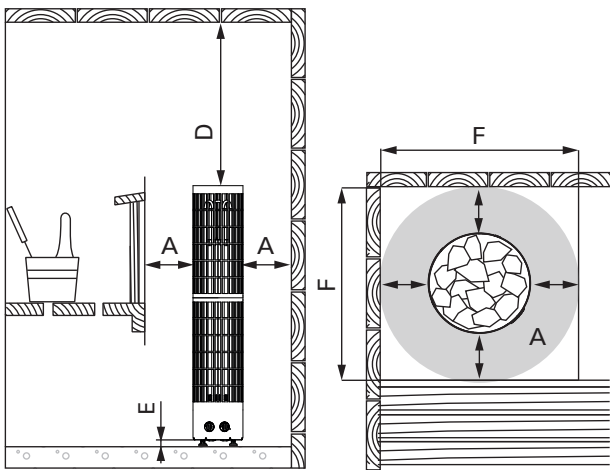
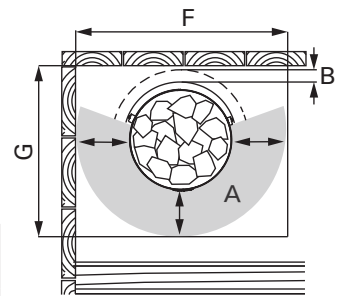
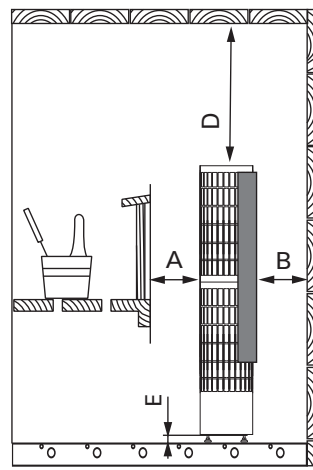


	min. mm							
	A	B	C	D	E		F	G
					3N~	1N~		
PC66	100	-	-	540	30	50	455	-
PC66E	100	30	60	540	30	50	455	405

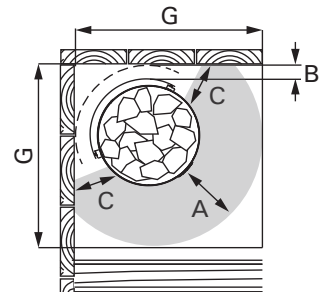
**- PC66**



**- PC66E  
- PC66 + protective sheath / schutzmantel**



**Symmetrical corner installation  
Eckinstallation beachten**



**Safety distances (all dimensions in millimeters)**