

# TRACKY TRACKLIGHT, DALI

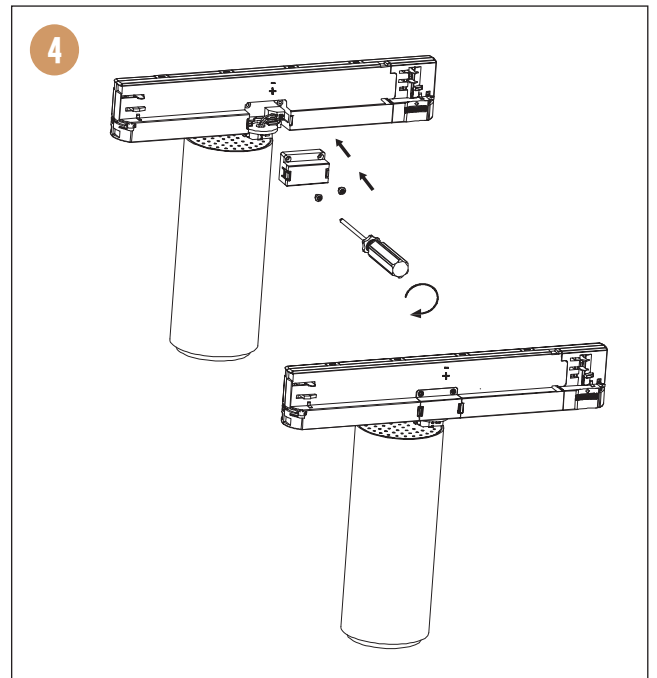
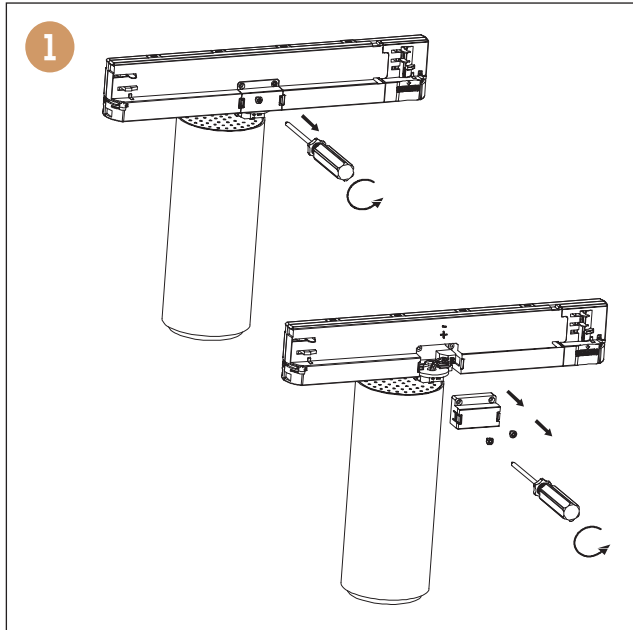
E-NR: 74 753 49  
E-NR: 74 753 51

ART NR: P-820B DALI  
ART NR: P-820MW DALI



## DEMONTÉRINGSANVISNING

### DEMONTERING



**DESIGNLIGHT**  
SCANDINAVIAN AB