

EN
FR
DE
ES
IT
NL
PT
DA
SV
FI
NO
RU
PL
CS
HU
RO
LV
LT
ET
HR
SL
SK
BG
UK
TR

RY36PWX41A





- Important!** It is essential that you read the instructions in this manual before assembling, maintaining and operating the product.
- Attention!** Il est essentiel que vous lisiez les instructions contenues dans ce manuel avant d'assembler, d'entretenir et d'utiliser le produit.
- Achtung!** Es ist wichtig, dass Sie vor Zusammenbau, Wartung und Benutzung des Produktes die Anweisungen in dieser Anleitung lesen.
- ¡Atención!** Resulta fundamental que lea este manual de instrucciones antes de realizar el montaje, el mantenimiento y de utilizar este producto
- Attenzione!** È importante leggere le istruzioni contenute nel presente manuale prima di montare il prodotto, svolgere le operazioni di manutenzione sullo stesso e metterlo in funzione.
- Let op!** Het is van essentieel belang dat u de instructies in deze gebruiksaanwijzing leest voor u het product monteert, onderhoudt en gebruikt.
- Atenção!** É fundamental que leia as instruções deste manual antes da montagem, manutenção e operação do aparelho.
- OBS!** Det er vigtigt, at man læser instrukserne i denne brugsanvisning, inden man samler, vedligeholder og betjener produktet.
- Observera!** Det är viktigt att du läser instruktionerna i manualen före montering, användning och underhåll av produkten.
- Huomio!** On tärkeää, että luet tämän käsikirjan ohjeet ennen tuotteen kokoamista, huoltoa ja käyttöä.
- Advarsel!** Det er viktig at du leser instruksjonene i denne manualen før sammensetning, vedlikehold og bruk av produktet
- Внимание!** Необходимо прочитать инструкции в данном руководстве перед сборкой, обслуживанием и эксплуатацией этого изделия.
- Uwaga!** Koniecznie należy przeczytać instrukcje zawarte w tym podręczniku przed montażem, obsługą oraz konserwacją produktu.
- Důležité upozornění!** Neinstalujte, neprovádějte údržbu ani nepoužívejte tento výrobek dříve, než si přečtete pokyny uvedené v tomto návodu.
- Figyelem!** Fontos, hogy a termék összeszerelése, karbantartása és használatá elött elolvassa a kézikönyvben található utasításokat.
- Atenție!** Este esențial să citiți instrucțiunile din acest manual înainte de asamblare, efectuarea întreținerii și operarea produsului.
- Uzmanību!** Ir svarīgi izlasīt šīs rokasgrāmatas instrukcijas pirms uzstādīšanas, apkopes un precas darbināšanas.
- Démesio!** Prieš surenkant, prižiūrint ir naudojant gaminį, būtina perskaityti šiam vadove pateiktus nurodymus.
- Tähtis!** Enne masina kokkupanekut, hooldamist ja kasutama hakkamist tuleb käesolevas juhendis esitatud juhised kindlasti läbi lugeda.
- Upozoreње!** Vrlo je važno da ste prije sklapanja, održavanja i rada s ovim proizvodom pročitali upute u ovom priručniku.
- Pomembno!** Pomembno je da pred montažo vzdrževanjem in uporabo tega izdelka preberete navodila v tem priročniku.
- Upozornenie!** Je dôležité, aby ste si pred montážou, údržbou a obsluhou produktu prečítali pokyny v tomto návode.
- Важно!** Исключительно важно е да прочетете инструкциите в настоящото ръководство, преди да преминете към сглобяване, поддръжка или работа с продукта.
- Важливо!** Дуже важливо, щоб ви прочитали інструкції в цьому керівництві перед складанням, обслуговуванням та експлуатацією цієї машини.
- Önemli!** Ürünü monte etmeden, kullanmadan ve bakımını yapmadan önce bu kılavuzdaki talimatları okumanız önemlidir.

Subject to technical modification | Sous réserve de modifications techniques | Technische Änderungen vorbehalten | Bajo reserva de modificaciones técnicas | Con riserva di eventuali modifiche tecniche | Technische wijzigingen voorbehouden | Com reserva de modificações técnicas | Med forbehold for tekniske ændringer | Med förbehåll för tekniska ändringar | Tekniset muutokset varataan | Med forbehold om tekniske ændringer | могут быть внесены технические изменения | Z zastrzeżeniem modyfikacji technicznych | Změny technických údajů vyhrazeny | A műszaki módosítás jogát fenntartjuk | Sub rezerva modificărilor tehnice | Paturam tiesības mainīt tehniskos raksturlielumus | Pasliiekant teisē daryti techninius pakeitimus | Tehnised muudatused võimalikud | Podloženo tehničkim promjenama | Tehnične spremembe dopuščene | Právo na technické zmeny je vyhradené | Подлежи на технически модификации | Є об'єктом для технічних змін | Teknik değışiklięe tabidir.



Safety, performance, and dependability have been given top priority in the design of your cordless power washer.

INTENDED USE

The cordless power washer is intended for outdoor use only.

The product is designed for home or domestic use. It is intended to clean patio furniture, windows, automobiles, and boats by removal of stubborn dirt using clean water with or without cleaning detergent.

The product should be used in well-illuminated conditions.

Use the designated accessory kits for the power washer when using it for any other purpose, such as spraying consumer-grade cleaning solutions and disinfectants.

Do not use the product for any other purpose.

⚠ WARNING! The product is designed for use with a neutral cleaning agent supplied or recommended by the manufacturer. The use of other cleaning agents or chemicals may adversely affect the safety of the product.

GENERAL SAFETY WARNINGS

⚠ WARNING! Read all safety warnings and all instructions. Failure to follow the warnings and instructions may result in electric shock, fire, and/or serious injury.

⚠ CAUTION! The product must not be used on a drinking water supply without a backflow preventer being installed that corresponds to EN 12729 Type BA. Water flowing through a backflow preventer is not considered drinkable. Do not connect the product to the public drinking water network.

- The product is not intended for use by children or persons with reduced physical, sensory, or mental capabilities, or lack of experience and knowledge. Children should be adequately supervised to ensure they do not play with the product.
- Wear personal protective equipment when operating the product, such as safety goggles and hearing protection.
- To reduce the risk of injury, keep children and bystanders away. All bystanders should wear safety glasses and be kept at a safe distance from the work area.

- Ensure that the safety devices are in good working condition. Make sure that all safety devices are operating properly before each use.

- Do not use the product if the important parts are damaged, such as safety devices or spray wand.

⚠ WARNING! During the use of the product, aerosols may be formed. Inhalation of aerosols can be hazardous to health. A respiratory mask of class FFP 2 or equivalent may be needed, depending on the cleaning environment

- Do not turn the nozzle while pulling the trigger. If the water is flowing while the nozzle is turned, the relief channel releases the water. This is not a leak, but allows the water to escape without damaging the tool.

- High-pressure jet is dangerous if misused. Do not direct the jet to people, live electronics, or the product itself.

- Do not direct the jet against yourself or others to clean clothes or footwear.

- Hoses, fittings, and couplings are important for the safety of the product. Use only hoses, fittings, and couplings that are recommended by the manufacturer.

- Some regions have regulations that restrict the use of the product in some operations. Check with your local authority for advice.

- Before each use, check for damage. Damaged hoses must be replaced immediately. Ensure that all connections, such as spray wand and nozzle, are secure. Unwind the hose properly so they may not get twisted or kinked.

- Before starting any cleaning operation, close doors and windows. Clear the area to be cleaned of debris, toys, outdoor furniture, or other objects that could create a hazard.

- Do not use the product in temperatures below 0°C.

- Do not use acids, alkaline, solvents, or industrial grade solutions in the product. These products can cause physical injuries to the operator and irreversible damage to the product.

⚠ WARNING! To avoid a risk of explosion, do not spray flammable liquids.

⚠ WARNING! High-pressure jet can be dangerous if subjected to misuse. The jet must not be directed to people, animals, electrical devices, or the product itself.

- Hold the handle securely with both hands. Expect the handle to move when the trigger is pulled due to reaction forces. Failure to do so could cause loss of control and injury to yourself and others.
- Exercise caution to avoid slipping or falling.
- Keep firm footing and balance. Do not overreach. Overreaching can result in loss of balance.
- Never leave the product running unattended. Turn off the product, and leave only when it comes to a complete stop. Keep the product out of reach of children when it is turned on.
- Be familiar with the controls. Know how to stop the product and bleed the pressure quickly.
- Stay alert, and exercise control. Watch what you are doing, and use common sense.
- Do not use the product while tired, ill, or under the influence of drugs, alcohol, or medication. A moment of inattention while operating the product may result in serious personal injury.
- Do not use the product if the switch does not turn it on and off. Any product that cannot be controlled with a switch is dangerous and must be repaired.
- Keep a minimum distance of 30 cm when cleaning vehicles. The high-pressure jet may damage or burst vehicle tires or tire valves.
- The product is not to be used if it has been dropped, if there are visible signs of damage, or if it is leaking.
- Injuries may be caused, or aggravated, by prolonged use of the product. When using the product for prolonged periods, ensure to take regular breaks.

BATTERY PACK SAFETY WARNINGS

- Recharge the battery pack only with the charger specified by the manufacturer. A charger that is suitable for one type of battery pack may create a risk of fire when used with another battery pack.
- When battery pack is not in use, keep it away from other metal objects, such as paper clips, coins, keys, nails, screws, or other small metal objects that can make a connection from one terminal to another. Shorting the battery pack terminals together may cause burns or a fire.

- Keep the battery pack and the charger away from wet and damp conditions.
- Use the product only with battery packs specified in this manual. Use of any other battery packs may create a risk of injury and fire.
- Under abusive conditions, liquid may be ejected from the battery pack; avoid contact. If contact accidentally occurs, flush with water. If liquid contacts eyes, seek medical help. Liquid ejected from the battery pack may cause irritation or burns.
- Do not dispose of battery packs together with household waste material. They must be collected separately and returned to an environmentally compatible recycling facility. Check with your local authority or retailer for recycling advice and collection point.
- The battery pack has overheat protection. Excessive temperatures will cause the battery to stop powering the product. If the battery pack is too warm, allow it to cool down before resuming operation. If the product still does not work, recharge the battery pack.

NOTE: The battery pack LED indicator will not work if the battery pack protection feature has caused the battery pack to stop powering the product. Release the on-off button or remove the battery pack from the product and the battery pack LED indicator will resume normal function.

ADDITIONAL BATTERY SAFETY WARNINGS

⚠ WARNING! Do not splash water to the product. It may damage the battery pack.

To reduce the risk of fire, personal injury, and product damage due to a short circuit, never immerse your tool, battery pack or charger in fluid or allow fluid to flow inside them. Corrosive or conductive fluids, such as seawater, certain industrial chemicals, and bleach, or bleach-containing products, etc., can cause a short circuit.

TRANSPORTATION AND STORAGE

- Stop the product, remove the battery pack, and allow the product to cool down. Disconnect the product from the water supply before storing or transporting.

- Remove water from all hoses and the pump, and empty the detergent tank before storing the product.
 - Neatly coil the siphon hose, and store it with the power washer.
 - Clean all foreign materials from the product. Store it in a cool, frost-free, dry, and well-ventilated place that is inaccessible to children. Do not store the product near the furnace or other sources of heat that could dry out the pump seals. Keep the product away from corrosive agents, such as garden chemicals and de-icing salts. Do not store the product outdoors.
 - For transportation in a vehicle, secure the product against movement or falling to prevent injury to persons or damage to the product.
- You may make adjustments or repairs described in this manual. For other repairs, contact an authorised service centre.
 - Regularly inspect and maintain the product for safe operation. Ensure that the battery compartment is properly assembled, tightly closed, and frequently check for damages. Any part that is damaged should be properly repaired or replaced by an authorised service centre.
 - If the product is to be stored unused for a long period, the batteries should be removed.

⚠ WARNING! Store the product indoors only. Storing in an area with temperature below 0° will damage the product.

TRANSPORTING LITHIUM BATTERIES

Transport the battery pack in accordance with local and national provisions and regulations.

Follow all special requirements on packaging and labelling when transporting batteries by a third party. Ensure that no batteries can come in contact with other batteries or conductive materials while in transport by protecting exposed connectors with insulating, non-conductive caps or tape. Do not transport batteries that are cracked or leaking. Check with the forwarding company for further advice.

MAINTENANCE

Use only original manufacturer's replacement parts, accessories, and attachments. Failure to do so can cause possible injury, can contribute to poor performance, and may void your warranty.

Servicing requires extreme care and knowledge and should be performed only by a qualified service technician. Have the product serviced by an authorised service centre only. When servicing, use only original replacement parts.

- Stop the product, remove the battery pack, and allow the product to cool down. Disconnect the product from the water supply:
 - before cleaning the product
 - before maintaining the product
 - before replacing spare parts

KNOW YOUR PRODUCT

See page 111.

1. Release button
2. Auxiliary handle collar
3. Auxiliary handle
4. Mode control selector
5. Low mode
6. Middle mode
7. High mode
8. Bucket clip
9. On/off trigger
10. Lock-out button
11. Handle
12. Battery compartment
13. Latch
14. 2L bottle adapter
15. Water inlet
16. Quick connector
17. Siphon hose
18. Floater
19. Filter
20. Metal wand
21. 3-in-1 nozzle
22. Operator's manual
23. Battery pack
24. Charger
25. RYOBI detergent

⚠ WARNING! Do not connect the 3-in-1 nozzle to the product using only the RAC764 pivoting adapter. Always use the included metal wand or an extension wand when using the pivoting adapter.

SAFETY DEVICES

- Lock-out button
 - The lock-out button locks the switch trigger and prevents unintentional opening of the high-pressure jet.

SYMBOLS ON THE PRODUCT



Warning



To reduce the risk of injury, read and understand the operator's manual before using the product.



Wear eye protection and appropriate respiratory mask.



The product is not suitable for connection to the drinking water supply without backflow preventer.



Never point the spray wand to human, animals, the body of the product, power supply, or any electrical appliances.



Do not expose the product to rain or damp conditions.



European Conformity Mark



British Conformity Mark



EurAsian Conformity Mark



Ukraine Conformity Mark

001

Do not dispose of waste electrical and electronic equipment as unsorted municipal waste. Waste electrical and electronic equipment must be collected separately. Waste light sources have to be removed from the equipment. Check with your local authority or retailer for recycling advice and collection point. According to local regulations, retailers may have an obligation to take back waste electrical and electronic equipment free of charge. Your contribution to the reuse and recycling of waste electrical and electronic equipment helps to reduce the demand of raw materials. Waste electrical and electronic equipment contain valuable and recyclable materials, which can adversely impact the environment and the human health if not disposed of in an environmentally compatible manner. Delete personal data from waste equipment, if any.



SYMBOLS IN THIS MANUAL



Parts or accessories sold separately



Note



Warning

Lors de la conception du nettoyeur haute pression sans fil, l'accent a été mis sur la sécurité, les performances et la fiabilité.

UTILISATION PRÉVUE

Le nettoyeur haute pression sans fil est exclusivement destiné à un usage extérieur.

Ce produit est destiné à un usage domestique ou privé. Destiné au nettoyage du mobilier de terrasse, des fenêtres, des automobiles et des bateaux, il assure l'élimination à l'eau propre des saletés tenaces, avec ou sans détergent.

Ce produit doit être utilisé dans un environnement bien éclairé.

Utilisez le kit d'accessoires dédié au nettoyeur haute pression lorsque vous l'utilisez à toute autre fin, comme pulvériser des désinfectants ou des solutions de nettoyage grand public.

Utilisez ce produit pour aucun autre travail.

⚠ AVERTISSEMENT! Ce produit est conçu pour une utilisation avec un agent nettoyant neutre fourni ou recommandé par le fabricant. L'utilisation d'autres produits nettoyants ou chimiques peut affecter la sécurité du produit.

AVERTISSEMENTS GÉNÉRAUX DE SÉCURITÉ

⚠ AVERTISSEMENT! Lisez tous les avertissements et indications. Le non-respect des avertissements et instructions peut entraîner un décharge électrique, un incendie et/ou de graves blessures.

⚠ ATTENTION! Le produit ne doit pas être utilisé sur l'alimentation en eau potable sans une valve anti-retour conforme à la norme EN 12729 type BA. Le flux d'eau traversant une valve anti-retour est considéré comme non potable. Ne connectez pas le produit aux canalisations d'eau potable publiques.

- Le produit n'est pas conçu pour une utilisation par des enfants ou des personnes avec une capacité physique, sensorielle ou mentale réduite, un manque d'expérience ou de connaissances. Les enfants doivent être bien surveillés afin de s'assurer qu'ils ne jouent pas avec le produit
- Portez un équipement de protection complet lors de l'utilisation du produit, comme des lunettes de sécurité et une protection auditive.
- Afin de réduire le risque de blessure, maintenez éloignés les enfants et les personnes se tenant dans le périmètre de travail. Tous les observateurs doivent porter des lunettes de

sécurité et respecter une distance de sécurité par rapport à la zone de travail.

- S'assurer que les dispositifs de sécurité sont en bon état de fonctionnement. Assurez-vous que tous les appareils de sécurité fonctionnent correctement avant chaque utilisation.
- N'utilisez pas le produit si des pièces importantes sont endommagées, comme des dispositifs de sécurité ou la lance de pulvérisation.

⚠ AVERTISSEMENT! Des aérosols peuvent se former lors de l'utilisation du produit. Inhaler les aérosols peut être dangereux pour la santé. Un masque de protection respiratoire de classe FFP 2 ou équivalent peut être nécessaire, selon l'environnement à nettoyer.

- Ne tournez pas l'embout tout en tirant le déclencheur. Si de l'eau s'écoule alors que l'embout est tourné, le canal de décharge libère le jet d'eau. Il ne s'agit pas d'une fuite, mais d'une sécurité pour permettre à l'eau de s'échapper sans endommager l'outil.

- Le jet à haute pression est dangereux s'il est mal utilisé. Ne dirigez pas le jet vers des personnes, des appareils électroniques en fonctionnement ou le produit lui-même.

- Ne dirigez pas le jet vers vous-même ou en direction des autres pour nettoyer des vêtements ou des chaussures.

- Les tuyaux, les fixations et couplages sont importants pour la sécurité du produit. Utilisez uniquement des tuyaux, des fixations et des couplages recommandés par le fabricant.

- La législation de certaines régions restreint l'utilisation du produit. Contactez les autorités locales pour obtenir des conseils.

- Vérifiez l'absence de dommages avant chaque utilisation. Les tuyaux endommagés doivent être remplacés immédiatement. Assurez-vous que toutes les connexions, telles que la lance de pulvérisation et l'embout, sont sécurisés. Déroulez correctement le tuyau de sorte à ce qu'il ne soit pas tordu ou plié.

- Avant de commencer le nettoyage, fermez les portes et les fenêtres. Enlevez de la zone à nettoyer la zone de tout débris, jouet, meuble d'extérieur ou autre objet pouvant représenter un risque.

- N'utilisez pas le produit à des températures inférieures à 0 °C

- N'utilisez pas d'acides, d'alcalins, de solvants, de matières inflammables, de produits de blanchiment ou de solutions

industrielles dans le produit. Ces produits peuvent causer des blessures physiques à l'opérateur et des dommages irréversibles au produit.

⚠ AVERTISSEMENT! Pour éviter un risque d'explosion, ne vaporisez pas des liquides inflammables.

⚠ AVERTISSEMENT! Le jet à haute pression peut être dangereux s'il est mal utilisé. Le jet ne doit pas être dirigé vers les personnes, les animaux, les appareils électriques ou le produit lui-même.

- Tenez fermement la poignée avec les deux mains. Ne pas oublier que la poignée va se déplacer lorsque l'on tire le déclencheur en raison des forces de réaction. Le non-respect de cette consigne peut entraîner une perte de contrôle et une blessure pour vous-même et les autres.
- Soyez prudent pour éviter de glisser ou de tomber.
- Gardez un bon appui et un bon équilibre. Ne pas se précipiter. Ne travaillez pas en extension, vous pourriez perdre l'équilibre.
- Ne jamais laisser le produit sans surveillance. Mettez le produit hors tension et ne le laissez sans surveillance qu'à partir du moment où il est complètement arrêté. Tenir le produit hors de portée des enfants lorsqu'il est sous tension.
- Familiarisez-vous avec les commandes. Sachez comment arrêter le produit et laisser rapidement la pression s'échapper.
- Soyez toujours vigilant et restez maître de votre outil. Regardez bien ce que vous faites et faites preuve de bon sens.
- Ne pas utiliser l'outil si vous êtes fatigué(e) ou si vous avez consommé des drogues, de l'alcool ou des médicaments. Un moment d'inattention lors de l'utilisation du produit peut provoquer de graves blessures.
- N'utilisez pas le produit si son interrupteur marche/arrêt est inopérant. Tout appareil qui ne peut pas être contrôlé par son interrupteur est dangereux et doit être réparé.
- Conserver une distance minimum de 30 cm lors du nettoyage des véhicules. Le jet à haute pression peut endommager ou faire éclater les pneus et/ou les valves des pneus.

- Le produit ne doit pas être utilisé après une chute, s'il présente des signes d'endommagement ou en cas de fuite.
- L'utilisation prolongée d'un outil est susceptible de provoquer ou d'aggraver des blessures. Lorsque vous utilisez le produit pendant de longues périodes, assurez-vous de faire des pauses régulières.

AVERTISSEMENTS DE SÉCURITÉ DU BLOC-DE BATTERIE

- Rechargez le bloc de batterie uniquement avec le chargeur spécifié par le fabricant. Un chargeur approprié à un type spécifique de batterie peut engendrer un risque d'incendie lorsqu'il est utilisé avec une autre batterie.
- Lorsqu'un bloc de batterie n'est pas utilisé, maintenez-le à l'écart de tout autre objet métallique, par exemple trombones, pièces de monnaie, clés, clous, vis ou autres objets de petite taille qui peuvent donner lieu à une connexion d'une borne à une autre. Un court-circuit entre les contacts de batterie peut provoquer des brûlures ou un incendie.
- Tenez le bloc de batterie et le chargeur éloignés de toute humidité.
- Utilisez le produit uniquement avec les blocs de batterie spécifiés dans ce manuel. L'utilisation de tout autre bloc de batterie peut entraîner des blessures et des risques d'incendie.
- En cas d'utilisation abusive, du liquide peut sortir du bloc de batterie. Évitez tout contact avec ce liquide. En cas de contact accidentel, rincez soigneusement avec de l'eau. En cas de contact avec les yeux, consultez également un médecin. Le liquide qui sort du bloc de batterie peut entraîner des irritations de la peau ou causer des brûlures.
- Ne jetez pas les blocs-batteries avec les ordures ménagères. Ils doivent être collectés séparément et renvoyés dans une installation de recyclage respectueuse de l'environnement. S'adresser aux autorités locales ou au détaillant spécialisé en vue de connaître l'emplacement des centres de recyclage et des points de collecte.
- Le bloc de batterie est équipé d'une protection contre les surchauffes. Une température excessive entraîne l'arrêt de l'alimentation de l'outil par la batterie. Si la batterie est trop chaude, laissez-la refroidir avant de reprendre l'utilisation. Si le produit ne fonctionne toujours pas, rechargez le bloc-batterie.

REMARQUE: Le témoin LED du bloc-batterie ne fonctionne pas si le mécanisme

de protection du bloc-batterie a fait en sorte que le bloc-batterie n'alimente plus le produit. Relâchez le bouton Marche/Arrêt ou retirez le bloc de batterie du produit et le voyant LED de la batterie reprend sa fonction normale.

MISES EN GARDE DE SÉCURITÉ SUPPLÉMENTAIRES CONCERNANT LA BATTERIE

⚠ AVERTISSEMENT! Ne projetez pas d'eau sur le produit Cela pourrait endommager le bloc de batterie.

Pour réduire le risque d'incendie, de blessures corporelles et de dommages causés par un court-circuit, n'immergez jamais l'outil, le bloc de batterie ou le chargeur dans un liquide ne laissez pas couler un fluide à l'intérieur de celui-ci Les fluides corrosifs ou conducteurs, tels que l'eau de mer, certains produits chimiques industriels, les produits de blanchiment ou contenant des agents de blanchiment etc. peuvent provoquer un court-circuit

TRANSPORT ET STOCKAGE

- Arrêtez le produit, retirez le bloc de batterie et laissez le produit refroidir. Déconnectez le produit de l'alimentation en eau avant le stockage ou le transport.
- Retirez l'eau de tous les tuyaux et de la pompe, videz le réservoir du détergent avant de stocker le produit.
- Enroulez proprement le tuyau de siphonnage et rangez-le avec le nettoyeur haute pression.
- Débarrassez l'appareil de tous les corps étrangers. Rangez-le dans un endroit frais, protégé du gel, sec et bien ventilé, hors de la portée des enfants. Ne rangez pas le produit à proximité d'une chaudière ou de toute autre source de chaleur susceptible d'assécher les joints de la pompe. Tenez le produit à l'écart des agents corrosifs tels que les produits chimiques pour le jardin et les sels de dégivrage. Ne rangez pas ranger le produit à l'extérieur.
- Pour le transport dans un véhicule, attachez le produit pour l'empêcher de bouger ou de tomber, afin d'éviter toute blessure et tout dommage matériel.

⚠ AVERTISSEMENT! Ranger le produit uniquement en intérieur. Stocker le produit dans une zone avec une température inférieure à 0° endommagerait le produit.

TRANSPORT DES BATTERIES AU LITHIUM

Transportez les batteries en conformité avec les dispositions et règlements locaux et nationaux.

Respectez toutes les exigences légales particulières concernant l'emballage et l'étiquetage des batteries lorsque vous confiez leur transport à un tiers. Assurez-vous qu'aucune batterie ne puisse entrer en contact avec une autre batterie ou avec des matériaux conducteurs lors de son transport en isolant les bornes électriques avec du ruban adhésif ou des capuchons isolants non conducteurs. Ne transportez pas une batterie qui serait fendue ou qui fuirait. Demandez conseil au transporteur pour de plus amples informations.

ENTRETIEN

N'utilisez que des pièces détachées et des accessoires d'origine constructeur. Le non respect de cette précaution peut entraîner de mauvaises performances, des blessures, et annuler votre garantie.

Les réparations demandent un soin et des connaissances extrêmes et ne doivent être effectuées que par un technicien de service qualifié. Confiez l'entretien du produit à un centre de service agréé. N'utilisez que des pièces détachées d'origine constructeur pour les opérations d'entretien.

- Arrêtez le produit, retirez le bloc de batterie et laissez le produit refroidir. Débranchez le produit de l'alimentation en eau :
 - avant de nettoyer le produit
 - avant de procéder à l'entretien du produit
 - avant de remplacer des pièces de rechange
- Vous n'êtes autorisé à effectuer que les réglages et réparations décrits dans ce manuel. Pour d'autres réparations ou conseils, faites vous assister par un service après-vente agréé.
- Vérifiez régulièrement le bon fonctionnement du produit et réalisez son entretien Vérifiez que le compartiment de la batterie est correctement assemblé et bien fermé. Vérifiez fréquemment l'absence de dommages Toute pièce endommagée doit être correctement remplacée ou réparée par un centre de service agréé.
- Si le produit doit être entreposé, sans aucune utilisation prévue pendant une longue période, les batteries doivent être retirées.

APPRENEZ À CONNAÎTRE VOTRE PRODUIT

Voir page 111.

1. Bouton de déverrouillage
2. Manchon de la poignée auxiliaire
3. Poignée auxiliaire
4. Mode sélecteur de commande
5. Mode Vitesse lente
6. Mode intermédiaire
7. Mode Vitesse élevée
8. Attache
9. Gâchette Marche/Arrêt
10. Bouton de verrouillage
11. Poignée
12. Compartiment de la batterie
13. Loquet
14. Adaptateur de bouteille
15. Entrée d'eau
16. Raccord rapide
17. Tuyau de siphon
18. Flotteur
19. Filtre
20. Tube métallique
21. Embout 3 en 1
22. Manuel utilisateur
23. Bloc de batterie
24. Chargeur
25. Détergent RYOBI

⚠ AVERTISSEMENT! Ne branchez pas l'embout 3 en 1 au produit en utilisant uniquement l'adaptateur pivotant RAC764. Utilisez toujours le tube métallique inclus ou un tube d'extension lorsque vous utilisez l'adaptateur pivotant.

ÉLÉMENTS DE SÉCURITÉ

- Bouton de verrouillage
 - Le bouton de verrouillage bloque le déclencheur et empêche toute ouverture accidentelle du jet sous haute pression.

SYMBOLES APPLIQUÉS SUR LE PRODUIT



Avertissement



Afin de réduire les risques de blessures, il est indispensable de bien lire et de bien comprendre le présent manuel d'utilisation avant d'utiliser cet outil.



Portez une protection oculaire et un masque respiratoire adéquat.



Le produit n'est pas adapté pour être raccordé à la source d'alimentation en eau potable sans dispositif anti-reflux.



Ne pointez jamais la lance de pulvérisation vers des personnes, des animaux, le corps de la machine, l'alimentation électrique ou tout autre appareil électrique.



Ne pas exposer à la pluie ou à des conditions humides.



Marque de conformité européenne



Marque de conformité britannique



Marque de conformité d'Eurasie



001

Marque de conformité ukrainienne

Ne jetez pas les déchets d'équipements électriques et électroniques parmi les déchets municipaux non triés. Les déchets d'équipements électriques et électroniques doivent être collectés séparément. Les sources lumineuses usagées doivent être retirées de l'équipement. S'adresser aux autorités locales ou au détaillant spécialisé en vue de connaître l'emplacement des centres de recyclage et des points de collecte. Selon les réglementations locales, les détaillants peuvent avoir l'obligation de récupérer gratuitement les déchets d'équipements électriques et électroniques. Votre contribution à la réutilisation et au recyclage des déchets d'équipements électriques et électroniques permet de réduire la demande en matières premières. Les déchets d'équipements électriques et électroniques contiennent des matériaux précieux et recyclables, qui peuvent avoir un impact négatif sur l'environnement et la santé humaine s'ils ne sont pas éliminés de manière respectueuse de l'environnement. Supprimer les données personnelles de l'équipement usagé, le cas échéant.



SYMBOLES DE CE MANUEL



Pièces détachées et accessoires vendus séparément



Remarque



Avertissement

EN
FR
DE
ES
IT
NL
PT
DA
SV
FI
NO
RU
PL
CS
HU
RO
LV
LT
ET
HR
SL
SK
BG
UK
TR

Sicherheit, Leistung und Zuverlässigkeit hatten oberste Priorität bei der Entwicklung Ihres Akku-Mitteldruckreiniger.

BESTIMMUNGSGEMÄSSE VERWENDUNG

Der Akku-Mitteldruckreiniger ist ausschließlich zur Nutzung im Freien geeignet.

Dieses Produkt wurde für den Hausgebrauch entwickelt. Er ist dazu vorgesehen, Terrassenmöbel, Fenster, Autos und Boote unter Nutzung von sauberem Wasser mit oder ohne Reinigungsmittel von hartnäckigem Schmutz zu befreien.

Das Gerät sollte in einer gut beleuchteten Umgebung genutzt werden.

Verwenden Sie die vorgesehenen Zubehörsätze für den Hochdruckreiniger, wenn Sie ihn für andere Zwecke verwenden, z. B. zum Versprühen von Reinigungslösungen und Desinfektionsmitteln für den Privatgebrauch.

Das Produkt darf zu keinen anderen Zwecken verwendet werden.

⚠️ WARNUNG! Das Gerät wurde zur Nutzung mit einem neutralen vom Hersteller angebotenen oder empfohlenen Reinigungsmittel entwickelt. Die Nutzung anderer Reinigungsmittel oder Chemikalien kann sich negativ auf die Sicherheit des Geräts auswirken.

ALLGEMEINE SICHERHEITSWARNUNGEN

⚠️ WARNUNG! Lesen Sie alle **Sicherheitshinweise und Anweisungen**. Versäumnisse bei der Einhaltung der Sicherheitshinweise und Anweisungen können elektrischen Schlag, Brand und/oder schwere Verletzungen verursachen.

⚠️ VORSICHT! Das Gerät darf nur dann an eine Trinkwasserversorgung angeschlossen werden, wenn ein Rückflussverhinderer gemäß EN 12729 Type BA installiert ist. Wasser, das durch einen Rückflussverhinderer fließt, gilt nicht als trinkbar. Schließen Sie das Gerät nicht an die öffentliche Wasserversorgung an.

■ Das Gerät wurde nicht zur Nutzung durch Kinder oder Personen mit eingeschränkten körperlichen, Sinnes- oder geistigen Fähigkeiten oder Personen mit mangelnder Erfahrung und Kenntnis entwickelt. Kinder müssen ausreichend beaufsichtigt werden, so dass gewährleistet ist, dass sie nicht mit dem Produkt spielen.

■ Tragen Sie beim Bedienen dieses Geräts persönliche Schutzausrüstung, z. B. Schutzbrille und Gehörschutz.

■ Halten Sie Kinder und Zuschauer fern, um das Verletzungsrisiko zu verringern. Alle Zuschauer sollten eine Schutzbrille tragen und sicheren Abstand zum Arbeitsbereich halten.

■ Stellen Sie sicher, dass die Schutzvorrichtungen in gutem Zustand sind. Stellen Sie vor jeder Nutzung sicher, dass alle diese Sicherheitsvorrichtungen korrekt funktionieren.

■ Nutzen Sie das Gerät nicht, wenn wichtige Teile, beispielsweise Sicherheitsvorrichtungen oder der Sprühstab, beschädigt sind.

⚠️ WARNUNG! Beim Einsatz des Produkts können Aerosole entstehen. Das Inhalieren von Aerosolen kann gesundheitsschädlich sein. Je nach Umgebung des Reinigungsvorgangs kann das Tragen einer Atemschutzmaske nach Klasse FFP 2 oder gleichwertig erforderlich sein.

■ Drehen Sie die Sprühdüse nicht bei gedrücktem Ein-Ausschalter. Wenn bei gedrehter Sprühdüse Wasser fließt, wird es durch den Entlastungskanal abgeleitet. Dies ist kein Leck, sondern dient dazu das Wasser abzuführen ohne das Gerät zu beschädigen.

■ Der Hochdruckstrahl ist bei Missbrauch gefährlich. Richten Sie den Strahl nicht auf Menschen, angeschlossene Elektrogeräte oder das Gerät selbst.

■ Richten Sie den Strahl nicht direkt gegen sich selbst oder gegen andere Personen, um etwa Kleidung oder Schuhe zu reinigen.

■ Die Schläuche, Armaturen und Verbinder sind wichtig für die Sicherheit des Geräts. Nutzen Sie nur die vom Hersteller empfohlenen Schläuche, Armaturen und Verbindungsstücke.

■ In einigen Regionen können Vorschriften die Benutzung dieses Produkts einschränken. Lassen Sie sich von Ihrer örtlichen Behörde beraten.

■ Prüfen Sie das Gerät vor jeder Nutzung auf Beschädigungen. Beschädigte Schläuche müssen unverzüglich ersetzt werden. Stellen Sie sicher, dass alle Verbindungen, beispielsweise Sprühlanze und -düse, sicher sind. Rollen Sie den Schlauch

ordentlich ab, so dass er sich nicht verdreht oder knickt.

- Schließen Sie vor der Reinigung Türen und Fenster. Entfernen Sie Schutt, Spielzeug, Gartenmöbel und andere Gegenstände, die zu einer Gefahr werden können, vom zu reinigenden Bereich.
- Nutzen Sie das Gerät nicht bei Temperaturen unter 0 °C.
- Nutzen Sie das Gerät nicht mit Säuren, Laugen, Lösemitteln oder Industrielösungen. Diese Flüssigkeiten können zu Verletzungen des Bedieners und unwiderruflichen Beschädigungen des Geräts führen.

⚠️ WARNUNG! Um ein Explosionsrisiko zu verhindern, versprühen Sie keine entzündlichen Flüssigkeiten.

⚠️ WARNUNG! Der Hochdruckstrahl kann bei Missbrauch gefährlich sein. Der Strahl darf nicht auf Personen, Tiere, aktive elektrische Ausrüstung oder die Maschine selbst gerichtet werden.

- Halten Sie den Griff mit beiden Händen fest. Gehen Sie davon aus, dass sich der Handgriff aufgrund der Reaktion bewegt, wenn die Auslösertaste gedrückt wird. Wenn der Bediener dies nicht erwartet, kann er die Kontrolle verlieren; dies kann dazu führen, dass der Bediener und andere Personen verletzt werden.
- Achten Sie darauf, nicht zu rutschen oder zu fallen.
- Sorgen Sie für einen sicheren Stand und halten Sie das Gleichgewicht. Vermeiden Sie eine abnormale Körperhaltung. Eine abnormale Körperhaltung kann zu Gleichgewichtsverlust führen.
- Lassen Sie das Produkt nicht unbeaufsichtigt in Betrieb. Schalten Sie das Gerät aus und gehen Sie erst fort, wenn es vollständig stillsteht. Halten Sie das eingeschaltete Gerät außerhalb der Reichweite von Kindern.
- Machen Sie sich mit den Bedienelementen vertraut. Sie müssen wissen, wie das Gerät stoppt und wie kurzfristig Druck reduziert werden kann.
- Bleiben Sie aufmerksam und behalten Sie die Kontrolle. Achten Sie auf das, was sie tun, und setzen Sie Ihren gesunden Menschenverstand ein.

- Bedienen Sie das Gerät nicht, wenn Sie müde oder krank sind oder unter dem Einfluss von Alkohol, Drogen oder Medikamenten stehen. Ein kurzer Moment der Unachtsamkeit bei der Verwendung eines Produktes kann zu schweren Verletzungen führen.
- Benutzen Sie kein Produkt, dessen Schalter defekt ist. Ein Elektrowerkzeug, das sich nicht mehr ein- oder ausschalten lässt, ist gefährlich und muss repariert werden.
- Halten Sie beim Reinigen von Fahrzeugen einen Mindestabstand von 30 cm ein. Der Hochdruckstrahl kann die Reifen und/oder die Reifenventile von Fahrzeugen beschädigen oder zum Platzen bringen.
- Das Gerät darf bei sichtbaren Zeichen von Beschädigungen, bei einem Leck und nach einem Aufschlagen auf dem Boden nicht verwendet werden.
- Verletzungen können durch lange Benutzung eines Produkts entstehen oder verschlimmert werden. Wenn Sie das Gerät über einen längeren Zeitraum nutzen, stellen Sie regelmäßige Pausen sicher.

SICHERHEITSHINWEISE ZUM AKKU

- Laden Sie den Akku ausschließlich mit dem vom Hersteller angegebenen Ladegerät auf. Für ein Ladegerät, das für eine bestimmte Art von Akkus geeignet ist, besteht Brandgefahr, wenn es mit anderen Akkus verwendet wird.
- Halten Sie Akkus, die nicht benutzt werden, von anderen Metallobjekten wie Büroklammern, Münzen, Schlüsseln, Nägeln, Schrauben oder anderen kleinen Metallobjekten, die eine Verbindung zwischen den Polen herstellen könnten, fern. Ein Kurzschluss zwischen den Akkukontakten kann Verbrennungen oder Feuer zur Folge haben.
- Schützen Sie den Akku und das Ladegerät vor Feuchtigkeit und Nässe.
- Nutzen Sie das Gerät nur mit dem in dieser Bedienungsanleitung angegebenen Akku. Der Gebrauch von anderen Akkus kann zu Verletzungen und Brandgefahr führen.
- Bei falscher Anwendung kann Flüssigkeit aus dem Akku austreten; vermeiden Sie den Kontakt damit. Bei zufälligem Kontakt mit Wasser abspülen. Wenn die Flüssigkeit in die Augen kommt, nehmen Sie zusätzlich ärztliche Hilfe in Anspruch. Austretende

Akkufflüssigkeit kann zu Hautreizungen oder Verbrennungen führen.

- Entsorgen Sie Akkus nicht zusammen mit dem Hausmüll. Sie müssen separat gesammelt und an eine umweltgerechte Recyclingeinrichtung zurückgegeben werden. Erkundigen Sie sich bei den örtlichen Behörden oder bei Ihrem Fachhändler nach Recyclinghöfen und Sammelstellen.
- Der Akkupack verfügt über einen Überhitzungsschutz. Sehr hohe Temperaturen bewirken, dass der Akku das Werkzeug nicht länger mit Strom versorgt. Wenn der Akku zu warm ist, lassen Sie ihn abkühlen, bevor Sie das Gerät wieder einschalten. Wenn das Gerät weiterhin nicht funktioniert, laden Sie den Akkupack.

HINWEIS: Die LED-Anzeige des Akkupacks funktioniert nicht, wenn die Schutzfunktion des Akkupacks ein weiteres Betreiben des Geräts durch den Akkupack verhindert. Lassen Sie den Ein/Aus-Schalter los oder entfernen Sie den Akku aus dem Gerät, dann nimmt die LED-Anzeige für den Akku die normale Funktion wieder auf.

WEITERE SICHERHEITSHINWEISE ZUM AKKU

⚠ WARNUNG! Spritzen Sie kein Wasser auf das Gerät. Dies kann den Akku beschädigen.

Um die durch einen Kurzschluss verursachte Gefahr eines Brandes, von Verletzungen oder Produktbeschädigungen zu vermeiden, tauchen Sie das Werkzeug, den Wechselakku oder das Ladegerät nicht in Flüssigkeiten ein und sorgen Sie dafür, dass keine Flüssigkeiten in die Geräte und Akkus eindringen. Korrodierende oder leitfähige Flüssigkeiten, wie Salzwasser, bestimmte Chemikalien und Bleichmittel oder Produkte, die Bleichmittel enthalten, können einen Kurzschluss verursachen.

TRANSPORT UND LAGERUNG

- Schalten Sie das Gerät aus, entnehmen Sie den Akku und lassen Sie das Gerät abkühlen. Trennen Sie vor Lagerung und Transport die Verbindung zur Wasserversorgung.
- Lassen Sie vor dem Lagern des Geräts das Wasser aus allen Schläuchen und der Pumpe ab und leeren Sie den Reinigungsmitteltank.

- Rollen Sie den Siphonschlauch ordentlich auf und bewahren Sie ihn beim Hochdruckreiniger auf.

- Entfernen Sie alle Fremdkörper vom Produkt. Bewahren Sie das Gerät an einem kühlen, frostfreien, trockenen und gut belüfteten Platz auf, der für Kinder unzugänglich ist. Lagern Sie das Gerät nicht in der Nähe eines Ofens oder anderer Quellen für Hitze, die die Pumpendichtungen austrocknen könnte. Halten Sie das Produkt von ätzenden Mitteln wie Gartenchemikalien und Streusalz fern. Lagern Sie das Gerät nicht im Freien.

- Sichern Sie das Produkt beim Transport in einem Fahrzeug gegen Bewegung oder Herunterfallen, um Verletzungen an Personen und Beschädigung des Produkts zu verhindern.

⚠ WARNUNG! Das Gerät muss in einem Innenraum eingelagert werden. Wenn das Produkt in einem Bereich mit einer Temperatur unter 0° eingelagert wird, wird es beschädigt.

TRANSPORT VON LITHIUM-IONEN- AKKUS

Transportieren Sie Akkus gemäß Ihren örtlichen und nationalen Bestimmungen und Regeln.

Befolgen Sie alle besonderen Anforderungen für Verpackung und Beschriftung, wenn Sie Akkus von Dritten transportieren lassen. Stellen Sie sicher, dass beim Transport kein Akku in Kontakt mit anderen Akkus oder leitenden Materialien kommt, indem Sie die freien Anschlüsse mit Isolierband, nichtleitenden Kappen oder Klebeband schützen. Beschädigte oder auslaufende Akkus dürfen nicht transportiert werden. Weitere Informationen erhalten Sie bei Ihrem Transportunternehmen.

WARTUNG UND PFLEGE

Verwenden Sie ausschließlich original Ersatzteile, Zubehör und Aufsätze des Herstellers. Nichtbefolgung kann mögliche Verletzungen oder schlechte Leistung verursachen und Ihre Garantie ungültig machen.

Service und Wartung des Gerätes erfordert besonderen Sorgfalt und Kenntnisstand und sollte nur durch qualifiziertes Personal durchgeführt werden. Lassen Sie das Gerät nur von einem autorisierten Servicecenter

warten. Beim Service dürfen Sie nur originale Ersatzteile benutzen.

- Schalten Sie das Gerät aus, entnehmen Sie den Akku und lassen Sie das Gerät abkühlen. Trennen Sie die Verbindung zur Wasserversorgung:
 - Vor dem Reinigen des Geräts
 - Vor dem Warten des Geräts
 - Vor dem Auswechseln von Teilen
- Sie dürfen nur die in dieser Bedienungsanleitung beschriebenen Einstellungen oder Reparaturen durchführen. Kontaktieren Sie Ihren autorisierten Kundendienst für andere Reparaturen.
- Prüfen Sie das Gerät zwecks sicherem Betrieb regelmäßig und führen Sie Wartungsarbeiten durch. Stellen Sie sicher, dass das Akkufach korrekt montiert und fest geschlossen ist, und überprüfen Sie es des Öfteren auf Schäden. Jedes beschädigte Teil muss durch den autorisierten Kundendienst ordnungsgemäß repariert oder ausgetauscht werden.
- Wenn das Gerät längere Zeit nicht benutzt wird, sollte der Akku entfernt werden.

MACHEN SIE SICH MIT IHREM PRODUKT VERTRAUT

Siehe Seite 111.

1. Entriegelungsknopf
2. Aufnahme Zusatzhandgriff
3. Zusatzhandgriff
4. Betriebsartwähler
5. Schwacher Modus
6. Mittlerer Modus
7. Starker Modus
8. Eimerklemme
9. Ein- / Ausschalter
10. Verriegelungstaste
11. Griff
12. Akkufach
13. Verschluss
14. Adapter für 2l-Flaschen
15. Wassereinlauf / Zuflußöffnung
16. Schnellverbindungskupplung
17. Anschlußschlauch
18. Schwimmer
19. Filter
20. Metallanze
21. 3-in-1-Düse
22. Bedienungsanleitung
23. Akkupack
24. Ladegerät
25. RYOBI Reinigungsmittel

⚠️ WARNUNG! Schließen Sie die 3-in-1-Düse nicht an das Produkt an, wenn Sie nur den RAC764-Schwenkadapter verwenden. Verwenden Sie immer das mitgelieferte Metallrohr oder ein Verlängerungsrohr, wenn Sie den schwenkbaren Adapter verwenden.

SCHUTZVORRICHTUNGEN

- Einschaltsperrung
 - Die Einschaltsperrung sperrt den Ein-Ausschalter und verhindert ein unbeabsichtigtes Öffnen des Wasserstrahls.

SYMBOLE AUF DEM PRODUKT



Warnung

Um das Risiko von Verletzungen zu minimieren, muss der Benutzer die Bedienungsanleitung lesen und verstehen bevor er dieses Produkt benutzt.



Tragen Sie einen Augenschutz und eine geeignete Atemschutzmaske.



Das Gerät ist ohne Rückstausicherung nicht zum Anschließen an die Trinkwasserversorgung geeignet.



Richten Sie die Sprühlanze niemals auf Menschen, Tiere, das Gerät, die Stromversorgung oder andere elektrische Geräte.



Nicht Regen oder feuchten Bedingungen aussetzen.



Europäisches Konformitätskennzeichen



Britisches Konformitätskennzeichen



EurAsian
Konformitätszeichen



Ukrainisches
Konformitätskennzeichen



Entsorgen Sie Elektro- und Elektronik-Altgeräte nicht als unsortierten Siedlungsabfall. Elektro- und Elektronikaltgeräte müssen getrennt gesammelt werden. Alte Lichtquellen müssen aus den Geräten entfernt werden. Erkundigen Sie sich bei den örtlichen Behörden oder bei Ihrem Fachhändler nach Recyclinghöfen und Sammelstellen. Je nach den örtlichen Vorschriften können Einzelhändler dazu verpflichtet sein, Elektro- und Elektronik-Altgeräte kostenlos zurückzunehmen. Ihr Beitrag zur Wiederverwendung und zum Recycling von Elektro- und Elektronikaltgeräten trägt dazu bei, den Bedarf an Rohstoffen zu verringern. Elektro- und Elektronik-Altgeräte enthalten wertvolle und wiederverwertbare Materialien, die sich negativ auf die Umwelt und die menschliche Gesundheit auswirken können, wenn sie nicht auf umweltverträgliche Weise entsorgt werden. Löschen Sie ggf. personenbezogene Daten aus Altgeräten.

SYMBOLS IN DIESER BEDIENUNGSANLEITUNG



Teile oder Zubehör getrennt
erhältlich



Hinweis



Warnung

La seguridad, el rendimiento y la fiabilidad han sido las máximas prioridades a la hora de diseñar este limpiador eléctrico inalámbrico.

USO PREVISTO

El limpiador eléctrico inalámbrico está diseñado exclusivamente para su uso al aire libre.

El producto está diseñado para uso doméstico. Está diseñado para limpiar muebles exteriores, ventanas, automóviles o embarcaciones al eliminar la suciedad más incrustada mediante el uso de agua limpia, con o sin detergente.

El producto se debe utilizar en condiciones de buena iluminación.

Utilice los kits de accesorios designados para el limpiador eléctrico cuando lo utilice con cualquier otro fin, como la pulverización de soluciones de limpieza y desinfectantes de uso doméstico.

No la use para ninguna otra finalidad.

⚠ ¡ADVERTENCIA! El producto está diseñado para usarse con un agente limpiador neutro suministrado o recomendado por el fabricante. El uso de otros agentes limpiadores o productos químicos podría afectar negativamente a la seguridad del producto.

ALERTA DE SEGURIDAD GENERAL

⚠ ¡ADVERTENCIA! Lea todas las advertencias de peligro e instrucciones. El incumplimiento de las advertencias e instrucciones puede provocar descargas eléctricas, incendios y/o lesiones graves.

⚠ ¡ADVERTENCIA! El producto no debe usarse en el suministro de agua potable sin haber instalado un supresor de reflujo correspondiente a EN 12729 Tipo BA. El agua que fluye a través de un supresor de reflujo no se considera potable. No conecte el producto a la red pública de agua potable.

- El producto no está diseñado para que lo usen niños ni personas con capacidades físicas, sensoriales o mentales reducidas o con falta de experiencia y conocimientos. Los niños deben estar adecuadamente supervisados para asegurarse de que no juegan con el producto.
- Use un equipo de protección individual completo cuando utilice el producto, como gafas de protección y protecciones auditivas.
- Para reducir el riesgo de lesiones, mantenga a los niños y a los transeúntes alejados. Todas las personas que se encuentren cerca de la zona de trabajo deben utilizar

gafas de seguridad y mantener una distancia segura.

- Asegúrese de que los dispositivos de seguridad estén en buen estado de funcionamiento. Asegúrese de que todos los dispositivos de seguridad funcionan correctamente antes de cada uso.
- No use el producto si hay piezas importantes dañadas, tales como dispositivos de seguridad o la lanza de pulverización.
- ⚠ **¡ADVERTENCIA!** Es posible que se formen aerosoles al utilizar el producto. La inhalación de aerosoles puede ser perjudicial para la salud. Puede que sea necesario utilizar una mascarilla respiratoria de clase FFP 2 o equivalente, dependiendo del entorno de limpieza.
- No gire la boquilla mientras acciona el gatillo. Si hay flujo de agua mientras se gira la boquilla, el canal de descarga liberará el agua. No se trata de una fuga, sino que permite la salida del agua sin dañar la herramienta.
- Un chorro a alta presión es peligroso si no se usa bien. No dirija el chorro hacia personas, equipos eléctricos con corriente ni hacia el propio producto.
- No utilice el chorro para limpiar ni su ropa ni sus zapatos, ni los de otra persona.
- Las mangueras, accesorios y acoplamientos son importantes para la seguridad del producto. Use solo mangueras, accesorios y acoplamientos recomendados por el fabricante.
- Algunas regiones tienen normas que limitan el uso del producto. Consulte con su autoridad local para obtener información.
- Antes de cada uso, compruebe que no haya daños. Las mangueras dañadas se deben sustituir de forma inmediata. Asegúrese de que todas las conexiones, como la lanza de pulverización y la boquilla, estén seguras. Desenrolle la manguera correctamente para que no se enrede o retuerza.
- Antes de comenzar la operación de limpieza, cierre puertas y ventanas. Despeje la zona que se vaya a limpiar de basura, juguetes, mobiliario de exterior u otros objetos que podrían suponer un peligro.
- No use el producto a temperaturas por debajo de 0°C.
- No use disolventes ácidos ni alcalinos, ni soluciones de grado industrial para el producto. Tales productos pueden provocar lesiones físicas al usuario y daños irreversibles al producto.

EN

FR

DE

ES

IT

NL

PT

DA

SV

FI

NO

RU

PL

CS

HU

RO

LV

LT

ET

HR

SL

SK

BG

UK

TR

⚠ **¡ADVERTENCIA!** Para evitar riesgos de explosión, no pulverice líquidos inflamables.

⚠ **¡ADVERTENCIA!** Un chorro a alta presión puede ser peligroso si se somete a un mal uso. El chorro no debe dirigirse hacia personas, animales, dispositivos eléctricos o el propio producto.

- Sostenga el mango firmemente con ambas manos. El mango se desplaza cuando se tira del gatillo debido a fuerzas de reacción. Si esto no ocurre, podría producirse una pérdida de control y lesionarse usted o a otros.
- Tenga precaución para evitar resbalar o caerse.
- Mantenga su pisada firme y su equilibrio. No se extienda demasiado. Si lo hace, podrá perder el equilibrio.
- Nunca deje el producto en marcha sin supervisión. Apague el producto y suéltelo únicamente cuando se haya detenido por completo. Mantenga el producto alejado de los niños cuando esté encendido.
- Familiarícese con los controles. Sepa cómo detener el producto y purgar la presión rápidamente.
- Esté siempre atento y controle su herramienta. Fíjese bien en lo que está haciendo y actúe con sentido común.
- No utilice el producto si está cansado, enfermo o bajo la influencia de drogas, alcohol o medicamentos. En un momento de descuido, mientras utiliza el producto podrían ocurrir lesiones personales graves.
- No utilice el aparato en caso de que el interruptor no encienda ni apague el aparato. Cualquier producto que no puede ser controlada con el interruptor de encendido es peligroso y debe ser reparado.
- Mantenga una distancia mínima de 30 cm cuando limpie vehículos. El chorro de alta presión puede dañar o reventar neumáticos del vehículo o las válvulas de los neumáticos.
- No se debe utilizar el producto si se ha caído, si se observan signos visibles de daños o si tiene una fuga.
- El uso prolongado de una herramienta puede causar o agravar lesiones. Si utiliza el producto durante periodos de tiempo prolongados, asegúrese de realizar pausas de forma periódica.

ADVERTENCIAS DE SEGURIDAD DE LA BATERÍA

- Recargue la batería únicamente con el cargador especificado por el fabricante.

Podría haber un riesgo de incendio cuando se utilice un cargador con una batería para la que no está diseñado.

- Cuando la batería no está en uso, manténgala alejada de otros objetos metálicos como clips, monedas, llaves, clavos, tornillos u otros objetos metálicos pequeños que puedan crear una conexión desde una terminal a otra. Causar un cortocircuito en los terminales de la batería puede causar quemaduras o un incendio.
 - Mantenga la batería y el cargador lejos de condiciones húmedas.
 - Use el producto solo con las baterías especificadas en este manual. Utilizar cualquier otro tipo de baterías puede causar lesiones o un riesgo de incendio.
 - En condiciones abusivas, podría salir expulsado líquido de la batería, por lo que debería evitar el contacto con éste. Si se produce un contacto accidental, enjuáguese las manos con agua. Si el líquido entra en contacto con los ojos, acuda inmediatamente al médico. Si el líquido es expulsado de la batería y entra en contacto con él, podría causar irritación o quemaduras.
 - No deseche las baterías junto a los residuos domésticos. Se deben clasificar por separado y entregar a un centro de reciclado respetuoso con el medio ambiente. Consulte con las autoridades locales o su distribuidor local para recibir asesoramiento sobre el reciclado y el punto de recogida.
 - La batería tiene protección contra el sobrecalentamiento. Una temperatura excesiva hará que la batería deje de alimentar a la herramienta. Si la batería está demasiado caliente, deje que se enfríe antes de reanudar el uso del producto. Si el producto sigue sin funcionar, recargue la batería.
- NOTA:** El indicador LED de la batería no funcionará si la función de protección de la batería ha provocado que la batería deje de proporcionar alimentación al producto. Suelte el botón de encendido/apagado o quite la batería del producto y el indicador LED de la batería volverá al funcionamiento normal.

ADVERTENCIAS DE SEGURIDAD DE LA BATERÍA ADICIONAL

⚠ **¡ADVERTENCIA!** No permita que el producto reciba salpicaduras de agua. Esto podría dañar la batería.

Para reducir el riesgo de incendio, lesión personales y daños al producto debido a un

cortocircuito, no sumerja nunca la herramienta, el paquete de baterías o el cargador en líquido ni permita que fluya un fluido dentro de ellos. Los fluidos corrosivos o conductivos, como el agua de mar, ciertos productos químicos industriales y blanqueadores o lejías que contienen, etc., Pueden causar un cortocircuito.

TRANSPORTE Y ALMACENAMIENTO

- Detenga el producto, extraiga la batería, y deje que se enfríe. Desconecte el producto del suministro de agua antes de guardarlo o transportarlo.
- Extraiga el agua de las mangueras y la bomba y vacíe el depósito de detergente antes de guardar el producto.
- Enrolle correctamente la manguera con sifón y guárdela con el limpiador eléctrico.
- Limpie todo el material extraño que pueda permanecer en el producto. Guárdelo en un lugar fresco, libre de heladas, seco y bien ventilado que sea inaccesible para los niños. No guarde el producto cerca de una caldera ni de otras fuentes de calor, ya que esto podría provocar el secado de las juntas de la bomba. Almacene el producto lejos de agentes corrosivos como sales de deshielo y productos químicos de jardín. No guarde el producto a la intemperie.
- Para transportar el producto, sujételo de modo que no se mueva ni se caiga para evitar lesiones personales o daños al producto.

⚠ ¡ADVERTENCIA! Guarde siempre el producto en un espacio cerrado. Guardarlo en una zona con una temperatura inferior a 0 ° dañará el producto.

TRANSPORTE DE BATERÍAS DE LITIO

Transporte de baterías de acuerdo con las disposiciones y reglamentos nacionales y locales.

Cumpla todos los requisitos especiales relativos al embalaje y etiquetado cuando el transporte de baterías se lleve a cabo por un tercero. Asegúrese de que, durante el transporte, las baterías no entran en contacto con otras baterías o materiales conductores protegiendo los conectores expuestos con tapones o tapas aislantes de material no conductor. No transporte baterías que tengan grietas o fugas. Consulte a la empresa de transporte para obtener más asesoramiento.

MANTENIMIENTO

Utilice sólo piezas y accesorios de recambio originales del fabricante. Si no lo hace podría

ocurrir un mal funcionamiento, podrían producirse daños o podría quedar anulada la garantía.

Las reparaciones requieren tener mucho cuidado y conocimiento y sólo debe realizarse por un técnico de servicio calificado. Solicite la reparación del producto únicamente en un centro de servicio autorizado. Utilice solo recambios originales del fabricante para las operaciones de mantenimiento.

- Detenga el producto, extraiga la batería, y deje que se enfríe. Desconecte el producto del suministro de agua:
 - antes de limpiar el producto
 - antes de realizar el mantenimiento del producto
 - antes de sustituir piezas
- Usted solo puede realizar los ajustes o reparaciones descritos en este manual. Para otras reparaciones o consejos, busque la ayuda de un centro de servicio autorizado.
- Inspeccione con regularidad y realice las labores de mantenimiento del producto para un funcionamiento seguro. Asegúrese de que el compartimento de la batería esté bien montado y cerrado, y compruebe con frecuencia si ha sufrido daños. Cualquier pieza dañada debe ser sustituida o reparada adecuadamente por un centro de servicio autorizado.
- Si el producto se va a guardar sin utilizar durante mucho tiempo, quite la batería.

CONOZCA SU PRODUCTO

Véase la página 111.

1. Botón de liberación
2. Cuello del mango auxiliar
3. Mango auxiliar
4. Selector de control de modo
5. Modo de velocidad baja
6. Modo intermedio
7. Modo de velocidad alta
8. Clip de la cubeta
9. Gatillo de encendido/apagado (On/Off)
10. Botón de bloqueo
11. Mango
12. Compartimento de la batería en uso
13. Cierre
14. Adaptador para botella de 2 litros
15. Entrada de agua
16. Acoplador de conexión rápida
17. Manguera de sifón
18. Flotador
19. Filtrar
20. Lanza metálica
21. Boquilla 3-en-1
22. Manual de instrucciones

- 23. Batería
- 24. Cargador
- 25. Detergente RYOBI

⚠ ¡ADVERTENCIA! No conecte la boquilla 3 en 1 al producto utilizando únicamente el adaptador giratorio RAC764. Utilice siempre la lanza metálica incluida o una lanza de prolongación cuando se use el adaptador giratorio.

DISPOSITIVOS DE SEGURIDAD

- Botón de bloqueo
 - El botón de bloqueo bloquea el gatillo interruptor y evita que el chorro de alta presión se abra involuntariamente.



Marca de conformidad de Ucrania

No deseche los residuos de aparatos eléctricos y electrónicos como residuos municipales no clasificados. Los residuos de aparatos eléctricos y electrónicos se deben recoger de forma independiente. Los residuos de fuentes de luz se deben retirar de los aparatos. Consulte con las autoridades locales o su distribuidor local para recibir asesoramiento sobre el reciclado y el punto de recogida. De acuerdo con lo establecido en las normativas locales, los establecimientos minoristas pueden tener la obligación de recuperar los residuos de aparatos eléctricos y electrónicos de forma gratuita. Su contribución a la hora de reutilizar y reciclar los residuos de aparatos eléctricos y electrónicos ayuda a reducir la demanda de materias primas. Los residuos de aparatos eléctricos y electrónicos contienen materiales valiosos que se pueden reciclar, y que podrían afectar de forma negativa al medio ambiente y a la salud humana si no se desechan de un modo medioambientalmente responsable. Si lo hubiera, elimine cualquier dato personal de los residuos de los aparatos.

SÍMBOLOS EN EL PRODUCTO



Advertencia



Para reducir el riesgo de heridas, lea atentamente y comprenda el presente manual de utilización antes de utilizar la herramienta.



Utilice una protección ocular y una mascarilla respiratoria adecuada.



El producto no debe conectarse al suministro de agua corriente sin supresor de reflujo.



Nunca apunte con la lanza pulverizadora hacia personas, animales, la estructura de la máquina, el suministro eléctrico o cualquier aparato eléctrico.



No la exponga a la lluvia o a lugares húmedos.



Marca de conformidad europea



Marca de conformidad británica



Certificado EAC de conformidad



SÍMBOLOS EN ESTE MANUAL



Las piezas o accesorios se venden por separado



Nota



Advertencia

Durante la progettazione di questo pulitore elettrico a batteria è stata data la massima priorità a sicurezza, prestazioni e affidabilità.

UTILIZZO RACCOMANDATO

Il pulitore elettrico a batteria è destinato esclusivamente all'uso esterno.

Prodotto disegnato per utilizzo privato o domestico. È pensato per pulire arredo del patio, finestre, automobili, barche con la rimozione dello sporco più ostinato utilizzando acqua pulita con o senza detergente.

Il prodotto deve essere utilizzato in condizioni di buona illuminazione.

Utilizzare i kit di accessori designati per l'idropulitrice quando la si utilizza per qualsiasi altro scopo, come la nebulizzazione di soluzioni detergenti e disinfettanti di fascia consumer.

Non utilizzare per altri scopi.

⚠ AVVERTENZA! Il prodotto è stato progettato per l'utilizzo con un agente detergente neutro in dotazione o raccomandato dal produttore. L'utilizzo di altri agenti o sostanze chimiche di pulizia potrebbe influire sulla sicurezza del prodotto.

AVVERTENZE GENERALI DI SICUREZZA

⚠ AVVERTENZA! Leggere tutte le avvertenze di sicurezza e le istruzioni. La mancata osservanza di tutte le istruzioni potrà causare scosse elettriche, incendi e/o gravi lesioni personali.

⚠ ATTENZIONE! Il pulitore non deve essere utilizzato su forniture di acqua potabile senza disporre di un dispositivo per la prevenzione dell'inquinamento da riflusso equivalente a EN 12729 Tipo BA. L'acqua che scorre attraverso il dispositivo per la prevenzione dell'inquinamento da riflusso è considerata non potabile. Non collegare il prodotto alla rete idrica potabile pubblica.

- Il prodotto non deve essere utilizzato da bambini o da individui con ridotte capacità fisiche, mentali o sensoriali, oppure da persone che non dispongono di esperienza e conoscenza. Supervisionare adeguatamente i bambini per assicurarsi che non giochino con il prodotto.
- Quando si utilizza il prodotto, indossare dispositivi di protezione individuale, come occhiali protettivi e protezione per le orecchie.

- Tenere a distanza bambini e passanti per ridurre il rischio di lesioni. Tutti i passanti devono indossare occhiali di sicurezza e tenersi a distanza dall'aria di lavoro.

- Assicurarsi che i dispositivi di sicurezza siano in buone condizioni di lavoro. Prima di ciascun utilizzo, accertarsi che i dispositivi di sicurezza stiano funzionando correttamente.

- Non utilizzare il prodotto se sono danneggiate parti importanti, come i dispositivi di sicurezza o l'asta.

⚠ AVVERTENZA! Durante l'uso del prodotto, si potrebbero formare delle vaporizzazioni. L'inalazione delle vaporizzazioni è pericolosa per la salute. Una maschera respiratoria di classe FFP 2 o equivalente potrebbe essere necessaria, in base all'ambiente di pulizia.

- Non ruotare l'ugello mentre si tira il grilletto. Se l'acqua fluisce mentre è attivato l'ugello, il canale di rilascio rilascerà l'acqua. Non si tratta di una perdita, ma consente all'acqua di fuoriuscire senza danneggiare lo strumento.

- Il getto ad alta pressione è pericoloso se utilizzato male. Non rivolgere il getto verso persone, apparecchiature elettriche sotto tensione o il prodotto stesso.

- Non dirigere il getto verso se stessi o gli altri al fine di pulire indumenti o calzature.

- I tubi flessibili, i raccordi e gli agganci sono importanti per la sicurezza del prodotto. Utilizzare soltanto tubi flessibili, raccordi e agganci consigliati dal produttore.

- Alcune regioni hanno norme che limitano l'utilizzo del prodotto. Rivolgersi alle autorità locali per eventuali consigli.

- Verificare la presenza di danni prima di ogni utilizzo. I tubi danneggiati devono essere sostituiti immediatamente. Accertarsi che tutte le connessioni, come asta di erogazione e ugello siano ben salde. Srotolare il tubo flessibile attentamente, facendo attenzione che non si attorcigli né si pieghi.

- Prima di avviare l'operazione di pulizia, chiudere porte e finestre. Pulire l'area in modo che sia priva di detriti, giocattoli, mobili per ambienti esterni o altri oggetti che potrebbero costituire un pericolo.

- Non utilizzare il prodotto a temperature inferiori a 0° C.

- Non utilizzare sostanze acide, alcaline, solventi o soluzioni di grado industriale nel prodotto. Queste sostanze possono causare lesioni fisiche all'operatore e danni irreversibili al prodotto.

⚠ **AVVERTENZA!** Per evitare rischi di esplosione, non spruzzare i liquidi infiammabili.

⚠ **AVVERTENZA!** Il getto ad alta pressione può essere pericoloso se utilizzato male. Il getto non deve essere rivolto verso persone, animali, dispositivi elettrici o il prodotto stesso.

- Afferrare l'impugnatura con entrambe le mani. A causa delle forze di reazione, aspettarsi che l'impugnatura si muova quando il grilletto viene tirato. La mancata osservanza di questa precauzione potrebbe causare la perdita di controllo e lesioni all'operatore e agli altri.
- Procedere con cautela per evitare scivolamenti o cadute.
- Mantenere sempre un appoggio saldo e l'equilibrio. Non protendersi. Protendersi potrà causare una perdita di equilibrio.
- Non lasciare mai senza supervisione il prodotto quando è in funzione. Spegnerlo il prodotto e lasciare che si fermi completamente. Tenere il prodotto fuori dalla portata dei bambini quando è acceso.
- Familiarizzarsi con i comandi. Essere a conoscenza di come arrestare il prodotto e spurgare la pressione rapidamente.
- Fare sempre attenzione e mantenere il controllo dell'apparecchio. Fare sempre attenzione alle operazioni che si effettuano e agire con buon senso.
- Non usare il prodotto in caso di stanchezza, malessere o sotto gli effetti di droghe, alcool o farmaci. Un momento di disattenzione mentre si mette in funzione il prodotto potrà causare gravi lesioni personali.
- Non utilizzare il prodotto se l'interruttore non si accende o spegne. Un prodotto che non può essere controllato dall'interruttore è pericoloso e deve essere riparato.
- Mantenere una distanza minima di 30 cm quando si puliscono i veicoli. Il getto ad alta pressione potrebbe danneggiare o forare gli pneumatici e/o le valvole degli pneumatici del veicolo.
- Il prodotto non deve essere utilizzato se è caduto, se ci sono segni visibili di danni o perdite.

- Il prolungato utilizzo dell'utensile potrà causare o aggravare lesioni. Quando il prodotto viene utilizzato per periodi prolungati, effettuare brevi interruzioni.

AVVERTENZE SULLA SICUREZZA DELLA BATTERIA

- Ricaricare le batterie solo con il caricabatterie specificato dal produttore. Un caricatore adatto per un tipo di batterie potrà creare un rischio di incendio se utilizzato con un altro gruppo batterie.
- Quando il gruppo batterie non viene utilizzato, tenerlo lontano da oggetti in metallo come fermagli, monete, chiavi, chiodi, viti o altri piccoli oggetti che potranno fare da tramite da un terminale all'altro. Cortocircuitare i terminali della batteria assieme potrà causare scottature o incendi.
- Mantenere la batteria e il caricabatteria lontano dagli ambienti bagnati e umidi.
- Utilizzare il prodotto soltanto con le batterie specificate nel presente manuale. L'utilizzo di gruppi batteria diversi da quelli indicati potrà causare rischi di lesioni e incendi.
- Se sottoposto a stress, la batteria potrà perdere dei liquidi; evitare il contatto. Se si entra accidentalmente in contatto con tali liquidi, lavarsi immediatamente con acqua. Se il liquido entra negli occhi, rivolgersi a un medico. Il liquido espulso dalla batteria potrà causare irritazioni o scottature.
- Non smaltire i pacchi batteria insieme ai rifiuti domestici. Devono essere raccolti separatamente e portati a un centro di riciclo ecologico. Consultare il proprio ente locale o rivenditore per consigli sul riciclo e sul punto di raccolta.
- Il gruppo batteria viene protetto da sovraccarico. Le batterie non funzioneranno in temperature estreme. Se le batterie sono troppo calde, lasciarle raffreddare prima di riprendere l'utilizzo. Se il prodotto continua a non funzionare, ricaricare la batteria.
NOTA: La spia LED del pacco batteria non funzionerà se la funzione della protezione del pacco batteria ha causato l'arresto del pacco batteria che alimenta il prodotto. Rilasciare il pulsante di accensione o rimuovere la batteria dal prodotto; l'indicatore LED della batteria riprenderà a funzionare normalmente.

AVVERTENZE AGGIUNTIVE PER LA SICUREZZA DELLA BATTERIA

⚠ AVVERTENZA! Non spruzzare l'acqua sul prodotto. Si potrebbe danneggiare il pacco batteria.

Per ridurre il rischio d'incendio, di lesioni o di danni al prodotto causati da corto circuito, non immergere mai l'utensile, la batteria ricaricabile o il carica batterie in un liquido e non lasciare mai penetrare alcun liquido all'interno dei dispositivi e delle batterie. I fluidi corrosivi o conduttori come acqua salata, alcuni agenti chimici, agenti candeggianti o prodotti contenenti agenti candeggianti potrebbero provocare un corto circuito.

TRASPORTO E RIPONIMENTO

- Arrestare il prodotto, rimuovere la batteria e lasciare che il prodotto si raffreddi. Disconnettere il prodotto dalla fornitura dell'acqua prima dell'immagazzinaggio o del trasporto.
- Rimuovere l'acqua da tutti i tubi flessibili e dalla pompa, e svuotare il serbatoio del detergente prima di immagazzinare il prodotto.
- Avvolgere con cura il tubo flessibile del sifone e conservarlo con la pulitrice.
- Rimuovere eventuali materiali di scarto dal prodotto. Conservare in un luogo freddo, asciutto, privo di brina e ben ventilato, non accessibile ai bambini. Non conservare il prodotto vicino a fonti di calore che potrebbero seccare le guarnizioni della pompa. Tenere il prodotto lontano da agenti corrosivi come agenti chimici da giardino e sali scongelanti. Non conservare il prodotto all'aperto.
- Per il trasporto, assicurare il prodotto contro ogni movimento o contro eventuali cadute per evitare lesioni a persone o danni al prodotto.

⚠ AVVERTENZA! Conservare il prodotto solo in un ambiente chiuso. La conservazione del prodotto a una temperatura inferiore agli 0 °C danneggerà il prodotto.

TRASPORTO BATTERIE AL LITIO

Trasportare le batterie rispettando quanto indicato dalle norme e regolamentazioni locali.

Far rispettare quanto indicato sulle etichette e sull'involucro quando la batteria viene trasportata da terzi. Assicurarsi che le batterie non entrino in contatto con altre batterie o

con materiali conduttivi mentre si trasportano proteggendo connettori esposti con tappi o nastro isolante e non conduttivo. Non trasportare batterie rotte o che perdono liquidi. Consultare la ditta produttrice per eventuali ulteriori consigli.

MANUTENZIONE

Utilizzare solo parti di ricambio, accessori e dispositivi originali della ditta produttrice. In caso contrario si potranno causare lesioni, prestazioni basse e la garanzia verrà invalidata.

Le operazioni di manutenzione devono essere svolte con grande attenzione e accortezza solo da un tecnico qualificato. Far riparare il prodotto esclusivamente da un centro assistenza autorizzato. Quando si svolgono le operazioni di manutenzione, utilizzare solo parti di ricambio originali della ditta produttrice.

- Arrestare il prodotto, rimuovere la batteria e lasciare che il prodotto si raffreddi. Scollegare il prodotto dalla fornitura dell'acqua:
 - prima di pulire il prodotto
 - prima di effettuare la manutenzione del prodotto
 - prima di sostituire i pezzi di ricambio
- Sarà solo possibile svolgere le regolazioni o riparazioni indicate nel presente manuale. Per altre riparazioni o consigli, rivolgersi a un centro servizi autorizzato.
- Esaminare ed effettuare la manutenzione regolarmente del pulitore per garantire un funzionamento sicuro. Assicurarsi che il vano della batteria sia correttamente montato, ben chiuso e controllare la presenza di danni. Riparare eventuali parti danneggiate o farle sostituire da un centro servizi autorizzato.
- Se il prodotto non verrà utilizzato per un lungo periodo, rimuovere le batterie.

FAMILIARIZZARE CON IL PRODOTTO

Vedere pagina 111.

1. Pulsante di sblocco
2. Anello manico ausiliario
3. Manico ausiliario
4. Selettore di controllo modalità
5. Modalità bassa velocità
6. Modalità centrale
7. Modalità alta velocità
8. Clip per benna
9. Grilletto On/Off (Acceso/Spento)

10. Pulsante di blocco
11. Manico
12. Vano batteria utilizzato
13. Linguetta
14. Adattatore flacone da 2L
15. Ingresso dell'acqua
16. Accoppiatore Quick Connect
17. Sifone flessibile
18. Galleggiante
19. Filtro
20. Asta di metallo
21. Ugello 3-in-1
22. Manuale dell'operatore
23. Batteria
24. Caricatore
25. Detergente RYOBI

⚠ AVVERTENZA! Non collegare l'ugello 3-in-1 utilizzando solo l'adattatore rotante RAC764. Utilizzare sempre l'asta di metallo inclusa o una prolunga quando si utilizza l'adattatore rotante.

DISPOSITIVI DI SICUREZZA

- Pulsante di blocco
 - La sicura blocca il grilletto per prevenire l'apertura accidentale del getto ad alta pressione.

SIMBOLI SUL PRODOTTO



Avvertenze



Per ridurre i rischi di lesioni, è indispensabile leggere attentamente e comprendere il presente manuale d'uso prima di utilizzare l'apparecchio.



Indossare una protezione oculare e una protezione respiratoria adeguata.



Il prodotto non è idoneo per la connessione a tubature dell'acqua potabile se non è presente un dispositivo di prevenzione del riflusso.



Non puntare mai la lancia di erogazione verso persone, animali, il corpo della macchina, la fornitura di alimentazione o altri apparecchi elettrici.



Non esporre a pioggia o umidità.



Marchio di conformità europeo



Marchio di conformità britannico



Marchio di conformità EurAsian



Marchio di conformità ucraino

Non smaltire i dispositivi elettrici ed elettronici come normali rifiuti. I dispositivi elettrici ed elettronici dovranno essere raccolti separatamente. Le fonti luminose non più utilizzabili dovranno essere rimosse dall'apparecchiatura. Consultare il proprio ente locale o rivenditore per consigli sul riciclo e sul punto di raccolta. In base alle normative locali i rivenditori potrebbero avere l'obbligo di riprendersi gratuitamente le apparecchiature elettriche ed elettroniche. Il vostro contributo al riciclaggio delle apparecchiature elettriche ed elettroniche aiuta a ridurre la richiesta di materie prime. Le apparecchiature elettriche ed elettroniche di scarto contengono materiali preziosi e riciclabili che potrebbero avere un impatto avverso sull'ambiente e la salute umana, se non smaltiti in un modo ecocompatibile. Eliminare i dati personali, se presenti, dalle apparecchiature da buttare.



SIMBOLI NEL PRESENTE MANUALE



Parti o accessori venduti separatamente



Note



Avvertenze

Bij het ontwerp van uw snoerloze elektrische reiniger hebben veiligheid, prestaties en betrouwbaarheid de hoogste prioriteit verkregen.

VOORGESCHREVEN GEBRUIK

De snoerloze elektrische reiniger is uitsluitend bedoeld voor gebruik buitenshuis.

Het product is geschikt voor huishoudelijk gebruik. Het is bedoeld voor het reinigen van terrasmeubilair, ramen, auto's, boten door het verwijderen van hardnekkig vuil met behulp van schoon water met of zonder reinigingsmiddel.

Het apparaat moet worden gebruikt onder goed verlichte omstandigheden.

Gebruik de juiste accessoirekits voor de hogedrukreiniger wanneer u deze voor een ander doel gebruikt, zoals het besproeien met reinigungsoplossingen en desinfectiemiddelen van huishoudelijke kwaliteit.

Gebruik niet voor andere doeleinden.

⚠ WAARSCHUWING! Ontworpen voor gebruik met een door de fabrikant aanbevolen of geleverd neutraal reinigingsmiddel. Het gebruik van andere reinigingsmiddelen of chemicaliën kan een negatieve invloed hebben op de veiligheid van het apparaat.

ALGEMENE VEILIGHEIDSWAARSCHUWINGEN

⚠ WAARSCHUWING! Lees alle veiligheidswaarschuwingen en instructies. Wanneer niet de waarschuwingen en instructies niet opvolgt, kan dit leiden tot elektrische schok en/of ernstig letsel.

⚠ LET OP! Het apparaat mag niet gebruikt worden bij een drinkwatervoorziening zonder gemonteerde terugslagklep die aan EN 12729 Type BA voldoet. Water dat door een terugslagklep stroomt, wordt als ondrinkbaar beschouwd. Sluit het apparaat niet aan op het waterleidingnet.

■ Het apparaat is niet bedoeld voor gebruik door kinderen of personen met verminderde lichamelijke, zintuiglijke of geestelijke vermogens, of met onvoldoende ervaring en kennis. Kinderen moeten onder toezicht staan om ervoor te zorgen dat ze niet met het product spelen.

- Draag bij gebruik van het apparaat een persoonlijke veiligheidsuitrusting, zoals een veiligheidsbril en gehoorbescherming.
- Houd kinderen en omstanders uit de buurt om het risico op letsel te verminderen. Alle omstanders moeten een veiligheidsbril dragen en op een veilige afstand van het werkgebied worden gehouden.
- Zorg ervoor dat de veiligheidsapparatuur in goede staat verkeert. Zorg er vóór elk gebruik voor dat alle veiligheidsvoorzieningen goed werken.
- Gebruik het apparaat niet als belangrijke onderdelen beschadigd zijn, zoals de veiligheidsvoorzieningen of de sproeibuis.

⚠ WAARSCHUWING! Tijdens het gebruik van het product kunnen aerosolen worden gevormd. Inademing van aerosolen kan gevaarlijk zijn voor de gezondheid. Een ademhalingsmasker van klasse FFP 2 of gelijkwaardig kan nodig zijn, afhankelijk van de reinigungsomgeving.

- Draai niet aan de sproeier terwijl u de trigger bedient. Als het water stroomt terwijl de sproeier is aangedraaid, zal het ontlastingskanaal het water vrijgeven. Dit is geen lekkage, maar laat het water ontsnappen zonder het apparaat te beschadigen.
- Bij onjuist gebruik is een hogedrukstraal gevaarlijk. Richt de straal nooit op mensen, ingeschakelde elektrische apparaten, of op het apparaat zelf.
- Richt de straal niet rechtstreeks op uzelf of anderen om kleding of schoenen te reinigen.
- Slangen, fittingen en koppelingen zijn belangrijk voor de veiligheid van het apparaat. Gebruik alleen door de fabrikant aanbevolen slangen, fittingen en koppelingen.
- Enkele regio's hebben regels die het gebruik van het product beperken. Raadpleeg uw lokale autoriteit voor advies.
- Controleer vóór elk gebruik op schade. Beschadigde slangen moeten onmiddellijk worden vervangen. Zorg ervoor dat alle aansluitingen, zoals sproeistok en spuitstuk, goed vastzitten. Wikkel de slang correct af, zodat deze niet wordt gedraaid of geknikt.

- Sluit deuren en ramen voordat u gaat reinigen. Verwijder vuil, speelgoed, tuinmeubilair, of andere voorwerpen die gevaar kunnen opleveren uit het te reinigen gebied.
- Het apparaat niet gebruiken in temperaturen onder 0°C.
- Gebruik geen zuren, alkaliën, oplosmiddelen of oplossingen van industriële kwaliteit in het apparaat. Deze producten kunnen lichamelijk letsel aan de gebruiker, en onherstelbare schade aan het apparaat veroorzaken.

⚠ **WAARSCHUWING!** Om explosiegevaar te vermijden, niet met brandbare vloeistoffen spuiten.

⚠ **WAARSCHUWING!** Hogedrukstralen kunnen bij onjuist gebruik gevaarlijk zijn. De straal mag niet worden gericht op mensen, dieren, elektrische apparatuur, of het apparaat zelf.

- Houd de handgreep stevig met twee handen vast. Door reactieve krachten komt de trekker in beweging bij het overhalen van de trekker. Wanneer u hier niet op bent voorbereid, kunt u de controle over het apparaat verliezen en letsel aan uzelf en anderen toebrengen.
- Wees voorzichtig om uitglijden of vallen te voorkomen.
- Bewaar steeds een stevige houvast en goed evenwicht. Overrek u niet. Rek u niet uit, waardoor u uw evenwicht kunt verliezen.
- Laat het apparaat tijdens gebruik nooit onbeheerd achter. Schakel het apparaat uit en loop pas erbij weg, als het volledig tot stilstand is gekomen. Houd het apparaat buiten het bereik van kinderen wanneer het is ingeschakeld.
- Raak vertrouwd met de bediening. Leer hoe u het apparaat kunt stopzetten en de druk snel kunt ontlasten.
- Wees altijd oplettend en zorg dat u uw gereedschap de baas blijft. Concentreer u op wat u doet en gebruik uw gezonde verstand.
- Gebruik het product niet als u moe, ziek of onder de invloed van drugs, alcohol of medicijnen bent. Een ogenblik van onoplettendheid tijdens het gebruik van het product kan leiden tot ernstige persoonlijke letsels.
- Gebruik het product niet als de schakelaar het product niet in- of uitschakelt. Een product dat

niet met de schakelaar kan worden bediend, is gevaarlijk en moet worden gerepareerd.

- Houd minstens 30 cm afstand bij het reinigen van voertuigen. De hogedrukstraal kan banden en/of de kleppen van banden beschadigen of laten barsten.
- Het apparaat mag niet worden gebruikt als het is gevallen, als er zichtbare tekenen van schade zijn of als het lekkage vertoont.
- Letsels kunnen worden veroorzaakt of ernstiger worden door verlengd gebruik van een werktuig. Wanneer u het apparaat voor langere tijd achtereen gebruikt, neem dan regelmatig een pauze.

VEILIGHEIDSWAARSCHUWINGEN VOOR ACCUPAKKET

- Laad de accu alleen op met de oplader die door de fabrikant is aangegeven. Een oplader die voor een type accupack is geschikt kan een brandgevaar betekenen wanneer het met een ander accupack wordt gebruikt.
- Wanneer het accupack niet wordt gebruikt, moet u het weg houden van andere metalen objecten, zoals papierclips, munten, sleutels, spijkers, schroeven of andere kleine metalen voorwerpen die een verbinding kan maken van een terminal naar een andere. De batterijterminals kortsluiten kan leiden tot brandwonden of brand.
- De accu en oplader uit de buurt houden van natte en vochtige omstandigheden.
- Gebruik voor het apparaat alleen de accu die in deze handleiding is aangegeven. Het gebruik van andere accupacks kan leiden tot risico's op letsels en brand.
- In oneigenlijke omstandigheden, kan een vloeistof uit de accu lekken; vermijd contact hiermee. Als per ongeluk contact voorkomt, spoelt u met water. Als er vloeistof in contact komt met de ogen, raadpleegt u onmiddellijk medische hulp. Vloeistof die uit de accu lekt, kan irritatie of brandwonden veroorzaken.
- Gooi de accu's niet weg met huishoudelijk afval. Ze moeten apart worden ingezameld en afgevoerd naar milieuvriendelijk inzamelpunt voor recycling. Neem contact op met uw gemeente of winkelier voor recyclingadvies en inzamelpunt.

- Het batterijpack beschikt over oververhittingsbescherming. Te hoge temperaturen zullen ervoor zorgen dat de accu het werktuig niet langer aandrijft. Als de accu oververhit is, laat deze dan afkoelen alvorens verder te gaan met het apparaat. Als het product nog steeds niet werkt, laad dan de accu op.

OPMERKING: De led-indicator van de accu zal niet werken als de beveiliging van de accu ervoor gezorgd heeft dat de accu het apparaat niet meer van stroom voorziet. Laat de aan-uit-knop los of verwijder de accu uit het product zodat de led-indicator van de accu zijn normale functie hervat.

EXTRA WAARSCHUWINGEN BATTERIJVEILIGHEID

⚠ **WAARSCHUWING!** Spat geen water op het apparaat. Dit kan de accu beschadigen.

Voorkom brand, persoonlijk letsel of materiële schade door kortsluiting en dompel het gereedschap, de wisselaccu en het laadtoestel niet onder in vloeistoffen en waarborg dat geen vloeistoffen in de apparaten en accu's kunnen dringen. Corrosieve of geleidende vloeistoffen zoals zout water, bepaalde chemicaliën, bleekmiddelen of producten die bleekmiddelen bevatten, kunnen een kortsluiting veroorzaken.

TRANSPORT EN OPSLAG

- Stop het apparaat, verwijder de accu en laat het apparaat afkoelen. Koppel het apparaat vóór de opslag of het vervoer los van de watertoevoer.
- Vóór opslag van het apparaat het water uit alle slangen en de pomp verwijderen, en de tank voor reinigingsmiddel legen.
- Rol de hevelsling netjes op en berg hem op samen met de hogedrukreiniger.
- Verwijder alle vreemde voorwerpen van het product. Bewaar het apparaat op een koele, vorstvrije, droge en goed geventileerde plaats die niet toegankelijk is voor kinderen. Bewaar het apparaat niet in de buurt van een oven of andere warmtebronnen, die de pompafdichtingen kunnen uitdrogen. Houd het product weg van corrosieve producten, zoals tuinchemicaliën en ontdooingszout. Sla het product niet buitenshuis op.

- Voor transport beveilig u het product tegen bewegen of vallen om lichamelijke letsels of schade aan het product te voorkomen.

⚠ **WAARSCHUWING!** Bewaar het product alleen binnenshuis. Opslaan in een omgeving met temperatuur onder 0°C zal het apparaat beschadigen.

LITHIUMBATTERIJEN TRANSPORTEREN

De accu's dienen in overeenstemming met de plaatselijk en nationale regelgeving te worden getransporteerd.

Respecteer alle speciale voorwaarden op de verpakking en etikettering wanneer u de accu's door derden laat transporteren. Zorg ervoor dat de accu's tijdens het transport niet in contact komen met andere batterijen of geleidende materialen door blootliggende connectoren met isolerende, niet-geleidende doppen of plakband te beschermen. Transporteer geen accues die lekken of gebarsten zijn. Overleg met het transportbedrijf voor verder advies.

ONDERHOUD

Gebruik uitsluitend originele vervangonderdelen, accessoires en voorzetstukken van de fabrikant. Als u dit niet doet, kan dit mogelijks letsels of slechte prestaties veroorzaken waardoor uw garantie kan vervallen.

Het onderhoud vereist extreme voorzichtigheid en deskundigheid en mag enkel door een gekwalificeerde onderhoudstechnicus worden uitgevoerd. Het product mag uitsluitend door een erkend servicecentrum worden gerepareerd. Gebruik uitsluitend originele vervangonderdelen wanneer u onderhoudswerken aan de machine uitvoert.

- Stop het apparaat, verwijder de accu en laat het apparaat afkoelen. Koppel vóór onderstaande situaties het apparaat los van de watertoevoer:
 - alvorens het apparaat te reinigen
 - alvorens onderhoud aan het apparaat uit te voeren
 - alvorens onderdelen te vervangen
- U mag uitsluitend de afstellingen of herstellingen uitvoeren die in deze

gebruiksaanwijzing worden beschreven. Voor andere herstellingen of advies, vraagt u hulp in een geautoriseerd onderhoudscentrum.

- Voor veilig gebruik het apparaat regelmatig inspecteren en onderhouden. Zorg ervoor dat het accucompartiment is bevestigd, goed is afgesloten en controleer regelmatig op beschadigingen. Een beschadigd onderdeel moet door een geautoriseerd onderhoudscentrum goed worden gerepareerd of vervangen.
- Als het apparaat langere tijd niet wordt gebruikt, moeten de batterijen worden verwijderd.

KEN UW PRODUCT

Zie pagina 111.

1. Ontgrendelingsknop
2. Extra handgreep kraag
3. Extra handgreep
4. Modus keuzeschakelaar
5. Lage modus
6. Middelste stand
7. Hoge modus
8. Emmerklem
9. Aan-/uithendel
10. Vergrendelknop
11. Handvat
12. Compartiment gebruikte batterij
13. Knipsluiting
14. 2 l Flesadapter
15. Watertoevoer
16. Snelle verbindingskoppeling
17. Hevelslang
18. Drijver
19. Filter
20. Metalen stift
21. 3-in-1 sproeikop
22. Gebruiksaanwijzing
23. Accu
24. Lader
25. RYOBI reinigingsmiddel

⚠ WAARSCHUWING! Sluit het 3-in-1 mondstuk niet aan op het apparaat met alleen de RAC764 zwenkbare adapter. Gebruik altijd de bijgeleverde metalen buis of een verlengde buis wanneer u de zwenkbare adapter gebruikt.

VEILIGHEIDSVORZIENINGEN

- Vergrendelknop
 - De vergrendeling van de trekker vergrendelt de trekker en voorkomt onbedoeld openen van de hogedrukspuit.

SYMBOLEN OP HET PRODUCT



Waarschuwing



Om gevaar voor lichamelijk letsel te verminderen dient u deze gebruikshandleiding absoluut goed door te lezen en te begrijpen voordat u het apparaat gaat gebruiken.



Draag oogbescherming en een geschikt ademhalingsmasker.



Het apparaat is zonder terugstroombeveiliging niet geschikt voor aansluiting op het drinkwaternet.



Richt de spuitsteel nooit op mensen, dieren, het apparaat zelf, de voeding, of een elektrisch apparaat.



Stel niet bloot aan regen of vocht.



CE-markering



Brits conformiteitskeurmerk



EurAsian-symbool van overeenstemming



Oekraïens conformiteitskeurmerk

Gooi afgedankte elektrische en elektronische apparatuur niet weg als ongesorteerd stedelijk afval. Afgedankte elektrische en elektronische apparatuur moet afzonderlijk worden ingezameld.

Afgedankte lichtbronnen moeten uit de apparatuur worden verwijderd.

Neem contact op met uw gemeente of winkelier voor recyclingadvies en inzamelpunt. Volgens de plaatselijke voorschriften kunnen detailhandelaars verplicht zijn afgedankte elektrische en elektronische apparatuur kosteloos terug te nemen. Uw bijdrage aan hergebruik en recycling van afgedankte elektrische en elektronische apparatuur helpt de vraag naar grondstoffen te verminderen. Afgedankte elektrische en elektronische apparatuur bevat waardevolle en recycleerbare materialen, die een negatief effect kunnen hebben op het milieu en de volksgezondheid indien ze niet op een milieuvriendelijke manier worden verwijderd. Verwijder eventuele persoonlijke gegevens van afgedankte apparatuur.



SYMBOLLEN IN DEZE GEBRUIKSAANWIJZING



Onderdelen of accessoires afzonderlijk verkocht



Opmerking



Waarschuwing

No design da sua lavadora sem fios, demos prioridade à segurança, ao desempenho e à fiabilidade.

USO PREVISTO

A lavadora sem fios destina-se apenas a uma utilização no exterior.

O produto foi concebido para uso doméstico. Destina-se à limpeza de mobiliário de exterior, janelas, automóveis e embarcações através da remoção de sujidade persistente, utilizando água limpa com ou sem detergente de limpeza.

O produto deve ser utilizado em condições bem iluminadas.

Utilize os kits de acessórios designados para a máquina de lavar ao utilizar a máquina para qualquer outro fim, tal como a pulverização de soluções de limpeza e desinfetantes de grau de consumo.

Não a use para nenhuma outra finalidade.

⚠ ADVERTÊNCIA! O produto destina-se a ser utilizado com um produto de limpeza neutro, fornecido ou recomendado pelo fabricante. A utilização de outros produtos de limpeza ou produtos químicos pode ter um impacto negativo na segurança do produto.

AVISOS GERAIS DE SEGURANÇA

⚠ ADVERTÊNCIA! Leia todos os avisos de segurança e todas as instruções. O facto de não seguir os avisos e as instruções pode conduzir a choque eléctrico, fogo e/ou lesão grave.

⚠ ADVERTÊNCIA! O produto não pode nunca ser utilizado com ligação à rede de abastecimento de água potável sem que esteja instalado um dispositivo anti-retorno que satisfaça a norma EN 12729 Tipo BA. A água que corre através de um dispositivo anti-retorno é considerada não potável. Não ligue o produto à rede pública de água potável.

- O produto não se destina a ser utilizado por crianças nem por pessoas que tenham capacidades reduzidas a nível físico, sensorial ou mental, ou que sejam inexperientes ou desconhecedoras. As crianças devem ser mantidas sob vigilância adequada para se garantir que não brincam com o produto.
- Use equipamento de protecção individual ao utilizar o produto, tal como óculos de segurança e protecção auditiva.
- Para reduzir o risco de ferimentos, mantenha as crianças e transeuntes afastados. Todos os transeuntes devem

usar óculos de segurança e manter uma distância segura da área de trabalho.

- Certifique-se de que os dispositivos de segurança estão em bom estado de funcionamento. Antes de cada utilização, certifique-se de que todos os dispositivos de segurança estão a funcionar correctamente.
- Não use o produto se peças importantes estiverem danificadas, tais como dispositivos de segurança ou a haste de pulverização.
- ⚠ **ADVERTÊNCIA!** Durante a utilização do produto, poderão formar-se aerossóis. A inalação de aerossóis pode ser prejudicial para a saúde. Poderá ser precisa uma máscara respiratória da classe FFP 2 ou equivalente, dependendo do ambiente da limpeza.
- Não rode o bocal enquanto prime o gatilho. Se existir fluxo de água ao rodar o bocal, o canal de descompressão liberta água. Não se trata de uma fuga, mas permite a saída da água sem danificar a ferramenta.
- O jacto de alta pressão é perigoso se for mal utilizado. Não aponte o jato para pessoas, equipamento eléctrico ligado à corrente, nem ao próprio produto.
- Não aponte o jacto a si próprio nem a outras pessoas, por exemplo para limpar a roupa ou o calçado.
- As mangueiras, os terminais e os acoplamentos são importantes para a segurança do produto. Use apenas mangueiras, terminais e acoplamentos recomendados pelo fabricante.
- Algumas regiões têm normas que limitam o uso do produto. Consulte a sua autoridade local para obter informação.
- Inspeccione antes de cada utilização, procurando danos. As mangueiras danificadas devem ser substituídas de imediato. Certifique-se de que todas as ligações, tais como a haste de pulverização e o bocal, estão apertadas com firmeza e em segurança. Desenrole a mangueira correctamente, para que não possa ficar torcida nem vincada.
- Antes de começar qualquer operação de limpeza, feche portas e janelas. Limpe e desimpeça a área a ser limpa, removendo resíduos, brinquedos, mobiliário de jardim ou outros objectos que possam constituir um perigo.
- Não use o produto em temperaturas abaixo de 0 °C.
- Não use ácidos, alcalinos, solventes nem soluções de grau industrial no produto.

Estes produtos podem causar ferimentos ao operador e danos irreversíveis ao produto.

⚠ **ADVERTÊNCIA!** Para evitar o risco de explosão, não pulverize líquidos inflamáveis.

⚠ **ADVERTÊNCIA!** O jacto de alta pressão pode ser perigoso se for utilizado incorrectamente. O jacto não pode nunca ser apontado a pessoas, animais, aparelhos eléctricos, nem ao próprio produto!

- Agarre a pega com firmeza e em segurança, com ambas as mãos. Quando premir o gatilho, conte com o movimento da pega do gatilho, devido às forças de reacção. Se não o fizer, isso poderá causar uma perda de controlo e causar ferimentos a si próprio e a outras pessoas.
- Tenha cuidado, para evitar escorregar ou cair.
- Mantenha-se bem apoiado e equilibrado. Não se aproxime em demasia. Tentar esticar-se demais pode provocar a perda de equilíbrio.
- Nunca deixe o produto a trabalhar desacompanhado. Desligue o produto e afaste-se apenas quando tiver parado completamente. Mantenha o produto fora do alcance das crianças enquanto estiver ligado a uma fonte de energia.
- Familiarize-se com os controlos. Saiba como parar o produto e purgar a pressão rapidamente.
- Seja sempre vigilante e exerça o controlo da sua ferramenta. Veja bem o que está a fazer e use o seu bom senso.
- Não utilize o produto se sentir fadiga, doente ou se estiver sob a influência de estupefacientes, álcool ou medicamentos. Um momento de desatenção enquanto opera o produto pode resultar em ferimentos graves.
- Não use o aparelho caso o interruptor não ligue ou desligue o aparelho. Qualquer produto que não possa ser controlado com o interruptor é perigoso e deve ser reparado.
- Quando lavar veículos, mantenha uma distância mínima de 30 cm. O jacto de alta pressão pode danificar ou rebentar os pneus do veículo e/ou as válvulas dos pneus.
- Não deve utilizar o produto após uma queda ou se existirem sinais visíveis de danos ou fugas.
- O uso prolongado de uma ferramenta pode causar o agravar lesões. Sempre que utilizar o produto durante períodos de tempo prolongados, certifique-se de que faz intervalos regulares.

AVISOS DE SEGURANÇA DO CONJUNTO DE BATERIAS

- Recarregue o conjunto de baterias apenas com o carregador especificado pelo fabricante. Um carregador que seja adequado para um tipo de bateria pode causar risco de incêndio, quando utilizado com outra bateria.
 - Quando a bateria não estiver a ser utilizada, mantenha-a afastada de outros objectos metálicos como cliques de papel, moedas, chaves, pregos, parafusos, ou outros pequenos objectos metálicos que podem fazer a ligação de um terminal para outro. Ligar os terminais da bateria em conjunto pode causar queimaduras ou um incêndio.
 - Mantenha o conjunto de baterias e o carregador afastados de locais húmidos ou expostos a condições de humidade.
 - Utilize o produto apenas com os conjuntos de baterias especificados neste Manual. O uso de qualquer outro tipo de bateria pode causar risco de lesões e incêndio.
 - Sob circunstâncias abusivas, o líquido pode ser ejectado da bateria, evite o contacto. Se o contacto ocorrer acidentalmente, limpe com água abundante. Se o líquido entrar em contacto com os olhos, procure adicionalmente assistência médica. O líquido ejectado da bateria pode causar irritação ou queimaduras.
 - Não descarte os conjuntos de baterias usados juntamente com o lixo doméstico. Têm de ser recolhidos separadamente e enviados para um centro de reciclagem ecológica. Para mais informações sobre pontos de recolha para reciclagem, contacte as suas autoridades locais ou o seu revendedor.
 - Abateriatemproteçãodesobreaquecimento. Uma temperatura excessiva fará com que a bateria deixe de alimentar a ferramenta. Se o conjunto de baterias estiver demasiado quente ao toque, deixe-o arrefecer antes de retomar a utilização. Se o produto mesmo assim não funcionar, recarregue a bateria.
- NOTA:** O indicador LED da unidade da bateria não funciona se a função de proteção da bateria tiver impedido a bateria de alimentar o produto. Para o indicador de LED do conjunto de baterias retomar o funcionamento normal, liberte o botão de Ligado-Desligado (On-Off) ou desmonte o conjunto de baterias do produto.

AVISOS DE SEGURANÇA ADICIONAIS DAS BATERIAS

⚠️ ADVERTÊNCIA! Não sujeite o produto a salpicos de água. Pode danificar a unidade da bateria.

Para evitar o risco de incêndio, de feridas ou de danificação do produto causado por um curto-circuito, não imerja a bateria intercambiável ou o carregador em líquidos e assegure-se de que líquidos não penetrem nos aparelhos ou nas baterias. Líquidos corrosivos ou condutivos como água salgada, determinadas substâncias químicas ou produtos que contenham branqueadores podem causar um curto-circuito.

TRANSPORTE E ARMAZENAMENTO

- Desligue o produto, desmonte o conjunto de baterias e deixe o produto arrefecer. Antes de armazenar ou transportar o produto, desfaça a ligação do produto ao abastecimento de água.
- Antes de armazenar o produto, esvazie a água de todas as mangueiras e da bomba, e esvazie também o depósito de detergente.
- Enrole cuidadosamente a mangueira do sifão e guarde com a máquina de lavar.
- Limpe todos os materiais estranhos do produto. Armazene num local fresco, protegido da geada, seco e bem ventilado, fora do alcance de crianças. Não guarde o produto perto de fornalhas ou outras fontes de calor que possam secar os vedantes da bomba. Mantenha o produto afastado de agentes corrosivos tais como produtos químicos de jardim e sais de remoção de gelo. Não guarde o produto em espaços exteriores.
- Para transportar, prenda o aparelho de modo a evitar que este se mova ou caia, para evitar lesões ou danos no produto.

⚠️ ADVERTÊNCIA! Guarde o produto apenas em espaços interiores. O armazenamento do produto numa área com temperaturas abaixo de 0 °C irá danificar o produto.

TRANSPORTE DE BATERIAS DE LÍTIO

Transporte as baterias em conformidade com as disposições e regulamentos locais e nacionais.

Siga todos os requisitos especiais na embalagem e rótulos ao transportar baterias por um terceiro. Certifique-se de que nenhuma bateria pode entrar em contato com outras baterias ou materiais condutores durante o transporte protegendo os conectores expostos com tampas ou fita isoladora e não condutora. Não transporte baterias que

estejam rachadas ou com fugas. Confirme com a empresa de envio para mais conselhos.

MANUTENÇÃO

Utilize apenas peças de substituição, acessórios e encaixes do fabricante original. A inobservância desta indicação pode causar um fraco desempenho, possíveis lesões e poderá anular a sua garantia.

Os serviços de manutenção requerem extremo cuidado e conhecimentos e devem apenas ser realizado por um técnico de assistência qualificado. Repare o seu produto exclusivamente num centro de assistência autorizado. Durante as operações de manutenção, utilize peças de substituição originais do fabricante.

- Desligue o produto, desmonte o conjunto de baterias e deixe o produto arrefecer. Desfaça a ligação do produto ao abastecimento de água:
 - antes de limpar o produto
 - antes de executar tarefas de manutenção no produto
 - antes de substituir peças sobresselentes
- Só pode proceder aos ajustes ou reparações descritas neste manual. Para outros reparos ou conselhos, procurar a ajuda de um centro de serviço autorizado.
- Para garantir a utilização em segurança, inspecione e faça manutenção com regularidade à máquina de lavar. Certifique-se de que o compartimento da bateria está corretamente montado, bem fechado e verifique a existência de danos com frequência. Qualquer peça danificada deve ser substituída ou reparada adequadamente por um centro de serviço autorizado.
- Se o produto for ficar armazenado durante um período de tempo prolongado, as baterias devem ser desmontadas.

CONHEÇA O SEU APARELHO

Ver a página 111.

1. Botão de libertação
2. Colar do manípulo auxiliar
3. Manípulo auxiliar
4. Seletor do modo de controlo
5. Modo de velocidade baixa
6. Modo intermédio
7. Modo de velocidade alta
8. Clipe do balde
9. Botão On/Off
10. Botão de bloqueio
11. Manípulo
12. Compartimento da bateria em uso

13. Lingueta
14. Adaptador para garrafa de 2 L
15. Entrada de água
16. Acoplador de ligação rápida
17. Mangueira de sifão
18. Flutuador
19. Filtro
20. Haste de metal
21. Bico 3 em 1
22. Manual do operador
23. Bateria
24. Carregador
25. Detergente RYOBI

⚠️ ADVERTÊNCIA! Não ligue o bocal 3 em 1 ao produto utilizando apenas o adaptador giratório RAC764. Utilize sempre a vareta metálica incluída ou uma vareta de extensão quando utilizar o adaptador giratório.

DISPOSITIVOS DE SEGURANÇA

- Botão de bloqueio
 - O travão de bloqueio do gatilho trava o gatilho e impede a abertura accidental do jacto de alta pressão.

SÍMBOLOS NO PRODUTO



Aviso



Para reduzir os riscos de ferimentos, é indispensável que leia e compreenda bem este manual de utilização antes de utilizar esta ferramenta.



Use proteção para os olhos e uma máscara respiratória adequada.



O produto não é adequado para ligação à rede de abastecimento de água potável sem um dispositivo anti-retorno.



Nunca aponte a varinha de vaporização a pessoas, a animais, ao corpo da máquina, à fonte de alimentação eléctrica, nem a aparelhos eléctricos!



Não o exponha à chuva ou a condições de humidade.



Marca europeia de conformidade



Marca britânica de conformidade



Marca de conformidade EurAsian



Marca ucraniana de conformidade

Não elimine equipamentos elétricos e eletrônicos juntamente com resíduos municipais não separados. Os resíduos de equipamentos elétricos e eletrônicos devem ser recolhidos separadamente. Os resíduos de fontes de luz têm de ser retirados do equipamento. Para mais informações sobre pontos de recolha para reciclagem, contacte as suas autoridades locais ou o seu revendedor. De acordo com os regulamentos locais, os retalhistas têm a obrigação de receber os resíduos de equipamentos elétricos e eletrônicos livres de encargos. O seu contributo para reutilizar e reciclar os resíduos de equipamentos elétricos e eletrônicos ajuda a reduzir a procura de matérias-primas. Os resíduos de equipamentos elétricos e eletrônicos contêm materiais recicláveis preciosos, que podem afetar negativamente o meio ambiente e a saúde humana se não forem eliminados de uma forma ambientalmente compatível. Elimine os dados pessoais dos equipamentos, se existirem.



SÍMBOLOS NESTE MANUAL



As peças ou acessórios vendem-se separadamente



Nota



Aviso

- EN
- FR
- DE
- ES
- IT
- NL
- PT**
- DA
- SV
- FI
- NO
- RU
- PL
- CS
- HU
- RO
- LV
- LT
- ET
- HR
- SL
- SK
- BG
- UK
- TR

Sikkerhed, ydeevne og pålidelighed er blevet givet topprioritet i designet af den trådløse højtryksrenser.

TILTÆNKET ANVENDELSESFØRMÅL

Den trådløse højtryksrenser er kun beregnet til udendørs brug.

Produktet er beregnet til privat eller hjemlig brug. Den er beregnet til rengøring af havemøbler, vinduer, biler, både ved fjernelse af fastsiddende snavs ved hjælp af rent vand med eller uden rengøringsmiddel.

Produktet bør bruges under velbelyste forhold.

Brug de angivne tilbehørssæt til højtryksrenseren, når du bruger den til et andet formål, såsom sprøjtning med forbrugerrensings- og desinfektionsmidler.

Må ikke bruges til andre formål.

⚠ ADVARSEL! Produktet er beregnet til at blive brugt sammen med et neutralt rengøringsmiddel leveret eller anbefalet af producenten. Brugen af andre rengøringsmidler eller kemikalier kan påvirke produktets sikkerhed.

GENERELLE SIKKERHEDSADVARSLER

⚠ ADVARSEL! Alle sikkerhedsadvarsler og alle anvisninger skal læses. Manglende overholdelse af advarselne og anvisningerne kan medføre elektrisk stød, brand og/eller alvorlige personskader.

⚠ PAS PÅ! Produktet må ikke tilsluttes en drikkevandsforsyning uden at der er monteret en tilbageløbsventil i henhold til EN 12729, type BA. Vand, der strømmer gennem en tilbageløbsventil, anses ikke for at være drikkeligt. Forbind ikke produktet til den offentlige vandforsyning.

- Produktet er ikke beregnet til brug af børn eller personer med begrænsede fysiske, sensoriske eller psykiske evner eller manglende erfaring og viden. Børn bør holdes under tilstrækkeligt opsyn, så man er sikker på, at de ikke leger med produktet.
- Brug komplet personligt beskyttelsesudstyr ved betjening af produktet såsom beskyttelsesbriller og høreværn.
- Hold børn og omkringstående på sikker afstand for at reducere risikoen for personskader. Alle omkringstående skal bære beskyttelsesbriller og holdes i sikker afstand fra arbejdsområdet.

- Sørg for, at sikkerhedsanordningerne er i god stand. Sørg for, at alle sikkerhedsanordninger fungerer korrekt før hver brug.

- Brug ikke produktet, hvis vigtige dele er beskadigetsåsom sikkerhedsanordningerne eller sprøjtetaven.

⚠ ADVARSEL! Under brugen af produktet, kan der dannes aerosoler. Indånding af sprøjtetåger kan være farlige for helbredet. Et åndedrætsværn i klasse FFP 2 eller tilsvarende være nødvendigt, afhængig af renligheden af arbejdsmiljøet.

- Drej ikke på dysen, mens du trækker i udløseren. Hvis vandet løber, mens dysen drejes, løber vandet ud gennem aflastningskanalen. Dette er ikke en lækage, men tillader vandet at løbe ud uden at beskadige værktøjet.

- Højtryksstråler er farlige ved misbrug. Vandstrålen må ikke rettes mod personer, strømførende elektrisk udstyr eller selve produktet.

- Ret ikke vandstrålen mod dig selv eller andre for at rense/rengøre tøj eller fodtøj.

- Slanger, fittings og koblinger er vigtige for produktets sikkerhed. De benyttede slanger, fittings og koblinger skal være anbefalet af producenten.

- Nogle områder har regler, som begrænser brugen af produktet. Forhør dig hos de lokale myndigheder.

- Kontrollér for skader før hver brug. Beskadigede slanger skal udskiftes straks. Sørg for, at alle tilslutninger såsom sprøjtelanse og strålemundstykke er fastgjorte. Rul slangen ordentlig ud, så den ikke bliver snoet eller bøjet.

- Luk døre og vinduer, før du starter højtryksrensningen. Ryd området, der skal renses, for affald, legetøj, udendørsmøbler, eller andre genstande, som kan udgøre en fare.

- Du må ikke bruge produktet i temperaturer under 0 °C.

- Brug ikke syrer, basiske produkter, opløsningsmidler eller industriopløsninger med dette produkt. Disse produkter kan skade brugeren og påføre produktet permanent skade.

⚠ ADVARSEL! Sprøjt ikke med brandbare væsker for at undgå risikoen for eksplosion.

⚠ ADVARSEL! Højtryksstråler kan være farlige ved misbrug. Vandstrålen må ikke rettes mod personer, dyr, strømførende elektrisk udstyr eller selve produktet.

- Hold godt fast i håndtaget med begge hænder. Vær forberedt på, at håndtaget bevæger sig på grund af reaktionskræfter, når der trykkes på aftrækkeren. Er du ikke det, kan du miste kontrollen og skade dig selv og andre.
- Vær forsigtig for ikke at glide eller falde.
- Hold et godt fodfæste og balance. Overstræk ikke. Overstrækning kan føre til tab af balancen.
- Lad aldrig produktet køre uden opsyn. Sluk for produktet, og forlad det kun, efter at det er fuldstændigt stoppet. Opbevar produktet utilgængeligt for børn, når det er tændt.
- Bliv fortrolig med betjeningshåndtag. Du skal vide, hvordan man hurtigt stopper produktet og frigiver trykket.
- Vær opmærksom og i kontrol. Hold øje med, hvad du gør, og brug sund fornuft.
- Anvend ikke produktet, hvis du er træt, syg eller du har taget stoffer, drukket alkohol eller taget medicin. Et øjebliks uopmærksomhed under anvendelse af produktet kan medføre alvorlige personskader.
- Undlad at bruge produktet, hvis TÆND-/SLUK-kontakten ikke virker. Et produkt, som ikke kan betjenes med TÆND-/SLUK-kontakten, er farligt og skal repareres.
- Hold en afstand på min. 30 cm. ved rengøring af køretøjer. Højtryksstrålen kan beskadige eller sprænge bildæk og/eller dækventiler.
- Produktet må ikke bruges, hvis det er blevet tabt, hvis der er synlige tegn på skade, eller hvis det lækker.
- Længere tids brug af et værktøj kan forårsage - eller forværre - personskader. Når du bruger produktet i længere perioder, skal du sørge for at tage regelmæssige pauser.

SIKKERHEDSADVARSLER FOR BATTERI

- Brug kun producentens angivne oplader til at genoplade batteriet. En oplader, der er beregnet til én type batteri, kan udgøre en brandrisiko, hvis den bruges til en anden batteritype.

- Når batteriet ikke bruges, må det ikke opbevares sammen med metalgenstande som fx papirclips, mønter, nøgler, søm, skruer eller andre metalgenstande, som kan skabe forbindelse mellem batteriets poler. Hvis batteriets poler kortsluttes, kan det forårsage forbrændinger eller ildebrand.
 - Hold batteriet og opladeren væk fra våde og fugtige forhold.
 - Brug kun produktet med de batterier, der er anført i denne vejledning. Brug af andre batterityper kan medføre fare for personskade og brand.
 - Hvis batteriet misbruges, kan der sprøjte væske ud af det; undgå kontakt med batterivæsken. Ved kontakt med batterivæsken skylles der med vand. Hvis der kommer væske i øjnene, søges desuden læge. Udsprøjtet batterivæske kan forårsage irritation eller forbrændinger.
 - Smid ikke batteripakker ud sammen med husholdningsaffald. De skal indsamles separat og returneres til den rette genbrugsfacilitet. Forhør dig hos de lokale myndigheder eller forhandler for genbrugsråd og indsamlings steder.
 - Batteripakken har overophedningsbeskyttelse. For høje temperaturer vil bevirke, at batteriet afbryder strømforsyningen til værktøjet. Hvis batteriet er for varmt, skal du lade det køle af, før arbejdet påbegyndes igen. Hvis produktet stadig ikke fungerer, genoplad batteripakken.
- BEMÆRK:** Batteripakkens LED-indikatoren virker ikke, hvis batteripakkens beskyttelsesfunktion har stoppet batteripakken i at forsyne produktet med strøm. Slip on-off-knappen eller aftag batteriet fra produktet, og batteriets LED-indikator vil fortsætte normal funktion.

YDERLIGERE SIKKERHEDSADVARSLER OM BATTERI

⚠ ADVARSEL! Sprøjt ikke vand på produktet. Det kan beskadige batteriet.

For at undgå risiko for brand, kvæstelser eller beskadigelse af produktet forårsaget af kortslutning må værktøjet, batteripakken eller opladeren ikke nedsænkes i vand. Sørg ligeledes for, at der ikke trænger væske ind i enhederne og batterierne. Korroderende eller ledende væsker, f.eks. saltvand, bestemte

kemikalier, blegestoffer eller produkter, som indeholder blegemidler, kan forårsage kortslutning.

TRANSPORT OG OPBEVARING

- Stop produktet, fjern batteriet, og lad produktet køle af. Frakobl produktet fra vandforsyningen før opbevaring eller transport.
- Fjern vand fra alle slanger og pumpen, og tøm rengøringsmiddeltanken før produktet opbevares.
- Oprul sifonens slange pænt og opbevar den sammen med højtryksrensere.
- Afrens alle fremmedlegemer fra produktet. Opbevar det på et køligt, frostfrit, tørt sted med god ventilation, som er utilgængeligt for børn. Opbevar ikke produktet i nærheden af ovnen eller andre varmekilder, der kan udtørre pumpens tætninger. Sørg for, at produktet ikke kommer i nærheden af korrosive stoffer såsom havekemikalier og strøsalt. Opbevar ikke produktet udendørs
- Til transport skal man sikre produktet, så den ikke kan bevæge sig eller vælte; dette for at forebygge personskader eller skader på produktet.

⚠ ADVARSEL! Produktet må kun opbevares indendørs. Hvis produktet sættes til opbevaring et sted med temperatur under 0° C, vil det blive beskadiget.

TRANSPORT AF LITHIUM-BATTERIER

Batterier skal transporteres i henhold til lokale og nationale forskrifter og love.

Når batterier skal transporteres af tredjepart, skal alle specielle krav til emballering og mærkning overholdes. Man skal sikre sig, at ingen batterier under transporten kan komme i kontakt med andre batterier eller ledende materialer ved at beskytte blottede konnektorer med isolerende, ikke-ledende hætter eller tape. Undlad at transportere batterier med revner eller utætheder. Rådfør dig desuden med spedtøren.

VEDLIGEHODELSE

Brug kun originale reservedele, ekstraudstyr og tilbehør fra producenten. I modsat fald er der fare for personskader, dårlig maskinydelse og annullering af garantien.

Vedligeholdelse kræver stor omhyggelighed og viden og bør kun udføres af en

kvalificeret tekniker. Lad kun et autoriseret serviceværksted servicere produktet. Brug kun originale reservedele fra maskinproducenten i forbindelse med servicearbejde.

- Stop produktet, fjern batteriet, og lad produktet køle af. Frakobl produktet fra vandforsyningen:
 - inden rensning af produktet
 - Inden vedligeholdelse af produktet
 - inden udskiftning af reservedele
- Man kan selv foretage de justeringer eller reparationer, der er beskrevet i denne brugsanvisning. For andre reparationer eller råd skal man søge assistance på et autoriseret servicecenter.
- Efterse og vedligehold regelmæssigt produktet for at opnå en sikker drift. Sørg for, at batterirummet er korrekt samlet, tæt lukket, og kontroller ofte, om der er skader. Enhver del, som bliver beskadiget, skal repareres korrekt eller udskiftes hos et autoriseret servicecenter.
- Hvis produktet skal opbevares ubrugt i længere tid, skal batterierne fjernes.

KEND PRODUKTET

Se side 111.

1. Udløserknop
2. Krave til ekstra håndtag
3. Ekstra håndtag
4. Tilstandsvælger
5. Lav tilstand
6. Midterste tilstand
7. Høj tilstand
8. Klemme til spand
9. Tænd/Sluk-udløser
10. Låseknop
11. Håndtag
12. Rum til batteri i brug
13. Låsemekanisme
14. 2 L flaskeadapter
15. Vandindløb
16. Lyskobling
17. Sifonslange
18. Flyder
19. Filter
20. Metalstang
21. 3-i-1-dyse
22. Brugsanvisning
23. Batteri
24. Oplader
25. RYOBI rengøringsmiddel

⚠ ADVARSEL! Tilslut ikke kun 3-i-1-dysen til produktet ved hjælp af RAC764

drejeadapteren. Brug altid den medfølgende metalrør eller et forlængerrør, når du bruger drejeadapteren.

SIKKERHEDSUDSTYR

- Låseknop
 - Aftrækkerlåsen låser aftrækkeren og forhindrer utilsigtet åbning af højtryksstrålen.

SYMBOLER PÅ PRODUKTET



Advarsel



For at mindske risikoen for uheld, så skal brugeren læse og forstå denne brugsanvisning, inden produktet tages i brug.



Bær øjenbeskyttelse og passende åndedrætsværn.



Produktet er ikke egnet til at blive tilsluttet drikkevandsforsyningen, hvis der ikke er installeret en enhed til at forhindre tilbagestrømning.



Ret aldrig sprøjtelansen mod andre personer, dyr, selve højtryksrensere, strømforsyningen eller andre elapparater.



Må ikke udsættes for regn eller bruges på fugtige steder.



Europæisk overensstemmelsesmærkning



Britisk overensstemmelsesmærkning



EurAsian overensstemmelsesmærke



Ukrainsk overensstemmelsesmærkning

001



Bortskaf ikke elektriske dele og elektronisk udstyr som usorteret kommunalt affald. Kasserede elektriske dele og elektronisk udstyr skal indsamles separat. Affaldets lyskilder skal fjernes fra udstyret. Forhør dig hos de lokale myndigheder eller forhandler for genbrugsråd og indsamlings steder. Ifølge lokale bestemmelser kan detailhandlere være forpligtede til gratis at tage kasserede elektriske dele og elektronisk udstyr retur til bortskaffelse. Dit bidrag til genbrug og genanvendelse af kasserede elektriske dele og elektronisk udstyr bidrager til at reducere efterspørgslen efter råmaterialer. Kasserede elektriske dele og elektronisk udstyr indeholder værdifulde og genanvendelige materialer, som kan have en negativ indvirkning på miljøet og menneskers sundhed, hvis det ikke bortskaffes på en miljøvenlig måde. Slet persondata fra eventuelt kasseret udstyr.

SYMBOLER I DENNE BRUGSANVISNING



Dele eller tilbehør, der sælges separat



Bemærk



Advarsel

Säkerhet, prestanda och pålitlighet har fått högsta prioritet vid utformningen av din sladdlösa högtryckstvätt.

ANVÄNDNINGSSOMRÅDE

Den sladdlösa högtryckstvätten är endast avsedd för utomhusbruk.

Produkten är avsedd för hemma- eller privat bruk. Den är avsedd att användas för rengöring av utemöbler, fönster, bilar, båtar genom att hårdnackad smuts avlägsnas med rent vatten, med eller utan rengöringsmedel.

Produkten bör användas under förhållanden med god belysning.

Använd de tillbehörssatser som är avsedda för ändamålet när högtryckstvätten används i något annat syfte, till exempel för att spreja rengörings- eller desinfektionsmedel.

Får ej användas för annat ändamål.

⚠ VARNING! Produkten är avsedd för användning med ett neutralt rengöringsmedel som levereras eller rekommenderas av tillverkaren. Användning av andra rengöringsmedel eller kemikalier kan påverka produktens säkerhet negativt.

ALLMÄNNA SÄKERHETSFÖRESKRIFTER

⚠ VARNING! Läs alla säkerhetsvarningar och alla instruktioner. Om du inte följer varningarna och anvisningarna kan du orsaka elektrisk stöt, brand och allvarlig skada.

⚠ PÅMINNELSE! Produkten får inte kopplas till dricksvattenförsörjningen utan att en backventil som förhindrar returflöde, motsvarande EN 12729 Typ BA, har installerats. Vatten som passerar genom en backventil anses inte vara drickbart. Anslut inte produkten till kommunalt vatten.

- Produkten är inte avsedd att användas av barn eller av personer med minskad fysisk, sensorisk eller mental förmåga, eller som saknar erfarenhet och kunskap. Barn ska alltid övervakas så att de inte leker med produkten.
- Använd skyddsutrustning, såsom skyddsglasögon och hörselskydd, när produkten är i drift.
- För att minska olycksrisken, håll barn och besökare på avstånd. Alla besökare ska använda skyddsglasögon och befinna sig på säkert avstånd från arbetsområdet.

- Kontrollera att säkerhetsenheterna är i gott skick. Säkerställ att alla säkerhetsanordningar fungerar korrekt före varje användning.

- Använd inte produkten om de viktiga delarna, såsom säkerhetsanordningar eller sprejarm, är skadade.

⚠ VARNING! Vid användning av produkten kan aerosoler bildas. Inandning av aerosoler kan vara skadligt för hälsan. Andningsmask klass FFP 2 eller likvärdig behövs, beroende på omgivningen vid rengöringen.

- Vrid inte munstycket medan du håller in avtryckaren. Om det rinner vatten medan munstycket vrids, kommer frigöringskanalen att frigöra vattnet. Detta är inget läckage, det gör det möjligt för vattnet att frigöras utan att verktyget skadas.

- En högtrycksstråle är farlig om den missbrukas. Rikta inte strålen mot människor, inkopplad elektrisk utrustning eller mot själva produkten.

- Rikta inte strålen mot dig själv eller andra för att rengöra kläder eller skor.

- Slangar, fästen och kopplingar är viktiga för produktens säkerhet. Använd endast slangar, fästen och kopplingar som rekommenderas av tillverkaren.

- I vissa regioner finns regleringar som begränsar användning av produkten. Ta kontakt med lokala myndigheter för information.

- Före varje användning, kontrollera produkten avseende skador. Skadade slangar måste ersättas omedelbart. Säkerställ att alla anslutningar, såsom sprejarm och munstycke, är säkra. Rulla ut slangen ordentligt, så att den inte vrids eller knickas.

- Stäng dörrar och fönster innan du påbörjar någon rengöringsprocess. Avlägsna skräp, leksaker, utemöbler och andra föremål som kan utgöra en risk från det område som ska rengöras.

- Använd inte produkten vid temperaturer under 0 °C.

- Använd inte syror, alkaliska medel, lösningsmedel eller lösningar avsedda för industrin i produkten. Dessa produkter kan skada operatören fysiskt och skada produkten oåterkalleligt.

⚠ **WARNING!** För att undvika explosionsrisk, spreja inte antändliga vätskor.

⚠ **WARNING!** En högtrycksstråle kan vara farlig om den missbrukas. Strålen får inte riktas mot människor, djur, elektriska enheter eller mot själv produkten.

- Håll handtaget stadigt med båda händerna. Var beredd på att handtaget rör sig när reaktionskrafterna verkar på reglaget. Att inte vara beredd kan orsaka att du förlorar kontrollen och skadar dig själv eller andra.
- Var försiktig så att du inte halkar eller faller.
- Bibehåll ett bra fotfäste och bra balans. Sträck dig inte. Att sträcka sig kan resultera i balansförlust.
- Lämna aldrig produkten påslagen utan uppsikt. Stäng av produkten och stanna kvar tills den har stannat helt. Håll produkten utom räckhåll från barn när den är igång.
- Se till att du förstår kontrollerna. Lär dig hur du stoppar produkten och snabbt släpper ut trycket.
- Var uppmärksam och ha alltid kontroll. Se upp med vad du gör och använd sunt förnuft.
- Använd inte produkten när du är trött, sjuk eller är påverkad av droger, alkohol eller medicin. Ett ögonblick av bristande uppmärksamhet vid användning av produkten kan innebära risk för allvarlig personskada.
- Använd inte produkten om reglaget för av och på inte fungerar. En produkt som inte kan styras med strömbrytaren är farlig och ska repareras.
- Håll ett minsta avstånd på 30 cm vid rengöring av fordon. Högtrycksstrålen kan skada eller spränga fordonsdäck och/eller däckventiler.
- Produkten får inte användas om den har tappats, om det finns synliga tecken på skador eller om den läcker.
- Risk för person- eller slitageskador vid användning av verktyget under lång tid. Om en produkt används under en längre tid, var noga med att ta regelbundna pauser.

SÄKERHETSVARNINGAR FÖR BATTERIET

- Använd endast den laddare som specificeras av tillverkaren för uppladdning

av batteripaketet. En batteriladdare som passar en typ av batteripack kan vara en brandfara om den används med en annan typ av batteripack.

- När batteripaketet inte används ska det hållas bort från metallföremål som gem, mynt, nycklar, spikar, skruvar och andra små metallföremål som kan kortsluta batteriets kontakter. Vid kortslutning av batteriets kontakter finns det risk för brännskador eller brand.
- Håll batteriet och laddaren borta från våta och fuktiga förhållanden.
- Använd produkten endast med de batterier som specificeras i denna manual. Om du använder andra batteripaket ökar du risken för skador och brand.
- Vätska kan läcka ut från batteripaketet vid felaktig användning; undvik kontakt med vätskan. Spola med vatten om du kommer i kontakt med den. Uppsök omedelbart läkarhjälp om du får vätska i ögonen. Den kan orsaka irritation och brännskador.
- Kassera inte batterier tillsammans med hushållssoporna. De måste samlas in separat och lämnas på en återvinningsstation. Hör med din lokala myndighet eller din återförsäljare om råd för återvinning och insamlingsstation.
- Batteriet har överbelastningssskydd. Extrema temperaturer får batteriet att stänga av sig automatiskt. Om batteripaketet är för varmt, låt det svalna innan du återupptar arbetet. Om produkten fortfarande inte fungerar, ladda om batteripaketet.
OBS: Batteripaketets LED-indikator fungerar inte om batteripaketets skyddsfunktion orsakade att det slutade förse produkten med ström. Släpp PÅ/AV-knappen eller ta bort batteriet från produkten, därefter kommer LED-indikatorlampan för batteriet återuppta normal funktion.

YTTERLIGARE SÄKERHETSVARNINGAR FÖR BATTERIER

⚠ **WARNING!** Stänk inte vatten på produkten. Det kan skada batteripaketet.

För att undvika den fara för brand, personskador eller produktskador som orsakas av en kortslutning, doppa inte ner verktyget, batteripaketet eller laddaren i vätskor och se till att ingen vätska kan tränga in i apparaterna

eller batterierna. Korroderande eller ledande vätskor, som saltvatten, vissa kemikalier, blekningsmedel eller produkter som innehåller blekmedel, kan orsaka en kortslutning.

TRANSPORT OCH FÖRVARING

- Stoppa produkten, avlägsna batteriet och låt produkten svalna. Koppla loss produkten från vattenförsörjningen före förvaring eller transport.
- Töm ut vattnet från alla slangar och från pumpen, och töm behållaren för rengöringsmedel innan du förvarar produkten.
- Rulla ihop sifonslangen och förvara den tillsammans med högtrycksvätten.
- Ta bort allt främmande material från produkten. Förvara den på en sval, frostskyddad, torr och väl ventilerad plats som är oåtkomlig för barn. Förvara inte produkten nära en ugn eller andra värmekällor som kan torka ut pumptätningarna. Håll produkten borta från frätande ämnen, såsom trädgårdskemikalier och vägsalt. Förvara inte produkten utomhus.
- Vid transport ska produkten säkras mot rörelser eller fallande för att förhindra personskador eller att produkten skadas.

⚠ VARNING! Förvara endast produkten inomhus. Förvaring på platser med en temperatur under 0 ° skadar produkten.

TRANSPORTERA LITIUMBATTERIER

Transportera batterier enligt lokala och nationella riktlinjer och föreskrifter.

Följ alla särskilda krav på förpackning och etikettering vid transport av batterier som utförs av tredje part. Se till att inga batterier kan komma i kontakt med andra batterier eller ledande material under transporten genom att skydda exponerade kontaktytor med isolerande, icke ledande överdrag eller tejp. Transportera aldrig batterier som har spruckit eller som läcker. Kontrollera med det transporterande företaget för vidare rådgivning.

UNDERHÅLL

Använd enbart reservdelar och tillbehör från tillverkaren. Om inte kan det eventuellt orsaka skador, sämre resultat och kan upphäva garantin.

Att serva produkten kräver extrem försiktighet och kunskap och bör endast utföras av en kvalificerad servicetekniker. Produkten får endast repareras på ett auktoriserat servicecenter. Under servicearbete ska enbart tillverkarens originaldelar användas.

- Stoppa produkten, avlägsna batteriet och låt produkten svalna. Koppla loss produkten från vattenförsörjningen:
 - före rengöring av produkten
 - före underhållning av produkten
 - före montering av reservdelar
- Du får enbart göra justeringar eller reparationer som nämns i denna manual. För andra reparationer eller för råd ska du alltid vända till auktoriserat servicecenter.
- Inspektera regelbundet och underhåll produkten för säker drift. Säkerställ att batterifacket är korrekt monterat, ordentligt stängt och kontrollera regelbundet efter skador. Skadade delar skall repareras ordentligt eller bytas ut av en auktoriserad servicefirma.
- Om produkten ska förvaras utan att användas under en längre tid ska batterierna tas ur.

LÄR KÄNNA PRODUKTEN

Se sida 111.

1. Lösgöringsknapp
2. Krage för extra handtag
3. Extra handtag
4. Lägesväljare
5. Lågt läge
6. Mellanläge
7. Högt läge
8. Klämma för hink
9. Strömbrytare
10. Låsknapp
11. Handtag
12. Fack för batteri som används
13. Regel
14. 2 liters flaskadapter
15. Vatteninlopp
16. Snabbkoppling
17. Sifonslang
18. Yt rengörare
19. Filter
20. Metallstav
21. Munstycke 3-i-1
22. Bruksanvisning
23. Batteri
24. Batteriladdare
25. RYOBI-rengöringsmedel

⚠ VARNING! Anslut inte 3-i-1-munstycket till produkten med enbart den roterbara adaptorn RAC764. Använd alltid den medföljande metallstaven eller en förlängningsstav när du använder den roterbara adaptorn.

SÄKERHETSENHETER

- Låsknapp
 - Utlåsningsspärren låser spärren och förhindrar oavsiktlig öppning av högtrycksstrålen.

SYMBOLER PÅ PRODUKTEN



Varning



För att minska risken för skador måste användaren läsa, och förstå användningsmanualen innan han eller hon använder produkten.



Använd skyddsglasögon och lämpligt andningsskydd.



Produkten är inte lämplig för anslutning till dricksvattenförsörjningen utan backventil.



Rikta aldrig spolarmen mot andra människor, djur, maskinstommen, strömförsörjningen eller andra elektriska enheter.



Utsätt inte för regn eller våta omgivningar.



CE-märkning



Brittisk CE-märkning



EurAsian
överensstämmelsesymbol



001

Ukrainsk CE-märkning

Kassera inte elektriskt avfall och elektronisk utrustning som osorterat kommunalt avfall. Elektriskt avfall och elektronisk utrustning måste samlas in separat. Ljuskällor måste plockas bort från utrustningen. Hör med din lokala myndighet eller din återförsäljare om råd för återvinning och insamlingsstation. Enligt lokala bestämmelser kan återförsäljare ha en skyldighet att kostnadsfritt ta tillbaka elektriskt avfall och elektronisk utrustning. Ditt bidrag till återanvändning och återvinning av elektriskt och elektroniskt avfall bidrar till att minska behovet av råmaterial. Elektriskt och elektroniskt avfall innehåller värdefulla och återvinningsbara material som kan påverka miljön och människors hälsa negativt, om de inte kasseras på ett miljömässigt kompatibelt sätt. Radera eventuella personuppgifter från avfallsutrustningen.



SYMBOLER I MANUALEN



Delar och utrustning säljs separat



OBS



Varning

Turvallisuus, tehokkuus ja käyttövarmuus ovat langattoman painepesurimme tärkeimpiä ominaisuuksia.

KÄYTTÖTARKOITUS

Langaton painepesuri on tarkoitettu vain ulkokäyttöön.

Tuote on tarkoitettu kotikäyttöön. Sillä on tarkoitus poistaa pinttynyt lika pihakalusteista, ikkunoista, autoista ja veneistä puhtaan, puhdistusainetta sisältävän tai ilman puhdistusainetta olevan veden avulla.

Tilan, jossa laitetta käytetään, on oltava hyvin valaistua.

Käytä tehopesuriin tarkoitettuja lisävarustesarjoja, kun käytät sitä mihin tahansa muuhun tarkoitukseen, kuten kuluttajaluokan puhdistus- ja desinfiointiliuosten ruiskuttamiseen.

Älä käytä muihin tarkoituksiin.

VAROITUS! Tämä tuote on suunniteltu käyttämään mukana toimitettua tai valmistajan suosittelemaa neutraalia puhdistusainetta. Muiden puhdistusaineiden tai kemikaalien käyttö saattaa vaikuttaa haitallisesti tuotteen turvallisuuteen.

YLEISET TURVALLISUUSVAROITUKSET

VAROITUS! Lue kaikki turvallisuusvaroitukset ja ohjeet. Varoitusten ja ohjeiden laiminlyönnistä voi seurata sähköisku, tulipalo ja/tai vakava loukkaantuminen.

HUOMAUTUS! Tuotetta ei saa liittää juomaveden tuloliitäntään ilman, että siihen on asennettu takaisinvirtauksen estin, joka täyttää standardin EN 12729, tyyppi BA vaatimukset. Takaisinvirtauksen estimen läpi virtaava vesi ei ole juomakelpoista. Älä liitä tuotetta juomavesijohtoon.

- Tätä tuotetta eivät saa käyttää lapset tai sellaiset henkilöt, joiden fyysiset, aistimukselliset tai henkiset kyvyt ovat alentuneet tai joilta puuttuu tuotteen käyttöön tarvittava kokemus ja tuntemus. Lapsia on pidettävä asianmukaisesti silmällä, jotta he eivät pääse leikkimään tuotteella.
- Suojaudu pesuria käyttäessäsi henkilönsuojaimilla, kuten suojalaseilla ja kuulosuojaimilla.

- Vähentääksesi henkilövahinkojen riskiä pidä lapset ja vierailijat pois työskentelypaikoilta. Kaikkien sivullisten on käytettävä suojalaseja ja pysyttävä turvallisen etäisyyden päässä työskentelyalueelta.

- Varmista, että turvalaitteet ovat hyvässä toimintakunnossa. Varmista ennen käyttöä, että kaikki turvalaitteet toimivat kunnolla.

- Älä käytä pesuria, jos sen tärkeitä osia, kuten turvalaitteet tai ruiskuvarsi, on vahingoittunut.

VAROITUS! Tuotteen käytön aikana voi muodostua aerosoleja. Aerosolien hengittäminen voi olla terveydelle haitallista. FFP 2-luokan hengityssuojain tai muu vastaava saattaa olla tarpeen puhdistusympäristön mukaan.

- Älä käännä suutinta vetäessäsi liipaisinta. Jos vesi virtaa suuttimen kääntämisen aikana, ohivirtauskanava vapauttaa veden. Tämä ei ole vuotoa, mutta vesi voi poistua työkalua vahingoittamatta.

- Korkeapainesuihku on väärin käytettynä vaarallinen. Älä suuntaa suihkua ihmisiä, jännitteen alaisia sähkölaitteita tai itse pesuria kohti.

- Älä suuntaa pesuria itseäsi tai muita ihmisiä kohti, kun puhdistat vaatteita tai jalkineita.

- Letkut, kiinnittimet ja liittimet ovat tuotteen turvallisuuden kannalta tärkeitä. Käytä vain valmistajan suosittelemissa letkuissa, kiinnittimissä ja liittimissä.

- Joillain alueilla vallitsee säädöksiä, jotka rajoittavat tämän tuotteen käyttöä. Pyydä paikallisilta viranomaisilta neuvoa.

- Tarkasta aina ennen käyttöä, onko tuotteessa vaurioita. Vahingoittuneet letkut on korvattava uusilla viipymättä. Varmista, että kaikki liitännät, kuten ruiskuvarsi ja suutin, ovat kunnolla kiinni. Vedä letku ulos kelasta kunnolla niin, että se ei väännä tai taitu.

- Sulje ovet ja ikkunat ennen puhdistustyön aloittamista. Poista roskat, lelut, ulkokuonekalut tai muut mahdollisesti vaaroja synnyttävät esineet puhdistettavalta alueelta.

- Älä käytä tuotetta alle 0 °C:n lämpötiloissa.

- Älä käytä happoja, emäksisiä aineita, liuottimia tai teollisuuskäytön vahvoja liuoksia tuotteessa. Nämä tuotteet voivat

aiheuttaa fyysisiä vammoja käyttäjälle tai pysyviä vaurioita tuotteeseen.

⚠ **VAROITUS!** Jotta voit välttää räjähdysten, älä ruiskuta syttyviä nesteitä.

⚠ **VAROITUS!** Korkeapainesuihku voi olla vaarallinen, jos sitä käytetään väärin. Suihkua ei saa kohdistaa ihmisiin, eläimiin, sähkölaitteisiin tai itse tuotteeseen.

- Pidä kahvasta kiinni tukevalla otteella molemmin käsin. Valmistu siihen, että kahva liikkuu reaktiivoimien vuoksi, kun liipaisinta vedetään. Tämän ohjeen laiminlyönti voi johtaa hallinnan menetykseen ja itsesi tai muiden loukkaantumiseen.
- Noudata varovaisuutta liukastumisien tai kaatumisen välttämiseksi.
- Pidä vakaa tasapaino. Älä kurkota liian pitkälle. Liian pitkälle kurkotta minen saattaa johtaa tasapainon menettämiseen.
- Älä koskaan jätä käynnissä olevaa tuotetta valvomatta. Sammuta tuote, mutta älä jätä sitä ennen kuin se on kokonaan pysähtynyt. Kun tuote on päällä, pidä se poissa lasten ulottuvilta.
- Tutustu hyvin kaikkiin säätimiin. Tunne, kuinka tuote sammutetaan ja kuinka paine vapautetaan nopeasti.
- Pysy aina valppaana ja hallitse työkalusi. Keskity työhösi ja käytä tervettä järkeä.
- Älä käytä tuotetta väsyneenä, sairaana tai huumeiden, alkoholin tai lääkkeiden vaikutuksen alaisena. Tarkkaamattomuus tuotetta käytettäessä saattaa johtaa vakavaan loukkaantumiseen.
- Älä käytä tuotetta, jos se ei käynnisty ja sammu katkaisimesta. Jos tuotetta ei voida hallita katkaisimella, se on vaarallinen ja vaatii korjaamista.
- Säilytä vähintään 30 cm:n etäisyys, kun puhdistat ajoneuvoja. Korkeapainesuihku voi vahingoittaa ajoneuvon renkaita tai niiden venttiilejä.
- Tuotetta ei pidä käyttää, jos se on pudonnut, siinä on näkyviä merkkejä vahingoittumisesta tai jos se vuotaa.
- Laitteen pitkittynyt käyttö voi aiheuttaa vaikeuttaa vammoja. Jos käytät laitetta jatkuvasti pitkään, muista pitää työssä säännöllisiä taukoja.

AKUN TURVALLISUUSVAROITUKSET

- Lataa akku vain valmistajan määrittelemällä laturilla. Yhden tyyppiselle akulle sopivan laturin käyttö toisenlaisen akun kanssa voi olla vaarallista.
 - Kun akkua ei käytetä, pidä se erillään metalliesineistä, kuten paperiliittimistä, kolikoista, avaimista, nauloista, ruuveista ja muista pienistä metalliesineistä, jotka voivat yhdistää akun navat. Akun napojen oikosulkeminen voi aiheuttaa palovammoja ja tulipalon.
 - Pidä akku ja laturi pois märistä ja kosteista olosuhteista.
 - Käytä tuotetta vain tässä oppaassa mainittujen akkujen kanssa. Muiden akkujen käyttö voi johtaa loukkaantumiseen ja tulipaloon.
 - Jos akkua käsitellään väärin, siitä voi vuotaa nestettä; älä kosketa sitä. Jos kosketat sitä vahingossa, huuhtelee se vedellä. Jos nestettä pääsee silmiin, hakeudu lisäksi lääkärin hoitoon. Akusta vuotanut neste voi ärsyttää ihoa ja aiheuttaa palovammoja.
 - Älä jätä akkua yhdessä kotitalousjätteen kanssa hävitettäväksi. Akut pitää kerätä erikseen ja palauttaa ympäristölle mahdollisimman vähäisen kuormituksen aiheuttavaan kierrätyslaitokseen. Selvitä paikkakuntasi viranomaisilta tai jälleenmyyjältäsi kierrätystä koskevat ohjeet ja akkujen keräyspisteet sijainti.
 - Akussa on ylikuumentumissuojaus. Liian kuuma lämpötila saa akun lakkaamaan antamasta virtaa. Jos akkupakkaus on kuumennut liikaa, anna sen jäähtyä ennen käytön jatkamista. Jos tuote ei vielääkään toimi, lataa akkupakkaus uudelleen.
- HUOMAUTUS:** Akkupakkauksen LED-merkkivalo ei toimi, jos akkupakkauksen suojausominaisuus on estänyt sitä tarjoamasta tuotteelle tehoa. Vapauta käynnistyspainike tai poista akku laitteesta, jolloin akun LED-valon toiminta palaa normaaliiksi.

MUITA AKUN TURVALLISUUSVAROITUKSIA

⚠ **VAROITUS!** Älä roiskuta vettä tuotteeseen. Muutoin akkupakkaus saattaa vahingoittua.

Jotta vältetään lyhytsulun aiheuttama tulipalon, loukkaantumisen tai tuotteen vahingoittumisen

vaara, älä koskaan upota työkalua, vaihtoakkuja tai latauslaitetta nesteeseen ja huolehdi siitä, ettei mitään nesteitä pääse tunkeutumaan laitteiden tai akkujen sisään. Syövyttävät tai sähköä johtavat nesteet, kuten suolavesi, tietyt kemikaalit ja lalkaisuaaineet tai valkaisuaineita sisältävät tuotteet voivat aiheuttaa lyhytsulun.

KULJETUS JA VARASTOITAESSA

- Sammuta tuote, poista akku ja anna tuotteen jäähtyä. Irrota tuote vesijohtoverkosta ennen kuljetusta tai siirtämistä säilytyspaikkaan.
- Poista vesi kaikista letkuista ja pumpusta ja tyhjennä pesuainesäiliö ennen tuotteen säilytyspaikkaan siirtämistä.
- Kääri sifoniletku huolellisesti ja säilytä sitä yhdessä tehopesurin kanssa.
- Puhdista laitteesta kaikki vieraat materiaalit. Säilytä tuotetta kuivassa, viileässä ja hyvin tuuletetussa paikassa, jossa lämpötila on yli 0 °C:ta ja johon lapsilla ei ole pääsyä. Älä säilytä tuotetta uunin tai muiden lämmönlähteiden lähellä, sillä vaarana on pumpun tiivisteiden kuivuminen. Pidä tuote erillään syövyttävistä aineista, kuten puutarhakemikaaleista ja jäänestosuolasta. Älä säilytä laitetta ulkona.
- Kiinnitä tuote kuljetettaessa siten, että se ei pääse liikkumaan tai kaatumaan, jotta välttyä loukkaantumisilta ja vaurioilta.

VAROITUS! Säilytä tuotetta vain sisätiloissa. Jos laitetta säilytetään alle 0 °C lämpötilassa, se vaurioituu.

LITIUMAKKIJEN KULJETTAMINEN

Kuljeta akkuja paikallisten ja kansallisten ehtojen ja säädösten mukaisesti.

Noudata kaikkia pakkaamista ja nimeämistä koskevia erikoissäädöksiä, kun kolmas osapuoli kuljettaa akkuja. Varmista, että mikään akku ei kosketa muita akkuja tai johtavaa materiaalia kuljetuksen aikana suojaamalla paljaat navat eristävillä, johtamattomilla korkeilla tai teipillä. Älä kuljeta akkuja, jotka ovat halkeilleet tai vuotavat. Kysy välitysyrytykseltä lisäneuvoja.

HUOLTO

Käytä ainoastaan alkuperäisiä valmistajan tuottamia varaosia, lisälaitteita ja lisävarusteita. Tämän noudattamatta jättäminen voi johtaa loukkaantumiseen ja huonoon tulokseen ja voi mitätöidä takuun.

Huolto kaipaa suurta huolellisuutta ja hyvää työkalun tuntemusta: Se on annettava pätevän teknikon tehtäväksi. Teetä huollot ainoastaan valtuutetussa huoltoliikkeessä. Käytä huollossa ainoastaan alkuperäisiä valmistajan tuottamia varaosia.

- Sammuta tuote, poista akku ja anna tuotteen jäähtyä. Irrota tuote vedensyötöstä:
 - ennen tuotteen puhdistamista
 - ennen laitteen huoltoa
 - ennen varaosien vaihtamista
- Sinulla on lupa suorittaa ainoastaan tässä käsikirjassa kuvattuja säätöjä ja korjauksia. Pyydä apua valtuutetusta huollosta muiden korjaus- tai neuvontatarpeiden tapauksessa.
- gVarmista tuotteen turvallinen toiminta tarkastamalla ja huoltamalla se säännöllisesti. Varmista, että akkukotelo on oikein asennettu ja tiiviisti suljettu, ja tarkista se säännöllisesti vaurioiden varalta. Valtuutetun huoltopisteen on korjattava tai vaihdettava vioittuneet osat asianmukaisesti.
- Jos laite aiotaan laittaa säilytykseen käyttämättömänä pidemmäksi aikaa, akut täytyy irrottaa siitä.

TUNNE TUOTTEESI

Katso sivu 111.

1. Vapautuspainike
2. Lisäkahvan kaulus
3. Lisäkahva
4. Tilan valintakytkin
5. Hidas toimintatila
6. Keskitila
7. Nopea toimintatila
8. Kauhapidike
9. On/Off-liipaisin
10. Lukituspainike
11. Kädensija
12. Käyttöakkutila
13. Salpa
14. 2 litran pullosovitin
15. Veden sisääntulo
16. Pikaliitin
17. Sifoniletku
18. Pintapuhdistusaine
19. Suodatin
20. Metallivarsi
21. 3-in-1-suutin
22. Manuaalinen leikkuu
23. Akku
24. Laturi
25. RYOBI-pesuaine

VAROITUS! Älä liitä 3-in-1-suutinta tuotteeseen käyttämällä vain RAC764-nivelsovitinta. Käytä aina mukana toimitettua metallivartta tai jatkovartta, kun käytät nivelsovitinta.

SUOJALAITTEET

- Lukituspainike
 - Liipaisinlukko ulkona lukitsee liipaisimen ja estää korkeapainepesurin tahattoman avautumisen.

TUOTTEESSA OLEVAT SYMBOLIT



Varoitus



Onnettomuusvaarojen vähentämiseksi tämän käsikirjan sisältö on ehdottomasti luettava ja ymmärrettävä ennen työkalun käyttöä.



Käytä silmäsuojaimia ja asianmukaista hengityssuojainta.



Tämä tuote ei sovellu yhdistettäväksi juomavesiverkkoon ilman takaisinvirtauksen estolaitetta.



Älä koskaan osoita suihkutussauvaa ihmisiä, eläimiä, koneen runkoa, virtälähdettä tai mitään sähkölaitetta kohti.



Älä altista konetta sateelle tai kosteudelle.



Eurooppalainen vaatimustenmukaisuusmerkintä



Brittiläinen vaatimustenmukaisuusmerkintä



EurAsian-vaatimustenmukaisuusmerkki



001

Ukrainalainen vaatimustenmukaisuusmerkintä

Älä hävitä sähkö- ja elektroniikkalaiteromu lajittelemattomana yhdyskuntajätteenä. Sähkö- ja elektroniikkalaiteromu on kerättävä erikseen. Hukkavalonlähteet on poistettava laitteista. Selvitä paikkakuntasi viranomaisilta tai jälleenmyyjältäsi kierrätystä koskevat ohjeet ja akkujen keräyspisteen sijainti. Paikallisten määräysten mukaan jälleenmyyjillä voi olla velvollisuus ottaa sähkö- ja elektroniikkalaiteromu takaisin veloitusetta. Panoksesi sähkö- ja elektroniikkalaiteromun uudelleenkäyttöön ja kierrätykseen auttaa vähentämään raaka-aineiden kysyntää. Sähkö- ja elektroniikkalaiteromu sisältää arvokkaita ja kierrätettäviä materiaaleja, jotka voivat vaikuttaa haitallisesti ympäristöön ja ihmisten terveyteen, jos niitä ei hävitetä ympäristöystävällisellä tavalla. Poista mahdolliset henkilötiedot jätelaitteista.

TÄMÄN KÄSIKIRJAN SYMBOLIT



Osat ja lisävarusteet on hankittava erikseen



Huom



Varoitus

Sikkerhet, ytelse og pålitelighet har fått topp prioritet ved konstruksjonen av denne kabelfrie høytrykksspyleren.

TILTENKT BRUK

Den kabelfrie høytrykksspyleren er kun beregnet til utendørs bruk.

Dette produktet er konstruert for hjemmebruk. Den er beregnet for å rengjøre utemøbler, vinduer, biler, båter ved å fjerne vanskelig smuss med rent vann med eller uten rengjøringsmiddel.

Det skal brukes under godt opplyste forhold.

Bruk det tilegnede tilbehørssettet for høytrykksspyleren ved bruk av denne til noe annet formål, slik som å sprøyte rengjøringsløsninger og desinfeksjonsmidler til privat bruk.

Den skal ikke brukes til noe annet formål

⚠ ADVARSEL! Det er meningen at maskinen brukes med et nøytralt vaskemiddel fra produsenten eller et vaskemiddel som produsenten har anbefalt. Bruk av andre rengjøringsmidler eller kjemikalier kan gå ut over maskinens sikkerhet.

GENERELLE SIKKERHETSADVARSLER

⚠ ADVARSEL! Les alle sikkerhetsadvarslene og alle instruksjonene. Å unnlate å følge advarslene og instruksjonene kan føre til elektrisk støt, brann og alvorlig personskade.

⚠ FORSIKTIGHETSREGEL! Hvis maskinen kobles til en drikkevannskilde, må den først utstyres med en tilbakeslagsventil tilsvarende EN 12729 type BA. Vann som strømmer gjennom en tilbakeslagsventil, egner seg ikke som drikkevann. Ikke koble produktet til det offentlige drikkevannforsyningsnettet.

- Maskinen skal ikke brukes av barn eller personer med redusert fysisk, sensorisk eller mental kapasitet, eller personer som mangler erfaring og kunnskaper. Barn må ha riktig tilsyn for å sikre at de ikke leker med produktet.
- Bruk personlig verneutstyr når du bruker produktet, slik som vernebriller og hørselvern.
- Hold barn og besøkende unna for å redusere risikoen for skader. Alle tilskuere skal bruke vernebriller og holdes på trygg avstand fra arbeidsområdet.

- Sørg for at sikkerhetsinnretningene er i god stand. Pass på at alle sikkerhetsinnretninger fungerer som de skal før hver gangs bruk.

- Ikke bruk produktet hvis viktige deler er skadet, slik som sikkerhetsenheter eller strålestav.

⚠ ADVARSEL! I løpet av bruken av produktet kan det dannes aerosoler. De kan være helseskadelig å puste inn aerosoler. En luftmaske av klasse FFP 2 eller tilsvarende kan være nødvendig, avhengig av rengjøringsomgivelsene.

- Ikke slå av dysen ved å trekke i utløseren. Hvis vannet strømmer mens dysen er vendt bort, vil avlastningskanalen frigi vannet. Dette er ikke en lekkasje, men gjør at vannet kan komme unna uten å skade verktøyet.

- Høytrykksstrålen er farlig hvis den brukes feil. Ikke rett strålen mot folk, strømførende elektronikk eller selve maskinen.

- Ikke rett strålen mot deg selv eller andre i den hensikt å rengjøre klær eller fottøy.

- Slinger, beslag og koblinger er viktige for maskinens sikkerhet. Bruk bare slanger, beslag og koblinger som er anbefalt av produsenten.

- Noen regioner har bestemmelser som begrenser bruk av dette produktet. Spør de lokale myndigheter for råd.

- Se etter eventuelle skader før hver gangs bruk. Skadede slanger må skiftes ut umiddelbart. Pass på at alle tilkoblinger, som spylestav og dyse, er sikre. Rull slangen ordentlig ut slik at den ikke blir vridd eller får en bend.

- Lukk dører og vinduer før rengjøringen. Rydd området som skal rengjøres, for rusk, leker, utemøbler og andre gjenstander som kan skape farlige situasjoner.

- Ikke bruk maskinen når det er minusgrader.

- Ikke bruk syrer, baser, løsemidler eller industrielle oppløsninger i maskinen. Slike produkter kan føre til fysiske skader på operatøren og irreversibel skade på maskinen.

⚠ ADVARSEL! Ikke spray brennbare væsker, da dette kan føre til eksplosjon.

⚠ ADVARSEL! Høytrykksstrålen kan være farlig hvis den brukes feil. Strålen må ikke rettes mot personer, dyr, elektrisk utstyr eller selve maskinen.

- Hold fast i håndtaket med begge hender. På grunn av tilbakeslagskreftene må du være forberedt på at håndtaket kan slå tilbake når du trykker inn utløseren. Ellers risikerer du at du mister kontrollen og skader deg selv og andre.
- Vær forsiktig så du ikke sklir eller faller.
- Ha god fotfeste og ballanse til enhver tid. Ikke len deg for langt. Hvis du lener deg for langt, kan du miste balansen.
- La aldri maskinen gå uten tilsyn. Slå av produktet og forlat det først etter at det har stoppet fullstendig. Oppbevar produktet utilgjengelig for barn når det forsynes med strøm.
- Gjør deg kjent med kontrollene. Sett deg inn i hvordan du stopper maskinen og utløser trykket raskt.
- Vær våken og behold kontrollen. Se hva du gjør og bruk fornuft.
- Ikke bruk produktet når du er trøtt, syk eller påvirket av stoffer, alkohol eller medisiner. Et øyeblikk med uoppmerksomhet under bruk av produktet kan føre til alvorlige personskader.
- Ikke bruk verktøyet hvis bryteren ikke slår verktøyet av og på. Et produkt som ikke kan kontrolleres med bryteren er farlig og må repareres.
- Hold en avstand på minst 30 cm når du rengjør biler. Høytrykksstrålen kan skade dekk og dekkventiler eller få dem til å revne.
- Produktet skal ikke brukes hvis det har falt ned, hvis det er synlige tegn på skade eller hvis det lekker.
- Hvis man bruker verktøyet for lenge av gangen, kan det føre til eller forverre allerede eksisterende personskade. Sørg for å ta regelmessige pauser når du bruker et produkt over lengre tid.

SIKKERHETSADVARSLER FOR BATTERI

- Batteriet skal bare lades med laderen som er spesifisert av produsenten. En lader som passer til en type batteripakke kan skape risiko for brann dersom den brukes til en annen type batteripakke.
- Når batteripakken ikke er i bruk, hold den vekke fra metallgjenstander som binders, mynter, nøkler, spiker, skruer og annet som kan forbinde de to

terminalene med hverandre. Kortslutning av batteriterminalene kan føre til brenning eller brann.

- Hold batteriet og laderen unna våte og fuktige forhold.
 - Bruk bare maskinen med batteritypen som er angitt i denne håndboken. Bruk av andre batteripakker kan føre til risiko for skade og brann.
 - Dersom batteriet misbrukes kan det slippe ut væske, unngå hudkontakt med væsken. Hvis du får kontakt med væsken fra batteriet, skyll med rikelige mengder vann. Hvis væsken får kontakt med øynene må det søkes medisinsk hjelp. Væske som kommer ut av batteriet kan føre til irritasjon eller brannskade.
 - Ikke kast batteripakker sammen med husholdningssøppel. De må samles inn separat og returneres til en miljøvennlig kildesortering. Spør lokale myndigheter eller utsalget for råd om resirkulering og steder for kildesortering.
 - Batteripakken har overopphetingsbeskyttelse. Høye temperaturer kan føre til at batteriet slutter å drive verktøyet. Hvis batteriet kjennes for varmt, må det få tid på å kjøle seg ned før du starter enheten igjen. Hvis produktet fortsatt ikke fungerer, lad opp batteripakken igjen.
- MERK:** Batteripakkens LED-indikator vil ikke fungere hvis batteripakkebeskyttelsesfunksjonen har fått batteripakken til å stoppe strømforsyningen til produktet. Slipp opp på/av-knappen eller ta batteriet ut av produktet, så vil batterilampen gjenoppta normal funksjon.

EKSTRA SIKKERHETSINSTRUKSER FOR BATTERI

⚠ **ADVASEL!** Ikke sprut vann på produktet. Det kan skade batteripakken.

For å unngå fare for en brann forårsaket av en kortslutning, personskader eller skader på produktet, må det forhindres at batteripakken eller laderen dyppes i væsker. Det må også sørges for at ingen væsker kan trenge inn i apparatene eller batteriene. Korroderende og ledende væsker som saltvann, visse kjemikalier og blekemidler eller produkt som inneholder blekemidler kan forårsake en kortslutning.

TRANSPORT OG LAGRING

- Stopp maskinen, ta ut batteriet og la maskinen kjøle seg ned. Koble maskinen fra vanntilførselen før du setter den bort eller transporterer den.
- Tøm alle slanger og pumper for vann, og tøm vaskemiddeltanken før du setter bort maskinen.
- Vikle opp sifongslangen og lagre den med høytrykksspyleren.
- Fjern alle fremmedelementer fra produktet. Oppbevar den på et kjølig, frostfritt og tørt sted med god utlufting og utilgjengelig for barn. Ikke oppbevar produktet i nærheten av ovner eller andre varmekilder som kan tørke ut pumpetettingene. Hold avstand til korroderende midler som havekjemikalier og avisingsalt. Produktet skal ikke oppbevares utendørs.
- Ved transport må produktet sikres mot å komme i bevegelse eller falle for å unngå skade på personer eller produktet.

⚠ ADVARSEL! Produktet skal kun oppbevares innendørs. Den vil ta skade hvis den oppbevares på et sted med minusgrader.

TRANSPORTERE LITIUM-BATTERIER

Transporter batterier i henhold til lokale og nasjonale lover og forskrifter.

Følg alle spesialkrav med hensyn til emballering og merking når batterier transporteres av en tredjepart. Påse at ingen batterier kan komme i kontakt med andre batterier eller ledende materialer under transporten ved å beskytte åpne kontakter med isolasjon, ikkeledende lokk eller tape. Ikke transporter batterier som er sprukne eller som lekket. Kontakt speditøren for å få ytterligere råd.

VEDLIKEHOLD

Bruk kun produsentens originale reservedeler, tilleggsutstyr og påsatser. Dersom dette ikke følges, kan det forårsake personskader, dårlig funksjon og kan annullere garantien din.

Service krever meget stor forsiktighet og kunnskap og bør utføres kun av kvalifisert teknisk personale. Få utført service på produktet kun av et autorisert servicesenter. For service av maskinen, bruk kun produsentens originale reservedeler.

- Stopp maskinen, ta ut batteriet og la maskinen kjøle seg ned. Koble maskinen fra vanntilførselen:
 - før rengjøring av produktet
 - før vedlikehold av produktet
 - før utskiftning av reservedeler
- Du kan bare foreta justeringer og reparasjoner som er beskrevet i denne brukermanualen. For andre typer reparasjoner eller råd anbefales det å kontakte et autorisert servicesenter.
- Inspiser og vedlikehold produktet regelmessig for å sørge for sikker drift. Se til at batteridelen er riktig montert, trekk godt til og sjekk ofte etter skader. Enhver del som er skadet må repareres eller skiftes ut på fagmessig måte ved et autorisert serviceverksted.
- Fjern batteriene hvis produktet blir lagret eller ikke brukt over en lengre periode.

KJENN PRODUKTET DITT

Se side 111.

1. Lineutløserknapp
2. Hjelpéhåndtak krage
3. Hjelpéhåndtak
4. Moduskontrollvelger
5. Lav modus
6. Midtre modus
7. Høy modus
8. Bøtteklemme
9. Av/På-bryter
10. Låseknapp
11. Håndtak
12. Batterirom i bruk
13. Lås
14. 2 l flaskeadapter
15. Vanninntak
16. Hurtigkobling
17. Hevertslange
18. Overflaterengjører
19. Filter
20. Metallvegg
21. 3-i-1-dyse
22. Brukermanual
23. Batteri
24. Lader
25. RYOBI rengjøringsmiddel

⚠ ADVARSEL! Koble ikke 3-i-1-munnstykket til produktet kun ved hjelp av den svingbare RAC764-adapteren. Bruk alltid den medfølgende metallstaven eller en forlengelsesstav når du bruker den svingbare adapteren.

SIKKERHETSANORDNINGER

- Låseknapp
 - Sperren på utløserhåndtaket sperrer for håndtaket og hindrer at det utilsiktet blir åpnet for høytrykksstrålen.

SYMBOLER PÅ PRODUKTET



Advarsel



For å redusere faren for personskade må brukeren ha lest og forstått bruksanvisningen før produktet tas i bruk.



Bruk øyevern og egnet åndedrettsmaske.



Hvis maskinen skal kobles til en drikkevannskilde, må den først utstyres med en tilbakeslagsventil.



Rett aldri sprayrøret mot mennesker, dyr, maskinen selv, strømforsyningen eller elektriske apparater.



Ikke utsette for regn eller fuktige forhold.



Europeisk samsvarsmerking



Britisk samsvarsmerking



EurAsian samsvarsmerke



Ukrainsk samsvarsmerking

001



Ikke kast elektrisk og elektronisk utstyrsavfall som usortert kommunalt avfall. Elektrisk og elektronisk utstyrsavfall må samles inn separat. Avfallslyskilder må være fjernet fra utstyret. Spør lokale myndigheter eller utsalget for råd om resirkulering og steder for kildesortering. I henhold til lokale forskrifter kan forhandlere være forpliktet til å ta tilbake elektrisk og elektronisk utstyrsavfall gratis. Ditt bidrag til gjenbruk av og gjenvinning av elektrisk og elektronisk utstyrsavfall bidrar til å redusere etterspørselen etter råmaterialer. Elektrisk og elektronisk utstyrsavfall inneholder verdifulle og resirkulerbare materialer som kan påvirke miljøet og menneskets helse negativt, hvis de ikke blir kastet på en miljøkompatibel måte. Slett personlig data fra utstyrsavfall, om noen.

SYMBOLER I DENNE MANUALEN



Deler eller tilbehør som er tilgjengelige separat



Merk



Advarsel

В основе конструкции беспроводной мойки высокого давления лежат принципы безопасности, продуктивности и надежности.

НАЗНАЧЕНИЕ

Беспроводная мойка высокого давления предназначена для использования только вне помещений.

Изделие предназначено для домашнего использования. Применяется для мойки мебели для веранды, окон, автомобилей, лодок путем удаления стойкой грязи посредством чистой воды с моющим средством или без него.

Изделие должно использоваться в условиях достаточной освещенности.

Используйте указанные комплекты принадлежностей для мойки высокого давления при выполнении других задач, например, распылении бытовых чистящих и дезинфицирующих средств.

Не используйте устройство для каких-либо иных целей.

⚠ ОСТОРОЖНО! Инструмент предназначен для использования с нейтральным моющим средством, поставляемым или рекомендуемым производителем. Использование других моющих средств или химических веществ может оказать отрицательное влияние на безопасность инструмента.

ОБЩИЕ ПРАВИЛА БЕЗОПАСНОСТИ

⚠ ОСТОРОЖНО! Прочтите все предупреждения и инструкции по технике безопасности. Несоблюдение приводимых ниже предупреждений и инструкций может привести к поражению электрическим током, возгоранию или тяжким телесным повреждениям.

⚠ ПРЕДОСТЕРЕЖЕНИЕ! Инструмент нельзя использовать в системе питьевого водоснабжения без обратного клапана, установленного в соответствии со стандартом EN 12729 тип BA. Вода, проходящая через обратный клапан, не считается пригодной для питья. Запрещается подключать изделие к центральному водоснабжению.

■ Инструмент не предназначен для использования детьми или людьми с ограниченными физическими,

сенсорными или умственными способностями или с недостатком опыта или знаний. Не допускайте того, чтобы дети играли с этим устройством.

- При работе с инструментом используйте средства индивидуальной защиты, такие как защитные очки и защита органов слуха.
- Чтобы снизить риск получения травм, не допускайте детей и посетителей к инструменту. Все находящиеся рядом лица обязаны надеть защитные очки и соблюдать безопасную дистанцию от рабочей зоны.
- Убедитесь в том, чтобы защитные устройства находились в хорошем рабочем состоянии. Перед каждым использованием инструмента проверяйте работоспособность всех защитных устройств.
- Не используйте изделие в случае повреждения важных деталей, таких как защитные устройства и распылительная штанга.

⚠ ОСТОРОЖНО! В процессе работы этого изделия может образовываться аэрозольная взвесь. Вдыхание взвешенных частиц опасно для здоровья. Необходимо использовать респиратор класса FFP 2 или аналогичный, в зависимости от условий очищаемого участка.

- Запрещается вращать сопло при нажатии на спусковой рычаг. В случае, если при вращении сопла возникает течь воды, вода выводится через сбросной канал. Это не течь, а возможность отвода воды без повреждения инструмента.
- При использовании не по назначению струя высокого давления представляет опасность. Не направляйте струю на людей, включенные электроприборы или на сам инструмент.
- Не направляйте струю на себя или окружающих с целью очистки одежды и обуви.
- Для безопасной работы инструмента пользуйтесь шлангами, крепежными деталями и соединителями. Пользуйтесь только шлангами, крепежными деталями и соединителями, рекомендованными производителем.
- В некоторых регионах существуют правила, ограничивающие

использование этого продукта. Проконсультируйтесь с местными органами власти.

- Перед каждым использованием инструмента проверьте его на наличие повреждений. Поврежденные шланги подлежат немедленной замене. Проверьте надежность соединения таких деталей, как распылительная штанга и сопло. Разматывайте шланг аккуратно, чтобы он не перекрутился и не запутался.
- Перед началом процедуры очистки закройте двери и окна. Освободите участок, подлежащий очистке, от мусора, игрушек, садовой мебели и других предметов, которые могут представлять риск.
- Не используйте инструмент при температуре ниже 0°C.
- Не используйте с инструментом кислоты, щелочь, растворители, и технические растворы. Такие вещества могут стать причиной травмы оператора и нанести непоправимый ущерб инструменту.

⚠ ОСТОРОЖНО! Во избежание риска взрыва не распыляйте легковоспламеняющиеся жидкости.

⚠ ОСТОРОЖНО! Струя высокого давления при неправильном использовании является источником опасности. Струю нельзя направлять на людей, животных, электрические приборы, а также на сам инструмент.

- Крепко держите ручку двумя руками. Имейте в виду, что ручка может выдернуться при нажатии на кнопку пуска под воздействием реактивной силы. Если ручка удерживается недостаточно крепко, может произойти потеря управления и оператор или другие люди могут получить травмы.
- Работайте осторожно, чтобы не поскользнуться и не упасть.
- Держать устойчивую опору и баланс. Не перенапрягать. Перенапряжение может кончаться потерей баланса.
- Никогда не оставляйте работающий инструмент без присмотра. Выключите изделие и оставьте его без присмотра только после полной остановки. Держите изделие под напряжением вне досягаемости от детей.

■ Изучите органы управления инструментом. Узнайте, как можно остановить инструмент и быстро спустить давление.

■ Соблюдайте осторожность и осуществляйте контроль. Будьте внимательны во время работы и руководствуйтесь здравым смыслом.

■ Воздержитесь от использования изделия, если вы ощущаете усталость или болезненное состояние, а также под воздействием наркотиков, алкоголя или медицинских препаратов. Малейшая невнимательность при работе с устройством может привести к серьезным травмам.

■ Не пользуйтесь устройством, если выключатель не включается или не выключается. Любое изделие с неработающим выключателем представляет опасность и должно быть отремонтировано.

■ При очистке транспортных средств соблюдайте минимальную дистанцию 30 см. Струя высокого давления может повредить или прорвать шины и/или клапаны шин транспортного средства.

■ Изделие не подлежит использованию в случае его падения при наличии видимых признаков повреждения или утечки.

■ Слишком продолжительное использование инструмента может привести к травме. При длительном использовании изделия периодически делайте перерыв.

ТРЕБОВАНИЯ БЕЗОПАСНОСТИ ПРИ ИСПОЛЬЗОВАНИИ АККУМУЛЯТОРНОГО БЛОКА

■ Заряжать аккумуляторный блок можно только зарядным устройством, разрешенным производителем инструмента. Зарядное устройство, подходящее к одному типу аккумуляторных батарей, может создать опасность возгорания при использовании с аккумуляторными батареями другого типа.

■ Если аккумуляторная батарея не используется, храните ее отдельно от других металлических предметов, например канцелярских скрепок, монет, ключей, гвоздей, винтов и других мелких металлических предметов, которые

могут привести к замыканию контактов батареи. Замыкание контактов батареи может вызвать ожоги или привести к возгоранию.

- Храните аккумуляторный блок и зарядное устройство вдали от условий повышенной влажности.
- Используйте инструмент только с аккумуляторными блоками, указанными в настоящем руководстве пользователя. Использование аккумуляторных батарей другого типа может привести к телесным повреждениям или возгоранию.
- При ненормальных условиях из батареи может вытечь жидкость, избегайте контакта с ней. Если этого избежать не удалось, смойте жидкость водой. Если жидкость попала в глаза, после их промывания обратитесь за медицинской помощью. Жидкость, вытекающая из батареи, может вызвать раздражение или ожог.
- Не утилизируйте использованные аккумуляторные блоки вместе с бытовым мусором. Их следует собирать отдельно и сдавать на экологически безопасное предприятие по переработке мусора. Обратитесь к местным органам власти или поставщику, чтобы получить консультацию по переработке или информацию о пунктах переработки.
- Батарея оснащена защитой от перегрева. Чрезмерная температура может привести к отключению батареи инструмента. Если аккумуляторный блок чрезмерно нагрелся, перед возобновлением работы дождитесь его остывания. Если изделие по-прежнему не включается, зарядите аккумуляторный блок.

ПРИМЕЧАНИЕ: Светодиодный индикатор аккумуляторного блока не будет работать, если защитная функция аккумуляторного блока привела к отключению изделия. Отпустите кнопку включения или извлеките аккумуляторный блок из инструмента и светодиодный индикатор аккумуляторного блока возобновит нормальную работу.

ТРЕБОВАНИЯ БЕЗОПАСНОСТИ ПРИ ИСПОЛЬЗОВАНИИ ДОПОЛНИТЕЛЬНОЙ АККУМУЛЯТОРНОЙ БАТАРЕИ

⚠ ОСТОРОЖНО! Не допускайте попадания водяных брызг на изделие. Это может повредить аккумуляторный блок.

Для предотвращения опасности пожара в результате короткого замыкания, травм и повреждения изделия не опускайте инструмент, сменный аккумулятор или зарядное устройство в жидкости и не допускайте попадания жидкостей внутрь устройств или аккумуляторов. Коррозионные и проводящие жидкости, такие как соленый раствор, определенные химикаты, отбеливающие средства или содержащие их продукты, могут привести к короткому замыканию.

ТРАНСПОРТИРОВКА И ХРАНЕНИЕ

- Выключите инструмент, извлеките аккумуляторный блок и дайте инструменту остыть. Перед помещением инструмента на хранение и транспортировкой отключите инструмент от водоснабжения.
- Перед помещением инструмента на хранение удалите воду из всех шлангов и насоса и опустошите бак для моющего раствора.
- Аккуратно сверните сифонный шланг и храните его вместе с мойкой высокого давления.
- Очистите устройство от всех посторонних материалов. Храните инструмент в недоступном для детей, сухом, прохладном, хорошо вентилируемом помещении без образования инея. Запрещается хранить изделие рядом с печью и другими нагревательными приборами, которые могут высушить уплотнения насоса. Оберегайте от веществ, вызывающих коррозию, например, садовых удобрений или соли для удаления льда. Запрещается хранить изделие на улице.
- Для транспортировки закрепите изделие так, чтобы оно не могло перемещаться или упасть во избежание травмирования персонала или повреждения изделия.

⚠ ОСТОРОЖНО! Храните изделие только в помещении. Хранение инструмента при температуре ниже 0° приведет к его порче.

ПЕРЕВОЗКА ЛИТИЕВЫХ БАТАРЕЙ

Транспортировку батареи осуществляйте в соответствии местными и национальными нормами и положениями.

Следуйте всем особым требованиям к упаковке и маркировке при транспортировке батареи в сторонние организации. Проверьте, чтобы батарея не соприкасалась с другими батареями или токопроводящими материалами во время транспортировки, защитив открытые контакты с помощью изоляции, непроводящих колпачков или пленки. Не транспортируйте поврежденные или протекающие батареи. За консультацией обращайтесь в транспортно-экспедиционную компанию.

ОБСЛУЖИВАНИЕ

Используйте только оригинальные запчасти, аксессуары и насадки от производителя. Невыполнение этого требования может привести к травме, к снижению производительности и к аннулированию гарантии.

Обслуживание требует чрезвычайной заботы и знания и должно быть выполнено только квалифицированным техником обслуживания. Обратитесь в авторизованный сервисный центр. При выполнении технического обслуживания используйте только оригинальные запчасти от производителя.

- Выключите инструмент, извлеките аккумуляторный блок и дайте инструменту остыть. Отключите инструмент от водоснабжения:
 - перед очисткой изделия
 - перед техническим обслуживанием изделия
 - перед заменой деталей
- Вы можете выполнять работы по регулировке и обслуживанию, которые описаны в данном руководстве. Для проведения других ремонтных работ или за получением рекомендаций обращайтесь в авторизованный сервисный центр.
- Регулярно проводите осмотр и техническое обслуживание изделия для его безопасной эксплуатации.

Проверьте аккумуляторный отсек, плотность дверцы, а также периодически осматривайте на предмет повреждений. В случае повреждения какой-либо детали необходимо обратиться в авторизованный сервисный центр для выполнения надлежащего ремонта или замены.

- При размещении изделия на длительное хранение аккумуляторы необходимо извлекать.

ИЗУЧИТЕ УСТРОЙСТВО

См. стр. 111.

1. Кнопка выпуска лески
2. Муфта вспомогательной рукояти
3. Вспомогательная рукоять
4. Переключатель режимов
5. Медленный режим
6. Средний режим
7. Быстрый режим
8. Зажим
9. Кнопка запуска
10. Кнопка блокировки
11. Рукоятка
12. Отсек для используемых батарей
13. Защелка
14. Адаптер для бутылки 2 л
15. Водовпускное отверстие
16. Быстросъемный разъем наконечника распылителя
17. Шланг сифонного водосброса
18. Насадка для очистки поверхностей
19. Фильтр
20. Металлическая штанга
21. Насадка 3-в-1
22. Руководство оператора
23. Аккумулятор
24. Зарядное устройство
25. Моющее средство RYOBI

⚠ ОСТОРОЖНО! Не подсоединяйте насадку 3-в-1 к изделию с помощью лишь одного поворотного адаптера RAC764. Всегда применяйте входящую в комплект металлическую или удлинительную насадку при использовании поворотного адаптера.

УСТРОЙСТВА БЕЗОПАСНОСТИ

- Кнопка блокировки
 - Предохранитель спускового механизма блокирует спусковой элемент и предотвращает непроизвольный выброс струи высокого давления.

УСЛОВНЫЕ ОБОЗНАЧЕНИЯ НА ПРОДУКТЕ



Осторожно



Во избежание телесных повреждений пользователь должен внимательно ознакомиться и запомнить указания данного руководства до использования инструмента.



Надевайте соответствующую защиту для глаз и органов дыхания.



Инструмент нельзя подключать к сети коммунального водоснабжения питьевой водой без обратного клапана.



Никогда не направляйте распылитель на людей, животных, корпуса транспортных средств, источники электропитания и электрические приборы.



Не подвергайте инструмент воздействию дождя и не используйте в условиях повышенной влажности.



Знак соответствия европейским стандартам



Знак соответствия стандартам Великобритании



Знак Евразийского Соответствия



Знак соответствия Украины

001

Утилизация электрического и электронного оборудования в месте с несортированными бытовыми отходами не допускается. Сбор электрического и электронного оборудования в целях утилизации должен осуществляться отдельно. Перед утилизацией необходимо извлечь из оборудования источники света. Обратитесь к местным органам власти или поставщику, чтобы получить консультацию по переработке или информации о пунктах переработки. Ритейлеры могут быть обязаны бесплатно принимать электрическое и электронное оборудование на утилизацию в соответствии с местными регламентами. Ваш вклад в повторную переработку электрического и электронного оборудования позволит сократить потребность в сырье. Электрическое и электронное оборудование содержит ценные и подлежащие повторной переработке материалы, которые в случае ненадлежащей утилизации способны вредить экологии и здоровью людей. Перед утилизацией удалите с оборудования все персональные данные.



УСЛОВНЫЕ ОБОЗНАЧЕНИЯ В ДАННОМ РУКОВОДСТВЕ



Детали или принадлежности, приобретаемые отдельно



Примечание



Осторожно

Транспортировка:

Категорически не допускается падение и любые механические воздействия на упаковку при транспортировке.

При разгрузке/погрузке не допускается использование любого вида техники, работающей по принципу зажима упаковки.

Хранение:

Необходимо хранить в сухом месте.

Необходимо хранить вдали от источников повышенных температур и воздействия солнечных лучей.

При хранении необходимо избегать резкого перепада температур.

Хранение без упаковки не допускается.

Срок службы изделия:

Срок службы изделия составляет 5 лет.

Не рекомендуется к эксплуатации по истечении 5 лет хранения с даты изготовления без предварительной проверки.

Дата изготовления (код даты) отштампован на поверхности корпуса изделия.

Пример:

W17 Y2015, где Y2015 - год изготовления

W17 – неделя изготовления

Определить месяц изготовления можно согласно приведенной ниже таблице, на примере 2015 года.

Обратите внимание! Количество недель в месяце различается от года в год.

Месяц	Январь	Февраль	Март	Апрель	Май	Июнь	Июль	Август	Сентябрь	Октябрь	Ноябрь	Декабрь	Год
Неделя	01	05	09	14	18	22	27	31	36	40	44	49	2015
	02	06	10	15	19	23	28	32	37	41	45	50	
	03	07	11	16	20	24	29	33	38	42	46	51	
	04	08	12	17	21	25	30	34	39	43	47	52	
	05	09	13	18	22	26	31	35	40	44	48	53	
		14			27								

Bezpieczeństwo, efektywność i niezawodność były czynnikami o najwyższym priorytecie w trakcie projektowania Państwa bezprzewodowej myjki ciśnieniowej.

PRZEZNACZENIE URZĄDZENIA

Bezprzewodowa myjka ciśnieniowa przeznaczona jest do stosowania wyłącznie na wolnym powietrzu.

Produkt jest przeznaczony do domowego użytkowania. Produkt przeznaczony jest do czyszczenia mebli tarasowych, okien, samochodów, łodzi itp. poprzez usuwanie uporczywych zabrudzeń czystą wodą z dodatkiem środka czyszczącego lub bez takiego dodatku.

Produkt należy stosować w miejscu dobrze oświetlonym.

Podczas korzystania z myjki elektrycznej do innych celów, takich jak opryskiwanie środkami czyszczącymi i dezynfekującymi klasy konsumenckiej, należy używać przeznaczonych do tego celu zestawów akcesoriów.

Nie używać do żadnych innych celów.

⚠ OSTRZEŻENIE! Produkt przeznaczony jest do stosowania z neutralnym środkiem czyszczącym dostarczonym lub zalecanym przez producenta. Stosowanie innych środków czyszczących lub środków chemicznych może niekorzystnie wpływać na bezpieczeństwo produktu.

OGÓLNE OSTRZEŻENIA DOTYCZĄCE BEZPIECZEŃSTWA

⚠ OSTRZEŻENIE! Zapoznaj się ze **wszystkimi zasadami bezpieczeństwa i instrukcjami**. Niezastosowanie się do ostrzeżeń i instrukcji może spowodować porażenie prądem, pożar oraz/lub poważne obrażenia ciała.

⚠ UWAGA! Produkt nie może być zasilany ze źródła wody pitnej bez zabezpieczającego przed przepływem zwrotnym przerywacza próżni zgodnego z normą EN 12729 typ BA. Woda przepływająca przez zabezpieczający przed przepływem zwrotnym przerywacz próżni jest uważana za niezdatną do picia. Nie podłączać produktu do publicznej sieci wodociągowej doprowadzającej wodę pitną.

■ Produkt nie jest przeznaczony do używania przez dzieci lub osoby o ograniczonej sprawności fizycznej lub sensorycznej bądź

ograniczonych zdolnościach umysłowych, bądź też pozbawione doświadczenia lub wiedzy. Należy dopilnować, aby dzieci nie bawiły się produktem.

- Podczas obsługi produktu należy nosić środki ochrony indywidualnej, takie jak okulary ochronne i ochrona słuchu.
- Dzieci i goście powinni przebywać z dala od produktu, tak by można było zmniejszyć ryzyko obrażeń. Wszystkie osoby postronne powinny nosić okulary ochronne i przebywać w bezpiecznej odległości od miejsca pracy.
- Należy upewnić się, że urządzenia zabezpieczające znajdują się w dobrym stanie technicznym. Przed każdym użyciem upewnić się, czy wszystkie urządzenia zabezpieczające działają prawidłowo.
- Nie używać produktu, jeśli ważne części, takie jak zabezpieczenia lub lanca natryskowa, są uszkodzone.

⚠ OSTRZEŻENIE! Podczas używania produktu mogą powstawać aerozole. Wdychanie aerozoli może być niebezpieczne dla zdrowia. Konieczne może być zastosowanie maski oddechowej klasy FFP 2 lub równoważnej, w zależności od warunków mycia.

- Podczas pociągania za spust nie wolno obracać dyszą. Jeśli podczas obracania dyszy z produktu wypływa woda, oznacza to, że kanał odciążający wypuszcza wodę. Nie jest to przeciek, ale normalny objaw funkcjonowania zabezpieczenia umożliwiającego odprowadzenie wody bez uszkodzenia narzędzia.
- Strumień pod wysokim ciśnieniem jest niebezpieczny w przypadku nieprawidłowego stosowania. Nie kierować strumienia w stronę ludzi, sprzętu elektrycznego pod napięciem lub samego produktu.
- Nie kierować strumienia na siebie lub inne osoby w celu oczyszczenia ubrań lub obuwia.
- Stosowanie węży, złączek i innych elementów osprzętu jest istotne dla bezpieczeństwa produktu. Stosować wyłącznie węże, złączki i inne elementy osprzętu zalecane przez producenta.
- W niektórych regionach obowiązują przepisy ograniczające używanie produktu.

Informacje na ten temat można uzyskać w lokalnych urzędach.

- Przed każdym użyciem sprawdzić produkt pod kątem braku uszkodzeń. Uszkodzone węże należy bezzwłocznie wymienić. Należy upewnić się, czy wszystkie połączenia, takie jak połączenie lancy natryskowej i dyszy, są bezpieczne. Rozwijać wąż prawidłowo, tak by nie został skręcony lub zagięty.
- Przed rozpoczęciem mycia zawsze zamykać drzwi i okna. Z przeznaczonej do czyszczenia powierzchni należy usunąć gruz, zabawki, meble ogrodowe i inne przedmioty, które mogłyby spowodować zagrożenie.
- Nie używać produktu w temperaturach poniżej 0°C.
- Nie stosować w produkcji kwasów, ługów, rozpuszczalników ani roztworów przemysłowych. Produkty te mogą spowodować fizyczne obrażenia operatora i nieodwracalne uszkodzenie urządzenia.

⚠ **OSTRZEŻENIE!** Aby uniknąć ryzyka wybuchu, nie rozpylać cieczy łatwopalnych.

⚠ **OSTRZEŻENIE!** Strumień pod wysokim ciśnieniem może być niebezpieczny w przypadku nieprawidłowego stosowania. Strumienia nie wolno kierować w stronę ludzi, zwierząt, urządzeń elektrycznych lub samego produktu.

- Mocno trzymać uchwyt oburącz. Po naciśnięciu spustu należy spodziewać się odrzutu spowodowanego siłami reakcji. Niespełnienie tego warunku może spowodować utratę kontroli i obrażenia operatora oraz innych osób.
- Zachować ostrożność, aby uniknąć poślizgu lub upadku.
- Stać stabilnie, zachowując równowagę. Nie sięgać zbyt daleko. Sięganie zbyt daleko grozi utratą równowagi.
- Nigdy nie pozostawiać włączonego produktu bez nadzoru. Wyłączyć produkt i pozostawić dopiero wtedy, gdy całkowicie się zatrzyma. Gdy produkt jest on zasilany energią, należy przechowywać go w miejscu niedostępnym dla dzieci.
- Zapoznać się z elementami sterującymi. Zapoznać się ze sposobami zatrzymywania produktu i szybkiego zmniejszania ciśnienia.
- Zachować ostrożność i nie dopuszczać do utraty kontroli nad urządzeniem.

Obserwować miejsce pracy i wykonywane czynności, zachować zdrowy rozsądek.

- Nie obsługiwać tego urządzenia w stanie zmęczenia, choroby, będąc pod wpływem alkoholu, środków odurzających lub leków. Chwila nieuwagi podczas obsługi urządzenia może spowodować poważne urazy ciała.
- Nie wolno używać tego urządzenia, jeśli wyłącznik nie pracuje poprawnie. Używanie urządzenia bez sprawnego wyłącznika jest zbyt niebezpieczne - należy oddać je do naprawy.
- W trakcie mycia pojazdów zachować minimalną odległość 30 cm. Strumień pod wysokim ciśnieniem może spowodować uszkodzenie lub rozerwanie opon lub wentyli opon pojazdu.
- Produktu nie należy używać, jeśli został upuszczony, jeśli widoczne są oznaki uszkodzenia lub jeśli jest nieszczelny.
- Długotrwałe użytkowanie narzędzia może spowodować obrażenia ciała lub nasilić dolegliwości zdrowotne. W przypadku długotrwałego użytkowania jakiegokolwiek produktu należy robić regularne przerwy.

AKUMULATOR — OSTRZEŻENIA DOTYCZĄCE BEZPIECZEŃSTWA

- Akumulatory należy ładować wyłącznie za pomocą ładowarki określonej przez producenta. Ładowarka przeznaczona do jednego modelu akumulatora może być przyczyną pożaru w przypadku zastosowania do ładowania akumulatora innego typu.
- Gdy akumulator nie jest używany, przechowywać go z dala od innych metalowych przedmiotów, np. spinaczy, monet, kluczy, gwoździ, śrub lub innych małych metalowych przedmiotów, które mogłyby utworzyć połączenie między stykami, prowadząc do zwarcia. Zwarcie styków akumulatora może spowodować oparzenia lub pożar.
- Trzymać akumulator i ładowarkę z dala od miejsc mokrych lub wilgotnych.
- Używać produktu wyłącznie z akumulatorami wymienionymi w niniejszej instrukcji. Używanie innych akumulatorów wiąże się ze zwiększonym ryzykiem pożaru lub obrażeń ciała.

- W przypadku niewłaściwej obsługi może dojść do wycieku płynu z akumulatora, należy unikać kontaktu z tym płynem. Miejsce ewentualnego kontaktu przepłukać wodą. W przypadku, gdy płyn dostanie się do oczu, po przemyciu zwrócić się o pomoc do lekarza. Płyn wyciekający z akumulatora może powodować podrażnienia i oparzenia.
- Nie wyrzucać akumulatorów razem z odpadkami komunalnymi. Akumulatory należy gromadzić osobno i zwracać do przestrzegającego przepisów o ochronie środowiska zakładu recyklingu. Porady dotyczące recyklingu i informacje dotyczące punktów zbiórki odpadów można uzyskać od władz lokalnych bądź sklepu, w którym nabyto produkt.
- Akumulator jest wyposażony w zabezpieczenie przeciążeniowe. Nadmierna temperatura może spowodować wyłączenie elektronarzędzia przez akumulator. Jeśli akumulator jest zbyt ciepły, przed wznowieniem pracy należy poczekać, aż ostygnie. Jeśli produkt nadal nie będzie działał, naładuj akumulator.

UWAGA: Wskaźnik LED akumulatora nie będzie działał, jeśli akumulator przestał zasilać produkt z powodu zadziałania zabezpieczenia. Zwolnić przycisk włącznika lub wyjąć akumulator z produktu, a wskaźnik LED akumulatora ponownie zacznie prawidłowo działać.

AKUMULATOR — DODATKOWE OSTRZEŻENIA DOTYCZĄCE BEZPIECZEŃSTWA

⚠ OSTRZEŻENIE! Nie rozbryzgiwać wody na produkt. Może to spowodować uszkodzenie akumulatora.

Aby uniknąć niebezpieczeństwa pożaru, obrażeń lub uszkodzeń produktu na skutek zwarcia, niewolno zanurzać narzędzia, akumulatora wymiennego ani ładowarki w cieczach i należy zatroszczyć się o to, aby do urządzeń i akumulatorów nie dostały się żadne ciecze. Zwarcie spowodować mogą korodujące lub przewodzące ciecze, takie jak woda morska, określone chemikalia i wybielacze lub produkty zawierające wybielacze.

TRANSPORT I PRZECHOWYWANIE

- Zatrzymać produkt, wyjąć akumulator i pozostawić do ostygnięcia. Przed rozpoczęciem przechowywania lub transportu odłączyć produkt od sieci wodociągowej.

- Przed rozpoczęciem przechowywania produktu usunąć wodę ze wszystkich przewodów i pompy oraz opróżnić zbiornik na detergent.
- Schłodnie zwinąć wąż syfonowy i przechowywać go razem z myjką.
- Usunąć z produktu wszelkie zanieczyszczenia. Przechowywać produkt w miejscu suchym, dobrze wentylowanym i chłodnym, ale zabezpieczonym przed mrozem, a także niedostępnym dla dzieci. Nie należy przechowywać produktu w pobliżu pieców lub innych źródeł ciepła, które mogłyby wysuszyć uszczelki pompy. Nie przechowywać urządzenia wraz z materiałami korozyjnymi, takimi jak ogrodowe substancje chemiczne lub sól odmrażająca. Nie przechowywać produktu poza pomieszczeniami.
- W przypadku transportu produktu należy zabezpieczyć go przed przemieszczaniem się lub upadkiem, aby nie dopuścić do obrażeń ciała lub uszkodzenia urządzenia.

⚠ OSTRZEŻENIE! Produkt należy przechowywać wyłącznie w pomieszczeniach zamkniętych. Przechowywanie w temperaturze poniżej 0°C spowoduje uszkodzenie produktu.

TRANSPORTOWANIE AKUMULATORÓW LITOWYCH

Akumulatory należy transportować zgodnie z lokalnymi i krajowymi przepisami i regulacjami.

Należy postępować zgodnie z wszystkimi specjalnymi wymaganiami dotyczącymi pakowania i etykietowania akumulatorów podczas transportu przez stronę trzecią. Upewnij się, że żadne akumulatory nie zetkną się z innymi akumulatorami lub materiałami przewodzącymi podczas transportu; w tym celu należy zabezpieczyć odkryte złącza nieprzewodzącymi nakładkami izolacyjnymi lub taśmą izolacyjną. Nie należy transportować pękniętych ani nieszczelnych akumulatorów. Szczegółowe porady można uzyskać w firmie spedycyjnej.

KONSERWACJA

Należy stosować wyłącznie oryginalne części zamienne, akcesoria oraz przystawki producenta. W przeciwnym razie może dojść do obrażeń ciała, niskiej wydajności oraz do unieważnienia gwarancji.

Serwisowanie wymaga wyjątkowej staranności i wiedzy. Może być wykonywane wyłącznie przez wykwalifikowany personel serwisowy. Serwisowanie należy powierzać wyłącznie autoryzowanemu serwisowi. Do serwisowania

należy stosować wyłącznie oryginalne części zamienne producenta.

- Zatrzymać produkt, wyjąć akumulator i pozostawić do ostygnięcia. Odłączyć produkt od sieci wodociągowej:
 - przed rozpoczęciem czyszczenia produktu
 - przed rozpoczęciem konserwacji produktu
 - przed przystąpieniem do wymiany części zamiennych
- Użytkownik może jedynie wykonywać czynności regulacyjne i naprawcze opisane w tej instrukcji obsługi. W przypadku innych napraw lub pytań należy zwrócić się o pomoc do autoryzowanego punktu serwisowego.
- Produkt należy regularnie sprawdzać i konserwować w celu zapewnienia bezpiecznej pracy. Należy upewnić się, że komora akumulatora jest właściwie zmontowana i szczelnie zamknięta, a ponadto często sprawdzać ją pod kątem braku uszkodzeń. Każdą uszkodzoną część należy odpowiednio naprawić lub wymienić w autoryzowanym punkcie serwisowym.
- Jeżeli produkt ma nie być używany przez dłuższy okres, baterie należy wyjąć.

POZNAJ SWÓJ PRODUKT

Patrz str. 111.

1. Przycisk zwalniający żyłkę
2. Kołnierzą rękojęści pomocniczej
3. Rękojęść pomocnicza
4. Wybierak trybu
5. Tryb niskiej prędkości
6. Tryb pośredni
7. Tryb wysokiej prędkości
8. Zacisk do wiadra
9. Przełącznik wł./wył.
10. Przycisk blokady
11. Rękojęść
12. Komora robocza akumulatora
13. Zatrask
14. Adapter butli 2 l
15. Włot wody
16. Złącze szybkozłączki
17. Wąż z syfonem
18. Przystawka do czyszczenia powierzchni
19. Filtr
20. Lanca metalowa
21. Dysza „3 w 1”
22. Instrukcja obsługi
23. Akumulator
24. Ładowarka
25. Detergent RYOBI

⚠ OSTRZEŻENIE! Nie podłączać dyszy „3 w 1” do produktu wyłącznie za wyłącznik adaptera obrotowego RAC764. Podczas korzystania z adaptera obrotowego zawsze używać dołączanej lancy metalowej lub lancy przedłużającej.

ELEMENTY SYSTEMU BEZPIECZEŃSTWA

- Przycisk blokady
 - Blokada spustu blokuje spust i zapobiega przypadkowemu włączeniu strumienia wysokociśnieniowego.

SYMBOLE PRODUKTU



Ostrzeżenie!



Aby zmniejszyć ryzyko zranienia, użytkownik musi przeczytać i zrozumieć podręcznik obsługi przed przystąpieniem do użytkowania tego urządzenia.



Stosować ochronę oczu i odpowiednią maskę oddechową.



Produkt nie jest przystosowany do podłączania do sieci wody pitnej bez urządzenia zapobiegającego przepływowi zwrotnemu.



Nigdy nie kierować końcówki natryskowej w stronę ludzi, zwierząt, korpusu produktu, źródeł zasilania lub jakichkolwiek urządzeń elektrycznych.



Nie wystawiać urządzenia na działanie deszczu ani nie używać w miejscach o dużej wilgotności.



Symbol zgodności z przepisami europejskimi



Symbol zgodności z przepisami brytyjskimi



Oznaczenie zgodności
EurAsian



Symbol zgodności z
przepisami ukraińskimi

Zużytego sprzętu elektrycznego i elektronicznego nie należy wyrzucać jako nieposortowanych odpadów komunalnych. Zużyty sprzęt elektryczny i elektroniczny musi być gromadzony osobno. Zużyte źródła światła muszą zostać usunięte ze sprzętu. Porady dotyczące recyklingu i informacje dotyczące punktów zbiórki odpadów można uzyskać od władz lokalnych bądź sklepu, w którym nabyto produkt. Zgodnie z lokalnymi przepisami sprzedawcy detaliczni mogą być zobowiązani do nieodpłatnego odbioru zużytego sprzętu elektrycznego i elektronicznego. Państwa wkład w ponowne wykorzystanie i recykling zużytego sprzętu elektrycznego i elektronicznego pomaga zmniejszyć zapotrzebowanie na surowce. Zużyty sprzęt elektryczny i elektroniczny zawiera nadające się do recyklingu i cenne materiały i surowce, które mogą mieć negatywny wpływ na środowisko naturalne i zdrowie ludzkie, jeśli nie są usuwane w sposób przyjazny dla środowiska naturalnego. Z utylizowanego sprzętu należy usunąć wszelkie ewentualne dane osobowe.



SYMBOLE STOSOWANE W NINIEJSZEJ INSTRUKCJI



Części lub akcesoria
sprzedawane osobno



Uwaga



Ostrzeżenie!

Při konstrukci akumulátorového vysokotlakého čističe hrály hlavní roli bezpečnost, výkon a spolehlivost.

ZAMÝŠLENÉ POUŽITÍ

Tento akumulátorový vysokotlaký čistič je určen pouze pro venkovní používání.

Výrobek je navržen pro domácí používání. Slouží k čištění zahradního nábytku, oken, motorových vozidel a člunů odstraňováním odolných nečistot čistou vodou s čisticím přípravkem nebo bez něj.

Přístroj musí být používán v řádně osvětleném prostředí.

Používejte sady doplňků pro tlakový čistič, když jej budete používat pro jakýkoliv jiný účel, například k rozstříkávání spotřebitelských čisticích a desinfekčních přípravků.

Přístroj nepoužívejte ji k jiným účelům.

VAROVÁNÍ! Tento výrobek je určen k použití s neutrálním čisticím prostředkem dodávaným nebo doporučeným výrobcem. Použití jiných čisticích prostředků nebo chemikálií může mít nepříznivý dopad na bezpečnost výrobku.

VŠEOBECNÁ BEZPEČNOSTNÍ VAROVÁNÍ

VAROVÁNÍ! Přečtěte si všechny pokyny a bezpečnostní varování. Opomenutí dodržování varování a pokynů uvedených níže může způsobit úraz elektrinou požár a/nebo vážná poranění osob.

VAROVÁNÍ! Výrobek nesmí být používán na přívodu pitné vody bez instalace zábrany proti zpětnému průtoku, který vyhovuje normě EN 12729 typu BA. Voda proudící zábranou zpětného průtoku není pitná. Nepřipojujte produkt k vodovodnímu řadu.

- Výrobek není určen k použití dětmi nebo osobami se sníženou fyzickou, smyslovou nebo duševní schopností nebo s nedostatkem zkušeností a znalostí. Dohlédněte, aby si děti se spotřebičem nehrály.
- Při obsluze přístroje používejte osobní ochranné prostředky, například ochranné brýle a ochranu sluchu.
- Ke snížení rizika úrazu udržujte mimo dosah dětí a přihlížejících. Všechny osoby v okolí musí používat ochranné brýle a udržovat bezpečnou vzdálenost od prostoru používání čističe.

- Udržujte bezpečnostní prvky v dobrém funkčním stavu. Před každým použitím se ujistěte, že všechny bezpečnostní prvky správně fungují.

- Přístroj nepoužívejte, pokud jsou poškozené důležité díly, například bezpečnostní prvky nebo nástavec trysky.

VAROVÁNÍ! Během používání přístroje se může vytvářet aerosol. Vdechnutí aerosolu může být zdraví škodlivé. Podle podmínek budete potřebovat respirátor třídy FFP 2 nebo jeho obdobu.

- Při stlačené spoušti neotáčejte trysku. Pokud během otáčení trysky proudí voda, je odkláněna do odlehčovacího výtoku. Nejedná se o netěsnost, ale o funkci chránící čistič před poškozením.

- Při nesprávném použití je vysokotlaký proud nebezpečný. Nemiřte proud na lidi, elektroniku pod proudem ani na samotný přístroj.

- Nemiřte proud na sebe ani na druhé za účelem umytí oděvů či obuvi.

- Hadice, fitinky a spojky jsou důležité pro bezpečnost přístroje. Používejte pouze hadice, fitinky a spojky doporučené výrobcem.

- Místní předpisy mohou omezovat použití výrobku. Ověřte si u svého orgánu místní správy toto nařízení.

- Před každým použitím zkontrolujte, zda není výrobek poškozený. Poškozené hadice musí být okamžitě vyměněny. Všechny spoje, například připojení nástavce a trysky, musí být pevné a bez netěsností. Řádně hadici narovnejte, aby se nezalomila nebo nezkroutila.

- Před začátkem čištění zavřete dveře a okna. Ukliděte čištěný prostor a odstraňte veškeré volné předměty, hračky, venkovní nábytek a jiné věci, které by mohly způsobit problém.

- Výrobek nepoužívejte při teplotách pod 0 °C.

- S tímto výrobkem nepoužívejte kyseliny, zásady, rozpouštědla ani průmyslové roztoky. Tyto výrobky mohou způsobit fyzickou újmu uživateli a nezvratně poškodit výrobek.

VAROVÁNÍ! Z důvodu prevence rizika výbuchu nestříkejte na hořlavé kapaliny.

⚠ VAROVÁNÍ! Při nesprávném použití může být vysokotlaký proud nebezpečný. Proud nesmíte mířit na lidi, zvířata, elektrická zařízení ani na samotný výrobek.

- Oběma rukama pevně uchopte rukojeť. Počítejte s tím, že sebou při zmáčknutí spouště rukojeť vlivem reakční síly cukne. Jinak byste mohli ztratit nad výrobkem kontrolu a ublížit sobě a ostatním.
- Dávejte pozor, abyste neuklouzli nebo nespadli.
- Udržujte bezpečné postavení a rovnováhu. Nepřeceňujte se. Přeceňování může způsobit ztrátu rovnováhy.
- Nikdy nenechávejte přístroj v chodu bez dozoru. Přístroj vypněte a počkejte na jeho úplné zastavení. Během zapnutí musí být přístroj mimo dosah dětí.
- Obeznamte se z ovládacími prvky. Zjistěte, jak výrobek zastavit a rychle uvolnit tlak.
- Bud'te ostrážiti a obezřetní. Sledujte to, co děláte a používejte cit.
- Přístroj nepoužívejte při únavě nebo nemoci ani pod vlivem drog, alkoholu nebo léků. Chvilce nepozornosti při práci s tímto výrobkem může způsobit vážná osobní poranění.
- Výrobek nepoužívejte, pokud přepínač nezapíná nebo nevypíná. Elektrický nástroj, který nemůže být ovládán spínačem, je nebezpečný a musí být opraven.
- Při čištění vozidel udržujte minimálně 30cm odstup. Pod vysokotlakým proudem může dojít k poškození nebo prasknutí pneumatik, popř. ventilků.
- Přístroj by neměl být používán, pokud došlo k jeho pádu nebo vykazuje viditelné poškození či netěsnost.
- Poranění mohou být způsobena, či zhoršena, prodlouženým používáním nástroje. Používáte-li tento přístroj delší dobu, zajišťujte pravidelné přestávky.

VAROVÁNÍ K BATERII

- K nabíjení bateriového svazku použijte pouze nabíječku specifikovanou výrobcem. Nabíječka, která je vhodná pro jeden typ akumulátoru může způsobit nebezpečí požáru, pokud se používá s jiným bateriovým modulem.
- Pokud akumulátor nepoužíváte, uchovávejte jej mimo kovové předměty jako svorky

pro papír, mince, klíče, hřebíky, šrouby nebo jiné malé kovové předměty, které mohou vytvořit propojení jednoho vývodu s druhým. Zkratování vývodů baterie může způsobit požár nebo popáleniny.

- Baterii a nabíjecí sadu uchovávejte mimo mokré a vlhké prostředí.
 - Výrobek používejte pouze s baterií uvedenou v této příručce. Použití jakéhokoliv jiného akumulátoru může způsobit nebezpečí poranění a požáru.
 - Za nevhodných podmínek může z baterie vytékat kapalina; zabraňte kontaktu. Pokud dojde k náhodnému kontaktu, omyjte vodou. Pokud kapalina přijde do kontaktu s očima, vyhledejte lékařskou pomoc. Kapalina vytečená z baterie způsobit podráždění nebo popáleniny.
 - Baterie nevhazujte do domácího odpadu. Musí se shromažďovat zvlášť a vrátit do ekologického recyklačního zařízení. Informace o sběrných místech a recyklaci baterií vám poskytne místní úřad nebo prodejce.
 - Akumulátor má ochranu proti přehřátí. Nadměrné teploty způsobují, že baterie přestane napájet přístroj. Je-li akumulátor příliš horký, nechte jej před započetím další práce zchladnout. Jestliže se přístroj ani pak znovu nezapne, dobijte akumulátor.
- POZNÁMKA:** LED indikátor akumulátoru nefunguje, jestliže bylo zastavení napájení způsobeno funkcí ochrany akumulátoru. Pust'te tlačítko zapnutí/vypnutí nebo baterii vyjměte z výrobku a kontrolka LED baterie se vrátí k normální funkci.

DOPLŇUJÍCÍ BEZPEČNOSTNÍ UPOZORNĚNÍ K BATERII

⚠ VAROVÁNÍ! Chraňte přístroj před stříkající vodou. Mohla by poškodit baterii.

Abyste zabránili nebezpečí požáru způsobeného zkratem, poraněním nebo poškozením výrobku, neponořujte nářadí, výměnnou baterii nebo nabíječku do kapalin a zajistěte, aby do zařízení a akumulátorů nevnikly žádné tekutiny. Korodující nebo vodivé kapaliny, jako je slaná voda, určité chemikálie a bělicí prostředky nebo výrobky, které obsahují bělidlo, mohou způsobit zkrat.

TRANSPORT A SKLADOVÁNÍ

- Zastavte výrobek, vyjměte baterii a nechte výrobek vychladnout. Před uschováním nebo přepravou odpojte výrobek od přívodu vody.
- Před uschováním výrobku odstraňte vodu ze všech hadic i čerpadla a vyprázdněte nádobu na čisticí prostředky.
- Sifonovou hadici úhledně stočte a uložte ji spolu s čističem.
- Odstraňte z výrobku všechny cizí materiály. Uschovejte na chladném, suchém a dobře větraném místě při teplotách nad 0 °C, kam nemají přístup děti. Neskladujte přístroj v blízkosti ohniště ani jiných zdrojů tepla, které by mohly vysoušet těsnění čerpadla. Udržujte produkt mimo korosivní materiály, například zahrádkářské chemikálie a rozmrazovací soli. Výrobek neskladujte venku.
- Při transportu výrobku zajistěte proti pohybum nebo pádu, abyste zabránili poranění osob nebo poškození výrobku.

⚠ **VAROVÁNÍ!** Přístroj ukládejte pouze ve vnitřním prostoru. Skladování v prostoru s teplotou pod 0 °C čistič poškodí.

TRANSPORT LITHIOVÝCH BATERIÍ

Přenos baterií dle místních a národních opatření a předpisů.

Dodržujte všechny zvláštní požadavky na balení a značení při transportu baterií třetí stranou. Zajistěte, aby žádné baterie nepřišly do kontaktu s jinými bateriemi nebo vodivými materiály při transportu pomocí ochrany nekrytých kontaktů prostřednictvím izolace, nevodivých krytek či lepicích pásek. Nepřepravujte prasklé nebo baterie s unikajícím elektrolytem. Ptejte se u zásilkové společnosti na další radu.

ÚDRŽBA

Používejte pouze originální příslušenství, doplňky a náhradní díly výrobce. Zanedbání může způsobit možné poranění, slabý výkon a může dojít ke ztrátě záruky.

Údržba vyžaduje extrémní péči a znalosti a měla by být prováděna pouze kvalifikovaným servisním technikem. Výrobek nechte opravit pouze v pověřeném servisu. Při údržbě používejte pouze původní náhradní díly výrobce.

- Zastavte výrobek, vyjměte baterii a nechte výrobek vychladnout. Odpojte přístroj od přívodu vody:
 - před jeho čištěním
 - před prováděním jeho údržby
 - před výměnou náhradních dílů
- Můžete provádět pouze v návodu k obsluze uvedené opravy a seřízení. Pro jiné opravy nebo poradenství, požádejte o pomoc autorizované servisní středisko.
- K zajištění bezpečného provozu pravidelně přístroj kontrolujte a provádějte jeho údržbu. Držák baterie musí být správně sestaven, nepropustně uzavřen a často kontrolován, zda není poškozen. Jakýkoliv poškozený díl je nutné správně opravit nebo nechat vyměnit v autorizovaném servisním středisku.
- Při ukládání čističe na delší dobu bez jeho používání je potřeba z něj vyjmout baterii.

POZNEJTE SVŮJ NÁSTROJ

Viz strana 111.

1. Tlačítko na uvolnění struny
2. Límec přidavné rukojeti
3. Přídavná rukojeť
4. Přepínač ovládání režimu
5. Nízký režim
6. Střední režim
7. Vysoký režim
8. Závěsná spona
9. Spoušť (ZAP/VYP)
10. Tlačítko uzamknutí
11. Rukojeť
12. Prostor pro používanou baterii
13. Západka
14. Adaptér na 2l lahev
15. Vstup vody
16. Rychloupínací přípojka
17. Sifonová hadice
18. Čistič ploch
19. Filtr
20. Kovová postřiková tyč
21. Tryska 3-v-1
22. Návod k obsluze
23. Baterie
24. Nabíječka
25. Čisticí prostředek RYOBI

⚠ **VAROVÁNÍ!** Nepřipojujte nástavec 3-v-1 k výrobku pouze pomocí otočného adaptéru RAC764. S otočným adaptérem vždy používejte kovovou nebo prodlužovací tyč.

BEZPEČNOSTNÍ ZAŘÍZENÍ

- Tlačítko uzamknutí
 - Zámek spouště uzamkne spoušť, aby nedošlo k nechtěnému otevření vysokotlakého proudu.



Značka shody s ukrajinskými normami

SYMBOLY NA VÝROBKU



Varování



Pro snížení nebezpečí poranění musí uživatel před použitím tohoto nástroje přečíst a pochopit návod k použití.



Používejte ochranu očí a vhodnou ochranu dýchacích cest.



Čistič není vhodný pro připojení k vodovodu s pitnou vodou bez zpětného ventilu.



Nikdy nemiřte stříkací tyč na lidi, zvířata, tělo stroje, zdroj elektrického napětí ani na elektrické spotřebiče.



Nevystavujte dešti nebo nepoužívejte ve vlhkých podmínkách.



Značka shody s evropskými normami



Značka shody s britskými normami



Euroasijská značka shody



Nelikvidujte elektrické a elektronické zařízení společně s netříděným komunálním odpadem. Elektrický a elektronický odpad musí být shromažďován odděleně. Odpadní světelné zdroje musí být od zařízení odděleny. Informace o sběrných místech a recyklaci baterií vám poskytne místní úřad nebo prodejce. Podle místních nařízení mohou mít maloobchodníci povinnost brát bezplatně zpět elektrický a elektronický odpad. Když budete přispívat k opětnému použití a recyklaci elektrického a elektronického odpadu, pomůže to snížit potřebu surovin. Elektrický a elektronický odpad obsahuje cenné a recyklovatelné materiály, které mohou mít nepříznivý dopad na životní prostředí a lidské zdraví, pokud nebudou-li zlikvidovány ekologickým způsobem. Odstraňte z odpadu osobní údaje, pokud nějaké obsahuje.

SYMBOLY V NÁVODU



Díly nebo příslušenství jsou v prodeji samostatně



Poznámka



Varování

Az akkumulátoros magasnyomású mosó kialakítása során elsődleges szempont volt a biztonság, a teljesítmény és a megbízhatóság.

RENDELTELTÉSSZERŰ HASZNÁLAT

Az akkumulátoros magasnyomású mosót kizárólag kültéri használatra tervezték.

A termék otthoni vagy háztartási használatra készült. Az udvari bútorok, ablakok, járművek, csónakok tisztítására használható a makacs szennyeződések eltávolításával tiszta vízzel, tisztítószerezrel vagy anélkül.

A terméket jól megvilágított feltételek mellett kell használni.

Ha bármilyen más célra használja a magasnyomású mosót, például fogyasztói besorolású tisztító- és fertőtlenítőszeres permetezésére, akkor használja az arra szolgáló tartozékkészleteket.

Semmilyen más célra ne használja.

⚠ FIGYELMEZTETÉS! Ellenőrizze a biztonsági elemek, például biztonsági szelepek, folyadékáram-átkapcsolók és nyomáskapcsolók kifogástalan műszaki állapotát. Más tisztítószerek vagy vegyszerek ronthatják a termék biztonságát.

ÁLTALÁNOS BIZTONSÁGI FIGYELMEZTETÉSEK

⚠ FIGYELMEZTETÉS! Olvassa el az összes biztonsági figyelmeztetést és útmutatást. A figyelmeztetések és utasítások be nem tartása elektromos áramütést, tüzet és/vagy súlyos sérülést eredményezhet.

⚠ FIGYELEMFELHÍVÁS! A terméket nem szabad az ivóvízhálózatra kötni EN 12729 BA típusú visszafolyásgátló nélkül. A visszafolyásgátlón átfolyó víz nem minősül ihatóknak. Ne csatlakoztassa a terméket az ivóvízhálózathoz.

- A terméket nem használhatják gyermekek, korlátozott fizikai, érzékszervi vagy értelmi képességű, illetve kellő tapasztalattal és tudással nem rendelkező személyek. A gyerekekre oda kell figyelni, nehogy játsszanak a termékkel.
- A termék működtetésekor viseljen egyéni védőfelszerelést, például védőszemüveget és hallásvédőt.
- A sérülések kockázatának csökkentéséhez mindig tartsa távol a terméktől a gyermekeket és látogatókat. A közelben

tartózkodók viseljenek védőszemüveget, és maradjanak biztonságos távolságban a munkaterülettől.

- Biztosítsa, hogy a biztonsági berendezések jó állapotban legyenek. Használat előtt győződjön meg az összes biztonsági elem kifogástalan működéséről.
- Ne használja a terméket, ha megsérültek fontos részei, például a biztonsági eszközök vagy a szórószár.
- ⚠ **FIGYELMEZTETÉS!** A termék használata közben párák köd keletkezhet. A köd belélegzése egészségre ártalmas lehet. Szükség lehet FFP 2 vagy egyenértékű osztályú légzésvédő álarcra, a tisztítási környezettől függően.
- Ne forgassa el a szórófejet az indítóbillentyű meghúzása közben. Ha folyik a víz a szórófej forgatása közben, a nyomáscsökkentő csatorna ereszti ki a vizet. Ez nem szivárgás, hanem a szerszám károsodása nélkül jön ki a víz.
- A nagynyomású víz sugar veszélyes, ha nem rendeltetésszerűen használják. Ne irányítsa a víz sugarat emberre, feszültség alatt álló elektronikus eszközre vagy magára a termékre.
- Ne irányítsa a sugarat önmagára vagy másokra ruházat vagy lábbeli tisztításához.
- A tömlők, szerelvények és csatlakozók fontosak a termék biztonságához. Csak a gyártó által ajánlott tömlőket, szerelvényeket és csatlakozókat használja.
- Egyes régiókban olyan előírások érvényesek, amelyek korlátozzák a termék használatát. További információért forduljon a helyi önkormányzathoz.
- Minden használat előtt ellenőrizze a sérülésmentességét. A sérült tömlőket azonnal le kell cserélni. Gondoskodjon minden csatlakozás (pl. szórószár és fúvóka) biztonságos állapotáról. A tömlőt úgy tekerje le, hogy ne csavarodjon meg és ne képezzen hurkot.
- A tisztítás megkezdése előtt zárja be az ajtókat és ablakokat. Takarítsa le a tisztítandó területről a szemetet, játékokat, szabadtéri bútor és más tárgyakat, amelyek elrepülve veszélyforrássá válhatnak.
- Ne használja a terméket 0 °C alatti hőmérsékleten.

- Ne használjon a termékben savat, lúgot, oldószert vagy ipari oldatokat. Ezek károsíthatják a kezelő egészségét és tönkretelhetik a terméket.

⚠ **FIGYELMEZTETÉS!** A robbanásveszély elkerüléséhez ne szórjon gyúlékony folyadékot.

⚠ **FIGYELMEZTETÉS!** A nagynyomású sugár veszélyes lehet, ha nem előírászerűen használják. Tilos emberre, állatra, villamos berendezésre vagy magára a termékre irányítani.

- Két kézzel, szilárdan tartsa a kart. A kioldóbillentyű meghúzásakor a kar visszarúg – számíton erre. Ha ezt elmulasztja, elvesztheti a termék feletti uralmát, megsérülhet és másokat is veszélybe sodorhat.
- Vigyázzon, nehogy megcsússzon és elessen.
- Stabilan álljon és vegyen fel megfelelő egyensúlyt. Ne hajoljon ki túlságosan. A túlzott kihajlás egyensúlyvesztést eredményezhet.
- Soha ne hagyja felügyelet nélkül működni a gépet. Kapcsolja ki a terméket, és csak akkor hagyja ott, ha teljesen leállt. A bekapcsolt terméket gyermekek által nem elérhető helyen tartsa.
- Ismerje meg a kezelőszerveket. Tanulja meg, hogyan kell a terméket leállítani és gyorsan nyomásmentesíteni.
- Legyen éber és gyakorolja az irányítást. Figyeljen arra, amit csinál, és használja az összes érzékszervét.
- Ne használja a terméket, ha fáradt, beteg vagy drog, alkohol illetve gyógyszer hatása alatt van. A termékek használata közben már egyetlen figyelmetlen pillanat is súlyos személyi sérüléshez vezethet.
- Ne használja a terméket, ha a kapcsoló nem kapcsolja be vagy ki a terméket. A kapcsolóval nem vezérelhető termék veszélyes, ezért azt meg kell javítani.
- Tisztítandó járművektől tartson legalább 30 cm távolságot. A nagynyomású sugár megsértheti vagy átlukaszthatja járművek gumiabroncsát és szelepét.
- Ne használja a terméket, ha leejtették, ha látható sérülések vannak rajta vagy szivárog.
- Injuries may be caused, or aggravated, by prolonged use of a tool. Ha a terméket hosszabb ideig használja, ügyeljen arra, hogy rendszeresen tartson szünetet.

AZ AKKUMULÁTORCSOMAGGAL KAPCSOLATOS MUNKAVÉDELMI FIGYELMEZTETÉSEK

- Csak a gyártó által megadott töltőt használja az akkucsomag feltöltéséhez. Egy adott akkumulátortípushoz való töltő egy másik típusú akkumulátorral való használata tűzveszélyes lehet.
 - Az akkumulátort használaton kívül tartsa távol más fém tárgyaktól, úgymint gemkapcsoktól, érméktől, kulcsoktól, szögektől, csavaroktól vagy más kisméretű fém tárgyaktól, amelyek rövidre zárhatják a két érintkezőt. Az akkumulátor érintkezőinek rövidre zárása tüzet vagy égéseket okozhat.
 - Tartsa távol az akkumulátorcsomagot és a töltőt folyadékoktól és nedves helyektől.
 - Csak a jelen gépkönyvben előírt akkumulátorcsomagokkal használja a terméket. Más akkumulátorok használata tűzveszélyes lehet, és sérüléseket okozhat.
 - Nem megfelelő körülmények esetén folyadék távozhat az akkumulátorból, kerülje az azzal való érintkezést. Ha mégis érintkezik vele, öblítse le vízzel. Ha a folyadék szembe kerül, forduljon orvoshoz. Az akkumulátorból kifolyt folyadék irritációt vagy égéseket okozhat.
 - Az akkucsomagot ne dobja ki a háztartási hulladékok közé. Külön gyűjtse őket, és juttassa el a környezetvédelmi szempontoknak megfelelő újrahasznosító központba. A helyi hatóságoktól vagy a forgalmazótól kérhet információt az újrahasznosításról, illetve arról, hogy hol található gyűjtőpont.
 - Az akkumulátorban túlmelegedés elleni védelem van. Az akkumulátor túl magas hőmérséklete a szerszám leállítását okozza. Ha az akkumulátor túl meleg, a munka folytatása előtt hagyja lehűlni. Ha a termék továbbra sem működik, töltsé újra az akkumulátort.
- MEGJEGYZÉS:** Az akkumulátor LED-kijelzője nem működik, ha az akkumulátor védelmi funkciója miatt az akkumulátor leállította a termék tápellátását. Engedje fel a bekapcsoló gombot vagy vegye ki az akkumulátort a termékből, és az akkumulátor-visszajelző LED ismét normálisan fog működni.

AZ AKKUMULÁTOR KIEGÉSZÍTŐ BIZTONSÁGI FIGYELMEZTETÉSEI

⚠ FIGYELMEZTETÉS! Ne fröcskölje le a terméket vízzel. Tönkretelheti az akkumulátort.

A rövidzárlat általi tűz, sérülések vagy termékkárosodások veszélye elkerülésére ne merítse a szerszámot, a cserélhető akkut vagy a töltőkészüléket folyadékokba, és gondoskodjon arról, hogy ne hatoljanak folyadékok a készülékekbe és az akkukba. A korrozív hatású vagy vezetőképes folyadékok, mint pl. a sós víz, bizonyos vegyi anyagok, fehérítők vagy fehérítő tartalmú termékek, rövidzárlatot okozhatnak.

SZÁLLÍTÁS ÉS TÁROLÁS

- Állítsa le a terméket, vegye ki akkumulátorcsomagját és hagyja lehűlni. Tárolás vagy szállítás előtt válassza le a terméket a vízellátásról.
- A termék tárolása előtt ürítse le a vizet minden tömlőből és a szivattyúból, és ürítse le a mosószertartályt is.
- Gondosan tekerje fel a szivótömlőt, és tartsa a magasnyomású mosó mellett.
- Minden idegen anyagtól tisztítsa meg a terméket. Tárolja a terméket hűvös, fagymentes, száraz, jól szellőző, gyermekektől elzárt helyen. Ne tárolja a terméket kályha vagy más hőforrás közelében, mert kiszáradtja a szivattyú tömítéseit. A terméket tartsa távol a korrodáló szerektől, például kerti vegyszerektől vagy a jégmentesítő sótól. Ne tárolja a terméket kültéren.
- Szállításkor rögzítse a terméket elmozdulás és leesés ellen, hogy elkerülje a sérüléseket és a termék sérülését.

⚠ FIGYELMEZTETÉS! A terméket kizárólag beltéren tárolja. A terméket károsítja, ha 0° alatti hőmérsékleten tárolja.

LÍTIUM AKKUMULÁTOROK SZÁLLÍTÁSA

Az akkumulátorokat a helyi és nemzeti előírásokkal és szabályokkal összhangban szállítsa.

Az akkumulátorok külső fél általi szállításakor kövesse a csomagolásra és a címkézésre vonatkozó speciális előírásokat. Ügyeljen arra, hogy az akkumulátorok ne érhessenek más akkumulátorokhoz vagy vezető anyagokhoz szállítás közben; ehhez a szabadon maradt csatlakozókat védje szigetelő fedéllel vagy szalaggal. Ne szállítson repedt vagy szivárgó akkumulátorokat. További információért vegye fel a kapcsolatot a továbbítást végző céggel.

KARBANTARTÁS

Csak a gyártó eredeti cserealkatrészeit, tartozékait és szerelékeit használja. Ennek figyelmen kívül hagyása gyenge motorteljesítményt, esetleges sérülést és a jótállás elvesztését okozhatja.

szervizelés különös figyelmet és hozzáértést igényel, és csak szakképzett szerelő végezheti el. A terméket csak engedéllyel rendelkező szervizben javíttassa. Szervizeléskor csak eredeti, gyártó által előállított cserealkatrészeket használjon.

- Állítsa le a terméket, vegye ki akkumulátorcsomagját és hagyja lehűlni. Válassza le a terméket a vízellátásról:
 - mielőtt megtisztítaná a terméket
 - mielőtt karbantatná a terméket
 - pótalkatrészek cseréje előtt
- Ön csak a használati útmutatóban leírt beállításokat és javításokat végezheti el. További javításokért vagy tanácsért kérjen segítséget egy hivatalos szervizközpontban.
- Rendszeresen vizsgálja át és tartsa karban a terméket, hogy biztonságosan működjön. Győződjön meg arról, hogy az akkumulátorrekesz megfelelően illeszkedik, szorosan rögzül, és rendszeresen ellenőrizze, hogy nem sérült-e. A sérült alkatrészeket egy hivatalos szervizközpontban kell megjavíttatni vagy kicseréltetni.
- Ha a terméket hosszú ideig használat nélkül tárolja, vegye ki az akkumulátorokat.

ISMERJE MEG A TERMÉKET

Lásd 111. oldal.

1. Szálkioldó gomb
2. Kiegészítő fogantyú pereme
3. Kiegészítő fogantyú
4. Üzem módvezérlés választókapcsoló
5. Kis sebesség mód
6. Középső üzemmód
7. Nagy sebesség mód
8. Vödör csipesz
9. Be-/kikapcsoló kioldó
10. Zárógomb
11. Fogantyú
12. Használat közbeni akkumulátortartó
13. Retesz
14. 2 l-es palackadapter
15. Vízbemenet
16. Gyorscsatlakozó
17. Szivótömlő

18. Felülettisztító
19. Szűrő
20. Fém permetező rúd
21. Háromfunkciós fúvóka
22. Kezelői kézikönyv
23. Akkumulátor
24. Töltő
25. RYOBI tisztítószer

⚠ FIGYELMEZTETÉS! Ne csatlakoztassa a 3-az-1-ben fúvókát a termékhez kizárólag az RAC764 fordóadapterrel. A fordóadapter alkalmazásakor mindig használja a tartozék fém vagy hosszabbító permetező rudat.

BIZTONSÁGI ESZKÖZÖK

- Zárógomb
 - A kapcsolózár zárja a kapcsolót, így megakadályozza a nagynyomású sugár akaratlan megnyitását.

SZIMBÓLUMOK A TERMÉKEN



Figyelem



A sérülések kockázatának csökkentése érdekében a felhasználónak a termék használata előtt el kell olvasnia és meg kell értenie a kezelői kézikönyv tartalmát.



Viseljen szemvédőt és megfelelő légzőmaszkot.



A termék visszafolyásgátló nélkül nem csatlakoztatható az ivóvízhálózatra.



Ne irányítsa a permetezőszárat emberre, állatra, a gép testére, áramforrásra vagy elektromos készülékre.



Ne tegye ki esőnek, és ne használja nedves környezetben.



Európai megfelelési jelölés



Brit megfelelési jelölés



Eurázsiai megfelelési jelzés



Ukrán megfelelési jelölés

Az elektromos és elektronikus berendezések hulladékait ne ártalmatlanítsa válogatatlan települési hulladékként. Az elektromos és elektronikus berendezések hulladékait gyűjtse elkülönítve. A hulladékká vált fényforrásokat vegye ki a berendezésből. A helyi hatóságoktól vagy a forgalmazótól kérhet információt az újrahasznosításról, illetve arról, hogy hol található gyűjtőpont. A helyi szabályozások szerint a kereskedők kötelesek lehetnek ingyen visszavenni az elektromos és elektronikus berendezések hulladékait. A hozzájárulása az elektromos és elektronikus berendezések hulladékainak újrafelhasználásához és újrafeldolgozásához segít csökkenteni a nyersanyagok iránti keresletet. Az elektromos és elektronikus berendezések hulladékai értékes és újrafeldolgozható anyagokat tartalmaznak, amelyek káros hatással lehetnek a környezetre és az emberi egészségre, ha nem környezetbarát módon ártalmatlanítják őket. A hulladékká vált berendezésből szükség esetén törölje a személyes adatokat.

A KÉZIKÖNYVBEN HASZNÁLT SZIMBÓLUMOK



Külön értékesített alkatrészek és kiegészítők



Megjegyzés



Figyelem

Siguranța, performanța și fiabilitatea au constituit principalele noastre preocupări la proiectarea curățătorului de înaltă presiune cu acumulator.

UTILIZARE PREVĂZUTĂ

Curățătorul de înaltă presiune cu acumulator este destinat exclusiv pentru utilizare în exterior.

Produsul este proiectat pentru uz casnic și domestic. Este conceput pentru curățarea mobilierului de terasă, a ferestrelor, automobilelor și ambarcațiunilor, prin îndepărtarea murdăriei greu de îndepărtat, utilizând apă curată, fără detergent.

Produsul se va utiliza în mediu bine iluminat.

Utilizați trusa de accesorii destinată dispozitivului electric de spălare atunci când scopul este cel adecvat, precum pulverizarea substanțelor de curățare și dezinfectanților potriviți pentru consumul casnic.

Nu folosiți în alte scopuri.

⚠ AVERTISMENT! Produsul este proiectat pentru utilizarea cu un agent de curățire neutru, furnizat sau recomandat de fabricant. Utilizarea altor tipuri de agenți de curățare sau a altor substanțe chimice poate afecta siguranța echipamentului.

AVERTISMENTE GENERALE PRIVIND SIGURANȚA

⚠ AVERTISMENT! Citiți toate avertismentele și instrucțiunile de siguranță. Nerespectarea acestor avertismente și instrucțiuni poate conduce la șocuri electrice, incendii și/sau accidente grave.

⚠ ATENȚIE! Produsul nu trebuie conectat la sursa de alimentare cu apă potabilă fără a avea montată pe circuit o supapă antiretur conform standardului EN 12729 Tip BA. Apa care circulă prin prevenitorul de retur nu este considerată potabilă. Nu conectați produsul la rețeaua publică de alimentare cu apă.

- Produsul nu este destinat utilizării de către copii sau persoane cu deficiențe fizice, senzoriale sau mentale, sau fără experiență și cunoștințe. Copiii trebuie să fie supravegheați adecvat pentru a vă asigura că nu se joacă cu produsul.
- Purtați echipament personal de protecție la utilizarea echipamentului, precum ochelari și protecții pentru urechi.

- Pentru a reduce riscul de rănire, nu permiteți apropierea copiilor și a altor persoane. Toate persoanele din zonă trebuie să poarte ochelari de protecție și să mențină o distanță de siguranță față de zona de lucru.
- Asigurați-vă că dispozitivele de siguranță sunt în bună stare de funcționare. Asigurați-vă că toate dispozitivele de siguranță funcționează corect înainte de fiecare utilizare.
- Nu utilizați echipamentul dacă sunt deteriorate componente importante, cum ar fi dispozitivele de siguranță sau tija de pulverizare.

⚠ AVERTISMENT! În timpul utilizării produsului, se pot forma aerosoli. Inhalarea acestora poate provoca decesul. Este necesară purtarea unei măști de protecție de clasă FFP2 sau echivalentă, în funcție de mediul de lucru.

- Nu rotiți duza în timp ce activați trăgaciul. Dacă curge apă în timp ce se rotește duza, canalul de scurgere lasă apa să iasă. Aceasta nu este o scurgere, dar va permite apei să iasă fără să se deterioreze unealta.
- Jetul de înaltă presiune este periculos. Nu direcționați jetul spre persoane, echipamente electronice în funcționare sau direct către echipament.
- Nu îndreptați jetul spre dvs. sau spre alte persoane în scopul curățării hainelor sau încălțămintei.
- Pentru siguranța echipamentului este important să se utilizeze furtunuri, conectori și fittinguri. Utilizați doar furtunuri, fittinguri și conectori recomandați de producător.
- Anumite regiuni au reglementări ce restricționează folosirea produsului. Pentru sfaturi întrebați autoritățile dvs. locale.
- Înainte de fiecare utilizare verificați starea componentelor. Furtunurile deteriorate trebuie înlocuite imediat. Asigurați-vă că toate îmbinările, cum ar fi cele de la tija de pulverizare și duză, sunt bine fixate. Desfășurați adecvat furtunul, astfel încât să nu fie îndoit sau sugrumat.
- Înainte de începerea unei operații de curățare, închideți ușile și ferestrele. Eliberați zona de curățat de resturi, jucării, mobilier de exterior sau alte obiecte care pot crea pericole.

- Nu utilizați echipamentul la temperaturi sub 0°C.
- Nu introduceți în echipament acizi, baze, solvenți sau alte soluții industriale. Aceste echipamente pot provoca vătămări fizice operatorului și defectarea definitivă a echipamentului.

⚠ **AVERTISMENT!** Pentru a evita riscul de explozie, nu pulverizați lichide inflamabile.

⚠ **AVERTISMENT!** Jetul de înaltă presiune poate fi periculos în caz de utilizare neadecvată. Jetul nu trebuie direcționat către oameni, animale, dispozitive electrice sau spre echipament.

- Țineți mânerul pistolului ferm, cu ambele mâini. Așteptați-vă ca mânerul pistolului să aibă un recul la acționare, cauzat de forța jetului. Dacă nu sunteți pregătit pentru aceasta, puteți să pierdeți controlul și să vă răniți personal sau să răniți alte persoane din jur.
- Manevrați pistolul cu atenție, pentru a evita alunecarea sau căderea.
- Mențineți sprijin ferm pe picioare și echilibru. Nu vă aplecați excesiv. Aplecarea excesivă poate cauza pierderea echilibrului.
- Nu lăsați niciodată produsul să funcționeze nesupravegheat. Opriti echipamentul și plecați de lângă acesta doar când s-a oprit complet. Țineți produsul departe de accesul copiilor cât timp este sub tensiune.
- Familiarizați-vă cu comenzile. Trebuie să știți cum se oprește rapid echipamentul și cum se descarcă presiunea din instalație.
- Fiți vigilenți și mențineți controlul. Fiți atenți la ceea ce faceți și folosiți-vă simțul practic.
- Nu utilizați produsul dacă sunteți obosit, bolnav sau sub influența drogurilor, alcoolului sau medicamentelor. Un moment de neatenție în timpul operării produsului poate rezulta în vătămare personală gravă.
- Nu folosiți produsul dacă întrerupătorul nu pornește sau oprește produsul. Un produs care nu poate fi controlat cu ajutorul întrerupătorului este periculos și trebuie reparat.
- Păstrați o distanță de minim 30 cm la curățarea autovehiculelor. Jetul de înaltă presiune poate deteriora sau rupe anvelopele sau ventilele autovehiculului.
- A nu se utiliza produsul dacă acesta a fost lovit, dacă are semne vizibile de avariere sau dacă prezintă scurgeri.
- Pot fi cauzate sau agravate vătămarile de la folosirea prelungită a aparatului.

Când utilizați unealta timp mai îndelungat, asigurați-vă că faceți pauze regulate.

AVERTISMENTE DE SIGURANȚĂ PRIVIND ACUMULATORUL

- Încărcați acumulatorul doar cu încărcătorul specificat de producător. Un încărcător destinat unui anumit tip de acumulator este folosit la încărcarea altor acumulatori există pericolul de incendii.
 - Atunci când acumulatorul nu este în uz, păstrați-l departe de alte obiecte metalice, cum ar fi agrafe de birou, monede, chei, cuie, șuruburi sau alte obiecte metalice mici, care pot face o conexiune de la o bornă la alta. Scurtcircuitarea bornelor bateriei poate provoca arsuri sau incendiu.
 - Acumulatorul și încărcătorul acestuia nu trebuie păstrate în condiții de umiditate.
 - Utilizați echipamentul doar cu acumulatorul specificat în acest manual. Utilizarea oricăror alți acumulatori poate crea un risc de vătămare și de incendiu.
 - Ca urmare a folosirii necorespunzătoare, din acumulator se poate scurge lichid; evitați contactul cu acesta. În cazul unui contact accidental, spălați cu apă. În cazul contactului cu ochii, consultați suplimentar un medicul. Lichidul care iese din acumulator poate provoca iritații sau arsuri.
 - Nu aruncați bateriile uzate împreună cu gunoiul menajer. Bateriile trebuie colectate separat și trimise la o unitate de reciclare specializată. Adresați-vă autorităților sau distribuitorilor locali pentru a afla informații despre punctele de colectare.
 - Acumulatorul are protecție împotriva supraîncălzirii. Temperaturile excesive vor conduce la oprirea alimentării uneltei de la acumulator. Dacă acumulatorul este prea cald, lăsați-l să se răcească înainte de reluarea operării. Dacă produsul tot nu funcționează, reîncărcați acumulatorul.
- NOTĂ:** Indicatorul cu LED al acumulatorului nu va funcționa dacă funcția de protecție a acumulatorului este cea care a produs alimentarea cu curent a produsului. Decuplați butonul de pornire/oprire sau scoateți bateria din produs, iar LED-ul indicator privind bateria va reveni la funcționare normală.

AVERTISMENTE SUPLIMENTARE PRIVIND SIGURANȚA LA UTILIZAREA BATERIILOR

⚠ **AVERTISMENT!** Nu aruncați apă pe produs. Riscați să deteriorați acumulatorul.

Pentru a reduce riscurile de incendiu, accidentare și deteriorare a produsului în urma unui scurtcircuit, nu scufundați niciodată unealta, acumulatorul sau încărcătorul în lichide și nici nu permiteți pătrunderea lichidelor în interiorul acestora. Lichidele corosive sau cu conductibilitate, precum apa sărată, anumite substanțe chimice și înalbitori sau produse ce conțin înalbitori, pot provoca un scurtcircuit.

TRANSPORTAREA ȘI DEPOZITAREA

- Opriti echipamentul, îndepărtați acumulatorul și lăsați echipamentul să se răcească. Deconectați echipamentul de la sursa de alimentare cu apă înainte de depozitare sau transport.
- Scoateți apa din furtunuri și pompă și goliiți rezervorul de detergent înainte de depozitarea echipamentului.
- Curățați și strângeți colac furtunul de sifonare și depozitați-l împreună cu dispozitivul de spălare.
- Curățați toate materialele străine din produs. Depozitați echipamentul într-o locație rece, ferită de îngheț, uscată și bine ventilată, inaccesibilă copiilor. A nu se depozita produsul în apropierea unui cuptor sau a altor surse de căldură care ar putea duce la uscarea garniturilor de etanșare a pompei. Păstrați produsul la distanță de agenți corozivi, precum substanțe chimice de grădină și săruri de dezghețare. Nu depozitați produsul în aer liber.
- Pentru transportare, fixați produsul împotriva mișcării sau căderii pentru a preveni vătămarea persoanelor sau deteriorarea produsului.

⚠ **AVERTISMENT!** Depozitați produsul numai în spații închise. Depozitarea într-o zonă cu temperatură negativă va determina defectarea produsului.

TRANSPORTAREA BATERIILOR DE LITIU.

Transportați bateriile în conformitate cu prevederile și reglementările locale și naționale.

Urmați toate cerințele speciale privind împachetarea și etichetarea atunci când transportați baterii către un terț. Asigurați-vă că nicio baterie nu poate să intre în contact cu alte baterii sau materiale conductive în timpul

transportului prin protejarea conectorilor expuși cu bandă, capace izolatoare neconductive. Nu transportați bateriile ce sunt crăpate sau care au scurgeri. Verificați cu firma transportatoare pentru recomandări ulterioare.

ÎNȚREȚINERE

Folosiți doar piese de schimb, accesorii și atasamente originale ale producătorului Neurmarea acestora poate cauza posibilă vătămare, slaba funcționare și ar putea anula garanția.

Service-ul necesită atenție și cunoștințe deosebite și trebuie îndeplinit doar de către un tehnician service calificat. Duceți produsul la reparații numai într-un centru service autorizat. La efectuarea serviciului, folosiți doar piese de schimb originale ale producătorului.

- Opriti echipamentul, îndepărtați acumulatorul și lăsați echipamentul să se răcească. Deconectați echipamentul de la sursa de alimentare cu apă:
 - înainte de a-l curăța
 - înainte de operațiile de întreținere
 - înainte de înlocuirea pieselor
- Puteți face doar reglajele sau reparațiile descrise în acest manual. Pentru alte reparații sau sfaturi, căutați asistență din partea unui centru service autorizat.
- Verificați și întrețineți regulat produsul pentru a asigura o funcționare sigură. Asigurați-vă că lăcașul acumulatorului este corect asamblat, bine închis și verificați-l des să nu prezinte defecțiuni. Orice piesă deteriorată trebuie să fie reparată în mod corespunzător sau înlocuită de un service autorizat.
- Dacă produsul nu va mai fi folosit o perioadă lungă de timp, bateriile trebuie scoase.

CUNOAȘTEȚI-VĂ PRODUSUL

Vezi pagina 111.

1. Buton de eliberare a firului
2. Gulerul mânerului auxiliar
3. Mâner auxiliar
4. Selector control mod
5. Mod Viteză redusă
6. Mod mediu
7. Mod Viteză ridicată
8. Clamă
9. Trăgaci pornire/oprire
10. Butonul de blocare
11. Mâner
12. Compartiment acumulator în uz
13. Element de blocare
14. Adaptor ciclă de 2L

15. Racord de intrare apă
16. Cuplaj cu conectare rapidă
17. Furtun sifon
18. Dispozitiv de curățare suprafețe
19. Filtru
20. Tijă metalică
21. duză 3-în-1
22. Manualul de operare
23. Acumulator
24. Încărcător
25. Detergent RYOBI

⚠ AVERTISMENT! Nu conectați duza 3-în-1 la produs utilizând numai adaptorul pivotant RAC764. Utilizați întotdeauna tija de metal inclusă sau tija telescopică, atunci când utilizați adaptorul pivotant.

DISPOZITIVE DE SIGURANȚĂ

- Butonul de blocare
 - Siguranța trăgaciului blochează trăgaciul și previne deschiderea neintenționată a jetului de înaltă presiune.

SIMBOLURILE DE PE PRODUS.



Avertisment



Pentru a reduce riscul vătămării, utilizatorul trebuie să citească și să înțeleagă manualul de utilizare înainte să utilizeze acest produs.



Purtați protecție pentru ochi și măști adecvate pentru sistemul respirator.



Produsul nu este destinat conectării la rețeaua de alimentare cu apă potabilă fără un dispozitiv de prevenire a scurgerii apei din produs înapoi în rețeaua de alimentare.



Nu îndreptați niciodată tija pulverizatorului către oameni, animale, carcasa echipamentului, sursa de alimentare cu energie electrică sau aparate electrice.



Nu expuneți produsul la ploaie sau umezeală.



Marcajul european de conformitate



Marcajul britanic de conformitate



Marcaj de conformitate EurAsian



Marcajul ucrainian de conformitate

A nu se arunca deșeurile de echipamente electronice și electrice la gunoiul menajer. Deșeurile formate din echipamente electrice și electronice trebuie colectate separat. Sursele de iluminare trebuie scoase din aceste echipamente. Adresați-vă autorităților sau distribuitorilor locali pentru a afla informații despre punctele de colectare. Conform reglementărilor naționale, vânzătorii cu amănuntul au obligația de a colecta deșeurile de echipament electric și electronic, gratuit. Contribuția dvs. la reciclarea și reutilizarea echipamentelor electrice și electronice ajută la reducerea cererii de materii prime. Deșeurile formate din echipamente electrice și electronice conțin materiale reciclabile valoroase, care pot avea o influență negativă asupra mediului înconjurător și asupra sănătății umane, dacă nu sunt eliminate într-o manieră ecologică. Ștergeți datele personale din echipamentul deșeurilor, dacă este cazul.

SIMBOLURI DIN ACEST MANUAL



Piese sau accesorii vândute separat



Notă



Avertisment

Radot akumulatoru augstspiediena mazgātāju, drošībai, veiktspējai un uzticamībai ir pievērsta vislielākā vērība.

PAREDŽĒTAIS LIETOJUMS

Akumulatoru augstspiediena mazgātājs ir paredzēts lietošanai tikai ārpus telpām.

Šī ierīce ir paredzēta lietošanai mājās apstākļos. Tas paredzēts dārza mēbeļu, logu, automašīnu un laivu mazgāšanai, piekaltušu netīrumu noņemšanai, izmantojot tīru ūdeni ar vai bez mazgāšanas līdzekļa piedevu.

Produktu jāizmanto vietā ar labu apgaismojumu.

Izmantojot jebkuram citam nolūkam, piemēram, izsmidzinot patērētāju klases tīrīšanas vai dezinfekcijas līdzekļus, izmantojiet tam paredzētus augstspiediena mazgātāja papildaprīkojuma komplektus.

Nelietojiet citiem mērķiem.

⚠ BRĪDINĀJUMS! Izstrādājums ir paredzēts izmantošana ar neitrālu tīrīšanas līdzekli, kuru piegādā vai iesaka ražotājs. Citu tīrīšanas līdzekļu vai ķīmikāliju izmantošana var negatīvi ietekmēt izstrādājuma drošību.

VISPĀRĪGIE DROŠĪBAS BRĪDINĀJUMI

⚠ BRĪDINĀJUMS! Izlasiet visus drošības brīdinājumus un norādījumus. Brīdinājumu un norādījumu neizpildīšana var izraisīt elektrisko triecienu, aizdegšanos un/vai smagu ievainojumu.

⚠ UZMANĪBU! Izstrādājumu nedrīkst izmantot, pieslēdzot to dzeramā ūdens padevei, neuzstādot atpakaļplūsmas ierobežotāju, kas atbilst EN 12729 tipam BA. Ūdens, kas plūst cauri atpakaļplūsmas vārstam nav uzskatāms par dzeramu. Nepievienot produktu koplietošanas dzeramā ūdens padevei.

- Izstrādājums nav paredzēts lietošanai bērniem vai personām ar ierobežotām fiziskajām, sensorajām vai mentālajām spējām, vai ar pieredzes un zināšanu trūkumu. Nepieciešams pienācīgi uzmanīt bērnus, lai nodrošinātu, ka tie nespēlējas ar ierīci.
- Lietojot produktu, valkājiet personīgo aizsargapgērbi, piemēram, drošības brilles un dzirdes aizsarglīdzekļus.
- Lai samazinātu ievainojumu risku, neļaujiet tuvoties bērniem un apmeklētājiem. Visiem

apkārtējiem jāvalkā aizsargbrilles un jāatrodas drošā attālumā no darba zonas.

- Pārliecinieties, ka drošības ierīces ir labā darba stāvoklī. Pirms katras lietošanas pārliecinieties, ka visas drošības ierīces atbilstoši darbojas.
- Neizmantojiet izstrādājumu, ja tā svarīgas daļas, piemēram, drošības ierīces vai smidzināšanas pistole, ir bojātas.

⚠ BRĪDINĀJUMS! Produkta lietošanas laikā var veidoties aerosoli. Aerosolu ieelpošana var būt bīstama veselībai. Atkarībā no tīrāmās vides var būt nepieciešama FFP 2 klases elpošanas aizsargmaska vai tās ekvivalents.

- Negrieziet sprauslu, kamēr nospiesta slēdža mēlīte. Ja ūdens plūst, kamēr sprausla ir pagriezta, pārspiediena kanāls izlaiž lieko ūdeni. Tā nav noplūde, bet ļauj ūdenim izplūst no iekārtas, lai to nebojātu.
- Nepareizi lietojot, augstspiediena strūkla ir bīstama. Nevērsiet strūklu pret cilvēkiem, elektronisko aprīkojumu zem sprieguma vai pašu izstrādājumu.
- Nevērsiet strūklu pret sevi vai citiem, lai nomazgātu apģērbu vai apavus.
- Šļūtenes, uzgaļi un savienojumi ir būtiski izstrādājuma drošībai. Izmantojiet tikai šļūtenes, uzgaļus un savienojumus, kurus izmantošanai iesaka ražotājs.
- Dažos reģionos pastāv noteikumi, kas ierobežo preces lietošanu. Vērsieties pie atbildīgajām amatpersonām pēc padoma.
- Pirms katras lietošanas pārbaudiet, vai nav bojājumu. Bojātas šļūtenes ir nekavējoties jānomaina. Nodrošiniet, ka visi savienojumi kā augstspiediena šļūtene ar pistoli un uzgaļi, ir droši. Pareizi attīniet šļūteni, lai tā nevarētu savērties vai aizlikties.

■ Pirms jebkādas mazgāšanas darbības aizveriet durvis un logus. Atbrīvojiet mazgājamo zonu no dražām, rotaļlietām, dārza mēbelēm vai citiem priekšmetiem, kas var radīt bīstamību.

- Neizmantojiet izstrādājumu temperatūrās, kas zemākas par 0°C.
- Neizmantojiet produktā skābes, sārmus, šķīdinātājus vai industriālos šķīdumus. Šie izstrādājumi var radīt fiziskus ievainojumus lietotājam un neatgriezeniski sabojāt mazgātāju.

⚠ BRĪDINĀJUMS! Lai izvairītos no sprādziena riska, neizsmidziniet uzliesmojošus šķīdumus.

⚠ BRĪDINĀJUMS! Augstspiediena strūkļa var būt bīstama, ja tiek izmantota nepareizi. Strūkļa nedrīkst vērst pret cilvēkiem, dzīvniekiem, elektriskām ierīcēm vai pašu mazgātāju.

- Stingri turiet pistoles mēlītes rokturi ar abām rokām. Sagaidiet, ka pistoles mēlītes rokturis pēc pistoles mēlītes nospiešanas, reaktīvo spēku ietekmē kustēsies. Šo apstākļu neievērošana var izraisīt kontroles zaudēšanu un ievainojumus jums un citiem.
- Ievērojiet piesardzību, lai izvairītos no paslīdēšanas vai krišanas.
- Pārliecinieties par stingru pamatu zem kājām un ķermeņa līdzsvaru. Nepersitempkite. Persitempē galite prarasti pusiausvyrā.
- Nekad neatstājiet ieslēgtu izstrādājumu bez uzraudzības. Izslēdziet produktu un ejiet prom no tā tikai tad, kad tas pilnīgi apstājies. Ieslēgtā stāvoklī neļaujiet rīkoties ar produktu bērniem.
- Iepazīstieties ar vadības ierīcēm. Ziniet, kā ātri apturēt izstrādājumu un nolaist spiedienu.
- Saglabājiet modrību un kontroli. Vērojiet savu darbu un rīkojieties saskaņā ar veselo saprātu.
- Neizmantojiet produktu, ja esat noguris, slims vai narkotiku, alkohola vai medikamentu ietekmē. Neuzmanīga rīcība, darbojoties ar ierīci var radīt smagu personisku traumu.
- Neizmantojiet ražojumu, ja slēdzis neieslēdz vai neizslēdz ražojumu. Ražojums, kuru nevar kontrolēt ar slēdzi, ir bīstams un ir jānodod remontā.
- Mazgājot transportlīdzekļus, ieturiet minimālo attālumu 30 cm. Augstspiediena strūkļa var sabojāt vai likt pārsprāgt transportlīdzekļa riepām un/vai riepventiļiem.
- Produktu nedrīkst lietot, ja tas ir nomests, tam ir redzamas bojājumu pazīmes vai noplūdes.
- Ilgstoša preces lietošana var radīt ievainojumus vai pasliktināt jau esošos. Izmantojot produktu ilgāku laika posmu, nodrošiniet, ka tiek ņemti regulāri pārtraukumi.

AKUMULATORU BLOKA DROŠĪBAS BRĪDINĀJUMI

- Veiciet akumulatora bloka uzlādēšanu tikai ar ražotāja noteikto lādētāju. Lādētājs, kas paredzēts lietošanai ar viena veida akumulatoru, var būt ugunsnedrošs, ja to izmanto ar citu akumulatoru.
 - Kad nelietojat akumulatoru, neturiet to citu metāla priekšmetu tuvumā, piemēram: papīra saspraudes, monētas, atslēgas, naglas, skrūves vai citi sīki metāla priekšmeti, kas var veidot savienojumu starp spailēm. Akumulatora spaiļu tsslēgums var radīt aizdegšanos vai ugunsgrēku.
 - Uzglabājiet akumulatoru bloku un lādētāju atstatu no mitruma un ūdens.
 - Izmantojiet izstrādājumu tikai ar akumulatoru blokiem, kas norādīti šajā rokasgrāmatā. Jebkura cita akumulatora lietošana var radīt ievainojumu un ugunsgrēka risku.
 - Nepareizas rīcības gadījumā no akumulatora var izkļūt šķidrums; izvairieties no saskares ar to. Nejaušas saskares gadījumā skalojiet skarto vietu ar ūdeni. Ja šķidrums nokļūst acīs, nepieciešama arī medicīniskā palīdzība. No akumulatora izkļuvušais šķidrums var izraisīt kairinājumu vai apdegumus.
 - Neutilizējiet akumulatoru blokus kopā ar mājssaimniecības atkritumiem. Tos jāsavāc atsevišķi un jānodod atbilstošā vides atkritumu pārstrādes vietā. Sazinieties ar jūsu vietējo pašvaldību vai pārdevēju, lai gūtu informāciju par šādām savākšanas vietām.
 - Baterijas pakai ir pārkaršanas aizsardzība. Pārmērīgā temperatūrā akumulators nenodrošinās instrumenta barošanu. Ja akumulatoru bloks ir pārāk silts, ļaujiet tam atdzist pirms atsākt darbu. Ja produkts joprojām nedarbojas, veiciet akumulatora bloka atkārtotu uzlādi.
- PIEZĪME:** Akumulatora bloka LED indikators nedarbosies, ja akumulatora aizsardzības funkcijas dēļ akumulators vairs neveic produkta elektroapgādi. Atlaidiet ieslēgšanas-izslēgšanas pogu vai noņemiet akumulatoru bloku no izstrādājuma un akumulatoru bloka LED indikators atsāks normāli darboties.

PAPILDU AKUMULATORU BLOKA DROŠĪBAS BRĪDINĀJUMI

⚠ BRĪDINĀJUMS! Nesmidziniet uz produkta ūdeni. Tas var bojāt akumulatoru bloku.

Lai novērstu īssavienojuma izraisītu aizdegšanās, savainojumu vai produkta bojājuma risku, neiegremdējiet instrumentu, maināmo akumulatoru vai uzlādes ierīci šķidrums un rūpējieties par to, lai ierīcēs un akumulatoros neiekļūtu šķidrums. Koroziju izraisoši vai vadītspējīgi šķidrums, piemēram, sālsūdens, noteiktas ķīmikālijas, balinātāji vai produkti, kas satur balinātājus, var izraisīt īssavienojumu.

TRANSPORTĒŠANA UN UZGLABĀŠANA

- Apturiet izstrādājumu, noņemiet akumulatoru bloku un ļaujiet izstrādājumam atdzist. Pirms novietošanas glabāšanai vai pārvadāšanas, atvienojiet izstrādājumu no ūdens padeves.
- Pirms novietošanas glabāšanai izlaidiet ūdeni no sūkņa un visām šļūtenēm, iztukšojiet mazgāšanas līdzekļa tvertni.
- Rūpīgi satiniet iesūkšanas cauruli un glabājiet to kopā ar augstspiediena mazgātāju.
- Notīriet visus svešķermeņus no izstrādājuma. Uzglabājiet vēsā, sausā un labi vēdināmā vietā, kura nav pakļauta sala iedarbībai un nav pieejama bērniem. Neglabājiet produktu krāsns vai citu karstuma avotu tuvumā, kas var izkaltēt sūkņa blīves. Sargiet izstrādājumu no korozīvām vielām, piemēram, dārza ķīmikālijām un pretapledošanas sāls. Neglabājiet produktu ārpus telpām.
- Transportējot nostipriniet ierīci, lai tā nekustētos un neapgāztos, jo tas var izraisīt miesas bojājumus un ierīces bojājumus.

⚠ BRĪDINĀJUMS! Glabājiet produktu tikai iekštelpās. Glabājot izstrādājumu vietā, kur temperatūra ir zemāka par 0°, radīs bojājumus.

LITIJA BATERIJU TRANSPORTĒŠANA

Transportējiet baterijas saskaņā ar vietējiem un valsts noteikumiem un regulām.

Ievērojiet visas īpašās prasības saistībā ar iepakojumu un marķēšanu, transportējot trešās puses baterijas. Nodrošiniet, ka baterijas transportā nevar nonākt saskarē ar citām baterijām vai vadītspējīgiem materiāliem, aizsargājot atklātos savienotājus ar nevadošiem izolācijas vāciņiem vai lentēm. Netransportējiet iekļausušas baterijas vai

baterijas, kurām ir noplūde. Lūdziet padomu kravu pārvadāšanas uzņēmumam.

APKOPE

Lietojiet tikai oriģinālās ražotāja rezerves daļas, piederumus un uzgaļus. Pretējā gadījumā var tikt radīti ievainojumi un parādīts slikts sniegums, kā arī var tikt anulēta garantija.

Aptarnavimā atlikti būtina itin atdžiai, todē rekomēduojame, kad technē apziūā vykdytū kvalifikuotas specialistas. Veiciet apkalpošanu tikai pilnvarotā servisa centrā. Veicot apkopi, lietojiet tikai oriģinālās ražotāja rezerves daļas.

- Apturiet izstrādājumu, noņemiet akumulatoru bloku un ļaujiet izstrādājumam atdzist. Atvienojiet izstrādājumu no ūdens padeves:
 - pirms produkta tīrīšanas
 - pirms produkta apkopes veikšanas
 - pirms rezerves daļu nomaiņas
- Jūs varat veikt tikai šajā rokasgrāmatā aprakstīto regulēšanu un remontdarbus. Cita veida remontam vai konsultācijām, vērsieties pēc padoma autorizētā servisa centrā.
- Regulāri pārbaudiet un uzturiet produktu kārtībā, lai nodrošinātu drošu lietošanu. Nodrošiniet, ka akumulatoru nodalījums ir pareizi salikts, cieši noslēgts, regulāri pārbaudiet vai nav bojājumu. Jebkura bojāta detaļa jānodod remontam vai nomainītai pilnvarotā apkopes centrā.
- Ja produktu paredzēts glabāt ilgāku laika posmu, akumulatori ir jāizņem.

PAZĪSTIET SAVU IERĪCI

Skatīt 111. lappusi

1. Auklas atbrīvošanas poga
2. Papildu rokturis manšete
3. Papildu rokturis
4. Režīma vadības pārslēdzējs
5. Zemais režīms
6. Vidējais režīms
7. Augstais režīms
8. Groza spaiļe
9. Iesl./izsl. sprūds
10. Bloķēšanas poga
11. Rokturis
12. Izmantojamās baterijas nodalījums
13. Fiksators
14. 2L pudeles adapteris
15. Ūdens iekļūde
16. Ātrā savienojuma uzdeva

17. Sifona šļūtene
18. Virsmas tīrītājs
19. Filtrs
20. Metāla kāts
21. 3-in-1 sprausla
22. Lietotāja rokasgrāmata
23. Akumulators
24. Lādētājs
25. RYOBI mazgāšanas līdzeklis

⚠ BRĪDINĀJUMS! Nesavienojiet trīs vienā sprauslu ar produktu, izmantojot tikai RAC764 noliecamo adapteri. Izmantojot noliecamo adapteri, vienmēr izmantojiet pievienoto metāla kātu vai pagarinājuma kātu.

DROŠĪBAS IERĪCES

- Bloķēšanas poga
 - Mēlītes bloķētājs fiksē mēlīti un novērš nejaušu augstspiediena strūkļas izsmidzināšanu.

UZ PRECES ESOŠIE SIMBOLI



Brīdinājums



Lai samazinātu ievainojumu risku, lietotājam ir jāizlasa un jāizprot operatora rokasgrāmata pirms šī izstrādājuma lietošanas.



Valkājiet acu aizsarglīdzekļus un atbilstošu elpceļu aizsargmasku.



Izstrādājums nav piemērots pievienošanai dzeramā ūdens padevei bez atpakaļplūsmas bloķēšanas vārsta.



Nekad nevērsiet izsmidzināšanas pistoli pret cilvēkiem, dzīvniekiem, iekārtas korpusu, elektrības kontaktiem vai jebkurām elektriskām ierīcēm.



Nepakļaujiet lietum vai mitriem apstākļiem.



Eiropas atbilstības zīme



Lielbritānijas atbilstības zīme



EurAsian atbilstības marķējums



001

Ukrainas atbilstības zīme

Neizmetiet elektrisko un elektronisko iekārtu atkritumus kā nešķirotus sadzīves atkritumus. Elektrisko un elektronisko iekārtu atkritumi jāsavāc atsevišķi. Gaismas avotu atkritumi ir jāizņem no iekārtām. Sazinieties ar jūsu vietējo pašvaldību vai pārdevēju, lai gūtu informāciju par šādām savākšanas vietām. Saskaņā ar vietējiem noteikumiem mazumtirgotājiem var būt pienākums bez maksas pieņemt atpakaļ elektrisko un elektronisko iekārtu atkritumus. Jūsu ieguldījums elektrisko un elektronisko iekārtu atkritumu otrreizējā izmantošanā un otrreizējā pārstrādē palīdz samazināt izejvielu pieprasījumu. Elektrisko un elektronisko iekārtu atkritumi satur vērtīgus un pārstrādājamus materiālus, kas var nelabvēlīgi ietekmēt vidi un cilvēku veselību, ja tos neapglabā videi draudzīgā veidā. Izdzēsiet no atkritumos nododamajām iekārtām personīgos datus, ja tādi tur ir.



SIMBOLI ŠAJĀ ROKASGRĀMATĀ



Atsevišķi nopērkamās daļas vai piederumi



Piezīme



Brīdinājums

Projektuojant mūsų belaidį didžiaslėgį valytuvą pirmenybė buvo teikiama saugai, eksploatacinėms charakteristikoms ir funkciniam patikimumui.

NAUDOJIMO PASKIRTIS

Akumulatorinis aukšto slėgio plovimo įrenginys skirtas naudoti tik lauke.

Gaminys skirtas namų savininkams arba buitiniam naudojimui. Jis skirtas kiemo baldams, langams, automobiliams ir valtims plauti, šalinant įsisenėjusius nešvarumus švariu vandeniu su valymo priemone arba be jos.

Įrenginį privaloma naudoti gero apšvietimo sąlygomis.

Jei įrenginį naudojate bet kokiais kitais tikslais, pvz., vartotojų klasės valymo tirpalams ir dezinfekantams purkšti, naudokite specialius elektrinių plovimo įrenginių priedų rinkinius.

Nenaudokite kitais tikslais.

⚠ ĮSPĖJIMAS! Įrenginys skirtas naudoti su pateiktu neutraliu ar gamintojo rekomenduojamu valikliu. Naudojant kitokius valiklius ar chemines medžiagas gaminio saugai gali būti daromas nepalankus poveikis.

BENDRIEJI SAUGOS ĮSPĖJIMAI

⚠ ĮSPĖJIMAS! Perskaitykite visus saugos įspėjimus ir visą instrukciją. Įspėjimų ir instrukcijų nesilaikymas gali sukelti elektros smūgį, gaisrą ir (ar) rimtus sužeidimus.

⚠ ATSARGIAI! Jeigu nesumontuotas standarto EN 12729 reikalavimus atitinkantis B šeimos A tipo atbulinio tekėjimo skyriklis, įrenginį naudoti tiekiant geriamąjį vandenį neleidžiama. Per atbulinio tekėjimo skyriklių tekantis vanduo nėra tinkamas gerti. Nejunkite įrenginio prie geriamojo vandens tiekimo sistemos.

- Vaikams ar asmenims, nesugebantiems saugiai naudotis šiuo įrenginiu dėl savo psichinio, jutiminio arba protinio neįgalumo arba patirties bei žinių trūkumo, šiuo įrenginiu naudotis neleidžiama. Vaikus reikia tinkamai prižiūrėti, kad jie nežaistų su krūmapjove.
- Eksploatuodami įrenginį naudokite visas asmeninės apsaugos priemones, t. y. apsauginius darbo akinius ir klausos apsaugos priemones.

- Siekiant išvengti sužeidimo pasirinkite, kad arti nebūtų vaikų ar pašalinių. Visi pašaliniai asmenys privalo nešioti apsauginius akinius ir būti saugiu atstumu nuo darbo vietos.

- Įsitinkite, ar tinkamai veikia saugos įtaisai. Kiekvieną kartą prieš imdamiesi naudoti įrenginį patikrinkite, ar visi saugos įtaisai veikia pagal reikalavimus.

- Nesinaudokite įrenginiu, jei pažeistos svarbios jo dalys, pvz., saugos įtaisai ar purškimo vamzdis.

⚠ ĮSPĖJIMAS! Naudojant šį įrenginį, gali susidaryti aerosoliai. Įkvėpti aerosoliai gali pakenkti jūsų sveikatai. Atsižvelgiant į valymo aplinką, gali tekti naudoti FFP 2 ar lygiavertės klasės kvėpavimo kaukę.

- Nesukiokite antgalio, kai laikote nuspaudę gaiduką. Jei purškiant vandenį pasuksite antgalį, vanduo tekės pro slėgio mažinimo kanalą. Tai nėra nuotėkis – taip vanduo išleidžiamas nesugadinant įrenginio.

- Didžiaslėgis srautas kelia pavojų, jeigu naudojamas netinkamai. Srauto nenukreipkite į žmones, įtampos turinčią elektros įrangą ar patį įrenginį.

- Nenukreipkite srovės į save ar kitus, ketindami nuvalyti drabužius arba avalynę.

- Įrenginio sauga glaudžiai susijusi su žarnomis, jungiamosiomis dalimis ir movomis. Naudokite tik gamintojo rekomenduotas žarnas, jungiamąsias detales ir movas.

- Kai kuriuose regionuose taisyklės riboja įrenginio naudojimą. Kreipkitės patarimo į vietos įstaigą.

- Kiekvieną kartą prieš imdamiesi naudoti įrenginį, patikrinkite, ar jis nėra pažeistas. Pažeistas žarnas privaloma nedelsiant pakeisti naujomis. Patikrinkite, ar tvirtai sumontuotos visos jungtys, pvz., purškimo vamzdžio ir antgalio. Žarnas išvyniokite tinkamai, kad jos nebūtų sulenkiamos ar susukamos.

- Prieš imdamiesi bet kokių valymo darbų uždarykite duris ir langus. Iš valytinos zonos pašalinkite šiukšles, žaislus, lauko baldus ar kitus galinčius kelti pavojų objektus.

- Įrenginio nenaudokite žemesnėje kaip 0°C temperatūroje.

- Su įrenginiu nenaudokite rūgščių, šarmų, tirpiklių ar pramonės reikmėms skirtų tirpalų.

Minėti produktai gali sužaloti operatorių ir nepataisoma sugadinti įrenginį.

⚠ **ISPĖJIMAS!** Kad apsisaugotumėte nuo sprogdimo, nepurškite degiųjų skysčių.

⚠ **ISPĖJIMAS!** Didžiaslėgis srautas kelia pavojų, jeigu būtų naudojamas ne pagal paskirtį. Srauto neleidžiama nukreipti į žmones, gyvūnus, elektros įtaisus ar į įrenginį.

- Rankeną laikykite tvirtai abiem rankom. Numatykite, kad rankena pajudės, kai patraukus paleidžiamąjį įtaisą jį veiks sąveikos jėgos. Jeigu į šiuo dalykus neatsižvelgsite, galite to įtaiso nesuvaldyti ir būsite sužeistas pats ar sužeisite kitus.
- Judėkite apdairiai, kad nepaslystumėte ar nepargriūtumėte.
- Visada tvirtai stovėkite ir išlaikykite pusiausvyrą. Nepersitempkite. Persitempę galite prarasti pusiausvyrą.
- Niekada nepalikite veikiančio prietaiso be priežiūros. Išjunkite įrenginį ir padėkite jį tik tada, kai jis visiškai sustos. Įrenginį, kuriuo teka elektros srovė, privaloma laikyti vaikams nepasiekiamoje vietoje.
- Susipažinkite, kaip reikia naudoti valdymo įtaisus. Susižinokite, kaip galima išjungti įrenginį ir greitai sumažinti slėgį.
- Būkite budrus ir kontroliuokite situaciją. Stebėkite, ką darote ir vadovaukitės sveika nuovoka.
- Nesinaudokite įrankiu būdami pavargę, apsvaigę nuo narkotinių medžiagų, alkoholio arba vaistų. Valdydami įrenginį, sutelkite į darbą visą dėmesį, antraip galite sunkiai susižaloti.
- Jei jungikliu prietaiso negalite tinkamai įjungti ir išjungti, prietaiso nenaudokite. Jungikliu nevaldomas bet koks prietaisas yra pavojingas ir jį reikia taisyti.
- Valdydami transporto priemonės užtikrinkite ne mažesnę kaip 30 cm atstumą. Didžiaslėgis srautas gali apgadinti ar susprogdinti transporto priemonės padangas ir (arba) padangų ventilius.
- Įrenginiu naudotis draudžiama, jei jis buvo numestas, jei yra matomų jo pažeidimo požymių arba nuotėkių.
- Ilgiau naudojant, įrankis kelia sužeidimų pavojų ir apsunkina darbą. Naudodamiesi įrenginiu ilgesnį laiką, būtinai darykite pertraukas.

ELEKTROS AKUMULIATORIAUS SAUGOS ĮSPĖJIMAI

- Akumuliatorių bloką įkraukite tik naudodami gamintojo nurodytą kroviklį. Vieno tipo akumuliatoriui tinkantis įkroviklis gali kelti gaisro pavojų kitokiam akumuliatoriui.
 - Kai akumuliatorius nenaudojamas, jį laikykite toliau nuo kitų metalinių daiktų, pavyzdžiui, sąvaržėlių, monetų, raktų, vinių, varžtų ar kitų mažų metalinių daiktų, kurie vieną gnybtą gali sujungti su kitu. Sutrumpinus vieną akumuliatoriaus gnybtą su kitu, galima nusideginti arba sukelti gaisrą.
 - Elektros akumuliatorių ir įkroviklį saugokite nuo drėgmės ir skysčių.
 - Įrenginį naudokite tik su šiame vadove nurodytu elektros akumuliatoriumi. Naudojant kitokius akumuliatorius, galima susižeisti ar sukelti gaisrą.
 - Netinkamomis sąlygomis iš akumuliatoriaus gali ištekėti skystis - nelieskite jo. Jei atsitiktinai prisilietėte - nuplaukite vandeniu. Jei skysčio pateko į akis, papildomai kreipkitės į gydytoją. Iš akumuliatoriaus ištekėjęs skystis gali nudeginti ar sukelti sudirginimus.
 - Neišmeskite akumuliatorių blokų kartu su buitinėmis atliekomis. Juos reikia surinkti atskirai ir grąžinti į su aplinkosauga suderinamą perdirbimo įmonę. Patarimų dėl perdirbimo ir informacijos apie surinkimo punktus kreipkitės į savo vietos valdžios institucijas.
 - Baterijų pakete įmontuota apsauga nuo perkaitimo. Esant ekstremalioms temperatūroms akumuliatorius įrankio nebekrauna. Jei akumuliatorius per daug įkaitęs, palaukite, kol jis atvės, ir tik tada tęskite darbą. Jei įrenginys neveikia, įkraukite akumuliatorių.
- PASTABA:** Akumuliatoriaus įkrovos diodinis indikatorius neveiks, jei, suveikus akumuliatoriaus apsaugos funkcijai, akumuliatorius nustos tiekti energiją įrenginiui. Atleiskite įjungimo / išjungimo mygtuką arba išimkite akumuliatorių bloką iš gaminio ir akumuliatorių bloko LED indikatorius vėl pradės veikti įprastai.

PAPILDOMI AKUMULIATORIAUS SAUGOS ĮSPĖJIMAI

⚠ **ĮSPĖJIMAS!** Nepurškite vandens ant įrenginio. Antraip gali būti sugadintos elektrinės dalys ir akumuliatorius.

Siekdami išvengti trumpojo jungimo sukeliama gaisro pavojaus, sužalojimų arba produkto pažeidimų, neikiškite įrankio, keičiamo akumuliatoriaus arba įkroviklio į skysčius ir pasirūpinkite, kad į prietaisus arba akumuliatorius nepatektų jokių skysčių. Koroziją sukeliantys arba laidūs skysčiai, pvz., sūrus vanduo, tam tikri chemikalai ir balikliai arba produktai, kurių sudėtyje yra baliklių, gali sukelti trumpąjį jungimą.

GABENIMAS IR LAIKYMAS

- Išjunkite įrenginį, išimkite elektros akumuliatorių ir palaukite, kol įrenginys atauš. Prieš sandėliuodami įrenginį ar prieš jį gabendami atjunkite nuo vandens tiekimo linijos.
- Prieš sandėliuodami įrenginį iš visų žarnų ir siurblio pašalinkite vandenį bei ištuštinkite ploviklio talpyklą.
- Tinkamai suvyniokite sifono žarną ir laikykite ją su aukšto slėgio valymo įrenginiu.
- Nuo įrankio nuvalykite visas pašalines medžiagas. Įrenginį sandėliuokite vėsioje, apsaugotoje nuo šalčio, sausoje, tinkamai ventiliuojamoje ir vaikams neprieinamoje vietoje. Nelaikykite gaminio šalia šildymo katilo ar kitų šilumos šaltinių, kurie galėtų išdžiovinti siurblio tarpiklius. Laikykite gaminį toliau nuo korozinių medžiagų, pvz. sodo chemikalų ir tirpdančių druskų. Nelaikykite įrenginio lauke.
- Paruošiant gabenimui, gaminį reikia pritvirtinti, kad nejudėtų ir nenuksėtų, nes priešingu atveju jis gali sužaloti žmones arba sugesti pats.

⚠ **ĮSPĖJIMAS!** Įrenginį laikykite tik patalpoje. Jei laikysite prietaisą žemesnėje nei 0 °C temperatūroje, jis gali sugesti.

LIČIO BATERIJŲ TRANSPORTAVIMAS

Akumuliatorių gabenkite pagal vietinius ir šalies reikalavimus bei nuostatas.

Akumuliatorius gabenant trečiajai šaliai būtina laikytis visų specialių reikalavimų, nurodytų pakuotėse ir etiketėse. Užtikrinkite, kad gabenimo metu nei vienas akumuliatorius nesiliestų su kitais akumuliatoriais arba laidžiosiomis medžiagomis – apsauginius jungiamuosius elementus uždenkite izoliacinėmis nelaidžiomis movomis arba juosta. Įskilusių ir tekančių akumuliatorių

negabenkite. Dėl tolesnių patarimų kreipkitės į transporto įmonę.

PRIEŽIŪRA

Keitimui naudokite tik originalias gamintojo atsargines dalis. Neoriginalios dalys gali būti sužeidimų ir įrenginio blogo veikimo priežastis, ir dėl to gali būti anuliuotas garantinis pažymėjimas.

Aptarnavimą atlikti būtina itin atidžiai, todėl rekomenduojame, kad techninę apžiūrą vykdytų kvalifikuotas specialistas. Įrenginį techninei priežiūrai pristatykite tik į įgaliotąjį techninės priežiūros centrą. Atlikdami prietaiso techninę priežiūrą, keitimui naudokite tik originalias, prietaiso gamintojo atsargines dalis.

- Išjunkite įrenginį, išimkite elektros akumuliatorių ir palaukite, kol įrenginys atauš. Įrenginį atjunkite nuo vandens tiekimo linijos prieš:
 - valydami įrenginį;
 - imdamiesi įrenginio techninės priežiūros darbų;
 - keisdami atsargines dalis.
- Gaminį reguliuoti ar taisyti patiems galima tik tiek, kiek aprašyta šiame vadove. Dėl kitų dalių taisymo ar pagalbos taisant reikia kreiptis į įgaliotą techninio aptarnavimo centrą.
- Reguliariai tikrinkite, ar įrenginys atitinka saugos reikalavimus ir atlikite jo techninę priežiūrą. Įsitikinkite, kad akumuliatoriaus skyrius yra tinkamai sumontuotas ir sandariai uždarytas; dažnai tikrinkite, ar nėra pažeidimų. Bet kurią apgadintą detalę leidžiama remontuoti arba keisti tik autorizuotame aptarnavimo centre.
- Jei įrenginys bus ilgai nenaudojamas, privaloma išimti akumuliatorių.

SUSIPAŽINKITE SU ĮRENGINIU

Žr. 111 psl.

1. Lyno atleidimo mygtukas
2. Pagalbinės rankenos žiedas
3. Pagalbinė rankena
4. Režimo valdymo jungiklis
5. Mažo greičio režimas
6. Vidurinis režimas
7. Didelio greičio režimas
8. Kibiro laikiklis
9. Įjungimo/išjungimo spragtukas
10. Fiksavimo mygtukas
11. Rankena
12. Naudojamų baterijos skyrius
13. Fiksatorius
14. 2 l talpos indo adapteris
15. Vandens įvadas

16. Greito sujungimo mova
17. Sifono žarna
18. Paviršių valiklis
19. Filtras
20. Metalinis vamzdis
21. Antgalis „trys viename“
22. Naudotojo vadovas
23. Baterija
24. Įkroviklis
25. RYOBI valymo priemonė

⚠ ĮSPĖJIMAS! Nejunkite antgalio „trys viename“ tiesiai prie įrenginio RAC764 pasukamojo adapterio. Jei naudojate pasukamąjį adapterį, visada junkite naudokite komplekte esantį metalinį vamzdį arba ilginamąjį vamzdį.

SAUGOS ĮTAISAI

- Fiksavimo mygtukas
 - Gaiduko fiksatorius užfiksuoja gaiduką ir apsaugo nuo netyčinio aukšto slėgio srovės paleidimo.

SIMBOLIAI ANT ĮRENGINIO



Įspėjimas!



Prieš pradėdami naudoti šį gaminį perskaitykite ir supraskite šią vartotojo instrukciją, kad sumažintumėte sužeidimų pavojų.



Dėvėkite akių apsaugas ir tinkamą kvėpavimo kaukę.



Šio prietaiso negalima jungti prie geriamojo vandens tinklo, jei nesumontuotas apsaugos nuo atbulinio srauto įtaisas.



Purškimo vamzdelį draudžiama nukreipti į žmones, gyvūnus, mechanizmo korpusą, elektros energijos tiekimo įrangą arba bet kokius elektros įtaisus.



Neleiskite gaminiui būti po lietuami arba drėgnose sąlygose.



Europos atitikties ženklas



Didžiosios Britanijos atitikties ženklas



„EurAsian“ atitikties ženklas



001

Ukrainos atitikties ženklas

Neišmeskite elektros ir elektroninės įrangos atliekų kartu su nerūšiuotomis komunalinėmis atliekomis. Elektros ir elektroninės įrangos atliekas privaloma surinkti atskirai. Šviesos šaltinių atliekas iš įrangos privaloma pašalinti. Patarimų dėl perdirbimo ir informacijos apie surinkimo punktus kreipkitės į savo vietos valdžios institucijas. Atsižvelgiant į vietos teisės aktus, mažmenininkai gali būti įpareigoti nemokamai priimti atgal elektros ir elektroninės įrangos atliekas. Prisdėdami prie pakartotinio elektros ir elektroninės įrangos atliekų panaudojimo ir perdirbimo padedate mažinti žaliavų poreikį. Elektros ir elektroninės įrangos atliekose yra vertingų ir perdirbimui tinkamų medžiagų, kurios gali turėti neigiamą poveikį aplinkai ir žmonių sveikatai, jei nėra šalinamos aplinkai nekenksmingu būdu. Ištrinkite senuose prietaisuose esančius asmens duomenis, jei tokių buvo.

SIMBOLIAI VADOVE



Detalės arba priedai yra parduodami atskirai



Pastaba



Įspėjimas!

Juhtmeta survepesuri juures on peetud esmatähtsaks ohutust, töövõimet ja töökindlust.

OTSTARBEKOHANE KASUTAMINE

Juhtmeta survepesurit tohib kasutada ainult välitingimustes.

Seade on ette nähtud kasutamiseks kodumajapidamises. See on mõeldud terrassimööbli, akende, autode, paatide puhastamiseks, kasutades mustuse eemaldamiseks puhast vett koos puhastusvahendiga või ilma selleta.

Toodet tohib kasutada hästi valgustatud tingimustes.

Kui kasutate muul otstarbe, kasutage survepesuri jaoks ettenähtud lisaseadmete komplekte, näiteks tarbijatele mõeldud pihustatavaid puhastuslahuseid ja desinfitseerimisvahendeid.

Ärge kasutage ühekski muuks otstarbeks.

⚠ HOIATUS! Tootega võib kasutada kaasasolevat või tootja poolt soovitatud neutraalset puhastusvahendit. Teiste puhastusvahendite või kemikaalide kasutamine võib kahjustada toote ohutust.

OHUTUSE ÜLDEESKIRJAD

⚠ HOIATUS! Lugege kõik ohuhoiatused ja juhised läbi. Hoiatuste ja juhiste eiramisel on oht saada elektrilööki või raskeid kehavigastusi ning/või põhjustada tulekahju.

⚠ ETTEVAATUST! Toodet ei tohi kasutada ilma EN 12729 BA-tüüpi tagasivooluventiilita joogiveevõrgus. Tagasivooluventiilist läbivoolav vesi ei ole joogikõlblik. Ärge ühendage toodet avaliku joogiveevõrguga.

- Toodet ei tohi kasutada lapsed või isikud, kelle füüsilised või vaimsed võimed on piiratud või kellel ei ole seadme kasutamiseks vajalikke kogemusi või teadmisi. Laste järele tuleb piisavalt valvata, et nad seadmega ei mängiks.
- Tootega töötamise ajal kasutage isikukaitsevahendeid, nagu kaitseprillid ja kuulmiskaitsevahendid.
- Vigastuste ohu vähendamiseks hoidke lapsed ja kõrvalised isikud eemal. Kõik kõrvalseisjad peavad kandma kaitseprille ja olema tööpiirkonnast ohutus kauguses.
- Veenduge, et ohutusseadmed oleksid heas töökorras. Iga kord enne kasutamist

veenduge, et kõik turvaseadmed töötavad korralikult.

- Ärge kasutage toodet, kui olulised osad (nt turvaseadmed või pihustustoru) on kahjustatud.

⚠ HOIATUS! Tootega töötamise ajal võivad tekkida aerosoolid. Aerosooli sissehingamine võib tervist kahjustada. Olenevalt puhastamiskeskonnast võib vaja minna FFP2-klassi või samaväärset respiraatorit.

- Päästiku tõmbamise ajal ärge pihustit keerake. Kui pihusti keeramise ajal voolab vett, laseb möödavoolukanal vett läbi. Tegemist ei ole lekkega, vaid nii pääseb vesi välja tööriista kahjustamata.

- Survejuga on vale kasutamise puhul ohtlik. Ärge suunake juga inimeste, voolu all olevate elektriseadmete ega toote enda peale.

- Ärge suunake juga enda ega teiste poole, et puhastada riideid või jalanõusid.

- Voolikud, liitmikud ja muhvid on toote ohutuse seisukohalt olulised. Kasutage ainult tootja soovitatud voolikuid, liitmikke ja muhve.

- Mõnedes piirkondades on seadused, mis piiravad selle toote kasutamist. Lisateavet saate kohalikust omavalitsusest.

- Iga kord enne kasutamist kontrollige, kas esineb kahjustusi. Kahjustatud voolikud tuleb viivitamatult välja vahetada. Veenduge, et kõik ühendused (nt pihustustoru ja pihusti) oleks turvalised. Kerige voolik lahti õigesti, et see ei läheks keerdu ega sõlme.

- Enne puhastamist sulgege aknad ja ukсед. Puhastatavas piirkonnas ei tohi olla prahti, mänguasju, aiamehhanismi ega muid ohtlikuks osutada võivaid esemeid.

- Ärge kasutage toodet temperatuuril alla 0 °C.

- Ärge kasutage toodet hapete, aluste, lahustite ega tööstuslike lahustega. Need tooted võivad kasutajat füüsiliselt vigastada ja toodet pöördumatult kahjustada.

⚠ HOIATUS! Plahvatusohu vältimiseks ärge pihustage süttivaid vedelikke.

⚠ HOIATUS! Valesti kasutatav survejuga võib olla ohtlik. Ärge suunake juga inimeste, voolu all olevate elektriseadmete ega toote enda peale.

- Hoidke käepidemest kindlalt mõlema käega kinni. Olge valmis selleks, et käepide võib päästiku tõmbamisel reaktsioonijõudude tõttu liikuda. Kui päästikut kindlalt ei hoita, võib kontroll pesuri üle kaduda ja te võite ennast või teisi vigastada.
- Olge ettevaatlik, et te ei libiseks ega kukuks.
- Hoidke kindlat jalgade asendit ja tasakaalu. Ärge kummardage. Kummardamine võib põhjustada tasakaalu kadumist.
- Ärge kunagi jätke toodet tööle järelevalveta. Lülitage toode välja ja lahkuge alles siis, kui toode on täielikult peatanud. Hoidke lapsed sisselülitatud tootest eemal.
- Tehke juhtelemendid endale selgeks. Tehke endale selgeks toote peatamine ja kiiresti surve alt vabastamine.
- Olge tähelepanelik ja hoidke seadet kontrolli all. Jälgige mida teete ja kasutage tervet mõistust.
- Ärge kasutage toodet, kui olete väsinud, haige või narkootikumide, alkoholi või ravimite mõju all. Hetkeline tähelepanu hajumine seadme kasutamise ajal võib põhjustada raske kehavigastuse.
- Ärge kasutage seadet, kui lüliti ei lülita seda sisse ja välja. Lülitiga lülitamatu seadme kasutamine on ohtlik ja see tuleb lasta ära remontida.
- Auto puhastamisel hoidke vähemalt 30 cm vahet. Survejuga võib autorehve ja/või ventiile kahjustada või nad ära lõhkuda.
- Toodet ei tohi kasutada, kui see on maha kukkunud, sellel on nähtavaid vigastusi või see lekib.
- Seadme pikaajalisel kasutamisel võite saada kehavigastusi ja varasemad vigastused võivad süveneda. Kui kasutate toodet pikaajaliselt, tehke regulaarselt pause.

AKU OHUTUSNÕUDED

- Aku laadimiseks kasutage ainult tootja poolt kindlaks määratud laadijat. Akulaadija, mis sobib ühele akupaketile võib põhjustada tulekahju, kui seda kasutada teise akupaketiga.
- Sel ajal kui akupakett ei ole kasutusel, hoidke seda eemal metallesemetest nagu kirjaklambrid, mündid, võtmed, naelad, kruvid ja muudest väikestest metallobjektidest, mis võivad akuklemmid

lühistada. Aku klemmide lühistamine võib põhjustada põletust või tulekahju.

- Ärge hoidke akut ja laadijat märgades ja niisketes tingimustes.
 - Kasutage toodet ainult selles kasutajjuhendis määratud akuga. Muude akupakettide kasutamine võib põhjustada kehavigastusi või tulekahju.
 - Aku vale kasutamise korral võib akuvedelik välja voolata - vältige sellega kokkupuudet. Akuvedeliku nahale sattumisel peske see veega maha. Akuvedeliku silma sattumisel pöörduge arsti poole. Väljapritsv akuvedelik võib tekitada nahaärritust või -põletust.
 - Ärge visake akusid muude olmejäätmete hulka. Need tuleb koguda eraldi ja viia keskkonnasäästlikku jäätmekäitluskohta. Küsige nõu jäätmekäitluse ja kogumiskoha kohta oma kohalikust omavalitsusest või jaemüüjalt.
 - Akupaketil on ülekuumenemise kaitse. Liigne temperatuur põhjustab tööriista toite katkemise. Kui aku on liiga soe, laske sel enne töö jätkamist maha jahtuda. Kui toode ei hakka ikka tööle, on vaja akut uuesti laadida.
- MÄRKUS.** Aku LED-tuli ei põle, kui aku kaitsefunktsioon on aku töö peatanud. Vabastage sisse-välja lüliti või eemaldage tootest aku ning aku LED-indikaatori tavafunktsioon taastub.

AKU LISAOHUTUSJUHISED

⚠ HOIATUS! Ärge suunake veejuga tootele. See võib kahjustada akut.

Et vähendada tulekahju ja kehaliste vigastuste ohtu ning lühisest tulenevat toote kahjustamist, ärge kunagi kastke tööriista, akut või laadijat vedelikesse ega laske neil vedelikega kokku puutuda. Korrodeeruvad või elektrit juhtivad vedelikud, nagu soolvesi, teatud kemikaalid ja pleegitusained või pleegitusaineid sisaldavad tooted, võivad põhjustada lühisid.

TRANSPORTIMINE JA HOIUSTAMINE

- Peatage toode, eemaldage aku ja laske tootel maha jahtuda. Enne hoiustamist või transporti ühendage toode veevarustuse küljest lahti.
- Enne toote hoiustamist eemaldage kõigist voolikutest ja pumbast vesi ning tühjendage puhastusvahendi paak.

- Kerige sifoonvoolik korralikult kokku ja hoiustage koos survepesuriga.
 - Puhastage seade kõikidest võõrkehadedest. Hoidke pesurit jahedas, kuivas ja hästi ventileeritud ning lastele kättesaamatus kohas. Ärge hoiustage toodet ahju ega muude soojusallikate lähedal, see võib pumbatihendid ära kuivatada. Hoidke seadet eemal korrodeerivatest ainetest, nagu aiakemikaalid ja jääsulatussoolad. Ärge hoiustage toodet väljas.
 - Vedamise ajal tõkestage kultivaator liikuma hakkamise ja alla kukkumise vastu, et vältida kehavigastusi ja masinaosade kahjustamist.
- ⚠ **HOIATUS!** Hoiustage toodet ainult siseruumides. Toote hoiustamine madalama kui 0° temperatuuri juures kahjustab toodet.

LIITUMAKUDE TEISALDAMINE

Akude transportimisel juhendage kasutuskohas kehtivatest riiklikest määrustest ja eeskirjadest.

Akude transportimisel allettevõtjate poolt järgige kõiki pakkimise ja tähistamise erinõudeid. Veenduge, et akud ei satu kokkupuutese teiste akude ega voolu juhtivate materjalidega, kui avatud klemmid on transportimise ajal kaitstud voolu mittejuhtivate isoleerkorkide või teibiga. Ärge transportige pragunenud või lekkivaid akusid. Küsi lisateavet transportettevõtelt.

HOOLDUS

Kasutage ainult tootja originaalvaruosi, tarvikuid ja tööorganeid. Selle nõude eiramine võib põhjustada, kehavigastuse, tootluse languse ja teile antud garantii tühistamise.

Hooldamine nõuab ülimalt korrashoidu ja teadmisi ning tuleks teostada ainult kvalifitseeritud hooldustehnikute poolt. Toodet tohib parandada vaid volitatud teeninduses. Muruniiduki hooldamisel kasutage ainult tootja originaalvaruosi.

- Peatage toode, eemaldage aku ja laske tootel maha jahtuda. Ühendage toode veevarustuse küljest lahti:
 - enne toote puhastamist
 - enne toote hooldamist
 - enne varuosade vahetamist
- Lubatud on teha ainult selles kasutusjuhendis kirjeldatud reguleerimis- ja parandustoiminguid. Muude remonditööde tellimiseks ja abi saamiseks pöörduge volitatud hoolduskeskusesse.

- Tööohutuse tagamiseks tuleb toodet regulaarselt kontrollida ja hooldada. Veenduge, et akukamber on korralikult ühendatud ja tihedalt kinni ning kontrollige sageli, kas esineb kahjustusi. Vigastatud osad tuleb lasta pädeval hooldajal parandada või asendada.
- Kui toodet ei kasutata ja see pannakse pikemaks ajaks hoiule, tuleb aku eemaldada.

ÕPPIGE OMA TOODET TUNDMA

Vt leht 111.

1. Jõhvi vabastamise nupp
2. Abikäepideme ääris
3. Abikäepide
4. Režiimi valikunupp
5. Madala kiiruse režiim
6. Keskmine režiim
7. Suure kiiruse režiim
8. Ämbriklamber
9. „Sisse/Välja“-päästik
10. Lukustusnupp
11. Käepide
12. Aku tööpesa
13. Lukusti
14. 2 l pudeli adapter
15. Vee sisselase
16. Kiirühendusliitmik
17. Sifoonvoolik
18. Pinna puhasti
19. Filter
20. Metalltoru
21. 3-ühes-otsak
22. Kasutusjuhend
23. Aku paketiaga
24. Laadija
25. RECEBI pesuaine

⚠ **HOIATUS!** Ärge ühendage 3-ühes-otsakut tootega, kasutades ainult RAC764 pöörlevat adapterit. Pöörleva adapteri kasutamisel kasutage alati kaasasolevat metalltoru või pikendustoru.

OHUTUST TAGAVAD SEADISED

- Lukustusnupp
 - Päästiku lukustus lukustab päästiku ja hoiab ära survejoa tahtmatu vabastamise.

MASINAL OLEVAD SÜMBOLID



Hoiatus



Vigastusohu vähendamiseks peab kasutaja enne seadme kasutamist kasutusjuhendi läbi lugema ja endale selgeks tegema.



Kasutage kaitseprille ja nõuetekohast respiraatorit.



Toodet ei tohi ühendada joogiveevõrguga ilma tagasisivoolukaitseta.



Ärge kunagi suunake pihustustoru inimeste, loomade, masina korpuse, toiteallika ega elektriseadmete poole.



Ärge jätke vihma ega niiskuse kätte.



Euroopa vastavusmärgis



Suurbritannia vastavusmärgis



Euraasia vastavusmärk



Ukraina vastavusmärgis



Ärge kõrvaldage elektri- ja elektroonikaseadmete jäätmeid sortimata olmejäätmetena. Elektri- ja elektroonikaseadmete jäätmed tuleb koguda eraldi. Jäätmetest valgusallikad tuleb seadmetest eemaldada. Küsige nõu jäätmekäitluse ja kogumiskoha kohta oma kohalikust omavalitsusest või jaemüüjalt. Kohalike eeskirjade kohaselt võib jaemüüjatel olla kohustus elektri- ja elektroonikaseadmete jäätmete korduskasutamisse ja ringlussevõttu aitab vähendada toorainete nõudlust. Elektri- ja elektroonikaseadmete jäätmed sisaldavad väärtuslikke ja ringlussevõetavaid materjale, mis võivad keskkonda ja inimeste tervist kahjustada, kui neid ei kõrvaldata keskkonnasäästlikul viisil. Olemasolul kustutage jäätmeseadmest isikuandmed.

KASUTUSJUHENDI SÜMBOLID



Eraldi ostetavad osad või tarvikud



Märkus



Hoiatus

Vodeću ulogu u dizajnu Vašeg bežičnog visokotlačnog čistača imaju sigurnost, performanse i pouzdanost.

NAMJENA

Bežični visokotlačni čistač namijenjen je isključivo uporabi na otvorenom prostoru.

Ovaj proizvod namijenjen je za kućnu ili upotrebu u domaćinstvu. Namijenjen je za pranje namještaja na terasama, automobila, čamaca tako što se njime uklanja tvrdokorna prljavština čistom vodom s deterdžentom ili bez njega.

Proizvod se treba koristiti u dobro osvijetljenim uvjetima.

Koristite namjenske komplete s priborom za električni perač kada ga koristite za bilo koju drugu svrhu, kao što su otopine za čišćenje i dezinficijensi namijenjeni za potrošače.

Proizvod ne koristite ni za kakvu drugu svrhu.

⚠ UPOZORENJE! Proizvod je osmišljen za uporabu s neutralnim sredstvom za pranje, koje se isporučuje s njim ili koje preporučuje proizvođač. Uporaba drugih sredstava za pranje ili kemikalija može nepovoljno utjecati na sigurnost proizvoda.

OPĆA SIGURNOSNA PRAVILA

⚠ UPOZORENJE! Pročitajte sva sigurnosna upozorenja i sve upute. Nepridržavanje upozorenja i uputa može izazvati strujni udar, požar i/ili ozbiljne ozljede.

⚠ UPOZORENJE! Proizvod se ne smije koristiti na dovodu tekuće vode ako prethodno nije montiran uređaj za sprječavanje povratnog toka vode koji odgovara normi EN 12729, tip BA. Voda koja protječe kroz uređaj za sprječavanje povratnog toka ne smatra se pitkom. Proizvod ne spajajte na javnu mrežu za pitku vodu.

- Proizvod ne smiju koristiti djeca ili osobe smanjenih motoričkih, senzornih ili mentalnih sposobnosti, te nestručne osobe i osobe bez iskustva. Djecu je potrebno odgovarajuće nadzirati kako bi se osiguralo da se ne igraju s proizvodom.
- Pri radu proizvodom nosite osobnu zaštitnu opremu kao što su zaštitne naočale i zaštita za sluh.
- Kako biste smanjili rizik od ozljeda, djecu i posjetitelje držite podalje od mjesta rada. Sve nazočne osobe moraju nositi

sigurnosne naočale i biti na sigurnoj udaljenosti od radnog područja.

- Uvjerite se da su svi sigurnosni uređaji u dobrom radnom stanju. Prije svake uporabe provjerite rade li svi sigurnosni uređaji ispravno.
- Nemojte koristiti proizvod ako su oštećeni njegovi važni dijelovi, kao što su to sigurnosni uređaji ili nastavak za prskanje.

⚠ UPOZORENJE! Tijekom korištenja proizvoda mogu nastati aerosoli. Udisanje aerosola može biti opasno po zdravlje. Možda će vam trebati maska za disanje klase FFP 2 ili ekvivalentne, ovisno o okolišu koji se čisti.

- Ne okrećite mlaznicu dok povlačite okidač. Ako voda teče dok je mlaznica okrenuta, kanal za rasterećenje ispušta vodu. To nije ispuštanje nego omogućava da voda iscuri bez oštećivanja alata.
- Visokotlačni mlaz je opasan ako se koristi na pogrešan način. Nemojte usmjeravati mlaz prema osobama, elektroničkim dijelovima pod naponom ili samom proizvodu.
- Nemojte usmjeravati mlaz prema sebi ili drugima radi čišćenja odjeće ili obuće.
- Crijeva, priključci i spojnice su važni za sigurnost proizvoda. Koristite samo crijeva, priključke i spojnice preporučene od strane proizvođača.
- Neke regije imaju pravila koja ograničavaju korištenje proizvoda. Provjerite kod lokalnih tijela za savjet.
- Prije svake uporabe provjerite na oštećenja. Oštećena crijeva moraju se odmah zamijeniti. Uvjerite se da su svi priključci, kao što su nastavak za prskanje i mlaznica, čvrsto zategnuti i sigurno spojeni. Crijevo odmotajte tako da se ne savija ili uvija.
- Prije započinjanja postupka čišćenja zatvorite vrata i prozore. Oslobodite područje koje želite čistiti od ostataka, igraćaka, vanjskog namještaja ili drugih predmeta koji mogu predstavljati opasnost.
- Nemojte koristiti proizvod na temperaturama nižim od 0°C.
- Nemojte koristiti kiseline, lužine, otapala ili industrijske otopine u proizvodu. Ovi proizvodi mogu prouzročiti tjelesne ozljede operateru i nepovratnu štetu na proizvodu.

⚠ UPOZORENJE! Kako biste izbjegli rizik od eksplozije, nemojte prskati zapaljive tekućine.

⚠ UPOZORENJE! Mlaz pod visokim tlakom može biti opasan ako se zlorabi ili pogrešno upotrebljava. Zabranjeno je usmjeravati mlaz prema ljudima, električnim uređajima ili samom proizvodu.

- Držite ručicu čvrsto s obje ruke. Očekujte da će se, zbog reakcijskih sila i djelovanja mlaza, ručica pištolja pomaknuti kada povučete okidač. Ako ne slijedite ove upute možete izgubiti kontrolu nad uređajem i prouzročiti tjelesne ozljede sebi i drugim osobama u okolici.
- Budite iznimno oprezni kako se ne biste okliznuli ili pali.
- Zauzmite čvrst stav i ravnotežu. Ne sežite preko određene granice. Sezanje preko određene granice može imati za posljedicu gubitak ravnoteže.
- Nikada ne ostavljajte proizvod da radi bez nadzora. Isključite proizvod i ostavite ga tek kada se potpuno zaustavi. Proizvod držite izvan dohvata djece kada je pod naponom.
- Upoznajte se s komandama uređaja. Morate znati kako zaustaviti proizvod i kako brzo ispustiti tlak.
- Budite na oprezu i imajte kontrolu nad alatom. Gledajte to što radite i pri radu s alatom koristite zdrav razum.
- Ne koristite proizvod ako ste umorni ili pod utjecajem droga, alkohola ili lijekova. Trenutak nepažnje pri radu s proizvodom može dovesti do teških osobnih ozljeda.
- Nemojte koristiti proizvod ako ga sklopka pravilno ne uključuje ili isključuje. Proizvod koje se ne može kontrolirati pomoću sklopke je opasan i mora se popraviti.
- Pri čišćenju vozila držite rastojanje od površine minimalno 30 cm. Mlaz pod visokim tlakom može oštetiti ili probiti gume vozila i/ili ventile guma.
- Proizvod se ne smije koristiti ako je pao, ako na njemu ima vidljivih oštećenja ili ako curi.
- Povrede mogu biti uzrokovane ili zadobivene produljenim korištenjem alata. Kada proizvod koristite dulje vremensko razdoblje, svakako se redovito odmarajte.

SIGURNOSNA UPOZORENJA ZA BATERIJU

- Bateriju punite koristeći isključivo punjač koji je specificirao proizvođač. Punjač koji je prikladan za jednu vrstu baterija može

dovesti do opasnosti od požara kada se koristi s drugom baterijom.

- Kada se baterija ne koristi držite je dalje od drugih metalnih predmeta kao što su spajalice za papir, kovanice, ključevi, čavli, vijci ili drugi mali metalni predmeti koji mogu spojiti jedan pol na drugi. Kratki spoj polova baterije može izazvati opekotine ili požar.
 - Nemojte držati bateriju i punjač za bateriju na mokrim i vlažnim mjestima.
 - Proizvod koristite isključivo s baterijama specificiranim u ovom korisničkom priručniku. Korištenje bilo kojih drugih baterija dovodi do opasnosti od ozljeda i požara.
 - Pod uvjetima loma može doći do izbacivanja tekućine iz baterije, izbjegavajte kontakt. Ako dođe do nehotičnog kontakta, isperite to mjesto s vodom. Ako tekućina dospije u oči, dodatno potražite liječničku pomoć. Tekućina koja istječe iz baterije može dovesti do iritacije ili opekotina.
 - Bateriju nemojte odlagati zajedno s kućanskim otpadom. Baterije se moraju prikupiti i obraditi u pogonu za reciklažu. Za savjete o recikliranju i mjestu prikupljanja otpadnih baterija obratite se lokalnim vlastima ili distributeru.
 - Baterija ima problem pregrijavanja. Prekomjerne temperature uzrokuju da baterija prestane napajati alat. Ako je baterijski sklop previše vruć, pustite ga da se ohladi prije nego što nastavite s radom. Ako proizvod još uvijek ne radi, ponovno napunite baterijski sklop.
- NAPOMENA:** LED pokazivač baterijskog sklopa neće raditi ako je značajka zaštite baterijskog sklopa prouzročila prestanak napajanja proizvoda pomoću baterijskog sklopa. Otpustite gumb za uključivanje/isključivanje ili izvadite bateriju iz proizvoda i LED pokazivač stanja baterije će nastaviti s normalnim radom.

DODATNA SIGURNOSNA UPOZORENJA ZA BATERIJU

⚠ UPOZORENJE! Proizvod ne prskajte vodom. Tako možete oštetiti baterijski sklop.

Zbog izbjegavanja opasnosti od požara jednim kratkim spojem, opasnosti od ozljeda ili oštećenja proizvoda, alat, izmjenjivi akumulator ili napravu za punjenje ne uronjavati u tekućine i pobrinite se za to, da u uređaje ili akumulator

ne prodiru nikakve tekućine. Korozirajuće ili vodljive tekućine kao slana voda, određene kemikalije i sredstva za bijeljenje ili proozvodi koji sadrže sredstva bijeljenja, mogu prouzročiti kratak spoj.

PRIJEVOZ I SKLADIŠTENJE

- Zaustavite proizvod, izvadite bateriju i pustite proizvod da se ohladi. Prije skladištenja ili transporta odspojite proizvod s dovoda vode.
- Prije pohrane i skladištenja proizvoda izbacite vodu iz svih crijeva i pumpe, te ispraznite spremnik sa sredstvom za pranje.
- Uredno namotajte crijevo sifona i čuvajte ga zajedno s električnim peraćem.
- Očistite svaki strani materijal s uređaja. Čuvajte na hladnom, suhom i dobro prozračivanom mjestu bez opasnosti od smrzavanja i izvan dohvata djece. Proizvod ne čuvajte pokraj pećnice ili ostalih izvora topline koji bi mogli isušiti brtve pumpe. Držite proizvod podalje od korozivnih sredstva kao što su vrtno kemikalije i soli protiv zaleđivanja. Proizvod ne čuvajte na otvorenom.
- Za prijevoz, osigurajte uređaj protiv pomicanja ili pada kako biste spriječili povrede osoba ili oštećenja na uređaju.

⚠ UPOZORENJE! Proizvod čuvajte samo u zatvorenom prostoru. Pohranjivanje proizvoda na temperaturama nižim od 0° će oštetiti proizvod.

TRANSPORTIRANJE LITIJUMSKIH BATERIJA

Transportirajte bateriju u skladu s lokalnim i nacionalnim pravima i zakonima.

Slijedite sve specijalne zahtjeve na pakiranju i naljepnicama prilikom transporta baterije od treće strane. Osigurajte da baterija ne može doći u kontakt s drugim baterijama ili provodnim materijalima tijekom transporta tako da zaštitite izložene priključke s izolacijom, kapticama koje ne provode energiju ili trakom. Nemojte transportirati baterije koje su polomljene ili cure. Provjerite kod kompanije koji transportirate za daljnju pomoć.

ODRŽAVANJE

Koristite samo originalne zamjenske dijelove, dodatni pribor i priključke od proizvođača. Nepoštivanje ovih uputa može dovesti do

mogućih ozljeda, loše učinkovitosti i može dovesti do poništenja jamstva.

Servisiranje iziskuje krajnju pažnju i znanje i treba da ga vrši samo kvalificirani serviser. Neka se proizvod servisira samo u ovlaštenom servisnom centru. Prilikom servisiranja, koristite samo originalne zamjenske dijelove od proizvođača.

- Zaustavite proizvod, izvadite bateriju i pustite proizvod da se ohladi. Proizvod odspojite s dovoda vode:
 - prije čišćenja proizvoda
 - prije održavanja proizvoda
 - prije zamjene rezervnih dijelova
- Možete samo vršiti podešavanje ili popravke opisane u ovom manualu. Za ostale popravke ili savjete, potražite pomoć ovlaštenog servisnog centra.
- Za siguran i pouzdan rad redovito provjeravajte i održavajte proizvod. Uvjerite se da je odjeljak za baterije pravilno sastavljen, dobro zatvoren i često provjeravajte ima li na njemu oštećenja. Svaki oštećeni dio trebao bi pravilno popraviti ili zamijeniti ovlašteni servisni centar.
- Ako se proizvod koji se pohranjuje neće koristiti dulje vrijeme, potrebno je izvaditi baterije iz proizvoda.

UPOZNAJTE SVOJ PROIZVOD

Pogledajte stranicu 111.

1. Gumb za otpuštanje flaksa
2. Obujmica pomoćne ručke
3. Pomoćna ručka
4. Birač načina upravljanja
5. Spori način rada
6. Srednji način rada
7. Brzi način rada
8. Stezaljka na kantici
9. Sklopka za uklj./isklj.
10. Gumb za blokiranje
11. Ručka
12. Odjeljak baterije koja se koristi
13. Zasun
14. Adapter za bocu od 2 l
15. Ulaz vode
16. Spojnica za brzi priključak
17. Crijevo sifona
18. Čistač površine
19. Filtar
20. Metalni štap
21. Mlaznica 3 u 1
22. Upute za uporabu

- 23. Baterija
- 24. Punjač
- 25. Deterdžent RYOBI

⚠ UPOZORENJE! Mlaznicu 3 u 1 nemojte spajati na proizvod koristeći samo okretni adapter RAC764. Prilikom korištenja okretnog adaptera uvijek koristite priloženi metalni štap ili produžni štap.

SIGURNOSNI UREĐAJI

- Gumb za blokiranje
 - Blokada okidača zaključava okidač i sprječava slučajno otvaranje visokotlačnog mlaza.

SIMBOLI NA PROIZVODU



Upozorenje



Kako bi se smanjila opasnost od ozljeda, prije korištenja ovog proizvoda korisnik mora pročitati i shvatiti ove upute za korištenje.



Nosite zaštitu za oči i odgovarajuću masku za zaštitu dišnih puteva.



Proizvod nije pogodan za spajanje na vodoopskrbne sustave s pitkom vodom bez montaže uređaja za sprečavanje povratnog toka.



Nikada nemojte uperiti cijev prema ljudima, životinjama, tijelu stroja, dovodu električne energije ili električnim uređajima.



Ne izlažite kiši ili vlažnim uvjetima.



Europska oznaka sukladnosti



Britanska oznaka sukladnosti



EurAsian znak konformnosti



Ukrajinska oznaka sukladnosti

Otpadnu električnu i elektroničku opremu nemojte odlagati kao nesortirani komunalni otpad. Otpadna električna i elektronička oprema mora se prikupljati odvojeno. Otpadni izvori svjetla moraju se ukloniti iz opreme. Za savjete o recikliranju i mjestu prikupljanja otpadnih baterija obratite se lokalnim vlastima ili distributeru. U skladu s lokalnim propisima, trgovci u maloprodaji imaju obvezu besplatnog preuzimanja električne i elektroničke opreme. Vaš doprinos ponovnoj upotrebi i recikliranju otpadne električne i elektroničke opreme pomaže u smanjenju potrebe za sirovinama. Otpadna električna i elektronička oprema sadrži vrijedne materijale i one koje je moguće reciklirati, koji mogu negativno utjecati na okoliš i ljudsko zdravlje, ako se ne uklanja na način ekološki sukladan s okolišem. Izbrišite osobne podatke iz otpadne opreme, ako ih ima.



SIMBOLI U OVOM PRIRUČNIKU



Dijelovi ili pribor prodan odvojeno



Napomena



Upozorenje

Brezžični visokotlačni čistilec je zasnovan za zagotavljanje najvišje ravni varnosti, učinkovitosti in zanesljivosti delovanja.

NAMEN UPORABE

Brezžični visokotlačni čistilec je predviden samo za uporabo na prostem.

Izdelek je namenjen za domačo uporabo. Namenjen je čiščenju vrtnega pohištva, oken, avtomobilov in čolnov z odstranitvijo trdovratne umazanije s čisto vodo in čistilnim sredstvom ali brez njega.

Izdelek je treba uporabljati v dobro osvetljenem okolju.

Med uporabo za katerikoli drug namen, na primer pršenje potrošniških čistilnih raztopin in razkužil, uporabljajte namenske komplete dodatkov za visokotlačni čistilec.

Za druge namene ga ne uporabljajte.

⚠ OPOZORILO! Izdelek je zasnovan za uporabo z nevtralnimi čistilnim sredstvom, ki ga dobavi ali priporoči proizvajalec. Uporaba drugih čistilnih sredstev ali kemikalij lahko škodljivo vpliva na varnost izdelka.

SPLOŠNA VARNOSTNA OPOZORILA

⚠ OPOZORILO! Preberite vsa varnostna opozorila in navodila. Zaradi neupoštevanja opozoril in navodil lahko pride do električnega udara, požara in/ali resnih poškodb.

⚠ POZOR! Izdelka se ne sme uporabljati na vodovodu za pitno vodo brez nameščene zapore povratnega toka, ki je v skladu s standardom EN 12729, tipom BA. Voda, ki teče skozi zaporo povratnega toka, ni pitna. Izdelka ne priklopite na javno vodovodno omrežje.

- Izdelek ni namenjen za uporabo s strani otrok ali oseb z zmanjšanimi fizičnimi, čutnimi ali duševnimi sposobnostmi oziroma nezadostnimi izkušnjami in znanjem. Otroke nenehno primerno nadzorujte, da se ne bodo igrali z napravo.
- Med uporabo izdelka nosite osebno zaščitno opremo, kot so zaščitna očala in oprema za zaščito sluha.
- Za zmanjšanje nevarnosti poškodb naj se otroci in obiskovalci ne zadržujejo v bližini. Vsi opazovalci morajo nositi zaščitna očala in ostati na varni razdalji od delovnega območja.

- Prepričajte se, da varnostne naprave dobro delujejo. Pred vsako uporabo se prepričajte, da vse varnostne naprave pravilno delujejo.

- Če so poškodovani pomembni deli, kot so varnostne naprave ali škropilna palica, izdelka ne uporabljajte.

⚠ OPOZORILO! Med uporabo izdelka lahko nastajajo aerosoli. Vdihavanje aerosolov lahko škoduje zdravju. Glede na okolje, v katerem poteka čiščenje, morate morda uporabljati dihalno masko razreda FFP 2 ali enakovredno.

- Med potegovanjem sprožilca ne vrtite šobe. Če šobo zavrtite medtem, ko skozi teče voda, se ta sprosti skozi sprostilni kanal. To ne pomeni, da izdelek pušča, ampak gre za zagotovitev, da voda lahko odteče ne da bi poškodovala orodje.

- Visokotlačni curek je lahko ob napačni uporabi nevaren. Curka ne usmerjajte v osebe, elektroniko pod napetostjo ali sam izdelek.

- Ne čistite oblačil ali obuval tako, da bi curek usmerili vase ali v druge osebe.

- Cevi, pritrdilni elementi in spojke so pomembni za varnost izdelka. Uporabljajte izključno gibke cevi, pritrdila in spojke, ki jih priporoča proizvajalec.

- Predpisi nekaterih regij omejujejo uporabo tega izdelka. Za nasvet se obrnite na lokalne oblasti.

- Pred vsako uporabo preverite, ali je izdelek poškodovan. Poškodovane cevi je treba takoj zamenjati. Poskrbite, da so vsi priključki, kot sta škropilna palica in šoba, dobro pritrjeni. Gibko cev pravilno odvijte, da preprečite pregibanje in nastajanje zank.

- Pred čiščenjem zaprite vrata in okna. Iz območja, ki ga želite očistiti, odstranite grušč, igrače, zunanje pohištvo ali druge predmete, ki bi lahko povzročili nevarnost.

- Izdelka ne uporabljajte pri temperaturah, nižjih od 0 °C.

- V izdelku ne uporabljajte kislin, alkalnih sredstev, topil ali industrijskih raztopin. Ti izdelki lahko povzročijo telesne poškodbe uporabnika in nepopravljive poškodbe izdelka.

⚠ OPOZORILO! Za preprečitev nevarnosti eksplozije ne škropite vnetljivih tekočin.

⚠ OPOZORILO! Visokotlačni curek je lahko ob napačni uporabi nevaren. Curka se ne sme

usmerjati v osebe, živali, električne naprave ali sam izdelek.

- Ročaj trdno držite z obema rokama. Ob potegu sprožilca pričakujte premik ročaja zaradi povratne sile. Če tega ne pričakujete, lahko izgubite nadzor in poškodujete sebe ter druge.
- Bodite previdni, da vam ne spodrsne in ne padete.
- Pazite na ravnotežje in ne pretiravajte. Nesiahajte priliš daleko. Pretiravanje lahko povzroči izgubo ravnotežja.
- Izdelka nikoli ne pustite delovati brez nadzora. Izdelek izklopite in ga zapustite šele, ko se povsem ustavi. Ko je izdelek pod napetostjo, ga hranite izven dosega otrok.
- Seznanite se z upravljanjem. Naučite se, kako ustavite izdelek in hitro sprostite tlak.
- Bodite pozorni in imejte nadzor. Bodite pozorni kaj delate in uporabljajte občutek.
- Ne uporabljajte izdelka, če ste utrujeni, bolni ali pod vplivom drog, alkohola ali zdravil. Trenutek nepazljivosti med uporabo izdelka lahko privede do resnih telesnih poškodb.
- Ne uporabljajte izdelka, če se ga s stikalom ne da vklopiti ali izklopiti. Izdelek, ki ga ni mogoče upravljati s stikalom, je nevaren in ga je potrebno popraviti.
- Med čiščenjem vozil vzdržujte najmanjšo razdaljo 30 cm. Visokotlačni curek lahko poškoduje ali preluknja pnevmatike vozil in/ali ventile pnevmatik.
- Če je izdelek padel, na njem obstajajo vidni znaki poškodb ali pušča, ga ne smete uporabljati.
- Daljša uporaba orodja lahko privede do poškodb ali pa so poškodbe lahko hujše. Če izdelek uporabljate daljši čas, poskrbite za redne premore.

VARNOSTNA OPOZORILA GLEDE AKUMULATORJA

- Akumulator polnite samo s polnilcem, ki ga predpiše proizvajalec. Polnilnik, ki ustreza eni vrsti baterij, morda lahko povzroči požar, če z njim polnite drugo vrsto baterij.
- Ko baterije ne uporabljate, pazite, da bo odmaknjena od kovinskih predmetov, kot so papirne sponke, kovanci, ključi, žblji, vijaki ali drugih majhni kovinski predmeti, ki bi lahko povzročili povezavo med obema terminaloma. Kratek stik zaradi povezanih

terminalov baterije lahko povzroči opekline ali požar.

- Akumulatorja in polnilca ne postavljajte na vlažna mesta.
 - Izdelek uporabljajte izključno z akumulatorji, navedenimi v tem priročniku. Uporaba katerih koli drugih baterij ustvari tveganje za poškodbe in požara.
 - Ob zlorabi baterije lahko iz nje steče tekočina. Če se po nesreči dotaknete tekočine, mesto dotika sperite z vodo. Če pride tekočina v stik z očmi, poiščite zdravstveno pomoč. Tekočina, ki izteče iz baterije, lahko povzroči vnetje ali opekline.
 - Akumulatorskih sklopov ne odlagajte skupaj z gospodinjstvi odpadki. Zbrati jih je treba ločeno in posredovati okolju prijaznemu obratu za recikliranje. Za informacije o recikliranju in mestih zbiranja odpadkov se obrnite na lokalno agencijo ali prodajalca.
 - Baterija ima zaščito proti pregrevanju. Prekomerne temperature bodo povzročile, da bo baterija orodje prenehalo napajati. Če je baterijski vložek prevroč, pred nadaljevanjem dela počakajte, da se ohladi. Če izdelek še vedno ne deluje, napolnite baterijski vložek.
- OPOMBA:** Indikator LED baterijskega vložka ne deluje, če je funkcija za zaščito baterijskega vložka povzročila prenehanje napajanja izdelka iz baterijskega vložka. Sprostite gumb za vklop/izklop ali iz izdelka odstranite akumulator, pri čemer LED-lučka akumulatorja znova sveti kot običajno.

DODATNA VARNOSTNA OPOZORILA ZA BATERIJO

⚠ OPOZORILO! Izdelka ne škropite z vodo. S tem lahko poškodujete baterijski vložek.

V izogib, s kratkim stikom povzročene nevarnosti požara, poškodb ali okvar na proizvodni, orodja, izmenljivega akumulatorja ali polnilne naprave ne potaplajte v tekočine in poskrbite, da ne bo prihajalo do vdora tekočin v naprave in akumulatorje. Korozivne ali prevodne tekočine, kot so slana voda, določene kemikalije in belila ali proizvodi, ki le ta vsebujejo, lahko povzročijo kratek stik.

TRANSPORT IN SHRANJEVANJE

- Ustavite izdelek, odstranite akumulator in počakajte, da se izdelek ohladi. Izdelek

pred shranjevanjem ali prevozom izklopite iz vodovodnega priključka.

- Pred shranjevanjem izdelka odstranite vodo iz vseh cevi in črpalke ter izpraznite rezervoar za čistilno sredstvo.
- Sifonsko cev lepo zvijte in jo shranite skupaj z visokotlačnim čistilnikom.
- Očistite vse tujke z izdelka. Shranite ga na hladno, suho in dobro prezračevano mesto, ki je zavarovano pred zmrzaljo in nedostopno otrokom. Izdelka ne shranjujte blizu peči ali drugih virov toplote, ki bi lahko izsušili tesnila črpalke. Shranjujte proč od korozivnih sredstev, kot so vrtno kemikalije in soli za topljenje ledu. Izdelka ne shranjujte na prostem.
- Za transport zavarujte izdelek pred premiki ali padci, da preprečite poškodbe oseb ali izdelka.

⚠ OPOZORILO! Izdelek shranjujte izključno v zaprtih prostorih. Ob shranjevanju pri temperaturah, nižjih od 0°, se izdelek poškoduje.

PRENAŠANJE LITIJEVIH BATERIJ

Baterije prevažajte v skladu z lokalnimi in državnimi uredbami in predpisi.

Upoštevajte vse posebne zahteve glede pakiranja in označevanja, kadar prevoz opravlja tretja oseba. Zagotovite, da baterije med prevozom ne morejo priti v stik z drugimi baterijami ali prevodnimi materiali tako, da zaščitite izpostavljene konektorje z izolacijo, neprevodnimi pokroveci ali trakom. Ne prevažajte poškodovanih baterij oz. baterij, ki puščajo. Za nadaljnje informacije se obrnite na posredovalno podjetje.

VZDRŽEVANJE

Uporabljajte le originalne rezervne dele in dodatke, ki jih priporoča proizvajalec. V nasprotnem primeru naprava lahko slabo deluje, povzroči poškodbe, garancija pa ne velja več.

Servisiranje zahteva posebno pozornost in znanje in naj jo zato opravlja samo izurjeni servisni tehnik. Izdelek naj servisirajo izključno v pooblaščenem servisnem centru. Pri servisiranju uporabljajte samo originalne nadomestne dele.

- Ustavite izdelek, odstranite akumulator in počakajte, da se izdelek ohladi. Izdelek izklopite iz vodovodnega priključka:
 - pred čiščenjem izdelka
 - pred vzdrževanjem izdelka
 - pred nameščanjem rezervnih delov
- Opravite lahko samo tukaj navedene prilagoditve ali popravila. Za druga popravila ali nasvete se posvetujte s pooblaščenim storitvenim centrom.
- Izdelek redno pregledujte in vzdržujte, da zagotovite varno delovanje. Poskrbite, da je prostor za baterijo pravilno sestavljen in tesno zaprt; redno preverjajte, ali je poškodovan. Vsak poškodovani del mora ustrezno popraviti ali zamenjati pooblaščen servisni center.
- Če nameravate izdelek za dalj časa shraniti, iz njega pred tem odstranite baterije.

SPOZNAJTE SVOJ IZDELEK

Glejte stran 111

1. Gumb za sprostitev vrvice
2. Ovrtnica pomožnega ročaja
3. Pomožen ročaj
4. Stikalo za upravljanje načina
5. Nizki način
6. Srednji način
7. Visoki način
8. Sponka za vedro
9. Sprožilnik za vklop/izklop
10. Blokovanje tlačidlo
11. Ročaj
12. Predal za baterijo v uporabi
13. Zapah
14. Adapter za posodo 2 L
15. Vodni dotok
16. Hitra spojka
17. Sifonska gibka cev
18. Površinski čistilnik
19. Filter
20. Kovinska palica
21. Šoba 3-v-1
22. Priročnik za uporabo
23. Akumulator
24. Polnilec
25. Detergent RYOBI

⚠ OPOZORILO! Šobe 3-v-1 ne priključite na izdelek, ki uporablja samo vrtljivi adapter RAC764. Med uporabo vrtljivega adapterja vedno uporabljajte priloženo kovinsko palico ali podaljševalno palico.

VARNOSTNE NAPRAVE

- Blokovacie tlačidlo
 - Zaklep sprožilca zaklene sprožilec in prepreči nenamerno odpiranje visokotlačnega curka.

SIMBOLI NA IZDELKU



Opozorilo



Za zmanjšanje nevarnosti poškodb si preberite in osvojite vsebino navodil, preden izdelek uporabite.



Nosite zaščito oči in ustrezno dihalno masko.



Izdelek ni primeren za priključitev na vodovod za pitno vodo brez naprave za preprečevanje povratnega toka.



Škropilne palice nikoli ne usmerjajte v osebe, živali, stroje, napajalne naprave ali električne naprave.



Ne izpostavljajte ga dežju ali vlagi.



Evropski znak skladnosti



Britanski znak skladnosti



EurAsian oznaka o skladnosti



001

Ukrajinski znak skladnosti

Odpadne električne in elektronske opreme ne odlagajte med nesortirane gospodinjske odpadke. Odpadno električno in elektronsko opremo je treba zbirati ločeno. Odpadne svetlobne vire je treba odstraniti iz opreme. Za informacije o recikliranju in mestih zbiranja odpadkov se obrnite na lokalno agencijo ali prodajalca. Skladno z lokalnimi predpisi morajo trgovci na drobno odpadno električno in elektronsko opremo morda brezplačno prevzeti. Vaš prispevek k ponovni uporabi in recikliranju odpadne električne in elektronske opreme pomaga zmanjšati zahteve po surovinah. Odpadna električna in elektronska oprema vsebuje dragocene materiale in materiale, ki jih je mogoče reciklirati, in lahko v primeru, da se ne odložijo na način, skladen z okoljem, negativno vplivajo na okolje in zdravje ljudi. Če so v odpadni opremi shranjeni osebni podatki, jih izbršite.



SIMBOLI V TEM PRIROČNIKU



Deli ali dodatki so na prodaj ločeno



Opomba



Opozorilo

Pri návrhu akumulátorového vysokotlakového čističa boli prvoradá bezpečnosť, výkon a spoľahlivosť.

ÚČEL POUŽITIA

Akumulátorový vysokotlakový čistič je určený len na použitie vonku.

Tento produkt je určený na domáce použitie. Je určená na čistenie záhradného nábytku, okien, automobilov, člnov odstraňovaním odolných nečistôt pomocou čistej vody s čistiacim prostriedkom alebo bez neho.

Tento výrobok sa musí používať na dobre osvetlených miestach.

Používajte určené súpravy príslušenstva pre elektrickú umývačku, keď ju používate na akékoľvek iné účely, napríklad na striekanie spotrebiteľských roztokov na čistenie a dezinfekčných prípravkov.

Nepoužívajte na žiadne iné účely.

⚠ VAROVANIE! Tento výrobok je určený na použitie s neutrálnym čistiacim prostriedkom, dodaným alebo odporučeným výrobcom. Použitie iných čistiacich prostriedkov alebo chemikálií môže mať nepriaznivý vplyv na bezpečnosť výrobku.

VŠEOBECNÉ BEZPEČNOSTNÉ VÝSTRAHY

⚠ VAROVANIE! Prečítajte si všetky bezpečnostné výstrahy a pokyny. Pri nedodržaní týchto výstrah a pokynov môže dôjsť k úrazu elektrickým prúdom, požiaru a/alebo závažnému poraneniu.

⚠ VÝSTRAHA! Tento výrobok nesmie byť pripojený k prívodu pitnej vody bez nainštalovaného spätného ventilu, ktorý zodpovedá norme EN 12729 typ BA. Voda, ktorá pretečie spätným ventilom, sa už viac nepovažuje za pitnú vodu. Výrobok nepripájajte k verejnej vodovodnej sieti.

- Výrobok nie je určený na to, aby ho používali deti alebo osoby so zníženými fyzickými, zmyslovými alebo duševnými schopnosťami alebo s chýbajúcimi skúsenosťami a vedomosťami. Deti musia byť pod primeraným dozorom, aby sa nemohli s produktom hrať.
- Pri používaní výrobku noste osobné ochranné prostriedky, ako sú bezpečnostné okuliare a ochrana sluchu.

- Aby ste znížili riziko úrazu, udržiavajte deti a prizerajúce sa osoby v bezpečnej vzdialenosti. Všetky okolostojace osoby musia používať bezpečnostné okuliare a musia byť v bezpečnej vzdialenosti od pracoviska.

- Skontrolujte, že všetky bezpečnostné zariadenia sú v dobrom prevádzkovom stave. Pred každým použitím sa uistite, že všetky bezpečnostné zariadenia pracujú správne.

- Nepoužívajte tento výrobok, ak sú poškodené jeho dôležité časti, ako sú bezpečnostné zariadenia alebo postrekovacia tyčka.

⚠ VAROVANIE! Počas používania výrobku sa môžu tvoriť aerosóly. Vdychovanie aerosólov môže byť nebezpečné pre zdravie. Možno bude potrebné použiť respiračnú masku triedy FFP 2 alebo jej ekvivalent, v závislosti od prostredia, kde sa vykonáva čistenie.

- Pri ťahaní spúšťača neatáčajte dýzu. Ak po otočení dýzy vyteká voda, uvoľňovací kanál uvoľní vodu. Nejde o unikanie, no o umožnenie vypustenia vody bez poškodenia náradia.

- Vysokotlakový prúd je nebezpečný pri nesprávnom používaní. Prúd vody nesmerujte na osoby, elektroniku pod napätím alebo na samotné zariadenie.

- Prúd nesmerujte na seba ani na iné osoby, aby ste očistili odev alebo obuv.

- Hadice, armatúry a spojky majú veľký význam z hľadiska bezpečnosti výrobku. Používajte výhradne vysokotlakové hadice, armatúry a spojky odporúčané výrobcom.

- Niektoré regióny majú nariadenia, ktoré obmedzujú použitie produktu. Poradte sa s miestnym úradom.

- Pred každým použitím skontrolujte výrobok, či nie je poškodený. Poškodené hadice treba okamžite vymeniť. Skontrolujte, že všetky pripojenia, ako je postrekovacia tyčka a dýza, sú zaistené. Odmotávajte hadicu správne, aby nedochádzalo k jej skrúteniu alebo zalomeniu.

- Pred spustením akéhokoľvek čistenia zatvorte dvere a okná. Odstráňte z miesta, ktoré sa chytáte vyčistiť úlomky, hračky, záhradný nábytok alebo iné predmety, ktoré by mohli predstavovať nebezpečenstvo.

- Nepoužívajte výrobok pri teplotách nižších ako 0 °C.
- Nepoužívajte v tomto výrobku kyseliny, zásady ani priemyselné roztoky. Tieto látky môžu spôsobiť telesné zranenie obsluhy a nezvratné škody na zariadení.

⚠ VAROVANIE! Aby ste zabránili nebezpečenstvu výbuchu, nikdy nerozstrekujte horľavé kvapaliny.

⚠ VAROVANIE! Vysokotlakový prúd vody môže byť pri nebezpečný, ak sa používa nesprávne. Prúd vody nesmie byť nasmerovaný na osoby, zvieratá, elektrické zariadenia a na výrobok samotný.

- Držte rukoväť pevne obidvomi rukami. Očakávajte spätný pohyb rukoväti pri stlačení spúšťača, ako dôsledok reakčných síl. Neočakávaný spätný pohyb môže spôsobiť stratu kontroly a zranenie vás alebo iných osôb.
- Dávajte pozor, aby ste sa nepošmykli alebo nespadli.
- Udržujte bezpečný postoj a rovnováhu. Nepreceňujte sa. Preceňovanie sa môže spôsobiť stratu rovnováhy.
- Spustený výrobok nikdy nenechávajte bežať bez dozoru. Výrobok vypnite a zanechajte ho až po jeho úplnom zastavení. Výrobok pripojený k zdroju napájania uchovávajte mimo dosahu detí.
- Zoznámte sa s ovládacími prvkami. Naučte sa, ako zastaviť výrobok a rýchlo vypustiť tlak.
- Buďte ostražití a vykonávajte kontrolu. Sledujte, čo robíte a používajte zdravý rozum.
- Výrobok nepoužívajte, ak ste unavení, chorí alebo pod vplyvom drog, alkoholu či liekov. Chvíľa nepozornosti počas obsluhy produktu môže spôsobiť závažné osobné poranenie.
- Nepoužívajte zariadenie, ak ho spínač nezapína a nevypína. Produkt, ktorý sa nedá ovládať spínačom, je nebezpečný a musí sa dať opraviť.
- Pri čistení vozidla dodržiavajte minimálnu vzdialenosť 30 cm. Vysokotlakový prúd vody môže poškodiť alebo spôsobiť popraskanie pneumatík vozidla alebo poškodiť ventily na pneumatikách.
- Tento výrobok sa nesmie používať, ak spadol, vykazuje viditeľné známky poškodenia alebo ak z neho uniká voda.
- Pri dlhodobom alebo zvýšenom používaní môže dôjsť k zraneniam. Keď používate výrobok dlhší čas, robte si pravidelné prestávky.

BEZPEČNOSTNÉ VÝSTRAHY PRE SÚPRAVU BATÉRIÍ

- Súpravu batérií nabíjajte len nabíjačkou, ktorú uvádza výrobca. Nabíjačka, ktorá je vhodná pre jeden typ jednotky akumulátora, môže pri použití s inou jednotkou akumulátora spôsobiť riziko požiaru.
 - Keď sa jednotka akumulátora nepoužíva, nedávajte ju do blízkosti iných kovových objektov, ako sú papierové sponky, mince, kľúče, klince, skrutky či iné malé kovové predmety, ktoré by mohli skratovať svorky. Pri skratovaní svoriek akumulátora môže dôjsť k popáleninám alebo požiaru.
 - Uchovávajte súpravu batérií a nabíjačku mimo vlhkého prostredia.
 - Používajte tento výrobok iba so súpravami batérií, ktoré sú uvedené v tomto návode. Pri použití iných jednotiek akumulátora vzniká riziko poranenia a požiaru.
 - Za nevhodných podmienok, keď by z batérie vytekala kvapalina, predchádzajte kontaktu s ňou. Pri náhodnom kontakte opláchnite vodou. Ak tekutina zasiahne oči, dodatočne vyhľadajte lekársku pomoc. Tekutina vytečená z akumulátora môže spôsobiť podráždenie alebo popáleniny.
 - Súpravy batérií nezneškodňujte spolu s domovým odpadom. Je potrebné využiť služby separovaného zberu a vrátiť ich do zariadenia, ktoré vykonáva ekologické recyklovanie. Informácie o zbernom mieste získate od miestneho orgánu verejnej správy alebo vám ich poskytnie maloobchodný predajca.
 - Jednotka akumulátora má ochranu pred prehriatím. Nadmerné teploty spôsobia, že akumulátor prestane napájať nástroj. Ak je súprava batérií príliš horúca, nechajte ju vychladnúť pred opätovným uvedením do prevádzky. Ak výrobok nebude naďalej fungovať, treba nabiť súpravu batérií.
- POZNÁMKA:** LED indikátor súpravy batérií nebude fungovať, ak funkcia ochrany súpravy batérií spôsobila zastavenie napájania výrobku. Vypnite tlačidlo on-off (zapnúť-vypnúť) alebo vyberte súpravu batérií z výrobku a LED indikátor stavu súpravy batérií obnoví normálnu funkciu.

DOPLNKOVÉ BEZPEČNOSTNÉ VÝSTRAHY PRE BATÉRIU

⚠ VAROVANIE! Na výrobok nestríekajte vodu. Môže sa poškodiť akumulátor.

Aby ste zabránili nebezpečenstvu požiaru spôsobeného skratom, poraneniam alebo poškodeniam výrobku, neponárajte náradie, výmennú batériu alebo nabíjačku do kvapalín a postarajte sa o to, aby do zariadení a akumulátorov nevnikli žiadne tekutiny. Korodujúce alebo vodivé kvapaliny, ako je slaná voda, určité chemikálie a bieliace prostriedky alebo výrobky, ktoré obsahujú bielidlo, môžu spôsobiť skrat.

PREPRAVA A SKLADOVANIE

- Zastavte výrobok, vyberte súpravu batérií a nechajte výrobok vychladnúť. Pred uskladnením alebo prepravou odpojte výrobok od prívodu vody.
- Odstráňte vodu zo všetkých hadíc a čerpadla a vyprázdňte nádržku na čistiaci prostriedok pred uskladnením výrobku.
- Úhľadne zviňte násoskovú hadicu a uskladnite ju s elektrickou umývačkou.
- Odstráňte zo zariadenia všetky cudzie materiály. Uskladnite ho na suchom, dobre vetranom, mieste chránenom pred mrazom, do ktorého nemajú prístup deti. Výrobok neskladujte blízko pece ani iných zdrojov tepla, ktoré by mohli vysušiť tesnenia čerpadla. Nedávajte zariadenie do blízkosti korozívnych činidiel, ako sú záhradné chemikálie a rozmrazovacie soli. Výrobok neuchovávajte vonku.
- Pri preprave zaistíte produkt pred pohybom alebo pádom, aby nedošlo k poraneniu osôb alebo poškodeniu produktu.

⚠ VAROVANIE! Výrobok skladujte len vnútri. Skladovaním pri teplote pod 0° sa výrobok poškodí.

PREPRAVA LÍTIOVÝCH AKUMULÁTOROV

Akumulátory prepravujte v súlade s miestnymi smernicami a nariadeniami.

Keď akumulátory prepravuje tretia strana, dodržiavajte všetky požiadavky na balení a označení. Zabezpečte, aby počas prepravy akumulátory neprišli do kontaktu s inými akumulátormi ani vodivými materiálmi – chráňte obnažené konektory pomocou izolácie, nevodivými viečkami alebo páskou. Neprepravujte akumulátory, ktoré sú prasknuté alebo vytekajú. Ďalšie pokyny zistíte u nasledujúcej spoločnosti.

ÚDRŽBA

Používajte len originálne náhradné diely, príslušenstvo a nástavce výrobcu. V opačnom prípade môže dôjsť k možnému poraneniu, nedostatočnému výkonu a strate platnosti záruky.

Údržba vyžaduje extrémnu starostlivosť a znalosti, a musí byť prevádzaná výhradne v autorizovanom servise. Servis výrobku zverte len autorizovanému servisnému stredisku. Pri servise používajte len originálne náhradné diely výrobcu.

- Zastavte výrobok, vyberte súpravu batérií a nechajte výrobok vychladnúť. Odpojte výrobok od prívodu vody:
 - pred čistením výrobku
 - pred údržbou výrobku
 - pred výmenou náhradných dielov
- Môžete vykonávať len úpravy alebo opravy popísané v tejto príručke. Pri ostatných opravách alebo ak potrebujete radu, vyhľadajte pomoc v autorizovanom servisnom centre.
- Pravidelne kontrolujte a vykonávajte údržbu výrobku pre jeho bezpečnú prevádzku. Priestor na akumulátor správne zmontujte, dôkladne uzavrite a pravidelne kontrolujte, či nie je poškodený. Akýkoľvek poškodený diel sa musí náležite opraviť alebo vymeniť v autorizovanom servisnom centre.
- Ak budete výrobok dlhodobo bez používania skladovať, je nutné z neho vybrať akumulátor.

OBOZNÁMTE SA S VAŠÍM PRODUKTOM

Pozrite stranu 111.

1. Tlačidlo uvoľnenia lanka
2. Objímka pomocnej rúčky
3. Pomocná rúčka
4. Volič na ovládanie režimu
5. Režim Nízke otáčky
6. Stredný režim
7. Režim Vysoké otáčky
8. Príchytky na nádoby
9. Hlavný spínač
10. Blokovacie tlačidlo
11. Rúčka
12. Priečinok na používaný akumulátor
13. Západka
14. Adaptér na 2-litrovú fľašu
15. Prívod vody
16. Spojka na rýchle pripojenie

17. Násosková hadica
18. Čistič povrchov
19. Filter
20. Kovová tyčka
21. Dýza 3-v-1
22. Návod na obsluhu
23. Batéria
24. Nabíjačka
25. Detergent RYOBI

⚠ VAROVANIE! Dýza 3-v-1 nepripájajte k výrobku len pomocou otočného adaptéra RAC764. Pri používaní otočného adaptéra vždy používajte priloženú kovovú tyčku alebo predlžovaciu tyčku.

BEZPEČNOSTNÉ ZARIADENIA

- Blokovacie tlačidlo
 - Poistka vypínača zaistuje vypínač a zabraňuje náhodnému otvoreniu vysokotlakového prúdu vody.

SYMBOLY NA PRODUKTE



Varovanie



Na zníženie nebezpečenstva poranenia si musí užívateľ pred použitím tohto produktu prečítať a pochopiť návod na obsluhu.



Noste ochranu očí a vhodnú respiračnú masku.



Výrobok nie je vhodný na pripojenie k prívodu pitnej vody bez zariadenia na zabránenie spätného toku.



Nikdy nesmerujte striekacou tyčou na osoby, zvieratá, karosériu stroja, zdroj elektrickej energie ani žiadne elektrické spotrebiče.



Nevystavujte dažďu ani nepoužívajte vo vlhkom prostredí.



Európske označenie zhody



Britské označenie zhody



Euroázijská značka zhody



001

Ukrajinské označenie zhody

Odpadové elektrické a elektronické zariadenia nelikvidujte ako netriedený komunálny odpad. Odpadové elektrické a elektronické zariadenia sa musia zbierať separovane. Odpadové svetelné zdroje treba z výrobku vybrať. Informácie o zbernom mieste získate od miestneho orgánu verejnej správy alebo vám ich poskytne maloobchodný predajca. Podľa miestnych predpisov môžu mať maloobchodníci povinnosť bezplatne prevziať odpadové elektrické a elektronické zariadenia. Váš príspevok k opätovnému použitiu a recyklácii odpadových elektrických a elektronických zariadení pomáha znižovať dopyt po surovinách. Odpadové elektrické a elektronické zariadenia obsahujú cenné a recyklovateľné materiály, ktoré môžu mať nepriaznivý vplyv na životné prostredie a ľudské zdravie, ak sa nelikvidujú ekologicky vhodným spôsobom. Odstráňte prípadné osobné údaje z odpadového zariadenia.



SYMBOLY V TOMTO NÁVODE



Diely alebo príslušenstvo predávané samostatne



Poznámka



Varovanie

Безопасността, работните характеристики и надеждността имат най-висок приоритет при проектирането на безжичната електрическа водоструйка.

ПРЕДНАЗНАЧЕНИЕ

Безжичната електрическа водоструйка е предназначена за употреба само на открито.

Този продукт е предназначен за домашна или битова употреба. Тя е предназначена за почистване на вътрешни дворове, прозорци, автомобили, лодки чрез отстраняване на упоритите замърсявания с помощта на чиста вода с или без почистващ препарат.

Продуктът трябва да се използва на добре осветени места.

Използвайте определените комплекти принадлежности за електрическата водоструйка, когато я използвате за всякакви други цели, като например пръскане на потребителски разтвори са почистване и дезинфектанти.

Не го използвайте за никакви други цели.

⚠ ПРЕДУПРЕЖДЕНИЕ! Продуктът е предназначен за употреба с доставения в комплекта почистващ препарат или с друг, който също е препоръчан от производител. Използването на други почистващи препарати или химикали може да повлияе неблагоприятно на безопасността на продукта.

ОБЩИ ПРЕДУПРЕЖДЕНИЯ ЗА БЕЗОПАСНОСТ

⚠ ПРЕДУПРЕЖДЕНИЕ! Прочетете всички предупреждения относно безопасността и всички инструкции. Неспазването на предупрежденията и инструкциите може да доведе до токов удар, пожар и/или сериозни наранявания.

⚠ ВНИМАНИЕ! Продуктът не трябва да се използва върху източник на питейна вода, без да има монтиран възвратен клапан, който отговаря на EN 12729 Тип VA. Водата, преминаваща през възвратния клапан, не е годна за пиене. Не свързвайте продукта към обществената мрежа с питейна вода.

■ Продуктът не е предназначен за използване от деца или лица с намалени физически, сетивни или умствени способности или от лица, които нямат

необходимите опит и познания. Децата трябва да бъдат внимателно надзиравани, за да се гарантира, че не си играят с продукта.

- Когато работите с продукта, носете лични предпазни средства, като напр. предпазни очила и антифони.
- За да намалите риска от наранявания, дръжте децата и посетителите надалеч. Всички странични наблюдатели трябва да носят предпазни очила да бъдат държани на безопасно разстояние от работната зона.
- Уверете се, че обезопасителните устройства са в добро работно състояние. Преди всяка употреба се уверете, че всички защитни устройства работят правилно.
- Не използвайте продукта, ако има повредени важни части, напр. защитните устройства или накрайника за пръскане.

⚠ ПРЕДУПРЕЖДЕНИЕ! При употреба на продукта може да се образуват аерозоли. Вдишването на аерозоли може да бъде опасно за здравето. Може да е необходима защитна маска от клас FFP 2 или еквивалентна, в зависимост от средата за почистване.

- Не въртете дюзата, докато дърпате спусъка. Ако тече вода, докато дюзата е обърната, тя се изпуска в предпазния канал. Това не е теч, но дава възможност за източване на водата, без уредът да бъде повреден.
- Струята под високо налягане е опасна, ако се не използва правилно. Не насочвайте струята към хора, електроника под напрежение или към самия продукт.
- Не насочвайте струята срещу себе си или други хора, за да чистите дрехи или обувки.
- Маркучите, фитингите и куплунгите са важни за безопасността на продукта. Използвайте само маркучи, фитинги и куплунги, препоръчани от производителя.
- В някои региони действат наредби, които ограничават употребата на продукта. За съвети се обръщайте към местните власти.
- Проверявайте за повреди преди всяка употреба. Повредените маркучи трябва

да бъдат подменени незабавно. Уверете се, че всички свързки, като например на крайника за пръскане или дюзата, са добре закрепени. Внимателно махайте маркуча, така че да не се усуче или прекъсне.

- Преди да започнете работа по почистване, затворете вратите и прозорците. В зоната за почистване не трябва да има отпадъци, играчки, външни мебели или други предмети, които могат да причинят някаква опасност.
- Не използвайте продукта при температура под 0°C.
- Не използвайте киселини, основи, разтвори или промишлени разтвори в продукта. Те могат да причинят физически наранявания на оператора и необратима повреда на продукта.

⚠ ПРЕДУПРЕЖДЕНИЕ! За да избегнете риск от взрив, не пръскайте запалими течности.

⚠ ПРЕДУПРЕЖДЕНИЕ! Струята под високо налягане може да бъде опасна, ако не се използва правилно. Струята не трябва да бъде насочвана към хора, животни, електрически уреди или към самия продукт.

- Дръжте здраво ръкохватката с двете ръце. Очаквайте ръкохватката да се движи, когато спусъкът е изтеглен поради силите на реакция. Ако не сте готови за това, може да загубите контрол и да нараните себе си и други хора.
- Внимавайте да не се подхлъзнете или да не паднете.
- Заемайте стабилна позиция и пазете баланс. Не се протягайте, за да работите на трудно достижими места. Протягането може да доведе до загуба на равновесие.
- Никога не оставяйте изделието да работи без надзор. Изключете продукта и го оставете само когато спре напълно. Дръжте продукта на място, недостъпно за деца, когато е под напрежение.
- Запознайте се с устройствата за управление. Научете как да спирате продукта и бързо да освободите налягането.
- Бъдете нащрек и упражнявайте контрол през цялото време. Внимавайте какво правите и проявявайте благоразумие.

■ Не използвайте продукта, ако сте уморени, болни или под влиянието на алкохол, наркотици или лекарства. Миг невнимание по време на работа с продукта може да предизвика сериозни физически наранявания.

■ Не използвайте продукта, ако превключвателят не включва или изключва продукта. Продукт, който не може да бъде контролиран посредством превключвател, е опасен и трябва да бъде ремонтиран.

■ Когато почиствате автомобили, го правете най-малко от 30 см. Струята под високо налягане може да повреди или разруши гумите и/или вентилите.

■ Продуктът не трябва да се използва, ако бъде изпуснат, ако има видими признаци на повреда или ако тече.

■ Продължителното използване на инструмента може да доведе до наранявания или влошаване. Когато използвате продукта продължително време, уверявайте се, че правите редовни почивки.

ПРЕДУПРЕЖДЕНИЯ ЗА БЕЗОПАСНОСТ ЗА АКУМУЛАТОРНАТА БАТЕРИЯ

■ Зареждайте акумулаторния блок само със зарядното устройство, определено от производителя. Зарядно устройство, подходящо за зареждане на един вид батерии, може да предизвика риск от пожар, ако бъде използвано за други батерии.

■ Когато батерията не се използва, съхранявайте я далеч от други метални обекти, като например кламери, монети, ключове, гвоздеи, гайки или други малки метални обекти, които могат да направят връзка между клемите. Късото съединение от клемите може да доведе до изгаряния или пожар.

■ Дръжте акумулаторната батерия и зарядното устройство далече от мокри и влажни места.

■ Използвайте продукта само с акумулаторните батерии, посочени в настоящото ръководство. Използването

на всякакви други батерии може да създаде риск от нараняване и пожар.

- При неправилно използване батерията може да отдели течност; избягвайте контакт. Ако случайно настъпи контакт, промийте с вода. Ако течността влезе в контакт с очите, потърсете допълнително медицинска помощ. Отделената от батерията течност може да причини възпаление или изгаряния.
- Не изхвърляйте акумулаторни батерии заедно с битовите отпадъци. Те трябва да се събират отделно и да се предадат в център за екосъобразно рециклиране. Обърнете се към местните власти или към продавача за съвет относно рециклирането и местата за събиране.
- Акумулаторната батерия има защита против прегряване. Извънредно високите температури ще доведат до спиране на захранването на инструмента от батерията. Ако акумулаторната батерия е прекалено гореща, оставете я да изстине преди възобновяване на работата. Ако продуктът все още не работи, заредете отново акумулаторната батерия.

ЗАБЕЛЕЖКА: Светодиодният индикатор на акумулаторната батерия няма да работи, ако функцията за защита на батерията е довела до нейното спиране, за да прекрати захранването на продукта. Освободете бутона включено-изключено или свалете акумулатора от машината и светодиодният индикатор на акумулатора ще възобнови нормалното си функциониране.

ДОПЪЛНИТЕЛНИ ПРЕДУПРЕЖДЕНИЯ ЗА БЕЗОПАСНОСТ ЗА БАТЕРИЯТА

⚠ ПРЕДУПРЕЖДЕНИЕ! Не пръскайте продукта с вода. Това може да повреди акумулаторната батерия.

За да избегнете опасността от пожар, предизвикана от късо съединение, както и нараняванията и повредите на продукта, не потапяйте инструмента, сменяемата акумулаторна батерия или зарядното устройство в течности и се

погрижете в уредите и акумулаторните батерии да не попадат течности. Течностите, предизвикващи корозия или провеждащи електричество, като солена вода, определени химикали, избелващи вещества или продукти, съдържащи избелващи вещества, могат да предизвикат късо съединение.

ТРАНСПОРТИРАНЕ И СЪХРАНЕНИЕ

- Спрете уреда, извадете акумулаторната батерия и го оставете да се охлади. Изключете продукта от линията за подаване на вода, преди да го приберете или транспортирате.
- Източете водата от всички маркучи и от помпата и изпразнете резервоара за препарат, преди да приберете продукта.
- Внимателно навийте маркуча на сифона и го приберете за съхранение заедно с електрическата водоструйка.
- Почистете продукта от всички чужди частици. Съхранявайте на хладно, защитено от замръзване, сухо и добре проветрено място, което е недостъпно за деца. Не съхранявайте продукта в близост до пещ или други източници на топлина, които биха могли да изсушат уплътненията на помпата. Дръжте продукта далече от разяждащи вещества, като например градински химикали и размразяващи соли. Не съхранявайте продукта на открито.
- Когато транспортирате продукта, го обезопасете така, че да не може да се движи или да падне, защото това може да доведе до евентуални наранявания на хора или повреди по продукта.

⚠ ПРЕДУПРЕЖДЕНИЕ! Съхранявайте продукта само на закрито. Съхраняването на място с температура под 0° ще повреди изделието.

ТРАНСПОРТИРАНЕ НА ЛИТИЕВИ БАТЕРИИ

Транспортирайте батериите в съответствие с местните и национални постановления и разпоредби.

Спазвайте всички специални изисквания за пакетиране и етикетирание, когато транспортирате батерии чрез трето лице. Уверете се, че батериите не влизат в контакт с други батерии или проводими материали по време на транспортиране, като предпазите откритите конектори с изолация, непроводими капачета или лента. Не транспортирайте батерии, които са спукани или текат. Свържете се със следната компания за допълнителен съвет.

ПОДДРЪЖКА

Използвайте само оригинални резервни части, аксесоари и приставки от производителя. В противен случай може да се влоши работата на инструмента или да получите тежки контузии, а гаранцията ви ще стане невалидна.

Сервизното обслужване изисква изключително внимание и специфични познания и следва да бъде извършвано само от квалифициран техник. Продуктът трябва да бъде ремонтиран само в упълномощен сервиз. При извършване на сервизни дейности използвайте само оригинални резервни части от производителя.

- Спрете уреда, извадете акумулаторната батерия и го оставете да се охлади. Изключете продукта от линията за подаване на вода, преди да:
 - преди почистване на продукта
 - преди извършване на поддръжка на продукта
 - преди смяна на резервни части
- Можете да правите само такива настройки и поправки, които са описани в настоящото ръководство. За други поправки или съвети потърсете съдействие от оторизиран сервизен център.
- За да гарантирате безопасното функциониране на продукта, го проверявайте и поддържайте редовно. Уверете се, че отделението за батерията е правилно сглобено, плътно затворено и често проверявайте за повреди. Всяка повредена част трябва

да бъде поправена или заменена от упълномощен сервизен център.

- Ако izdeliето трябва да се съхранява за продължителен период, акумулаторите трябва да се свалят.

ОПОЗНАЙТЕ ВАШИЯ ПРОДУКТ

Вж. страница 111.

1. Бутон за освобождаване на влакно
2. Пръстен на помощната ръкохватка
3. Помощна ръкохватка
4. Селектор за контролиране на режима
5. Нисък режим
6. Среден режим
7. Висок режим
8. Скоба за кофа
9. Спусък за включване/изключване
10. Заклучващ бутон
11. Ръкохватка
12. Отделение за батерията в работен режим
13. Ключалка
14. Адаптер за бутилка 2 L
15. Входящ отвор за вода
16. Съединител за бързо прикачване
17. Маркуч за сифон
18. Почистващ диск
19. Филтър
20. Метален преходник
21. Дюза 3-в-1
22. Ръководство за оператора
23. Батерия
24. Зарядно устройство
25. Почистващ препарат RYOBI

⚠ ПРЕДУПРЕЖДЕНИЕ! Не свързвайте дюзата 3-в-1 към продукта само чрез въртящия се адаптер RAC764. Винаги използвайте включения метален преходник или удължителен преходник, когато използвате въртящия се адаптер.

УСТРОЙСТВА ЗА БЕЗОПАСНОСТ

- Заклучващ бутон
 - Предпазителят на спусъка заключва спусъка и предотвратява неволно отваряне на струята под високо налягане.

СИМВОЛИ НА ПРОДУКТА



Предупреждение

За да се намали опасността от наранявания, потребителят трябва да прочете и да разбере ръководството за оператора, преди да използва този продукт.



Носете защитни очила и подходяща маска за дихателна защита.



Изделието не е подходящо за свързване към мрежата с питейна вода без предпазно устройство за обратен поток.



Никога не насочвайте пръскалката към хора, животни, тялото на машината, електрозахранването или други електрически уреди.



Не излагайте на дъжд и на влажни условия.



Знак за съответствие с европейските изисквания



Знак за съответствие с изискванията на Обединеното кралство



EurAsian знак за съответствие



Знак за съответствие с изискванията на Украйна

Не изхвърляйте отпадъците от електрическо и електронно оборудване като несортирани битови отпадъци. Отпадъците от електрически и електронно оборудване трябва да се събират отделно. Отпадъците от светлинни източници трябва да бъдат премахнати от оборудването. Обърнете се към местните власти или към продавача за съвет относно рециклирането и местата за събиране. Съгласно местните разпоредби търговците на дребно може да бъдат задължени да приемат отпадъци от електрическо и електронно оборудване. Вашият принос за повторната употреба и рециклирането на отпадъци от електрическо и електронно оборудване помага за намаляване на търсенето на суровини. Отпадъците от електрическо и електронно оборудване съдържат ценни, подходящи за рециклиране материали, които може да имат неблагоприятно въздействие върху околната среда и човешкото здраве, ако не бъдат изхвърлени по екологичен начин. Ако на отпадъчното оборудване има лични данни, изтрийте ги.



СИМВОЛИ В НАСТОЯЩОТО РЪКОВОДСТВО



Частите или принадлежностите се продават отделно



Забележка



Предупреждение

Головними міркуваннями при розробці цієї бездротової мийки високого тиску були безпека, ефективність та надійність.

ПЕРЕДБАЧУВАНОМУ ВИКОРИСТАННІ

Бездротова мийка високого тиску призначена тільки для використання на свіжому повітрі.

Продукт призначений для домашнього або місцевого використання. Вона застосовується для миття садових меблів, вікон, автомобілів, човнів і видаляє навіть стійкий бруд за допомогою води під тиском як з додаванням миючого засобу, так і без нього.

Використовувати виріб слід у добре освітлених місцях.

Для розпилення з іншими цілями, наприклад, для розпилення побутових або садових засобів чищення або дезінфектантів, користуйтеся комплектом аксесуарів для мийки.

Не використовуйте для будь-яких інших цілей.

⚠ Попередження! Пристрій призначений для використання із нейтральними миючими засобами, які постачаються або рекомендуються виробником. Використання інших миючих засобів або хімікатів може негативно вплинути на безпеку пристрою.

ЗАГАЛЬНІ ЗАХОДИ БЕЗПЕКИ

⚠ Попередження! Прочитайте всі правила безпеки та інструкції. Недотримання попереджень та інструкцій може призвести до ураження електричним струмом, пожежі та / або серйозної травми.

⚠ УВАГА! Заборонено підключати пристрій до системи постачання питної води без встановленого зворотного клапану який відповідає вимогам EN 12729 типу VA. Вода, що тече через зворотний клапан не є придатною для пиття. Забороняється під'єднувати пристрій до водопроводу питної води спільного користування.

■ Пристрій не призначений для використання дітьми, особами з обмеженими фізичними, сенсорними або інтелектуальними здібностями та особам, яким бракує досвіду та знань. Потрібно належним чином стежити за дітьми, щоб вони не грали з машиною.

■ При використанні пристрою надягайте засоби індивідуального захисту, зокрема захисні окуляри та засоби захисту органів слуху.

■ Тримайте пристрій подалі від дітей та сторонніх осіб, щоб знизити ризик травмування. Всі спостерігачі повинні надягати захисні окуляри та знаходитись на безпечній відстані від робочої зони.

■ Переконайтеся, що всі захисні механізми знаходяться у гарному робочому стані. Перед кожним використанням, переконайтеся, що захисне приладдя працює належним чином.

■ Заборонено використання пристрою в разі пошкодження важливих компонентів, зокрема захисного приладдя або розпилювача.

⚠ Попередження! При використанні виробу можуть утворюватися аерозолі. Вдихання аерозолів може бути небезпечним для здоров'я. Залежно від зони очищення може знадобитися респіраторна маска класу FFP 2 або еквівалент.

■ Не повертайте сопло при натисканні пускового гачка. Якщо вода тече при повернутому соплі, перепускний клапан відкриється для скиду води. Це не протікання, а запобіжний захід для випуску води без пошкодження пристрою.

■ Струмінь високого тиску є небезпечним при неправильному використанні. Заборонено спрямовувати струмінь у бік людей, підключеного до електромережі обладнання або на сам пристрій.

■ Заборонено спрямовувати струмінь на себе або інших людей з метою очищення одягу або взуття.

■ Шланги, кріплення та муфти важливі для безпеки пристрою. Використовуйте лише шланги, пристосування та стикування рекомендовані виробником.

■ У деяких регіонах існують правила, що обмежують використання продукту для деяких операцій. Перевірте з вашим місцевим органом влади для консультацій

■ Перевіряйте наявність пошкоджень перед кожним використанням. Пошкоджені шланги слід негайно замінити. Переконайтеся у надійності всіх з'єднань, зокрема кріплень розпилювача та насадки. Розмотайте

шланг правильно, не має бути жодних викривлень та перекручень.

- Закрийте вікна та двері перед початком будь-якого очищення. Приберіть зону очищення від сміття, іграшок, вуличних меблів та інших предметів, що можуть спричинити небезпечну ситуацію.
- Заборонено використання пристрою за температури нижче 0°C.
- Заборонено використання із пристроєм кислот, луг, розчинників або розчинників промислового класу. Ці засоби можуть спричинити травмування оператора та незворотні пошкодження пристрою.

⚠ Попередження! Заборонено розпилювати горючі рідини, щоб уникнути ризику вибуху.

⚠ Попередження! High-pressure jet can be dangerous if subjected to misuse. Струмінь не має бути спрямований на людей, тварин, електричне обладнання або сам пристрій.

- Міцно тримайте ручку двома руками. Очікуйте на переміщення ручки при натисканні на пусковий гачок через вплив сили реакції. Якщо це зроблено неправильно, може бути втрачений контроль або спричинене травмування оператора чи інших людей.
- Будьте обережні, щоб уникнути ковзання або падіння.
- Тримайте міцну опору і рывновагу. Не тягніться. Намагання дотягнутися можуть призвести до втрати рівноваги.
- Ніколи не залишайте увімкнений прилад без нагляду. При вимиканні пристрою ніколи не залишайте його без нагляду до повної зупинки. Завжди зберігайте підключений до акумулятора пристрій у недоступному для дітей місці.
- Добре ознайомтесь з керуванням. Знайте, як зупинити пристрій та швидко знизити тиск.
- Будьте уважними та здійсніть перевірки. Дивіться, що ви робите та керуйтеся здоровим глуздом.
- Не працюйте з виробом, коли ви втомлені або знаходитесь під дією наркотиків, алкоголю або медикаментів. Найменша небережність при роботі з електроінструментом може призвести до серйозних травм.

- Не використовуйте пристрій у разі, якщо кнопка вимикання не працює. Продукт, який не може управлятися за допомогою перемикача, небезпечний і повинен бути відремонтований.
- Дотримуйтеся мінімальної дистанції у 30 см, коли очищуєте транспортні засоби. Струмінь високого тиску може призвести до пошкодження або розривання автомобільних покришок та / або клапанів покришок.
- Забороняється експлуатація пристрою після падіння, при видимих пошкодженнях або витіканні води.
- Тривале використання інструменту може призвести до травмування або загострення існуючої травми. При використанні приладу протягом тривалого періоду часу, часті перерви.

ПОПЕРЕДЖЕННЯ З ТЕХНІКИ БЕЗПЕКИ ВИКОРИСТАННЯ АКУМУЛЯТОРІВ

- Заряджайте акумуляторну батарею тільки за допомогою зарядного пристрою, зазначеного виробником. Зарядний пристрій, що підходить для одного типу акумуляторів, може створити ризик загоряння при використанні з іншим акумуляторним блоком.
- Коли акумулятор не використовується, тримайте його подалі від металевих предметів, таких як скріпки, монети, ключі, цвяхи, шурупи, або інші дрібні металеві предмети, які можуть підключити один контакт до іншого. Коротке замикання контактів акумулятора може призвести до опіків або пожежі.
- Тримайте акумулятори та зарядний пристрій подалі від вологи та пари.
- Використовуйте пристрій лише з акумуляторами зазначеними у цій інструкції з використання. Використання будь-яких інших акумуляторів, може створити ризик отримання травми і пожежі.
- У важких умовах експлуатації, рідина може бути випущена з батареї; уникайте контакту. При випадковому контакті змийте водою. При потрапленні рідини в очі, зверніться за медичною допомогою. Рідина з акумулятора може викликати роздратування або опіки.

- Не викидайте акумулятори разом з побутовими відходами. Їх потрібно збирати окремо і утилізувати безпечним для навколишнього середовища способом. Слід звернутися до органу місцевої влади або до дилера.
- Акумулятор має захист від перегріву. При перегріві живлення виробу від акумуляторної батареї вимикається. Якщо акумулятор занадто теплий, перш ніж відновити роботу, дайте йому охолонути. Якщо виріб і далі не працює, необхідно перезарядити акумулятор.

ПРИМІТКА: Світлодіодний індикатор акумулятора не працюватиме, якщо функція захисту акумулятора спричинила призупинення живлення виробу від акумулятора (режим очікування). Відпустіть кнопку включення-виключення або вийміть акумулятор з пристрою і СВД індикатор акумулятора відновить нормальну функцію.

ДОДАТКОВІ ПОПЕРЕДЖЕННЯ З ТЕХНІКИ БЕЗПЕКИ ЩОДО ВИКОРИСТАННЯ АКУМУЛЯТОРІВ

⚠ Попередження! Не бризкайте воду на пристрій. Це може призвести до пошкодження акумулятора.

Для запобігання небезпеці пожежі в результаті короткого замикання, травмам і пошкодженню виробів не занурюйте інструмент, змінний акумулятор або зарядний пристрій у рідину і не допускайте потрапляння рідини всередину пристроїв або акумуляторів. Корозійні і струмопровідні рідини, такі як солоний розчин, певні хімікати, вибілювальні засоби або продукти, що їх містять, можуть призвести до короткого замикання.

ТРАНСПОРТУВАННЯ ТА ЗБЕРІГАННЯ

- Зупиніть двигун, видаліть акумулятор, та дайте пристрою охолонути. Від'єднайте пристрій від водопроводу перед тим, як зберігати або транспортувати.
- Перед зберіганням продукту видаліть всю воду з шлангів та насосу, спустошіть бак для мийного засобу.
- Акуратно зверніть сифонний шланг кільцями і зберігайте його разом із мийкою.

- Почистіть всі сторонні матеріали з продукту. Зберігайте в прохолодному при температурі вище 0 гр., сухому та добре вентиляваному місці, недоступному для дітей. Не розміщуйте пристрій на зберігання поблизу печі або іншого джерела тепла, оскільки це може призвести до пошкодження ущільнень насоса. Зберігати подалі від агресивних агентів, таких як садові хімікати і солей проти обледеніння. Не зберігайте пристрій на відкритому повітрі.
- Для транспортування, забезпечіть машину від руху або падіння, щоб запобігти травми людей або пошкодження машини.

⚠ Попередження! Зберігайте пристрій тільки у приміщенні. Зберігання при температурі нижче 0° призведе до пошкодження приладу.

ПЕРЕВЕЗЕННЯ ЛІТЄВИХ БАТАРЕЙ

Здійсніть транспортування акумуляторної батареї відповідно до місцевих та загальнодержавних норм і правил.

Дотримуйтеся всі спеціальні вимоги до упаковки і маркування при транспортуванні батареї третьою стороною. Переконайтеся, що під час транспортування акумулятор не вступає в контакт з іншими акумуляторними батареями або струмопровідними матеріалами та захистіть відкриті роз'єми ізоляційними непровідними кришками або стрічкою. Чи не переносьте акумулятори, тріснуті або бігу. Зв'язатися з нами для отримання подальших рекомендацій.

ТЕХНІЧНЕ ОБСЛУГОВУВАННЯ

Використовуйте тільки оригінальні запасні частини, аксесуари та обладнання від виробника. Невиконання цієї вимоги може привести до можливої травми, поганої продуктивності та може призвести до втрати гарантії.

Обслуговування вимагає крайньої обережності і знання і повинно бути виконане тільки кваліфікованим фахівцем. Звертайтеся тільки до авторизованого сервісного центру. При технічному обслуговуванні використовуйте тільки ідентичні заміні частини.

- Зупиніть двигун, видаліть акумулятор, та дайте пристрою охолонути. Від'єднайте пристрій від водопроводу:
 - перед чищенням
 - Перед технічним обслуговуванням пристрою
 - перед заміною запасних частин
- Ви можете зробити регулювання та ремонт, описані в цьому посібнику користувача. Для інших ремонтних робіт, зверніться до авторизованого сервісного агента.
- Для безпечного використання регулярно перевіряйте та проводьте технічне обслуговування виробу. Слідкуйте за тим, щоби акумуляторний відсік був правильно зібраний та щільно закритий; регулярно перевіряйте його на предмет ушкоджень. Будь-яка пошкоджена деталь, має бути правильно відремонтована або замінена в авторизованому сервісному центрі.
- Якщо виріб не планується використовувати впродовж тривалого часу, акумулятори слід знімати.

⚠ Попередження! Не підключайте насадку 3-в-1 до продукту, використовуючи лише поворотний адаптер RAC764. Під час використання поворотного адаптера, завжди використовуйте металевий штир або подовжувач, що входить до комплекту.

ЗАХИСНІ ПРИСТРОЇ

- Кнопка-фіксатор
 - Фіксатор блокування спускового механізму блокує спусковий гачок та запобігає ненавмисному відкриттю потоку високого тиску.

СИМВОЛИ НА ПРОДУКТІ



Попередження

Для запобігання ризику травми користувач повинен прочитати та зрозуміти керівництво користувача перед використанням цього виробу.



Надягайте захисні окуляри та респіратор відповідного рівня захисту.



Прилад не призначений для підключення до мережі питної води без пристрою запобігання зворотного витoku.



Заборонено спрямовувати розпилювальну трубку на людей, тварин, корпус механізму, блок живлення та будь-яке електричне обладнання.



Не піддавайте впливу дощу або вологих умов.



Європейський знак відповідності



Британський знак відповідності

ЗНАЙ СВІЙ ПРОДУКТ

Дивіться сторінку 111.

1. Кнопка звільнення лінії
2. Упор додаткової ручки
3. Додаткова ручка
4. Перемикач вибору режиму
5. Низький режим
6. Середній режим
7. Високий режим
8. Затискач для відра
9. Тригер Увімкнено/Вимкнено
10. Кнопка-фіксатор
11. Ручка
12. Акумуляторне відділення у використанні
13. Запор
14. Адаптер для бачка ємністю 2 л
15. Впускний отвір для води
16. Швидкий роз'єм
17. Сифонний шланг
18. Очищувач поверхонь
19. Фільтр
20. Металевий штир
21. Насадка 3-в-1
22. Інструкція з експлуатації
23. Акумуляторна батарея
24. Зарядний пристрій
25. Мийний засіб RYOBI



Євразійська знак відповідності.



Український знак відповідності

Не викидайте старе електричне та електронне устаткування разом із несорттованим побутовим сміттям. Старе електричне та електронне устаткування збирається окремо. З устаткування необхідно зняти старі джерела світла. За консультацією по утилізації пристрою слід звернутися до органу місцевої влади або до дилера. Місцеве законодавство може зобов'язувати продавців безкоштовно приймати старе електричне й електронне устаткування. Ваш внесок до справи повторного використання та переробки старого електричного та електронного устаткування зменшує потребу у сировині. У старому електричному та електронному устаткуванні містяться цінні, придатні для повторного використання матеріали, і якщо утилізація такого устаткування проводиться у неекологічний спосіб, це негативно впливає на навколишнє середовище та людське здоров'я. Видаліть персональні дані з устаткування, яке передається на переробку.



СИМВОЛИ В ЦЬОМУ ПОСІБНИКУ



Запчастини та аксесуари, що продаються окремо



ПРИМІТКА



Попередження

Kablosuz yüksek basınçlı temizleyicinin tasarımında güvenlik, performans ve güvenilirliğe en yüksek öncelik verilmiştir.

KULLANIM AMACI

Kablosuz yüksek basınçlı temizleyici yalnızca iç mekan kullanımına yöneliktir.

Ürün evde veya domestik kullanım için tasarlanmıştır. Veranda mobilyalarını, pencereleri, otomobilleri, botları temiz su kullanarak temizleme deterjanı olmadan temizlemeye yöneliktir.

Ürün iyi aydınlatılmış ortamlarda kullanılmalıdır.

Tüketici sınıfı temizlik solüsyonlarının ve dezenfektanların püskürtülmesi gibi başka herhangi bir amaçla kullanırken yıkama makinesinin belirlenen aksesuar kitlerini kullanın.

Başka herhangi bir amaçla kullanmayın.

⚠ UYARI! Bu ürün üretici tarafından tedarik edilen ya da tavsiye edilen nötr temizleme maddesi ile kullanılacak şekilde tasarlanmıştır. Farklı temizleme maddelerinin kullanımı ürünün emniyetli kullanımını olumsuz yönde etkileyebilir.

GENEL GÜVENLİK UYARILARI

⚠ UYARI! Tüm güvenlik uyarılarını ve tüm talimatları okuyun. Uyarılara ve talimatlara uymamak elektrik çarpması, yangın ve/veya ciddi yaralanma ile sonuçlanabilir.

⚠ İKAZ! Ürün EN 12729 Tip BA ile uyumlu bir şekilde kurulan geri akış engelleyicisi olmadan içme suyu şebekesine bağlı şekilde kullanılmamalıdır. Geri akış engelleyicisi içinden akan su içilemez. Ürünü içme suyu şebekesine bağlamayın.

- Ürün çocuklar ya da kısıtlı fiziksel, duyuşal ya da zihinsel becerilere sahip ya da yeterli deneyimi veya bilgisi olmayan kişilerin kullanımına uygun değildir. Ürünle oynamadıklarından emin olmak için çocuklara uygun şekilde nezaret edilmelidir.
- Ürünü çalıştırırken güvenlik gözlükleri ve işitme koruması gibi kişisel koruyucu ekipmanlar takın.
- Yaralanma riskini azaltmak için çocuk ve ziyaretçileri üründen uzak tutun. Etraftaki herkesin emniyet gözlükleri kullanması ve çalışma alanından güvenli bir mesafede bulunması gerekir.

■ Emniyet cihazlarının iyi ve çalışır durumda olduğundan emin olun. Her kullanımdan önce tüm emniyet cihazlarının düzgün şekilde çalıştığından emin olun.

■ Güvenlik cihazları veya sprey çubuk gibi önemli parçalar hasarlıysa ürünü kullanmayın.

⚠ UYARI! Ürün kullanılırken aerosol oluşabilir. Aerosollerin solunması sağlığa zararlı olabilir. Temizlik ortamına bağlı olarak FFP 2 sınıfı ya da eşdeğeri bir solunum maskesi gerekli olabilir.

■ Tetiği çekerken meme ucunu çevirmeyin. Meme ucu çevrildiğinde su akıyorsa boşaltma kanalı suyu bırakır. Bu bir sızıntı değildir, suyun cihaza zarar vermeden kaçmasına yardımcı olur.

■ Yüksek basınçlı jet yanlış kullanıldığında tehlikelidir. Jeti kişilere, çalışan elektrikli ekipmanlara ya da ürünün kendisine doğru kullanmayın.

■ Kıyafet ya da ayakkabıları temizlemek için jeti kendinize ya da başkalarına doğrultmayın.

■ Hortumlar, bağlantı parçaları ve rakorlar ürünün emniyeti için önemlidir. Yalnızca üreticinin tavsiye ettiği hortum, tertibat ve rakor kullanın.

■ Bazı bölgeler ürünün bazı çalışmalarda kullanımına kısıtlama getiren yönetmeliklere sahiptir. Tavsiye için bölgenizdeki yetkili merciyeye başvurun.

■ Her kullanım öncesi üründe hasar olup olmadığını kontrol edin. Hasar görmüş hortumların hemen değiştirilmesi gereklidir. Sprey çubuğu ve meme ucu gibi tüm bağlantıların sağlam olduğundan emin olun. Hortumu katlanıp sıkışmaması için düzgün şekilde açın.

■ Herhangi bir temizlik işlemine başlamadan önce kapı ve pencereleri kapatın. Temizlenecek alanı çöp, oyuncak, bahçe mobilyası ya da tehlike oluşturabilecek diğer nesnelere arındırın.

■ Ürünü 0°C altındaki sıcaklıklarda kullanmayın.

■ Ürüne asit, alkalin, çözücü ya da endüstriyel solüsyonlar koymayın. Bu ürünler kullanıcıda fiziksel yaralanmaya yol açabileceği gibi ürüne tamiri mümkün olmayan hasar verebilir.

⚠ **UYARI!** Patlama riskinden kaçınmak için alev alabilen sıvıları sprey şeklinde sıkmayın.

⚠ **UYARI!** Yüksek basınçlı jet yanlı kullanıma maruz kaldığında tehlikelidir. Jet kişilere, hayvanlara, elektrikli ekipmanlara ya da ürünün kendisine doğru tutulmamalıdır.

- Tutamağı iki elinizle güvenli bir şekilde tutun. Tetik çekildiğinde reaksiyon vereceğinden tutamağın hareket etmesini bekleyin. Aksi halde kontrolünüzü kaybedebilir ve kendiniz ile diğer kişilerin yaralanmasına yol açabilirsiniz.
- Kayma ve düşmeye karşı dikkatli olun.
- Yere sağlam basın ve dengede durun. Yukarıya doğru erişmeye çalışmayın. Yukarıya erişmeye çalışmak dengenizi kaybetmenize neden olabilir.
- Çalışır vaziyetteyken asla ürünün yanından ayrılmayın. Ürünü kapatın ve yalnızca tamamen durduğunda başından ayrılın. Ürün çalışırken çocukların erişemeyeceği yerde bulundurun.
- Kontrol elemanlarını iyi tanıyın. Ürünü hızlı bir şekilde durdurup basıncı boşaltmayı öğrenin.
- Dikkatli olun ve tetikte kalın. Yaptığınız işe dikkat edin ve sağduyulu olun.
- Ürünü yorgun veya hastayken ya da uyuşturucu, alkol veya ilaç etkisi altındayken asla kullanmayın. Ürünü kullanırken bir anlık dikkatsizlik ciddi kişisel yaralanmaya yol açabilir.
- Eğer anahtar açılıp kapanmıyorsa makineyi kullanmayın. Anahtarla kontrol edilemeyen her elektrikli alet tehlikelidir ve onarılmalıdır.
- Araçları temizlerken en az 30 cm mesafe bırakın. Yüksek basınç araç lastiklerine ve/veya siboplarına hasar verebilir veya patlatabilir.
- Ürün düşürüldüyse, gözle görünür hasar varsa veya sızıntı yapıyorsa kullanılmamalıdır.
- Ürünün uzun süre kullanılması nedeniyle yaralanmalar meydana gelebilir veya kötüleşebilir. Herhangi bir alet uzun süre kullanıldığında düzenli molalar verdiğinizden emin olun.

PİL PAKETİ EMNİYET UYARILARI

- PİL paketini yalnızca üreticinin belirttiği şarj cihazı ile tekrar şarj edin. Tek bir pil takımı tipine uygun bir şarj cihazı başka bir pil

takımı ile birlikte kullanıldığında yangın riski oluşturabilir.

- PİL takımı kullanılmadığı zaman ataş, bozuk para, anahtar, çivi, vida ve diğer metal nesnelere gibi bir terminalden diğerine bağlantı oluşturabilecek diğer metal nesnelere uzak tutun. PİL terminallerinin birlikte kısa devre yapması yanığa veya yangına neden olabilir.
 - PİL paketi ve şarj cihazını ıslak ve nemi ortamlardan uzak tutun.
 - Ürünü yalnızca bu kılavuzda belirtilen pil paketleri ile kullanın. Başka bir pil takımı kullanmak yaralanma ve yangın riski oluşturabilir.
 - Kötü koşullarda pilden sıvı boşalabilir; temas etmekten kaçınınız. Eğer kazara temas ederseniz temas eden yeri suyla yıkayınız. Eğer sıvı gözlerinize temas ederse ek olarak tıbbi yardım alın. Pilden boşalan sıvı tahrişe veya yanıklara neden olabilir.
 - PİL paketlerini ev çöpleriyle birlikte atmayın. Ayrı bir şekilde toplanmalı ve çevreye duyarlı bir geri dönüşüm tesisine teslim edilmelidir. Geri dönüşüm tavsiyesi ve toplama noktası bilgisi için yerel yetkililer ya da perakendeciniz ile iletişime geçin.
 - PİL paketi aşırı ısınma koruması. Aşırı sıcaklıklar bataryanın alete güç sağlamayı kesmesine neden olur. PİL takımı çok sıcaksa çalıştırmaya devam etmeden önce soğumasını bekleyin. Ürün buna rağmen çalışmazsa, pil paketini şarj edin.
- NOT:** PİL paketi koruma özelliğinin pil paketinin ürüne güç vermesini durdurması halinde, pil paketi LED göstergesi yanmaz. Açma kapama düğmesini bırakın ya da pil paketini üründen çıkarın ve pil paketi LED göstergesi normal işlevine geri dönecektir.

PİL İÇİN EK GÜVENLİK UYARILARI

⚠ **UYARI!** Ürüne su sıçratmayın. PİL paketine hasar verebilir.

Bir kısa devreden kaynaklanan yangın, yaralanma veya ürün hasarları tehlikesini önlemek için aleti, güç paketini veya şarj cihazını asla sıvıların içine daldırmayınız ve cihazların ve pillerin içine sıvı girmesini önleyiniz. Tuzlu su, belirli kimyasallar, ağartıcı madde veya ağartıcı madde içeren ürünler gibi korozif veya iletken sıvılar kısa devreye neden olabilir.

TAŞIMA VE DEPOLAMA

- Ürünü durdurun, pil paketini çıkarın ve ürünün soğumasını bekleyin. Depolama ya da taşıma öncesinde ürünün su tedariki bağlantısını kesin.
- Ürünü depolamadan önce tüm boru ve pompadaki suyu, depodaki deterjanı boşaltın.
- Sifon hortumu düzgün bir şekilde sarın ve elektrikli yıkama makinesiyle birlikte muhafaza edin.
- Üründeki tüm yabancı maddeleri temizleyin. Ürünü çocukların erişemeyeceği serin, donma yapmayan, kuru ve iyi havalandırılmış bir yerde depolayın. Ürünü pompa contalarını kurutabilecek ocak veya diğer ısı kaynaklarının yakınında depolamayın. Bahçe kimyasalları ve buz çözücü tuzlar gibi korozif maddelerden uzak tutun. Ürünü açık havada depolamayın.
- Taşınacağı zaman insanların yaralanmasını veya ürünün zarar görmesini önlemek amacıyla ürünü hareket etmemesi veya düşmemesi için sabitleyin.

⚠ **UYARI!** Ürünü yalnızca iç mekanlarda muhafaza edin. Sıcaklığın 0° altında olduğu yerde depolama ürüne zarar verecektir.

LİTYUM BATARYALARIN TAŞINMASI

Bataryayı yerel ve ulusal hükümlere ve yönetmeliklere uygun şekilde taşıyın.

Bataryalar üçüncü bir şahıs tarafından taşındığında ambalaj ve etiket üzerindeki tüm özel koşullara uyun. Açıktaki konnektörleri yalıtkan, iletken olmayan başlıklar veya bant ile koruyarak hiçbir bataryanın taşıma sırasında diğer bataryalarla veya iletken malzemelerle temas etmediğinden emin olun. Çatlak veya sızdıran bataryaları taşımayın. Ek tavsiye için nakliye şirketi ile birlikte kontrol edin.

BAKİM

Sadece orijinal üreticinin yedek parçalarını, aksesuarlarını ve ek parçalarını kullanın. Aksine davranış olası yaralanmaya yol açabilir, yetersiz performansla neden olabilir ve garantinizin geçersiz olmasıyla sonuçlanabilir.

Servis çalışması en yüksek düzeyde dikkat ve bilgi gerektirir ve sadece nitelikli bir servis teknisyeni tarafından yapılmalıdır. Ürünün servis işlemlerini sadece yetkili bir servis

merkezinde yaptırın. Servis yapılırken sadece aynı yedek parçaları kullanın.

- Ürünü durdurun, pil paketini çıkarın ve ürünün soğumasını bekleyin. Aşağıdaki işlemlerden önce ürünün su tedariki bağlantısını kesin:
 - ürünü temizlemeden önce
 - ürünün bakımını yapmadan önce
 - yedek parçaları değiştirmeden önce
- Sadece bu kılavuzda açıklandığı şekilde ayar veya onarım yapabilirsiniz. Diğer onarımlar için yetkili servis temsilcisini arayın.
- Ürünü güvenli bir şekilde kullanmak için düzenli olarak inceleyin ve bakımını yapın. Pil bölmesinin uygun bir şekilde monte edildiğinden, sıkıca kapatıldığından ve sık sık hasarlara karşı kontrol edildiğinden emin olun. Hasarlı her tür parça yetkili servis merkezi tarafından uygun şekilde onarılmalı veya değiştirilmelidir.
- Ürün uzun bir süre için depolanacaksa, pillerin çıkarılması gerekir.

ÜRÜNÜNÜZÜ TANIYIN

Bkz. sayfa 111.

1. Tel salma düğmesi
2. Yardımcı tutamak bileziği
3. Yardımcı tutamak
4. Mod kontrol anahtarı
5. Yavaş mod
6. Orta mod
7. Hızlı mod
8. Çengelli klips
9. Açma/Kapama tetiği
10. Kilit düğmesi
11. Kulp
12. Kullanılan akü kompartımanı
13. Mandal
14. 2L Şişe Adaptörü
15. Su girişi
16. Hızlı Bağlantı
17. Sifon hortumu
18. Yüzey temizleyici
19. Filtre
20. Metal çubuk
21. 3 fonksiyonlu nozül
22. Kullanım kılavuzu
23. Pil
24. Şarj cihazı
25. RYOBI deterjan

⚠ **UYARI!** 3'ü 1 arada nozülü ürüne yalnızca RAC764 döner adaptörü kullanarak bağlamayın. Döner adaptörü kullanırken

daima ürünle birlikte verilen metal çubuğu veya uzatma çubuğunu kullanın.

GÜVENLİK CİHAZLARI

- Kilit düğmesi
 - Tetik kilidi tetiği kilitler ve yüksek basınçlı jetin kazara açılmasını önler.

ÜRÜN ÜZERİNDEKİ SEMBOLLER



Uyari



Yaralanma riskini azaltmak için kullanıcı ürünü kullanmadan önce kullanıcı kılavuzunu okuyup anlamalıdır.



Koruyucu gözlük ve uygun solunum maskesi kullanın.



Ürün geri akış önleyici olmayan içme suyu şebekesine bağlanmaya uygun değildir.



Sprey çubuğunu asla kişiler, hayvanlar, makine gövdesi, güç kaynağı ya da elektrikli aletlere doğrultmayın.



Ürünü yağmura veya nemli koşullara maruz bırakmayın.



Avrupa Uyumluluk İşareti



Britanya Uyumluluk İşareti



EurAsian Uygunluk İşareti



Ukrayna Uyumluluk İşareti

001



Atık elektrikli ve elektronik ekipmanı, sınıflandırılmamış belediye atığı olarak bertaraf etmeyin. Atık elektrikli ve elektronik ekipmanlar ayrıca toplanmalıdır. Atık ışık kaynakları ekipmandan çıkarılmalıdır. Geri dönüşüm tavsiyesi ve toplama noktası bilgisi için yerel yetkililer ya da perakendeciniz ile iletişime geçin. Yerel düzenlemelere göre perakendecilerin atık elektrikli ve elektronik ekipmanı ücretsiz olarak geri alma yükümlülüğü olabilir. Atık elektrikli ve elektronik ekipmanların yeniden kullanımı ve geri dönüşümüne katkınız, hammadde talebini azaltmaya yardımcı olur. Atık elektrikli ve elektronik ekipmanlar, çevreye uyumlu bir şekilde bertaraf edilmediği takdirde çevre ve insan sağlığını olumsuz yönde etkileyebilecek değerli, geri dönüştürülebilir malzemeler içerir. Varsa, atık ekipmandaki kişisel verileri silin.

BU KILAVUZDAKİ SEMBOLLER



Ayrı satılan parçalar veya aksesuarlar

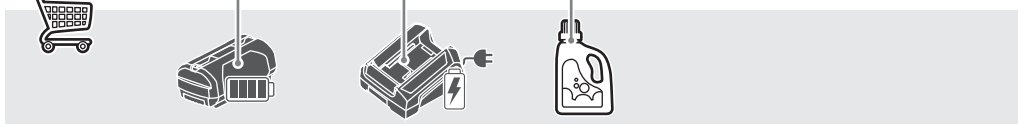
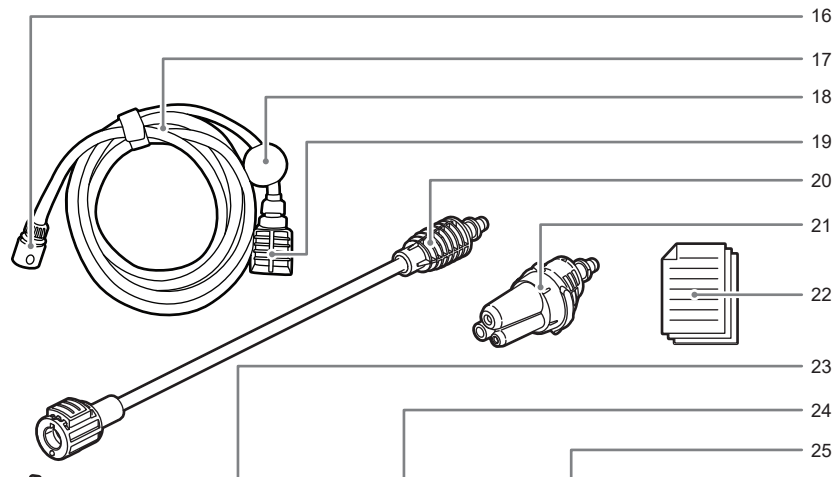
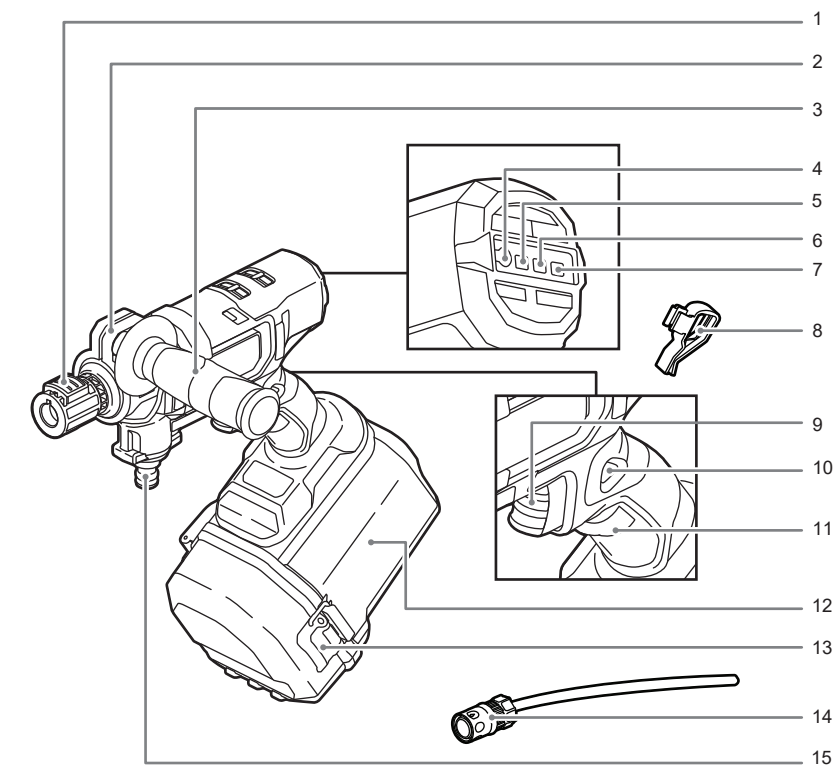


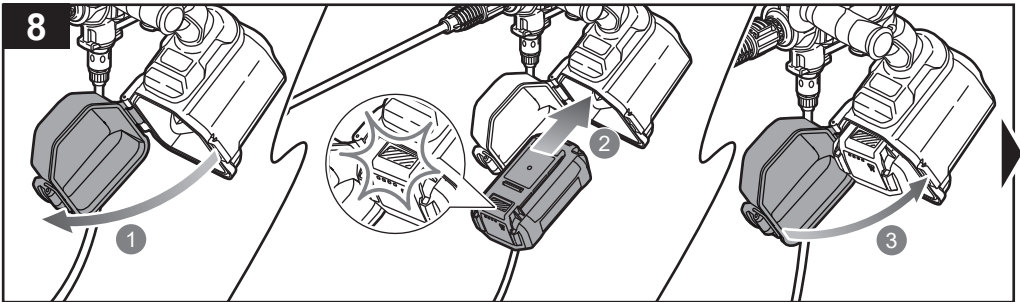
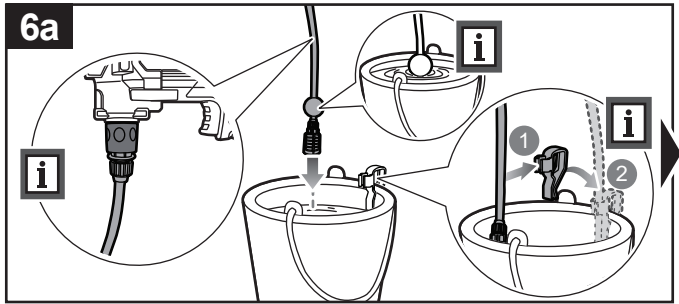
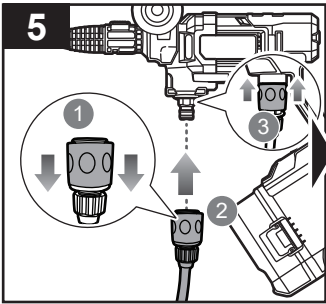
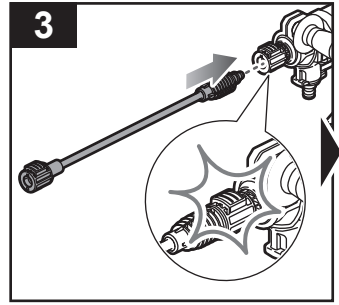
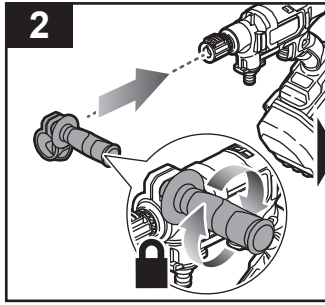
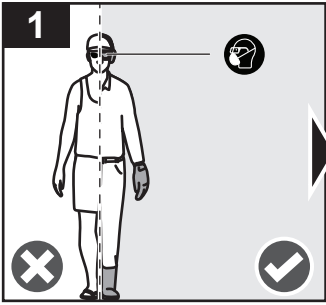
Not

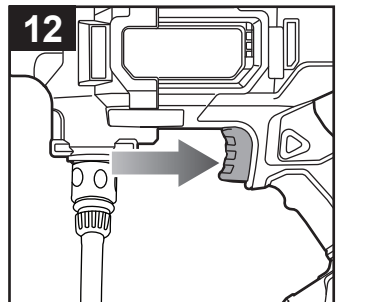
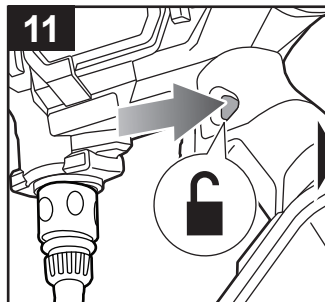
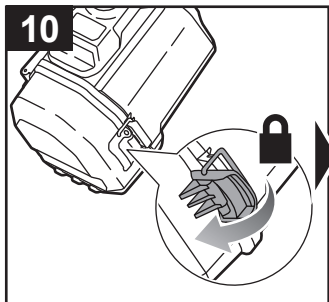
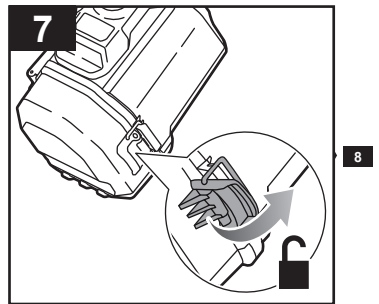
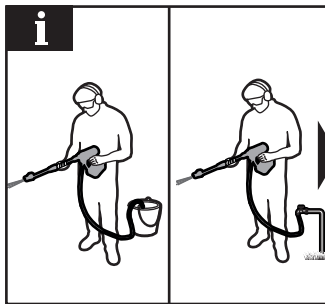
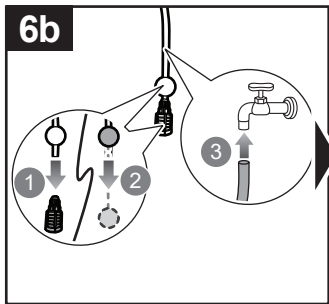
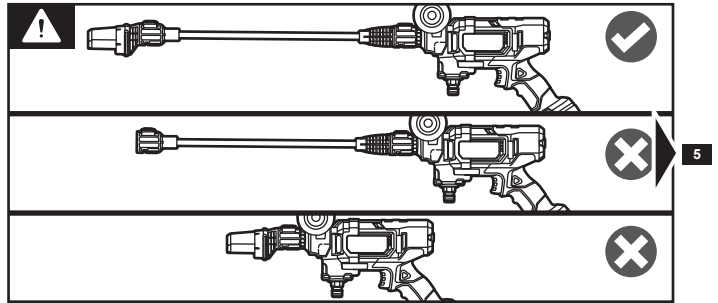
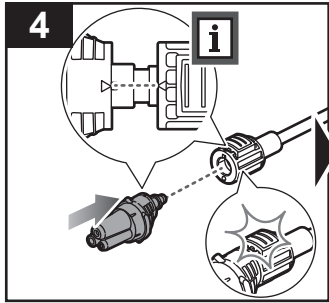


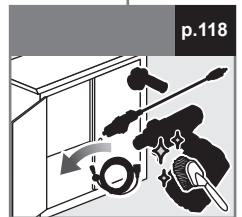
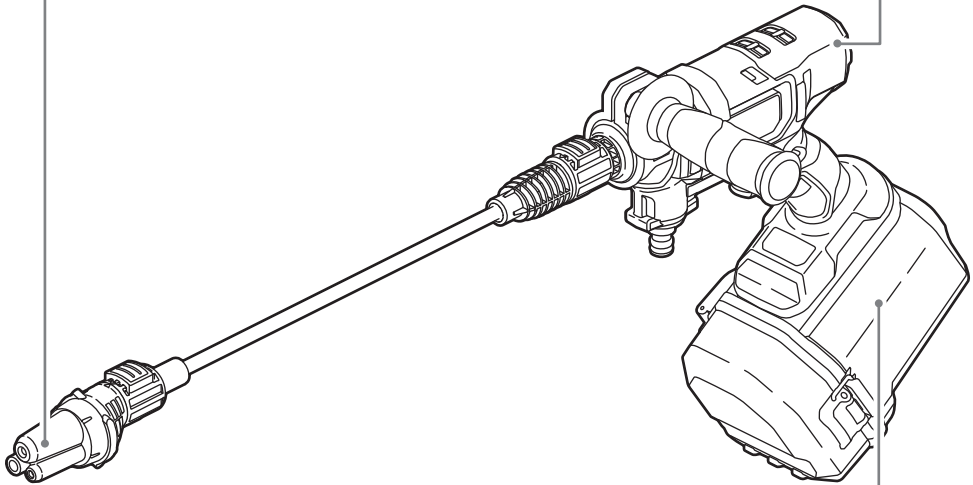
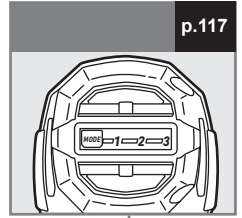
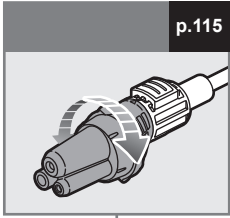
Uyari

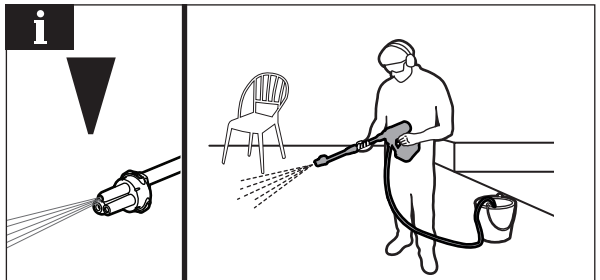
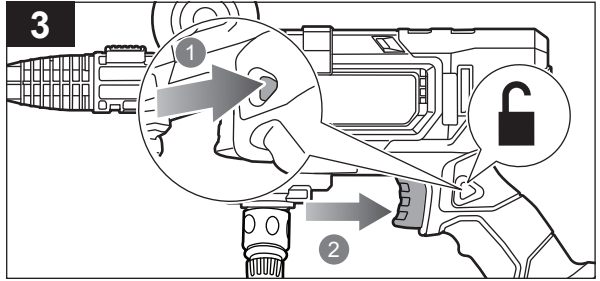
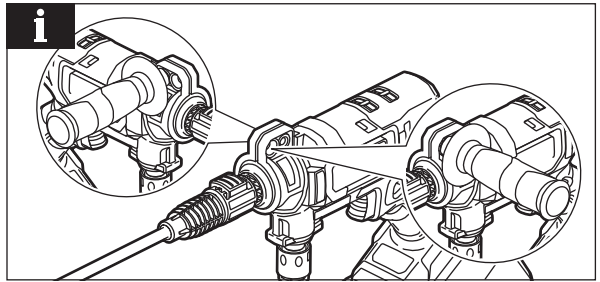
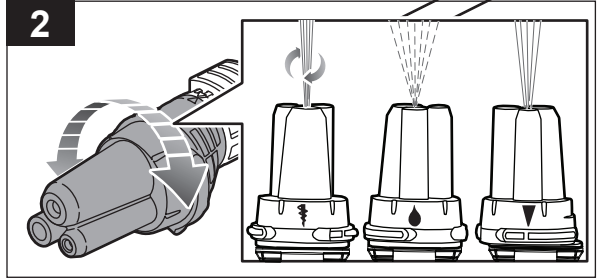
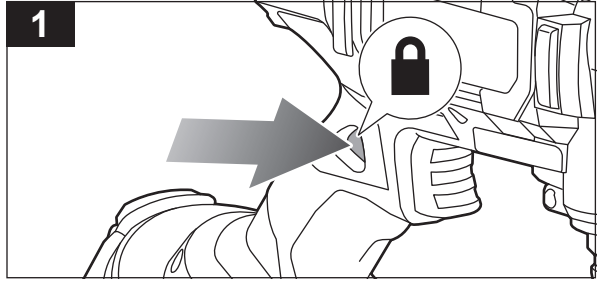
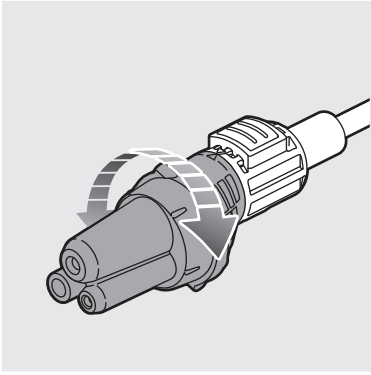
R Y36PWX41A-0

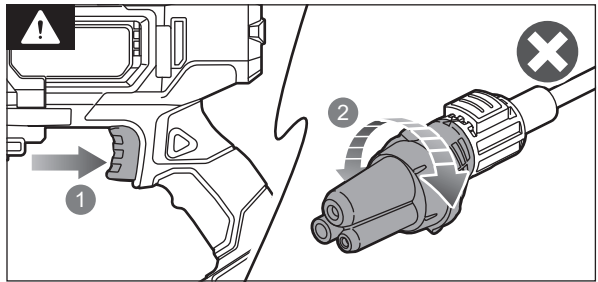
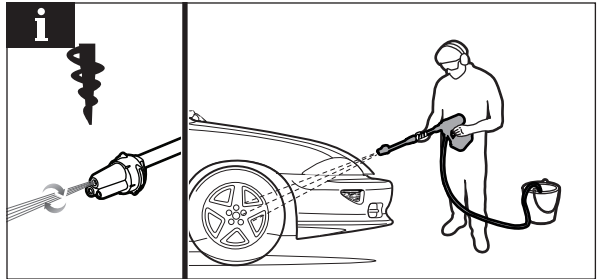
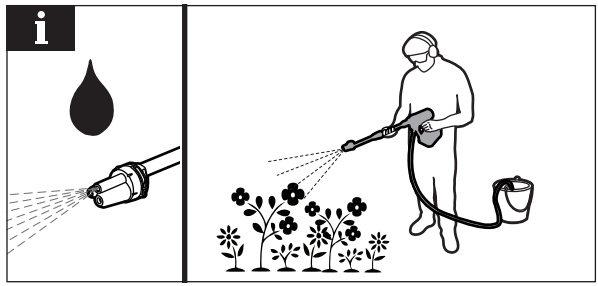


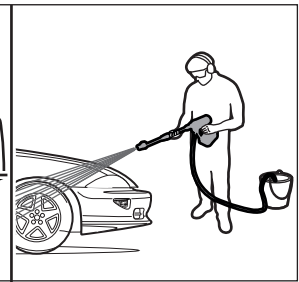
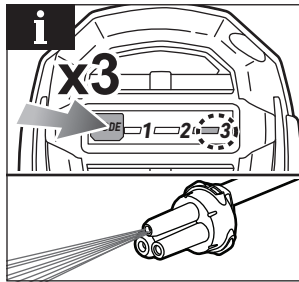
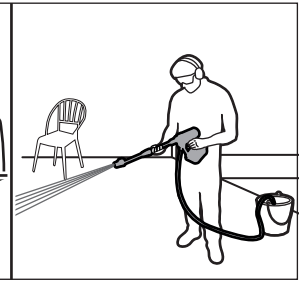
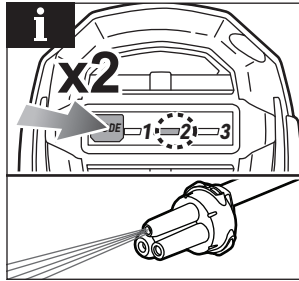
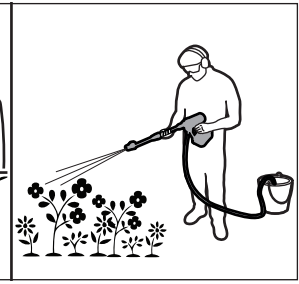
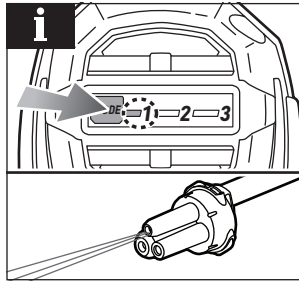
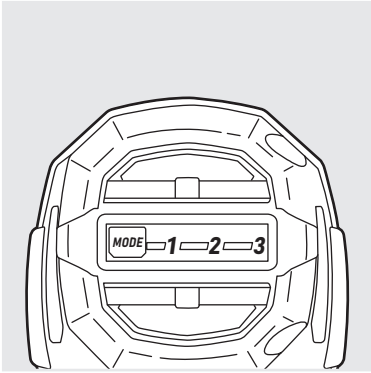


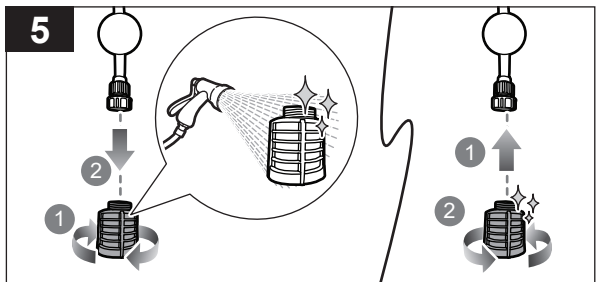
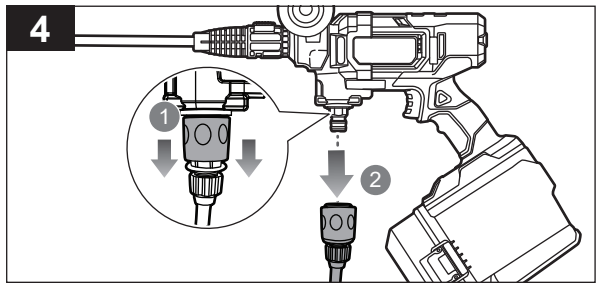
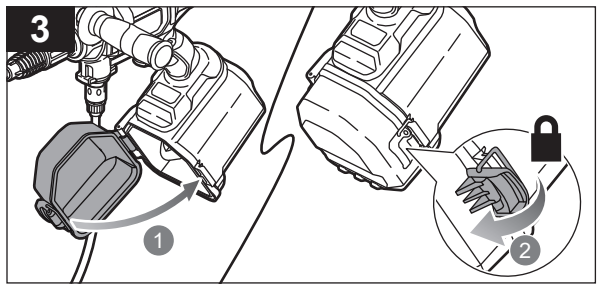
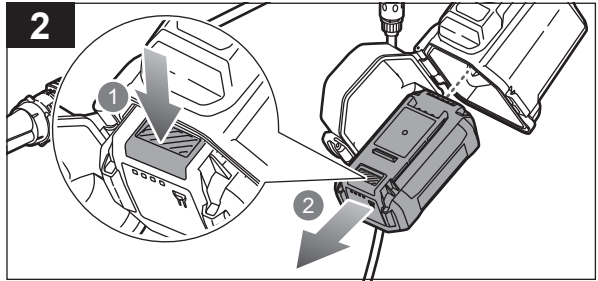
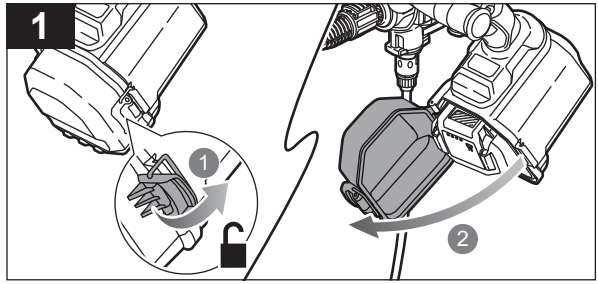
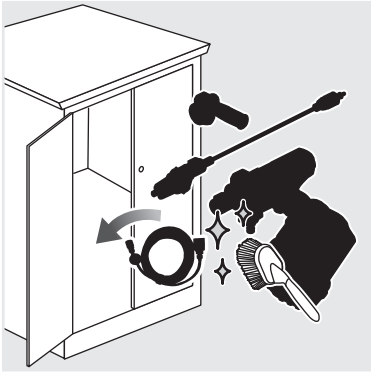


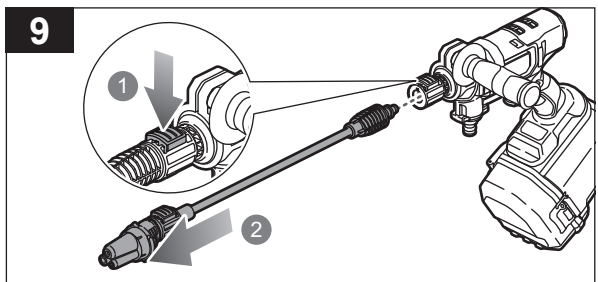
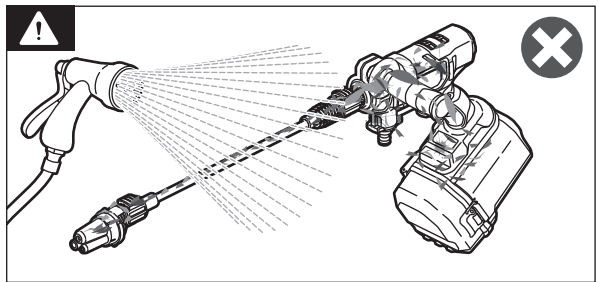
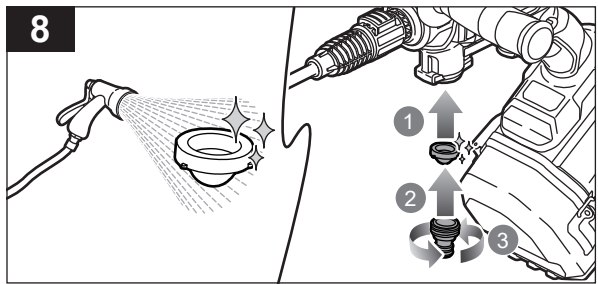
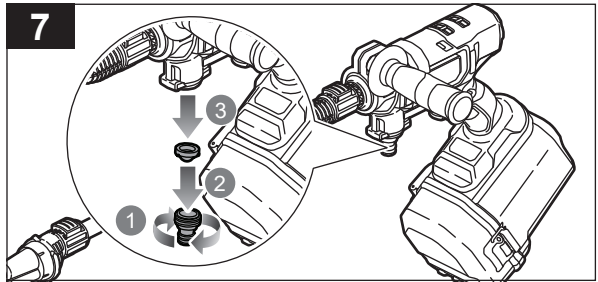
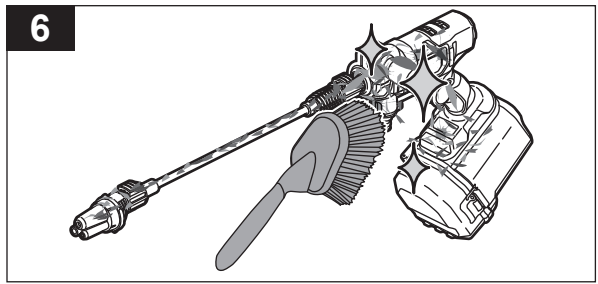


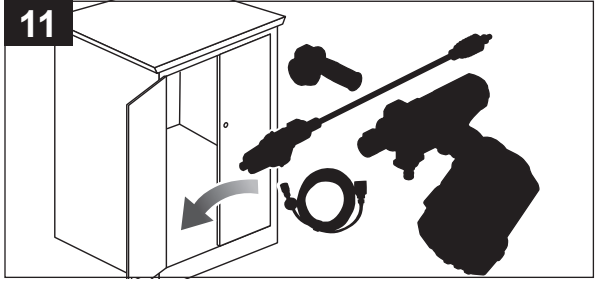
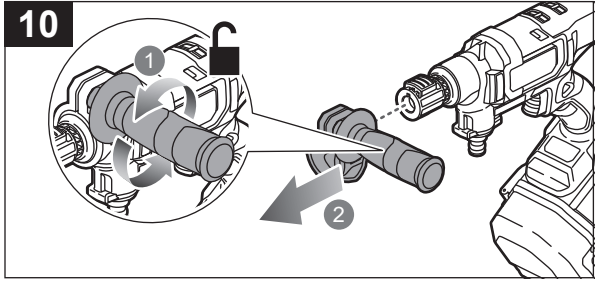














English	Français	Deutsch	Español	Italiano	Nederlands
Product specifications	Caractéristiques produit	Produkt-Spezifikationen	Características del producto	Caratteristiche del prodotto	Productgegevens
Cordless power washer	Nettoyeur haute pression sans fil	Akku-Mitteldruckreiniger	Limpiador eléctrico inalámbrico	Pulitore a batteria	Snoerloze elektrische reiniger
Model	Modèle	Modell	Modelo	Modello	Model
Rated voltage	Tension nominale	Nennspannung	Tensión nominal	Voltaggio nominale	Toegekende spanning
Weight	Poids	Gewicht	Peso	Peso	Gewicht
Maximum pressure	Pression maximale	Maximaler Druck	Presión máxima	Pressione massima	Maximale druk
Rated pressure	Pression nominale	Nenndruck	Presión nominal	Pressione nominale	Beoordeelde druk
Degree of protection	Indice de protection	Schutzart	Grado de protección	Grado di protezione	Beschermgraad
Rated flow	Flux nominal	Nennfluss	Flujo nominal	Portata nominale	Beoordeeld debiet
Maximum flow	Débit maximal	Maximaler Durchfluss	Flujo máximo	Portata massima	Maximale debiet
Maximum inlet water pressure	Pression maximale de l'eau en entrée	Maximaler Eingangs-Wasserdruck	Presión máxima del agua de entrada	Pressione massima dell'acqua in ingresso	Maximale ingaande waterdruk
Maximum suction height	Hauteur d'aspiration maximale	Maximal Ansaughöhe	Altura máxima de aspiración	Altezza di aspirazione massima	Maximale aanzuighoogte
Sound pressure level (L_{pA}) (in accordance with EN 60335-2-79)	Niveau de pression acoustique (L_{pA}) (selon EN 60335-2-79)	Schalldruckpegel (L_{pA}) (nach EN 60335-2-79)	Nivel de presión acústica (L_{pA}) (de acuerdo con la norma EN 60335-2-79)	Livello pressione acustica (L_{pA}) (secondo quanto indicato dalle norme EN 60335-2-79)	Geluidsdrukniveau (L_{pA}) (in overeenstemming met EN 60335-2-79)
Uncertainty	Incertitude	Unsicherheit	Incertidumbre	Incertezza	Onzekerheid
Sound power level (L_{WA}) (in accordance with EN 60335-2-79)	Niveau de puissance sonore (L_{WA}) (selon EN 60335-2-79)	Schallenergiepegel (L_{WA}) (nach EN 60335-2-79)	Nivel de la potencia sonora (L_{WA}) (de acuerdo con la norma EN 60335-2-79)	Livello potenza sonora (L_{WA}) (secondo quanto indicato dalle norme EN 60335-2-79)	Geluidsniveau (L_{WA}) (in overeenstemming met EN 60335-2-79)
Uncertainty	Incertitude	Unsicherheit	Incertidumbre	Incertezza	Onzekerheid
Vibration value (in accordance with EN 60335-2-79)	Niveau de vibration (selon EN 60335-2-79)	Vibrationsgrad (nach EN 60335-2-79)	Nivel de vibración (de acuerdo con la norma EN 60335-2-79)	Livello vibrazioni (secondo quanto indicato dalle norme EN 60335-2-79)	Trillingsniveau (in overeenstemming met EN 60335-2-79)
Uncertainty	Incertitude	Unsicherheit	Incertidumbre	Incertezza	Onzekerheid
Maximum suction hose length	Longueur maximale du tuyau d'aspiration	Maximale Länge des Ansaugschlauch	Longitud máxima de la manguera de aspiración	Lunghezza del tubo di aspirazione massima	Maximale lengte aanzuigslang
Minimum garden hose inner diameter	Diamètre interne minimum du tuyau d'arrosage	Mindest-Innendurchmesser Gartenschlauch	Diámetro interior mínimo de la manguera de jardín	Diametro interno minimo del tubo flessibile	Minimale binnendiameter tuinslang

English	Français	Deutsch	Español	Italiano	Nederlands
Battery and charger	Batterie et chargeur	Akku und Ladegerät	Batería y cargador	Batteria e caricatore	Accu en oplader
Model	Modèle	Modell	Modelo	Modello	Model
Battery pack	Bloc de batterie	Akkupack	Batería	Batteria	Accu
Charger	Chargeur	Ladegerät	Cargador	Caricatore	Lader
Compatible battery packs	Blocs des batterie compatibles	Kompatible Akkupacks	Paquetes de batería compatibles	Gruppo batterie compatibili	Compatibele accupacks
Compatible chargers	Chargeurs compatibles	Kompatible Ladegeräte	Cargador compatible	Caricatore compatibile	Compatibele oplader



Português	Dansk	Svenska	Suomi	Norsk	Русский	
Características do aparelho	Produktspecifikationer	Produktspecifikationer	Tuotteen tekniset tiedot	Produktspesifikasjoner	Характеристики изделия	
Lavadora sem fios	Trådløse højtrykssenser	Sladdlös högtryckstvätt	Langaton painesensuri	Kabelfri høytrykksensyler	Беспроводная мойка высокого давления	
Modelo	Model	Modell	Malli	Modell	Модель	RY36PWX41A
Tensão nominal	Mærkespænding	Spänning	Nimellisjännite	Nominell spenning	Номинальное напряжение	36 V d.c.
Peso	Vægt	Vikt	Paino	Vekt	Вес	2,4 kg
Pressão máxima	Maksimaltryk	Maximalt tryck	Maksimpaine	Maksimalt trykk	Максимальное давление	55 bar
Pressão nominal	Dimensioeringstryk	Nominellt tryck	Nimellisaine	Nominelt trykk	Номинальное давление	41 bar
Grau de protecção	Beskyttelsesklasse	Grad av skydd	Suojausluokka	Grad av beskyttelse	Класс защиты	IPX5
Caudal nominal	Specificeret gennemstrømning	Nominellt flöde	Nimellisvirtaus	Nominell vannstrøm	Номинальная пропускная способность	160 L/h
Caudal máximo	Maksimal gennemstrømning	Maximalt flöde	Suurin virtausmäärä	Maksimal strømning	Максимальная подача	270 L/h
Pressão máxima da água de entrada	Maksimalt vandindløbstryk	Maximalt ingående vattentryck	Suurin sallittu vedenpaine	Maksimalt innmatingsvanntrykk	Максимальное давление воды на впуске	1,0 MPa (10 bar)
Altura máxima de sucção	Maksimal sugehøjde	Max sughøjde	Enimmäisimurokeus	Maksimal sugehøyde	Максимальная высота всасывания	1,2 m
Nível de pressão sonora (L_{pA}) (de acordo com a norma EN 60335-2-79)	Lydtrykniveau (L_{pA}) (i henhold til EN 60335-2-79)	Ljudtryknivå (L_{pA}) (i enlighet med EN 60335-2-79)	Äänenpainetaso (L_{pA}) (standardin EN 60335-2-79 -standardin mukaan)	Lydtryknivå (L_{pA}) (i henhold til EN 60335-2-79)	Акустическое давление (L_{pA}) (в соответствии со стандартом EN 60335-2-79)	69 dB(A)
Incerteza	Usikkerhed	Osäkerhet	Epätarkkuus	Usikkerhet	Погрешность	3 dB
Nível da potência sonora (L_{WA}) (de acordo com a norma EN 60335-2-79)	Lydeffektniveau (L_{WA}) (i henhold til EN 60335-2-79)	Ljudnivå (L_{WA}) (i enlighet med EN 60335-2-79)	Ääniteho (L_{WA}) (standardin EN 60335-2-79 -standardin mukaan)	Lydeffektnivå (L_{WA}) (i henhold til EN 60335-2-79)	Уровень звуковой мощности (L_{WA}) (в соответствии со стандартом EN 60335-2-79)	83 dB(A)
Incerteza	Usikkerhed	Osäkerhet	Epätarkkuus	Usikkerhet	Погрешность	3 dB
Nível de vibração (de acordo com a norma EN 60335-2-79)	Vibrationsniveau (i henhold til EN 60335-2-79)	Vibrationsnivå (i enlighet med EN 60335-2-79)	Tärinätaaso (standardin EN 60335-2-79 -standardin mukaan)	Vibrasjonsnivå (i henhold til EN 60335-2-79)	Уровень вибрации (в соответствии со стандартом EN 60335-2-79)	< 2.5 m/s ²
Incerteza	Usikkerhed	Osäkerhet	Epätarkkuus	Usikkerhet	Погрешность	1.5 m/s ²
Comprimento máximo do tubo de sucção	Maksimal længde på sugeslangen	Max sugslangslängd	Imuletkun enimmäispituus	Maksimal sugeslangelengde	Максимальная длина всасывающего шланга	6 m
Diâmetro mínimo interior da mangueira de jardim	Haveslangens minste indre diameter	Trädgårdsslansens minsta innerdiameter	Puutarhaletkun sisähalkaisijan vähimmäismitta	Hageslangens minste innvendige diameter	Минимальный внутренний диаметр садового шланга	8 mm

Português	Dansk	Svenska	Suomi	Norsk	Русский	
Bateria e carregador	Batteri og oplader	Batteri och batteriladdare	Akku ja laturi	Batteri og lader	Аккумуляторная батарея и зарядное устройство	
Modelo	Model	Modell	Malli	Modell	Модель	RY36PWX41A-0
Bateria	Batteri	Batteri	Akku	Batteri	Аккумулятор	-
Carregador	Oplader	Batteriladdare	Laturi	Lader	Зарядное устройство	-
Baterias compatíveis	Kompatible batterier	Kompatibla batteripaket	Yhteensopivat akut	Kompatible batteripakker	Совместимая аккумуляторная батарея	BPL36.., RY36B..
Carregador compatível	Kompatibel oplader	Kompatibel laddare	Yhteensopiva laturi	Kompatibel lader	Совместимое зарядное устройство	RY36C..





Polски	Čeština	Magyar	Română	Latviski	Lietuviškai	Eesti
Parametry techniczne	Technické údaje produktu	Termék műszaki adatai	Specificațiile produsului	Produkta specifikācijas	Gaminio techninės savybės	Toote tehnilised andmed
Bezprzewodowa myjka ciśnieniowa	Akumulátorový vysokotlaký čistič	Akkumulátoros magasnyomású mosó	Curățător de înaltă presiune cu acumulator	Akumulatoru augstspiediena mazgātājs	Akumulatorinis slėginis valytuvus	Juhtmeta survepesur
Model	Model	Típus	Model	Modelis	Modelis	Mudel
Napięcie znamionowe	Jmenovité napětí	Névleges feszültség	Tensiunea nominală	Nominālais spriegums	Nominali įtampa	Nimipinge
Masa	Hmotnost	Súly	Greutate	Svars	Svoris	Kaal
Ciśnienie maksymalne	Maximální tlak	Legnagyobb nyomás	Presiune maximă	Maksimālais spiediens	Maksimalus slėgis	Maksimaalne surve
Ciśnienie znamionowe	Jmenovitý tlak	Névleges nyomás	Presiune nominală	Nominālais spiediens	Nominalusis slėgis	Nimirohk
Stopień ochrony	Stupeň krytí	Védelem foka	Gradul de protecție	Aizsardzības pakāpe	Apsaugos laipsnis	Kaitseklass
Znamionowe natężenie przepływu	Jmenovitý průtok	Névleges áramlás	Debit nominal	Nominālā plūsma	Vardinis srautas	Nominaalne vooluhulk
Maksymalne natężenie przepływu	Maximální proud	Legnagyobb áramlás	Debit maxim	Maksimālā plūsma	Maksimalus srautas	Maksimaalne voolavus
Maksymalne ciśnienie wody na wlocie	Maximální vstupní tlak vody	Maximális bemeneti víznyomás	Presiune maximă de aspirare apă	Maksimālais ūdens padeves spiediens	Maksimalus tiekiamo vandens slėgis	Sissetuleva vee maksimaalne rõhk
Maksymalna wysokość ssania	Maximální sací výška	Maximális szívómagasság	Înălțime maximă de aspirare	Maksimālais sūkšanas augstums	Maksimalus siurbimo aukštis	Maksimaalne imemiskõrgus
Poziom ciśnienia akustycznego (L_{pA}) (zgodnie z normą EN 60335-2-79)	Úroveň akustického tlaku (L_{pA}) (v souladu s EN 60335-2-79)	Hangnyomás szintje (L_{pA}) (a EN 60335-2-79 szerint)	Nivel de presiune acustică (L_{pA}) (în conformitate cu EN 60335-2-79)	Skaņas spiediena līmenis (L_{pA}) (saskaņā ar EN 60335-2-79)	Akustinio slėgio lygis (L_{pA}) (pagal EN 60335-2-79)	Helirõhk (L_{pA}) (vastavalt standardile EN 60335-2-79)
Niepewność pomiaru	Nejistota	Bizonytalanság	Incertitudine	NeNOTEIKTĪBA	Nepastovumas	Määramatus
Poziom natężenia akustycznego (L_{WA}) (zgodnie z normą EN 60335-2-79)	Hladina akustického výkonu (L_{WA}) (v souladu s EN 60335-2-79)	Hangteljesítményszint (L_{WA}) (a EN 60335-2-79 szerint)	Nivel de putere a zgomotului (L_{WA}) (în conformitate cu EN 60335-2-79)	Skaņas jaudas līmenis (L_{WA}) (saskaņā ar EN 60335-2-79)	Garso galingumo lygis operatoriaus ausims (L_{WA}) (pagal EN 60335-2-79)	Helivõimsuse tase (L_{WA}) (vastavalt standardile EN 60335-2-79)
Niepewność pomiaru	Nejistota	Bizonytalanság	Incertitudine	NeNOTEIKTĪBA	Nepastovumas	Määramatus
Poziom vibracji (zgodnie z normą EN 60335-2-79)	Úroveň vibrací (v souladu s EN 60335-2-79)	Vibrációs szint (a EN 60335-2-79 szerint)	Nivel de vibrație (în conformitate cu EN 60335-2-79)	Vibrācijas līmenis (saskaņā ar EN 60335-2-79)	Vibracijos lygis (pagal EN 60335-2-79)	Vibratsioonitase (vastavalt standardi EN 60335-2-79)
Niepewność pomiaru	Nejistota	Bizonytalanság	Incertitudine	NeNOTEIKTĪBA	Nepastovumas	Määramatus
Maksymalna długość przewodu ssania	Maximální délka sací hadice	Szívótömlő maximális hossza	Lungime maximă furtun de aspirare	Sūkšanas caurules maksimālais garums	Maksimalus siurbimo žarnos ilgis	Imemisvooliku maksimaalne pikkus
Minimalna średnica wewnętrzna węża ogrodowego	Minimální vnitřní průměr zahradní hadice	A locsolótömlő legkisebb belső átmérője	Diametru interior minim al furtunului de grădină	Minimālais dārza šūtenes iekšējais diametrs	Minimalus vidinis sodo žarnos skersmuo	Aiavooliku minimaalne sisemine läbimõõt

Polски	Čeština	Magyar	Română	Latviski	Lietuviškai	Eesti
Akumulator i ładowarka	Nabiječka a baterie	Akkumulátor és töltő	Bateria și încărcătorul	Akumulators un lādētājs	Akumulatorius ir įkroviklis	Aku ja laadija
Model	Model	Típus	Model	Modelis	Modelis	Mudel
Akumulator	Baterie	Akkumulátor	Acumulator	Akumulators	Baterija	Aku paketiga
Ładowarka	Nabiječka	Töltő	Încărcător	Lādētājs	Įkroviklis	Laadija
Pasujące akumulatory	Kompatibilni akumulátory	Kompatibilis akkumulátorok	Acumulatori compatibili	Savietojami akumulatoru komplekti	Suderinami baterijos paketai	Ühilduvad akupaketid
Zgodna ładowarka	Kompatibilni nabiječka	Kompatibilis töltő	Încărcător compatibil	Saderīgs lādētājs	Suderinamas įkroviklis	Ühilduv laadija





Hrvatski	Slovenščina	Slovenčina	България	Українська	Türkçe	
Specifikacije proizvoda	Specifikacije izdelka	Špecifikácie produktu	Технически характеристики	Технічні характеристики пристрою	Ürün teknik özellikleri	
Bežični visokotlačni čistač	Brežični visokotlačni čistilec	Akumulátorový vysokotlakový čistič	Безжична електрическа водоструйка	Бездротова мийка	Kablosuz yüksek basınçlı temizleyici	
Model	Model	Modelis	Модел	Модель	Model	RY36PWX41A
Nazivni napon	Nazivna napetost	Menovité napätie	Номинален волтаж	Номинальна напруга	Nominal voltaj	36 V d.c.
Težina	Teža	Hmotnosť	Тегло	Вага	Ağırlık	2,4 kg
Maksimalni tlak	Najvišji tlak	Maximálny tlak	Максимално налягане	Максималний тиск	Maksimum basınç	55 bar
Nazivni tlak	Nazivni tlak	Menovitý tlak	Номинално налягане	Номинальний тиск	Ölçülmüş basınç	41 bar
Stupanj zaštite	Stopnja zaščite	Stupeň ochrany	Степен на защита	Рівень захисту	Koruma derecesi	IPX5
Nazivni protok	Nazivni pretok	Menovitý prietok	Номинален разход	Номинальний потік	Ölçülmüş akış	160 L/h
Maksimalni protok	Največji pretok	Maximálny prietok	Максимален дебит	Максималний потік	Maksimum akış	270 L/h
Maksimalni ulazni tlak vode	Najvišji tlak vode na dotoku	Maximálny tlak vody na prívode	Максимално налягане на входящата вода	Макс. Впуският тиск води	Maks. Giriş su basıncı	1,0 MPa (10 bar)
Maksimalna visina usisa	Največja višina sesanja	Maximálna sacia výška	Максимална височина на засмукване	Максимална висота всмоктывання	Maksimum emme yüksekliği	1,2 m
Razina pritiska zvuka (L_{pA}) (u skladu s EN 60335-2-79)	Raven zvočnega tlaka (L_{pA}) (skladno z EN 60335-2-79)	Úroveň akustického tlaku (L_{pA}) (podľa normy EN 60335-2-79)	Ниво на шумово налягане (L_{pA}) (в съответствие с EN 60335-2-79)	Рівень звукового потужності (L_{pA}) (відповідно до EN 60335-2-79)	Ses basıncı seviyesi (L_{pA}) (EN 60335-2-79 uyarınca)	69 dB(A)
Neodređenost	Negotovost	Neurčitost	Променливост	Похибка	Belirsiz	3 dB
Razina zvučne snage (L_{WA}) (u skladu s EN 60335-2-79)	Raven zvočne moči (L_{WA}) (skladno z EN 60335-2-79)	Hladina akustického výkonu (L_{WA}) (podľa normy EN 60335-2-79)	Ниво на шумово налягане (L_{WA}) (в съответствие с EN 60335-2-79)	Рівень звукової потужності (L_{WA}) (відповідно до EN 60335-2-79)	Ses gücü seviyesi (L_{WA}) (EN 60335-2-79 uyarınca)	83 dB(A)
Neodređenost	Negotovost	Neurčitost	Променливост	Похибка	Belirsiz	3 dB
Razina vibracija (u skladu s Dodatkom B EN 60335-2-79)	Nivo vibracij (skladno z EN 60335-2-79)	Úroveň vibrácií (podľa normy EN 60335-2-79)	Ниво на вибрациите (в съответствие с EN 60335-2-79)	Рівень вібрації (відповідно до EN 60335-2-79)	Titreşim seviyesi (EN 60335-2-79 uyarınca)	< 2.5 m/s ²
Neodređenost	Negotovost	Neurčitost	Променливост	Похибка	Belirsiz	1.5 m/s ²
Maksimalna duljina usisnog crijeva	Največja dolžina sesalne cevi	Maximálna dĺžka sacej hadice	Максимална дължина на смукателния маркуч	Максимална довжина шлангу для всмоктывання	Maksimum emme hortumu uzunluğu	6 m
Minimalan unutarnji promjer vrtnog crijeva	Najmanjši notranji premer vrtno cevi	Minimálny vnútorný priemer záhradnej hadice	Минимален вътрешен диаметър на градинския маркуч	Мінімальний внутрішній діаметр садового шлангу	Minimum bahçe hortumu iç çapı	8 mm

Hrvatski	Slovenščina	Slovenčina	България	Українська	Türkçe	
Baterija i punjač	Baterija in polnilnik	Akumulátor a nabíjačka	Батерия и зарядно устройство	Акумулятор і зарядний пристрій	Pil ve şarj cihazı	
Model	Model	Modelis	Модел	Модель	Model	RY36PWX41A-0
Baterija	Akumulator	Batéria	Батерия	Акумуляторна батерия	Pil	-
Punjač	Polnilec	Nabíjačka	Зарядно устройство	Зарядний пристрій	Şarj cihazı	-
Kompatibilna pakiranja baterija	Združljive baterije	Kompatibilné jednotky akumulátorov	Съвместими батерии	Сумісні акумуляторні блоки	Uyumlu pil takımları	BPL36... RY36B..
Kompatibilni punjači	Združljivi polnilec	Kompatibilná nabíjačka	Съвместимо зарядно устройство	Сумісний зарядний пристрій	Uyumlu şarj cihazı	RY36C..





English	Français	Deutsch	Español	Italiano	Nederlands
Accessories	Accessoires	Zubehör	Accesorios	Accessori	Accessoires
20L Water Bag	Poche d'eau de 20 litres	20l-Wasserbeutel	Bolsa de agua de 20 litros	Sacca dell'acqua da 20 L	20 l Waterzak
Stone Detergent	Détergent pour pierres	Steinreiniger	Detergente para piedra	Detergente per la pietra	Reinigingsmiddel voor steen
Foam Detergent	Détergent moussant	Schaumreiniger	Detergente de espuma	Detergente schiuma	Schuimvormend reinigingsmiddel
Universal Detergent	Détergent universel	Universalreinigungsmittel	Detergente universal	Detergente universale	Universeel reinigingsmiddel
Wood Detergent	Détergent pour bois	Holzreiniger	Detergente para madera	Detergente per il legno	Reinigingsmiddel voor hout
Detergent Bottle	Bouteille de détergent	Reinigungsmittelflasche	Botella para detergente	Fiacone di detergente	Reinigingsmiddelfles
Wheel Brush	Roue de brosse	Radbürste	Cepillo para llantas	Spazzola a ruote	Borstelschijf
Multipurpose Brush	Brosse multi-usage	Mehrzweckbürste	Cepillo multiusos	Spazzola multiuso	Multifunctionele borstel
2L Bottle Adapter	Adaptateur de bouteille	Adapter für 2l-Flaschen	Adaptador para botella de 2 litros	Adattatore flacone da 2L	2 l Flesadapter
Misting Kit	Kit de brumisation	Zerstäuber-Kit	Kit de rociado	Kit di nebulizzazione	Vernevelingsset
Squeegee	Raclette	Fensterputzer	Escurridor	Lavavetri	Raamtrekker
Pivoting adaptor	Adaptateur pivotant	Schwenkadapter	Adaptador pivotante	Adattatore girevole	Zwenkbare adapter
Rinsing nozzle	Embout de rinçage	Sprühdüse	Boquilla de enjuague	Ugello di risciacquo	Spoelmondstuk
Extension pole	Perche rallonge	Teleskopstange	Barra extensora	Asta telescopica	Verlengpaal
Extension syphoning kit	Kit de rallonge pour siphon	Absaugungsverlängerungsset	Kit de sifón de extensión	Kit sifone allungabile	Sifonextensie set
Quick connect kit	Kit de connexion rapide	Schnellverbinder-Set	Kit de conexión rápida	Kit di collegamento rapido	Snelkoppelingsset
3-in-1 nozzle	Embout 3 en 1	3-in-1-Düse	Boquilla 3-en-1	Ugello 3-in-1	3-in-1 sproeikop



Polski	Čeština	Magyar	Română	Latviski	Lietuviškai	Eesti
Akcesoria	Prišiušentvi	Kiegészítők	Accesorii	Piederumi	Priedai	Tarvikud
Buklak na wodę 20 l	20l vak na vodu	20 l-es víztartály	Recipient de apă de 20L	20L ūdens maiss	20 l talpos vandens maišas	20 l veekott
Detergent do kamienia	Čistící prostředek na kámen	Kővezet-tisztítószer	Detergent pentru suprafețe de piatră	Mazgāšanas līdzeklis akmenim	Akmens ploviklis	Kivipuhastusvahend
Detergent pieniący się	Pěnivý čisticí prostředek	Habos tisztítószer	Detergent cu spumare	Putojošs mazgāšanas līdzeklis	Putojantis ploviklis	Vahutav puhastusvahend
Detergent uniwersalny	Univerzální čisticí prostředek	Univerzális tisztítószer	Detergent universal	Universālais mazgāšanas līdzeklis	Universālis ploviklis	Univerasaalne puhastusvahend
Detergent do drewna	Čistící prostředek na dřevo	Fatisztítószer	Detergent pentru lemn	Mazgāšanas līdzeklis kokam	Medienos ploviklis	Puidupuhastusvahend
Butelka na detergent	Lahev na saponāt	Tisztítószeres palack	Sticlă de detergent	Mazgāšanas šķiduma pudele	Ploviklio indas	Puhastusvahendi pudel
Szczotka obrotowa	Otočný kartáč	Forgókefe	Perie rotativă	Rotējošā birste	Sukamasis šepetys	Pöörhari
Szczotka wielofunkcyjna	Univerzální kartáč	Többcélú kefe	Perie multifuncțională	Plaša pielietojuma birste	Universālis šepetys	Mitmeotstarbeline hari
Adapter butli 2 l	Adapter na 2l lahev	2 l-es palackadapter	Adaptor sticlă de 2L	2L pudeles adapteris	2 l talpos indo adapteris	2 l pudeli adapter
Zestaw do zamglawiania	Rosicí sada	Páraszóró fej	Trusă nebulizator	Miglošanas komplekts	Duļsknos skeidimo rinkinys	Udutuskomplekt
Ściagaczka	Stěrka	Gumihenger	Capăt de aspirare	Gumijas skrāpis	Valytuvas	Veekaabits
Adapter obrotowy	Otočný adaptér	Elfördítható adapter	Adaptor pivotant	Pagriežams adapteris	Šarmyrinis adapteris	Pöörlev adapter
Dysza splukująca	Oplachovací tryska	Obitófúvóka	Duză clătire	Skalošanas sprausla	Skalavimo antgalis	Loputusotsik
Drażek przedłużający	Prodlužující násada	Hosszabbító rúd	Stâlp prelungitor	Pagarinājums	Paiglinimo strypas	Pikendusvarras
Zestaw syfonu przedłużającego	Sada prodlužovacích trysek	Hosszabbító szivócső készlet	Kit de sifonare cu prelungire	Pagarinājuma pārliešanas komplekts	Ilginamojo pumpavimo įtaiso rinkinys	Sifooni pikenduskomplekt
Zestaw szybkozłączki	Sada rychlospojek	Gyors csatlakozókészlet	Kit de conectare rapidă	Ātrās savienošanas komplekts	Greitojo prijungimo rinkinys	Kiirühenduse komplekt
Dysza „3 w 1”	Tryska 3-v-1	Háromfunkciós fúvóka	duză 3-in-1	3-in-1 sprausla	Antgalis „trys viename”	3-ühes-otsak





Português	Dansk	Svenska	Suomi	Norsk	Русский	
Acessórios	Tilbehør	Tillbehör	Lisälaiteet	Tilbehør	Принадлежности	
Saco de água de 20 L	20 L vandpose	20 liters vattenpåse	20 litran vesisäiliö	20 l vannpose	Резервуар для воды 20 л	RAC717
Detergente para pedra	Stenrensemiddel	Rengöringsmedel för sten	Kivipesuaine	Steinrengjøringsmiddel	Средство для очистки каменных поверхностей	RAC731
Detergente em espuma	Skumrensemiddel	Skumrengöringsmedel	Vaahtopesuaine	Skumrengjøringsmiddel	Пенный очиститель	RAC732
Detergente universal	Universalrensemiddel	Universalrengöringsmedel	Yleispesuaine	Universalt rengjøringsmiddel	Универсальное чистящее средство	RAC733
Detergente para madeira	Trærensemiddel	Rengöringsmedel för trä	Puupesuaine	Trerengjøringsmiddel	Средство для очистки деревянных поверхностей	RAC734
Garrafa de detergente	Flaske med rengøringsmiddel	Rengöringsmedelsflaska	Pesuinapullo	Rengjøringsmiddelflaske	Бутылка для моющего средства	RAC748
Disco de escova de arame	Hjulbørste	Hjulborste	Vanneharja	Hjulbørste	Круглая щетка	RAC749
Escova multiusos	Universalbørste	Multifunktionsbørste	Monikäyttöharja	Universalbørste	Универсальная щетка	RAC750
Adaptador para garrafa de 2 L	2 L flaskeadapter	2 liters flaskadapter	2 litran pullosovitin	2 l flaskeadapter	Адаптер для бутылки 2 л	RAC751
Kit de nebulização	Tågesæt	Dimningsatts	Sumutussarja	Tåkesett	Комплект системы туманообразования	RAC754
Rodo	Skraber	Skrapa	Lasta	Nal	Резиновый валик	RAC763
Adaptador rotativo	Drejelig adapter	Svängbar adapter	Pyörivä sovitin	Svingadapter	Поворотный адаптер	RAC764
Bocal de enxaguamento	Rensedyse	Sköljmunstycke	Huuhtelusutin	Skyldedyse	Промывочное сопло	RAC765
Barra extensora	Forlængerstang	Förlängningsstav	Jatkovarsi	Forlengelseeskraft	Удлинительная штанга	RAC768
Kit de sífoes da extensão	Udvidelse til hævertssæt	Sats för förlängd uppsugning	Jatkosifonisarja	Forlengelse sifongsett	Комплект удлинителя сифона	RAC769
Kit de ligação rápida	Hurtigkoblingssæt	Snabbkopplingsatts	Pikakiinnityspaketti	Hurtigtilkoblingssett	Комплект быстрого подключения	RAC770
Bico 3 em 1	3-i-1-dyse	Munstycke 3-i-1	3-in-1-suutin	3-i-1-dyse	Насадка 3-в-1	RAC771



Hrvatski	Slovenščina	Slovenčina	България	Українська	Türkçe	
Pribor	Dodatki	Prisluštenstvo	Приспособления	Приладдя	Aksesuarlar	
Vreća za vodu od 20 l	Vodna vreća 20 L	20-litrový vak na vodu	Контейнер за вода 20 L	Бак для води ємністю 20 л	20L Su Torbasi	RAC717
Deterđzent za čišćenje kamena	Detergent za kamen	Detergent na čistenie kameňa	Препарат за камък	Миочий засіб для камення	Taş Deterjanı	RAC731
Deterđzent s pjenom	Peneči se detergent	Penový detergent	Препарат за пяна	Миочий засіб	Köpüklü Deterjan	RAC732
Univerzalni deterđzent	Univerzalni detergent	Univerzálny detergent	Универсален препарат	Універсальний миочий засіб	Universal Deterjan	RAC733
Deterđzent za čišćenje drvenih površina	Detergent za les	Detergent na čistenie dreva	Препарат за дърво	Миочий засіб для деревини	Ahşap Deterjanı	RAC734
Boca za deterđzent	Posoda z detergentom	Fľaša na detergent	Бутылка за препарат	Бачок для миочого засобу	Deterjan Şişesi	RAC748
Rotacijska četka	Krožna krtača	Rotačná kefa	Въртяща се четка	Ротацийна щітка	Döner fırça	RAC749
Višenamjenska četka	Večnamenska krtača	Viacúčelová kefa	Мультифункционална четка	Багатоціпова щітка	Çok Amaçlı Fırça	RAC750
Adapter za boce od 2 l	Adapter za posodo 2 L	Adaptér na 2-litrovú fľašu	Адаптер за бутылка 2 L	Адаптер для бачка ємністю 2 л	2L Şişe Adaptörü	RAC751
Komplet za zamagljivanje	Komplet za zamagljevanje	Súprava na aplikovanie hmly	Комплект за охлаждане	Комплект для туманоутворення	Buğulandırma Kiti	RAC754
Brisač	Otrnalnik	Stierka	Гумена ролка	Скребок	Sıkmaç	RAC763
Okretni adapter	Vrtljivi adapter	Adaptér otáčania	Въртящ се адаптер	Поворотний адаптер	Döner adaptör	RAC764
Mlaznica za ispiranje	Šoba za spiranje	Oplachová dýza	Дюза за изплакване	Насадка для промивання	Durulama nozulu	RAC765
Prođužni priključak	Podajššek	Predĺžovacia tyč	Удължител	Подовжувальне держало	Uzatma çubuğu	RAC768
Prođužni komplet za sifoniranje	Komplet odočnega podajšška	Odsávanie s predĺžením	Набор за сифон за удължаване	Подовжувач для продувки	Uzatma borusu kiti	RAC769
Komplet za brzo spajanje	Komplet za hitro priključitev	Súprava na rýchle spojenie	Комплект за бързо свързване	Комплект швидкого підключення	Hızlı bağlanti kiti	RAC770
Mlaznica 3 u 1	Šoba 3-v-1	Dýza 3-v-1	Дюза 3-в-1	Насадка 3-в-1	3 fonksiyonlu nozul	RAC771



EN

⚠ WARNING

The declared vibration total values and the declared noise emission values given in this instruction manual have been measured in accordance with a standardised test and may be used to compare one tool with another. They may be used for a preliminary assessment of exposure.

The declared vibration and noise emission values represent the main applications of the tool. However, if the tool is used for different applications, used with different accessories, or poorly maintained, the vibration and noise emission may differ. These conditions may significantly increase the exposure levels over the total working period. An estimation of the level of exposure to vibration and noise should take into account the times when the tool is turned off or when it is running idle. These conditions may significantly reduce the exposure level over the total working period.

Identify additional safety measures to protect the operator from the effects of vibration and noise, such as maintaining the tool and the accessories, keeping the hands warm (in case of vibration), and organising work patterns.

FR

⚠ AVERTISSEMENT

Le niveau total de vibrations et le niveau total d'émissions sonores déclarés indiqués dans ce manuel d'instruction ont été mesurés selon une méthode de test normalisée et peut servir de référence pour comparer les outils entre eux. Ils peuvent servir d'évaluation préliminaire à l'exposition.

Les niveaux d'émissions sonores et de vibrations déclarés représentent les principales applications de l'outil. Toutefois, si l'outil est utilisé pour des applications différentes ou des accessoires différents, ou s'il est mal entretenu, les vibrations émises peuvent varier. Ces facteurs pourraient augmenter considérablement les niveaux d'exposition sur la durée totale d'utilisation. Une estimation du niveau d'exposition aux vibrations et du bruit doit aussi prendre en compte les périodes durant lesquelles l'outil est éteint ou lorsqu'il fonctionne à vide. Ces facteurs pourraient réduire considérablement le niveau d'exposition sur la durée totale d'utilisation.

Identifiez toute mesure de sécurité supplémentaire à observer pour protéger l'opérateur des effets des vibrations et du bruit, comme l'entretien de l'outil et des accessoires, le maintien au chaud des mains (en cas de vibrations), et l'élaboration de schémas de pulvérisation.

DE

⚠ WARNUNG

Die in dieser Anleitung deklarierten Gesamtwerte der Schwingungsemission und die deklarierten Werte der Geräuschemission wurden gemäß einer standardisierten Testmethode gemessen und können verwendet werden, um Werkzeuge miteinander zu vergleichen. Sie können für eine vorläufige Beurteilung der Belastung verwendet werden.

Die deklarierten Werte für Schwingungs- und Geräuschemission treffen auf die Hauptanwendung des Werkzeugs zu. Wenn jedoch das Werkzeug für verschiedene Anwendungen oder mit unterschiedlichem Zubehör genutzt wird oder schlecht gewartet ist, kann die Schwingungs- und Geräuschemission variieren. Diese Bedingungen können das Belastungsniveau über die gesamte Arbeitszeit deutlich steigern. Eine Schätzung der Schwingungsbelastung sollte auch die Zeiten berücksichtigen, in denen das Werkzeug ausgeschaltet ist oder im Leerlauf läuft. Diese Bedingungen können das Belastungsniveau über die gesamte Arbeitszeit deutlich reduzieren.

Legen Sie zusätzliche Sicherheitsmaßnahmen fest, um den Bediener vor den Auswirkungen von Schwingung und Geräuschen zu schützen, z. B. Warten des Geräts und der Zubehöreile, Warmhalten der Hände (bei Schwingung) und Organisieren der Tätigkeiten.

ES

⚠ ADVERTENCIA

Los valores totales de emisión de vibración declarados y los valores de emisiones de ruido declarados que se indican en este manual de instrucciones se han calculado según lo establecido en una prueba estandarizada y se pueden utilizar para comparar una herramienta con otra. Se pueden utilizar para una evaluación preliminar de exposición.

Los valores declarados de emisión de vibración y ruido representan las aplicaciones principales de la herramienta. No obstante, si la herramienta se utiliza para diferentes aplicaciones, con distintos accesorios o con un mantenimiento deficiente, la emisión de vibración y ruido podría diferir. Estas condiciones podrían aumentar significativamente los niveles de exposición sobre el periodo de funcionamiento total. Una estimación del nivel de exposición a la vibración y el ruido debería también tenerse en cuenta cuando la herramienta está apagada o cuando funciona a baja intensidad. Estas condiciones podrían reducir significativamente el nivel de exposición sobre el periodo de funcionamiento total.

Identifique cualquier medida de protección adicional para proteger al operario de los efectos de la vibración y el ruido, como el mantenimiento de la herramienta y los accesorios, mantener las manos calientes (en caso de vibración) y la organización de los patrones de trabajo.

IT

⚠ AVVERTENZE

Il livello di emissioni di vibrazioni riportato in questa scheda informativa è stato misurato con un metodo di prova standardizzata ed è utilizzabile per confrontare gli utensili fra di loro. Questi possono essere usati per una valutazione preliminare dell'esposizione.

I valori di emissione di rumori e vibrazioni rappresentano le principali applicazioni dello strumento. Tuttavia, se l'utensile viene utilizzato in applicazioni differenti, con differenti accessori o con scarsa manutenzione, l'emissione di vibrazioni e rumori può essere diversa. Queste condizioni possono significativamente aumentare il livello di esposizione nel periodo di lavoro totale. Una stima del livello di esposizione alle vibrazioni e ai rumori va presa in considerazione anche quando l'utensile viene spento oppure è in funzione a folle. Queste condizioni possono significativamente ridurre il livello di esposizione nel periodo di lavoro totale.

Identificare le misure di sicurezza aggiuntive per proteggere l'operatore dagli effetti di vibrazioni e rumori, come la manutenzione di strumento e accessori, mantenendo le mani calde (in caso di vibrazione) e le modalità di lavoro.

NL

⚠ WAARSCHUWING

Het gespecificeerde totale trillingswaarden en geluidsemissiewaarden in deze instructiehandleiding zijn gemeten overeenkomstig een gestandaardiseerde test en kunnen worden gebruikt om gereedschappen met elkaar te vergelijken. Ze kunnen worden gebruikt voor een voorafgaande beoordeling van blootstelling.

De gespecificeerde trillings- en geluidsemissiewaarden vertegenwoordigen de belangrijkste toepassingen van het gereedschap. Als het gereedschap echter voor andere toepassingen of met andere accessoires wordt gebruikt slecht wordt onderhouden, kunnen de trillings- en geluidsemissiewaarden afwijken. Deze omstandigheden kunnen het blootstellingsniveau over de gehele gebruiksperiode aanzienlijk verhogen. Een schatting van het niveau van blootstelling aan trillingen en geluid dient ook rekening te houden met de perioden dat het gereedschap is uitgeschakeld of is ingeschakeld maar niet wordt gebruikt. Deze omstandigheden kunnen de blootstellingsniveaus over de gehele gebruiksperiode aanzienlijk verhogen.

Stel aanvullende veiligheidsmaatregelen vast om de gebruiker te beschermen tegen de effecten van trillingen en geluid, zoals onderhoud van het gereedschap en de accessoires, het warm houden van de handen (in geval van trillingen) en het organiseren van werkpatronen.

PT

⚠ AVISO

Os valores de vibração totais declarados e o nível de emissão de ruído dado nesta ficha de informações foi medido de acordo com um teste normalizado e pode ser utilizado para fazer comparações entre ferramentas. Podem ser utilizados para uma avaliação preliminar da exposição.

O nível declarado de emissão de vibrações e ruído representa as aplicações principais da ferramenta. Contudo, se a ferramenta for utilizada para várias aplicações, com diferentes acessórios ou se receber manutenção insuficiente, a emissão de vibrações e ruído pode ser diferente. Estas condições podem aumentar significativamente o nível de exposição ao longo do período total de trabalho. Uma estimativa do nível de exposição às vibrações e ruído deverá também levar em conta os tempos que a ferramenta está desligada ou que está a funcionar mas sem estar a ser utilizada para trabalho. Estas condições podem reduzir significativamente o nível de exposição ao longo do período total de trabalho.

Identifique medidas de segurança adicionais para proteger o operador dos efeitos da vibração e ruído, tal como a manutenção da ferramenta e dos acessórios, manter as mãos quentes (em caso de vibração) e organizar padrões de trabalho.

DA

⚠ ADVARSEL

Vibrations- og støjemissionsværdierne, der er angivet i denne vejledning er målt i overensstemmelse med en standardiseret test og kan bruges til at sammenligne et værktøj med et andet. De kan bruges til en foreløbig vurdering af udsættelse.

De angivne vibrations- og støjemissionsværdier repræsenterer værktøjets hovedanvendelser. Hvis værktøjet imidlertid anvendes til andre formål med forskellig tilbehør eller er dårligt vedligeholdt, kan vibrations- og lydmissionen afvige. Disse forhold kan i væsentlig grad forøge udsættelsesniveauet over den samlede arbejdsperiode. Et overblik over udsættelsesniveauet for vibrationer og støj bør også tage højde for de gange, hvor værktøjet er slukket, eller når det kører i tomgang. Disse forhold kan i betragtelig omfang reducere udsættelsesniveauet over den samlede arbejdsperiode.

Find yderligere sikkerhedsforanstaltninger, der kan beskytte operatøren mod virkningerne af vibrationer og støj, såsom vedligeholdelse af værktøjet og tilbehøret, holde hænderne varme (i tilfælde af vibrationer) og organisering af arbejdsmonster.

SV**⚠ VARNING**

De angivna totala vibrations- och bulleremissionsvärdena som anges i denna instruktionsmanual har uppmätts i enlighet med ett standardiserat test och kan användas för att jämföra olika verktyg. De kan användas för en preliminär bedömning av exponering.

De angivna vibrations- och bulleremissionsvärdena representerar verktygets huvudsakliga användningsområden. Om verktyget emellertid används i andra tillämpningar, med andra tillbehör eller underhålls bristfälligt, kan vibrationer och bulleremission skilja sig från de angivna. Dessa förhållanden kan öka exponeringsnivåerna under den totala arbetsperioden avsevärt. En uppskattning av exponeringsnivån för vibrationer och buller bör även ta med i beräkningen de tider då verktyget är avstängt eller när det är igång men inte används i arbete. Dessa förhållanden kan minska exponeringsnivån under den totala arbetsperioden avsevärt.

Identifiera ytterligare säkerhetsåtgärder för att skydda operatören från effekterna av vibrationer och buller, såsom att underhålla verktyget och tillbehören, hålla händerna varma (i händelse av vibrationer) och organisera arbetsmönster.

FI**⚠ VAROITUS**

Tässä ohjekäsikirjassa tänäkin annettu kokonaisarvo ja ilmoitettu melupäästöarvo on mitattu standardoiduin kokein mukaisesti, ja niitä voidaan käyttää työkalujen vertaamiseen toisiinsa. Niitä voidaan käyttää alitustumisen alustavaan arvioimiseen.

Ilmoitetut värinä- ja melupäästöarvot koskevat työkalun pääkäyttötarkoituksia. Värinäpäästö voi kuitenkin vaihdella, jos työkalua käytetään eri käyttötarkoituksiin, eri tarvikkeilla tai huonosti huollettuina. Mainitut olosuhteet saattavat nostaa alitustumistasoa huomattavasti kokonaistyöajaksi aikana. Värinän ja melun alitustumistason arviointi tulisi ottaa huomioon myös silloin, kun työkalu on kytetty pois päältä tai kun se on käynnissä, mutta sitä ei varsinaisesti käytetä. Mainitut olosuhteet saattavat vähentää huomattavasti alitustumistasoa kokonaistyöajaksi aikana.

Lisävaroitimenpiireillä, kuten työkalun ja lisävarusteiden huoltamisella, käsien lämpimänä pitämisellä (värinän tapauksessa) ja työmallien järjestämisellä, voit suojella käyttäjä värinältä ja melulta.

NO**⚠ ADVARSEL**

De erklærte totale vibrasjonsverdiene og de erklærte støytstøttsverdiene gitt i denne brukerhåndboken har blitt målt i samsvar med en standardisert test og kan brukes til å sammenligne ett verktøy med ett annet. De kan brukes for en preliminær vurdering av eksponering.

De opplyste vibrasjons- og støytstøttsverdiene representerer verktøyets hovedbruksområder. Men hvis verktøyet brukes til ulike bruksområder, brukes med ulike tilbehør eller vedlikeholdet er dårlig, kan vibrasjons- og støytstøttsverdiene forskjellig. Disse forholdene kan øke eksponeringsnivået betraktelig i løpet av hele arbeidsperioden. En vurdering av eksponeringsnivået for vibrasjon og støyt skal ta hensyn til de gangene verktøyet er slått av eller går på tomgang. Disse forholdene kan betydelig redusere eksponeringsnivået over den totale arbeidsperioden.

Identifiser ytterligere sikkerhetstiltak for å beskytte operatøren mot virkningen av vibrasjon og støyt, slik som å vedlikeholde verktøyet og tilbehøret, holde hendene varme (i tilfelle vibrasjon) eller organisere arbeidsmønstre.

RU**⚠ ОСТОЖО**

Заявленные данные о совокупном уровне вибрационного и шумового воздействия, указанные в настоящем руководстве, получены в ходе стандартизированных исследований и могут использоваться для сравнения инструментов. Могут применяться в рамках предварительной оценки степени воздействия.

Заявленный уровень вибрационного и шумового воздействия учитывает основные области применения инструмента. При этом, если инструмент используется иным образом, с другим оборудованием либо некачественно обслуживается, степень вибрационного и шумового воздействия может отличаться. В рамках всего периода эксплуатации эти условия могут способствовать значительному повышению уровня воздействия. Расчет уровня вибрационного и шумового воздействия должен также проводиться с учетом количества выключений инструмента и продолжительности работы на холостом ходу. В рамках всего периода эксплуатации эти условия могут способствовать значительному снижению уровня воздействия.

Обеспечьте дополнительные меры защиты оператора от воздействия вибрации и шума, например, техническое обслуживание инструмента и принадлежности, поддержание температуры рук (в случае вибрации) и организации графика работ.

PL**⚠ OSTRZEŻENIE**

Podany w niniejszej instrukcji łączny poziom emisji wibracji zmierzono zgodnie ze znormalizowaną metodą testowania — może on być wykorzystywany do wzajemnego porównywania narzędzi. Można go wykorzystywać do wstępnej oceny narażenia.

Deklarowany poziom emisji wibracji i hałasu odpowiada głównym zastosowaniom narzędzia. Jeżeli jednak narzędzie będzie używane do innych zastosowań lub z innymi akcesoriami, bądź też jeśli będzie niewłaściwie konserwowane, poziom emisji wibracji i hałasu może się różnić. Warunki takie mogą doprowadzić do znaczącego wzrostu poziomu narażenia w całym okresie eksploatacji. Oszacowanie poziomu narażenia na wibracje i hałas powinno również uwzględniać okresy, w których narzędzie jest wyłączone bądź działa, ale nie jest wykorzystywane do pracy. Warunki takie mogą doprowadzić do znaczącego ograniczenia poziomu narażenia w całym okresie eksploatacji.

Należy zidentyfikować dodatkowe środki bezpieczeństwa mające na celu ochronę operatora przed skutkami wibracji i hałasu, takie jak konserwacja narzędzia i akcesoriów, utrzymywanie ciepła dłoni (w przypadku wibracji) oraz organizacja pracy.

CS**⚠ VAROVÁNÍ**

Deklarované celkové hodnoty vibrací a deklarované hodnoty hlučnosti uvedené v tomto návodu byly změněny standardizovanou zkušební metodou a mohou být použity k porovnání jednoho mlohače s druhým. Mohou být použity k předběžnému posouzení vystavení vibracím a hluku.

Deklarované hodnoty vibrací a hlučnosti jsou vymezeny hlavními způsoby použití tohoto mlohače. Pokud je však mlohač použit jiným způsobem, s jiným příslušenstvím nebo při nedostatečné údržbě, úroveň vibrací a hluku se mohou lišit. Tyto podmínky mohou podstatně zvýšit úroveň vystavení vibracím a hluku za celou pracovní dobu. Při odhadu úrovně vystavení vibracím a hluku je nutné vzít v úvahu také dobu, kdy je mlohač vypnut nebo běží naprázdno. Tyto podmínky mohou podstatně snížit úroveň vystavení vibracím a hluku za celou pracovní dobu.

K ochraně obsluhy před účinky vibrací a hluku určete další bezpečnostní opatření, například provádění údržby mlohače a příslušenství, udržování rukou v teple (v případě vibrací) a organizování pracovních cyklů.

HU**⚠ FIGYELMEZTÉS**

A jelen használati kézikönyvben közölt rezgés- és zajkibocsátási értékek szabványosított vizsgálat segítségével mérték, amelynek segítségével az eszközök egymással összehasonlíthatók. Ezek alkalmazhatók a kitétség előzetes felmérésére is.

A megadott rezgés-kibocsátási és zajkibocsátási szint az eszköz fő alkalmazásait jelöli. Azonban ha az eszköz nem megfelelően tartású karban, különböző alkalmazásokra vagy eltérő tartozékokkal használják, akkor a rezgés- és zajkibocsátás változhat. Ezek a beavatkozások jelentősen növelhetik a kitétségi szintet a teljes működési időtartam során. A rezgésnek és zajnak való kitétségi szint becslést értékeléskor is figyelembe kell venni, amikor az eszköz ki van kapcsolva, vagy amikor csak tétlenül jár. Ezek jelentősen csökkenthetik a kitétségi szintet a teljes működési időtartam során.

A kezelő rezgés- és zajártalom elleni védelméhez tegyen meg további biztonsági intézkedéseket, mint pl. az eszköz és alkatrészei karbantatása, a kéz melegen tartása (rezgés esetén) és a munkavégzési folyamat megszervezése.

RO**⚠ AVERTISMENT**

Nivelul total al vibrațiilor și valorile emisiilor de zgomot declarate în acest manual cu instrucțiuni au fost măsurate în conformitate cu o metodă de testare standardizată și pot fi utile pentru compararea uneltelor între ele. Acestea pot fi utilizate pentru evaluarea preliminară a expunerii.

Valorile emisiilor de vibrație și de zgomot declarate sunt relevante pentru domeniul de utilizare al acesteia unelte. Totuși, dacă uneltea este utilizată în alte scopuri, cu alte accesorii sau este întreținută necorespunzător, nivelul vibrațiilor și al zgomotului poate fi diferit. În acest caz, nivelul de expunere total, pe parcursul întregii perioade de lucru, poate crește. O estimare a nivelului de expunere la vibrații și zgomot trebuie să țină cont și de numărul de porniri-opriri, precum și de perioada în care uneltea este oprită sau funcționează în gol. În acest caz, nivelul de expunere total, pe parcursul întregii perioade de lucru, poate fi mai mic.

Identificați măsuri de protecție suplimentare pentru protecția operatorului contra efectelor vibrațiilor și zgomotului, precum întreținerea uneltei și a accesoriilor, menținerea mâinilor calde (în caz de vibrație) și organizarea de perioade de lucru.

LV



BRĪDINĀJUMS

Deklarētie kopējie vibrāciju līmeņi un deklarētie trokšņu izstarošanas līmeņi, kas norādīti šajā instrukcijā ir mēriti saskaņā ar standartizētajiem testiem, un var tikt izmantoti viena instrumenta salīdzināšanai ar citu. Tos var izmantot sākotnējai ietekmes novērtēšanai.

Deklarētajos vibrāciju un trokšņu veidošanās vērtības atspoguļo galvenajam instrumenta pielietojumam. Tomēr, ja instruments tiek izmantots citam pielietojumam, izmantots ar citiem aksesoriem, vai netiek pienācīgi kopts, vibrāciju un trokšņu līmeņis var atšķirties. Šie apstākļi var būtiski palielināt ietekmes līmeņi visā darba laikā. Vibrāciju un trokšņu iedarbības līmeņa noteikšanai jāņem vērā arī laika posmi, kad instruments ir izslēgts, vai arī darbojas tukšgājā. Šie apstākļi var būtiski samazināt ietekmes līmeņi visā darba laikā.

Nosakiet papildu drošības pasākumus. Iai aizsargātu lietotāju no vibrācijas un trokšņu ietekmes, piemēram, veicot instrumenta un aprīkojuma apkopes, roku uzturēšana siltumā (vibrāciju gadījumā), vai organizējot darba grafiku.

LT



ĮSPĖJIMAS

Šioje naudojimo instrukcijoje nurodytos keliamos vibracijos vertės nustatytos atsižvelgiant į standartinį bandymo metodą, todėl jas galima palyginti su kitų elektrinių įrankių keliamąja vibracija. Jos taip pat gali būti naudojamos preliminariam vibracijos poveikiui įvertinti.

Deklaruojamos vibracijos ir skleidžiama triukšmo vertės atspindi pagrindinius įrenginio taikymo būdus. Tačiau, jei šiuo įrenginiu atliekami kiti darbai, naudojant kitus priedus arba prastai prižiūrimus priedus, keliamos vibracijos ir triukšmo vertės gali skirtis. Šiomis sąlygomis gali žymiai padidėti vibracijos poveikio lygiai per visą darbo laiką. Vertinant vibracijos ir triukšmo poveikio lygį per tam tikrą darbo laikotarpį, reikia atsižvelgti ne tik į laiką, kai įrenginys veikia, bet ir į tą laiką, kai įrenginys yra išjungtas, ir į laiką, kai jis veikia tuščiajia eiga be apkrovos. Šiomis sąlygomis gali žymiai sumažėti vibracijos poveikio lygis per visą darbo laiką.

Nustatykite papildomas saugos priemones, skirtas operatoriui apsaugoti nuo vibracijos ir triukšmo poveikio, pvz., technškai prižiūrėkite įrenginį ir priedus, laikykite rankas šiltai (vibracijos atveju) ir organizuokite darbo pamainas.

ET



HOIATIS

Kāsesleavas juhendis toodud vibratsioontaise ja deklarētiar mūraemissiooni vārtēstuden no mōdēstuden standartmetodai jārġi ja tēda saab kasatada tōoriistade omavaheliseks vōrdemiseks. Neid vōib kasatada ka emissiooni salsēstgēks hindamiseks.

Deklarētiarud vibratsiooni ja mūraemissiooni vārtēstuden kehtvad tōoriista peamistele rakendusteile. Kūi aga tōoriista kasutatakse mōudeks tōodeks, rakendatakse teisi tavikluid vōi kūi tōoriista hōoduse pole pīsav, vōib vibratsiooni ja mūraemissiooni tēse kōiktuda. Need tingimused vōivad emissiooni tōōperioodi jooksul tunduvalt suuredada. Vibratsiooni ja mūraemissiooni tēpēks hindamiseks tuleb atvesse rōkta ka aega, mil seade on vālja lūlitatud vōi sisse lūlitatud, kuid tegelikult tōēse vārdendamata. Need tingimused vōivad emissiooni tōoperioodi jooksul tunduvalt vāhendada.

Tehke kindlaks lāendavad ohutusmeelmed kasutaja kaitsmiseks vibratsiooni ja mūra mōju eest: nāitēks tōoriista ja līseademetde hooldamine, kāte soojas hoidmine (vibratsiooni korral) ja tōōkorraldus.

HR



UPOZORENJE

Deklarirane ukupne vrijednosti vibracija i deklarirane emisije buke navedene u ovom priručniku s uputama izmjerenje su u skladu sa standardiziranim ispitnom metodom i mogu se koristiti za usporedbu jednog alata s drugim. Moguće ih je upotrijebiti za preliminarnu procjenu izlaganja.

Deklarirane vrijednosti razine emisije vibracija i buke predstavljaju glavne primjene alata. Međutim, ako se alat koristi za druge primjene, koristi s različitim dodacima ili ako se loše održava, emisija vibracija i buke se može razlikovati od navedene vrijednosti. Ti uvjeti mogu uzrokovati značajno povećanje razine izloženosti u ukupnom vremenu rada alatom. Procjena razine izloženosti vibracijama i buci također bi trebala uzeti u obzir i vrijeme u kojem je alat isključen ili radi u praznom hodu. Ti uvjeti mogu uzrokovati značajno smanjenje razine izloženosti u ukupnom vremenu rada alatom.

Utvrdite dodatne sigurnosne mjere za zaštitu rukovatelja od djelovanja vibracija i buke, kao što su održavanje alata i pribora, održavanje topline ruku (u slučaju vibracija) i organiziranje radnog vremena.

SL



OPOZORILO

Skupni vrednosti emisij vibracij i emisij hrupa, navedeni v tem priručniku, sta bli izmerjeni v skladu z metodo standardiziranega preskusa in se lahko uporabljata za medsebojno primerjavo orodja. Uporabljajo se lahko za predhodno oceno stopnje izpostavljenosti.

Navedeni vrednosti emisij vibracij i hrupa veljavata za glavne namene uporabe orodja. Vendar, če se orodje uporablja v druge namene, z drugačnimi dodatki ali je slabo vzdrževano, sta lahko ravni emisij vibracij i hrupa drugačni. V teh pogojih se lahko stopnja izpostavljenosti v celotnem delovnem obdobju občutno zviša. V oceni stopnje izpostavljenosti vibracijam i hrupa je treba upoštevati tudi obdobja, v katerih je orodje ugasnjeno oziroma teče, vendar ni v dejanski uporabi. V teh pogojih se lahko stopnja izpostavljenosti v celotnem delovnem obdobju občutno zniža.

Ugotovite dodatne varnostne ukrepe za zaščito uporabnika pred učinki vibracij i hrupa, kot je vzdrževanje orodja in dodatkov, ohranjanje toplih rok (v primeru vibracij) i organizacija delovnih vzorcev.

SK



VAROVANIE

Deklarované celkové hodnoty vibrací a deklarované hodnoty emisii hluku uvedené v tomto návodu na obsluhu boli merané v súlade so štandardizovanou skúškou a môžu sa použiť na porovnanie jedného náradia s druhým. Môžu sa použiť na predbežné posúdenie expozície.

Deklarované hodnoty vibráci a emisii hluku sú pre hlavné použitia náradia. No ak sa náradie používa na iné aplikácie, v spojení s iným príslušenstvom alebo je jeho údržba nepostačujúca, emisie vibráci a hluku sa môžu líšiť. Tieto podmienky značne zvyšia úroveň expozície počas celkovej pracovnej doby. Odhad úrovne expozície účinkom vibráci a hluku má tieto faktične zohľadniť čas vypnutia náradia alebo ak beží na voľnobeh. Tieto podmienky môžu značne znížiť úroveň expozície počas celkovej pracovnej doby.

Identifikujte ďalšie bezpečnostné opatrenia na ochranu obsluhy pred účinkami vibráci a hluku, ako je napríklad udržiavanie náradia a príslušenstva, udržiavanie teplých rúk (v prípade vibrácií) a organizácia pracovných postupov.

BG



ВНИМАНИЕ

Декларираните общи стойности на излъчените вибрации и на шумовите емисии, посочени в настоящото ръководство, са измерени в съответствие със стандартизиран тестов метод и може да се използват за сравнение на един инструмент с друг. Те може да се използват за предварително оценяване на въздействието.

Декларираните стойности на излъчените вибрации и на шумовите емисии представляват основните приложения на инструмента. Въпреки това, ако инструментът се използва за различни приложения, с различни принадлежности или поддръжката му е некачествена, излъчените вибрации и шумовите емисии могат да се различават. Тези условия може значително да увеличат нивото на излагане през целия срок на работа. При оценяване на нивото на излагане на вибрации и шум също трябва да се вземе предвид колко пъти инструментът е бил изключван или колко пъти е работил на празен ход. Тези условия може значително да намалят нивото на излагане през целия срок на работа.

Определете допълнителни мерки за предпазване на оператора от ефектите от вибрациите и шума, като например поддръжане на инструмента и аксесоарите, поддръжане на ръцете топли (в случай на вибрации), организация на моделите за работа.

UK



ПОПЕРЕДЖЕННЯ

Значения вибрації та шуму, наведені в цьому керівництві, вимірювалися відповідно до стандартизованого методу вивпробування та можуть бути використані для порівняння одного інструменту з іншим. Ними можна користуватися для попередньої оцінки впливу.

Наведені значення виміряно при стандартній експлуатації виробу. Утім якщо виріб використовується для інших цілей, з іншими додатковими пристосуваннями або ж не проходить належного обслуговування, рівні вибрації та шуму можуть відрізнятись від зазначених. Як наслідок, рівні впливу впродовж загального робочого часу можуть значно збільшитися. При оцінці рівнів впливу вібрації та шуму слід враховувати періоди, коли виріб вимкнений або працює на холостих обертах. Як наслідок, рівні впливу впродовж загального робочого часу можуть значно зменшитися.

Дотримуйтеся додаткових заходів, які можуть захистити оператора від впливу вібрації та шуму: підтримуйте пристрій та додаткові пристосування у належному стані, слідкуйте, щоби руки залишалися теплими (при вібрації), та продумайте графік роботи.

TR



UYARI

Bu kullanim kilavuzunda verilen toplam titreşim değerleri ve gürültü emisyonu değerleri standartlaştırılmış bir teste göre ölçülmüştür ve bir aleti diğerlerle karşılaştırmak için kullanılabılır. Maruz kalmanın onceden değerlendirilmesini için kullanılabılır.

Beyan edilen titreşim ve gürültü emisyonu değerleri aletin ana uygulaması için temsil eder. Ancak, alet farklı uygulamalar için kullanılıyorsa, farklı aksesuarlarla kullanılıyorsa ve bakımı yapılmıyorsa, titreşim ve gürültü emisyonu değışiklik gösterebilir. Bu koşullar toplam çalışma süresi genelinde maruz kalma düzeylerini önemli oranda artırabilir. Titreşime ve gürültüye maruz kalma seviyesinin tahmininde aletin kapatıldığı veya boşta çalıştığı süreler dikkate alınmalıdır. Bu koşullar toplam çalışma süresi boyunca maruz kalma seviyesini önemli oranda azaltabilir.

Kullanılan kişiyi titreşim ve gürültünün etkilerinden korumak için aletin ve aksesuarların bakımını yapmak, (titreşim halinde) elleri sıcak tutmak ve çalışma modelleri organize etmek gibi ilave güvenlik önlemlerini tanımlayın.

EN RYOBI WARRANTY APPLICATION CONDITIONS

In addition to any statutory rights resulting from the purchase, this product is covered by a warranty as stated below.

1. The warranty period is 24 months for consumers and commences on the date when the product was purchased. This date has to be documented by an invoice or other proof of purchase. The product is designed and dedicated to consumer and private use only. So there is no warranty provided in case of professional or commercial use. This warranty applies only on new products.
2. There is a possibility to extend for a part of the range of power tools (AC/DC) the warranty period over the period described above using the registration on the www.ryobitools.eu website. The eligibility of products for extended warranty is clearly displayed in stores and / or on packaging and is contained within the product documentation. The end user is required to register his/her newly-acquired products online within 30 days from the date of purchase. The end user may register for the extended warranty in his/her country of residence if listed on the online registration form where this option is valid. Furthermore, end users must give their consent to the storage of their personal data that is required to be entered online. They must also accept the terms and conditions. The registration confirmation receipt, which is sent out by e-mail, and the original invoice showing the date of purchase will serve as proof of the extended warranty.
3. The warranty covers all defects of the product during the warranty period due to faults in workmanship or material at the purchase date. The warranty is limited to repair and/or replacement and does not include any other obligations including but not limited to incidental or consequential damages. The warranty is not valid if the product has been misused, used contrary to the instruction manual, or has been incorrectly connected to a power supply. This warranty does not apply to:
 - any damage to the product that is the result of improper or lack of maintenance
 - any product that has been altered or modified
 - any product where original identification (trade mark, serial number) markings have been defaced, altered or removed
 - any damage caused by non-observance of the instruction manual
 - any product not displaying the CE approval mark on the rating plate
 - any product that has been attempted to be repaired by a non-authorized warranty service centre or without prior authorisation by Techtronic Industries
 - any product connected to improper power supply (amps, voltage, frequency)
 - any product used with inappropriate fuel mixture (fuel, oil, ratio of oil/ fuel mixture)
 - any damage caused by external influences (water, chemical, physical, shocks) or foreign substances
 - normal wear and tear spare parts
 - inappropriate use, overloading of the tool
 - use of non-approved accessories or parts
 - Accessories provided with the tool or purchased separately including but not limited to blades, saw chains, cutting lines, etc.
 - Any periodic adjustments to or maintenance cleaning of carburetors
 - Components (parts and accessories) subject to natural wear and tear, including but not limited to bump knobs, drive belts, clutch, blades of hedge trimmers or lawn mowers, harness, cable throttle, carbon brushes, power cord, tines, felt washers, hitch pins, blower fans, blower and vacuum tubes, vacuum bag and straps, guide bars, saw chains, hoses, connector fittings, spray nozzles, wheels, spray wands, inner reels, outer spools, cutting lines, spark plugs, air filters, gas filters, mulching blades, etc.
4. For servicing, the product must be sent or presented to a RYOBI authorised service station listed for each country in the following list of service station addresses. In some countries your local RYOBI dealer undertakes to send the product to the RYOBI service organisation. When sending a product to a RYOBI service station, the product should be safely packed without any dangerous contents such as petrol, marked with sender's address and accompanied by a short description of the fault.
5. A repair / replacement under this warranty is free of charge. It does not constitute an extension or a new start of the warranty period. Exchanged parts or products become our property. In some countries delivery charges or postage will have to be paid by the sender. Your statutory rights arising from the purchase of the product remain unaffected.
6. This warranty is valid in the European Community, Switzerland, Iceland, Norway, Liechtenstein, Turkey, Russia, and the United Kingdom. Outside these areas, please contact your authorised RYOBI dealer to determine if another warranty applies.

AUTHORISED SERVICE CENTRE

Any request or issue with the product can be addressed to your local authorised service centres (visit www.ryobitools.eu) or directly to: Techtronic Industries GmbH, Max Eyth Straße 10, 71364 Winnenden, Germany. Please state the serial number and product type printed on the label.

FR RYOBI CONDITIONS D'APPLICATION DE LA GARANTIE

En plus des droits statutaires liés à l'achat, ce produit est couvert par une garantie telle que décrite ci-dessous.

1. La durée de la garantie accordée au consommateur est de 24 mois à partir de la date d'achat. Cette date doit être authentifiée par une facture ou tout autre preuve d'achat. Le produit a été conçu en vue d'une utilisation strictement privée. Aucune garantie ne s'applique donc en cas d'utilisation professionnelle ou commerciale.
2. Il existe pour une partie de la gamme « jardin » (AC/DC), une possibilité d'étendre la période de garantie au-delà de la période précédemment décrite en utilisant le formulaire d'enregistrement présent sur le site internet www.ryobitools.eu. L'éligibilité d'un outil est clairement affichée dans les points de vente et/ou sur l'emballage et la documentation. L'utilisateur final doit enregistrer son/ses outil(s) nouvellement acheté(s) en ligne dans les 30 jours qui suivent la date d'achat. L'utilisateur a la possibilité de s'enregistrer pour l'extension de garantie dans son pays de résidence si celui-ci est listé dans le formulaire d'enregistrement en ligne où cette option est valide. L'utilisateur final doit donner son consentement pour l'enregistrement des données requises pour accéder au site et doit accepter les termes et conditions. La confirmation d'enregistrement, envoyée par courrier électronique, ainsi que la facture originale mentionnant la date d'achat serviront de preuve de l'extension de garantie.
3. La garantie couvre pendant la période de garantie les défauts des produits liés à la fabrication et aux matériaux à la date d'achat. La garantie est limitée à la réparation et/ou au remplacement et n'inclut aucune autre obligation, tel que, mais sans s'y limiter, les dommages accessoires ou indirects. La garantie est non valable en cas de mauvaise utilisation du produit, d'utilisation contraire aux instructions du mode d'emploi, ou en cas de branchement incorrect. Cette garantie ne s'applique pas pour :
 - tout dommage au produit résultant d'un mauvais entretien
 - tout produit ayant été altéré ou modifié
 - tout produit dont les marquages originaux d'identification (marque, numéro de série) ont été dégradés, altérés ou retirés
 - tout dommage causé par le non-respect des instructions du mode d'emploi
 - tout produit non CE
 - tout produit ayant subi une tentative de réparation par du personnel non qualifié ou sans autorisation préalable de Techtronic Industries
 - tout produit raccordé à une alimentation secteur non conforme (ampérage, voltage, fréquence)
 - tout produit utilisé avec un mélange inapproprié (essence, huile, pourcentage d'huile)
 - tout dommage causé par des influences extérieures (chimiques, physiques, chocs) ou par des substances étrangères
 - l'usure normale des pièces consommables
 - une utilisation inappropriée, une surcharge de l'outil
 - l'utilisation de pièces ou accessoires non agréés
 - Tout réglage périodique ou tout nettoyage de maintenance des carburateurs
 - les composants (pièces et accessoires) sujets à une usure naturelle, incluant de façon non exhaustive les têtes de fil à frapper, les courroies de transmission, les embrayages, les lames des taille-haies ou des tondeuses à gazon, les harnais, les câbles d'accélérateur, les charbons, les cordons d'alimentation, les fraises de cultivateurs, les rondelles feutre, les gouilles de fraise, les turbines et lame de broyage des souffleurs, les tubes de soufflage et d'aspiration des souffleurs, les sacs de souffleurs et leurs lanières, les guides-chaîne, les chaînes de tronçonneuses, les tuyaux et raccords, les buses et lances de nettoyeurs haute pression, les roues, les recharges de fil des têtes de coupe, les têtes de coupe, le fil de coupe, les bougies d'allumage, les filtres à air, les filtres à essence, etc.
4. Si le produit doit être réparé, envoyez-le à un service après-vente agréé RYOBI dont vous trouverez ci-dessous la liste pour chaque pays. Dans certains pays, votre revendeur RYOBI se chargera d'envoyer le produit à un centre de réparation RYOBI. Lorsque vous envoyez un produit à un service après-vente RYOBI, celui-ci doit être correctement emballé, sans contenir aucun produit dangereux tel que de l'essence, et vous devez indiquer votre adresse ainsi qu'une courte description du problème.
5. Une réparation / un remplacement sous garantie est gratuit(e). Ceci ne constituera pas une extension de garantie ni un nouveau départ de la période de garantie. Les pièces ou les outils remplacés deviennent notre propriété. Dans certains pays, les frais de port devront être assumés par l'expéditeur. Vos droits statutaires restent inchangés.
6. Cette garantie est valable dans la Communauté européenne, la Suisse, l'Irlande, la Norvège, le Liechtenstein, la Turquie, la Russie et le Royaume-Uni. En dehors de ces zones, veuillez contacter votre distributeur agréé RYOBI pour déterminer si une autre garantie s'applique.

SERVICE APRÈS-VENTE AGRÉÉ

Toute demande ou tout problème concernant le produit peut être transmis à votre centre de réparation agréé local (consultez www.ryobitools.eu) ou directement à : Techtronic Industries GmbH, Max Eyth Straße 10, 71364 Winnenden, Germany. Veuillez mentionner le numéro de série et le type de produit imprimés sur l'étiquette.



DE RYOBI GARANTIEBEDINGUNGEN

Zusätzlich zu den gesetzlichen Rechten aus dem Kauf gilt für dieses Produkt die nachstehend aufgeführte Garantie.

- Der Garantiezeitraum beträgt für Verbraucher 24 Monate und beginnt mit dem Datum des Kaufs. Dieses Datum muss eine Rechnung oder einen anderen Kaufbeleg dokumentiert werden. Dieses Produkt wurde ausschließlich zur privaten Nutzung durch Verbraucher entwickelt. Für den Fall einer professionellen bzw. kommerziellen Nutzung besteht daher keine Garantie.
- Es besteht die Möglichkeit, für einen Teil des Sortiments der Gartenwerkzeuge (AC/DC) den Garantiezeitraum über den oben genannten Zeitraum hinaus zu verlängern, indem der Verbraucher die Registrierung auf der Website www.ryobitools.eu durchführt. Die Berechtigung der Werkzeuge für die Garantieverlängerung ist deutlich im Geschäft und/oder auf der Verpackung beschrieben und in der Produktdokumentation erwähnt. Der Verbraucher muss das neu erworbene Gerät online innerhalb von 30 Tagen ab dem Kaufdatum registrieren. Der Verbraucher kann das Gerät zwecks Garantieverlängerung in seinem Wohnsitzland/Heimatland registrieren, wenn dieses Land auf dem Online-Registrierungsformular aufgeführt ist und die Option gültig ist. Darüber hinaus muss der Verbraucher seine Zustimmung zur Speicherung der Daten geben, die online eingegeben werden müssen, und er muss die allgemeinen Geschäftsbedingungen akzeptieren. Die Bestätigung der Registrierung, die per E-Mail versandt wird, und die Originalrechnung mit dem Kaufdatum gelten als Beleg für die Garantieverlängerung.
- Die Garantie deckt alle Defekte des Geräts während des Garantiezeitraums ab, die auf zum Zeitpunkt des Kaufs bestehende Verarbeitungs- oder Materialfehler zurückzuführen sind. Die Garantie beschränkt sich auf Reparatur und/oder Ersatz und beinhaltet keine anderen Verpflichtungen, insbesondere keinen Schadenersatz für Folge- oder Nebenschäden. Die Garantie gilt nicht, wenn das Gerät fehlerhaft eingesetzt wurde, gegensätzlich zur Bedienungsanleitung eingesetzt wurde oder falsch angeschlossen wurde. Die Garantie gilt nicht für Folgendes:
 - Schäden am Gerät, die auf unkorrekte Wartung zurückzuführen sind
 - Geräte, an denen Veränderungen vorgenommen wurden
 - Produkte, bei denen die ursprüngliche Identifizierung (Handelsmarke, Seriennummer) unleserlich gemacht, verändert oder entfernt wurde
 - Schäden durch Nichtbeachtung der Bedienungsanleitung
 - nicht-CE-zertifizierte Geräte
 - Geräte, an denen durch nicht-qualifizierte Personen oder ohne vorherige Genehmigung von Techtronic Industries Reparaturversuche vorgenommen wurden
 - Geräte, die an unkorrekte Energiequellen (Ampere, Volt, Frequenz) angeschlossen wurden
 - Geräte, die mit einer fehlerhaften Treibstoffmischung (Treibstoff, Öl, Ölanteil) betrieben wurden
 - Schäden durch äußere Einflüsse (chemisch, physisch, Stöße) oder Fremdstoffe
 - normaler Verschleiß von Ersatzteilen
 - unangemessene Nutzung, Überlastung des Geräts
 - Nutzung nicht genehmigter Zubehörteile oder Ersatzteile
 - Regelmäßige Einstellung oder Wartungsreinigung des Vergasers
 - Komponenten (Ersatzteile und Zubehörteile), die natürlichem Verschleiß unterliegen, einschließlich, aber nicht beschränkt auf Fadenköpfe, Kohlebürsten, Lager, Spannvorrichtungen, SDS-Bohreraufnahme /Bit-Adapter, Netzplatt, Zusatzhandgriff, Transportkoffer, Schleifplatten, Staubbeutel, Staubabführungen, Filzunterlegscheiben, Bolzen und Federn von Schlagschraubern, einschließlich, aber nicht beschränkt auf Fadenköpfe, Antriebsriemen, Kupplungen, die Klängen von Heckenscheren oder Rasenmähern, Kabelstränge, Gaszüge, Zinken, Steckbolzen, Lüfter, Saug- und Gebläserohre oder Düsen, Fangsäcke und Gurte, Führungsschienen, Sägeketten, Schläuche, Verbinder, Sprühdüsen, Räder, Sprühstäbe, innere Rollen, äußere Spulen, Schneidfäden, Zündkerzen, Luftfilter, Benzin-/ Ölfilter, Häcksel- Messer usw.
- Zum Service muss das Gerät zu einer von RYOBI autorisierten Servicestation gebracht oder dorthin geschickt werden. Die Servicestationen für die einzelnen Länder sind in der folgenden Liste aufgeführt. In einigen Ländern sendet Ihr RYOBI-Händler vor Ort das Gerät an das RYOBI-Serviceunternehmen. Beim Einsenden an die RYOBI-Servicestation sollte das Gerät sicher verpackt sein, ohne gefährliche Inhalte wie Benzin, und es sollte mit der Adresse des Absenders und einer kurzen Beschreibung des Fehlers versehen sein.
- Eine Reparatur bzw. ein Ersatz gemäß dieser Garantie ist kostenlos. Hieraus ergibt sich weder eine Garantieverlängerung noch der Beginn eines neuen Garantiezeitraums. Die ausgetauschten Ersatzteile oder Werkzeuge gehen in unser Eigentum über. In einigen Ländern müssen die Zustelgebühren oder die Versandkosten vom Absender gezahlt werden. Ihre gesetzlichen Rechte aus dem Kauf des Geräts bleiben hiervon unberührt.
- Diese Garantie ist gültig in der Europäischen Gemeinschaft, der Schweiz, Island, Norwegen, Liechtenstein, der Türkei, Russland und dem Vereinigten Königreich. Bitte wenden Sie sich außerhalb dieser Gebiete an Ihren autorisierten RYOBI-Händler, um festzustellen, ob eine andere Garantie gilt.

AUTORISIERTER KUNDENDIENST

Bitte wenden Sie sich bei Fragen zum oder Problemen mit dem Gerät an das örtliche autorisierte Servicecenter (siehe www.ryobitools.eu) oder direkt an: Techtronic Industries GmbH, Max Eyth Straße 10, 71364 Winnenden, Germany. Bitte geben Sie die Seriennummer und den auf dem Typenschild aufgedruckten Gerätetyp an.

ES CONDICIONES DE APLICACIÓN DE LA GARANTÍA DE RYOBI

Además de cualquier derecho legal derivado de la compra, este producto está cubierto por una garantía que se indica a continuación.

- El periodo de garantía es de 24 meses para consumidores y comienza en la fecha en que se compra el producto. Dicha fecha debe documentarse con una factura u otro comprobante de compra. El producto está diseñado y concebido únicamente para el uso privado del consumidor. Por lo tanto, no se ofrece garantía en caso de uso profesional o comercial.
- Existe la posibilidad de ampliar el periodo de garantía respecto a una parte de la gama de herramientas de jardinería (CA/CC) durante el periodo descrito más arriba y mediante el registro en el sitio web www.ryobitools.eu. La elegibilidad de las herramientas para que se amplíe el periodo de garantía se muestra claramente en las tiendas o en el embalaje y está incluida en la documentación del producto. El usuario final tiene que registrar en línea sus herramientas recientemente adquiridas en un plazo de 30 días a partir de la fecha de compra. El usuario final podrá registrarse para obtener la garantía ampliada en su país de residencia si este aparece en la lista del formulario de registro en línea cuando esta opción sea válida. Además, los usuarios finales deberán dar su consentimiento al almacenamiento de los datos necesarios para el acceso en línea y tienen que aceptar los términos y condiciones. El recibo de confirmación de registro, que se envía por correo electrónico, y la factura original que muestra la fecha de compra servirán como comprobante para la garantía ampliada.
- La garantía cubre todos los defectos del producto durante el periodo de garantía debido a fallos de mano de obra o material en la fecha de compra. La garantía se limita a la reparación o sustitución y no incluye ninguna otra obligación como, por ejemplo, daños accidentales o consecuentes. La garantía no es válida si se ha usado mal el producto, se ha usado contraviniendo el manual de instrucciones o se ha conectado de forma incorrecta. Esta garantía no es aplicable a:
 - ningún daño en el producto que sea consecuencia de un mantenimiento inadecuado
 - ningún producto que haya sido alterado o modificado
 - ningún producto en el que los marcados de identificación originales (marca comercial, número de serie) se hayan borrado, modificado o eliminado
 - ningún daño provocado por no seguir el manual de instrucciones
 - ningún producto que no sea CE
 - ningún producto que haya sufrido un intento de reparación por parte de un profesional no cualificado o sin la autorización previa de Techtronic Industries.
 - ningún producto conectado a un suministro eléctrico inadecuado (ampierios, voltaje, frecuencia)
 - ningún producto usado con una mezcla de combustible inadecuada (combustible, aceite, porcentaje de aceite)
 - ningún daño causado por influencias externas (químicas, físicas, impactos) o sustancias extrañas
 - desgaste normal de piezas de repuesto
 - uso inadecuado, sobrecarga de la herramienta
 - uso de accesorios o piezas no aprobados
 - Cualquier ajuste periódico o limpieza de mantenimiento de los carburadores
 - Componentes (piezas y accesorios) sujetos al desgaste natural incluyendo, entre otros, pomos de golpes, correas de transmisión, embragues, cuchillas de cortasetos o cortacésped, arneses, cable del acelerador, escobillas de carbono, cables eléctricos, púas, discos de filtro, pasadores de enganche, ventiladores de soplador, tubos de aspiración y de soplado, bolsos y correas de aspiración, barras guías, cadenas de sierra, mangueras, herrajes de conectores, boquillas pulverizadoras, ruedas, lanzas pulverizadoras, bobinas interiores, carretes exteriores, líneas de corte, bujías, filtros de aire, filtros de gas, cuchillas de compostaje, etc.
- Para su mantenimiento, el producto debe enviarse o presentarse a una estación de servicio de RYOBI autorizada que figure en la siguiente lista de direcciones de estaciones de servicio por países. En algunos países, su distribuidor RYOBI local se responsabiliza de enviar el producto a la compañía de servicio de RYOBI. Cuando se envíe un producto a una estación de servicio de RYOBI, este debe estar empaquetado de forma segura sin contenidos peligrosos como gasolina, marcado con la dirección del remitente y acompañado de una breve descripción del fallo.
- Una reparación / sustitución con esta garantía es gratuita. No constituye una ampliación ni un nuevo comienzo del periodo de garantía. Las piezas o herramientas intercambiadas pasan a ser de nuestra propiedad. En algunos países, los gastos de envío o correo tendrán que pagarlos el remitente. Sus derechos legales derivados de esta compra de la herramienta no se verán afectados.
- Esta garantía es válida en la Comunidad Europea, Suiza, Islandia, Noruega, Liechtenstein, Turquía, Rusia y el Reino Unido. Fuera de estas zonas, póngase en contacto con su distribuidor de RYOBI autorizado para determinar si es aplicable otra garantía.

SERVICIO TÉCNICO AUTORIZADO

Cualquier solicitud o problema relacionado con el producto se puede remitir a su centro de servicio autorizado local (visite www.ryobitools.eu) o directamente a: Techtronic Industries GmbH, Max Eyth Straße 10, 71364 Winnenden, Germany. Indique el número de serie y el tipo de producto que aparecen impresos en la etiqueta.



IT CONDIZIONI DI VALIDITÀ DELLA GARANZIA RYOBI

In aggiunta ai diritti di legge risultanti dall'acquisto, il prodotto è coperto dalla garanzia sotto descritta.

1. Il periodo di garanzia è di 24 mesi per i consumatori, a decorrere dalla data di acquisto del prodotto. La data deve essere documentata da una fattura o altra prova d'acquisto. Il prodotto è progettato e destinato solo all'utilizzo privato dei consumatori. Pertanto non viene fornita alcuna garanzia in caso di uso professionale o commerciale.
2. Per una serie di utensili da giardino (CA/CC) è possibile prolungare il periodo di garanzia oltre quello descritto, registrandosi sul sito web www.ryobitools.eu. Gli utensili per i quali è possibile prolungare il periodo di garanzia sono chiaramente indicati nei negozi e/o sulle confezioni e nella documentazione dei prodotti. L'utente deve registrare online l'utensile acquistato entro 30 giorni dalla data di acquisto. L'utente può registrarsi per la garanzia prolungata nel proprio paese di residenza, se questo è elencato nel modulo di registrazione online dove questa opzione sia valida. Inoltre gli utenti devono fornire il proprio consenso alla conservazione dei dati da immettere online e devono accettare le condizioni generali. La conferma di registrazione, inviata tramite e-mail, e la fattura originale indicante la data di acquisto, costituiranno la prova della garanzia prolungata.
3. La garanzia copre tutti i difetti del prodotto durante il periodo di garanzia, risultanti da manodopera o materiali alla data di acquisto. La garanzia è limitata alla riparazione e/o sostituzione e non include alcun altro obbligo quali, a mero titolo esemplificativo, i danni incidentali o consequenziali. La garanzia non è valida se il prodotto è stato usato scorrettamente, in modo contrario al manuale di istruzioni o se è stato collegato in modo errato. La garanzia non è valida per:
 - qualsiasi danno al prodotto dovuto a manutenzione errata;
 - qualsiasi prodotto che sia stato alterato o modificato;
 - qualsiasi prodotto le cui marcature di identificazione originali (marchi di fabbrica, numero di serie) siano state cancellate, alterate o rimosse;
 - qualsiasi danno causato dalla non osservanza delle istruzioni del manuale;
 - qualsiasi prodotto privo di omologazione CE;
 - qualsiasi prodotto che sia stato sottoposto a un tentativo di riparazione da parte di un professionista non qualificato oppure senza la previa autorizzazione di Techtronic Industries;
 - qualsiasi prodotto collegato a un'alimentazione errata (per ampere, tensione, frequenza);
 - qualsiasi prodotto usato con una miscela di carburante errata (carburante, olio, percentuale di olio);
 - qualsiasi danno causato da influenze esterne (chimiche, fisiche, urti) o sostanze estranee;
 - la normale usura delle parti di ricambio;
 - uso inappropriato, sovraccarico dell'utensile;
 - uso di accessori o parti non omologate;
 - qualsiasi regolazione periodica o pulizia di manutenzione dei carburatori;
 - componenti (parti e accessori) soggetti alla normale usura compresi, a mero titolo esemplificativo, testine a filo, cinghie di trasmissione, frizioni, lame di tagliasiepi o tagliaerba, imbragature, cavi di accelerazione, spazzole al carbonio, cavi di alimentazione, denti, rondelle di feltro, perni di aggancio, ventole dei soffiatori, tubi di soffiatori e aspiratori, sacchetti e cinghie per aspirapolvere, barre guida, catene per seghe, tubi, raccordi di connessione, ugelli di spruzzo, ruote, erogatori, bobine interne ed esterne, linee di taglio, candele, filtri dell'aria, filtri del gas, lame per mulching ecc.
4. Per la manutenzione il prodotto dev'essere spedito o portato presso uno dei centri assistenza autorizzati RYOBI elencati per ogni paese nel seguente elenco di indirizzi dei centri. In alcuni paesi il rivenditore locale RYOBI si incarica di inviare il prodotto all'organizzazione di assistenza RYOBI. Quando si invia un prodotto a un centro assistenza RYOBI, imballarlo in modo sicuro senza contenuti pericolosi come la benzina, apporre l'indirizzo del mittente e accompagnarlo da una breve descrizione del guasto.
5. La riparazione/sostituzione ai sensi della presente garanzia è gratuita. Non costituisce un prolungamento o un nuovo inizio del periodo di garanzia. Le parti o gli utensili scambiati diventano di nostra proprietà. In alcuni paesi i costi di consegna o di spedizione postale devono essere pagati dal mittente. I diritti di legge derivanti dall'acquisto dell'utensile rimangono inalterati.
6. La presente garanzia è valida in Comunità Europea, Svizzera, Islanda, Norvegia, Liechtenstein, Turchia, Russia e Regno Unito. Al di fuori di tali aree contattare il rivenditore autorizzato RYOBI per sapere se è valida un'altra garanzia.

CENTRO SERVIZI AUTORIZZATO

Qualsiasi richiesta o problema con il prodotto può essere indirizzato ai centri di assistenza autorizzati locali (visitare www.ryobitools.eu) o direttamente a: Techtronic Industries GmbH, Max Eyth Straße 10, 71364 Winnenden, Germany. Si prega di indicare il numero di serie e il tipo di prodotto stampati sull'etichetta.

NL RYOBI GARANTIEVOORWAARDEN

Naast de wettelijke rechten die voortvloeien uit de aankoop, wordt dit product gedekt door een garantie, zoals hieronder staat vermeld.

1. De garantietermijn voor consumenten bedraagt 24 maanden en gaat in op de datum waarop het product is gekocht. Deze datum moet worden gedocumenteerd met een factuur of ander aankoopbewijs. Het product is uitsluitend ontworpen en bedoeld voor persoonlijk gebruik door consumenten. Er wordt dus geen garantie gegeven voor professioneel of commercieel gebruik.
2. Voor een deel van ons aanbod van tuingereedschappen (AC/DC) is het mogelijk om de garantietermijn te verlengen over de boven beschreven termijn, met behulp van de website www.ryobitools.eu. De gereedschappen die in aanmerking komen voor de verlenging van de garantietermijn wordt duidelijk weergegeven in winkels en/of verpakkingen en staat beschreven in de productdocumentatie. De eindgebruiker moet zijn/har nieuw gekochte gereedschappen binnen 30 dagen na aankoop online registreren. De eindgebruiker kan zich registreren voor de verlengde garantietermijn als zijn woonland staat vermeld op het online registratieformulier waar deze optie geldig is. Bovendien moeten eindgebruikers toestemming geven voor de opslag van de gegevens die online ingevuld moeten worden en moeten ze de algemene voorwaarden accepteren. Het ontvangstbewijs van de registratie, dat per e-mail wordt verzonden en de oorspronkelijke factuur met de aankoopdatum vormt het bewijs van de verlengde garantietermijn.
3. De garantie geldt tijdens de garantietermijn alle gebreken van het product vanwege defecten in vakmanschap of materiaal op de aankoopdatum. De garantie is beperkt tot reparatie en/of vervanging en bevat geen andere verplichtingen, waaronder maar niet beperkt tot incidentele of gevolgschade. De garantie is niet geldig als het product is misbruikt, in strijd met de gebruiksaanwijzing wordt gebruikt of onjuist is aangesloten. Deze garantie geldt niet voor:
 - alle schade aan het product die het gevolg is van onjuist onderhoud
 - elk product dat is veranderd of aangepast
 - elk product waar de oorspronkelijke identificatie (handelsmerk, serienummer) is beschadigd, gewijzigd of verwijderd
 - alle schade die is veroorzaakt door het niet opvolgen van de gebruiksaanwijzing
 - elk niet-CE-product
 - elk product waar een poging tot reparatie is gedaan door een niet-erkende professional of zonder voorafgaande toestemming door Techtronic Industries.
 - elk product dat is verbonden met een verkeerde inductie (amperage, spanning, frequentie)
 - elk product dat wordt gebruikt met een verkeerd brandstofmengsel (brandstof, olie, oliegehalte)
 - alle schade die is veroorzaakt door externe invloeden (chemisch, fysisch, schokken) of vreemde stoffen
 - normale slijtage van reserveonderdelen
 - ongepast gebruik, overbelasting van het gereedschap
 - gebruik van niet-goedgekeurde accessoires of onderdelen
 - Alle periodieke aanpassingen aan of het onderhoud en reiniging van carburateurs
 - Componenten (onderdelen en accessoires) die onderhevig zijn aan natuurlijke slijtage, waaronder maar niet beperkt tot stookknoppen, aandrijfriemen, koppelingen, messen van hegtrimmers of grasmaaiers, hamas, gaskabel, koolstofborstels, stroomsnoeren, tanden, viltringen, koppelingsspannen, blazers, blaas- en zuigbuizen, zuigzakken en -riemen, geleidingsstaven, zaagkettingen, slangen, koppelingen, mondstukken, wielen, spuitstokken, binnenhaspels, buitenhaspels, snijdraden, boegjes, luchtfilters, gasfilters, maaimessen, etc.
4. Voor onderhoud moet het product worden verzonden of gebracht naar een erkend servicestation van RYOBI die voor elk land staan vermeld in de volgende lijst met adressen voor servicestations. In sommige landen zal uw lokale RYOBI-dealer het product verzenden naar de RYOBI-serviceorganisatie. Wanneer u het product naar een servicestation van RYOBI verzendt, moet het product veilig worden verpakt zonder enige gevaarlijke inhoud, zoals benzine, met het adres van de afzender en vergezeld van een korte beschrijving van het defect.
5. Een reparatie/vervanging die onder deze garantie valt is gratis. Het vormt geen verlenging of een nieuwe start van de garantietermijn. Vervisselde onderdelen of gereedschappen worden ons eigendom. In sommige landen moeten de verzendkosten door de afzender worden betaald. Uw wettelijke rechten die voortvloeien uit de aankoop van het gereedschap blijven onaangetaast.
6. Deze garantie is geldig binnen de Europese Gemeenschap, Zwitserland, IJsland, Noorwegen, Liechtenstein, Turkije, Rusland en het Verenigd Koninkrijk. Buiten deze gebieden moet u contact opnemen met uw erkende RYOBI-dealer om vast te stellen of er een andere garantie van toepassing is.

GEAUTORISEERD ONDERHOUDSCENTRUM

Elk verzoek of probleem met het product kan worden gericht aan uw lokale geautoriseerde servicecentra (bezoek www.ryobitools.eu) of rechtstreeks aan: Techtronic Industries GmbH, Max Eyth Straße 10, 71364 Winnenden, Germany. Vermeld het serienummer en het type product dat op het etiket staat.

PT CONDIÇÕES DE APLICAÇÃO DA GARANTIA RYOBI

Para além de quaisquer direitos previstos por lei resultantes da compra, este produto está coberto por uma garantia conforme descrição abaixo.

1. O período da garantia é de 24 meses para consumidores particulares e inicia-se na data de compra do produto. Esta data tem de ser documentada por uma factura ou por outra prova de compra. O produto foi concebido para e destina-se apenas a consumidores particulares e uso privado. Assim, não é dada garantia em caso de utilização por profissionais ou uso comercial.
2. Para uma parte da gama de ferramentas de jardim (AC/DC) existe a possibilidade de prolongamento do período da garantia para além do período descrito acima, mediante registo no Web site www.ryobitools.eu. A elegibilidade das ferramentas para prolongamento do período da garantia é claramente visível nas lojas e/ou nas embalagens e está contida na documentação do produto. O utilizador final tem de fazer o registo online das suas ferramentas recém-adquiridas no prazo de 30 dias após a data de compra. O utilizador final pode fazer o registo para prolongamento da garantia no seu país de residência, desde que esteja listado no formulário de registo online e para os casos em que esta opção seja válida. Para além disso, os utilizadores finais têm de autorizar o armazenamento dos dados cujo preenchimento lhes for solicitado online e têm de aceitar os termos e as condições. O recibo de confirmação do registo é enviado por e-mail e, em conjunto com a factura original ostentando a data de compra, servirá de prova do prolongamento da garantia.
3. A garantia cobre todos os defeitos do produto durante o período da garantia devidos a defeitos de fabrico ou de material à data da compra. A garantia está limitada à reparação e/ou substituição e não inclui quaisquer outras obrigações, incluindo mas não se limitando a, perdas complementares ou indirectas. A garantia não é válida se o produto tiver sido utilizado incorrectamente, utilizado de forma contrária ao Manual de Instruções ou se as respectivas ligações tiverem sido feitas incorrectamente. Esta garantia não se aplica ao seguinte:
 - quaisquer danos ao produto que sejam resultado de manutenção incorrecta
 - qualquer produto que tenha sido alterado ou modificado
 - qualquer produto cujas marcações de identificação de origem (marca comercial, número de série) tiverem sido apagadas, alteradas ou retiradas
 - quaisquer danos causados pelo incumprimento do Manual de Instruções
 - qualquer produto que não seja da Comunidade Europeia
 - qualquer produto ao qual tenha sido feita, ou tentada fazer, uma reparação por outra pessoa que não um profissional habilitado ou sem autorização prévia da Techtronic Industries.
 - qualquer produto ligado a uma fonte de alimentação eléctrica incorrecta (Amperes, Voltagem e Frequência)
 - qualquer produto utilizado com uma mistura de combustível incorrecta (combustível, óleo, percentagem de óleo)
 - qualquer dano causado por influências externas (químicas, físicas, impactos) ou substâncias estranhas
 - desgaste e degradação normal de sobresselentes
 - utilização incorrecta, sobrecarga da ferramenta
 - utilização de acessórios ou peças não aprovados
 - quaisquer ajustes periódicos a, ou limpeza de manutenção de, carburadores
 - Componentes (peças e acessórios) sujeitos a desgaste e degradação natural, incluindo mas não se limitando a, maçanetas anti-choque, correias de transmissão, embraiaçagens, lâminas de recortadores de sebes ou cortarelas, arneses, cabos de acelerador, escovas de carvão, cabos eléctricos, dentes, anilhas de feltro, pinos de engate, ventoinhas do soprador, tubos do soprador e do aspirador, cintas e sacos do aspirador, barras de guia, correntes de serra, mangueiras, peças de ligação, bocais de pulverização, rodas, varinhas de pulverização, bobinas interiores, bobinas exteriores, linhas de corte, velas de ignição, filtros do ar, filtros de gasolina, lâminas trituradoras, etc.
4. Para assistência, o produto tem de ser enviado para, ou apresentado em, um posto de assistência autorizado RYOBI, conforme listado para cada país na lista de moradas de postos de assistência seguinte. Nalguns países, o seu concessionário RYOBI local encarrega-se de enviar o produto para a organização de assistência RYOBI. Quando enviar um produto para um posto de assistência RYOBI, o produto deve ser embalado de forma segura, sem conter nenhuns conteúdos perigosos (por exemplo, gasolina), marcado com o endereço do remetente e acompanhado por uma breve descrição da avaria.
5. Uma reparação/substituição ao abrigo desta garantia é gratuita. Não constitui um prolongamento a, nem um novo início de, o período da garantia. As peças ou ferramentas substituídas tornam-se propriedade nossa. Nalguns países, o remetente terá de pagar os custos de entrega ou a remessa postal. Os seus direitos previstos por lei resultantes da compra da ferramenta mantêm-se inalterados
6. Esta garantia é válida na Comunidade Europeia, Suíça, Islândia, Noruega, Liechtenstein, Turquia, Rússia e Reino Unido. Fora destas áreas, entre em contacto com o seu concessionário autorizado RYOBI para determinar se existe outra garantia aplicável.

CENTRO DE ASSISTÊNCIA AUTORIZADO

Qualquer pedido ou problema relacionado com o produto pode ser encaminhado para os seus centros de reparação autorizados locais (visite www.ryobitools.eu) ou directamente para: Techtronic Industries GmbH, Max Eyth Straße 10, 71364 Winnenden, Germany. Indique o número de série e o tipo de produto impressos na etiqueta.

DA RYOBI BETINGELSER FOR GARANTI

Udover lovbestedte rettigheder, som resulterer af købet, er dette produkt dækket af en garanti, som anført herunder.

1. Garantiperioden er 24 måneder for forbrugere og begynder på den dato, som produktet blev købt. Denne dato skal dokumenteres af en faktura eller andet bevis for køb. Produktet er udelukkende designet og dedikeret til forbrugere og privat brug. Så der ydes ingen garanti i tilfælde af professionel eller kommerciel brug.
2. Der er en mulighed for at forlænge garantiperioden for en del af udvalgt af haveværktøj (AC/DC), hen over den ovenfor beskrevne periode vha. registrering på hjemmesiden www.ryobitools.eu. Berettigelsen af værktøjet til forlængelse af garantiperioden er tydeligt vist i butikker og/eller på emballage og indeholdt i produktokumentationen. Slutbrugeren skal registrere hans/hendes nyligt indkøbte værktøj online indenfor 30 dage efter købsdatoen. Slutbrugeren kan registrere sig for den forlængede garanti i sit land, hvis han/hun er opført på den online registreringsformular, hvor denne mulighed er gyldig. Derudover skal slutbrugere give deres samtykke til at opbevare data, som er påkrævet at indstede online, og der er nødt til at acceptere vilkår og betingelser. Registreringsbekræftelseskvitteringen, som sendes ud på e-mail, og den originale faktura, som viser købsdatoen, vil fungere som bevis for den forlængede garanti.
3. Garantien dækker alle defekter, som et produkt måtte have i løbet af garantiperioden, og som skyldes produktionsfejl eller materialefejl på købsdatoen. Garantien er begrænset til reparation og/eller udskitning og inkluderer ikke andre forpligtelser, inklusiv men ikke begrænset til tilfældige skader eller følgeskader. Garantien er ugyldig, hvis produktet er blevet misbrugt, brugt uden at overholde vejledningen, eller det er blevet forkert tilsluttet. Denne garanti gælder ikke:
 - Beskadigelse af produktet, som er et resultat af uegnet vedligeholdelse
 - Et produkt der er blevet ændret eller modificeret
 - Et produkt hvor de originale identifikationsmærkninger (varemærke, serienummer) er blevet ændret, ødelagt eller fjernet.
 - Enhver beskadigelse forårsaget af manglende overholdelse af vejledningen
 - Ethvert ikke CE-produkt
 - Ethvert produkt som er blevet forsøgt repareret af en ukvalificeret professionel eller uden tidligere autorisation af Techtronic Industries.
 - Ethvert produkt som er tilsluttet uegnet strømforsyning (ampere, spænding, frekvens)
 - Ethvert produkt som bruges med uegnet brændstofblanding (brændstof, olie, procentdel olie)
 - Enhver skade forårsaget af eksternt påvirkning (kemisk, fysisk, chok) eller fremmedelementer
 - Normal slid på reservedele
 - Uegnet brug, overbelastning af værktøjet
 - Brug af ikke-godkendt tilbehør eller dele
 - Alle regelmæssige justeringer eller vedligeholdelsesrengøring af karburatorer
 - Komponenter (dele og tilbehør) som er udsat for naturlig slid og ælde, inklusiv men ikke begrænset til drejknapper, drivrem, greb, klinger til hækktrimmere eller plæneklippere, sele, kabel gasspænd, kulbøster, elledning, tænder, filtersiver, ophængstapper, blæseventilatorer, blæser- og sugeslanger, sugespøge og stropper, styrestænger, savkæder, slanger, forbindelsespakninger, sprøjetjyser, hjul, sprøjetæve, indvendige ruller, udvendige ruller, udvendige spoler, skærelinjer, tændrør, luftfiltre, gasfiltre, tildækningsblade etc.
4. For eftersyn skal produktet sendes til eller præsenteres for en RYOBI-autoriseret service værksted, som er oplyst for hvert land i den følgende liste over service værksted adresser. I nogle lande påtager din lokale RYOBI-forhandler sig ansvaret for at sende produktet til RYOBI-serviceorganisationen. Når et produkt sendes til en RYOBI-service værksted, skal det pakkes sikkert inden noget farligt indhold som benzin, mærkes med afsenderens adresse og med en kort beskrivelse af fejlen.
5. En reparation/erstatning under denne garanti er gratis. Den udgør ikke en forlængelse eller en ny start på garantiperioden. Udvekslede dele eller værktøjer bliver vores ejendom. I nogle lande skal leveringsafgifter eller porto betales af afsenderen. Dine lovbestedte rettigheder i forbindelse med købet forbliver uanfægtede
6. Denne garanti gælder i EU, Schweiz, Island, Norge, Liechtenstein, Tyrkiet, Rusland og Storbritannien. Udenfor disse områder bedes du kontakte din autoriserede RYOBI-forhandler for at afgøre, om en anden garanti gælder.

AUTORISERED SERVICE/VÆRKSTEDER

Enhver anmodning eller problem angående produktet kan adresseres til dine lokale autoriserede servicecentre (gå ind på www.ryobitools.eu) eller direkte til: Techtronic Industries GmbH, Max Eyth Straße 10, 71364 Winnenden, Germany. Angiv serienummer og produkttype, der er trykt på etiketten.

SV RYOBI ANVÄNDNINGSVILLKOR FÖR GARANTI

Förutom eventuella lagstadgade rättigheter som uppstår genom köpet, täcks den här produkten av en garanti som anges nedan.

- Garantiperioden är 24 månader för konsumenter och börjar gälla från det datum då produkten köptes. Detta datum måste dokumenteras på en faktura eller annat köpbevis. Produkten är utformad och avsedd för konsumenter och privat bruk. Därmed tillhandahålls ingen garanti vid yrkesmässigt eller kommersiellt bruk.
- Det finns möjlighet att förlänga garantiperioden för en del av utbudet för trädgårdsverktyg (AC/DC) under den period som anges ovan genom att använda registreringen på webbplatsen www.ryobitools.eu. De verktyg som är berättigade till en förlängning av garantiperioden visas tydligt i butik och/eller på förpackningen/och anges i produktdokumentationen. Slut användaren behöver registrera hans/hennes nyförvärvade verktyg online inom 30 dagar från köpdatumet. Slut användaren kan registrera sig för den förlängda garantin i det land där han/hon bor om landet finns angivet i registreringsformuläret online och där detta alternativ är giltigt. Dessutom måste slut användaren ge sitt medgivande till lagring av data vilket krävs vid registrering online samt acceptera villkoren. Bekräftelsekvittot för registreringen som skickas ut via e-post och originalfakturan som visar köpdatumet kommer att gälla som bevis för den förlängda garantin.
- Garantin täcker alla produktdefekter under garantiperioden som beror på buster i utförande eller material vid köpdatumet. Garantin är begränsad gällande reparation och/eller utbyte och inkluderar inte några skyldigheter inklusive men inte begränsat till oförutsedda skador eller följskador. Garantin är inte giltig om produkten har missbrukats, använts i strid med bruksanvisningen eller inte anslutits på rätt sätt. Denna garanti täcker inte:
 - eventuella skador på produkten som uppstått till följd av felaktigt underhåll
 - produkter som har ändrats eller modifierats
 - produkter där ursprungliga identifieringsmärkningar (varumärke, serienummer) har målats över, ändrats eller tagits bort
 - eventuella skador som uppstått till följd av att bruksanvisningen inte efterföljts
 - alla icke CE-produkter
 - eventuella produkter som har försökts repareras av en icke-kvalificerad yrkesman eller utan föregående medgivande från Technronic Industries.
 - eventuella produkter som anslutits till felaktigt strömförsörjning (ampere, volt, frekvens)
 - eventuella produkter som använts med olämplig bränsleblandning (bränsle, olja, oljeprocent)
 - eventuella skador som uppstått till följd av yttre påverkan (kemisk, fysisk, stötar) eller främmande ämnen
 - normalt slitage av reservdelar
 - olämplig användning, överbelastning av verktyget
 - användningen av icke-godkända tillbehör eller delar
 - Eventuella periodiska justeringar av eller vid underhållsrengöring av förgasare
 - Komponenter (delar och tillbehör) är föremål för naturligt slitage, inklusive men inte begränsat till tryckknappar, drivremmar, koppling, blad till kantrimrar eller gräsklippare, sele, gasreglagevajer, kolborstar, strömstadd, spetsar, filterbrickor, kopplingsprint, blåsflikt, blås- och sugrör, sugpåse och remmar, styrskenor, sägkedjor, slangar, anslutningsdonrördel, spraymunstycken, hjul, spraystavar, innerskruvar, ytterskruvar, skärblad, tändstift, luftfilter, gasfilter, sönderdelningsblad osv.
- Vid service måste produkten skickas eller uppvisas för en RYOBI- auktoriserad servicestation som står angiven för varje land i följande adresslista över servicestationer. I vissa länder tar din lokala RYOBI- återförsäljare på sig ansvaret att skicka produkten till RYOBI- serviceorganisationen. När en produkt skickas till en RYOBI-servicestation, ska produkten paketeras säkert utan något farligt innehåll såsom bensin, markeras med avsändarens adress samt en kort beskrivning av felet.
- En reparation/ett utbyte under denna garanti är kostnadsfri. Det utgör inte en förlängning eller förnyelse av garantiperioden. Utbyta delar eller verktyg blir vår egendom. I vissa länder måste leveranskostnader eller porto betalas av avsändaren. Dina lagstadgade rättigheter som härrör från köpet av verktyget förblir opåverkade
- Denna garanti är giltig i Europeiska gemenskapen, Schweiz, Island, Norge, Liechtenstein, Turkiet, Ryssland och Storbritannien. Utanför dessa länder, kontakta din auktoriserade RYOBI-återförsäljare för att avgöra om en annan garanti gäller.

AUKTORISERAT SERVICECENTER

Varje begäran eller problem avseende produkten kan adresseras till ditt lokala auktoriserade servicecenter (besök www.ryobitools.eu) eller direkt till: Technronic Industries GmbH, Max Eyth Straße 10, 71364 Winnenden, Germany. Ange serienumret och produkttypen som anges på etiketten.

FI RYOBI-TAKUUN SOVELTAMISEHDOT

Tällä tuotteella on oston luomien lakisäästeiden oikeuksien ohella alla mainitun mukainen takuu.

- Takuun kesto on kuluttajille 24 kuukautta ja takuu-aika alkaa tuotteen ostohetkestä. Tämän päivämäärän tulee lukea laskussa tai muussa ostositteessä. Tuote on suunniteltu ja tarkoitettu vain kuluttajien ja yksityiseen käyttöön. Takuu ei siis kata ammatti- eikä kaupallista käyttöä.
- Joidenkin puutarhatyökalujen (AC/DC) takuun kesto on mahdollista laajentaa yllä mainittua kestoä pidemmäksi verkkosivuston www.ryobitools.eu rekisteröinnin kautta. Työkalujen kelpoisuus takuujakson laajennukseen näky selkeästi myymälöissä ja/tai pakkauksissa ja/tai tämä tieto sisältyy tuotedokumentaation. Loppukäyttäjän täytyy rekisteröidä vasta hankittu työkalut internetissä 30 päivän kuluessa ostopäivämäärästä. Loppukäyttäjällä voi rekisteröidä laajennettua takuun kolmaansa, jos se on luettuna online-rekisteröintilomakkeessa, jossa mainitaan, missä tämä vaihtoehto on voimassa. Loppukäyttäjien täytyy lisäksi hyväksyä tietojen tallennus, jotka heidän täytyy antaa online-tilassa sekä ehdot. Rekisteröinnin vahvistuskuitti, joka lähetetään sähköpostitse, ja alkuperäinen ostopäivämäärän ilmaiseva lasku toimivat laajennettua takuun toistina.
- Takuu kattaa kaikki tuotteen teknisiin vaurioihin, joiden aiheuttajina ovat tuotteen ostopäivänä olleet valmistus- tai materiaali- vauriot. Takuu on rajoitettu korjaukseen ja/tai vaihtoon eikä se sisällä mitään muita velvoitteita mukaan lukien satunnais- ja seuranaisvahinkoja, mutta rajoittumatta niihin. Takuu ei päde, jos tuotetta on käytetty väärin, käyttöohjeen vastaisesti tai jos se on liitetty virheellisesti. Tämä takuu ei kata:
 - virheellisestä huollosta johtuvia vaurioita
 - muunnettua tai muutettua tuotetta
 - tuotetta, jonka alkuperäiset tunnistemerkinnät (tavaramerkki, sarjanumero) on turmeltu, muutettu tai poistettu
 - tämän käyttöoppaan laiminlyönnistä johtuvia vaurioita
 - ei-CE-tuotetta
 - tuotetta, jota on yrittänyt korjata epäpätevä ammattilainen tai joka on korjattu ilman Technronic Industriesin ennakkolupaa.
 - tuotetta, joka on liitetty virheelliseen tehollisuuteen (ampeirit, jännite, taajuus)
 - tuotetta, jossa on käytetty väärää polttoainesta (polttoaine, öljy, öljyprosentti)
 - ulkoisten vaikutusten (kemiallinen, fyysinen, iskut) tai vieraiden aineiden aiheuttamaa vauriota
 - normaaleja kulumia vaurioita
 - virheellistä käyttöä, työkalun ylikuormitusta
 - ei-hyväksytyjen tarvikkeiden tai osien käyttöä
 - Kaasutinten säännöllistä säätöä tai ylläpitävää puhdistusta
 - Luonnollisesti kulumia komponentteja (osia tai tarvikkeita), joihin sisältyvät puskunupit, käyttöahinat, kytkin, pensasleikkuriin tai ruohonleikkuriin terät, valjaat, kaasuvaijeri, hiiharijat, virtajohto, piikit, huopatiivistet, sokkatapit, puhallintuuletimet, puhallin- ja imuputket, imuriin säkit ja hinnat, terälevyt, sahanketjut, letkut, liitinosa, suihkusuuttimet, pyörät, ruiskutusputket, sisä- ja ulkoelä, leikkusuimat, hehkutulpat, ilmaansuodattimet, kaasusuodattimet, silpputerät yms. näihin kuitenkin rajoittumatta.
- Tuote on lähetettävä huollettavaksi valtuutettuun RYOBI-huoltoon tai näytettävä siellä. Niiden osoitteet kussakin maassa löytyvät seuraavasta luettelosta. Joissakin maissa paikallinen RYOBI-jälleenmyyjä huolehtii tuotteen lähetyksestä RYOBI-huolto-organisaatioon. Kun tuote lähetetään RYOBI-huoltoon, se täytyy pakata hyvin ilman vaarallisia aineita, kuten polttoainetta, ja pakkaukseen täytyy merkitä lähettäjän nimi sekä vian lyhyt kuvaus.
- Takuun kattama korjaus/vaihto on maksuton. Se ei tarkoita takuuaajan laajennusta tai alkamista alusta. Vaihdetut osat tai työkalut siirtyvät valmistajan omistukseen. Joissakin maissa lähettäjän täytyy maksaa lähetyksustannukset tai postikulut. Työkalun oston luomat lakisäästeiset oikeudet pysyvät koskemattomina
- Tämä takuu on voimassa Euroopan yhteisössä, Sveitsissä, Islannissa, Norjassa, Liechtensteinissä, Turkissa, Venäjällä ja Yhdistyneessä kuningaskunnassa. Osa näiden alueiden ulkopuolella yhteyttä omaan valtuutettuun RYOBI-jälleenmyyjään ja selvittää, onko jotain muuta takuuta.

VALTUUTETTU HUOLTO

Kaikki tuotteen liittyvät pyynnöt tai kysymykset voidaan osoittaa paikallisille valtuutetuille huoltoilikeille (katso www.ryobitools.eu) tai suoraan osoitteeseen: Technronic Industries GmbH, Max Eyth Straße 10, 71364 Winnenden, Germany. Ilmoita tarraan painettu sarjanumero ja tuotetyyppi.



NO RYOBI GARANTIBETINGELSER

I tillegg til eventuelle lovbestemte rettigheter som følger av kjøpet, er dette produktet dekket av en garanti som angitt nedenfor.

- Garantiperioden er 24 måneder for konsumenter og gjelder fra den datoen som produktet ble kjøpt. Denne datoen skal dokumenteres med en faktura eller annet kjøpsbevis. Produktet er designet og beregnet kun til konsument- og privat bruk. Så det gis ingen garanti ved profesjonell eller kommersiell bruk.
- For en del av utvalget av hageverktøy (AC/DC) er det mulighet til å utvide garantiperioden i den perioden som er beskrevet ovenfor ved bruk av registreringer på nettsidene www.ryobitools.eu. Kvalifiseringen av verktøyene for en utvidelse av garantiperioden er tydelig vist i butikker og/eller på pakningen / og finnes innen produktdokumentasjonen. Slutbrukeren må registrere sine nylig anskaffede verktøy online innen 30 dager etter kjøpsdato. Slutbrukeren kan registrere seg for den utvidede garantien i sitt land hvis det er opplistet på online registreringsskjemaet der dette alternativet er gyldig. Videre må slutbrukere gi sitt samtykke til oppbevaring av dataene som kreves for å gå online, og de må godta vilkår og betingelser. Registreringsbekreftelsen, som sendes ut på e-post, og den originale fakturaen som viser kjøpsdato, vil tjene som bevis for den utvidede garantien.
- Garantien dekker alle defekter i produktet under garantiperioden på grunn av defekter i uferøse eller materiale på kjøpsdato. Garantien er begrenset til å reparere eller erstatte og inkluderer ikke noen andre forpliktelser, inkludert, men ikke begrenset til, tilfellede eller følgesmessige skader. Garantien er ikke gyldig hvis produktet har blitt misbrukt, brukt på annen måte enn det som beskrives i bruksanvisningen eller er koblet til på feil måte. Denne garantien gjelder ikke for:
 - enhver skade på produktet som er resultat av utilstrekkelig vedlikehold
 - ethvert produkt som har blitt endret eller modifisert
 - ethvert produkt der de originale identifiseringsmerkene (varemerke, serienummer) har blitt uleselig, er endret eller fjernet
 - enhver skade som forårsakes av ikke-overholdelse av instruksjonshåndboken
 - ethvert ikke-CE-produkt
 - ethvert produkt som har blitt forsøkt reparert eller av en ikke-kvalifisert fagperson eller uten tidligere autorisasjon fra Technonic Industries.
 - ethvert produkt tilkoblet feil strømforsyning (ampere, spenning, frekvens)
 - ethvert produkt som brukes med feil drivstoffblanding (drivstoff, olje, prosentandel olje)
 - enhver skade som er forårsaket av eksterne påvirkninger (kjemiske, fysiske, støt) eller fremmede stoffer
 - normal slitasje og sliteservedeler
 - feil bruk, overbelastning av verktøyet
 - bruk av ikke-godkjent tilbehør eller deler
 - Eventuelle periodiske justeringer av eller vedlikeholdsrengjøring av forbrennere
 - Komponenter (deler og tilbehør) som er underlagt naturlig slitasje, inkludert, men ikke begrenset til bulkknott, drivreimer, clutch, blader på hekktrimmere eller gressklippere, seler, kabelspjeld, karbonbørster, strømledning, kniver, feltpakninger, heispinner, blåsevifter, blåse- og vakuumslangler, vakuumpose og reimer, førerstenger, sagkjeder, strømper, koblingsmonteringer, spraydyser, hjul, spraystenger, indre spoler, ytre spoler, kutteliner, tennpluggler, luftfilter, gassfilter, mulchingblader osv.
- For service må produktet sendes eller fremlegges for en RYOBI- autorisert servicestasjon opplistet for hvert land i den følgende listen over servicestasjonsadresser. I noen land sender den lokale RYOBI-forhandleren produktet til RYOBI serviceorganisasjonen. Ved å sende et produkt til en RYOBI servicestasjon skal produktet være sikkert pakket uten noe farlig innhold, slik som bensin, merket med senderens adresse og fulgt av en kort beskrivelse av feilen.
- En reparasjon/erstatning under denne garantien er gratis. Den utgjør ingen forlengelse eller en ny start av garantiperioden. Utvekslede deler eller verktøy blir vår eiendom. I noen land vil leveringskostnader eller franking måtte betales av senderen. Dine lovbestemte rettigheter som oppstår fra kjøp av verktøyet forblir uberørt.
- Denne garantien er gyldig i EU, Sveits, Island, Norge, Liechtenstein, Tyrkia, Russland og Storbritannia. Utenfor disse områdene ta kontakt med din autoriserte RYOBI-forhandler om en annen garanti gjelder.

AUTORISERT SERVICESTER

Enhver forespørsel eller problem med produktet kan henvises til de lokale autoriserte servicestasjonene (se www.ryobitools.eu) eller direkte til: Technonic Industries GmbH, Max Eyth Straße 10, 71364 Winnenden, Germany. Angi serienummer og produkttype som er trykket på etiketten.

RU УСЛОВИЯ ПРИМЕНЕНИЯ ГАРАНТИИ НА ПРОДУКЦИЮ RYOBI

Помимо законных прав, возникающих при покупке, данное изделие покрывается гарантией в соответствии с приведенными ниже пунктами.

- Гарантийный период для покупателя составляет 24 месяца с даты покупки изделия. Дата покупки должна быть подтверждена полностью заполненным гарантийным талоном и чеком о покупке. Данное изделие предназначено только для частного использования покупателем. Поэтому гарантия не распространяется на использование в профессиональных или коммерческих целях.
- Предусмотрена возможность продления для части изделий линейки садовых инструментов (AC/DC) гарантийного периода с помощью регистрации на сайте www.ryobitools.eu. Право инструмента на продление гарантийного периода четко указано в магазинах и / или на упаковке / и содержится в сопутствующей инструменту документации. Конечный пользователь должен зарегистрировать свой приобретенный инструмент в течение 30 дней с даты покупки. Конечный пользователь может зарегистрировать свой инструмент на продление гарантии в стране своего проживания, если она указана в форме онлайн-регистрации. Кроме того, конечный пользователь должен дать свое согласие на хранение данных, которые необходимо ввести в онлайн-форму и принять правила и условия. Подтверждение регистрации, которое вы получите по электронной почте, полностью гарантийный талон и оригинальный чек, в котором указана дата покупки, будут служить доказательством продленной гарантии.
- Гарантия покрывает в течение гарантийного периода все дефекты качества или материала изделия на дату покупки. Гарантия ограничена ремонтом и / или заменой и не включает никакие другие обязательства, включая, но не ограничиваясь случайными или косвенными убытками. Гарантия становится недействительной, если изделие использовалось не по назначению, вопреки инструкциям, данным в Руководстве пользователя или было неправильно подключено. Настоящая гарантия не распространяется на:
 - любые повреждения изделия в результате неправильного технического обслуживания или недостаточного ухода за инструментом
 - любые изделия, подвергшиеся изменениям и модификации
 - любые изделия, оригинальные идентификационные отметки которого (торговая марка, серийный номер) были повреждены, изменены или удалены
 - любые повреждения, вызванные несоблюдением инструкций Руководства пользователя
 - любые изделия, не сертифицированные маркировкой "CE" для продажи в Европейском союзе
 - любые изделия, подвергшиеся попыткам ремонта неквалифицированным работником или без предварительного утверждения компаний Technonic Industries.
 - любые изделия, подключенные к неправильно источнику питания (сила тока, напряжение, частота)
 - любые изделия, в которых использовались несоответствующие топливные смеси (топливо, масло, процент масла)
 - любые повреждения, вызванные внешними воздействиями (химические, физические, удары) или посторонними веществами
 - естественный износ запасных деталей
 - несоответствующее использование, перегрузка инструмента
 - использование неутвержденных аксессуаров и неоригинальных запасных деталей
 - любые регулярные регулировки, техническое обслуживание или чистка карбюраторов
 - компоненты (детали и аксессуары), подверженные естественному износу, включая, но не ограничиваясь фиксаторы шпули приводные ремни, сцепные муфты, лезвия триммеров и газонокосилок, плечевые ремни, кабельный дроссельный регулятор, угольные щетки, кабели питания, зубья, волочные шайбы, фиксирующие шпильки, вентиляторы воздухоуду, трубки воздухоуду и пылесоса, мешок для сбора мусора и ремни, пыльные шины, пыльные щели, шланги, соединительные детали, распылительные насадки, колеса, распылительные переходники, внутренние катушки и шпули, режущую леску, свечи зажигания, воздушные и топливные фильтры, мультицирующие лезвия и др.
- Для проведения технического обслуживания изделие следует направлять в авторизованные сервисные центры RYOBI, указанные для каждой страны в приведенном ниже списке адресов станций сервисного обслуживания. В некоторых странах местные дилеры RYOBI отправляют изделия в сервисные организации RYOBI. При отправке изделия в сервисный центр RYOBI, изделие должно быть безопасно упаковано и не содержать никаких опасных веществ, таких как бензин, должен быть подписан адрес отправителя и сопровождаться кратким описанием неисправности.
- Ремонт / замена проводится в рамках настоящей гарантии бесплатно. Он не продлевает гарантию и не начинает новый гарантийный период. Заменяемые детали и инструменты становятся нашей собственностью. В некоторых странах отправитель должен оплачивать стоимость отправки. Ваши законные права, возникшие при покупке инструмента, остаются неизменными
- Настоящая гарантия действительна в Европейском Сообществе, Швейцарии, Исландии, Норвегии, Лихтенштейне, Турции, России и Великобритании. Вне указанных территорий обращайтесь к своему авторизованному дилеру RYOBI, чтобы узнать, применяются ли условия каких-либо других гарантий.

УПОЛНОМОЧЕННЫЙ СЕРВИСНЫЙ ЦЕНТР

При возникновении проблем с изделием обращайтесь в один из региональных авторизованных сервисных центров (см. www.ryobitools.eu) или напрямую: Technonic Industries GmbH, Max Eyth Straße 10, 71364 Winnenden, Germany. Укажите серийный номер и тип изделия, указанные на табличке.



PL WARUNKI GWARANCJI RYOBI

Oprócz praw ustawowych wynikających z zakupu produkt jest objęty gwarancją, której warunki podano poniżej.

- Okres gwarancji wynosi 24 miesiące dla konsumentów i rozpoczyna się w dniu zakupu produktu. Datę zakupu należy udokumentować fakturą lub innym dowodem zakupu. Produkt został zaprojektowany i jest przeznaczony do użytku konsumenckiego i prywatnego. W związku z tym gwarancja nie obejmuje zastosowań profesjonalnych i komercyjnych.
- Istnieje możliwość wydłużenia okresu gwarancyjnego dla części asortymentu narzędzi ogrodniczych (AC/DC) poprzez zarejestrowanie produktu na stronie internetowej www.ryobitools.eu. Kwalifikowalność narzędzi do wydłużenia okresu gwarancyjnego jest wyraźnie określona w sklepach i/lub na opakowaniu oraz w dokumentacji produktu. Użytkownik końcowy musi zarejestrować nowo kupione narzędzia online w ciągu 30 dni od daty zakupu. Użytkownik końcowy może zarejestrować się w celu przedłużenia gwarancji w swoim kraju zamieszkania, jeżeli jest on wymieniony w formularzu rejestracji online, gdzie opcja ta obowiązuje. Ponadto użytkownicy końcowi muszą wyrazić zgodę na przechowywanie danych, wprowadzanych na stronie internetowej i zaakceptować regulamin. Dowodem wydłużenia gwarancji jest wysłane pocztą elektroniczną potwierdzenie rejestracji i oryginalny faktura potwierdzająca datę zakupu.
- Gwarancja obejmuje wszystkie wady produktu ujawnione w okresie gwarancyjnym wynikające usterek wykonania lub materiału obecných w dniu zakupu. Gwarancja jest ograniczona do naprawy i/lub wymiany i nie obejmuje żadnych innych zobowiązań, w tym między innymi odpowiedzialności za szkody przypadkowe lub wtórne. Gwarancja nie obejmuje, jeżeli produkt był nieprawidłowo używany, używany niezgodnie z instrukcją lub nie był prawidłowo podłączony. Gwarancja nie obejmuje:
 - uszkodzenia produktu wynikającego z nieprawidłowej konserwacji,
 - produktu, który został zmieniony lub zmodyfikowany,
 - produktu, którego oryginalne oznaczenie (znak towarowy, numer seryjny) zostało zniszczone, zmienione lub usunięte,
 - jakiegokolwiek uszkodzeń wynikających z nieprzestrzegania instrukcji,
 - jakiegokolwiek produktu bez certyfikatu CE,
 - jakiegokolwiek produktu, który próbowano naprawić z pomocą niewykwalifikowanej osoby lub bez uzyskania wcześniejszej zgody firmy Technonic Industries.
 - jakiegokolwiek produktu podłączonego nie prawidłowego źródła zasilania (nieprawidłowe nateżenie prądu, napięcie, częstotliwość),
 - jakiegokolwiek produktu, który był używany z nieprawidłową mieszanką paliwową (paliwo, olej, procentowy udział oleju),
 - jakiegokolwiek uszkodzeń spowodowanych wpływem czynników zewnętrznych (chemicznych, fizycznych, drgań) lub substancji obcych,
 - normalnego zużycia części zamiennych,
 - nieprawidłowego użycia, przeciążenia narzędzia,
 - stosowania niezatwierdzonych akcesoriów lub części,
 - jakiegokolwiek okresowych regulacji lub czyszczenia gaźników w ramach konserwacji
 - elementów (części i akcesoriów) podlegających naturalnemu zużyciu, obejmujących, między innymi, kopułki do zwalniania żyłki, pasy napędowe, sprzegło, ostrza przycinarek do żywopłotów lub kosiarzek do trawy, uprząż, przepustnicę linkową, szczołki węglowe, przewód zasilania, zęby, podkładki filcowe, kołki podnośnika, wentylatory dmuchawy, rury nadmuchowe i ssawne, worek na śmieci i paski, prowadnice, łańcuchy piły, węże, mocowanie złącz, dysze natryskowe, koła, przęty natryskowe, szpule wewnętrzne, szpule zewnętrzne, filtry gazu, ostrza do ściółkowania itp.
- W celu serwisowania produkt należy wysłać lub okazać w autoryzowanym punkcie serwisowym RYOBI znajdującym się na przedstawionym poniżej wykazie punktów serwisowych w poszczególnych krajach. W niektórych krajach lokalny dystrybutor produktów RYOBI podejmuje się wysyłki produktu do centrum serwisowego RYOBI. W przypadku wysyłki do punktu serwisowego RYOBI produkt — pozbawiony jakiegokolwiek niebezpiecznych substancji, na przykład benzyny — należy bezpiecznie zapakować i dołączyć adres nadawcy oraz krótki opis usterki.
- Naprawa/wymiana w ramach niniejszej gwarancji jest bezpłatna. Nie stanowi jednak o przedłużeniu lub rozpoczęciu od nowa biegu okresu gwarancyjnego. Wymienione części lub narzędzia stają się naszą własnością. W przypadku niektórych krajów nadawca będzie musiał uregulować koszty dostawy lub opłaty pocztowe. Prawa ustawowe wynikające z zakupu narzędzia pozostają niezmienione.
- Niniejsza gwarancja obowiązuje we Wspólnocie Europejskiej, Szwajcarii, na Islandii, w Norwegii, a także w Liechtensteinie, Turcji, Rosji oraz Zjednoczonym Królestwie Wielkiej Brytanii i Irlandii Północnej. Poza tymi obszarami należy skontaktować się z autoryzowanym dostawcą produktów RYOBI i ustalić, czy obowiązuje inna gwarancja.

AUTORYZOWANY PUNKT SERWISOWY

Wszelkie zapytania i problemy z produktem można zgłaszać do lokalnych autoryzowanych centrów serwisowych (patrz www.ryobitools.eu) lub bezpośrednio do: Technonic Industries GmbH, Max Eyth Straße 10, 71364 Winnenden, Germany. Prosimy o podanie wydrukowanego na etykiecie numeru seryjnego oraz typu produktu.

CS ZÁRUČNÍ PODMÍNKY RYOBI

Kromě zákonných práv vyplývajících z koupě výrobku se na tento výrobek vztahuje také níže uvedené záruka.

- Záruční doba pro spotřebitele je 24 měsíců a začíná datem nákupu výrobku. Datum musí být zaznamenáno na fakturě nebo jiném dokladu o koupi. Tento výrobek je navržen a určen pouze pro soukromé účely spotřebitele. Záruka se tedy nevztahuje na profesionální nebo komerční využití výrobku.
- U některých zahradních nástrojů (AC/DC) je možné záruční dobu prodloužit. K tomu je nutná registrace na stránkách www.ryobitools.eu. Možnost prodloužené záruční doby výrobků je jasně uvedena v prodejních, popř. na obalech nebo v dokumentech o výrobku. Koncový uživatel musí svůj nový nástroj zaregistrovat online do 30 dnů od data nákupu. Koncový uživatel se může k prodloužené záruční době zaregistrovat v zemi trvalého pobytu, pokud je tato uvedena na internetovém registračním formuláři u výrobku, kde je tato možnost dostupná. Koncový uživatel musí dále souhlasit s uložením osobních údajů, která musí zadat na internetu, a přijmout obchodní podmínky. E-mail s potvrzením registrace a původní faktura s datem koupě poslouží jako důkaz o prodloužené záruce.
- Záruka se vztahuje na veškeré vady na výrobku v rámci záruční doby způsobené výrobními vadami nebo vadami materiálu v době koupě. Záruka je omezena na opravu, popřípadě výměnu a nezahrnuje žádné další povinnosti, včetně mimo jiné vedlejších či následných odškodnění. Záruka neplatí při použití výrobku k nevhodným účelům, v rozporu s uživatelskou příručkou nebo při nesprávném zapojení. Záruka se nevztahuje na:
 - veškeré škody na výrobku způsobené nesprávnou údržbou
 - veškeré produkty, které byly pozměněny nebo upraveny
 - veškeré produkty, kde byly původní identifikační prvky (obchodní značka, sériové číslo) poničeny, pozměněny nebo odstraněny
 - veškeré škody způsobené nedodržením podmínek uživatelské příručky
 - veškeré produkty bez CE certifikace
 - veškeré produkty, které se pokusil opravit nekvalifikovaný odborník nebo opravy bez předchozího svolení společnosti Technonic Industries.
 - veškeré produkty zapojené do nesprávného elektrického zdroje (proud, napětí, frekvence)
 - veškeré produkty používané s nevhodnou palivovou směsí (palivo, olej, procento oleje)
 - veškeré škody způsobené externími vlivy (chemickými, fyzickými, nárazy) nebo cizími látkami
 - běžné opotřebování dílů
 - nevhodné použití, přetěžování nástroje
 - použití neschválených příslušenství nebo dílů
 - veškerá pravidelná seřízení nebo čištění v rámci údržby karburátorů
 - komponenty (díly a příslušenství) podléhající opotřebení, včetně mimo jiné nárazových koleček, posuvných pásů, spojek, nožů plovových nůžek a sekaček na trávu, popruhu, plynového lanka, karbonových kartáčů, napájecího kabelu, zubů, plstěných podložek, závesných kolíků, větráků fukaru, trubic fukaru a vysavače, vaku a popruhu vysavače, vodících listů, plových řetězů, hadic, konektorů, trysek, kol, stříkačích tyčí, vnitřních cívek, vnějších kotočů, řezných strun, zapalovačích svíček, vzduchových filtrů, plynových filtrů, mulčovačích nožů atd.
- K provedení servisu musí být výrobek zaslán nebo předán do autorizovaného servisního centra společnosti RYOBI, jejichž adresy jsou uvedeny podle zemí v seznamu servisních center. V některých zemích za vás výrobek pošle servisní organizaci RYOBI sám prodejce výrobků této značky. Při zaslání výrobku do servisního centra RYOBI je potřeba výrobek bezpečně zabalit bez nebezpečného obsahu jako benzín, opatřit adresou odesílatele a připojit krátký popis závady.
- Oprava, popř. výměna v rámci této záruky je zdarma. Neznámená to prodloužení nebo začátek nové záruční lhůty. Vyměněné díly nebo nástroje přejdou do našeho vlastnictví. V některých zemích platí poštovné odesílatele. Vaše zákonná práva vyplývající z koupě tohoto nástroje zůstávají nedotčena.
- Tato záruka platí v Evropském společenství, Švýcarsku, na Islandu, v Norsku, Lichtenštejnsku, Turecku, Rusku a Spojeném království. Mimo tato území kontaktujte autorizovaného prodejce značky RYOBI, který zjistí, zda se na výrobek vztahuje jiná záruka.

POVĚŘENÉ SERVISNÍ STŘEDISKO

S požadavky nebo problémy týkajícími se tohoto výrobku se můžete obracet na místní pověřené servisní středisko (podle www.ryobitools.eu) nebo přímo na: Technonic Industries GmbH, Max Eyth Straße 10, 71364 Winnenden, Germany. Uveďte výrobní číslo a druh výrobku ze štítku.



HU A RYOBI GARANCIA ALKALMAZÁSÁNAK FELTÉTELEI

A vásárlásból adódó törvényben rögzített jogok mellett a termékre az alábbi garancia vonatkozik.

1. A fogyasztói garancia tartama 24 hónap, mely a termék vásárlásának napjával kezdődik. Ezt a dátumot számlával vagy a vásárlást igazoló egyéb dokumentummal kell bizonyítani. A termék rendelése csak fogyasztói és magánéleltel használat. Ezért professzionális vagy kereskedelmi használat esetén a garancia nem érvényes.
2. A kerti szerszámok (egyenáramú/váltóáramú) egy részénél a garancia időtartama a www.ryobitools.eu weboldalon regisztrálva meghosszabbítható. Az áruházakban, a csomagoláson, illetve a termék dokumentációjában egyértelműen jelezzve van, hogy az adott termék garanciája meghosszabbítható-e. A végfelhasználónak a vásárlás dátumától számított 30 napon belül regisztrálnia kell az újonnan vásárolt szerszámot. A végfelhasználó akkor regisztrálhat a kiterjesztett garanciára, ha az ország, ahol lakik, fel van sorolva az online regisztrációs újrapon azon országok között, ahol választható ez az opció. Ezenkívül a végfelhasználónak bele kell egyeznie az online regisztrálás során megadott adatok tárolásába, és el kell fogadnia a felhasználási feltételeket. A kiterjesztett garanciát a regisztráció beérékezéséről e-mailben küldött visszaigazolás és a vásárlás dátumát tartalmazó eredeti számla igazolja.
3. A garancia a termék vásárlásakor fennálló, a gyártás során keletkezett hibákra és anyaghibákra érvényes a garanciális időtartamon belül. A garancia csak a javításra/cserére korlátozódik, és nem terjed ki semmilyen egyéb kötelezettségre, nem kizárólagosan ideértve a véletlen vagy szándékos rongálást. A garancia nem érvényes, ha a termék nem megfelelően, a használati utasításban foglaltakkal ellentétben, illetve nem megfelelően csatlakoztatva használták. A garancia nem vonatkozik:
 - a terméket a nem megfelelő karbantartás következtében ért károsodásra
 - megváltoztatott vagy átalakított termékre
 - olyan termékre, melyen az eredeti azonosítókat (védjegy, sorozatszám) megromlították, megváltoztatták vagy eltávolították
 - a használati utasítás be nem tartásából eredő kára
 - CE jelöléssel nem rendelkező termékekre
 - olyan termékre, melyet nem képzett, illetve a Techtronic Industries által nem fejlesztett szerelő javított
 - nem megfelelő (áramerősségű, feszültségű, frekvenciájú) áramforrásra csatlakoztatott termékre
 - nem megfelelő üzemanyag-keverékkel (üzemanyag, olaj, olaj aránya) használt termékre
 - külső (vegyi, fizikai, ütés) hatásokból vagy idegen anyagokból eredő károokra
 - a cserélhető alkatrészek természetes kopására és elhasználódására
 - a szerszám helytelen használatára, túlterhelésére
 - nem jóváhagyott tartozékok és alkatrészek használatára
 - A karburátorok rendszeres beállítása, karbantartása, tisztítása
 - A természetes kopásnak és elhasználódásnak kitett alkatrészek és kiegészítők, például (de nem kizárólag) damildobok, ékszíjak, foglalatok, sövényvágók és fűnyírók kése, heveder, gázbombák, szénkefék, tápkábel, kultivátorfogak, ficalátétek, akasztószögek, fűvókésülékek ventilátorok, fűvó- és szívócsovek, szívózsák és pántok, terelőrudak, fűrészlánccok, tömlők, csatlakozószerelvények, permetezőfejek, kerekek, permetezőzsárok, belső dobok, külső csévék, vágódamlok, gyújtógyertyák, légszűrők, gázsűrők, mulcsozókések stb.
4. A terméket javításra el kell vinni egy meghatalmazott RYOBI szervizbe; ezeket az egyes országokhoz a következők listában találja. Egyes országokban a helyi RYOBI kereskedő vállalja a termék elszállítását a RYOBI szervizbe. A terméket veszélyes tartalom, például benzin nélkül csomagolva, a feladó címét feltüntetve, a hiba rövid leírásával együtt küldje el a RYOBI szervizbe.
5. A jelen garancia hatálya alatt végzett javítás, illetve csere ingyenes. Nem jelenti a garanciális időtartam újraindulását. A kicserélt alkatrészek és szerszámok a mi tulajdonunkba kerülnek. Egyes országokban a szállítás vagy postázás költségét a feladó viseli. A bevőnek a szerszám megvásárlásából adódó törvényes jogai nem változnak.
6. Ez a garancia az Európai Közösségben, Svájcban, Izlandon, Norvégiában, Liechtensteinben, Törökországban, Oroszországban és az Egyesült Királyságban érvényes. E területen kívül kérdezze meg a RYOBI forgalmazót, hogy milyen garancia van érvényben.

HIVATALOS SZERVIZKÖZPONT

Ha bármilyen kérése vagy problémája van a termékkel kapcsolatban, forduljon a helyi hivatalos szervizközponthoz (látogasson el a www.ryobitools.eu oldalra), vagy közvetlenül ide: Techtronic Industries GmbH, Max Eyth Straße 10, 71364 Winnenden, Germany. Adja meg a címkére nyomtatott sorozatszámot és terméktípust.

RO CONDIȚII DE APLICARE A GARANȚIEI PENTRU PRODUSELE RYOBI

În plus față de condițiile statutare rezultate din achiziționarea acestui produs, acesta este acoperit de garanția stipulată mai jos.

1. Perioada de garanție este de 24 de luni pentru consumatori și începe de la data achiziționării produsului. Data de începere a garanției trebuie demonstrată cu o factură sau altă dovadă a cumpărării produsului. Produsul este destinat și conceput doar pentru utilizare în scopuri personale. Din acest motiv, nu se oferă garanție pentru utilizarea sa în scop profesional sau comercial.
2. Există posibilitatea de extindere a perioadei de garanție pentru gama de unelte electrice pentru grădini (de CA/CC) peste perioada stipulată mai sus prin înscrierea produsului pe website-ul www.ryobitools.eu. Eligibilitatea pentru perioada de extindere a garanției este afișată în mod clar în magazinele de vânzare și/sau pe ambalaj sau este inclusă în documentația livrată împreună cu produsul. Utilizatorul final este obligat să-și înregistreze produsul online în termen de maxim 30 de zile de la achiziția acestuia. Utilizatorul final poate înregistra produsul pentru garanția extinsă oferită în țara sa de rezidență dacă aceasta este listată în formularul de înregistrare online și dacă această opțiune este validă. În plus, utilizatorul final trebuie să-și dea acordul pentru stocarea datelor personale solicitate la înregistrarea online și trebuie să accepte termenii și condițiile. Mesajul de confirmare a înregistrării, trimis prin e-mail și factura originală cu data achiziției vor dovedi perioada de garanție extinsă.
3. Garanția acoperă toate defecțiunile produsului survenite în perioada de garanție datorate defectelor de execuție sau materialelor folosite, începând cu data achiziției acestuia. Garanția este limitată la reparare și/sau înlocuire și nu include alte obligații, inclusiv, dar fără a se limita la daune accidentale sau rezultate pe cale de consecință. Garanția își pierde valabilitatea dacă produsul este utilizat necorespunzător, utilizat neconform cu instrucțiunile de utilizare din manualul cu instrucțiuni sau conectat incorect. Garanția nu se aplică în cazul:
 - oricărei defecțiuni survenite în urma întreținerii necorespunzătoare a produsului
 - oricărui produs alterat sau modificat
 - oricărui produs la care inscripțiile cu datele de identificare (marca comercială, numărul de serie) au fost șterse, modificate sau îndepărtate
 - oricărei defecțiuni datorate neconformării cu instrucțiunile din manualul de utilizare
 - oricărui produs neretificat CE
 - oricărui produs asupra căruia au fost efectuate tentative de reparare de către personal necalificat sau fără autorizație prealabilă din partea Techtronic Industries.
 - oricărui produs conectat la o sursă de alimentare necorespunzătoare (curent, tensiune, frecvență)
 - oricărui produs utilizat cu un amestec de carburant necorespunzător (combustibil, ulei, proporții de adaos uleri)
 - oricărui defecțiuni datorate unor influențe externe (chimice, fizice, șocuri) sau substanțe străine
 - uzurii și fisurării normale a pieselor de rezervă
 - utilizării neadevurate, suprasolicitei unei unelte
 - utilizării de piese și accesorii neaprobate
 - Orice operații de curățare sau reglare periodică a carburatoarelor
4. Componentele (piese și accesorii) supuse uzurii și defecțiilor normale, care includ, fără a se limita la manșona de protecție, curele de transmisie, ambreiaj, lamele de la tăietoarele de arbore sau gazon, hamașamente, cablu de accelerație, perii de cărbune, cordon de alimentare, dinți, discuri de păslă, știfturi de siguranță, ventilatoare de suflantă, tuburi de aspirare sau suflare, sac de colectare resturi și banda de susținere a acestuia, bare de ghidare, lanțuri de fierăstrău, furtunuri, accesorii de conectare, duze de pulverizare, volante, baghete de pulverizare, moșoare interne, carcase exterioare pentru moșoare, fire tăietoare, bujii, filtre de aer, filtre de gaz, lame de tocător, etc.
5. Pentru efectuarea reparațiilor, produsul trebuie trimis sau adus la un centru de reparații autorizat RYOBI din lista următoare de centre de reparații prezentate pentru fiecare țară. În anumite țări, reprezentatul local RYOBI va trimite produsul spre reparare la sediul central de reparații RYOBI. Atunci când trimiteți produsul spre reparare la un centru de reparații RYOBI, acesta trebuie ambalat în siguranță, fără conținut periculos (cum ar fi benzină), marcat cu adresa expeditorului și însoțit de o scurtă descriere a defectului.
6. Repararea/înlocuirea în perioada de garanție este gratuită. Aceasta nu este însoțită de o prelungire sau o reințiere a perioadei de garanție. Piesele sau untele schimbate devin proprietatea dvs. În anumite țări, taxele de expediție sau poștale vor fi suportate de expeditor. Drepturile dvs. statutare rezultate din achiziția produsului rămân neschimbate
7. Această garanție este valabilă în Comunitatea Europeană, Elveția, Islanda, Norvegia, Liechtenstein, Turcia, Rusia și Marea Britanie. În afara acestor zone, vă rugăm să contactați reprezentantul dvs. local RYOBI pentru a determina dacă se aplică alt tip de garanție.

CENTRU DE SERVICE AUTORIZAT

Orice întrebare sau problemă în legătură cu produsul se poate adresa la centrele locale autorizate de service (vizitați www.ryobitools.eu) sau direct la: Techtronic Industries GmbH, Max Eyth Straße 10, 71364 Winnenden, Germany. Vă rugăm să specificați numărul de serie și tipul de produs tipărite pe eticheta.



LV RYOBI GARANTĪJAS PIEMĒROŠANAS NOSACĪJUMI

Papildus jebkādam likumiskajām tiesībām, kuras rodas, veicot pirkumu, izstrādājums tiek nodrošināts ar tālāk tekstā noteikto garantiju.

1. Garantijas periods patērētājam ir 24 mēneši, tā atskaite tiek sākta no datuma, kad veikta izstrādājuma iegāde. Šim datumam jābūt dokumentētām rēķinā vai citā pirkumu apliecināšā dokumentā. Izstrādājums ir radīts un paredzēts tikai patērētāja privātai lietošanai. Saisītība ar iepriekšminēto, garantija netiek nodrošināta profesionālas vai komerciālas lietošanas gadījumā.
2. Pastāv iespēja pagarināt daļas no dārza instrumentu klāsta (Mainstrāvas/akumulatoru) garantiju ilgāk par iepriekš minēto periodu, izmantojot reģistrāciju interneta vietnē www.ryobitools.eu. Instrumenti, kas pakļauti garantijas perioda pagarināšanai, tiek skaidri apzīmēti veikalos un/vai uz iepakojuma un izstrādājumu komplektējošajā dokumentācijā. Gala lietotājam nepieciešams reģistrē tālruni un jauno instrumentu 30 dienu laikā no pirkuma datuma. Gala lietotājs var reģistrēties pagarinātājam garantijai savā mītnes valstī, ja tā minēta lietošanas reģistrācijas veidlapā, kurā šī iespēja ir aktīva. Bez tam, gala lietotājam ir jāsniedz piekrišana lietošanas ieviešanai nepieciešamo datu glabāšanai un jāpiekrīt noteikumiem un nosacījumiem. Reģistrācijas apstiprinājums, kas tiek nosūtīts, izmantojot e-pastu, un rēķina oriģināls, kurā norādīts iegādes datums, kalpo kā pagarinātās garantijas apstiprinājums.
3. Garantija attiecas uz visiem izstrādājuma defektiem garantijas periodā, kas saistīti ar ražošanas vai materiālu defektiem no pirkuma datuma. Šī garantija tiek ierobežota ar remontu un/vai nomainītu un neietver jebkādas citas saistības, tajā skaitā, bet ne tikai, cēloņsakarīgos vai saistītos bojājumus. Garantija nav spēkā, ja izstrādājums ir nepareizi lietots, izmantots pretēji norādē lietošanas rokasgrāmātā vai bijis nepareizi pieslēgts. Šī garantija netiek attiecināta uz:
 - jebkādām izstrādājuma bojājumiem, kas radušies nepareizas uzturēšanas rezultātā
 - jebkuru izstrādājumu, kas ticis pārveidots vai mainīts
 - jebkuru izstrādājumu, kura oriģinālās identifikācijas (preču zīme, sērijas numurs) marķējums ir ticis nodzēsts, mainīts vai noņemts
 - jebkādiem bojājumiem, kuri radušies neievērojot norādes lietošanas rokasgrāmātā
 - jebkādam izstrādājumam bez CE sertifikācijas
 - jebkaram izstrādājumam, kura remontu mēģinājis veikt nekvalificēts personāls vai bez Technonic Industries iepriekšējas autorizācijas.
 - jebkaram izstrādājumam, kurš bijis pieslēgts neatbilstošu parametru (strāvas, sprieguma, frekvences) sprieguma avotam
 - jebkaram izstrādājumam, kurš bijis izmantots ar nepareizi degvielas maisījumu (degviela, eļļa, eļļas procentuālais saturs)
 - jebkuriem bojājumiem, kuri radušies ārējas iedarbības (ķīmiskas, fiziskas, triecieni) vai vielu ietekmē
 - detaļu normāla lietošanas nodiluma rezultātā
 - nepareizas lietošanas vai instrumentu pārslodzes rezultātā
 - neapstiprinātu detaļu vai aprīkojuma lietošanas rezultātā
 - jebkādos periodiskus karburatoru regulēšanas darbus vai apkopes tīrīšanu
 - Komponentus (daļas un aksesuārus), kas pakļauti dabīgām nodilumam, ieskaitot, bet neaprobežojoties ar atsitiena pogām, piedziņas siksniņām, sajūgieņiem, krūmu šķēru un plaujmašīnu asmeņiem, uzakbēm, droseļu trosītēm, oglekļa sukām, elektrības vadiem, tapām, fīca aplākšņiem, sakabes tapām, pūtēja ventilatoriem, pūtēja un sūkšanas caurulēm, savākšanas maisiem un siksniņām, vadotņu plankām, zaģu ķēdēm, šļūtenēm, savienojumu uzgaļiem, izsmidzinātāja uzgaļiem, riteniem, izsmidzinātāja caurulēm, iekšējām spoļēm, ārējām spoļēm, plaušanas auklām, aizdedzes svečēm, gaisa filtriem, degvielas filtriem, mulčēšanas asmeņiem, utt.
4. Servisa nodrošināšanai, izstrādājums ir jānodod pilnvarotā RYOBI servisa centrā, kas norādīts katrai valstij tālāk minētajā servisa centru adresē sarakstā. Dažās valstīs Jūsu vietējais RYOBI izplatītājs uzņemas izstrādājuma nosūtīšanu uz RYOBI servisa organizāciju. Nosūtot izstrādājumu uz RYOBI servisa centru, izstrādājuma jābūt droši iepakotam, tas nedrīkst saturēt bīstamas vielas kā degvielu, sūtiĶjumu jābūt marķētam ar sūtiĶjāja adresi un īsu ķĶmes aprakstu.
5. Remonts/nomainīšana šīs garantijas ietvaros ir bezmaksas. Tas nerada garantijas perioda pagarināšanu vai jaunu garantiju. Nomainītās daļas vai instrumentu ķĶst par mūsu īpašumu. Dažās valstīs piegādes vai pasta izmaksas būs jāapmaksā sūtiĶjājam. Jūsu likumiskās tiesības, kas nodibinātas, iegādājoties instrumentu, paliek nemainīgas.
6. Šī garantija ir spēkā Ķropos Krievijā, Šveicē, Islandē, Norvēģijā, Lichtenšteinā, Turcijā, Krievijā un Ķpvienotajā Karalistē. Ķrpus šīm teritorijām, ūdzu, saistīties ar Jūsu pilnvaroto RYOBI izplatītāju, lai noteiktu, vai ir piemērojama cita garantija.

AUTORIZĒTIS APKALPOŠANAS CENTRS

Ar jebkuru pieprasījumu vai problēmu, kas saistīta ar produktu, var vērsties Jūsu vietējā pilnvarotā servisa centrā (apmeklējiet www.ryobitools.eu) vai tieši pie: Technonic Industries GmbH, Max Eyth StraĶe 10, 17364 Winnenden, Germany, ūdzu, norādiēt sērijas numuru un produkta tipu, kas norādiēt uz etiķeti.

LT „RYOBI“ GARANTĪJOS TAIKĶMO SĶLYGOS

Papildant bet kokias įstatymuose numatytas perkant atsirandancias teises, űiam įrenginiui taikoma toliau nurodyta garantija.

1. Vartotojams suteikiama 24 mėnesių trukmės garantija nuo įrenginio įsigijimo datos. Ši data turi būti nurodyta sąskaitoje faktūroje ar kitame pirkimą įrodančiame dokumente. Šis įrenginys skirtas tik vartotojui rinkai ir asmeniniam naudojimui. Todėl garantija netaikoma, jei įrenginys naudojamas profesinėms ar komercinėms reikmėms.
2. Įsigijus tam tikrus sodo įrenginius (AC/DC), suteikiama galimybė pratęsti garantiją, kad ji galiojot ilgiau, nei nurodyta pirmiau, naudojantis registracija interneto svetainėje www.ryobitools.eu. Ar galima pratęsti įrenginio garantiją laikotarpi, aiškiai nurodoma parduotuvėse ir (arba) ant įrenginio pakuotės, ir (arba) įrenginio dokumentuose. Galutinis naudotojas turi užregistruoti savo naujai įsigytą įrenginį per 30 dienų nuo įsigijimo datos. Galutinis naudotojas gali registruotis išplėstinei garantijai savo gyvenamojoje šalyje, jei ji nurodyta internetinėje registracijos formoje, kurioje siūloma tokia galimybė. Be to, galutiniai naudotojai turi sutikti su duomenų, kuriuos reikia įvesti internetu, saugojimu ir svetainės naudojimo sąlygomis. Kaip išplėstinės garantijos įrodymą naudojamas registracijos patvirtinimo kvitas, atsiunčiamas el. paštu, ir originali sąskaita faktūra, kurioje nurodyta įsigijimo data.
3. Ši garantija apima visus garantiniu laikotarpiu aptiktus įrenginio trūkumus, atsiradusius dėl gamybos arba medžiaginių defektų nuo įsigijimo datos. Ši garantija ribojama remonto ir (arba) pakeitimu, ji neapima jokių űių įsipareigojimų, įskaitant (bet tuo neapsiribojant) űalutinius arba antrinius nuostolius. Garantija anuliuojama, jei įrenginys buvo naudojamas netinkamai, naudojamas ne pagal naudojimo instrukciją arba netinkamai prijungtas. Ši garantija netaikoma:
 - jebkuri įrenginiai padarytai űalai, kurių lėmė netinkama techninė priežiūra;
 - jokiai įrenginiui, kuris buvo keičiamas ar modifikuojamas;
 - jokiai įrenginiui, kurio originalūs identifikavimo ženklai (prekės ženklas, serijos numeris) buvo sugadinti, pakeisti arba pašalinti;
 - jokiai űalai, kurią lėmė naudojimo instrukcijos nesilaikymas;
 - jokiems CE Ženklu nepažymėtiems įrenginiams;
 - jokiai įrenginiui, kurį bandė remontuoti nekvalifikuoti asmenys arba kuris buvo remontuojamas be „Technonic Industries“ leidimo;
 - jokiai įrenginiui, kuris buvo prijungtas prie netinkamo maitinimo tinklo (netinkamos srovės, įtampos, dažnio);
 - jokiai įrenginiui, kuris buvo naudojamas su netinkamu degalų mišiniu (degalai, alyva, maitinamoji santykis);
 - jokiai űalai, kurią lėmė išorinis poveikis (cheminis, fizinis, smūgiai) arba pašalinės medžiagos;
 - dėvimosioms dalims;
 - netinkamam naudojimui, įrenginio perkrovai;
 - nepatvirtintų priedų arba dalių naudojimui;
 - Jokiai reguliariam karburatorių reguliavimui arba priežiūros ir valymo darbams
 - Komponentams (dalims ir priedams), kurie natūraliai dėvėsi, įskaitant (bet tuo neapsiribojant) spyruoklines galvutes, pavarų diržus, sankabą, gyvatvorinį genėtuvą ar űoliapjovių geležtes, diržus, trosinį droselį, anglinius šepetėlius, maitinimo kabelį, virbus, fetro poveržles, prikabinimo kaiščius, pūstuvo ventilatorius, pūstuvo ir siurblio vamzdžius, siurblio maišą ir diržus, kreipiamuosius strypus, pjūko grandines, žarneles, jungiamąsias detales, purškimo antgalius, ratus, purškimo liestukus, vidines rėtes, išorines rėtes, pjovimo vielą, uždegimo űvakes, oro filtrus, dujų filtrus, mulčiavimo geležtes ir pan.
4. Prireikus atlikti priežiūros darbus, įrenginį reikia siųsti arba atveűti RYOBI įgaliojotam priežiūros centrui, nurodytam kiekvienos űalies priežiūros centrų adresų sąraše. Kai kuriose šalyse vietinis RYOBI atstovas siunčia įrenginį RYOBI priežiūros organizacijai. Siunčiant įrenginį RYOBI priežiūros centrui, reikiai saugiai jį supakuoti pašalinant visas pavojingas medžiagas, pvz., benzina, nurodant ant pakuotės siuntėjo adresą ir pridėti trumpą gedimo aprašymą.
5. Pagal űią garantiją remontas / keitimas atliekamas nemokamai. Tokie veiksmai nelaikomi garantijos pratęsimu arba nauju garantinio laikotarpio pradžia. Dalyk arba įrenginiai, kuriuos pakeičiame, tampa mūsų nuosavybe. Kai kuriose šalyse pristatymo ir pašto išlaidas turi padengti siuntėjas. Įstatymuose numatytos Jūsų teisės, atsirandancias perkant įrenginį, lieka nepakeistos.
6. Ši garantija galioja Europos Bendrijos šalyse, Šveicarijoje, Islandijoje, Norvegijoje, Lichtenšteinėje, Turkiijoje, Rusijoje ir Jungtinėje Karalystėje. Jei gyvenate ne űiose šalyse, kreipkitės į įgaliojotą RYOBI atstovą ir suűnokite, ar jums taikoma kita garantija.

ĮGALIOJOTAS TECHINIS PRIEŽIŶROS CENTRAS

Jei turite kokių nors pageidavimų ar problemų, susijusių su űiuo gaminiu, galite kreiptis į artimiausią įgaliojotą techninės priežiūros centrą apsilankydami www.ryobitools.eu arba tiesiogiai: Technonic Industries GmbH, Max Eyth StraĶe 10, 17364 Winnenden, Germany. Nurodykite etiketėje išspausdintą serijos numerį ir gaminio tipą.

ET RYOBI GARANTIINGIMUSED

Lisaks toote ostust tulenevatele seadusjärgsetele õigustele, kehtib tootele ka alloodud garantiaga.

1. Tarbijatele on garantiiaeg 24 kuud ja algab sellel kuupäeval, mil toode osteti. Selle kuupäeva tõestuseks on vaja arvet või mõnda teist tõendit ostu sooritamise kohta. Toode on mõeldud eratarbijate ainult isiklikuks kasutamiseks. Seega ei kehti garantii ostu kasutamisel kusetsegevuses või kaubanduslikel eesmärkidel.
2. Teatud osale (vahelduvvoolu/alisvoolu) aiatööriistadele on võimalik pikendada eespool toodud garantiiaega, kasutades toote registreerimist veebilehel www.ryobitools.eu. Teave tööriista võimaliku pikendatud garantiiaja kohta on selgelt esile toodud poodides ja/või pakendil / ning see sisaldub toote dokumentatsioonis. Lõpptarbijaja peab registreerima oma uued tööriistad interneti teel 30 päeva jooksul pärast ostupaeva. Lõppkasutaja võib registreerida pikendatud garantiiaja saamise oma elukohariigis, kui veebis olevas registreerimisvormis on see valik lubatav. Lisaks peavad kasutajad andma oma nõusoleku veebis nõutud sisestatavate andmete säilitamiseks ning nad peavad nõustuma tingimustega. E-posti teel saadetak registreerimise kinnitus ja arve originaal, kus on näha ostu sooritamise kuupäev, on pikendatud garantiiaja tõestuseks.
3. Garantii katab kõik defektid toote garantiiaja jooksul, kui ostu kuupäeval ilmnevat talitlus- või materjalivead. Garantii piirub toote remondi ja/või väljavahetamisega ning ei sisalda muid kohustusi, muu hulgas ettenägematud või kaudseid kahjusid. Garantii ei kehti, kui toodet ei ole kasutatud sihtotstarbelselt või kooskõlas kasutusjuhendiga või see on valesti ühendatud. Garantii ei kehti järgmistel põhjustel:
 - toode on kahjustatud vale hoolduse tõttu
 - toodet on muudetud
 - toote algupärased identifitseerimismärgised (kaubamärk, seerianumber) on rikutud, muudetud või eemaldatud
 - kahju on tekkinud kasutusjuhendi mittejärgimisest
 - tootel puudub CE-märk
 - toodet on pöödnud remondita vastavalt kvalifikatsiooni mitte omav isik või ilma firma Technronic Industries eelneva loata.
 - toode on ühendatud valesse toiteallikasse (voolutugevus, pinge, sagedus)
 - tootega kasutatud sobimatut kütusesegu (kütus, õli, õli protsent)
 - välismõjude (keemilised, füüsilised, elektrilöögid) või võrkehade tekitatud kahju
 - tavapärase kulumine ja katkised varuosad
 - ebaõige kasutamine, tööriista ülekoormamine
 - heakskiitmata tarvikute või osade kasutamine
 - Karburaatorite korralised reguleerimistööd või hooldus- ja puhastustööd
4. Hooldeks peab toode saatma või viima RYOBI volitatud teenindusse, mille aadressi leiate järgnevast teeninduspunkti nimekirjast vastava riigi alt. Mõnedes riikides võib kohalik RYOBI edasimüüja enda kanda kohustuse saata toode RYOBI teenindusorganisatsiooni. Toote saatmisel RYOBI teenindusse peab toode olema ohutult pakitud ja ei tohi sisaldada ohtlikke aineid (nt bensiini), kirjas peab olema saatja aadress ja lisatud vea lühikirjeldus.
5. Garantii alusel tehtavad remonditööd / asendamine on tasuta. See ei pikenda garantiit kehtivusaega ega tähistu uue garantiiaja algust. Väljavahetatud osad või tööriistad kuuluvad meile. Mõnedes riikides maksab kätetoimetamis- ja postikulud saatja. Teile jäävad kehtima tööriista ostust tulenevad seadusjärgsed õigused
6. See garantii kehtib Euroopa Liidus, Šveitsis, Islandil, Norras, Liechtensteinis, Türgis, Venemaal ja Ühendkuningriigis. Väljaspool neid piirkondi võtke ühendust volitatud RYOBI edasimüüjaga, et teha kindlaks kas kehtib mõni teine garantii.

VOLITATUD HOOLDUSKESKUS

Tootega seotud päringute või probleemide korral pöörduge kohaliku volitatud hoolduskeskuse poole (vt www.ryobitools.eu) või otse aadressile: Technronic Industries GmbH, Max Eyth Straße 10, 71364 Winnenden, Germany. Märkige ära sildil olev seerianumber ja toote tüüp.

HR UVJETI PRIMJENE JAMSTVA TVRTKE RYOBI

Osim svim zakonskim pravima koja proizlaze iz kupnje, ovaj je proizvod pokriven jamstvom kako je navedeno u nastavku.

1. Jamstveno razdoblje za potrošače traje 24 mjeseca i počinje s datumom na koji je proizvod kupljen. Taj datum mora se dokumentirati računom ili drugim dokazom o kupnji. Proizvod je konstruiran i namijenjen samo za privatnu upotrebu korisnika. Stoga se jamstvo ne daje u slučaju profesionalne ili komercijalne uporabe.
2. Postoji mogućnost da se za dio asortimana vrtnih alata pokrene izmjeničnom strujom (AC/DC) produži gore navedeno jamstveno razdoblje putem registriranja na mrežnom mjestu www.ryobitools.eu. Uvjeti koje je potrebno zadovoljiti kako bi se produžilo jamstveno razdoblje jasno su istaknuti u prodavaonicama i / ili na pakiranju / i nalaze se unutar dokumentacije proizvoda. Krajnji korisnik mora registrirati svoje novo kupljene alate na mreži u roku od 30 dana od datuma kupnje. Krajnji korisnik može se registrirati za produženo jamstvo u svojoj zemlji boravišta ako se nalazi na popisu u mrežnom obrascu za registraciju gdje je ta opcija važeća. Nadalje, krajnji korisnici moraju dati svoj pristanak na pohranu podataka koji su potrebni za mrežni ulazak i moraju prihvatiti odredbe i uvjete. Potvrda o prijemu registracije, koja se šalje putem e-pošte, kao i originalni račun s vidljivim datumom kupnje poslužiti će kao dokaz produženog jamstva.
3. Jamstvo pokriva sve nedostatke proizvoda tijekom jamstvenog razdoblja koji su nastali zbog neispravnosti prilikom izrade ili materijala s datumom kupnje. Jamstvo je ograničeno na popravak i/ili zamjenu i ne obuhvaća nikakve druge obveze, uključujući, ali ne ograničavajući se na slučajne ili posljedniče štete. Jamstvo ne vrijedi ako je proizvod bio zlorabljivan, korišten u suprotnosti s priručnikom s uputama ili ako je izgledno spojeno. Ovo jamstvo ne primjenjuje se na:
 - svako oštećenje proizvoda koje je rezultat nepravilnog održavanja
 - svaki proizvod koji je izmijenjen ili modifikiran
 - svaki proizvod gdje su originalne identifikacijske oznake (zaštitni znak, serijski broj) izbrisane, zamijenjene ili uklonjene
 - svako oštećenje uzrokovano nepravilnim državanjem korisničkog priručnika
 - svaki proizvod koji nije CE
 - svaki proizvod koji je pokušao popraviti ne kvalificirani profesionalac ili bez prethodnog odobrenja od strane Technronic Industries
 - svaki proizvod priključen na nepravilno napajanje energijom (amperi, napon, frekvencija)
 - Svaki proizvod korišten s neodgovarajućom mješavinom (gorivo, ulje, postotak ulja)
 - svako oštećenje uzrokovano vanjskim utjecajima (kemijsko, fiziko, udar) ili stranim stvarima
 - normalno trošenje i habanje rezervnih dijelova
 - nepravilno korištenje, preopterećenje alata
 - korištenje neodobrenog dodatnog pribora ili dijelova
 - rasplinjača nakon 6 mjeseci, podešavanje rasplinjača nakon 6 mjeseci
 - komponente (dijelovi i dodatni pribor) koji su predmet prirodnog trošenja i habanja, uključujući no ne ograničavajući se na gume za otuštanje, pogonske remene, spojku, oštrice trimera za grmlje ili kosilicu, kope, salje gasa, ugljene četke, kabele za napajanje, noževe, podloške, ztike za zglobnu vezu, ventilatore puhalice, cijevi za ispuhivanje i usisavanje, vakuumske vrećice i trake, vodilice, lance pile, crijeva, priključene elemente, mlaznice za raspršivanje, kotače, koplja za raspršivanje, unutarnje kolute, vanjske kalame, flaksove, svjećice, filtre za zrak, filtre za plin, oštrice za usitnjavanje itd.
4. Za potrebe servisiranja, proizvod se mora poslati ili odnijeti u ovlaštenu servisnu postaju tvrtke RYOBI navedenu na slijedećem popisu s adresama servisnih postaja u svakoj zemlji. U nekim zemljama, vaš lokalni RYOBI zastupnik obvezuje se da će poslati proizvod u servisnu organizaciju tvrtke RYOBI. Kada se proizvod šalje u neku servisnu postaju tvrtke RYOBI, proizvod se mora sigurno pakirati bez ijednog od opasnih sadržaja kao što je benzin, na njemu mora pisati adresa pošiljatelja i mora biti popraćen kratkim opisom kvara.
5. Popravak / zamjena pod ovim jamstvom su besplatni. Oni ne predstavljaju produženje ili novi početak jamstvenog razdoblja. Zamijenjeni dijelovi ili alati postaju naše vlasništvo. U nekim državama troškove isporuke ili poštarinu mora platiti pošiljatelj. Vaša zakonska prava koja proizlaze iz kupnje alata ostaju nepromijenjena
6. Ovo jamstvo je valjano u zemljama Europske zajednice, Švicarskoj, Islandu, Norveškoj, Lihtenštajnu, Turskoj, Rusiji i Ujedinjenoj Kraljevini. Izvan tih područja vas molimo da se obratite svojem ovlaštenom zastupniku tvrtke RYOBI kako biste utvrdili primjenjuje li se drugo jamstvo.

OVLAŠTENI SERVISNI CENTAR

Za svaki zahtjev ili problem s proizvodom možete se obratiti vašim ovlaštenim servisnim centrima (posjetite adresu www.ryobitools.eu) ili izravno na: Technronic Industries GmbH, Max Eyth Straße 10, 71364 Winnenden, Germany. Navedite serijski broj i vrstu proizvoda očitunu na naljepnici.

SL POGOJI ZA VELJAVNOST GARANCIE RYOBI

Poleg morebitnih zakonsko določenih pravic, ki izvirajo iz nakupa, za ta izdelek velja spodaj navedena garancija.

- Garancijsko obdobje je za potrošnike 24 mesecev in začne teči z dnem nakupa izdelka. Ta datum mora biti dokumentiran z računom ali drugim dokazilom o nakupu. Izdelek je zasnovan in namenjen izključno za potrošniško zasebno uporabo. V primeru strokovne oziroma komercialne uporabe izdelka garancija ne velja.
- Obstaja možnost podaljšanja garancije na del naših ponudbe vrtnih orodij (AC/DC) prek obdobja garancije, opisanega zgoraj, s pomočjo registracije na spletnem mestu www.ryobitools.eu. Ustreznost orodij za podaljšanje garancijskega obdobja je jasno prikazana v trgovinah in/ali na embalaži oziroma je navedena v dokumentaciji izdelka. Končni uporabnik mora registrirati svoje novo orodje na spletu v 30 dneh po datumu nakupa. Končni uporabnik lahko registrira podaljšano garancijo v svoji državi bivanja, če je na obrazcu spletne registracije navedeno, da ta možnost velja za njegovo državo. Poleg tega morajo končni uporabniki podati svoje soglasje za shranjevanje podatkov, ki so potrebni za spletni dostop in morajo sprejeti pogoje in določila uporabe spletnega mesta. Potrdilo o registraciji, ki ga pošljemo prek e-pošte, in originalni račun, ki prikazuje datum nakupa, služita kot dokazilo o podaljšani garanciji.
- Garancija krije vse okvare izdelka, do katerih pride v garancijskem obdobju zaradi napak v izdelavi ali materialu, ki so bile prisotne ob datumu nakupa. Garancija je omejena na popravilo in/ali zamenjavo in ne vključuje nobenih drugih obveznosti, med drugim vključno z naključno ali posledično škodo. Garancija ne velja, če je bil izdelek napačno uporabljen, uporabljen v nasprotju z navodili iz priložnice za uporabo ali če ni bil pravilno povezan. Ta garancija ne velja za:
 - škodo na izdelku, ki je posledica neustreznega vzdrževanja
 - spremenjen ali prilagojen izdelek
 - izdelek, katerega originalna identifikacijska oznaka (blagovna znamka, serijska številka) je bil poškodovan, spremenjen ali odstranjen
 - škodo, ki je posledica neupoštevanja navodil iz priložnice za uporabo
 - izdelek, ki nima oznake CE
 - izdelek, ki ga je poskušal popraviti ne kvalificiran strokovnjak ali ki je bil popravljen brez predhodne odobritve s strani družbe Technonic Industries.
 - izdelek, ki je bil povezan na neustrezno napajanje (amperska moč, napetost, frekvenca)
 - izdelek, ki je bil uporabljen z neustrezno mešanico goriva (gorivo, olje, odstotek olja)
 - škodo, ki jo povzročijo zunanji vplivi (kemični, fizični, mehanski) ali tuje snovi
 - rezervne dele, ki so podvrženi običajni uporabi
 - neprimerno uporabo, preobremenitev orodja
 - uporabo neodobrenih dodatkov ali delov
 - Vsako redno prilagajanje ali vzdrževalno čiščenje uplinjačev
 - Komponente (sestavni in rezervni deli), ki so podvrženi običajni obrabi, med drugim vključno z gumbi odbijaka, pogonskimi jermeni, sklopko, rezili obrezovalnikov za žive meje ali kosilnic za trato, nosilnimi pasovi, kablji, dušilnimi ventili, oglikovimi krtačami, napajalnimi kablji, zobci, tesnilni iz filca, vezilni zatčiči, ventilatorji pihalnika, cevni pihalnika in sesalnika, vrečko in pasovi sesalnika, vodilnimi palicami, verigami motorne žage, cevni, priključki, razpršilnimi šobami, kolesi, razpršilnimi palicami, notranjimi kolesci, zunanji motki, rezalnimi vrvicami, vžigalnimi svečkami, zračnimi filtri, plinskimi filtri, rezili za mulčenje itd.
- Za servisiranje morate izdelek poslati ali prinesiti v pooblaščen servisni center družbe RYOBI, ki je naveden za vsako državo na naslednjem seznamu naslovov servisnih centrov. V nekaterih državah se vaš lokalni posrednik družbe RYOBI obveže, da bo poslal izdelek na servis družbe RYOBI. Ko pošiljate izdelek v servisni center družbe RYOBI, mora biti izdelek varno zapakiran in ne sme vsebovati nobenih nevarnih snovi, kot je npr. bencin, opremljen pa mora biti z naslovom pošiljatelja in vsebovati kratek opis napake.
- Popravilo/zamenjava v skladu s to garancijo sta brezplačni storitvi. To pa ne predstavlja podaljšanja ali ponovnega začetka garancijskega obdobja. Zamenjani deli ali orodja postanejo naša last. V nekaterih državah stroške dostave ali poštnino plača pošiljatelj. Vaše zakonsko določene pravice, ki izvirajo iz nakupa orodja, ostajajo nespremenjene.
- Ta garancija velja v Evropski skupnosti, Švici, na Islandiji, Norveškem, v Lichtenštajnu, Turčiji, Rusiji in Združenem kraljestvu. Izven teh območij se obrnite na svojega pooblaščenega posrednika izdelkov RYOBI, dealer ki vam bo povedal, ali velja kakšna druga garancija.

POOBLAŠČEN SERVISNI CENTER

V primeru zahtev ali težav v zvezi z izdelkom se lahko obrnete na lokalne pooblaščené servise centre (obiščite www.ryobitools.eu) ali neposredno na: Technonic Industries GmbH, Max Eyth Straße 10, 71364 Winnenden, Germany. Prosimo, da navedete serijsko številko in tip izdelka, ki sta natisnjena na oznaki.

SK ZÁRUČNÉ PODMIENKY RYOBI

Na tento výrobok sa okrem všetkých zákonných práv, vyplývajúcich z nákupu, vzťahuje záruka v nasledovnom znení.

- Záručná doba pre spotrebiteľa je 24 mesiacov a začína plynúť odo dňa, kedy bol výrobok zakúpený. Tento dátum musí byť doložený faktúrou alebo iným dokladom o zakúpení. Výrobok je navrhnutý a určený pre spotrebiteľov a len na súkromné používanie. Preto sa záruka sa neposkytuje v prípade použitia na profesionálne a komerčné účely.
- V prípade záhradného náradia (na striedavý/jednosmerný prúd AC/DC), existuje možnosť predĺženia záručnej doby oproti záručnej dobe, uvedenej vyššie, s využitím on-line registrácie na webovej stránke www.ryobitools.eu. Označenie na náradí o nároku na predĺženie záručnej doby je zreteľne uvedené v obchodoch a/alebo na obale a je uvedené v dokumentácii k výrobku. Koncový používateľ musí zaregistrovať svoje novozískané náradie on-line do 30 dní odo dňa nákupu. Koncový používateľ sa môže zaregistrovať na predĺženie záruky v krajine svojej bydliska, ak je v on-line registračnom formulári uvedená táto možnosť. Ďalej musia koncoví používatelia ešte dať svoj súhlas k uchovávaniu údajov, ktoré je potrebné zadať on-line a musia súhlasiť s podmienkami. Potvrdenie o prijatí registrácie, ktorú je zasielateľ e-mailom a original faktúry, v ktorej je uvedený dátum nákupu, slúžia ako dôkaz o predĺženej záruke.
- Záruka sa vzťahuje na všetky poruchy výrobku v záručnej dobe, spôsobené chybami materiálů alebo spracovaním k dátumu nákupu. Táto záruka je omezená na opravu a/alebo výmenu a nezahŕňažiadne ďalšie povinnosti, vrátane, okrem iných, náhodné alebo následné škody. Táto záruka je neplátná, ak bol výrobok nesprávne používaný, bol používaný v rozpore s návodom na použitie alebo bol nesprávne zapojený. Táto záruka sa nevzťahuje na:
 - akékoľvek poškodenie výrobku, ktoré bolo spôsobené nesprávnou obsluhou
 - akýkoľvek výrobok, ktorý bol zmenený alebo upravený
 - akýkoľvek výrobok, na ktorom bolo poškodené, upravené alebo odstránené identifikačné označenie (ochranná známka, výrobné číslo)
 - akékoľvek škody, spôsobené nedodržaním návodu na obsluhu
 - akýkoľvek výrobok, ktorý neobsahuje označenie CE
 - akýkoľvek výrobok, ktorý sa pokúšal opravovať ne kvalifikovaný odborník alebo bol opravovaný bez predchádzajúceho súhlasu so stranou spoločnosti Technonic Industries.
 - akýkoľvek výrobok, pripojený k nesprávnemu napájacíemu zdroju (ampéry, napätie, frekvencia)
 - akýkoľvek výrobok, používaný s nesprávnou palivovou zmesou (palivo, olej, percento oleja)
 - akékoľvek poškodenia, spôsobené vonkajšími vplyvmi (chemickými, fyzikálnymi, nárazmi) alebo cudzorodými látkami
 - bežné opotrebovanie náhradných dielov
 - nevhodné používanie, preťažovanie nástroja
 - používanie neschváleného príslušenstva a dielov
 - Akékoľvek pravidelné úpravy alebo čistenie karburátorov, vykonávaných vrámi údržby
 - Súčiastky (diely a príslušenstvo), ktoré podliehajú prirodzenému opotrebeniu, okrem iných, otočné gombíky, hnacie remene, spojka, nože na nožnice na živý plot alebo kosačky na trávu, popruhy, lanko škrtacej klapky, uhličky, napájací kábel, radličky, plsténé podložky, závesné klnice, lopatky fúkačov, trubice vysávača a fúkača, vak do vysávača a popruhy, vodiace lišty, retazové pily, hadice, spojovacie armatúry, trysky, kolesá, striekacie rúrky, vnútorné cievy, vonkajšie cievy, žacie lanká, zapalovacie sviečky, vzduchové filtre, benzínové filtre, mulčovacie nože atď.
- Na opravu musí byť výrobok odoslaný alebo doručený do autorizovaného servisného strediska RYOBI, udešeného pre každú krajinu v nasledovnom zozname adries servisných stredísk. V niektorých krajinách miestny zástupca RYOBI preberá na seba záväzok zoslať tovar do servisnej organizácie RYOBI. Pri odoslaní výrobku do servisného strediska RYOBI je potrebné výrobok bezpečne zabaliť bez akéhokoľvek nebezpečného obsahu, ako je benzín, s vyznačením adresy odosielateľa, s krátkym popisom poruchy.
- Oprava/výmena je vrámi tejto záruky bezplatná. Nezmenená to predĺženie záruky alebo spustenie novej záručnej doby. Vymenené diely alebo nástroje sa stávajú našim vlastníctvom. V niektorých krajinách náklady na odoslanie alebo poštovné musí zaplatiť odosielateľ. Vaše zákonné práva, vyplývajúce z nákupu náradia, zostávajú nedotknuté.
- Táto záruka je plátná v Európskych spoločenstvách, Švajčiarsku, Islande, Nórsku, Lichtenštajnsku, Turecku, Rusku a Spojenom kráľovstve. Ak sa nachádzate mimo týchto oblastí, obráťte sa na autorizovaného predajcu RYOBI na určenie, či sa dá uplatniť iná záruka.

AUTORIZOVANÉ SERVISNÉ CENTRUM

Všetky žiadosti alebo problémy s výrobkom možno adresovať miestnym autorizovaným servisným strediskám (navštívte www.ryobitools.eu) alebo priamo na: Technonic Industries GmbH, Max Eyth Straße 10, 71364 Winnenden, Germany. Uvedte sériové číslo a typ výrobku uvedené na etike.



BG УСЛОВИЯ ЗА ВАЛИДНОСТ НА ГАРАНЦИЯТА НА RYOBI

В допълнение към законоустановените права, произтичащи от покупката, този продукт е обхванат от гаранция, както е изложено по-долу.

- Гаранционният срок е 24 месеца за клиенти и започва да тече от деня на закупуване на продукта. Тази дата трябва да се докаже с фактура или друго доказателство за покупка. Продуктът е изработен и предназначен само за потребителска и лична употреба. Следователно не се дава гаранция в случай на използване от професионалисти или с търговска цел.
- Съществува възможност за удължаване на гаранционния срок за част от диапазона на гаранцията на градински инструменти (AC/DC) след изтичането на описания тук чрез регистрация на уеб сайта www.ryobitools.eu. В магазините или на опаковката или вътре в документацията на продукта е показано ясно дали инструментът отговаря на условията за такова удължаване на гаранционния срок. Крайният потребител трябва да регистрира своите новопридобити инструменти онлайн в рамките на 30 дни от датата на покупка. Крайният потребител може да се регистрира за удължена гаранция в държавата си на пребиваване, ако е посочена във формуляра за онлайн регистрация като място, където тази опция е валидна. Освен това крайните потребители трябва да дадат съгласието си за съхранение на данните, които са задължителни за ползване онлайн, и трябва да приемат общите условия. Получено потвърждение за регистрация, изпратено по електронна поща, и оригиналната фактура, показваща датата на покупка, ще служат като доказателство за удължената гаранция.
- Гаранцията покрива всички дефекти на продукта по време на гаранционния срок, които се дължат на проблеми в изработката или материалите към момента на покупката. Гаранцията е ограничена до ремонт или замяна и не включва други задължения, включително, но не само, случайни или косвени щети. Гаранцията е невалидна, ако продуктът е използван неправилно или в противоречие с ръководството с инструкции, както и ако е свързан неправилно. Тази гаранция не важи за:
 - щети по продукта в резултат на неправилна профилактика
 - продукти, които са били изменени или модифицирани
 - продукт, при който оригиналните маркировки за идентификация (търговска марка, сериен номер) са изтрити, променени или премахнати
 - повреда, причинена от неспазване на ръководството с инструкции
 - продукт без CE маркировка
 - продукт, за който е направен опит за ремонт от некавалифициран специалист или без предварително разрешение от Techntronics Industries.
 - продукт, свързан към неподходящо електрозахранване (ампераж, волтаж, честота)
 - продукт, използван с неподходяща горивна смес (гориво, масло, процент масло)
 - щети, причинени от външни влияния (химични, физични, удари) или чужди вещества
 - нормално износване на резервни части
 - неподходяща употреба, претоварване на инструмента
 - използване на неподходящи аксесоари или части
 - Всякакви периодични настройки или почистване с цел извършване на поддръжка на карбуратори
 - Компоненти (част и аксесоари), подложени на естествено износване, включително, но не само, колчета за тласкане, задвижващи ремъци, съединители, остриета на ножици за жив плет или косачки за трева, презария, кабелни дротел, карбонови четки, захранващ кабел, остриета, филцови шайби, осигурителни щифтове, вентилатори на уреди за обдухване, тръби за обдухване и всмукване, торба за отпадъци и ремъци, водещи шини, вериги за триони, маркучи, фитинги на конектори, дюзи, колепа, пръскалки, вътрешни и външни макари, режещо влакно, запалителни свещи, въздушни филтри, горивни филтри, остриета за мулчиране и др.
- За обслужване продуктът трябва да се изпрати или занесе на оторизиран сервиз на RYOBI, посочен за всяка държава в следния списък с адреси на сервиси. В някои държави местният търговец на RYOBI поема отговорността да изпрати продукта до сервизен център на RYOBI. При изпращане на продукт до сервиз на RYOBI той трябва да е опакован безопасно без опасно съдържание, напр. бензин, да е маркиран с адреса на подателя и придружен от кратко описание на повредата.
- Ремонтът/замяната по силата на тази гаранция са безплатни. Те не водят до удължаване или подновяване на гаранционния срок. Сменените части или инструменти стават наша собственост. В някои държави таксите за доставка или изпращане трябва да се платят от подателя. Законоустановените ви права, произтичащи от закупуването на инструмента, остават незаеснати
- Тази гаранция е валидна в Европейската общност, Швейцария, Испания, Норвегия, Лихтенщайн, Турция и Обединеното кралство. Извън тези области се свържете с упълномощения търговец на RYOBI, за да се установи дали е приложима друга гаранция.

УПЪЛНОМОЩЕН СЕРВИЗЕН ЦЕНТЪР

Всички заявки или проблеми, свързани с продукта, могат да бъдат отправяни към местните упълномощени сервизни центрове (посетете www.ryobitools.eu) или директно до: Techntronics Industries GmbH, Max Eyth Straße 10, 71364 Winnenden, Germany. Посочете сериен номер и типа на продукта, отпечатани върху етикета.

UK ГАРАНТИЙНИ УМОВИ ДЛЯ RYOBI

Окрім загалом установлених законом прав, що стосуються покупки, цей пристрій покривається гарантією, що зазначено нижче.

- Гарантійний період для споживачів складає 24 місяці і починається з моменту придбання цього пристрою. Ця дата повинна бути задокументована у гарантійному талоні або чеку, що підтверджує покупку. Цей пристрій був розроблений і призначений тільки для споживача та приватного використання. У разі професійного або комерційного використання цього пристрою, він втрачає гарантію.
- Існує можливість продовжити гарантійний період, понад період описаний вище, для частини лінійки садових інструментів (перемінного/постійного струму) за допомогою реєстрації на сайті www.ryobitools.eu. Пристрої, які мають право на подовження гарантійного періоду, мають чіткі позначки щодо цього в магазинах і/або на упаковці / та документі до пристрою. Кінцевий користувач повинен зареєструвати його/її новопридбаний пристрій онлайн протягом 30 днів з дати покупки. Кінцевий користувач може зареєструватися для подовження гарантійного періоду в своїй країні постійного перебування, якщо вона є доступною у відповідній опції онлайн форми реєстрації. Крім того, кінцеві користувачі повинні дати свою згоду на зберігання даних, які необхідні для введення онлайн, а також вони повинні прийняти правила та умови. Отримавши підтвердження реєстрації, яке відправляється на адресу електронної пошти, та оригінал гарантійного талона і зазначеною датою покупки буде слугувати доказом подовженої гарантії.
- Гарантія поширюється на всі дефекти пристрою протягом гарантійного терміну щодо недотримання стандартів виробництва або матеріалів на дату придбання. Гарантія обмежується ремонтом та/або заміною, та не включає в себе будь-яких інших зобов'язань, в тому числі, але не обмежена у разі випадкових та подальших пошкоджень. Гарантія не діє, якщо пристрій використовувався неналежним чином, всупереч інструкції з експлуатації або був неправильно підключений до мережі. Дана гарантія не поширюється на:
 - пристрої, що були пошкоджені у результаті неправильного технічного обслуговування;
 - пристрої, що були видозмінені або модифіковані;
 - пристрої, оригінальне ідентифікаційне (товарний знак, серійний номер) маркування яких було пошкоджене, змінене або видалено;
 - будь-які пошкодження, заповдіні недотриманням інструкції з експлуатації;
 - пристрої, що не мають маркування CE;
 - пристрої, що були відремонтовані некаліфікованим фахівцем або за відсутності попереднього дозволу від Techntronics Industries;
 - пристрої, підключені до невідповідного джерела живлення (сила току, напруга, частота);
 - пристрої, що використовувалися із невідповідною паливною сумішшю (паливом, оливою, відсотковою часткою оливи);
 - будь-які пошкодження спричинені зовнішнім впливом (хімічним, фізичним, стрибком напруги) або сторонніми речовинами;
 - нормальну амортизацію запасних частин;
 - невідповідне використання, переваження пристрою;
 - використання невідтверджених запасних частин або аксесуарів;
 - Будь-які періодичні коригування або технічне очищення карбураторів
 - Компоненти (частини та аксесуари) з урахуванням нормального зношування, враховуючи але без обмеження на імпульсні кнопки, ремені приводу, зчеплення, леза कुшоріза або газонокосарки, ремені, троси досельного клапану, вугільні щітки, шнур живлення, зубці, фетрові підкладки, зчіпні штири, вентилятори повітрядувки, труби пілооса та повітрядувки, вакуумні мішки та накладки, напрямні, ланцюги, гнучкі шланги, з'єднувальні фітинги, розпилювальні насадки, колеса, жорсткі сопла, внутрішні котушки, зовнішні золотники, ріжучу волосін, свічки запалення, повітряні фільтри, протигазові фільтри, мульчувальні леза, т.д.
- Для обслуговування, пристрій має бути відправлений або поданий до одного з авторизованих сервісних центрів RYOBI, які перелічені для кожної країни у наступному переліку адрес сервісних центрів. У деяких країнах місцевий дилер RYOBI зобов'язується відправити пристрій до сервісного центру RYOBI. При відправленні пристрою до сервісного центру RYOBI, пристрій має бути надійно упакований без будь-якого небезпечного вмісту, наприклад бензину, з позначеною адресою відправника та супроводжується коротким описом несправності.
- Ремонт / заміна відповідно до цієї гарантії здійснюється безкоштовно. Це не є основою для подовження або початку нового гарантійного періоду. Замінні частини або прилади переходять до власності компанії. У деяких країнах вартість доставки або поштові витрати повинні бути сплачені відправником. Загально встановлені права покупця на пристрій залишаються незмінними
- Ця гарантія є дійсною у країнах, членах ЄС, Швейцарії, Іспанії, Норвегії, Лихтенштейні, Туреччині, Росії та Великій Британії. За межами цих зон, будь ласка, зверніться до офіційного дилера RYOBI, щоб визначити, чи застосовується інша гарантія.

АВТОРИЗОВАНІ СЕРВІСНІ ЦЕНТРИ

З будь-яких питань або проблем, пов'язаних з пристроєм, ви можете звернутися до місцевих авторизованих сервісних центрів (відвідайте www.ryobitools.eu) або напрямку до: Techntronics Industries GmbH, Max Eyth Straße 10, 71364 Winnenden, Germany. Будь ласка, вкажіть серійний номер та тип продукту, вказані на етикетці.



TR RYOBI GARANTİ UYGULAMA KOŞULLARI

Alımdan kaynaklanan yasal haklara ek olarak, ürün aşağıda belirtilen garanti kapsamındadır.

1. Tüketiciler için 24 ay olan garanti süresi, ürünün satın alındığı tarihte başlar. Bu tarihin bir fatura ya da alım kanıtıyla belgelenmesi gerekir. Ürün sadece tüketim ve özel kullanım için geliştirilmiş ve adanmıştır. Bu nedenle, profesyonel ya da ticari kullanım halinde garanti kapsamı sağlanmaz.
2. Bahçe aletlerinin bir bölümü (AC/DC) için www.ryobitools.eu sayfasındaki kayıt işlemini kullanarak garantisinin belirtilen sürenin ötesine uzatma imkanı mevcuttur. Aletlerin garanti süresinin uzatılmasına uygun olup olmadığı mağazalarda ve / veya ambalajda açıkça belirtilmiş olup, ürün dokümantasyonunda gösterilir. Son kullanıcının yeni aldığı aletleri satın alma tarihini izleyen 30 gün içinde kaydettirmesi gerekir. Son kullanıcı ikamet ettiği ülkede, bu seçeneğin geçerli olduğu çevrimiçi kayıt formunda belirtilmişse, uzatılmış garanti süresi için kayıt yaptırabilir. Dahası, son kullanıcıların çevrimiçi giriş için gerekli verilerin kaydedilmesine izin vermeli ve hüküm ve koşulları kabul etmelidir. E-posta ile gönderilen kayıt teyit makbuzu ve alım tarihini gösteren orijinal fatura uzatılmış garantisinin kanıtı olarak değerlendirilir.
3. Garanti, ürünün alım tarihindeki işçilik ve malzeme kusurları nedeniyle garanti süresi içinde oluşacak bütün arızalarını kapsar. Bu garanti onarım ve değiştirmeyle sınırlı olup, tesadüfi ya da dolaylı hasarlar da dahil, ancak bunlarla kısıtlı olmayan başka hiçbir taahhüdü kapsamaz. Garanti, ürünün kötü, kullanıcı kılavuzuna aykırı kullanılmış ya da yanlış bağlanmış olması halinde geçerli değildir. Bu garanti aşağıdakileri kapsamaz:
 - üründe, yanlış bakımdan kaynaklanan herhangi bir hasar
 - değiştirilmiş ya da modifiye edilmiş herhangi bir ürün
 - orijinal tanıtmı işaretleri (ticari marka, seri numarası) silinmiş, değiştirilmiş ya da kaldırılmış herhangi bir ürün
 - kullanma kılavuzuna uymamaktan kaynaklanmış herhangi bir hasar
 - herhangi bir AT dışı ürün
 - kalifiye olmayan personel tarafından ya da önceden Techtronic Industries onayı alınmadan onarılmış herhangi bir ürün.
 - uygunsuz güç kaynağına (amper, voltaj, frekans) bağlanmış herhangi bir ürün
 - uygunsuz bir yakıt karışımıyla (yakıt, yağ, yap yüzdesi) kullanılmış herhangi bir ürün
 - harici etkenlerden (kimyasal, fiziksel, darbe) veya yabancı cisimlerden kaynaklanan her türlü hasar
 - normal aşınır ve yıpranır aksam
 - uygunsuz kullanım, aletin aşırı yüklenmesi
 - onaysız aksesuar veya parça kullanımı
 - Karbüratörlere uygulanacak her türlü periyodik ayar, bakım veya temizlik
 - Darbe Düğmeleri, Tahrik Kayışları, Kavrama, Çit Budama ya da Çim Bıçme Makinelerinin Bıçakları, Kayış Koşumlar, Kablolu Gaz, Kömür Fırçalar, Güç Kablo, Dişler, Keçe Rondelalar, Bağlantı Pimleri, Üfleyci Pervaneleri, Üfleyci ve Vakum Boruları, Vakum Torbası ve Kayışları, Kılavuz Çubuklar, Zincir Testere, Hortumlar, Konektör bağlantıları, Püskürtme Memeleri, Çarklar, Püskürtme Çubukları, Dahili Makaralar, Harici Makaralar, Kesme Telleri, Bujiler, Hava Filtreleri, Gaz Filtreleri, Malçlama Bıçakları vb. gibi parçaları kapsayan, ancak bunlarla sınırlı olmayan, aşınma ve yıpranmaya tabi bileşenler (aksam ve aksesuarlar).
4. Ürünün servis için her ülkede aşağıdaki servis istasyonları adres listesinde yer alan yetkili bir RYOBI servis istasyonuna gönderilmesi ya götürülmesi gereklidir. Bazı ülkelerde, yerel RYOBI distribütörünüz ürünü RYOBI servis teşkilatına göndermeyi üstlenir. Bir ürün bir RYOBI servis istasyonuna gönderilirken, ürünün güvenli bir biçimde ambalajlanması, benzin gibi tehlikeli maddeler içermemesi, gönderenin adresini taşıması ve arızanın kısa bir açıklamasını içermesi gerekir.
5. Bu garanti kapsamında yapılacak onarım / değişiklik ücretsizdir. Garanti süresinin uzatılması ya da yeniden başlatılması anlamına gelmez. Değiştirilmiş parçalar veya aletler bize ait olur. Bazı ülkelerde teslimat ücretleri veya posta giderlerinin gönderici tarafından ödenmesi gerekir. Alımdan kaynaklanan yasal haklarınız etkilenmez.
6. Bu garanti Avrupa Birliği'nde, İsviçre, İzlanda, Norveç, Lihtenştayn, Türkiye, Rusya ve Birleşik Krallık'ta geçerlidir. Bu alanların dışında, başka bir garantisinin geçerli olup olmadığını belirlemek için lütfen yetkili RYOBI distribütörünüzle irtibata geçin.

YETKİLİ SERVİS MERKEZİ

Ürünle ilgili her türlü talep ve sorun yerel yetkili servis merkezlerine (www.ryobitools.eu adresini ziyaret edin) veya doğrudan aşağıdaki şekilde iletilebilir: Techtronic Industries GmbH, Max Eyth Straße 10, 71364 Winnenden, Germany. Lütfen etikette yer alan seri numarasını ve ürün tipini belirtin.

EN EC DECLARATION OF CONFORMITY

Cordless power washer

Brand: RYOBI | Manufacturer¹ | Model number² | Serial number range³

We declare as the manufacturer under our sole responsibility that the product mentioned below fulfills all the relevant provisions of the following European Directives, European Regulations and harmonised standards⁴

Authorised to compile the technical file:⁵

FR DÉCLARATION CE DE CONFORMITÉ

Nettoyeur haute pression sans fil

Marque: RYOBI | Fabricant¹ | Numéro de modèle² | Étendue des numéros de série³

Nous déclarons, en qualité de fabricant, sous notre entière responsabilité, que le produit mentionné ci-dessous remplit toutes les dispositions pertinentes des directives et réglementations européennes suivantes, ainsi que des normes harmonisées⁴

Autorisé à rédiger le dossier technique:⁵

DE EG-KONFORMITÄTSEKTLÄRUNG

Akku-Mitteldruckreiniger

Marke: RYOBI | Hersteller¹ | Modellnummer² | Seriennummernbereich³

Wir als Hersteller erklären in alleiniger Verantwortung, dass das nachstehend erwähnte Produkt allen einschlägigen Bestimmungen der folgenden EU-Richtlinien, EU-Vorschriften und harmonisierten Normen entspricht⁴

Autorisiert die technische Datei zu erstellen:⁵

ES DECLARACIÓN CE DE CONFORMIDAD

Limpiador eléctrico inalámbrico

Marca: RYOBI | Fabricante¹ | Número de modelo² | Intervalo del número de serie³

Como fabricante, declaramos, bajo nuestra exclusiva responsabilidad, que el producto mencionado a continuación cumple con todas las disposiciones relevantes de las siguientes directivas, normas armonizadas y reglamentos europeos⁴

Autorizado para elaborar la ficha técnica:⁵

IT DICHIARAZIONE CE DI CONFORMITÀ

Pulitore a batteria

Marca: RYOBI | Ditta produttrice¹ | Numero modello² | Gamma numero seriale³

In qualità di produttori, dichiariamo, sotto la nostra esclusiva responsabilità, che il prodotto descritto di seguito ottempera a tutte le pertinenti disposizioni delle seguenti direttive europee, normative europee e dei seguenti standard armonizzati⁴

Autorizzato per compilare il file tecnico:⁵

NL EG-VERKLARING VAN OVEREENSTEMMING

Snoerloze elektrische reiniger

Merk: RYOBI | Fabrikant¹ | Modelnummer² | Seriennummerekijk³

Wij verklaren naar onze eigen verantwoordelijkheid als fabrikant, dat het hieronder genoemde product voldoet aan alle relevante bepalingen van de volgende Europese richtlijnen, Europese verordeningen en geharmoniseerde normen⁴

Afgevaardigde voor het samenstellen van de technische fiche:⁵

PT DECLARAÇÃO CE DE CONFORMIDADE

Lavadora sem fios

Marca: RYOBI | Fabricante¹ | Número do modelo² | Intervalo do número de série³

Declaramos na qualidade de fabricante e sob nossa exclusiva responsabilidade que o produto mencionado abaixo cumpre todas as disposições aplicáveis das seguintes diretivas, regulamentos e normas harmonizadas da União Europeia⁴

Autorizado para compilar o ficheiro técnico:⁵

DA EF-OVERENSSTEMMELSEERKLÆRING

Trådløse højtryksrensere

Brand: RYOBI | Producent¹ | Modelnummer² | Seriennummerområde³

Vi erklærer som fremstiller under eget ansvar, at produktet nævnt nedenfor opfylder alle de relevante forskrifter i de følgende europæiske direktiver, europæiske forordninger og harmoniserede standarder⁴

Bemyndiget til at udarbejde det tekniske kartotek:⁵

SV EF-FÖRSÄKRAN ÖVERENSSTÄMMELSE

Sladdlös höghtrycksvätt

Märke: RYOBI | Tillverkare¹ | Modellnummer² | Seriennummerintervall³

Vi som tillverkare förklarar under eget ansvar att den produkt som nämns nedan uppfyller alla relevanta föreskrifter i följande europeiska direktiv, europeiska förordningar och harmoniserade standarder⁴

Godkänd att sammanställa den tekniska filen:⁵

FI EY-VAATIMUSTENMUKAISUUSVAKUUTUS

Langaton painepesuri

Tuotemerkki: RYOBI | Valmistaja¹ | Mallinumero² | Sarjanumeroalue³

Valmistajana vakuutamme alla mainitun tuotteen täyttävän seuraavien eurooppalaisten direktiivien, asetusten ja yhdenmukaistettujen standardien kaikki asiaankuuluvat vaatimukset⁴

Valtuutettu kokoamaan tekninen tiedosto:⁵

NO CE-SAMSVARSEKLERING

Kabelfri høytrykkspyler

Merke: RYOBI | Produsent¹ | Modellnummer² | Seriennummerserie³

Vi erklærer, som produsent, på eget ansvar at produktet beskrevet nedenfor oppfyller alle de relevante bestemmelserne i de europeiske direktiver, europeiske forskrifter og harmoniserte standarder⁴

Autorisert til å sette sammen den tekniske filen:⁵

RU ДЕКЛАРАЦИЯ О СООТВЕТСТВИИ СТАНДАРТАМ ЕС

Беспроводная мойка высокого давления

Марка: RYOBI | Изготовитель¹ | Номер модели² | Диапазон заводских номеров³

Со всей ответственностью как производитель заявляем, что нижеупомянутое изделие отвечает всем соответствующим положениям следующих европейских директив, европейских регламентов, а также гармонизированных стандартов⁴

Лицо, ответственное за подготовку технической документации:⁵

PL DEKLARACJA ZGODNOŚCI WE

Bezprzewodowa myjka ciśnieniowa

Marka: RYOBI | Producent¹ | Numer modelu² | Zakres numerów seryjnych³

Jako producent oświadczamy na własną odpowiedzialność, że produkt opisany w sekcji „Specyfikacja” spełnia wszystkie istotne postanowienia wymienionych poniżej dyrektyw UE, przepisów europejskich oraz norm zharmonizowanych⁴

Osoba upoważniona do sporządzenia dokumentu technicznego:⁵

CS CE PROHLÁŠENÍ O SHODĚ

Akumulátorový vysokotlaký čistič

Značka: RYOBI | Výrobce¹ | Číslo modelu² | Rozsah sériových čísel³

Jako výrobce prohlašujeme výhradně na vlastní odpovědnost, že níže uvedený výrobek splňuje všechna příslušná ustanovení evropských směrníc, evropských nařízení a harmonizovaných norem⁴

Pověření ke kompilaci technického souboru:⁵

HU EK-MEGFELELŐSÉGI NYILATKOZATA

Akkumulátoros magasnyomású mosó

Márka: RYOBI | Gyártó¹ | Típuszám² | Sorozatszám tartomány³

Gyártóként kizárólagos felelősségünk tudatában nyilatkozunk, hogy az alább említett termék megfelel a következő európai irányelvek, szabványok és harmonizált szabványok vonatkozó rendelkezésének⁴

A műszaki dokumentáció összeállítására felhatalmazott:⁵

RO DECLARAȚIE DE CONFORMITATE CE

Curățător de înaltă presiune cu acumulator

Marcă: RYOBI | Producător¹ | Număr serie² | Gamă număr serie³

În calitate de producător, declarăm pe proprie responsabilitate că produsul menționat mai jos îndeplinește toate prevederile relevante ale directivelor Uniunii Europene, ale Regulamentelor UE și standardele armonizate⁴

Autorizat să completeze fișa tehnică:⁵

LV EK ATBILSTĪBAS DEKLARĀCIJA

Akkumulātoru augstspiediena mazgātājs

Zīmols: RYOBI | Ražotājs¹ | Modeļa numurs² | Sērijas numura intervāls³

Ar pilnu atbildību mēs kā ražotājs deklarējam, ka tālāk norādītais produkts izpilda visas atbilstošās norādīto Eiropas direktīvu, Eiropas regulu un harmonizēto standartu prasības⁴

Pilnvarots sastādīt tehnisko failu:⁵

LT EB ATITIKTIES DEKLARACIJA

Akumuliatorius slėginis valytuvus

Prekės ženklas: RYOBI | Gamintojas¹ | Modelio numeris² | Serijinio numerio diapazonas³

Mes, gamintojai, atsakingai pareiškiame, kad toliau minimas gaminytis atitinka nurodytus Europos direktyvas, Europos reglamentus ir darniuosius standartus⁴

Igaliautas sudaryti techninį failą:⁵

ET EÜ VASTAVUSDEKLARATSIOON

Juhtmeta survespurer

Mark: RYOBI | Tootja¹ | Mudeli number² | Seerianumbri vahemik³

Kinnitame tootjana ainuiskuliseit, et allpool nimetatud toode vastab järgmistele Euroopa direktiivide, Euroopa määruste ja ühtlustatud standardite kõigile asjaomastele sätetele⁴

Tehnilise faili koostamiseks volitatud isik:⁵

HR IZJAVA O SUKLADNOSTI

Bežični visokotlačni čistač

Marka: RYOBI | Proizvođač¹ | Broj modela² | Raspon serijskog broja³

Kao proizvođač, pod punom odgovornošću izjavljujemo da proizvod naveden u nastavku zadovoljava sve relevantne odredbe sljedećih europskih direktiva, europskih uredbi i usklađenih normi⁴

Ovlašten da sastavi tehničku datoteku:⁵

SL ES-IZJAVA O SKLADNOSTI

Brežični visokotlačni čistilec

Znamka: RYOBI | Proizvajalec¹ | Številka modela² | Razpon serijskih števil³

Kot proizvajalec pod izključno lastno odgovornostjo izjavljamo, da spodaj navedeni izdelek izpolnjuje vse ustrezne predpise naslednjih evropskih direktiv, evropskih uredb in harmoniziranih standardov⁴

Pooblaščenca oseba za sestavo tehnične dokumentacije:⁵

SK ES VYHLÁSENIE O ZHODE

Akumulátorový vysokotlakový čistíč

Značka: RYOBI | Výrobca¹ | Číslo modelu² | Rozsah sériových čísel³

Ako výrobca na vlastnú zodpovednosť vyhlasujeme, že dolu uvedený výrobok vyhovuje príslušným ustanoveniam nasledujúcich európskych smerníc, európskych nariadení a harmonizovaných noriem⁴

Oprávnená osoba na zostavenie technického súboru:⁵

BG CE - ДЕКЛАРАЦИЯ ЗА СЪОТВЕТСТВИЕ

Безжична електрическа водоструйка

Марка: RYOBI | Производител¹ | Номер на модела² | Обхват на серийни номера³

Като производител декларираме на своя лична отговорност, че продуктът, посочен по-долу, отговаря на всички съответни разпоредби на директивите и регламентите на Европейския съюз и хармонизираните стандарти по-долу⁴

Отговорен нотифициращ орган:⁵

UK СЕРТИФИКАТ ВІДПОВІДНОСТІ ВИМОГАМ ЄС

Бездротова мийка

Марка: RYOBI | Виробник¹ | Номер моделі² | Діапазон серійного номеру³

Як виробник ми відповідально заявляємо, що описаний нижче пристрій відповідає всім чинним положенням директив ЄС, Європейських норм та гармонізованих стандартів⁴

Дозвіл на складання технічного файла:⁵

TR CE UYGUNLUK BEYANI

Kablosuz yüksek basınçlı temizleyici

Marka: RYOBI | Üretici¹ | Model numarası² | Seri numarası aralığı³

Üretici olarak tüm sorumluluğu bize ait olmak üzere, aşağıda belirtilen ürünün aşağıdaki Avrupa Direktifleri, Avrupa Mevzuatı ve uyumlaştırılmış standartların ilgili hükümlerini yerine getirdiğini beyan ederiz⁴

Teknik dosyayı derlemekle yetkili sorumlu:⁵

GB-DECLARATION OF CONFORMITY

Manufacturer: Techtronic Industries GmbH
Max-Eyth-Straße 10, 71364 Winnenden, Germany

We declare as the manufacturer under our sole responsibility that the product mentioned below

Cordless power washer

Brand: RYOBI

Model number: RY36PWX41A

Serial number range: 48614601000001 - 48614601999999

fulfills all the relevant provisions of the following Regulations: S.I. 2008/1597 (as amended), S.I. 2016/1091 (as amended), S.I. 2012/3032 (as amended) and that the following designated standards have been used:

BS EN 55014-1:2017+ A11, BS EN 55014-2:2015,

BS EN 60335-1:2012+A1+A2+A11+A13+A14, BS EN 60335-2-79:2012,

BS EN 62233:2008, BS EN IEC 63000:2018

Sven Eschrich
VP of Engineering - TTI Outdoor Power Division
Winnenden, Feb. 2, 2021

Authorised to compile the technical file:
Techtronic Industries (UK) Ltd
Parkway
Marlow Bucks SL7 1YL
UK

¹ Techtronic Industries GmbH
Max-Eyth-Straße 10, 71364 Winnenden, Germany

² RY36PWX41A

³ 48614601000001 - 48614601999999

⁴ 2006/42/EC, 2014/30/EU, 2011/65/EU, EN 55014-1:2017+A11,
EN 55014-2:2015, EN 60335-1:2012+A1+A2+A11+A13+A14,
EN 60335-2-79:2012, EN 62233:2008, EN IEC 63000:2018

⁵ Alexander Krug, Managing Director
Techtronic Industries GmbH
Max-Eyth-Straße 10, 71364 Winnenden, Germany





- EN** RYOBI is a trade mark of Ryobi Limited, and is used under license.
- FR** RYOBI est une marque déposée de Ryobi Limited, et est utilisée sous licence.
- DE** RYOBI ist ein Markenzeichen von Ryobi Limited und wird in Lizenz verwendet.
- ES** RYOBI es una marca registrada de Ryobi Limited, y se utiliza bajo licencia.
- IT** L'utilizzo del marchio registrato RYOBI è legato alla licenza concessa da Ryobi Limited.
- NL** RYOBI is een handelsmerk van Ryobi Limited en wordt onder licentie gebruikt.
- PT** RYOBI é uma marca comercial de Ryobi Limited, e é utilizada sob licença.
- DA** RYOBI er et varemærke tilhørende Ryobi Limited og bruges under licens.
- SV** RYOBI är en del av varumärke Ryobi Limited och dess användning är licensierad.
- FI** RYOBI on Ryobi Limitedin omistama tavaramerkki, ja sitä käytetään lisenssin puitteissa.
- NO** RYOBI er et varemerke for Ryobi Limited, og brukes under lisens.
- RU** RYOBI является товарным знаком компании Ryobi Limited, используемым по лицензии.
- PL** RYOBI to znak towarowy firmy Ryobi Limited i jest używany zgodnie z udziałową licencją.
- CS** RYOBI je ochranná známka společnosti Ryobi Limited a její používání podléhá licenci.
- HU** A RYOBI a Ryobi Limited védjegye, használatát licenc keretében történik.
- RO** RYOBI este o marcă comercială a firmei Ryobi Limited și este utilizată sub licență.
- LV** RYOBI ir Ryobi Limited preču zīme un tiek izmantota saskaņā ar licenci.
- LT** „RYOBI” yra „Ryobi Limited” prekės ženklas, naudojamas pagal licenciją.
- ET** RYOBI on ettevõtte Ryobi Limited kaubamärk, mida kasutatakse litsentsi alusel.
- HR** RYOBI je žig tvrtke Ryobi Limited i koristi se po licenci.
- SL** RYOBI je blagovna znamka družbe Ryobi Limited in se uporablja na podlagi dovoljenja.
- SK** RYOBI je ochranná známka spoločnosti Ryobi Limited a používa sa na základe licencie.
- BG** RYOBI е търговска марка на Ryobi Limited и се използва под лиценз.
- UK** RYOBI є товарним знаком Ryobi Limited, і використовується за ліцензією.
- TR** RYOBI, Ryobi Limited şirketine ait olup, lisans altında kullanılan bir ticari markadır.





Techtronic Industries GmbH
Max-Eyth-Straße 10,
71364 Winnenden, Germany

Techtronic Industries (UK) Ltd
Parkway
Marlow Bucks SL7 1YL
UK

961479067-01

