

RY18STPA





- Important!** It is essential that you read the instructions in this manual before assembling, maintaining and operating the product.
- Attention!** Il est essentiel que vous lisiez les instructions contenues dans ce manuel avant d'assembler, d'entretenir et d'utiliser le produit.
- Achtung!** Es ist wichtig, dass Sie vor Zusammenbau, Wartung und Benutzung des Produktes die Anweisungen in dieser Anleitung lesen.
- ¡Atención!** Resulta fundamental que lea este manual de instrucciones antes de realizar el montaje, el mantenimiento y de utilizar este producto
- Attenzione!** È importante leggere le istruzioni contenute nel presente manuale prima di montare il prodotto, svolgere le operazioni di manutenzione sullo stesso e metterlo in funzione.
- Let op!** Het is van essentieel belang dat u de instructies in deze gebruiksaanwijzing leest voor u het product monteert, onderhoudt en gebruikt.
- Atenção!** É fundamental que leia as instruções deste manual antes da montagem, manutenção e operação do aparelho.
- OBS!** Det er vigtigt, at man læser instrukserne i denne brugsanvisning, inden man samler, vedligeholder og betjener produktet.
- Observera!** Det är viktigt att du läser instruktionerna i manualen före montering, användning och underhåll av produkten.
- Huomio!** On tärkeää, että luet tämän käsikirjan ohjeet ennen tuotteen kokoamista, huoltoa ja käyttöä.
- Advarsel!** Det er viktig at du leser instruksjonene i denne manualen før sammensetning, vedlikehold og bruk av produktet
- Внимание!** Необходимо прочитать инструкции в данном руководстве перед сборкой, обслуживанием и эксплуатацией этого изделия.
- Uwaga!** Koniecznie należy przeczytać instrukcje zawarte w tym podręczniku przed montażem, obsługą oraz konserwacją produktu.
- Důležité upozornění!** Neinstalujte, neprovádějte údržbu ani nepoužívejte tento výrobek dříve, než si přečtete pokyny uvedené v tomto návodu.
- Figyelem!** Fontos, hogy a termék összeszerelése, karbantartása és használatá elött elolvassa a kézikönyvben található utasításokat.
- Atenție!** Este esențial să citiți instrucțiunile din acest manual înainte de asamblare, efectuarea întreținerii și operarea produsului.
- Uzmanību!** Ir svarīgi izlasīt šīs rokasgrāmatas instrukcijas pirms uzstādīšanas, apkopes un precas darbināšanas.
- Démesio!** Prieš surenkant, prižiūrint ir naudojant gaminį, būtina perskaityti šiam vadove pateiktus nurodymus.
- Tähtis!** Enne masina kokkupanekut, hooldamist ja kasutama hakkamist tuleb käesolevas juhendis esitatud juhised kindlasti läbi lugeda.
- Upozorenje!** Vrlo je važno da ste prije sklapanja, održavanja i rada s ovim proizvodom pročitali upute u ovom priručniku.
- Pomembno!** Pomembno je da pred montažo vzdrževanjem in uporabo tega izdelka preberete navodila v tem priročniku.
- Upozornenie!** Je dôležité, aby ste si pred montážou, údržbou a obsluhou produktu prečítali pokyny v tomto návode.
- Важно!** Исключительно важно е да прочетете инструкциите в настоящото ръководство, преди да преминете към сглобяване, поддръжка или работа с продукта.
- Важливо!** Дуже важливо, щоб ви прочитали інструкції в цьому керівництві перед складанням, обслуговуванням та експлуатацією цієї машини.
- Önemli!** Ürünü monte etmeden, kullanmadan ve bakımını yapmadan önce bu kılavuzdaki talimatları okumanız önemlidir.

Subject to technical modification | Sous réserve de modifications techniques | Technische Änderungen vorbehalten | Bajo reserva de modificaciones técnicas | Con riserva di eventuali modifiche tecniche | Technische wijzigingen voorbehouden | Com reserva de modificações técnicas | Med forbehold for tekniske ændringer | Med förbehåll för tekniska ändringar | Tekniset muutokset varataan | Med forbehold om tekniske endringer | могут быть внесены технические изменения | Z zastrzeżeniem modyfikacji technicznych | Změny technických údajů vyhrazeny | A műszaki módosítás jogát fenntartjuk | Sub rezerva modificațiilor tehnice | Paturam tiesības mainīt tehniskos raksturlielumus | Pasliiekant teisę daryti techninius pakeitimus | Tehnised muudatused võimalikud | Podloženo tehničkim promjenama | Tehnične spremembe dopuščene | Právo na technické zmeny je vyhradené | Подлежи на технически модификации | Є об'єктом для технічних змін | Teknik değişikliğe tabidir.



Safety, performance, and dependability have been given top priority in the design of your cordless stick pump.

INTENDED USE

The cordless stick pump is intended to transfer water, either dirty or clean, out of pools, ponds, or tanks. The product can be used to drain water from floods or excess rainwater during floods. The product can also be used for irrigation when paired with watering accessories.

The product is intended only for home or domestic use. The product may be used indoors or outdoors.

Do not use the product for any other purpose.

GENERAL SAFETY WARNINGS

- Never allow children, persons with reduced physical, sensory, or mental capabilities or lack of experience and knowledge, or people who are unfamiliar with these instructions to use the product. Local regulations may restrict the age of the operator. Children should be adequately supervised to ensure that they do not play with the product.
- Save all warnings and instructions for future reference. Refer to them frequently, and use them to instruct others who may use the product. If you loan someone the product, also loan them these instructions to prevent misuse of the product and possible injury.
- Keep the area of operation clear of all persons, particularly small children and pets.
- Inspect the product before each use. Check for loose fasteners, etc. Make sure that all guards and handles are properly and securely attached. Replace any damaged parts before use. Check for battery pack leaks.
- Do not modify the product in any way or use parts and accessories that are not recommended by the manufacturer.
- Do not operate the product while barefoot or when wearing sandals or similar lightweight footwear. Wear protective footwear that will protect your feet and improve your footing on slippery surfaces.
- Exercise caution to avoid slipping or falling.
- Avoid inserting hands into the inlets/outlets of the product while it is turned on.

- Do not install or operate the product in an explosive environment or near flammable materials.
- Do not use the product if the switch does not turn it off. Have the switch replaced by an authorised service centre.
- Turn off the product, remove the battery pack, and allow the product to cool down. Make sure that all moving parts have come to a complete stop:
 - before servicing
 - before clearing a blockage
 - before checking, cleaning, and working on the product
 - before changing accessories
 - before leaving the product unattended
 - whenever performing maintenance
- Immediately turn off the product and remove the battery pack in the event of an accident or breakdown. Never operate the product again until it has been fully checked by an authorised service centre.

BATTERY TOOL USE AND CARE

- Recharge only with the charger specified by the manufacturer. A charger that is suitable for one type of battery pack may create a risk of fire when used with another battery pack.
- Use only battery packs intended specifically for the product. Use of any other battery packs may result in a risk of fire, electric shock, or injury to persons.
- Do not use a battery pack or product that is damaged or modified. Damaged or modified batteries may exhibit unpredictable behaviour resulting in fire, explosion, or risk of injury.
- Do not expose a battery pack or product to fire or excessive temperatures. Exposure to fire or excessive temperature above 130°C may cause explosion.
- When the battery pack is not in use, keep it away from other metal objects, like paper clips, coins, keys, nails, screws, or other small metal objects that can make a connection from one terminal to another. Shorting the battery terminals together may cause burns or a fire.
- Under abusive conditions, liquid may be ejected from the battery. Avoid contact. If contact accidentally occurs, flush with water. If liquid contacts eyes, additionally seek medical help. Liquid ejected from the battery may cause irritation or burns.

CORDLESS STICK PUMP SAFETY WARNINGS

- Ensure that the battery pack is removed from the battery box when installing the product.
- Do not submerge the product above the water barrel hook. Water may enter the electronic components and/or battery pack, which can result in a short circuit, increased risk of fire, and serious personal injury.
- Make sure that the filter is secure and, the water barrel hook is fixed if to be used.
- Ensure that all connections are leak free. Use a thread seal tape or a suitable sealant on the connection thread.
- When tightening threaded connections, please do not apply excessive force that may cause damage.
- Do not use the product for corrosive, abrasive, explosive or dangerous liquids. Fluids other than water damage the product, can create a fire hazard, and could cause physical injuries to the operator.
- Do not use the product with potable water.
- Do not operate the product without liquid. Do not run the product dry.
- Do not use the product when people are in the water.
- Do not remove the hose while the product is still operating.
- Pollution of the liquid could occur due to leakage of lubricants.
- Water discharged from the product may cause the ground to become wet and may cause slipping. Make sure to clean the discharged water after operating the product.
- Do not discharge water to areas with electrical or high voltage elements, active chemicals, or other objects or substances that might cause danger when mixed with water.
- Hold the product securely where there is an overmould grip. Always wear the wrist lanyard except when the barrel hook is used. Do not leave the product unsupervised while in use. Make sure the product cannot tip over.

- Do not expose the inside of the battery compartment to rain or wet conditions. The product is only water resistant when the battery compartment is closed, locked, and without damages. Water entering the product increases the risk of electric shock.

ADDITIONAL BATTERY SAFETY WARNING

To reduce the risk of fire, personal injury, and product damage due to a short circuit, never immerse the product, battery pack, or charger in fluid or allow fluid to flow inside them. Corrosive or conductive fluids, such as seawater, certain industrial chemicals, and bleach or bleach-containing products, etc., can cause a short circuit.

TRANSPORTATION AND STORAGE

- Turn off the product, remove the battery pack, and allow both to cool down before storing or transporting.
- Clean the product thoroughly before storing. Remove any excess water by fully extending the product. Store the product upright and fully extended to drain water completely. Store the product in a dry, well-ventilated area that is inaccessible to children. Keep the product away from corrosive agents, such as garden chemicals and de-icing salts. Do not leave the product outside during freezing conditions.
- When transporting the product in a vehicle, secure it against movement or falling to prevent injury to persons or damage to the product.

TRANSPORTING LITHIUM BATTERIES

Transport the battery in accordance with local and national provisions and regulations.

Follow all special requirements on packaging and labelling when transporting batteries by a third party. Ensure that no batteries can come in contact with other batteries or conductive materials while in transport by protecting exposed connectors with insulating, nonconductive caps or tape. Do not transport batteries that are cracked or leaking. Check with the forwarding company for further advice.

MAINTENANCE

- Use only original manufacturer's replacement parts, accessories, and attachments. Failure to do so can cause possible injury, can contribute to poor performance, and may void your warranty.
- Servicing requires extreme care and knowledge and should be performed only by a qualified service technician. Have the product serviced by an authorised service centre only.
- You may make adjustments and repairs described in this manual. For other repairs, contact an authorised service centre.
- Periodically inspect the pump, hoses, and water inlet and filters. Ensure that the hoses, water inlet, and filters are free from mud, sand, and debris. Ensure there are no damages.
- After each use, clean the product with a soft, dry cloth. Keep the product dry, clean, and free from oil and grease when not in use. Any part that is damaged should be properly repaired or replaced by an authorised service centre.
- Clean the filter only when there is noticeable decline of functionality.
- Bring the product to an authorised service centre to replace damaged or unreadable labels.

KNOW YOUR PRODUCT

See page 103.

1. Timer button
2. On/off button
3. Battery cover
4. Latch
5. Timer indicator lights
6. LED work lights
7. Overmould grip
8. Water outlet
9. Wrist lanyard
10. Water barrel hook
11. Corrugated discharge hose
12. G3/4 adaptor
13. G3/4 connector
14. Outlet adaptor for corrugated discharge hose
15. Height adjustment twist locks
16. Mud filter
17. Operator's manual
18. Debris filter
19. Battery pack
20. Charger
21. Garden hose

SYMBOLS ON THE PRODUCT



Remove the battery pack before starting any work on the product.



Safety alert
Read the instructions carefully before starting the product.



Avoid turning the pole or bottom pump housing when extension collars are unlocked as this could bind the cable inside.



Do not submerge the product above the water barrel hook.



Battery compartment ingress protection



Pump head ingress protection



Maximum operating depth



EurAsian Conformity Mark



European Conformity Mark



British Conformity Mark



Ukraine Conformity Mark



Do not expose the battery pack to rain or damp conditions.

Do not dispose of waste batteries, waste electrical and electronic equipment as unsorted municipal waste. Waste batteries and waste electrical and electronic equipment must be collected separately. Waste batteries, waste accumulators, and light sources have to be removed from the equipment. Check with your local authority or retailer for recycling advice and collection point. According to local regulations, retailers may have an obligation to take back waste batteries and waste electrical and electronic equipment free of charge. Your contribution to the reuse and recycling of waste batteries and waste electrical and electronic equipment helps to reduce the demand of raw materials. Waste batteries, in particular containing lithium, and waste electrical and electronic equipment contain valuable and recyclable materials, which can adversely impact the environment and the human health if not disposed of in an environmentally compatible manner. Delete personal data from waste equipment, if any.



SYMBOLS IN THIS MANUAL



Part or accessories sold separately



Note



Warning

Lors de la conception de la pompe bâton sans fil, l'accent a été mis sur la sécurité, les performances et la fiabilité.

UTILISATION PRÉVUE

La pompe bâton sans fil est conçue pour transférer l'eau propre ou sale des bassins, piscines ou cuves. Le produit peut être utilisé pour évacuer les eaux de crue ou l'excès d'eau de pluie pendant les inondations. Le produit peut également être utilisé pour l'irrigation lorsqu'il est associé à des accessoires d'arrosage.

Proizvod je namijenjen samo uporabi u kući ili kućanstvu. Le produit peut être utilisé en intérieur comme en extérieur.

Utilisez ce produit pour aucun autre travail.

AVERTISSEMENTS GÉNÉRAUX DE SÉCURITÉ

- Ne laissez jamais les enfants, les personnes aux capacités physiques, sensorielles ou mentales réduites ou n'ayant pas l'habitude ou les connaissances suffisantes, ni les personnes non familiarisées avec ces instructions utiliser ce produit. Les lois locales peuvent imposer un âge minimum à l'opérateur. Les enfants doivent être bien surveillés afin de s'assurer qu'ils ne jouent pas avec le produit
- Bien garder tous les avertissements et instructions. Često se referirajte na njih i koristite ih podučavanje drugih osoba koje bi mogle koristiti proizvod. Ako nekome posuđujete proizvod, isto tako ga posudite zajedno s ovim uputama kako biste spriječili nepravilno korištenje proizvoda i moguće ozljede.
- Na radnom području ne smije biti nazočnih osoba, a osobito male djece i kućnih ljubimaca.
- Vérifiez la machine avant chaque utilisation. Vérifiez le bon serrage des attaches, l'absence de fuite de carburant, etc. Assurez-vous que toutes les protections et toutes les poignées sont bien en place et bien verrouillés. Remplacez toute pièce endommagée avant utilisation. Vérifiez l'absence de fuite du pack batterie.
- Ne modifiez la machine d'aucune façon et n'utilisez pas de pièces ou accessoires non recommandés par le fabricant.
- Ne pas utiliser le produit pieds-nus ou avec des sandales ou d'autres chaussures légères similaires. Nosite zaštitnu obuću koja će zaštititi vaša stopala i poboljšati vaše uporište na skliskim površinama.

- Soyez prudent pour éviter de glisser ou de tomber.
- Izbjegavajte stavljanje ruku u ulazne/izlazne otvore proizvoda dok je uključen.
- Proizvod nemojte instalirati niti njime rukovati u eksplozivnom okruženju ili pokraj zapaljivih materijala.
- Ne koristite proizvod ako ga prekidač za isključivanje ne isključuje. Neka se sklopka mijenja samo u ovlaštenom servisnom centru.
- Isključite proizvod, uklonite akumulator i pustite da se proizvod ohladi. Assurez-vous que tous les éléments en mouvement se sont bien arrêtés:
 - avant entretien
 - avant de retirer une obstruction
 - avant de travailler sur le produit, de le vérifier ou de le nettoyer
 - avant de changer les accessoires
 - avant de laisser le produit sans surveillance
 - à chaque fois qu'une opération de maintenance est effectuée
- En cas d'accident ou de panne, mettez immédiatement hors tension le bloc de batterie et déposez-le. N'utilisez plus le produit jusqu'à ce qu'il ait été entièrement vérifié par un service après-vente agréé.

UTILISATION ET EMPLOI SOIGNEUX DES OUTILS ÉLECTRIQUES SANS FIL

- Ne chargez les blocs de batteries que dans des chargeurs recommandés par le fabricant. Un chargeur approprié à un type spécifique de batterie peut engendrer un risque d'incendie lorsqu'il est utilisé avec une autre batterie.
- Koristite samo akumulator namijenjene upravo za proizvod. L'utilisation de tout autre bloc de batterie peut entraîner un incendie, une décharge électrique, ou des blessures.
- Nemojte koristiti akumulator koji je oštećen ili modificiran. Des batteries endommagées ou modifiées peuvent présenter un comportement imprévisible pouvant causer un incendie, une explosion ou un risque de blessure.
- Akumulator ili proizvod nemojte izlagati vatri ili prekomjernim temperaturama. L'exposition au feu ou à des températures excessives supérieures à 130 °C peut provoquer une explosion.
- Lorsqu'un bloc de batterie n'est pas utilisé, le maintenir à l'écart de tout autre objet métallique, par exemple trombones, pièces

de monnaie, clés, clous, vis ou autres objets de petite taille qui peuvent donner lieu à une connexion d'une borne à une autre. Un court-circuit entre les contacts de batterie peut provoquer des brûlures ou un incendie.

- Dans des conditions d'utilisation non conformes, du liquide peut être éjecté de la batterie. Éviter tout contact. En cas de contact accidentel, rincez soigneusement avec de l'eau. Si du liquide entre en contact avec les yeux, consultez immédiatement un médecin. Le liquide qui sort du bloc de batterie peut entraîner des irritations de la peau ou causer des brûlures.

MISES EN GARDE DE SÉCURITÉ CONCERNANT LA POMPE BÂTON SANS FIL

- Uvjerite se da je akumulator izvađen iz kutije akumulatora prilikom instaliranja proizvoda.
- Proizvod nemojte uranjati iznad kuke bačve za vodu. Voda bi mogla ući u elektroničke komponente i/ili akumulator, što može dovesti do kratkog spoja, povećanog rizika od požara i teške tjelesne ozljede.
- S'assurer que le filtre est bien en place et que le crochet du cylindre d'eau est fixé en cas d'utilisation.
- Uvjerite se da nijedan od priključaka ne curi. Upotrijebite brtvenu traku ili odgovarajuće brtvilo na navoju priključka.
- Prilikom pritezanja navojnih priključaka pazite da primjenjujete preveliku silu koja bi mogla prouzročiti oštećenje.
- Proizvod nemojte koristiti za korozivne, abrazivne, eksplozivne ili opasne tekućine. Svi fluidi koji nisu voda mogu oštetiti proizvod, stvoriti opasnost od požara i mogu prouzročiti tjelesne ozljede rukovatelja.
- Proizvod ne koristite s pitkom vodom.
- Proizvod ne puštajte u rad ako u njemu nema tekućine. Nemojte dozvoliti da proizvod radi na suho.
- Ne koristite proizvod dok su ljudi u vodi.
- Ne uklanjajte crijevo dok proizvod radi.
- Zbog curenja maziva može doći do zagađenja tekućine.
- Voda ispuštena iz proizvoda može smočiti tlo i može prouzročiti klizanje. Uvjerite se da ste očistili ispuštenu vodu nakon rada s proizvodom.

- Vodu ne praznite u područja s električnim ili visokonaponskim elementima, aktivnim kemikalijama ili drugim predmetima ili tvarima koje bi mogle prouzročiti opasnu situaciju kada se promiješaju s vodom.
- Maintenir fermement le produit là où il y a une poignée surmoulée. Uvijek nosite vezicu za ručni zglob osim kada se koristi kuka za bačvu. Proizvod ne ostavljajte bez nadzora tijekom upotrebe. Uvjerite se da se proizvod ne može prevrnuti.
- Odjeljak za akumulator ne izlažite kiši niti mokrim vremenskim uvjetima. Le produit n'est étanche que lorsque le compartiment de batterie est fermé, verrouillé et non endommagé. Voda koja ulazi u proizvod povećava rizik od strujnog udara.

MISES EN GARDE DE SÉCURITÉ SUPPLÉMENTAIRES CONCERNANT LA BATTERIE

Pour réduire le risque d'incendie, de blessures corporelles et de dommages causés par un court-circuit, n'immergez jamais le produit, la batterie ou le chargeur dans un liquide et ne laissez jamais de liquide pénétrer dans aucun d'entre eux. Les fluides corrosifs ou conducteurs, tels que l'eau de mer, certains produits chimiques industriels, les produits de blanchiment ou contenant des agents de blanchiment etc. peuvent provoquer un court-circuit

TRANSPORT ET STOCKAGE

- Mettez l'appareil hors tension, retirez le bloc-batterie et laissez-le refroidir avant de le ranger ou de le transporter.
- Nettoyez soigneusement le produit avant le stockage. Uklonite svu suvišnu vodu u potpunosti izvukavši proizvod. Proizvod čuvajte u uspravnom položaju i potpuno izvučen kako biste potpuno ispraznili vodu. Proizvod čuvajte na suhom, dobro provjetrenom mjestu koje je nedostupno djeci. Tenez le produit à l'écart des agents corrosifs tels que les produits chimiques pour le jardin et les sels de dégivrage. Ne pas laisser le produit à l'extérieur pendant les périodes de gel.
- Pour le transport, attachez le produit pour l'empêcher de bouger ou de tomber, afin d'éviter toute blessure et tout dommage matériel.

TRANSPORT DES BATTERIES AU LITHIUM

Transportez les batteries en conformité avec les dispositions et règlements locaux et nationaux.

Respectez toutes les exigences légales particulières concernant l'emballage et l'étiquetage des batteries lorsque vous confiez leur transport à un tiers. Assurez-vous qu'aucune batterie ne puisse entrer en contact avec une autre batterie ou avec des matériaux conducteurs lors de son transport en isolant les bornes électriques avec du ruban adhésif ou des capuchons isolants non conducteurs. Ne transportez pas une batterie qui serait fendue ou qui fuirait. Demandez conseil au transporteur pour de plus amples informations.

ENTRETIEN

- N'utilisez que des pièces détachées et des accessoires d'origine constructeur. Le non respect de cette précaution peut entraîner de mauvaises performances, des blessures, et annuler votre garantie.
- Les réparations demandent un soin et des connaissances extrêmes et ne doivent être effectuées que par un technicien de service qualifié. Confiez l'entretien du produit à un centre de service agréé.
- Vous pouvez effectuer les réglages et réparations décrits dans ce manuel. Pour d'autres réparations ou conseils, faites vous assister par un service après-vente agréé.
- Inspecter régulièrement la pompe, les tuyaux ainsi que l'arrivée d'eau et les filtres. S'assurer que les tuyaux, l'arrivée d'eau et les filtres ne contiennent pas de boue, de sable et de débris. S'assurer qu'il n'y a aucun dommage.
- Après chaque utilisation, utilisez un chiffon propre et sec pour nettoyer le produit. Proizvod održavajte suhim i čistim, a na njemu ne smije biti ulja i masti kada nije u upotrebi. Toute pièce endommagée doit être correctement remplacée ou réparée par un centre de service agréé.
- Filtar čistite samo kada je primjetno pogoršanje funkcionalnosti.
- Apportez le produit à un centre de service agréé pour remplacer les étiquettes abîmées ou illisibles.

APPRENEZ À CONNAÎTRE VOTRE PRODUIT

Voir page 103.

1. Bouton minuteur
2. Bouton Marche/Arrêt
3. Couvercle de la batterie
4. Loquet
5. Témoins lumineux du minuteur
6. Éclairages de travail à LED
7. Poignée surmoulée
8. Sortie d'eau
9. Dragonne
10. Crochet du cylindre d'eau
11. Tuyau d'évacuation annelé
12. Adaptateur G3/4
13. Connecteur G3/4
14. Adaptateur de sortie pour tuyau d'évacuation annelé
15. Verrous tournants de réglage de la hauteur
16. Filtre à boue
17. Manuel utilisateur
18. Filtre à débris
19. Bloc de batterie
20. Chargeur
21. Tuyau d'arrosage

SYMBOLES APPLIQUÉS SUR LE PRODUIT



Retirez le bloc de batterie avant de commencer un quelconque travail sur le produit.



Alerte de sécurité
Veuillez lire attentivement le mode d'emploi avant de démarrer la machine.



Izbjegavajte savijanje štapa ili donjeg dijela kućišta pumpe kada se produžne obujmice deblokiraju jer bi to moglo vezati kabel u njemu.



Proizvod nemojte uranjati iznad kuke bačve za vodu.



Indice de protection du compartiment de la batterie



Indice de protection de la tête de pompe



Profondeur maximale de fonctionnement



Marque de conformité d'Eurasie



Marque de conformité européenne



Marque de conformité britannique



Marque de conformité ukrainienne



Ne pas exposer la batterie à la pluie ou à l'humidité.

Ne jetez pas les batteries et les équipements électriques et électroniques usagés parmi les déchets municipaux non triés. Les batteries et les équipements électriques et électroniques usagés doivent être collectés séparément. Les batteries, accumulateurs et sources lumineuses usagés doivent être retirés de l'équipement.

S'adresser aux autorités locales ou au détaillant spécialisé en vue de connaître l'emplacement des centres de recyclage et des points de collecte. Selon les réglementations locales, les détaillants peuvent avoir l'obligation de récupérer gratuitement les batteries et les équipements électriques et électroniques usagés. Votre contribution à la réutilisation et au recyclage des batteries et équipements électriques et électroniques usagés permet de réduire la demande en matières premières. Les batteries, notamment celles qui contiennent du lithium, ainsi que les équipements électriques et électroniques usagés comportent des matériaux précieux et recyclables, qui peuvent avoir un impact négatif sur l'environnement et la santé humaine s'ils ne sont pas éliminés de manière respectueuse de l'environnement. Supprimer les données personnelles de l'équipement usagé, le cas échéant.



SYMBOLES DE CE MANUEL



Pièces détachées et accessoires vendus séparément



Remarque



Avertissement

Sicherheit, Leistung und Zuverlässigkeit hatten oberste Priorität bei der Entwicklung Ihrer Akku-Regenfasspumpe.

BESTIMMUNGSGEMÄSSE VERWENDUNG

Die Akku-Regenfasspumpe ist dazu bestimmt, verschmutztes oder sauberes Wasser aus Becken, Teichen oder Tanks zu pumpen. Das Produkt kann zur Ableitung von Wasser aus Überschwemmungen oder von überschüssigem Regenwasser bei Überschwemmungen verwendet werden. In Verbindung mit Bewässerungszubehör kann das Produkt auch zur Bewässerung verwendet werden.

Das Gerät ist ausschließlich zur privaten Nutzung geeignet. Das Gerät kann in Innenräumen und im Freien verwendet werden.

Das Produkt darf zu keinen anderen Zwecken verwendet werden.

ALLGEMEINE SICHERHEITSWARNUNGEN

- Lassen Sie niemals Kinder, Personen mit eingeschränkten körperlichen, sensorischen oder mentalen Fähigkeiten oder mangelnder Erfahrung und Wissen oder Personen die mit diesen Anweisungen nicht vertraut sind das Produkt benutzen. Die lokale Gesetzgebung regelt das Mindestalter des Benutzers. Kinder müssen ausreichend beaufsichtigt werden, so dass gewährleistet ist, dass sie nicht mit dem Produkt spielen.
- Bewahren Sie alle Sicherheitshinweise und Anweisungen für die Zukunft auf. Schlagen Sie regelmäßig darin nach und nutzen Sie sie, um andere Benutzer des Geräts einzuweisen. Wenn Sie jemandem dieses Gerät leihen, stellen Sie sicher, dass Sie die Bedienungsanweisungen ebenfalls weiterreichen, um Fehlgebrauch des Geräts und mögliche Verletzungen zu verhindern.
- Halten Sie andere Personen, vor allem kleine Kinder und Haustiere, aus dem Arbeitsbereich fern.
- Untersuchen Sie das Produkt vor jeder Benutzung. Überprüfen Sie auf lockere Verschlüsse, usw. Stellen Sie sicher, dass alle Schutzvorrichtungen und Griffe ordnungsgemäß und sicher befestigt sind. Ersetzen Sie vor der Benutzung jegliche beschädigten Teile. Überprüfen Sie den Akku auf undichte Stellen.

- Verändern Sie das Produkt nicht in irgendeiner Weise oder verwenden Teile oder Zubehör die nicht vom Hersteller empfohlen sind.
- Betreiben Sie das Produkt nicht, während Sie barfuß sind oder offene Sandalen bzw. ähnliches leichtes Schuhwerk tragen. Tragen Sie Sicherheitsschuhe, die Ihre Füße schützen und Ihren Stand auf rutschigen Oberflächen verbessern.
- Achten Sie darauf, nicht zu rutschen oder zu fallen.
- Stecken Sie die Hände nicht in die Einlässe/Auslässe des Geräts, während es eingeschaltet ist.
- Installieren Sie das Gerät nicht in explosiven Umgebungen oder in der Nähe entzündlicher Materialien.
- Verwenden Sie das Gerät nicht, wenn der Ausschalter das Gerät nicht ausschaltet. Lassen Sie den Schalter von einer autorisierten Servicestelle ersetzen.
- Schalten Sie das Gerät aus, entfernen Sie den Akku und lassen Sie das Gerät abkühlen. Stellen Sie sicher, dass alle bewegliche Teile vollständig angehalten sind:
 - bevor Sie das Produkt warten
 - bevor Sie eine Blockierung entfernen
 - bevor Sie das Produkt prüfen, reinigen oder daran arbeiten
 - bevor Sie Zubehörteile wechseln
 - bevor Sie das Produkt unbeaufsichtigt zurücklassen
 - wenn Sie Wartungsarbeiten durchführen
- Schalten Sie das Gerät bei Unfällen oder Ausfällen sofort aus und entfernen Sie den Akku. Das Produkt darf nicht wieder in Betrieb genommen werden, bis es vollständig von einem autorisierten Kundendienst überprüft wurde.

VERWENDUNG UND BEHANDLUNG DES AKKUWERKZEUGES

- Laden Sie die Akkus nur in Ladegeräten auf, die vom Hersteller empfohlen werden. Für ein Ladegerät, das für eine bestimmte Art von Akku geeignet ist, besteht Brandgefahr, wenn es mit anderen Akkus verwendet wird.
- Verwenden Sie ausschließlich spezifisch für das Gerät vorgesehene Akkupacks. Die Verwendung anderer Akkus kann zu Feuergefahr, Stromschlägen oder Verletzungen führen.

- Verwenden Sie keine beschädigten oder modifizierten Akkus oder Geräte. Beschädigte oder modifizierte Akkus können zu unvorhersehbaren Reaktionen führen, was zu Feuer, Explosion oder Verletzungsgefahr führt.
- Setzen Sie Akkus oder Geräte nicht Feuer oder zu hohen Temperaturen aus. Feuereinwirkung oder hohe Temperaturen über 130 °C können zu einer Explosion führen.
- Halten Sie den nicht benutzten Akku fern von Büroklammern, Münzen, Schlüsseln, Nägeln, Schrauben oder anderen kleinen Metallgegenständen, die eine Überbrückung der Kontakte verursachen könnten. Ein Kurzschluss zwischen den Akkukontakten kann Verbrennungen oder Feuer zur Folge haben.
- Bei Missbrauch kann Flüssigkeit aus dem Akku austreten. Vermeiden Sie das Berühren dieser Flüssigkeit. Bei zufälligem Kontakt mit Wasser abspülen. Suchen Sie außerdem medizinische Hilfe auf, falls die Flüssigkeit in die Augen gerät. Austretende Akkufflüssigkeit kann zu Hautreizungen oder Verbrennungen führen.

SICHERHEITSHINWEISE ZUR AKKU-REGENFASSPUMPE

- Stellen Sie beim Installieren des Geräts sicher, dass der Akku aus dem Akkugehäuse entnommen wurde.
- Tauchen Sie das Gerät nicht tiefer als bis zum Wasserfasshaken ein. Wasser könnte in die elektronischen Komponenten und/oder in den Akku eindringen, was zu Kurzschlüssen, erhöhter Brandgefahr und schwerwiegenden Personenschäden führen könnte.
- Vergewissern Sie sich, dass der Filter fest sitzt und der Wasserfasshaken befestigt ist, falls er verwendet werden soll.
- Stellen Sie sicher, dass alle Verbindungen dicht sind. Sichern Sie das Verbindungsgewinde mit Gewinde-Dichtungsband oder einem geeigneten Dichtstoff.
- Bitte setzen Sie beim Abdichten von Gewindeverbindungen keine übermäßige Kraft ein, die Schäden verursachen könnte.
- Verwenden Sie das Gerät nicht für ätzende, abrasive, explosive oder gefährliche

Flüssigkeiten. Flüssigkeiten, mit Ausnahme von Wasser, beschädigen das Gerät, können eine Brandgefahr darstellen und können den Bediener körperlich schädigen.

- Verwenden Sie das Gerät nicht für Trinkwasser.
- Betreiben Sie das Gerät nicht ohne Flüssigkeit. Lassen Sie das Gerät nicht trocken laufen.
- Verwenden Sie das Gerät nicht, wenn sich Personen im Wasser aufhalten.
- Entfernen Sie den Schlauch nicht, während das Gerät noch läuft.
- Die Flüssigkeit kann aufgrund von Schmierstoffleckagen verschmutzt werden.
- Das aus dem Gerät abgelassene Wasser kann dazu führen, dass der Boden nass und rutschig wird. Achten Sie darauf, das abgelassene Wasser nach dem Betreiben des Geräts zu entfernen.
- Lassen Sie das Wasser nicht an Stellen mit Elektro- oder Starkstromkomponenten, aktiven Chemikalien oder sonstigen Gegenständen oder Substanzen ab, die beim Mischen mit Wasser Gefahren bewirken können.
- Halten Sie das Produkt an dem überzogenen Haltegriff. Tragen Sie immer das Trageband für das Handgelenk, es sei denn, der Wasserfasshaken wird verwendet. Lassen Sie das Gerät nicht unbeaufsichtigt laufen. Stellen Sie sicher, dass das Gerät nicht kippen kann.
- Setzen Sie das Innere des Akkufachs nicht Regen oder nassen Bedingungen aus. Das Produkt ist nur wasserdicht, wenn das Akkufach geschlossen, verriegelt und unbeschädigt ist. Wasser, das in das Gerät eindringt, erhöht das Risiko eines Stromschlags.

WEITERE SICHERHEITSHINWEISE ZUM AKKU

Um die Brandgefahr sowie die Gefahr von Personenschaden und der Beschädigung des Produkts aufgrund eines Kurzschlusses zu reduzieren, halten Sie das Gerät, den Akku und das Ladegerät von Flüssigkeiten fern. Korrodierende oder leitfähige Flüssigkeiten, wie Salzwasser, bestimmte Chemikalien und Bleichmittel oder Produkte, die Bleichmittel enthalten, können einen Kurzschluss verursachen.

TRANSPORT UND LAGERUNG

- Schalten Sie das Gerät aus, entfernen Sie den Akku und lassen Sie das Gerät abkühlen, bevor Sie es aufbewahren oder transportieren.
- Reinigen Sie das Produkt gründlich, ehe Sie es zur Lagerung verstauen. Entfernen Sie das gesamte überschüssige Wasser, indem Sie das Teleskoprohr des Geräts vollständig ausziehen. Lagern Sie das Gerät aufrecht und mit vollständig ausgezogenem Teleskoprohr, um das Wasser vollständig abzulassen. Lagern Sie das Produkt an einem gut belüfteten trockenen und für Kinder unzugänglichen Ort. Halten Sie das Produkt von ätzenden Mitteln wie Gartenchemikalien und Streusalz fern. Lassen Sie das Produkt nicht bei Frost im Freien stehen
- Sichern Sie das Produkt beim Transport in einem Fahrzeug gegen Bewegung oder Herunterfallen, um Verletzungen an Personen und Beschädigung des Produktes zu verhindern.

TRANSPORT VON LITHIUM-IONEN-AKKUS

Transportieren Sie Akkus gemäß Ihren örtlichen und nationalen Bestimmungen und Regeln.

Befolgen Sie alle besonderen Anforderungen für Verpackung und Beschriftung, wenn Sie Akkus von Dritten transportieren lassen. Stellen Sie sicher, dass beim Transport kein Akku in Kontakt mit anderen Akkus oder leitenden Materialien kommt, indem Sie die freien Anschlüsse mit Isolierband, nichtleitenden Kappen oder Klebeband schützen. Beschädigte oder auslaufende Akkus dürfen nicht transportiert werden. Weitere Informationen erhalten Sie bei Ihrem Transportunternehmen.

WARTUNG UND PFLEGE

- Verwenden Sie ausschließlich original Ersatzteile, Zubehör und Aufsätze des Herstellers. Nichtbefolgung kann mögliche Verletzungen oder schlechte Leistung verursachen und Ihre Garantie ungültig machen.
- Service und Wartung des Gerätes erfordert besonderen Sorgfalt und Kenntnisstand und sollte nur durch qualifiziertes Personal durchgeführt werden. Lassen Sie das Gerät nur von einem autorisierten Servicecenter warten.

- Sie dürfen die in dieser Bedienungsanleitung beschriebenen Einstellungen und Reparaturen durchführen. Kontaktieren Sie Ihren autorisierten Kundendienst für andere Reparaturen.
- Überprüfen Sie von Zeit zu Zeit die Pumpe, die Schläuche, die Einlassöffnung und die Filter. Stellen Sie sicher, dass die Schläuche und die Einlassöffnung und die Filter frei von Schlamm, Sand und Ablagerungen sind. Stellen Sie sicher, dass keine Schäden vorhanden sind.
- Reinigen Sie das Produkt nach jeder Benutzung mit einem weichen, trockenen Lappen. Halten Sie das Gerät bei Nichtbenutzung trocken, sauber und frei von Öl und Fett. Jedes beschädigte Teil muss durch den autorisierten Kundendienst ordnungsgemäß repariert oder ausgetauscht werden.
- Reinigen Sie den Filter nur bei deutlicher Abnahme der Funktion.
- Bringen Sie das Produkt zu einem autorisierten Kundendienst zurück, um beschädigte oder unleserliche Aufkleber zu ersetzen.

MACHEN SIE SICH MIT IHREM PRODUKT VERTRAUT

Siehe Seite 103.

1. Timer-Taste
2. Ein-/Aussschalter
3. Batterieabdeckung
4. Verschluss
5. Timer-Anzeigeleuchten
6. LED-Arbeitsleuchten
7. Haltegriff
8. Wasserauslass
9. Trageband für das Handgelenk
10. Wasserfasshaken
11. Spiralablaufschlauch
12. G3/4-Kupplung
13. G3/4-Adapter
14. Auslaufadapter für Spiralablaufschlauch
15. Teleskoprohr mit Arretierungen
16. Schlammfilter
17. Bedienungsanleitung
18. Schuttfilter
19. Akkupack
20. Ladegerät
21. Gartenschlauch

SYMBOLE AUF DEM PRODUKT



Entfernen Sie den Akku, bevor Sie mit Arbeiten an dem Produkt beginnen.



Sicherheitswarnung
Bitte lesen Sie die Anweisungen sorgfältig, bevor Sie das Gerät einschalten.



Vermeiden Sie es, das Teleskoprohr oder das untere Pumpengehäuse zu verdrehen, wenn die Arretierungen des Teleskoprohrs gelöst sind, da dies das innenliegende Kabel einklemmen würde.



Tauchen Sie das Gerät nicht tiefer als bis zum Wasserfashaken ein



IPX5

Schutzgrad für Akkufach



IPX8

Schutzgrad für Pumpenkopf



1.2m

Maximale Arbeitstiefe



EurAsian Konformitätszeichen



Europäisches Konformitätskennzeichen



Britisches Konformitätskennzeichen



Ukrainisches Konformitätskennzeichen



Setzen Sie den Akku nicht Regen oder feuchten Bedingungen aus.

Entsorgen Sie Altbatterien, Elektro- und Elektronikaltgeräte nicht als unsortierten Siedlungsabfall. Altbatterien und Elektro- und Elektronikaltgeräte müssen getrennt gesammelt werden. Altbatterien, Altakkumulatoren und Lichtquellen müssen aus den Geräten entfernt werden. Erkundigen Sie sich bei den örtlichen Behörden oder bei Ihrem Fachhändler nach Recyclinghöfen und Sammelstellen. Je nach den örtlichen Vorschriften kann der Einzelhandel verpflichtet sein, Altbatterien und Elektro- und Elektronik-Altgeräte unentgeltlich zurückzunehmen. Ihr Beitrag zur Wiederverwendung und zum Recycling von Elektro- und Elektronikaltgeräten trägt dazu bei, den Bedarf an Rohstoffen zu verringern. Altbatterien, insbesondere lithiumhaltige Batterien, und Elektro- und Elektronik-Altgeräte enthalten wertvolle, wiederverwertbare Materialien, die sich negativ auf die Umwelt und die menschliche Gesundheit auswirken können, wenn sie nicht auf umweltverträgliche Weise entsorgt werden. Löschen Sie ggf. personenbezogene Daten aus Altgeräten.



SYMBOLE IN DIESER BEDIENUNGSANLEITUNG



Teile oder Zubehör getrennt erhältlich



Hinweis



Warnung

La seguridad, el rendimiento y la fiabilidad han sido las máximas prioridades a la hora de diseñar esta bomba con barra telescópica inalámbrica.

USO PREVISTO

La bomba con barra telescópica inalámbrica está diseñada para extraer agua, tanto limpia como sucia, de estanques, piscinas o depósitos. El producto se puede utilizar para drenar aguas de zonas inundadas o el exceso de aguas pluviales en inundaciones. El producto también se puede utilizar para regar cuando se acopla a accesorios de riego.

Este producto está concebido únicamente para un uso doméstico. El producto se puede utilizar tanto en espacios interiores como exteriores.

No la use para ninguna otra finalidad.

ALERTA DE SEGURIDAD GENERAL

- Nunca deje que utilicen este aparato niños, personas con capacidad física, sensorial o mental reducida, personas sin experiencia ni conocimientos ni personas que no estén familiarizadas con estas instrucciones. Las regulaciones locales pueden restringir la edad del operario. Los niños deben estar adecuadamente supervisados para asegurarse de que no juegan con el producto.
- Conserve estas advertencias e instrucciones para poder consultarlas posteriormente. Consúltelas con frecuencia y utilícelas para enseñar a otras personas cómo deben usar el producto. Si deja a alguien el producto, entréguele también estas instrucciones para evitar un mal uso del producto y posibles daños.
- No permita la presencia de personas, especialmente niños pequeños, y mascotas en la zona de trabajo.
- Inspeccione la máquina antes de cada uso. Compruebe los cierres sueltos, las fugas de combustible, etc. Asegúrese de que todas las protecciones y mangos están unidos de forma correcta y segura. Sustituya cualquier pieza dañificada antes de su utilización. Compruebe si hay fugas en la batería.
- No modifique la herramienta de modo alguno ni utilice piezas o accesorios que no sean los recomendados por el fabricante.

- No utilice el producto si va descalzo, si lleva sandalias o cualquier otro calzado ligero similar. Use calzado protector antideslizante que le proteja los pies y mejore su equilibrio en superficies deslizantes.
- Tenga precaución para evitar resbalar o caerse.
- Evite colocar las manos en las entradas/salidas del producto durante su funcionamiento.
- No instale ni accione el producto en un entorno explosivo o cerca de materiales inflamables.
- No utilice el producto si el interruptor de apagado no detiene su funcionamiento. Solicite la sustitución del interruptor en un centro de servicio autorizado.
- Apague el producto, retire la batería y deje que el producto se enfríe. Asegúrese de que todas las partes móviles se han detenido por completo:
 - antes del mantenimiento
 - antes de limpiar una obstrucción
 - antes de inspeccionar, limpiar o trabajar con el producto
 - antes de cambiar los accesorios
 - antes de dejar el producto sin vigilancia
 - siempre que se lleve a cabo el mantenimiento
- Apague inmediatamente la unidad y retire la batería en caso de accidente o avería. No vuelva a utilizar el producto hasta que un servicio de mantenimiento autorizado lo haya inspeccionado completamente.

USO Y CUIDADO DE LA HERRAMIENTA

- Recargue la unidad solamente con el cargador especificado por el fabricante. Podría haber un riesgo de incendio cuando se utilice un cargador con una batería para la que no está diseñado.
- Utilice únicamente baterías concebidas específicamente para este producto. El uso de cualquier otra batería puede resultar en un riesgo de incendio, descargas eléctricas o lesiones personales.
- No utilice una batería o un producto que haya sufrido daños o modificaciones. Las baterías dañadas o modificadas pueden presentar un comportamiento impredecible y provocar fuego, explosión o riesgo de lesión.

- No exponga una batería o producto al fuego o a temperaturas excesivas. La exposición al fuego o a una temperatura excesiva superior a 130 °C puede provocar una explosión.
- Cuando la batería no está en uso, manténgala alejada de otros objetos metálicos como clips, monedas, llaves, clavos, tornillos u otros objetos metálicos pequeños que puedan crear una conexión desde una terminal a otra. Causar un cortocircuito en los terminales de la batería puede causar quemaduras o un incendio.
- En condiciones indebidas, puede salir líquido de la batería. Evite su contacto. Si se produce un contacto accidental, enjuáguese las manos con agua. Si el líquido entra en contacto con los ojos, acuda inmediatamente al médico. Si el líquido es expulsado de la batería y entra en contacto con él, podría causar irritación o quemaduras.

ADVERTENCIAS DE SEGURIDAD DE LA BOMBA CON BARRA TELESCÓPICA INALÁMBRICA

- Asegúrese de retirar la batería del compartimento de la batería antes de instalar el producto.
- No sumerja el producto encima del gancho portabidones de agua. El agua podría penetrar en los componentes electrónicos y/o en la batería, lo que podría provocar un cortocircuito, un mayor riesgo de que se produzca un incendio y lesiones personales graves.
- Asegúrese de que el filtro esté colocado y el gancho portabidones de agua esté fijado si debe utilizarse.
- Asegúrese de que no haya ninguna fuga en las conexiones. Utilice una cinta de sellado de roscas o un sellador adecuado en la rosca de conexión.
- Al apretar las conexiones roscadas, no aplique una fuerza excesiva, ya que esto podría causar daños.
- No utilice el producto para bombear líquidos corrosivos, abrasivos, explosivos o peligrosos. Los líquidos que no sean agua pueden dañar el producto, provocar

un incendio y también podrían provocar lesiones físicas al usuario.

- No utilice el producto con agua potable.
- No utilice el producto sin líquido. No permita que el producto funcione en seco.
- No utilice el producto cuando haya gente en el agua.
- No quite la manguera mientras el producto esté en funcionamiento.
- El líquido podría contaminarse debido a una fuga de lubricantes.
- El agua descargada del producto puede hacer que el suelo se moje y provocar resbalones. Asegúrese de limpiar el agua descargada después de utilizar el producto.
- No descargue agua en zonas con componentes eléctricos o de alta tensión, sustancias químicas activas u otros objetos o sustancias que puedan provocar un peligro en contacto con el agua.
- Sujete el producto con firmeza por el agarre sobremoldeado. Utilice siempre el amarre de muñeca excepto cuando se use el gancho portabidones. No deje el producto sin vigilancia mientras esté en uso. Asegúrese de que el producto no se pueda volcar.
- No exponga el interior del compartimento de la batería a la lluvia o la humedad. El producto solo es resistente al agua cuando el compartimento de la batería está cerrado, bloqueado y no presenta daños. La entrada de agua en el producto aumenta el riesgo de que se produzca una descarga eléctrica.

ADVERTENCIAS DE SEGURIDAD DE LA BATERÍA ADICIONAL

Para reducir el riesgo de incendio, lesiones personales y daños al producto provocados por un cortocircuito, nunca sumerja el producto, la batería o el cargador en líquido, ni permita que un líquido fluya por su interior. Los fluidos corrosivos o conductivos, como el agua de mar, ciertos productos químicos industriales y blanqueadores o lejías que contienen, etc., Pueden causar un cortocircuito.

TRANSPORTE Y ALMACENAMIENTO

- Apague el producto, extraiga la batería y deje que el producto se enfríe antes de almacenarlo o transportarlo.
- Limpie el producto en profundidad antes de guardarlo. Retire cualquier exceso de agua extendiendo al máximo el producto. Guarde el producto en posición vertical y totalmente extendido para drenar el agua en su totalidad. Guarde el producto en una zona seca, bien ventilada y fuera del alcance de los niños. Almacene el producto lejos de agentes corrosivos como sales de deshielo y productos químicos de jardín. No deje el producto al aire libre en condiciones de mucho frío.
- Para el transporte, asegure el producto para que no se mueva ni se caiga y evitar así lesionar a alguien o dañar el producto.

TRANSPORTE DE BATERÍAS DE LITIO

Transporte de baterías de acuerdo con las disposiciones y reglamentos nacionales y locales.

Cumpla todos los requisitos especiales relativos al embalaje y etiquetado cuando el transporte de baterías se lleve a cabo por un tercero. Asegúrese de que, durante el transporte, las baterías no entran en contacto con otras baterías o materiales conductores protegiendo los conectores expuestos con tapones o tapas aislantes de material no conductor. No transporte baterías que tengan grietas o fugas. Consulte a la empresa de transporte para obtener más asesoramiento.

MANTENIMIENTO

- Utilice sólo piezas y accesorios de recambio originales del fabricante. Si no lo hace podría ocurrir un mal funcionamiento, podrían producirse daños o podría quedar anulada la garantía.
- Las reparaciones requieren tener mucho cuidado y conocimiento y sólo debe realizarse por un técnico de servicio calificado. Solicite la reparación del producto únicamente en un centro de servicio autorizado.

- Usted puede realizar los ajustes y reparaciones descritos en este manual del usuario. Para otras reparaciones o consejos, busque la ayuda de un centro de servicio autorizado.
- Compruebe de forma periódica la bomba, las mangueras, la entrada de agua y los filtros. Asegúrese de que no haya lodo, arena y suciedad en las mangueras, la entrada de agua y los filtros. Asegúrese de que no haya daños.
- Limpiar el producto con un paño suave seco después de cada uso. Mantenga el producto seco, limpio y libre de aceite y grasa cuando no se esté utilizando. Cualquier pieza dañada debe ser sustituida o reparada adecuadamente por un centro de servicio autorizado.
- Limpie el filtro únicamente cuando se observe claramente un deterioro en la funcionalidad.
- Lleve el aparato a un centro de servicios autorizado para sustituir las etiquetas dañadas o ilegibles.

CONOZCA SU PRODUCTO

Véase la página 103.

1. Botón de temporizador
2. Botón de encendido/apagado
3. Cubierta de la batería
4. Cierre
5. Luces indicadoras del temporizador
6. Luces de trabajo LED
7. Agarre sobremoldeado
8. Salida de agua
9. Amarre de muñeca
10. Gancho portabidones de agua
11. Manguera de descarga corrugada
12. Adaptador G3/4
13. Conector G3/4
14. Adaptador de salida para la manguera de descarga corrugada
15. Cierres giratorios de ajuste de altura
16. Filtro de lodo
17. Manual de instrucciones
18. Filtro de suciedad
19. Batería
20. Cargador
21. Manguera de jardín

SÍMBOLOS EN EL PRODUCTO



Quite las baterías antes de empezar ningún trabajo con el producto.



Advertencia
Por favor lea las instrucciones detenidamente antes de arrancar la máquina.



Evite retorcer el mástil o la carcasa inferior de la bomba al desbloquear los anillos de extensión, ya que esto podría provocar el atrapamiento del cable en el interior.



No sumerja el producto encima del gancho portabidones de agua.



IPX5

Protección de entrada en el compartimento de la batería



IPX8

Protección de entrada en el cabezal de la bomba



1.2m

Profundidad máxima de funcionamiento



Certificado EAC de conformidad



Marca de conformidad europea



Marca de conformidad británica



001

Marca de conformidad de Ucrania



No exponga la batería a la lluvia o la humedad.

No deseche los residuos de baterías, aparatos eléctricos y electrónicos como residuos municipales no clasificados. Los residuos de baterías, aparatos eléctricos y electrónicos se deben recoger de forma independiente. Los residuos de baterías, acumuladores y fuentes de luz se deben retirar de los aparatos. Consulte con las autoridades locales o su distribuidor local para recibir asesoramiento sobre el reciclado y el punto de recogida. De acuerdo con lo establecido en las normativas locales, los establecimientos minoristas pueden tener la obligación de recuperar los residuos de baterías, aparatos eléctricos y electrónicos de forma gratuita. Su contribución a la hora de reutilizar y reciclar los residuos de baterías y los residuos de aparatos eléctricos y electrónicos ayuda a reducir la demanda de materias primas. Los residuos de baterías, en especial las que contienen litio, y los residuos de aparatos eléctricos y electrónicos contienen materiales valiosos que se pueden reciclar, y que podrían afectar de forma negativa al medio ambiente y a la salud humana si no se desechan de un modo medioambientalmente responsable. Si lo hubiera, elimine cualquier dato personal de los residuos de los aparatos.



SÍMBOLOS EN ESTE MANUAL



Las piezas o accesorios se venden por separado



Nota



Advertencia

Durante la progettazione di questa pompa a bastone senza fili è stata data la massima priorità a sicurezza, prestazioni e affidabilità.

UTILIZZO RACCOMANDATO

La pompa a bastone senza fili è pensata per il trasferimento di acqua, pulita o sporca, fuori da laghetti, piscine o serbatoi. Il prodotto può essere utilizzato per scaricare acqua di inondazione o controllare l'acqua piovana in eccesso durante le inondazioni. Il prodotto può essere utilizzato anche per l'irrigazione quando abbinato con accessori di irrigazione.

Il prodotto è pensato solo per uso domestico. Il prodotto può essere utilizzato in ambienti interni ed esterni.

Non utilizzare per altri scopi.

AVVERTENZE GENERALI DI SICUREZZA

- Non lasciare mai che bambini, persone con ridotte capacità fisiche, sensoriali o mentali o mancanza di esperienza e conoscenza o persone non familiari con queste istruzioni utilizzino il prodotto. Leggi locali possono limitare l'età dell'operatore. Supervisionare adeguatamente i bambini per assicurarsi che non giochino con il prodotto.
- Conservare le presenti avvertenze ed istruzioni per poterle consultare in seguito. Fare riferimento ad esse e utilizzarle per istruire tutti coloro che potrebbero utilizzare il prodotto. Se il prodotto viene dato in prestito, prestare anche le presenti istruzioni al fine di impedire l'uso errato dello strumento e possibili lesioni.
- L'area di funzionamento deve essere sgombra di persone, specialmente bambini e animali.
- Controllare l'utensile prima di ogni utilizzo. Controllare eventuali parti di collegamento allentate, perdite di carburante, ecc. Assicurarsi che parolame e manici siano montati accuratamente e correttamente. Sostituire le parti danneggiate prima dell'utilizzo. Controllare che il gruppo batterie non perda.
- Non modificare l'utensile in alcun modo né utilizzare parti e accessori non raccomandati dalla ditta produttrice.
- Non utilizzare il prodotto a piedi scalzi o indossando sandali aperti e calzature simili. Indossare calzature protettive in grado di

proteggere i piedi e migliorare l'appoggio su superfici scivolose.

- Procedere con cautela per evitare scivolamenti o cadute.
- Evitare di inserire mani in ingressi/uscite mentre il prodotto è in uso.
- Non installare o azionare il prodotto in un ambiente esplosivo o vicino a materiali infiammabili.
- Non utilizzare il prodotto se l'interruttore off non lo spegne. Far sostituire l'interruttore da un centro di assistenza autorizzato.
- Spegnerne il prodotto, rimuovere la batteria e lasciare che il prodotto si raffreddi. Assicurarsi che tutte le parti in movimento si siano arrestate:
 - prima degli interventi di assistenza
 - prima di rimuovere un blocco
 - prima di svolgere le operazioni di controllo o pulizia sul prodotto o prima di utilizzarlo
 - prima di cambiare accessori
 - prima di lasciare il prodotto incustodito
 - ogniqualvolta si esegue la manutenzione
- Spegnerne immediatamente il prodotto e rimuovere il pacco batteria in caso di incidente o guasto. Non utilizzare di nuovo il prodotto finché non è stato controllato a fondo da un centro di assistenza autorizzato.

UTILIZZO E MANUTENZIONE DI UN UTENSILE A BATTERIE

- Ricaricare solo con il caricatore indicato dalla ditta produttrice. Un caricatore adatto per un tipo di batterie potrà creare un rischio di incendio se utilizzato con un altro gruppo batterie.
- Utilizzare esclusivamente batterie specificamente pensate per il prodotto. L'utilizzo di gruppi batteria diversi da quello indicato potrà causare rischi di incendi, scosse elettriche o lesioni alla persona.
- Non utilizzare un pacco batteria o un prodotto che è danneggiato o modificato. Le batterie danneggiate o alterate potrebbero avere un comportamento imprevedibile e causare incendi, esplosioni o rischio di lesioni.
- Non esporre il pacco batteria o il prodotto a fuoco o a temperature eccessive. L'esposizione al fuoco o a temperature eccessive oltre i 130 °C potrebbero causare l'esplosione.

- Quando il gruppo batterie non viene utilizzato, tenerlo lontano da oggetti in metallo come fermagli, monete, chiavi, chiodi, viti o altri piccoli oggetti che potranno fare da tramite da un terminale all'altro. Cortocircuitare i terminali della batteria assieme potrà causare scottature o incendi.
- In condizioni scorrette, la batteria può espellere liquidi. Evitare il contatto. Se si entra accidentalmente in contatto con tali liquidi, lavarsi immediatamente con acqua. Se il liquido entra negli occhi, rivolgersi a un medico. Il liquido espulso dalla batteria potrà causare irritazioni o scottature.

AVVERTENZE DI SICUREZZA DELLA POMPA A BASTONE SENZA FILI

- Assicurarsi che il pacco batteria sia rimosso dalla scatola quando si installa il prodotto.
- Non immergere il prodotto sopra il gancio della botte dell'acqua. L'acqua potrebbe entrare nei componenti elettronici e/o nel pacco batteria, causando cortocircuiti, maggiore possibilità di incendi e gravi lesioni personali.
- Assicurarsi che il filtro sia sicuro e, il gancio della botte d'acqua sia fissato per essere utilizzato.
- Assicurarsi che tutti i collegamenti siano a tenuta stagna. Utilizzare un nastro sigillante o un sigillante adatto sulla filettatura di collegamento.
- Quando si stringono i collegamenti filettati, non applicare forza eccessiva che potrebbe causare danni.
- Non utilizzare il prodotto per liquidi corrosivi, abrasivi, esplosivi o pericolosi. I fluidi diversi dall'acqua danneggiano il prodotto, possono creare pericolo di incendio e causare lesioni fisiche all'operatore.
- Non utilizzare il prodotto con acqua potabile.
- Non azionare il prodotto senza liquido. Non azionare il prodotto a secco.
- Non utilizzare il prodotto quando le persone sono nell'acqua.
- Non rimuovere il tubo flessibile mentre il prodotto è in funzione.
- La contaminazione del liquido potrebbe verificarsi a causa di perdita di lubrificanti.
- L'acqua scaricata dal prodotto potrebbe causare che il pavimento si bagni e diventi

scivoloso. Assicurarsi di pulire l'acqua scaricata dopo aver azionato il prodotto.

- Non scaricare l'acqua in aree con elementi elettrici o ad alta tensione, prodotti chimici attivi o altri oggetti o sostanze che potrebbero causare pericoli se miscelati con l'acqua.
- Mantenere bene il prodotto se è presente una maniglia rivestita. Utilizzare sempre il cordino da polso tranne se viene usato il gancio della botte. Non lasciare il prodotto non supervisionato se in uso. Assicurarsi che il prodotto non si ribalti.
- Non esporre l'interno dello scomparto batteria a pioggia o umidità. Il prodotto è resistente all'acqua solo quando lo scomparto è chiuso, bloccato e senza danni. L'acqua che entra nel prodotto aumenta la possibilità di scosse elettriche.

AVVERTENZE AGGIUNTIVE PER LA SICUREZZA DELLA BATTERIA

Per ridurre il rischio di incendio, lesioni personali e danni al prodotto dovuti a corto circuito, non immergere mai il prodotto, il pacco batteria o il caricabatterie in liquidi, né favorire la penetrazione di liquidi al loro interno. I fluidi corrosivi o conduttori come acqua salata, alcuni agenti chimici, agenti candeggianti o prodotti contenenti agenti candeggianti potrebbero provocare un corto circuito.

TRASPORTO E RIPONIMENTO

- Spegnerne il prodotto, rimuovere il pacco batteria e lasciare che si raffreddi prima di conservarlo o trasportarlo.
- Pulire con cura l'apparecchio prima di riportarlo. Rimuovere l'acqua in eccesso allungando completamente il prodotto. Conservare il prodotto in posizione verticale e completamente esteso per scaricare completamente l'acqua. Conservare il prodotto in un'area asciutta e ben ventilata che è inaccessibile ai bambini. Tenere il prodotto lontano da agenti corrosivi come agenti chimici da giardino e sali scongelanti. Non lasciare il prodotto all'esterno in caso di gelo.
- Per trasportare il prodotto, assicurarlo da eventuali movimenti o cadute per evitare lesioni a persone o danni al prodotto.

TRASPORTO BATTERIE AL LITIO

Trasportare le batterie rispettando quanto indicato dalle norme e regolamentazioni locali.

Far rispettare quanto indicato sulle etichette e sull'involucro quando la batteria viene trasportata da terzi. Assicurarsi che le batterie non entrino in contatto con altre batterie o con materiali conduttivi mentre si trasportano proteggendo connettori esposti con tappi o nastro isolante e non conduttivo. Non trasportare batterie rotte o che perdono liquidi. Consultare la ditta produttrice per eventuali ulteriori consigli.

MANUTENZIONE

- Utilizzare solo parti di ricambio, accessori e dispositivi originali della ditta produttrice. In caso contrario si potranno causare lesioni, prestazioni basse e la garanzia verrà invalidata.
- Le operazioni di manutenzione devono essere svolte con grande attenzione e accuratezza solo da un tecnico qualificato. Far riparare il prodotto esclusivamente da un centro assistenza autorizzato.
- L'operatore potrà fare le regolazioni e riparazioni descritte nel presente manuale. Per altre riparazioni o consigli, rivolgersi a un centro servizi autorizzato.
- Ispezionare periodicamente la pompa, i tubi e l'ingresso dell'acqua e i filtri. Assicurarsi che i tubi flessibili, l'ingresso dell'acqua e i filtri siano privi di fango, sabbia o detriti. Assicurarsi che non ci siano danni.
- Dopo ogni uso, pulire il prodotto con una panno morbido e asciutto. Tenere il prodotto asciutto, pulito e senza olio e grasso. Riparare eventuali parti danneggiate o farle sostituire da un centro servizi autorizzato.
- Pulire il filtro solo quando c'è una evidente riduzione della funzionalità.
- Portare il prodotto presso un centro servizi autorizzato per sostituire le parti danneggiate o le etichette illeggibili.

FAMILIARIZZARE CON IL PRODOTTO

Vedere pagina 103.

1. Pulsante timer
2. Tasto acceso/spento
3. Coperchio della batteria
4. Linguetta
5. Luci spia timer

6. Luci di lavoro LED
7. Presa rivestita
8. Uscita dell'acqua
9. Cordino da polso
10. Gancio botte dell'acqua
11. Tubo di scarico ondulato
12. Adattatore G3/4
13. Connettore G3/4
14. Adattatore uscita per tubo flessibile di scarico ondulato
15. Blocchi di rotazione regolazione altezza
16. Filtro fango
17. Manuale dell'operatore
18. Filtro detriti
19. Batteria
20. Caricatore
21. Tubo da giardino

SIMBOLI SUL PRODOTTO



Rimuovere la batteria prima di iniziare qualsiasi lavoro sul prodotto.



Avvertenza
Leggere attentamente le istruzioni prima di avviare l'utensile.



Evitare di ruotare l'asta o l'alloggiamento della pompa inferiore quando i manicotti allungabili vengono sbloccati dal momento che potrebbero stringere il cavo all'interno.



Non immergere il prodotto sopra il gancio della botte dell'acqua.



Protezione ingresso scomparto batteria



Protezione ingresso testa pompa



Massima profondità



Marchio di conformità EurAsian



Marchio di conformità europeo



Marchio di conformità britannico



Marchio di conformità ucraino



Non esporre il pacco batteria a pioggia o a condizioni di umidità.

Non smaltire le batterie scariche e altre apparecchiature elettriche ed elettroniche come normali rifiuti.

Le batterie scariche e i dispositivi elettrici ed elettronici dovranno essere raccolti separatamente. Le batterie usate, gli accumulatori e le fonti luminose non più utilizzabili dovranno essere rimossi

dall'apparecchiatura. Consultare il proprio ente locale o rivenditore per consigli sul riciclo e sul punto di raccolta. In base alle normative locali i rivenditori potrebbero avere

l'obbligo di riprendersi le batterie usate e le apparecchiature elettriche ed elettroniche gratuitamente. Il vostro contributo al riciclaggio delle batterie e delle apparecchiature elettriche ed elettroniche aiuta a ridurre la richiesta di materie prime.

Le batterie usate, in particolare quelle che contengono litio e le apparecchiature elettriche ed elettroniche contengono materiali preziosi e riciclabili che potrebbero avere un impatto avverso sull'ambiente e la salute umana, se non smaltiti in un modo ecocompatibile. Eliminare i dati personali, se presenti, dalle apparecchiature da buttare.



SIMBOLI NEL PRESENTE MANUALE



Parti o accessori venduti separatamente



Note



Avvertenze

Bij het ontwerp van uw snoerloze steelpomp hebben veiligheid, prestaties en betrouwbaarheid de hoogste prioriteit gekregen.

VOORGESCHREVEN GEBRUIK

De snoerloze steelpomp is bedoeld om schoon of vuil water uit zwembaden, vijvers, of tanks te pompen. Het product kan worden gebruikt om water afkomstig van overstromingen of overtollig regenwater tijdens overstromingen onder weg te pompen. Het product kan ook worden gebruikt voor irrigatie indien samen gebruikt met de accessoires voor bewatering.

Het product is uitsluitend bedoeld voor huishoudelijk gebruik. Het product kan zowel binnen als buitenshuis worden gebruikt.

Gebruik het product niet voor andere doeleinden.

ALGEMENE VEILIGHEIDSWAARSCHUWINGEN

- Laat kinderen, personen met verminderde fysieke, zintuigelijke of mentale vermogens of een gebrek aan ervaring of kennis of mensen die niet vertrouwd zijn met deze gebruiksaanwijzingen, het product niet gebruiken. Er kunnen plaatselijk leeftijdsbeperkingen gelden voor een gebruiker. Kinderen mogen het product uitsluitend gebruiken onder toezicht en mogen er niet mee spelen.
- Bewaar deze waarschuwingen en voorschriften zorgvuldig om ze ook later te kunnen inzien. Raadpleeg deze regelmatig en gebruik ze om anderen te instrueren die het product kunnen gebruiken. Als u dit apparaat aan iemand uitleent, geef dan deze aanwijzingen erbij om verkeerd gebruik en eventuele verwondingen te voorkomen.
- Houd het werkgebied vrij van omstanders, vooral van kleine kinderen en huisdieren.
- Controleer de machine voor elk gebruik. Controleer op losse bevestigingsonderdelen, brandstoflekkage, enz. Zorg ervoor dat alle beschermers en handvatten goed en veilig zijn vastgemaakt. Vervang alle beschadigde onderdelen voor gebruik. Controleer het accupack op lekken.
- Het apparaat op geen enkele wijze aanpassen of reserveonderdelen gebruiken die niet worden aanbevolen door de fabrikant.
- Gebruik het apparaat niet wanneer u blootsvoets bent, open sandalen of ander lichtvoetig

schoeisel draagt. Draag beschermend schoeisel dat uw voeten beschermt en als antislip werkt op gladde oppervlakken.

- Wees voorzichtig om uitglijden of vallen te voorkomen.
- Steek uw handen niet in de in-/uitgangen van het product terwijl het ingeschakeld is.
- Installeer of gebruik het product niet in een explosieve omgeving of in de buurt van ontvlambare materialen.
- Gebruik het product niet als de schakelaar het niet uitschakelt. Laat de schakelaar vervangen door een erkend servicecentrum.
- Zet het product uit, verwijder de accu en laat het product afkoelen. Zorg ervoor dat alle bewegende delen volledig tot stilstand zijn gekomen:
 - vóór onderhoud
 - voordat u een obstructie verwijdert
 - voor u het product controleert, reinigt of aan het product werkt.
 - voordat u accessoires verwisselt
 - voordat u het product onbewaakt achterlaat
 - tijdens het uitvoeren van onderhoud
- Schakel het apparaat onmiddellijk uit en verwijder de accu in geval van een ongeluk of defect. Gebruik het product niet opnieuw totdat het volledig is gecontroleerd door een erkend onderhoudscentrum.

GEBRUIK EN ONDERHOUD VAN HET ACCU AANGEDREVEN WERKTUIG

- Herlaad enkel met de oplader die door de fabrikant is gespecificeerd. Een oplader die voor een type accupack is geschikt kan een brandgevaar betekenen wanneer het met een ander accupack wordt gebruikt.
- Gebruik alleen accu's die speciaal voor dit product bedoeld zijn. Gebruik van andere accu's kan brand, elektrische schokken of persoonlijk letsel veroorzaken.
- Gebruik geen accu of product dat beschadigd of gemodificeerd is. Beschadigde of gewijzigde accu's kunnen onvoorspelbaar gedrag vertonen en leiden tot brand, explosies, of het risico op letsel.
- Stel een accu of het product niet bloot aan vuur of te hoge temperaturen. Blootstelling aan vuur of extreme temperaturen boven 130°C kan explosies veroorzaken.

- Wanneer het accupack niet wordt gebruikt, moet u het weg houden van andere metalen objecten, zoals papierclips, munten, sleutels, spijkers, schroeven of andere kleine metalen voorwerpen die een verbinding kan maken van een terminal naar een andere. De batterijterminals kortsluiten kan leiden tot brandwonden of brand.
- Bij verkeerd gebruik kan vloeistof uit de batterij lekken. Vermijd huidcontact. Als per ongeluk contact wordt gemaakt, spoel dan met water. Schakel bovendien medische hulp in als er vloeistof in de ogen komt. Uit de accu afkomstige vloeistof kan irritatie of brandwonden veroorzaken.

VEILIGHEIDSWAARSCHUWINGEN BIJ SNOERLOZE STEELPOMP

- Zorg ervoor dat de accu uit het vak verwijderd is, wanneer u het product installeert.
- Dompel het product niet onder boven de watervathaak. Er kan water in de elektronische onderdelen en/of de accu komen, wat kortsluiting, verhoogd brandgevaar en ernstig lichamenlijk letsel tot gevolg kan hebben.
- Zorg ervoor dat het filter stevig vastzit en dat de haak voor de waterton (bij gebruik) goed is bevestigd.
- Controleer of alle verbindingen lekvrij zijn. Gebruik een schroefdraadafdichtingstape of een geschikt afdichtingsmiddel op de schroefdraad van de aansluiting.
- Wanneer u schroefdraadverbindingen vastdraait, oefen dan geen overmatige kracht uit die schade kan veroorzaken.
- Gebruik het product niet voor bijtende, schurende, explosieve of gevaarlijke vloeistoffen. Andere vloeistoffen dan water beschadigen het product, kunnen brandgevaar opleveren en de bediener lichamenlijk letsel toebrengen.
- Gebruik het product niet met drinkwater.
- Gebruik het product niet zonder vloeistof. Laat het product niet drooglopen.
- Gebruik het product niet als er mensen in het water zijn.
- Verwijder de slang niet terwijl het product nog in werking is.
- Verontreiniging van de vloeistof zou kunnen optreden door lekkage van smeermiddelen.
- Door water dat uit het product geloosd wordt, kan de grond nat worden en kan men uitglijden.

Zorg ervoor dat u het geloosde water reinigt nadat u het product gebruikt hebt.

- Loos geen water op plaatsen met elektrische of hoogspanningselementen, actieve chemicaliën, of andere voorwerpen of stoffen die gevaar kunnen opleveren wanneer ze met water vermengd worden.
- Houd het product stevig vast bij de gevormde greep. Draag altijd het polskoord, behalve wanneer de watervathaak wordt gebruikt. Laat het product niet zonder toezicht achter terwijl het in gebruik is. Zorg ervoor dat het product niet kan omvallen.
- Stel de binnenkant van het accuvak niet bloot aan regen of natte omstandigheden. Het product is alleen waterbestendig wanneer het accucompartiment gesloten en vergrendeld is en geen beschadigingen vertoont. Water dat in het product komt, verhoogt het risico op elektrische schokken.

EXTRA WAARSCHUWINGEN BATTERIJVEILIGHEID

Dompel uw accu of oplader nooit onder in vloeistof en laat er nooit vloeistof instromen, zulks om het risico op brand, persoonlijk letsel en productschade door kortsluiting te verminderen. Bijtende of geleidende vloeistoffen, zoals zeewater, bepaalde industriële chemicaliën en bleekmiddelen of chloorhoudende producten, etc., kunnen kortsluiting veroorzaken.

TRANSPORT EN OPSLAG

- Schakel het product uit, verwijder de accu en laat het product afkoelen voordat u het vervoert of opbergt.
- Reinig het product zorgvuldig voordat u het opbergt. Verwijder overtollig water door het product volledig uit te schuiven. Bewaar het product rechtop en volledig uitgeschoven om het water volledig af te voeren. Bewaar het product op een droge, goed geventileerde plaats die voor kinderen ontoegankelijk is. Houd het product uit de buurt van bijtende middelen, zoals tuinchemicaliën en doozouten. Laat het product bij vriesweer niet buiten staan.
- Voor transport beveilig u het product tegen bewegingen of vallen om letsels of schade aan het product te voorkomen.

LITHIUMBATTERIJEN TRANSPORTEREN

Vervoer de accu in overeenstemming met de plaatselijke en nationale bepalingen en voorschriften.

Volg alle speciale voorschriften voor verpakking en etikettering wanneer u accu's door een derde laat vervoeren. Zorg ervoor dat de accu's tijdens het transport niet in contact komen met andere batterijen of geleidende materialen door blootliggende connectoren met isolerende, niet-geleidende doppen of plakband te beschermen. Vervoer geen accu's die gebarsten zijn of lekken. Neem contact op met het expeditiebedrijf voor verder advies.

ONDERHOUD

- Gebruik alleen originele vervangingsonderdelen, accessoires en hulpstukken van de fabrikant. Doet u dat niet, dan kan dat mogelijke verwondingen veroorzaken, bijdragen tot slechte prestaties en kan uw garantie vervallen.
- Het onderhoud vereist uiterste zorgvuldigheid en kennis en mag alleen door een gekwalificeerde onderhoudstechnicus worden uitgevoerd. Het product mag uitsluitend door een erkend servicecentrum worden gerepareerd.
- U kunt de in deze handleiding beschreven afstellingen en reparaties uitvoeren. Voor andere herstellingen of advies, vraagt u hulp in een geautoriseerd onderhoudscentrum.
- Controleer de pomp, de slangen en de waterinlaat regelmatig. Zorg ervoor dat de slangen, waterinlaat en filters vrij zijn van modder, zand en vuil. Controleer op beschadigingen.
- Na elk gebruik, reinigt u het product met een zachte, droge doek. Houd het product droog, schoon en vrij van olie en vet wanneer het niet gebruikt wordt. Elk onderdeel dat beschadigd is, moet naar behoren gerepareerd of vervangen worden door een erkend servicecentrum.
- Maak het filter alleen schoon als de werking merkbaar achteruitgaat.
- Breng het product naar een erkend servicecentrum om beschadigde of onleesbare etiketten te laten vervangen.

KEN UW PRODUCT

Zie pagina 103.

1. Timerknop
2. Aan-/uitknop
3. Accuklep
4. Knipsluiting
5. Indicatielampjes timer
6. Led-werkverlichting
7. Voorgevormde greep
8. Waterafvoer
9. Polsband
10. Haak waterton
11. Geribbelde afvoerslang
12. G3/4-adapter
13. G3/4-connector
14. Uitlaatadapter voor geribbelde afvoerslang
15. Draaivergrendelingen voor hoogtaafstelling
16. Modderfilter
17. Gebruikershandleiding
18. Vuilfilter
19. Accu
20. Oplader
21. Tuinslang

SYMBOLEN OP HET PRODUCT



Verwijder de accu voordat u werkzaamheden aan het product uitvoert.



Waarschuwing
Gelieve de instructies zorgvuldig te lezen voordat u de machine in gebruik neemt.



Vermijd het verdraaien van de paal of de onderste pompbehuizing wanneer de verlengkragen ontgrendeld zijn, want dan zou de kabel binnenin vast kunnen komen te zitten.



Dompel het product niet onder boven de watervathaak.



IPX5

Bescherming tegen binnendringen in het accucompartiment



IPX8

Bescherming tegen binnendringen in de pompkop



1.2m

Maximale gebruiksdiepte



EurAsian-symbool van
overeenstemming



CE-markering



Brits conformiteitskeurmerk



Oekraïens conformiteitskeurmerk



Stel de accu niet bloot aan regen
of een natte omgeving.

Gooi afgedankte elektrische
en elektronische apparatuur
niet weg als ongesorteerd
gemeentelijk afval. Afgedankte
elektrische en elektronische
apparatuur moet afzonderlijk
worden ingezameld.

Afvalbatterijen, afvalaccu's
en lichtbronnen moeten uit de
apparatuur worden verwijderd.
Neem contact op met uw
gemeente of winkelier voor
recyclingadvies en inzamelpunt.

Volgens de plaatselijke
voorschriften kunnen winkeliers
verplicht zijn afgedankte
elektrische en elektronische
apparatuur kosteloos terug
te nemen. Uw bijdrage aan
hergebruik en recycling van
afgedankte batterijen en
afgedankte elektrische en
elektronische apparatuur helpt
de vraag naar grondstoffen
te verminderen. Afgedankte
batterijen, in het bijzonder
deze die lithium bevatten,
en afgedankte elektrische
en elektronische apparatuur
bevatten waardevolle en
recycleerbare materialen, die
een negatief effect kunnen
hebben op het milieu en de
volksgezondheid, indien ze niet
op een milieuvriendelijke manier
worden verwijderd. Verwijder
eventuele persoonlijke gegevens
van afgedankte apparatuur.



SYMBOLEN IN DEZE GEBRUIKSAANWIJZING



Onderdelen of accessoires
worden apart verkocht



Opmerking



Waarschuwing

No design da sua bomba telescópica sem fios, demos prioridade à segurança, ao desempenho e à fiabilidade.

USO PREVISTO

A bomba telescópica sem fios foi concebida para transferir água limpa ou suja de lagos, piscinas ou tanques. O produto pode ser utilizado para drenar água de cheias ou o excesso de águas pluviais durante cheias. O produto também pode ser utilizado para irrigar quando combinado com acessórios de rega.

O produto destina-se exclusivamente a uso doméstico. O produto pode ser utilizado em espaços interiores e exteriores.

Não a use para nenhuma outra finalidade.

AVISOS GERAIS DE SEGURANÇA

- Nunca deixe que o aparelho seja utilizado por crianças, pessoas com capacidade física, sensorial ou mental reduzida, pessoas sem experiência nem conhecimentos nem pessoas que não estejam familiarizadas com estas instruções. A legislação local pode restringir a idade do operador. As crianças devem ser mantidas sob vigilância adequada para se garantir que não brincam com o produto.
- Conserve estas advertências e instruções para que possa consultá-las mais tarde. Consulte frequentemente e utilize para instruir outras pessoas que possam utilizar o produto. Se emprestar o produto ferramenta a outra pessoa, empreste-lhe também estas instruções, para evitar a utilização incorreta do produto e possíveis ferimentos.
- Mantenha a área de utilização livre de pessoas, em particular, crianças e animais de estimação.
- Inspeccione a máquina antes de cada uso. Verifique os fechos soltos, as fugas de combustível, etc. Assegure-se de que todas as proteções e cabos estão unidos de forma correcta e segura. Substitua qualquer peça danificada antes da utilização. Verifique se existem fugas na bateria.
- Não modifique a máquina em qualquer forma nem use peças e acessórios que não sejam recomendados pelo fabricante.
- Não utilize o produto descalço, com sandálias abertas ou com calçado leve similar. Use calçado de protecção que

proteja os pés e aumente a aderências em superfícies escorregadias.

- Tenha cuidado, para evitar escorregar ou cair.
- Evite introduzir as mãos nas entradas/saídas do produto enquanto estiver ligado.
- Não instalar nem utilizar o produto num ambiente explosivo ou perto de materiais inflamáveis.
- Não utilize o produto se o interruptor não o desligar. Solicite a substituição do interruptor numa centro de assistência autorizado.
- Desligue o produto, retire a bateria e permita que o produto arrefeça. Certifique-se de que todas as peças em movimento pararam completamente:
 - antes de fazer reparações ou manutenção
 - antes de desobstruir bloqueios
 - antes de verificar, limpar ou funcionar com o produto
 - antes de substituir acessórios
 - antes de deixar o produto desacompanhado
 - sempre que fizer manutenção
- Em caso de acidente ou avaria, desligue de imediato e retire a bateria. Não volte a operar o produto enquanto não tiver sido totalmente verificado por um centro de assistência autorizado.

UTILIZAÇÃO E MANUTENÇÃO DA BATERIA

- Recarregue apenas com o carregador especificado pelo fabricante. Um carregador que seja adequado para um tipo de bateria pode causar risco de incêndio, quando utilizado com outra bateria.
- Utilize apenas unidades de bateria destinadas especificamente ao produto. O uso de qualquer outra bateria pode resultar num risco de incêndio, choque eléctrico ou danos corporais.
- Não use uma unidade de bateria ou um produto que tenha sofrido danos ou modificações. Baterias danificadas ou modificadas podem ter um comportamento imprevisível, resultando em incêndio, explosão ou risco de ferimentos.
- Não exponha uma unidade de bateria ou o produto ao fogo ou a temperaturas excessivas. A exposição ao fogo ou a temperaturas excessivas (acima de 130 °C) pode causar uma explosão.

- Quando a bateria não estiver a ser utilizada, mantenha-a afastada de outros objectos metálicos como cliques de papel, moedas, chaves, pregos, parafusos, ou outros pequenos objectos metálicos que podem fazer a ligação de um terminal para outro. Ligar os terminais da bateria em conjunto pode causar queimaduras ou um incêndio.
- Sob condições de utilização abusiva, existe o risco de derrame de líquido da bateria. Evite o contacto. Se o contacto ocorrer acidentalmente, limpe com água abundante. Se o líquido entrar em contacto com os olhos, procure adicionalmente assistência médica. O líquido ejectado da bateria pode causar irritação ou queimaduras.

AVISOS DE SEGURANÇA DA BOMBA TELESCÓPICA SEM FIOS

- Certifique-se de que a unidade da bateria é removida da respetiva caixa ao instalar o produto.
- Não submerja o produto acima do gancho do cilindro da água. A água poderá entrar nos componentes eletrónicos e/ou unidade da bateria, o que pode resultar num curto-circuito, risco de incêndio aumentado e ferimentos pessoais graves.
- Certifique-se de que o filtro está bem seguro e que o gancho do cilindro de água está fixado (se pretender utilizá-lo).
- Certifique-se de que não existem quaisquer fugas nas ligações. Utilize uma vedante de roscar ou um selante adequado na rosca de ligação.
- Ao apertar ligações roscadas, não aplique força excessiva que possa provocar danos.
- Não utilize o produto para líquidos corrosivos, abrasivos, explosivos ou perigosos. A utilização de fluidos além da água pode criar um perigo de incêndio e poderá provocar danos físicos no operador.
- Não utilize o produto com água potável.
- Não utilize o produto sem quaisquer líquidos. Não utilize o produto em seco.
- Não utilize o produto se existirem pessoas dentro de água.
- Não retire a mangueira se o produto ainda estiver em funcionamento.
- Poderá ocorrer poluição por líquido caso ocorram fugas de lubrificantes.

- A água descarregada do produto pode molhar o solo, tornando-o escorregadio. Certifique-se de que limpa a água descarregada após a utilização do produto.
- Não descarregue a água em áreas com elementos elétricos ou de alta tensão ou outros objetos ou substâncias que possam provocar perigos em contacto com a água.
- Segure no produto com segurança onde houver uma pega sobremoldada. Use sempre a fita de pulso exceto quando utilizar o gancho do cilindro. Não deixe o produto sem supervisão durante a utilização. Certifique-se de que o produto não pode tombar.
- Não exponha o interior do compartimento da bateria à chuva ou humidade. O produto só é resistente à água se o compartimento da bateria estiver fechado, trancado e sem danos. A entrada de água no produto aumenta o risco de choque elétrico.

AVISOS DE SEGURANÇA ADICIONAIS DAS BATERIAS

Para reduzir o risco de incêndio, ferimentos pessoais e danos ao produto causados por curto-circuito, nunca coloque o produto, o conjunto de baterias ou o carregador dentro de qualquer líquido, nem deixe que sejam penetrados por qualquer líquido! Líquidos corrosivos ou condutivos como água salgada, determinadas substâncias químicas e produtos que contenham branqueadores podem causar um curto-circuito.

TRANSPORTE E ARMAZENAMENTO

- Desligue o produto, retire sempre a bateria e permita que o produto arrefeça antes de transportá-lo ou arrumá-lo.
- Antes de armazenar o produto, limpe-o completamente. Retire qualquer excesso de água estendendo completamente o produto. Guarde o produto na vertical e totalmente estendido para escorrer a água por completo. Guarde o produto numa área seca e bem ventilada em que o acesso de crianças seja interdito. Mantenha o produto afastado de agentes corrosivos tais como produtos químicos de jardim e sais de remoção de gelo. Não deixe o produto ao ar livre se existir a possibilidade de congelamento.

- Para o transporte, segure o produto para não se mover nem cair e evitar assim lesionar alguém ou danificar o produto.

TRANSPORTE DE BATERIAS DE LÍTIO

Transporte as baterias em conformidade com as disposições e regulamentos locais e nacionais.

Siga todos os requisitos especiais na embalagem e rótulos ao transportar baterias por um terceiro. Certifique-se de que nenhuma bateria pode entrar em contato com outras baterias ou materiais condutores durante o transporte protegendo os conectores expostos com tampas ou fita isoladora e não condutora. Não transporte baterias que estejam rachadas ou com fugas. Confirme com a empresa de envio para mais conselhos.

MANUTENÇÃO

- Utilize apenas peças de substituição, acessórios e encaixes do fabricante original. A inobservância desta indicação pode causar um fraco desempenho, possíveis lesões e poderá anular a sua garantia.
- Os serviços de manutenção requerem extremo cuidado e conhecimentos e devem apenas ser realizado por um técnico de assistência qualificado. Repare o seu produto exclusivamente num centro de assistência autorizado.
- Pode realizar os ajustes e reparações descritos neste manual do utilizador. Para outros reparos ou conselhos, procurar a ajuda de um centro de serviço autorizado.
- Inspeccione regularmente a bomba, as mangueiras, a entrada de água e os filtros. Certifique-se de que as mangueiras, a entrada de água e os filtros não têm lama, areia nem resíduos. Certifique-se de que não existem danos.
- Limpar o produto com um pano suave seco depois de cada uso. Mantenha o produto seco, limpo e livre de quaisquer vestígios de óleos e massas lubrificantes quando não estiver em utilização. Qualquer peça danificada deve ser substituída ou reparada adequadamente por um centro de serviço autorizado.
- Limpe o filtro apenas se identificar uma redução de funcionalidade notória.
- Leve o produto a um centro de serviço autorizado para substituir as etiquetas danificadas ou ilegíveis.

CONHEÇA O SEU APARELHO

Ver a página 103.

1. Botão do temporizador
2. Botão de ligar/desligar
3. Tapa da bateria
4. Lingueta
5. Luzes do temporizador
6. Luzes de trabalho LED
7. Pega sobremoldada
8. Saída de água
9. Fita de pulso
10. Gancho do cilindro de água
11. Mangueira de descarga estriada
12. Adaptador G3/4
13. Conector G3/4
14. Adaptador de saída para a mangueira de descarga estriada
15. Bloqueios rotativos de ajuste da altura
16. Filtro de lama
17. Manual do operador
18. Filtro de resíduos
19. Bateria
20. Carregador
21. Mangueira de jardim

SÍMBOLOS NO PRODUTO



Antes de fazer quaisquer trabalhos de manutenção ou limpeza ao produto, desmonte o conjunto de baterias.



Aviso
Agradecemos que leia atentamente as instruções antes de iniciar a máquina.



Evite torcer a haste ou o compartimento da bomba inferior se estiverem instalados anéis de extensão, pois pode torcer o cabo no interior.



Não submerja o produto acima do gancho do cilindro da água.



Proteção contra entrada do compartimento da bateria



Proteção contra entrada da cabeça da bomba



Profundidade máxima de funcionamento



Marca de conformidade EurAsian



Marca europeia de conformidade



Marca britânica de conformidade



Marca ucraniana de conformidade



Não exponha a unidade de bateria à chuva ou condições de humidade.

Não elimine baterias, pilhas, equipamentos elétricos e eletrônicos juntamente com resíduos municipais não separados. Os resíduos de baterias, pilhas e equipamentos elétricos e eletrônicos devem ser recolhidos separadamente. Os resíduos de acumulares de baterias, pilhas e fontes de luz têm de ser retirados do equipamento. Para mais informações sobre pontos de recolha para reciclagem, contacte as suas autoridades locais ou o seu revendedor. De acordo com os regulamentos locais, os retalhistas têm a obrigação de receber os resíduos de baterias, pilhas e equipamentos elétricos e eletrônicos livres de encargos. O seu contributo para reutilizar e reciclar os resíduos de equipamentos elétricos e eletrônicos ajuda a reduzir a procura de matérias-primas. As baterias e pilhas usadas, em particular, contêm lítio e os resíduos de equipamentos elétricos e eletrônicos contêm materiais recicláveis preciosos, que podem afetar negativamente o meio ambiente e a saúde humana se não forem eliminados de uma forma ambientalmente compatível. Elimine os dados pessoais dos equipamentos, se existirem.



SÍMBOLOS NESTE MANUAL



As peças ou acessórios vendem-se separadamente



Nota



Aviso

Sikkerhed, ydeevne og pålidelighed er blevet givet topprioritet i designet af din trådløse stavpumpe.

TILTÆNKT ANVENDELSESFORMÅL

Den trådløse stavpumpe er beregnet til at overføre enten rent eller snavset vand fra pools, damme eller tanke. Produktet bruges til at dræne vand ved oversvømmelse eller kontrollere store mængder regnvand under oversvømmelser. Produktet kan også bruges til kunstvanding, når det er parret med vandingstilbehør.

Produktet er kun beregnet til hjemme- eller husholdningsbrug. Produktet kan bruges indendørs eller udendørs.

Må ikke bruges til andre formål.

GENERELLE SIKKERHEDSADVARSLER

- Produktet må aldrig benyttes af børn, personer med begrænsede fysiske, sensoriske eller mentale evner eller manglende erfaring og viden, eller af folk, der ikke er fortrolige med denne brugsanvisning. Lokale love kan have indflydelse på den tilladte brugerage. Børn bør holdes under tilstrækkeligt opsyn, så man er sikker på, at de ikke leger med produktet.
- Gem vejledningen med advarsler og anvisninger til senere opslag. Læs dem ofte, og brug dem til at instruere andre, der måske skal bruge produktet. Hvis du udlåner produktet til andre, skal du også låne dem disse instruktioner for herved at forhindre forkert brug af produktet og eventuel tilskadekomst.
- Hold alle personer væk fra operationsområdet, især små børn og kæledyr.
- Husk altid at inspicere maskinen inden brug. Kontrollér for løse fastgørelseselementer, brændstoftækkage, mv. Kontrollér, at alle skærme, og håndtag er fastgjort ordentligt og sikkert. Udskift evt. beskadigede dele inden brug. Kontrollér for batterilækager.
- Undgå at ændre ved maskinen på nogen som helst måde eller at bruge dele og tilbehør, som ikke anbefales af producenten.
- Betjen ikke produktet med bare tæer eller ved brug af åbne sandaler eller lignende let fodtøj. Anvend skridsikre beskyttelsessko, der kan beskytte dine fødder og lader dig stå fast på glatte overflader.
- Vær forsigtig for ikke at glide eller falde.
- Undgå at føre hænderne ind i produktets indløb/udløb, mens det er tændt.

- Installer eller betjen ikke produktet i et eksplosivt miljø eller i nærheden af brændbare materialer.
- Anvend ikke produktet, hvis knappen ikke slukker det. Lad et autoriseret serviceværksted udskifte knappen.
- Sluk for produktet, fjern batteriet og lad produktet køle af. Kontrollér, at alle bevægelige dele er standset fuldstændigt:
 - før betjening
 - før rydning af en blokering
 - inden kontrol, rengøring eller arbejde på produktet
 - før der skiftes tilbehør
 - før du går fra produktet
 - under vedligeholdelse
- Sluk med det samme, og fjern batteripakken i tilfælde af en ulykke eller et nedbrud. Betjen ikke produktet igen, før det er blevet kontrolleret fuldstændigt af et godkendt servicecenter.

BRUG OG PLEJE AF BATTERIVÆRKTØJ

- Opladning må kun finde sted med den af producenten foreskrevne oplader. En oplader, der er beregnet til én type batteri, kan udgøre en brandrisiko, hvis den bruges til en anden batteritype.
- Brug kun batterier, der er specielt beregnet til produktet. Brug af andre batterier kan medføre fare for brand, elektrisk stød eller personskader.
- Brug ikke et batteri eller et produkt, der er beskadiget eller modificeret. Beskadigede eller modificerede batterier kan være ustabile, hvilket kan medføre brand, eksplosion eller personskade.
- Udsæt ikke et batteri eller et produkt for åben ild eller høje temperaturer. Hvis batterier eller værktøj udsættes for temperaturer over 130 °C, kan det medføre eksplosion.
- Når batteriet ikke bruges, må det ikke opbevares sammen med metalgenstande som fx papirclips, mønter, nøgler, søm, skruer eller andre metalgenstande, som kan skabe forbindelse mellem batteriets poler. Hvis batteriets poler kortsluttes, kan det forårsage forbrændinger eller ildebrand.
- Væske kan sprøjte ud fra batteriet ved misbrug af produktet. Undgå kontakt. Ved kontakt med batterivæsken skylles der med vand. Hvis der kommer væske i øjnene, kontaktes læge straks. Udsprøjtet batterivæske kan forårsage irritation eller forbrændinger.

SIKKERHEDSADVARSLER FOR TRÅDLØS STAVPUMPE

- Sørg for, at batteriet er fjernet fra batterikassen, når du installerer produktet.
- Nedsæk ikke produktet i vandet over tøndekrogen. Vand kan trænge ind i de elektroniske komponenter og/eller i batteriet, hvilket kan resultere i en kortslutning, øget risiko for brand og alvorlig personskade.
- Sørg for, at filteret er fastgjort, og at vandtøndekrogen er fastgjort, hvis den skal bruges.
- Sørg for, at alle tilslutninger er lækagefri. Brug en gevindforsglingsstape eller et egnet tætningsmiddel på forbindelsesgevindet.
- Ved stramning af gevindtilslutninger må der ikke påføres for stor kraft, da det kan forårsage skade.
- Brug ikke produktet til ætsende, slibende, eksplosive eller farlige væsker. Alle andre væsker end vand kan beskadige produktet, udgøre en brandfare og kan forårsage fysisk skade på operatøren.
- Produktet må ikke anvendes til drikkevand
- Betjen ikke produktet uden væske. Produktet må ikke løbe tørt.
- Brug ikke produktet, når folk er i vandet.
- Fjern ikke slangen, mens produktet stadig er i drift.
- Der kan opstå forurening af væsken på grund af lækage af smøremidler.
- Vand, der udledes fra produktet, kan forårsage, at jorden bliver våd, og at folk glider. Sørg for at rengøre det udledte vand efter betjening af produktet.
- Udled ikke vand til områder med elektriske eller højspændingselementer, aktive kemikalier eller andre genstande eller stoffer, der kan forårsage fare, når de blandes med vand.
- Hold godt fast i produktet, hvor der er et overformet greb. Bær altid håndledssnoen, undtagen når tøndekrogen anvendes. Lad ikke produktet være uden opsyn, mens det er i brug. Sørg for, at produktet ikke kan vælte.
- Udsæt ikke en indvendige del af batterirummet for regn eller våde forhold. Produktet er kun vandtæt, når batterirummet er lukket, låst og uden skader. Vand, der trænger ind i produktet, vil øge risikoen for elektrisk stød.

YDERLIGERE SIKKERHEDSADVARSLER OM BATTERI

For at nedsætte risikoen for brand, personskade og produktbeskadigelse på grund af kortslutning må produktet, batteripakken eller opladeren aldrig

nedsænkes i en væske, ligesom væsker ikke må flyde ind i dem. Sørg ligeledes for, at der ikke trænger væske ind i enhederne og batterierne. Korroderende eller ledende væsker, f.eks. saltvand, bestemte kemikalier, blegestoffer eller produkter, som indeholder blegemidler, kan forårsage kortslutning.

TRANSPORT OG OPBEVARING

- Sluk for produktet, og fjern batteripakken, og lad det afkøle inden det opbevares eller transporteres.
- Gør produktet grundigt rent før opbevaring. Fjern overskydende vand ved helt at udvide produktet. Opbevar produktet oprejst og helt udvidet for at tømme det fuldstændigt for vand. Opbevar produktet på et tørt, godt ventileret sted, der er utilgængeligt for børn. Sørg for, at produktet ikke kommer i nærheden af korrosive stoffer såsom havekemikalier og strøsalt. Efterlad ikke produktet udenfor i frost.
- Til transport skal man sikre produktet, så den ikke kan bevæge sig eller vælte; dette for at forebygge personskader eller skader på produktet.

TRANSPORT AF LITHIUM-BATTERIER

Batterier skal transporteres i henhold til lokale og nationale forskrifter og love.

Når batterier skal transporteres af tredjepart, skal alle specielle krav til emballering og mærkning overholdes. Man skal sikre sig, at ingen batterier under transporten kan komme i kontakt med andre batterier eller ledende materialer ved at beskytte blottede konnektorer med isolerende, ikke-ledende hætter eller tape. Undlad at transportere batterier med revner eller utætheder. Rådfør dig desuden med speditøren.

VEDLIGEHOLDELSE

- Brug kun originale reservedele, ekstraudstyr og tilbehør fra producenten. I modsat fald er der fare for personskader, dårlig maskinydelse og annullering af garantien.
- Vedligeholdelse kræver stor omhyggelighed og viden og bør kun udføres af en kvalificeret tekniker. Lad kun et autoriseret serviceværksted servicere produktet.
- Du kan lave justeringer og reparationer beskrevet i denne brugervejledning. For andre reparationer eller råd skal man søge assistance på et autoriseret servicecenter.
- Undersøg periodisk pumpe, slange, vandindløb og filtre. Kontroller, at slanger, vandindløb og filtre er fri for mudder, sand og affald. Kontroller, at der ikke er skader.
- Produktet skal rengøres med en blød klud efter hver brug. Hold produktet tørt, rent og frit for

olie og fedt, når det ikke anvendes. Enhver del, som bliver beskadiget, skal repareres korrekt eller udskiftes hos et autoriseret servicecenter.

- Rengør kun filteret, når der er et mærkbart fald i funktionaliteten.
- Indlevér produktet hos et autoriseret servicecenter for at få udskiftet beskadigede eller ulæselige mærkater.

KEND PRODUKTET

Se side 103.

1. Timerknap
2. Tænd/Sluk-knap
3. Batteridæksel
4. Låsemekanisme
5. Timerens indikatorlys
6. LED-arbejdslys
7. Overformet greb
8. Vandudløb
9. Håndledsline
10. Vandtøndekrog
11. Bølgeafløbsrør
12. G3/4-adapter
13. G3/4 stik
14. Afløbsadapter til bølgerør
15. Drejelåse til højdejustering
16. Mudfilter
17. Brugsanvisning
18. Snavsfilter
19. Batteri
20. Oplader
21. Haveslange

SYMBOLER PÅ PRODUKTET



Aftag batterisættet før der eventuelt udføres arbejde på produktet.



Sikkerheds Varsel
Læs venligst vejledningen grundigt igennem før maskinen tages i brug.



Undgå at dreje stangen eller den nederste del af pumpehuset, når forlængerkraver er åbne, da dette kan fastsætte kablet indeni.



Nedsænk ikke produktet i vandet over tøndekrogen.



IPX5 Indtrængningsbeskyttelse til batterirum



IPX8 Indtrængningsbeskyttelse til pumpehovedet



1,2m Maksimal driftsdybde



EurAsian
overensstemmelsesmærke



Europæisk
overensstemmelsesmærkning



Britisk
overensstemmelsesmærkning



Ukrainsk
overensstemmelsesmærkning



Udsæt ikke batteriet for regn eller fugtige forhold.

Bortskaf ikke brugte batterier, elektriske dele og elektronisk udstyr som usorteret kommunalt affald. Brugte batterier, kasserede elektriske dele og elektronisk udstyr skal indsamles separat. Brugte batterier, affaldsakkumulatorer og lyskilder skal fjernes fra udstyret. Forhør dig hos de lokale myndigheder eller forhandler for genbrugsråd og indsamlings steder. Ifølge lokale bestemmelser er detailhandlere måske forpligtede til gratis at tage kasserede batterier, elektriske dele og elektronisk udstyr retur til bortskaffelse. Dit bidrag til genbrug og genanvendelse af brugte batterier, kasserede elektriske dele og elektronisk udstyr bidrager til at reducere efterspørgslen efter råmaterialer. Kasserede batterier, navnlig indeholdende lithium, og kasserede elektriske dele og elektronisk udstyr indeholder værdifulde og genanvendelige materialer, som kan have en negativ indvirkning på miljøet og menneskers sundhed, hvis det ikke bortskaffes på en miljøvenlig måde. Slet persondata fra eventuelt kasseret udstyr.



SYMBOLER I DENNE BRUGSANVISNING



Dele eller tilbehør, der sælges separat



Bemærk



Advarsel

Säkerhet, prestanda och pålitlighet har fått högsta prioritet vid utformningen av din sladdlösa skaftpump.

ANVÄNDNINGSSOMRÅDE

Den sladdlösa skaftpumpen är avsedd att pumpa ut vatten, rent såväl som smutsigt, från dammar, pooler och tankar. Produkten används också för att dränera översvämningar eller för mycket regnvatten vid översvämningar. Produkten kan också, i kombination med bevattningstillbehör, användas för bevattning.

Produkten är avsedd för hemma- och hushållsbruk. Produkten får användas inom- och utomhus.

Får ej användas för annat ändamål.

ALLMÄNNA SÄKERHETSFÖRESKRIFTER

- Se till att barn eller personer med nedsatt fysisk eller psykisk förmåga, eller personer som inte är erfarna eller inte bekanta med dessa instruktioner aldrig använder produkten. Lokala regler kan åldersbegränsa användningen av gräsklipparen. Barn ska alltid övervakas så att de inte leker med produkten.
- Spara dessa varningar och instruktioner för senare behov. Läs dem ofta och använd dem för att instruera andra som kan använda produkten. Om du lånar ut produkten, låna också ut de här anvisningarna för att förhindra att produkten används felaktigt och orsakar olycksfall.
- Håll arbetsområdet fritt från andra, särskilt små barn och husdjur.
- Se över maskinen inför varje användning. Kontrollera lösa fästen, bränsleläckage och liknande. Se till att alla skydd och handtag sitter fast ordentligt. Byt ut eventuella skadade delar före användning. Kontrollera läckor från batteriet.
- Modifiera inte maskinen på något sätt och använd inte delar eller tillbehör som inte rekommenderats av tillverkaren.
- Använd inte produkten när du är barfota eller om du bär sandaler eller liknande lätta skor. Använd skyddsskor som skyddar dina fötter och förbättrar ditt fotgrepp på hala ytor.
- Var försiktig så att du inte halkar eller faller.
- Undvik att föra in händerna i produktens inlopp/utlopp medan den är påslagen.
- Installera inte och använd inte produkten där det finns risk för explosion eller i närheten av lättantändligt material.

- Använd inte produkten om strömknappen "av" inte stänger av produkten. Strömknappen ska bytas ut av ett auktoriserat servicecenter.
- Stäng av produkten, ta ur batteriet och låt produkten svalna. Se till att samtliga rörliga delar har stannat helt:
 - före service
 - före rensning av en blockering
 - före kontroll av, rengöring av eller arbete med produkten
 - före byte av tillbehör
 - innan produkten lämnas utan uppsikt
 - alltid när underhåll utförs
- Stäng omedelbart av produkten och plocka ur batteripaketet vid olycksfall eller fel. Använd inte produkten igen innan den har kontrollerats i sin helhet av en auktoriserad serviceverkstad.

ANVÄNDNING OCH UNDERHÅLL AV BATTERIET

- Använd endast den batteriladdare som tillverkaren rekommenderar. En batteriladdare som passar en typ av batteripack kan vara en brandfara om den används med en annan typ av batteripack.
- Använd endast batterier som är avsedda för produkten. Om du använder några andra batteripaket så kan det leda till brand, elektriska stötar eller personsador.
- Använd inte ett batteri eller en produkt som är skadad eller modifierad. Skadade eller modifierade batterier kan bete sig oförutsägbart, vilket kan leda till brand, explosion eller risk för olycksfall.
- Utsätt inte batteriet eller produkten för eld eller mycket hög temperatur. Exponering för eld eller mycket höga temperaturer över 130 °C kan orsaka explosion.
- När batteripaketet inte används ska det hållas bort från metallföremål som gem, mynt, nycklar, spikar, skruvar och andra små metallföremål som kan kortsluta batteriets kontakter. Vid kortslutning av batteriets kontakter finns det risk för brännskador eller brand.
- Vid missbruk kan vätska tränga ut ur batteriet. Undvik kontakt. Spola med vatten om du kommer i kontakt med den. Uppsök omedelbart läkarhjälp om du får vätska i ögonen. Den kan orsaka irritation och brännskador.

SÄKERHETSVARNINGAR FÖR SLADDLÖS SKAFTPUMP

- Batteriet måste tas ur batteribehållaren när du installerar produkten.
- Sänk inte ner produkten ovanför vattencylinderns krok. Vatten kan tränga in i de elektroniska komponenterna och/eller batteriet, och orsaka i kortslutning, ökad risk för brand och allvarlig personskada.
- Kontrollera att filtret sitter säkert, och om vattencylindern ska användas den är fastsatt.
- Kontrollera att alla anslutningar är läckagefria. Använd gängtejp eller ett lämpligt tätningemedel på anslutningsgången.
- Vid åtdragning av gängade anslutningar, använd inte för mycket kraft, det kan orsaka skada.
- Använd inte produkten för korrosiva, slipande, explosiva eller farliga vätskor. Andra vätskor än vatten kan skada produkten, orsaka brandrisk och orsaka fysisk skada på operatören.
- Rengör inte produkten med portabelt vatten.
- Använd inte produkten utan vätska. Låt inte produkten köras torr.
- Använd inte produkten när personer befinner sig i vattnet.
- Ta inte bort slangen så länge produkten är i gång.
- Vätskan kan förorenas av läckande smörjmedel.
- Vatten från produkten kan göra att marken blir våt och kan orsaka halkning. Var noga med att rengöra det uttömda vattnet efter användning av produkten.
- Töm inte ut vatten i områden med el- eller högspänningselement, aktiva kemikalier eller andra föremål eller ämnen som kan orsaka fara när de blandas med vatten.
- Håll produkten stadigt i det greppvänliga handtaget. Använd alltid handledsbandet utom när cylinderkroken används. Lämna inte produkten utan uppsikt när den är igång. Säkerställ att produkten inte kan välta.
- Utsätt inte batterifackets insida för regn eller fuktiga miljöer. Produkten är endast vattentålig när batterifacket är stängt, låst och oskadat. Om vatten tränger in i produkten ökar risken för elektriska stötar.

YTTERLIGARE SÄKERHETSVARNINGAR FÖR BATTERIER

För att minska risken för brand, personskador och produktskador på grund av kortslutning, sänk aldrig ner produkten, batteripaketet eller laddaren i vätska och låt inte vätska tränga in i dem. Korroderande eller ledande vätskor, som saltvatten, vissa kemikalier, blekningsmedel eller produkter som innehåller blekmedel, kan orsaka en kortslutning.

TRANSPORT OCH FÖRVARING

- Stäng av produkten, ta ur batteripaketet och låt produkten svalna innan den förvaras eller transporteras.
- Rengör produkten grundligt före förvaring. Ta bort eventuellt överflödigt vatten genom att helt dra ut produkten. Förvara produkten upprätt och helt utdragen för att helt tömma den på vatten. Förvara produkten på en torr, välventilerad plats som är otillgänglig för barn. Håll produkten borta från frätande ämnen, såsom trädgårdskemikalier och vägsalt. Lämna inte produkten utomhus i minusgrader.
- Vid transport ska produkten säkras mot rörelser eller fallande för att förhindra personskador eller att produkten skadas.

TRANSPORTERA LITIUMBATTERIER

Transportera batterier enligt lokala och nationella riktlinjer och föreskrifter.

Följ alla särskilda krav på förpackning och etikettering vid transport av batterier som utförs av tredje part. Se till att inga batterier kan komma i kontakt med andra batterier eller ledande material under transporten genom att skydda exponerade kontaktytor med isolerande, icke ledande överdrag eller tejp. Transportera aldrig batterier som har spruckit eller som läcker. Kontrollera med det transporterande företaget för vidare rådgivning.

UNDERHÅLL

- Använd enbart reservdelar och tillbehör från tillverkaren. Om inte kan det eventuellt orsaka skador, sämre resultat och kan upphäva garantin.
- Att serva produkten kräver extrem försiktighet och kunskap och bör endast

utföras av en kvalificerad servicetekniker. Produkten får endast repareras på ett auktoriserat servicecenter.

- Du kan göra de justeringar och reparationer som beskrivs i den här manualen. För andra reparationer eller för råd ska du alltid vända till auktoriserat servicecenter.
- Inspektera pumpen, slangarna, vatteninloppet och filtren regelbundet. Kontrollera att slangar, vatteninlopp och filter är fria från lera, sand och skräp. Säkerställ att det inte finns några skador.
- Efter rengöring ska maskinen alltid rengöras med en mjuk torr trasa. Håll produkten torr, ren och fri från olja och fett när den inte används. Skadade delar skall repareras ordentligt eller bytas ut av en auktoriserad servicefirma.
- Rengör filtret endast när det finns en märkbar försämring av funktionaliteten.
- Lämna produkten till auktoriserat servicecenter för utbyte av skadade eller oläsbara etiketter.

LÄR KÄNNA PRODUKTEN

Se sida 103.

1. Timerknapp
2. På/av-brytare
3. Batterihölje
4. Regel
5. Indikatorlampor för timern
6. Arbetsbelysning, LED
7. Greppvänligt och stabilt handtag
8. Vattenuutlopp
9. Handledsrem
10. Vattencylinderkrok
11. Korrugerad avloppsslang
12. G3/4-adapter
13. Anslutning G3/4
14. Avloppsadapter för korrugerad slang
15. Vridlås för höjjustering
16. Lerfilter
17. Bruksanvisning
18. Skräpfilter
19. Batteri
20. Batteriladdare
21. Trädgårdsslang

SYMBOLER PÅ PRODUKTEN



Ta bort batteripaketet innan du påbörjar arbete på produkten.



Säkerhetsvarning
Läs instruktionerna ordentligt innan start av maskinen.



Undvik att vrida skafet eller det nedre pumphöljet när förlängningskragar låses upp, eftersom kabeln kan fastna.



Sänk inte ner produkten ovanför vattencylinderns krok.



IPX5

Skydd mot inträngning i batterifacket



IPX8

Inträngningsskydd för mekanismen i pumphuvudet



1.2m

Max arbetsdjup



EurAsian
överensstämmelsesymbol



CE-märkning



Brittisk CE-märkning



Ukrainsk CE-märkning



Utsätt inte batteripaketet för regn eller fuktiga miljöer.

Kassera inte uttjänta batterier, elavfall och elektronisk utrustning som restavfall. Uttjänta batterier, elavfall och elektronisk utrustning måste samlas in separat. Uttjänta batterier, uttjänta ackumulatörer och ljuskällor måste avlägsnas från utrustningen. Hör med din lokala myndighet eller din återförsäljare om råd för återvinning och insamlingsstation. Beroende på lokala bestämmelser kan återförsäljare vara skyldiga att kostnadsfritt ta tillbaka uttjänta batterier samt elektriskt och elektroniskt avfall. Ditt bidrag till återanvändning och återvinning av uttjänta batterier samt elektriskt och elektroniskt avfall bidrar till att minska behovet av råmaterial. Uttjänta batterier, särskilt litiumbatterier, samt elavfall och elektronisk utrustning innehåller värdefulla och återvinningsbara material som kan påverka miljön och människors hälsa negativt, om de inte kasseras på ett miljömässigt sätt. Radera eventuella personuppgifter från avfallsutrustningen.



SYMBOLER I MANUALEN



Delar och utrustning säljs separat



OBS



Varning

Turvallisuus, tehokkuus ja käyttövarmuus ovat akkukäyttöisen sauvapumppumme tärkeimpiä ominaisuuksia.

KÄYTTÖTARKOITUS

Akkukäyttöinen sauvapumppu on tarkoitettu poistamaan puhdasta tai likaista vettä altaista, lammikoista ja säiliöistä. Laitetta käytetään myös tulvaveden tai tulvista johtuvan liiallisen sadeveden poistamiseen. Laitetta voidaan kastelulaitteisiin liitettynä käyttää myös kasteluun.

Laitte on tarkoitettu vain koti- tai kotitalouskäyttöön. Produkten får användas inom- och utomhus.

Älä käytä muihin tarkoituksiin.

YLEISET TURVALLISUUSVAROITUKSET

- Älä koskaan salli lasten tai ihmisten, joiden fyysiset tai henkiset kyvyt tai aistit ovat heikentyneet tai joilta puuttuu kokemusta tai tietämystä, tai näitä ohjeita tuntemattomien käyttää tuotetta. Paikalliset säädökset saattavat asettaa rajastuksia käyttäjän iälle. Lapsia on pidettävä asianmukaisesti silmällä, jotta he eivät pääse leikkimään tuotteella.
- Säilytä nämä varoitukset ja ohjeet myöhempää tarvetta varten. Tarkista käyttöohjeet säännöllisesti ja neuvo niiden avulla muita laitteen käytössä. Jos lainaat tämän laitteen jollekulle, lainaa hänelle myös nämä ohjeet laitteen väärinkäytön ja mahdollisen henkilövahingon estämiseksi.
- Pidä kaikki henkilöt, erityisesti pienet lapset ja lemmikkieläimet, poissa työskentelyalueelta.
- Tarkasta laite aina ennen käyttöä. Tarkista, onko laitteessa löysiä kiinnikkeitä, polttoainevuotoja tms. Varmista, että kaikki suojukset ja kädensijat on kiinnitetty tukevasti. Vaihda kaikki vioittuneet osat ennen käyttöä. Tarkista, onko akussa vuotoja.
- Älä muunna laitetta millään tavoin tai käytä osia tai lisävarusteita, jotka eivät ole valmistajan suosittelemaa.
- Älä käytä reunaleikkuria paljain jaloin tai sandaalit tai vastaavat kevyet jalkineet jalassa. Käytä liukusteisia turvajalkineita, jotka suojaavat jalkoja ja parantavat jalansijaa liukkailla pinnoilla.
- Noudata varovaisuutta liukastumisien tai kaatumisen välttämiseksi.

- Älä työnnä käsiä laitteen tuloaukkoihin/ poistoaukkoihin, kun laite on päällä.
- Älä asenna tai käytä laitetta räjähdysriskissä ympäristössä tai syttyvien materiaalien lähellä.
- Älä käytä laitetta, jos kytkin ei kytke sitä pois päältä. Vaihdata kytkin ainoastaan valtuutetussa huoltoliikkeessä.
- Sammuta laite, poista akku ja anna laitteen jäähtyä. Varmista, että kaikki liikkuvat osat ovat pysähtyneet täysin:
 - ennen huoltoa
 - ennen tukoksen poistamista
 - ennen tuotteen tarkastusta, puhdistusta ja huoltoa
 - ennen lisävarusteiden vaihtamista
 - ennen laitteen luota poistamista
 - aina huollon aikana
- Katkaise laitteesta virta välittömästi onnettomuuden tai toimintahäiriön sattuessa. Älä käytä laitetta ennen kuin se on perusteellisesti tutkittu valtuutetussa huoltoliikkeessä.

AKKUKÄYTTÖISEN TYÖKALUN KÄYTTÖ JA HOITO

- Käytä lataukseen ainoastaan valmistajan suosittelemaa laturia. Yhden tyyppiselle akulle sopivan laturin käyttö toisenlaisen akun kanssa voi olla vaarallista.
- Käytä vain laitteelle tarkoitettuja akkuja. Muiden akkujen käyttö voi johtaa tulipaloon, sähköiskuun tai loukkaantumiseen.
- Vaurioitunutta tai muunneltua akkua tai laitetta ei saa käyttää. Vaurioituneet tai muunnellut akut voivat käyttäytyä odottamattomasti, ja ne voivat johtaa tulipaloon, räjähdykseen, vaaraan tai tapaturmaan.
- Älä altista akkua tai laitetta tulelle tai liian korkeille lämpötiloille. Tulelle tai yli 130°C:n lämpötilalle altistuminen voi johtaa räjähdykseen.
- Kun akkua ei käytetä, pidä se erillään metalliesineistä, kuten paperiliittimistä, kolikoista, avaimista, nauloista, ruuveista ja muista pienistä metalliesineistä, jotka voivat yhdistää akun navat. Akun napojen oikosulkeminen voi aiheuttaa palovammoja ja tulipalon.
- Jos akkua käsitellään väärin, siitä voi vuotaa nestettä. Älä kosketa sitä. Jos kosketat sitä vahingossa, huuhtelee se vedellä. Jos nestettä pääsee silmiin, hakeudu välittömästi lääkärin hoitoon. Akusta vuotanut neste voi ärsyttää ihoa ja aiheuttaa palovammoja.

AKKUKÄYTTÖISEN SAUVAPUMPUN TURVALLISUUSVAROITUKSET

- Kun asennat laitetta, varmista, että akku on irrotettu akkukotelosta.
- Älä upota laitetta vesisäiliökoukun yläpuolelle. Vettä voi päästä elektronisiin komponentteihin ja/tai akkuun, mistä voi olla seurauksena oikosulku, lisääntynyt tulipalon riski ja vakava henkilövamma.
- Varmista, että suodatin on kunnolla kiinni ja että vesisäiliökoukku kiinnitetty, jos sitä käytetään.
- Varmista, että kaikki liitännät ovat vuotamattomia. Käytä kierteen tiivisteteippiä tai sopivaa tiivisteainetta liitoskierteessä.
- Kun kiristät kierteisiä liitoksia, älä käytä liiallista voimaa, joka voi aiheuttaa vaurioita.
- Älä käytä laitetta syövyttäviin, hankaaviin, räjähtäviin tai vaarallisiin nesteisiin. Muut nesteet kuin vesi voivat vaurioittaa laitetta, aiheuttaa tulipalovaaran ja aiheuttaa käyttäjälle fyysisiä vammoja.
- Älä puhdistu tuotetta juomavedellä.
- Älä käytä laitetta ilman nestettä. Älä käytä pumpua kuivana.
- Älä käytä laitetta, jos vedessä on ihmisiä.
- Älä irrota letkua laitteen ollessa vielä käynnissä.
- Voiteluainevuodot voivat saastuttaa nestettä.
- Laitteesta valuva vesi voi aiheuttaa maan kastumisen ja liukastumisen. Varmista, että valunut vesi poistetaan laitteen käytön jälkeen.
- Älä tyhjennä vettä alueille, joissa on sähkö- tai suurjännite-elementtejä, aktiivisia kemikaaleja tai muita esineitä tai aineita, jotka voivat aiheuttaa vaaraa veteen sekoitettuna.
- Pitele laitetta tukevasti, jos siinä on valukuorinen kahva. Käytä aina rannehihnaa, paitsi jos käytetään säiliökoukkuja. Älä jätä laitetta valvomatta käytön aikana. Varmista, että laite ei pääse kaatumaan.
- Älä altista akkukotelon sisäpuolta sateelle tai märille olosuhteille. Laite on vedenkestävä vain kun akkukotelo on suljettu, lukittu ja ehjä. Laitteeseen pääsevä vesi lisää sähköiskun vaaraa.

MUITA AKUN TURVALLISUUSVAROITUKSIA

Jotta oikosulusta aiheutuva tulipalon, loukkaantumisen ja tuotevaurion riski olisi pienempi, älä koskaan upota akkupakkausta tai laturia nesteeseen tai päästä nestettä niiden sisälle. Syövyttävät tai sähköä johtavat nesteet, kuten suolavesi, tietyt kemikaalit ja lalkaisuaineet tai valkaisuaineita sisältävät tuotteet voivat aiheuttaa lyhytsulun.

KULJETUS JA VARASTOITAESSA

- Sammuta laite, poista akkupakkaus ja anna laitteen jäähtyä ennen sen varastointia tai kuljetusta.
- Puhdista laite perusteellisesti ennen sen varastointia. Poista ylimääräinen vesi levittämällä laite kokonaan. Säilytä laite pystyasennossa ja täysin auki levitettynä veden poistamiseksi kokonaan. Säilytä laite kuivassa, hyvin ilmastoidussa paikassa, johon lapset eivät pääse. Pidä tuote erillään syövyttävistä aineista, kuten puutarhakemikaaleista ja jäänestosuolasta. Älä jätä laitetta ulos pakkasella.
- Kiinnitä tuote kuljettaessa siten, että se ei pääse liikkumaan tai kaatumaan, jotta välttyä loukkaantumisilta ja vaurioilta.

LITIUMAKKUIEN KULJETTAMINEN

Kuljeta akkuja paikallisten ja kansallisten ehtojen ja säädösten mukaisesti.

Noudata kaikkia pakkaamista ja nimeämistä koskevia erikoissäädöksiä, kun kolmas osapuoli kuljettaa akkuja. Varmista, että mikään akku ei kosketa muita akkuja tai johtavaa materiaalia kuljetuksen aikana suojaamalla paljaat navat eristävillä, johtamattomilla korkeilla tai teipillä. Älä kuljeta akkuja, jotka ovat halkeilleet tai vuotavat. Kysy välitysyriykseltä lisäneuvoja.

HUOLTO

- Käytä ainoastaan alkuperäisiä valmistajan tuottamia varaosia, lisälaitteita ja lisävarusteita. Tämän noudattamatta jättäminen voi johtaa loukkaantumiseen ja huonoon tulokseen ja voi mitätöidä takuun.

- Huolto kaipaa suurta huolellisuutta ja hyvää työkalun tuntemusta: Se on annettava pätevän teknikon tehtäväksi. Teetä huollot ainoastaan valtuutetussa huoltoliikkeessä.
- Voit tehdä tässä käyttöoppaassa kuvattuja säätöjä ja korjauksia. Pyydä apua valtuutetusta huollosta muiden korjaus- tai neuvontarpeiden tapauksessa.
- Tarkasta säännöllisesti pumppu, letkut, veden tuloaukko ja suodattimet. Varmista, että letkuissa, veden tuloaukossa ja suodattimissa ei ole mutaa, hiekkaa tai roskaa. Varmista, että laite on ehjä.
- Puhdista tuote aina käytön jälkeen pehmeällä ja kuivalla liinalla. Pidä laite kuivana, puhtaana ja vapaana öljystä ja rasvasta, kun sitä ei käytetä. Valtuutetun huoltopisteen on korjattava tai vaihdettava vioittuneet osat asianmukaisesti.
- Puhdista suodatin vain, kun sen toiminnot ovat heikentyneet huomattavasti.
- Vie tuote valtuutettuun huoltoon vaurioituneiden ja lukukelvottomien kyttien vaihtamiseksi.

TUNNE TUOTTEESI

Katso sivu 103.

1. Ajastinpainike
2. Virtapainike
3. Akun kansi
4. Salpa
5. Ajastimen merkkivalot
6. LED-työvalot
7. Valukuorinen kahva
8. Veden ulostulo
9. Rannehina
10. Vesisäiliökoukku
11. Aallotettu poistoletku
12. G3/4-sovitin
13. G3/4-liitin
14. Ulostulon sovitin aallotetulle poistoletkulle
15. Korkeudensäädön kierrelukot
16. Mutasuodatin
17. Manuaalinen leikkuu
18. Roskasuodatin
19. Akku
20. Laturi
21. Puutarhaletku

TUOTTEESSA OLEVAT SYMBOLIT



Irrrota akkuyksikkö laitteesta ennen kuin teet siihen mitään toimenpiteitä.



Varoitus
Lue ohjeet huolellisesti ennen laitteen käynnistämistä.



Vältä kiertämästä tankoa tai pohjapumppukotelo, kun jatkokaulukset on vapautettu, sillä johto voi kietoutua sisälle.



Älä upota laitetta vesisäiliökoukun yläpuolelle.



IPX5 Akkukotelon suojausluokka



IPX8 Pumpun pään suojausluokka



Suurin käyttösyvyys



EurAsian-vaatimustenmukaisuusmerkki



Eurooppalainen vaatimustenmukaisuusmerkintä



Brittiläinen vaatimustenmukaisuusmerkintä



Ukrainalainen vaatimustenmukaisuusmerkintä



Älä altista akkua sateelle tai kosteudelle.

Älä hävitä käytettyjä akkuja sekä sähkö- ja elektroniikkalaiteromua lajittelemattomana yhdyskuntajätteenä.

Käytetyt akut sekä sähkö- ja elektroniikkalaiteromu on kerättävä erikseen.

Käytetyt paristot ja akut ja hukkavalonlähteet on poistettava laitteista. Selvitä paikkakuntasi viranomaisilta tai jälleenmyyjältäsi kierrätystä koskevat ohjeet ja akkujen keräyspisteen sijainti.

Paikallisten määräysten mukaan jälleenmyyjillä voi olla velvollisuus ottaa käytetyt akut sekä sähkö- ja elektroniikkalaiteromu takaisin veloitusetta. Panoksesi käytettyjen akkujen sekä sähkö- ja elektroniikkalaiteromun uudelleenkäyttöön ja kierrätykseen auttaa vähentämään raaka-aineiden kysyntää. Käytetyt, erityisesti litiumia sisältävät akut sekä sähkö- ja elektroniikkalaiteromu sisältävät arvokkaita ja kierrätettäviä materiaaleja, jotka voivat vaikuttaa haitallisesti ympäristöön ja ihmisten terveyteen, jos niitä ei hävitetä ympäristöystävällisellä tavalla. Poista mahdolliset henkilötiedot jätelaitteista.



TÄMÄN KÄSIKIRJAN SYMBOLIT



Osat ja lisävarusteet on hankittava erikseen



Huom



Varoitus

Sikkerhet, ytelse og pålitelighet har fått topp prioritet ved konstruksjonen av denne kabelfrie stikkpumpen.

TILTENKT BRUK

Den kabelfrie stikkpumpen er beregnet til å fjerne rent eller skittent vann fra dammer, bassenger og tanker. Produktet kan brukes til å fjerne flomvann eller overskytende regnvann ved oversvømmelser. Produktet kan også brukes til vanning når det er paret med vanningsutstyr.

Produktet er kun beregnet til hjemmebruk eller privat bruk. Produktet kan brukes innendørs eller utendørs.

Den skal ikke brukes til noe annet formål

GENERELLE SIKKERHETSADVARSLER

- Du må aldri la barn, personer med redusert fysisk, sensorisk eller mental kapasitet eller mangel på erfaring og kunnskap eller personer som ikke kjenner disse instruksene, bruke produktet. Lokale forskrifter fastlegger brukerens minstealder. Barn må ha riktig tilsyn for å sikre at de ikke leker med produktet.
- Ta vare på disse advarslene og instruksene for å se i dem senere. Henvi til dem ofte, og bruk dem til å instruere andre som kan bruke produktet. Hvis du lar noen låne produktet, skal du også låne dem denne bruksanvisningen for å unngå feilbruk av produktet og mulig skade.
- Hold driftsområdet unna personer, spesielt små barn og kjæledyr.
- Sjekk maskinen før hver bruk. Sjekk for løse fester, drivstofflekkasjer osv. Påse at alle deksler og håndtak er korrekt og trygt montert. Erstatt alle skadede deler før fortsatt bruk. Sjekk for lekkasjer fra batteripakken.
- Du må ikke endre maskinen på noe måte eller bruke deler og tilbehør som ikke er anbefalt brukt av produsenten.
- Ikke betjen produktet når du er barfot eller ved bruk av sandaler eller lignende lettvektig fotteøy. Bruk vernesko som beskytter føttene dine og gir bedre fotfestet på glatte overflater.
- Vær forsiktig så du ikke sklir eller faller.
- Stikk ikke hendene inn i inngangene/utgangene på produktet mens det er slått på.
- Ikke installer eller bruk produktet i et eksplosivt miljø eller i nærheten av brennbare materialer.

- Ikke bruk produktet hvis av-bryteren ikke slår det av. Sørg for at et autorisert servicesenter skifter bryteren.
- Skru av produktet, ta ut batteri og la produktet kjøles ned. Påse at alle bevegelige deler har stoppet helt:
 - før betjening
 - før rengjøring av en blokkering
 - før kontroll, rensing og arbeider på produktet
 - før endring av tilbehør
 - før produktet etterlates uten oppsyn
 - når vedlikehold utføres
- Slå umiddelbart av og fjern batteripakken i tilfelle en ulykke eller svikt. Ikke bruk redskapen igjen før den er nøye kontrollert av et autorisert servicesenter.

BATTERIPRODUKTER - BRUK OG STELL

- Lad bare med ladere som er spesifisert av produsenten. En lader som passer til en type batteripakke kan skape risiko for brann dersom den brukes til en annen type batteripakke.
- Bruk kun batteri som er beregnet til dette produktet. Bruk av noe annet batteri kan føre til risiko for brann, elektrisk sjokk eller personskade.
- Bruk ikke et batteri eller produkt som er skadet eller modifisert. Batterier som er skadd eller endret, kan oppføre seg uforutsigbart, noe som kan føre til brann, eksplosjon og personskade.
- Ikke utsett batteri eller produkt for åpen ild eller høye temperaturer. Eksponering for brann eller høy temperatur over 130 °C kan føre til eksplosjon.
- Når batteripakken ikke er i bruk, hold den borte fra metallgjenstander som binders, mynter, nøkler, spiker, skruer og annet som kan forbinde de to terminalene med hverandre. Kortslutning av batteriterminalene kan føre til brenning eller brann.
- Under vanskelige forhold kan det unnslipe væske fra batteriet. Unngå kontakt. Hvis du får kontakt med væsken fra batteriet, skyll med rikelige mengder vann. Hvis væsken får kontakt med øynene må det søkes medisinsk hjelp. Væske som kommer ut av batteriet kan føre til irritasjon eller brannskår.

SIKKERHETSADVARSLER FOR KABELFRI STIKKPUMPE

- Sørg for at batteri er fjernet fra batteriboksen når du installerer produktet.
- Ikke senk produktet ned over vanntønnkroken. Vann kan trenge inn i de elektroniske komponentene og/eller batteriet, noe som kan føre til kortslutning, økt risiko for brann og alvorlig personskade.
- Sørg for at filteret er festet godt og at vanntønnkroken er festet hvis den skal brukes.
- Sørg for at alle tilkoblinger er lekkasjefrie. Bruk en forsterket tape eller et egnet tetningsmiddel på tilkoblingstråden.
- Ved stramming av gjengede tilkoblinger skal det ikke brukes overdreven kraft som kan forårsake skade.
- Ikke bruk produktet til korroderende, slipende, eksplosive eller farlige væsker. Andre væsker enn vann kan skade produktet, gi brannfare og forårsake fysiske skader på operatøren.
- Ikke bruk produktet med drikkevann.
- Ikke bruk produktet uten væske. La ikke produktet kjøre tørr.
- Ikke bruk produktet når det er folk i vannet.
- Ikke fjern slangen mens produktet fortsatt er i drift.
- Det kan oppstå forurensning av væsken på grunn av lekkasje av smøremidler.
- Vann som slipper ut av produktet kan gjøre bakken våt og glatt. Pass på å rengjøre utlippsvannet etter at du har brukt produktet.
- Ikke tøm ut vann områder med elementer som er elektriske eller har høy spenning, aktive kjemikalier eller andre gjenstander eller stoffer som kan forårsake fare når de blandes med vann.
- Hold produktet godt fast der det er et overstøpt grep. Bruk alltid håndleddslinjen, unntatt når du bruker vinkelkroken. Ikke la produktet være uten tilsyn når det er i bruk. Pass på at produktet ikke velter.
- Ikke eksponer innsiden av batterihuset for regn eller våte forhold. Produktet er bare vanntett når batterihuset er lukket, låst og skadefritt. Vann som trenger inn i produktet vil øke risikoen for elektrisk støt.

EKSTRA SIKKERHETSINSTRUKSER FOR BATTERI

For å redusere risikoen for brann, personskade og produktskade på grunn av en kortslutning skal produktet, batteripakken eller laderen aldri senkes ned i væske, og væske skal aldri flyte inn på innsiden av disse. Korroderende og ledende væsker som saltvann, visse kjemikalier og blekemidler eller produkt som inneholder blekemidler kan forårsake en kortslutning.

TRANSPORT OG LAGRING

- Slå av produktet, ta ut batteripakken og la det kjøles av før lagring eller transport.
- Rengjør produktet grundig før oppbevaring. Fjern overflødig vann ved å strekke produktet helt ut. Lagre produktet oppreist og helt forlenget for å tømme vannet helt. Lagre produktet på et rent, tørt sted og godt ventilert område som er utilgjengelig for barn. Hold avstand til korroderende midler som havekjemikalier og avisingssalt. Ikke la produktet være utenfor under frysepunktet.
- Ved transport må produktet sikres mot å komme i bevegelse eller falle for å unngå skade på personer, ting eller på produktet.

TRANSPORTERE LITIUM-BATTERIER

Transporter batterier i henhold til lokale og nasjonale lover og forskrifter.

Følg alle spesialkrav med hensyn til emballering og merking når batterier transporteres av en tredjepart. Påse at ingen batterier kan komme i kontakt med andre batterier eller ledende materialer under transporten ved å beskytte åpne kontakter med isolasjon, ikkeledende lokk eller tape. Ikke transporter batterier som er sprukne eller som lekker. Kontakt speditøren for å få ytterligere råd.

VEDLIKEHOLD

- Bruk kun produsentens originale reservedeler, tilleggsutstyr og påsatser. Dersom dette ikke følges, kan det forårsake personskader, dårlig funksjon og kan annullere garantien din.

- Service krever meget stor forsiktighet og kunnskap og bør utføres kun av kvalifisert teknisk personale. Få utført service på produktet kun av et autorisert servicesenter.
- Du kan foreta justeringer og reparasjoner som er beskrevet i denne brukermanualen. For andre typer reparasjoner eller råd anbefales det å kontakte et autorisert servicesenter.
- Inspiser pumpen, slangene, filterne og vanninntaket regelmessig. Se til at slangene, filterne og vanninntaket er fritt for gjørme, sand og avfall. Sørg for at det ikke er noen skader.
- Etter hver bruk, rens produktet med en myk tørr klut. Hold utsiden av produktet tørt, rent og fritt for olje og smørefett når det ikke er i bruk. Enhver del som er skadet må repareres eller skiftes ut på fagmessig måte ved et autorisert serviceverksted.
- Rengjør filteret kun ved merkbar reduksjon i funksjonalitet.
- Bring produktet til et autorisert servicesenter for utskifting av skadede eller uleselige etiketter.

KJENN PRODUKTET DITT

Se side 103.

1. Tidsknapp
2. Av/på knappen
3. Batterideksel
4. Lås
5. Lamper for tidsindikator
6. LED-arbeidslys
7. Overstøpt grep
8. Vannutløp
9. Håndleddslinje
10. Vanntønnekrok
11. Korrugert utlagsslange
12. G3/4-adapter
13. G3/4-kontakt
14. Uttaksadapter for bølgeformet utladingslange
15. Høydejustering vrilås
16. Gjørmefilter
17. Brukermanual
18. Avfallsfilter
19. Batteri
20. Lader
21. Hageslange

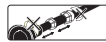
SYMBOLER PÅ PRODUKTET



Fjern batteripakken før du starter arbeid på produktet.



Sikkerhetsalarm
Vennligst les instruksjonene nøye før du starter maskinen.



Unngå å vri stangen eller det nedre pumpehuset når forlengelseskragene er låst opp, da dette kan binde kabelen på insiden.



Ikke senk produktet ned over vanntønnekroken.



IPX5

Beskyttelse mot inntrengning i batterirommet



IPX8

Beskyttelse mot inntrengning av pumpehode



1.2m

Maksimal bruksdybde



EurAsian samsvarsmerke



Europeisk samsvarsmerking



Britisk samsvarsmerking



001

Ukrainsk samsvarsmerking



Ikke eksponer batteripakken for regn eller fuktige forhold.

Ikke kast avfallsbatterier, elektrisk og elektronisk utstyrsavfall som usortert kommunalt avfall. Avfallsbatterier og elektrisk og elektronisk utstyrsavfall må samles inn separat. Avfallsbatterier, avfallsakkumulatører og lyskilder må fjernes fra utstyret. Spør lokale myndigheter eller utsalget for råd om resirkulering og steder for kildesortering. I henhold til lokale forskrifter kan forhandlere være forpliktet til å ta tilbake avfallsbatterier, elektrisk og elektronisk utstyrsavfall gratis. Ditt bidrag til gjenbruk av og gjenvinning av avfallsbatterier og elektrisk og elektronisk utstyrsavfall bidrar til å redusere etterspørselen etter råmaterialer. Avfallsbatterier, spesielt de som inneholder litium, og elektrisk og elektronisk utstyrsavfall inneholder verdifulle og resirkulerbare materialer som kan påvirke miljøet og menneskets helse negativt, hvis de ikke blir kastet på en miljøkompatibel måte. Slett personlig data fra utstyrsavfall, om noen.



SYMBOLER I DENNE MANUALEN



Deler eller tilbehør som er tilgjengelige separat



Merk



Advarsel

В основе конструкции вашего беспроводного штангового насоса лежат принципы безопасности, высокой производительности и надежности.

НАЗНАЧЕНИЕ

Этот беспроводный штанговый насос предназначен для удаления чистой или грязной воды из водоемов, бассейнов и резервуаров. Это также можно использовать для откачки паводковой и дождевой воды во время наводнений. Также это изделие пригодно для ирригации, при условии сочетания с другими принадлежностями для полива.

Это изделие предназначено только для домашнего использования. Изделие может использоваться внутри и вне помещений.

Не используйте устройство для каких-либо иных целей.

ОБЩИЕ ПРАВИЛА БЕЗОПАСНОСТИ

- Никогда не позволяйте детям или людям с ограниченными физическими, сенсорными или умственными способностями, а также людям, незнакомым с этими инструкциями, использовать это устройство. Местные инструкции могут ограничить возраст оператора. Не допускайте того, чтобы дети играли с этим устройством.
- Сохраните все предупреждения и инструкции по технике безопасности для последующего использования. Обращайтесь к ним каждый раз по мере необходимости и используйте их для обучения других лиц, которым может потребоваться использование изделия. При передаче изделия кому-либо для временного пользования не забудьте передать также настоящую инструкцию во избежание ненадлежащей эксплуатации и получения травм.
- Избегайте присутствия на участке выполнения работ других людей, в частности, маленьких детей, а также животных.
- Проверяйте устройство перед каждым использованием. Проверьте надежность креплений, наличие утечки топлива и т. д. Проверьте правильность установки и надежность крепления всех защитных устройств, и ручек. Перед использованием замените поврежденные детали. Проверьте аккумуляторную батарею на отсутствие протечки.
- Запрещается каким-либо образом изменять конструкцию устройства или использования детали и принадлежности, не рекомендованные производителем.
- Не используйте изделие босиком, а также в открытых сандалиях или аналогичной легкой обуви. Используйте защитную обувь, которая обеспечивает защиту ваших ног и улучшает качество контакта со скользкими поверхностями.
- Работайте осторожно, чтобы не поскользнуться и не упасть.
- Запрещается вставлять руки в любые входные и выходные отверстия во время работы изделия.
- Запрещается установка и эксплуатация изделия во взрывоопасной среде или в непосредственной близости от легковоспламеняющихся материалов.
- Запрещается эксплуатировать изделие с неисправным выключателя питания. Выполните замену выключателя в авторизованном сервисном центре.
- Выключите изделие, извлеките аккумуляторный блок и дайте изделию остыть. Убедитесь в полной остановке всех движущихся деталей:
 - перед техническим обслуживанием
 - перед устранением засора
 - перед проверкой, чисткой и техобслуживанием продукта;
 - перед заменой принадлежностей
 - перед тем, как оставить инструмент без присмотра
 - при выполнении технического обслуживания
- В случае аварии или поломки незамедлительно выключите устройство и извлеките аккумуляторный блок. Не используйте устройство, обратитесь в гарантийное обслуживание для дальнейшей проверки.

ЭКСПЛУАТАЦИЯ УСТРОЙСТВА С АККУМУЛЯТОРНЫМ ПИТАНИЕМ И УХОД ЗА НИМ

- Зарядку выполняйте только с использованием зарядного устройства, указанного изготовителем. Зарядное устройство, подходящее к одному типу аккумуляторных батарей, может создать опасность возгорания при использовании с аккумуляторными батареями другого типа.

- Используйте только аккумуляторные блоки, предназначенные для этого изделия. Использование аккумуляторных батарей другого типа может привести к возгоранию, поражению электрическим током или телесным повреждениям.
 - Использование поврежденного или модифицированного аккумуляторного блока запрещено. Поврежденные или модифицированные аккумуляторы могут вести себя непредсказуемо, что может привести к пожару, взрыву или послужить причиной травмы.
 - Запрещается подвергать аккумуляторный блок или изделие воздействию огня и чрезмерных температур. Воздействие огня или температуры выше 130°C может привести к взрыву.
 - Если аккумуляторная батарея не используется, храните ее отдельно от других металлических предметов, например канцелярских скрепок, монет, ключей, гвоздей, винтов и других мелких металлических предметов, которые могут привести к замыканию контактов батареи. Замыкание контактов батареи может вызвать ожоги или привести к возгоранию.
 - При ненормальных условиях из батареи может вытечь жидкость. Избегайте контакта с данной жидкостью. Если этого избежать не удалось, смойте жидкость водой. Если жидкость попала в глаза, после их промывания обратитесь за медицинской помощью. Жидкость, вытекающая из батареи, может вызвать раздражение или ожог.
- ПРАВИЛА ТЕХНИКИ БЕЗОПАСНОСТИ ПРИ ИСПОЛЬЗОВАНИИ БЕСПРОВОДНОГО ШТАНГОВОГО НАСОСА**
- Перед установкой изделия убедитесь, что из него извлечен аккумуляторный блок.
 - Запрещается погружать изделие в воду выше уровня крюка на водяном цилиндре. Вода может попасть на электронные компоненты и/или аккумуляторный блок, что может привести к короткому замыканию, повышенной пожароопасности, а также опасности получения серьезных травм.
 - Убедитесь, что фильтр надежно закреплен, а также что установлен крюк на водяном цилиндре (если планируется его использование).
 - Обеспечьте герметичность всех соединений. На соединительной резьбе используйте ленту для уплотнения резьбы или подходящий герметик.
 - При затяжке резьбовых соединений не прилагайте чрезмерного усилия. Это может привести к повреждению деталей.
 - Запрещается использовать изделие с корродирующими, абразивными, взрывоопасными и иными опасными жидкостями. Использование любых жидкостей за исключением воды приводит к повреждению изделия, опасности возникновения пожара, а также может стать причиной получения травм оператором.
 - Запрещается использование изделия с питьевой водой.
 - Запрещается работа изделия без жидкости. Запрещается работа изделия насухую.
 - Запрещается работа изделия при нахождении в воде людей.
 - Запрещается отсоединение шланга во время работы изделия.
 - В случае утечки смазочных материалов возможно загрязнение рабочей жидкости.
 - Вытекание воды из изделие может привести к тому, что земля станет влажной и скользкой. Обязательно удаляйте остатки откачиваемой воды из изделия по окончании этой работы.
 - Не откачивайте воду на участки, содержащие электрическое (в частности, высоковольтное) оборудование, активные химические вещества, а также любые иные предметы или вещества, которые способны становиться опасными при смешивании с водой.
 - Крепко удерживайте изделие в руках за изолированную рукоятку. Всегда используйте кистевой ремень, за исключением случаев, когда применяется клюк для водяного цилиндра. Запрещается оставлять изделие без присмотра во время работы. Устраните риск опрокидывания устройства.
 - Не допускайте воздействия дождя и влаги на внутреннюю часть аккумуляторного отсека. Изделие остается водонепроницаемым только при условии, что крышка аккумуляторного отсека закрыта, зафиксирована и не содержит повреждений. Проникновение влаги внутрь изделия повышает риск поражения электрическим током.

ТРЕБОВАНИЯ БЕЗОПАСНОСТИ ПРИ ИСПОЛЬЗОВАНИИ ДОПОЛНИТЕЛЬНОЙ АККУМУЛЯТОРНОЙ БАТАРЕИ

Чтобы уменьшить риск пожара, травмы и повреждения изделия вследствие короткого замыкания не погружайте изделие, аккумуляторный блок или зарядное устройство в жидкость и не допускайте попадания жидкости внутрь. Коррозионные и проводящие жидкости, такие как соленый раствор, определенные химикаты, отбеливающие средства или содержащие их продукты, могут привести к короткому замыканию.

ТРАНСПОРТИРОВКА И ХРАНЕНИЕ

- Перед размещением на хранение или транспортировкой выключите изделие, извлеките аккумуляторный блок и дождитесь остывания изделия.
- Тщательно очищайте инструмент перед тем, как поместить его на хранение. Удалите все остатки воды, полностью раскрыв изделие. Для полного удаления воды храните изделие в вертикальном положении и полностью раскрытым. Храните изделие в сухом, хорошо вентилируемом, недоступном для детей месте. Оберегайте от веществ, вызывающих коррозию, например, садовых удобрений или соли для удаления льда. Запрещается оставлять изделие вне помещения при минусовой температуре.
- Для транспортировки закрепите устройство так, чтобы оно не могло перемещаться или упасть во избежание травмирования персонала или повреждения устройства.

ПЕРЕВОЗКА ЛИТНЕВЫХ БАТАРЕЙ

Транспортировку батареи осуществляйте в соответствии местными и национальными нормами и положениями.

Следуйте всем особым требованиям к упаковке и маркировке при транспортировке батареи в сторонние организации. Проверьте, чтобы батарея не соприкасалась с другими батареями или токопроводящими материалами во время транспортировки, защитив открытые контакты с помощью изоляции, непроводящих колпачков или пленки. Не транспортируйте поврежденные или протекающие батареи. За консультацией обращайтесь в транспортно-экспедиционную компанию.

ОБСЛУЖИВАНИЕ

- Используйте только оригинальные запчасти, аксессуары и насадки от производителя. Невыполнение этого требования может привести к травме, к снижению производительности и к аннулированию гарантии.
- Обслуживание требует чрезвычайной заботы и знания и должно быть выполнено только квалифицированным техником обслуживания. Обратитесь в авторизованный сервисный центр.
- Вы можете также выполнить другие виды регулировки и ремонтные работы, описанные в данном руководстве. Для проведения других ремонтных работ или за получением рекомендаций обращайтесь в авторизованный сервисный центр.
- Периодически осматривайте насос, шланги, водовыпускное отверстие и фильтры. Убедитесь в том, что в шлангах, водовыпускном отверстии и фильтрах отсутствует грязь, песок и мусор. Убедитесь в отсутствии повреждений.
- После каждого использования протирайте изделие мягкой сухой тканью. Во время хранения поддерживайте изделие в сухом, чистом виде, без следов масла и смазки. В случае повреждения какой-либо детали необходимо обратиться в авторизованный сервисный центр для выполнения надлежащего ремонта или замены.
- Выполняйте очистку фильтра только в случае заметного снижения функциональности изделия.
- Обратитесь в авторизованный сервисный центр для замены поврежденных или нечитаемых этикеток изделия.

ИЗУЧИТЕ УСТРОЙСТВО

См. стр. 103.

1. Кнопка таймера
2. Кнопка Вкл./Выкл
3. Крышка аккумуляторного отсека
4. Защелка
5. Светодиодные индикаторы таймера
6. Светодиодное рабочее освещение
7. Изолированная рукоятка
8. Водовыпускное отверстие
9. Кистевой ремень
10. Крюк на водяном цилиндре
11. Гофрированный выпускной шланг
12. Адаптер под G3/4

13. Соединитель G3/4
14. Переходник для выпускного отверстия для гофрированного выпускного шланга
15. Поворотные замки для регулировки высоты
16. Грязевой фильтр
17. Руководство оператора
18. Фильтр для мусора
19. Аккумулятор
20. Зарядное устройство
21. Садовый шланг

УСЛОВНЫЕ ОБОЗНАЧЕНИЯ НА ПРОДУКТЕ



Перед запуском и использованием изделия извлеките аккумуляторный блок.



Внимание
Перед использованием прибора внимательно ознакомьтесь с данной инструкцией.



При отсоединении удлинительных муфт избегайте скручивания штанги и нижней части корпуса насоса, поскольку это может привести к заземлению кабеля внутри изделия.



Запрещается погружать изделие в воду выше уровня крюка на водяном цилиндре.



IPX5 Степень пылевлагозащиты аккумуляторного отсека



IPX8 Степень пылевлагозащиты головки насоса



Максимальная рабочая глубина



Знак Евразийского Соответствия



Знак соответствия европейским стандартам



Знак соответствия стандартам Великобритании



Знак соответствия Украины



Не допускайте воздействия дождя или влаги на аккумуляторный блок.

Утилизация аккумуляторов, электрического и электронного оборудования в месте с несортированными бытовыми отходами не допускается. Сбор аккумуляторов, электрического и электронного оборудования в целях утилизации должен осуществляться отдельно.

Перед утилизацией необходимо извлечь из оборудования элементы питания, аккумуляторы и источники света. Обратитесь к местным органам власти или поставщику, чтобы получить консультацию по переработке или информацию о пунктах переработки. Ритейлеры могут быть обязаны бесплатно принимать аккумуляторы, электрическое и электронное оборудование на утилизацию в соответствии с местными регламентами. Ваш вклад в повторную переработку аккумуляторов, а также электрического и электронного оборудования позволит сократить потребность в сырье. Аккумуляторы, в частности, содержащие литий, а также электрическое и электронное оборудование содержит ценные и подлежащие повторной переработке материалы, которые в случае ненадлежащей утилизации способны вредить экологии и здоровью людей. Перед утилизацией удалите с оборудования все персональные данные.



УСЛОВНЫЕ ОБОЗНАЧЕНИЯ В ДАННОМ РУКОВОДСТВЕ



Детали или принадлежности,
приобретаемые отдельно



Примечание



Осторожно

Транспортировка:

Категорически не допускается падение и любые механические воздействия на упаковку при транспортировке.

При разгрузке/погрузке не допускается использование любого вида техники, работающей по принципу зажима упаковки.

Хранение:

Необходимо хранить в сухом месте.

Необходимо хранить вдали от источников повышенных температур и воздействия солнечных лучей.

При хранении необходимо избегать резкого перепада температур.

Хранение без упаковки не допускается.

Срок службы изделия:

Срок службы изделия составляет 5 лет.

Не рекомендуется к эксплуатации по истечении 5 лет хранения с даты изготовления без предварительной проверки.

Дата изготовления (код даты) отштампован на поверхности корпуса изделия.

Пример:

W17 Y2015, где Y2015 - год изготовления

W17 – неделя изготовления

Определить месяц изготовления можно согласно приведенной ниже таблице, на примере 2015 года.

Обратите внимание! Количество недель в месяце различается от года в год.

Месяц	Январь	Февраль	Март	Апрель	Май	Июнь	Июль	Август	Сентябрь	Октябрь	Ноябрь	Декабрь	Год
Неделя	01	05	09	14	18	22	27	31	36	40	44	49	2015
	02	06	10	15	19	23	28	32	37	41	45	50	
	03	07	11	16	20	24	29	33	38	42	46	51	
	04	08	12	17	21	25	30	34	39	43	47	52	
	05	09	13	18	22	26	31	35	40	44	48	53	
		14			27								

Bezpieczeństwo, efektywność i niezawodność były czynnikami o najwyższym priorytecie w trakcie projektowania Państwa bezprzewodowej pompy transferowej.

PRZEZNACZENIE URZĄDZENIA

Pompa bezprzewodowa transferowa przeznaczona jest do przelączania wody, brudnej bądź czystej, z basenów, oczek wodnych i zbiorników. Produkt może również służyć do odprowadzania wody powodziowej lub kontrolowania nadmiaru wody deszczowej podczas powodzi. W połączeniu z akcesoriami do nawadniania produkt może być również wykorzystywany do nawadniania.

Produkt przeznaczony jest do stosowania wyłącznie w gospodarstwach domowych. Produkt może być używany w pomieszczeniach lub na zewnątrz.

Nie używać do żadnych innych celów.

OGÓLNE OSTRZEŻENIA DOTYCZĄCE BEZPIECZEŃSTWA

- Nie wolno pozwalać używać tego produktu dzieciom lub osobom o ograniczonych zdolnościach fizycznych, sensorycznych lub umysłowych ani osobom, które nie przeczytały tych instrukcji. Lokalne przepisy mogą ograniczać dopuszczalny wiek operatora." Należy dopilnować, aby dzieci nie bawiły się produktem.
- Zachowajcie te ostrzeżenia i zalecenia, aby móc się do nich odnieść w późniejszym czasie. Należy je często sprawdzać oraz wykorzystywać je do instruowania innych osób, które mogą używać tego produktu. Jeśli produkt zostanie pożyczony innej osobie, należy przekazać jej również niniejsze instrukcje, tak by zapobiec niewłaściwemu użytkowaniu produktu oraz potencjalnym obrażeniom.
- W obszarze działania nie powinny przebywać żadne osoby, a w szczególności małe dzieci i zwierzęta domowe.
- Przed każdym użyciem należy sprawdzić maszynę. Sprawdzić, czy wszystkie mocowania są dobrze dokręcone oraz czy nie ma wycieków paliwa itp. Upewnić się, że wszystkie elementy zabezpieczające, osłony i uchwyty są prawidłowo i bezpiecznie zamocowane. Wymienić wszystkie uszkodzone elementy przed

rozpoczęciem użytkowania. Sprawdzić, czy akumulator nie ma wycieków.

- Nie należy modyfikować maszyny w żaden sposób ani używać części i akcesoriów, które nie są zalecane przez producenta.
- Nie używać produktu boso lub w otwartych sandałach bądź innym lekkim obuwiu. Nosić obuwie ochronne, które chroni stopy i zwiększa stabilność na śliskich powierzchniach.
- Zachować ostrożność, aby uniknąć poślizgu lub upadku.
- Unikać wkładania rąk do wlotów/wylotów produktu, gdy jest on włączony.
- Nie należy instalować ani używać produktu w środowisku zagrożonym wybuchem ani w pobliżu substancji łatwopalnych.
- Nie używać produktu, jeśli nie można go wyłączyć za pomocą wyłącznika. Wymianę przełącznika należy powierzyć autoryzowanemu serwisowi.
- Wyłączyć produkt, wyjąć akumulator i pozostawić produkt do ostygnięcia. Upewnić się, że wszystkie elementy ruchome zostały całkowicie zatrzymane:
 - przed serwisowaniem
 - przed usunięciem zatoru
 - przed sprawdzeniem, czyszczeniem i użytkowaniem produktu,
 - przed wymianą akcesoriów
 - przed pozostawieniem produktu bez nadzoru
 - zawsze w trakcie wykonywania konserwacji
- W razie wypadku lub awarii natychmiast wyłączyć i wymontować akumulator. Nie należy włączać produktu ponownie, dopóki nie zostanie w pełni sprawdzony przez autoryzowane centrum serwisowe.

UŻYTKOWANIE I OBSŁUGA AKUMULATORA

- Ładować wyłącznie za pomocą ładowarki dostarczonej przez producenta. Ładowarka przeznaczona do jednego modelu akumulatora może być przyczyną pożaru w przypadku zastosowania do ładowania akumulatora innego typu.
- Stosować wyłącznie akumulatory przeznaczone do stosowania z produktem. Używanie innych akumulatorów może spowodować pożar, porażenie prądem lub obrażenia ciała.

- Nie stosować uszkodzonych ani zmodyfikowanych akumulatorów ani produktów. Uszkodzone lub zmodyfikowane akumulatory mogą zachowywać się w sposób nieprzewidywalny, co może prowadzić do pożaru, wybuchu lub ryzyka obrażeń.
- Nie narażać akumulatora ani produktu na działanie ognia lub zbyt wysokich temperatur. Narażenie na działanie ognia lub temperatury powyżej 130°C może spowodować wybuch.
- Gdy akumulator nie jest używany, przechowywać go z dala od innych metalowych przedmiotów, np. spinaczy, monet, kluczy, gwoździ, śrub lub innych małych metalowych przedmiotów, które mogłyby utworzyć połączenie między stykami, prowadząc do zwarcia. Zwarcie styków akumulatora może spowodować oparzenia lub pożar.
- W trudnych warunkach może dojść do wyrzutu cieczy z akumulatora. Należy unikać kontaktu. Miejsce ewentualnego kontaktu przepłukać wodą. W przypadku, gdy płyn dostanie się do oczu, po przemyciu zwrócić się o pomoc do lekarza. Płyn wyciekający z akumulatora może powodować podrażnienia i oparzenia.

BEZPRZEWODOWA POMPA TRANSFEROWA – OSTRZEŻENIA DOTYCZĄCE BEZPIECZEŃSTWA

- Podczas instalacji produktu należy upewnić się, że akumulator został wyjęty z komory akumulatora.
- Nie zanurzać produktu powyżej haka do beczki z wodą. Woda może przedostać się do podzespołów elektronicznych i/ lub akumulatora, co może spowodować zwarcie, wzrost ryzyka pożaru oraz poważne obrażenia.
- Należy upewnić się, że filtr jest zabezpieczony, a hak beczki na wodę jest zamocowany, jeśli ma być używany.
- Upewnić się, że wszystkie połączenia są szczelne. Na gwint przyłączeniowy należy nałożyć taśmę uszczelniającą do gwintów lub odpowiedni środek uszczelniający.
- Podczas dokręcania połączeń gwintowanych nie należy stosować nadmiernej siły, która może spowodować uszkodzenie.
- Nie używać produktu do przetłaczania cieczy żrących, ściernych, wybuchowych

lub niebezpiecznych. Płyny inne niż woda powodują uszkodzenie produktu, stwarzają zagrożenie pożarowe i mogą spowodować obrażenia ciała operatora.

- Produkt nie nadaje się do tłoczenia wody pitnej.
- Nie uruchamiać produktu bez cieczy. Nie uruchamiać produktu na sucho.
- Nie używać produktu, gdy w wodzie przebywają ludzie.
- Nie demontować węża, gdy produkt nadal działa.
- Może to doprowadzić do zanieczyszczenia cieczy na skutek wycieku środków smarnych.
- Wypływająca z produktu zamoczyć podłoże, a tym samym spowodować poślizgnięcie. Po zakończeniu pracy produktu należy oczyścić wypływającą wodę.
- Nie odprowadzać wody do miejsc, w których znajdują się elementy elektryczne lub pod wysokim napięciem, aktywne substancje chemiczne lub inne przedmioty bądź substancje, które w kontakcie z wodą mogą spowodować zagrożenie.
- Trzymać produkt pewnie za rękkojeść z występem. Zawsze zakładać smycz na nadgarstek, chyba że używany jest hak do beczki z wodą. Nie pozostawiać produktu bez nadzoru podczas użytkowania. Upewnić się, że produkt nie może się przewrócić.
- Nie narażać wnętrza komory akumulatora na działanie deszczu lub wilgoci. Produkt jest wodoodporny tylko wtedy, gdy komora akumulatora jest zamknięta, zablokowana i nieuszkodzona. Przedostanie się wody do wnętrza produktu zwiększa ryzyko porażenia prądem.

AKUMULATOR — DODATKOWE OSTRZEŻENIA DOTYCZĄCE BEZPIECZEŃSTWA

Aby ograniczyć ryzyko pożaru, obrażeń oraz uszkodzenia produktu z powodu zwarcia, nigdy nie zanurzać produktu, akumulatora ani ładowarki w płynie ani nie dopuszczać do przedostania się płynu do ich wnętrza. Zwarcie spowodować mogą korodujące lub przewodzące ciecze, takie jak woda morską, określone chemikalia i wybielacze lub produkty zawierające wybielacze.

TRANSPORT I PRZECHOWYWANIE

- Przed odłożeniem bądź rozpoczęciem transportu lub składowania wymontować akumulator i poczekać, aż produkt ostygnie.
- Przed rozpoczęciem przechowywania dokładnie oczyścić produkt. Usunąć nadmiar wody, całkowicie wysuwając produkt. Produkt należy przechowywać w pozycji pionowej i w postaci całkowicie rozłożonej w celu całkowitego odprowadzenia wody. Produkt należy przechowywać w miejscu suchym, dobrze wentylowanym i niedostępnym dla dzieci. Nie przechowywać urządzenia wraz z materiałami korozyjnymi, takimi jak ogrodowe substancje chemiczne lub sól odmrażająca. Nie należy pozostawiać produktu na zewnątrz podczas mrozów.
- W przypadku transportu produktu należy zabezpieczyć go przed przemieszczaniem się lub upadkiem, aby nie dopuścić do obrażeń ciała lub uszkodzenia urządzenia.

TRANSPORTOWANIE AKUMULATORÓW LITOWYCH

Akumulatory należy transportować zgodnie z lokalnymi i krajowymi przepisami i regulacjami.

Należy postępować zgodnie z wszystkimi specjalnymi wymaganiami dotyczącymi pakowania i etykietowania akumulatorów podczas transportu przez stronę trzecią. Upewnij się, że żadne akumulatory nie zetkną się z innymi akumulatorami lub materiałami przewodzącymi podczas transportu; w tym celu należy zabezpieczyć odkryte złącza nieprzewodzącymi nakładkami izolacyjnymi lub taśmą izolacyjną. Nie należy transportować pękniętych ani nieszczelnych akumulatorów. Szczegółowe porady można uzyskać w firmie spedycyjnej.

KONSERWACJA

- Należy stosować wyłącznie oryginalne części zamienne, akcesoria oraz przystawki producenta. W przeciwnym razie może dość do obrażeń ciała, niskiej wydajności oraz do unieważnienia gwarancji.
- Serwisowanie wymaga wyjątkowej staranności i wiedzy. Może być wykonywane wyłącznie przez wykwalifikowany personel serwisowy. Serwisowanie należy powierzać wyłącznie autoryzowanemu serwisowi.

- Możesz wykonywać czynności regulacyjne i naprawcze opisane w tej instrukcji obsługi. W przypadku innych napraw lub pytań należy zwrócić się o pomoc do autoryzowanego punktu serwisowego.
- Okresowo sprawdzać pompę, węże, wlot wody i filtry. Dbać o to, aby węże, wlot wody i filtry były wolne od błota, piasku i pozostałości. Należy upewnić się, że nie ma żadnych uszkodzeń.
- Po każdym użyciu należy wyczyścić produkt miękką, suchą szmatką. Produkt należy utrzymywać w stanie suchym, czystym i wolnym od oleju oraz tłuszczu. Każdą uszkodzoną część należy odpowiednio naprawić lub wymienić w autoryzowanym punkcie serwisowym.
- Filtr należy czyścić tylko wtedy, gdy zauważalne jest pogorszenie jego działania.
- Jeśli etykiety są uszkodzone lub nieczytelne, należy zwrócić produkt do punktu serwisowego w celu wymiany etykiet.

POZNAJ SWÓJ PRODUKT

Patrz str. 103.

1. Przycisk zegara
2. Przycisk włączania/wyłączania
3. Pokrywa baterii
4. Zatrask
5. Lampki kontrolne zegara
6. Oświetlenie robocze LED
7. Rękojeść z występem
8. Wylot wody
9. Smycz na nadgarstek
10. Hak na beczkę z wodą
11. Karbowany wąż tłoczny
12. Adapter G3/4
13. Złącze G3/4
14. Adapter wylotowy do karbowanego węża tłoczego
15. Obrotowe blokady regulacji wysokości
16. Filtr błota
17. Instrukcja obsługi
18. Filtr zanieczyszczeń
19. Akumulator
20. Ładowarka
21. Wąż ogrodowy

SYMBOLE PRODUKTU



Przed rozpoczęciem pracy z produktem wymontować akumulator.



Alarm bezpieczeństwa
Przed uruchomieniem urządzenia prosimy uważnie przeczytać instrukcję.



Należy unikać skręcania masztu lub dolnej części obudowy pompy, gdy kołnierze przedłużające są odblokowane, ponieważ może to spowodować zakleszczenie kabla wewnątrz.



Nie zanurzać produktu powyżej haka do beczki z wodą.



IPX5

Ochrona przed wnikaniem komory akumulatora



IPX8

Ochrona przed wnikaniem głowicy pompy



1,2m

Maksymalna głębokość robocza



Oznaczenie zgodności EurAsian



Symbol zgodności z przepisami europejskimi



Symbol zgodności z przepisami brytyjskimi



001

Symbol zgodności z przepisami ukraińskimi



Nie narażać akumulatora na działanie deszczu lub wilgoci.

Zużytego sprzętu elektrycznego i elektronicznego, w tym zużytych baterii i akumulatorów, nie należy wyrzucać jako nieposortowanych odpadów komunalnych.

Zużyty sprzęt elektryczny i elektroniczny, w tym zużyte baterie i akumulatory, musi być gromadzony osobno. Zużyte baterie, akumulatory i źródła światła muszą zostać usunięte ze sprzętu. Porady dotyczące recyklingu i informacje dotyczące punktów zbiórki odpadów można uzyskać od władz lokalnych bądź sklepu, w którym nabyto produkt. Zgodnie z lokalnymi przepisami sprzedawcy detaliczni mogą być zobowiązani do nieodpłatnego odbioru zużytego sprzętu elektrycznego i elektronicznego, w tym baterii i akumulatorów. Państwa wkład w ponowne wykorzystanie i recykling zużytego sprzętu elektrycznego i elektronicznego, w tym baterii i akumulatorów, pomaga zmniejszyć zapotrzebowanie na surowce. Zużyte baterie i akumulatory — w szczególności zawierające lit — a także pozostały sprzęt elektryczny i elektroniczny, zawierają nadające się do recyklingu i cenne materiały i surowce, które mogą mieć negatywny wpływ na środowisko naturalne i zdrowie ludzkie, jeśli nie są usuwane w sposób przyjazny dla środowiska naturalnego. Z utylizowanego sprzętu należy usunąć wszelkie ewentualne dane osobowe.



SYMBOLE STOSOWANE W NINIEJSZEJ INSTRUKCJI



Części lub akcesoria sprzedawane osobno



Uwaga



Ostrzeżenie!

Při návrhu tohoto akumulátorového tyčového čerpadla byl kladen obzvláštní důraz na bezpečnost, provozní vlastnosti a spolehlivost.

ZAMÝŠLENÉ POUŽITÍ

Toto akumulátorové tyčové čerpadlo je určeno k vypouštění čisté nebo špinavé vody z jezírek, bazénů nebo nádrží. Tento přístroj se také může používat k odvodu povodňové vody nebo přebytečné dešťové vody při přivalových deštích. Tento přístroj lze také použít k zavlažování ve spojení se zalévacím příslušenstvím.

Výrobek je určen pouze pro využití v domácnostech. Výrobek lze používat v uzavřených i venkovních prostorech.

Přístroj nepoužívejte ji k jiným účelům.

VŠEOBECNÁ BEZPEČNOSTNÍ VAROVÁNÍ

- Produkt není určen pro používání osobami, včetně dětí se sníženými tělesnými, smyslovými nebo duševními schopnostmi nebo s nedostatkem zkušeností a znalostí, pokud neprošli školením ohledně používání, čištění či údržby. Místní předpisy mohou omezovat dobu obsluhy. Dohlédněte, aby si děti se spotřebičem nehrály.
- Uchovejte všechny pokyny a upozornění, abyste se k nim mohli v budoucnosti vrátit. Často na ně odkazujte a používejte je k poučení ostatních, kteří mohou tento přístroj používat. Pokud někomu tento přístroj zapůjčíte, půjčte mu i tyto pokyny, aby nedošlo k nesprávnému používání výrobku a možnému úrazu.
- Udržujte pracovní prostor mimo dosah všech osob, zejména malých dětí a domácích zvířat.
- Zkontrolujte nástroj před každým použitím. Zkontrolujte, zda nejsou uvolněny sponky, neuniká palivo atd. Ujistěte se, že jsou všechny ochranné kryty, a rukojeti správně a bezpečně nasazeny. Před použitím vyměňte jakékoliv poškozené součásti. Proveďte kontrolu akumulátoru na netěsnost.
- Nástroj nijak neupravujte nebo nepoužívejte příslušenství, jež nejsou doporučena výrobcem.
- Zařízení nepoužívejte, pokud jste na boso nebo v sandálech či obdobně lehké obuvi. Obujte si protiskluzové, ochranné boty na

ochranu nohou a lepší stabilitu na kluzkých površích.

- Dávejte pozor, abyste neuklouzli nebo nespadli.
- Nevkládejte ruce do vstupních/výstupních otvorů přístroje, když je zapnutý.
- Neinstalujte ani neprovozujte přístroj ve výbušném prostředí nebo v blízkosti hořlavých materiálů.
- Přístroj nepoužívejte, pokud jej vypínač nevypne. Vypínač nechte vyměnit autorizovaným servisním střediskem.
- Vypněte přístroj, vyjměte akumulátor a nechte přístroj vychladnout. Ujistěte se, že se zastavily všechny pohyblivé díly:
 - před servisem
 - před čištěním usazenin
 - před kontrolou, čištěním nebo prací na nástroji,
 - před výměnou příslušenství
 - před opuštěním výrobku
 - při údržbě
- V případě nehody nebo poruchy okamžitě zařízení vypněte a vyjměte baterii. Výrobek můžete znovu používat až po důkladné kontrole autorizovaným servisním centrem.

POUŽITÍ A PÉČE O NÁSTROJ NA BATERIE

- Dobíjejte pouze nabíječkou určenou výrobcem. Nabíječka, která je vhodná pro jeden typ akumulátoru může způsobit nebezpečí požáru, pokud se používá s jiným bateriovým modulem.
- Používejte pouze akumulátor určený speciálně pro tento přístroj. Použití jakéhokoliv jiného akumulátoru může způsobit nebezpečí poranění, úrazu elektřinou a požáru.
- Nepoužívejte akumulátor nebo přístroj, který je poškozený nebo upravený. Poškozené nebo upravené baterie se mohou chovat nepředvídatelně a důsledkem může být požár, výbuch nebo riziko zranění.
- Nevystavujte akumulátor ani přístroj ohni nebo příliš vysokým teplotám. Vystavení ohni nebo příliš vysokým teplotám převyšujícím 130°C může způsobit výbuch.
- Pokud akumulátor nepoužíváte, uchovávejte jej mimo kovové předměty jako svorky pro papír, mince, klíče, hřebíky, šrouby

nebo jiné malé kovové předměty, které mohou vytvořit propojení jednoho vývodu s druhým. Zkratování vývodů baterie může způsobit požár nebo popáleniny.

- Při špatném použití může dojít k vystříknutí tekutiny z baterie. Nedotýkat se. Pokud dojde k náhodnému kontaktu, omyjte vodou. Pokud kapalina přijde do kontaktu s očima, ihned vyhledejte lékařskou pomoc. Kapalina vytečená z baterie způsobí podráždění nebo popáleniny.

BEZPEČNOSTNÍ UPOZORNĚNÍ K AKUMULÁTOROVÉMU TYČOVÉMU ČERPADLU

- Při instalaci přístroje se ujistěte, že je akumulátor vyjmut z přihrádky na baterie.
- Neponořujte přístroj nad sudový hák. Voda může vniknout do elektronických součástí anebo akumulátoru, což může způsobit zkrat, zvýšené riziko požáru a vážný úraz.
- Ujistěte se, že filtr je zajištěn a hák na sud s vodou je upevněn, pokud má být použit.
- Ujistěte se, že jsou všechny spoje těsné. Na spojovací závit použijte těsnící pásku nebo vhodný tmel.
- Při utahování závitových spojů nepoužívejte nadměrnou sílu, která by mohla způsobit poškození závitu.
- Nepoužívejte přístroj k čerpání korozivních, abrazivních, výbušných nebo nebezpečných kapalin. Jiné kapaliny než voda přístroj poškozují, mohou způsobit požár a mohou způsobit úraz operátorovi.
- Přístroj nepoužívejte na pitnou vodu.
- Nespouštějte přístroj na sucho. Nenechávejte přístroj v chodu nasucho.
- Přístroj nepoužívejte, jsou-li ve vodě lidé.
- Neodpojujte hadici, dokud je přístroj v chodu.
- Mohlo by dojít ke znečištění kapaliny v důsledku úniku maziv.
- Voda vytékající z přístroje může způsobit navlhnutí půdy a následné uklouznutí. Po použití přístroje nezapomeňte vyčistit vypuštěnou vodu.
- Nevypouštějte vodu do oblastí s elektrickými nebo vysokonapěťovými prvky, aktivními chemikáliemi nebo jinými předměty nebo látkami, které mohou při smíchání s vodou způsobit nebezpečí.

- Uchopte výrobek bezpečně v místě, kde je krytá rukojeť. Vždy noste na zápěstí šňůrku s poutkem, nepoužíváte-li sudový hák. Při práci neponechávejte přístroj bez dozoru. Ujistěte se, že se přístroj nemůže převrátit.
- Vnitřek prostoru na akumulátor nevystavujte dešti nebo mokrému prostředí. Přístroj je vodě odolný pouze při zavřeném, zajištěném a nepoškozeném prostoru na akumulátor. Vniknutí vody do přístroje zvyšuje riziko úrazu elektrickým proudem.

DOPLŇUJÍCÍ BEZPEČNOSTNÍ UPOZORNĚNÍ K BATERII

Ke snížení rizika požáru, úrazu a poškození výrobku v důsledku zkratu nikdy nenoste přístroj, baterii ani nabíječku do tekutiny a nedovoďte, aby do nich tekutina vnikla. Korodující nebo vodivé kapaliny, jako je slaná voda, určité chemikálie a bělicí prostředky nebo výrobky, které obsahují bělidlo, mohou způsobit zkrat.

TRANSPORT A SKLADOVÁNÍ

- Před přenášením nebo uložením přístroje z něj vždy vyjměte akumulátor a nechte oba vychladnout.
- Před úschovou výrobek řádně očistěte. Odstraňte veškerou přebytečnou vodu úplným vysunutím výrobku. Skladujte přístroj ve vzpřímené poloze a úplně vysunutý, aby z něj zcela vytekla voda. Skladujte přístroj na suchém, dobře větraném místě, nepřístupném dětem. Udržujte produkt mimo korosivní materiály, například zahrádkářské chemikálie a rozmrazovací soli. Neponechávejte přístroj venku, když je mráz.
- Při transportu výrobku zajistěte proti pohybum nebo pádu, abyste zabránili poranění osob nebo poškození výrobku.

TRANSPORT LITHIOVÝCH BATERIÍ

Přenos baterií dle místních a národních opatření a předpisů.

Dodržujte všechny zvláštní požadavky na balení a značení při transportu baterií třetí stranou. Zajistěte, aby žádné baterie nepřišly do kontaktu s jinými bateriemi nebo vodivými materiály při transportu pomocí ochrany nekrytých kontaktů prostřednictvím izolace, nevodivých krytek či lepicích pásek. Nepřevravujte prasklé nebo baterie

s unikajícím elektrolytem. Ptejte se u zásilkové společnosti na další radu.

ÚDRŽBA

- Používejte pouze originální příslušenství, doplňky a náhradní díly výrobce. Zanedbání může zapříčinit možné poranění, slabý výkon a může dojít ke ztrátě záruky.
- Údržba vyžaduje extrémní péči a znalosti a měla by být prováděna pouze kvalifikovaným servisním technikem. Výrobek nechte opravit pouze v pověřeném servisu.
- Můžete provádět v návodu k obsluze uvedené opravy a seřízení. Pro jiné opravy nebo poradenství, požádejte o pomoc autorizované servisní středisko.
- Pravidelně kontrolujte čerpadlo, hadice, přívod vody a filtry. Dbejte na to, aby hadice, přívod vody a filtry nebyly zaneseny bahnem, pískem a nečistotami. Ujistěte se, že nedošlo k žádnému poškození.
- Po každém použití seřete nástroj měkkým a suchým hadříkem. Pokud přístroj nepoužíváte, udržujte jej suchý, čistý a bez tuků a mastnot. Jakýkoliv poškozený díl je nutné správně opravit nebo nechat vyměnit v autorizovaném servisním středisku.
- Filtr čistěte pouze v případě, že dojde ke znatelnému snížení funkčnosti.
- Chcete-li vyměnit poškozené nebo nečitelné štítky, předejte zařízení do autorizovaného servisního střediska.

POZNEJTE SVŮJ NÁSTROJ

Viz strana 103.

1. Tlačítko časovače
2. Tlačítko zapnutí/vypnutí
3. Kryt baterie
4. Západka
5. Světelné kontrolky časovače
6. Pracovní osvětlení LED
7. Krytá rukojeť
8. Vývod vody
9. Šňůrka s poutkem
10. Hák na sud s vodou
11. Vlnitá vypouštěcí hadice
12. Adaptér G3/4
13. Konektor G3/4
14. Výstupní adaptér pro vlnitou vypouštěcí hadici
15. Uzamykatelná karabina výškového nastavení
16. Filtr bahna

17. Návod k obsluze
18. Filtr nečistot
19. Baterie
20. Nabíječka
21. Zahradní hadice

SYMBOLY NA VÝROBKU



Před zahájením jakékoli práce na přístroji vyjměte akumulátor.



Bezpečnostní výstraha
Před spuštěním přístroje si řádně přečtěte pokyny.



Vyvarujte se zkroucení tyče nebo spodního krytu čerpadla, když jsou prodlužovací objímky odjištěny, protože by to mohlo zamotat kabel, který je uvnitř.



Neponořujte přístroj nad sudový hák.



IPX5

Ochrana proti vniknutí nečistot do prostoru akumulátoru



IPX8

Ochrana proti vniknutí nečistot do čerpadla



1.2m

Maximální provozní hloubka



Euroasijská značka shody



Značka shody s evropskými normami



Značka shody s britskými normami



001

Značka shody s ukrajinskými normami



Nevystavujte akumulátor dešti a vlhku.

Nelikvidujte vybité baterie a elektrické a elektronické zařízení společně s netříděným komunálním odpadem. Vybité baterie a elektrický a elektronický odpad musí být shromažďovány odděleně. Vybité baterie, akumulátory a odpadní světelné zdroje musí být od zařízení odděleny. Informace o sběrných místech a recyklaci baterií vám poskytne místní úřad nebo prodejce. Podle místních nařízení mohou mít maloobchodníci povinnost brát bezplatně zpět vybité baterie, elektrický a elektronický odpad. Když budete přispívat k opětovnému použití a recyklaci vybitých baterií a elektrického a elektronického odpadu, pomůže to snížit potřebu surovin. Vybité baterie, zejména ty s obsahem lithia, elektrický a elektronický odpad obsahují cenné a recyklovatelné materiály, které mohou mít nepříznivý dopad na životní prostředí a lidské zdraví, nebudou-li zlikvidovány ekologickým způsobem. Odstraňte z odpadu osobní údaje, pokud nějaké obsahuje.



SYMBOLY V NÁVODU



Díly nebo příslušenství jsou v prodeji samostatně



Poznámka



Varování

A vezeték nélküli szivattyúzó rúd tervezése során elsődleges szempont volt a biztonság, a teljesítmény és a megbízhatóság.

RENDELTESSZERŰ HASZNÁLAT

A vezeték nélküli szivattyúzó rúd arra szolgál, hogy a medencéből, tavakból vagy tartályokból a szennyezett vagy a tisztá vizet eltávolítsa. A termék árvizek vagy nagy esőzések során felgyűlő felesleges esővíz elvezetésére használható. A termék öntözésre is használható, ha öntözőtartozékokkal párosítjuk.

A termék csak otthoni vagy házi használatra való. A termék beltéren és kültéren is használható.

Semmilyen más célra ne használja.

ÁLTALÁNOS BIZTONSÁGI FIGYELMEZTETÉSEK

- Ne hagyja, hogy gyerekek, csökkent fizikai, érzékelési vagy értelmi képességgel rendelkező személyek, vagy akiknek nincs meg a tapasztalatuk és tudásuk ehhez, vagy az utasításokat nem ismerő személyek működtessék, tisztítsák vagy karbantartsák a terméket. A helyi előírások korlátozhatják a kezelő életkorát. A gyerekekre oda kell figyelni, nehogy játsszanak a termékkel.
- Őrizze meg ezeket a figyelmeztetéseket és utasításokat a későbbi tájékozódásra is. Gyakran tekintse át a jelen utasításokat, és ezek alapján utasítsa a terméket használó személyeket. Ha kölcsönadja valakinek az eszközt, akkor a jelen utasításokat is adja kölcsön, hogy a termék helytelen használatát és az esetleges sérülést megakadályozza.
- A használat helyén ne tartózkodjon senki, különösen kisgyermek és kisállatok ne.
- Minden használat előtt vizsgálja át a gépet. Ellenőrizze a meglazult alkatrészeket, az üzemanyag-szivárgást stb. Ügyeljen rá, hogy minden a védőburkolat, terelőlemez és fogantyú megfelelően fel legyen szerelve és rögzítve. Használat előtt cserélje ki az összes sérült alkatrészt. Ellenőrizze az akkumulátor szivárgását.
- Semmilyen módon ne módosítsa a gépet vagy használjon a gyártó által nem ajánlott alkatrészeket és tartozékokat.
- Ne üzemeltesse a terméket mezítláb, vagy szandál vagy hasonló könnyű lábbeli viselésekor. Viseljen lábfejét óvó és a csúszós talajon biztosabb állást biztosító védőlábbelit.
- Vigyázzon, nehogy megcsússzon és elessen.

- Bekapcsolt állapotban soha tegye a kezét a termék be- és kimeneteibe.
- Ne szerelje fel a terméket robbanásveszélyes környezetben vagy gyúlékony anyagok közelében, illetve ne üzemeltesse ilyenekben.
- Ne használja a terméket, ha a kapcsoló nem kapcsolja ki a terméket. A kapcsolót hivatalos szervizközpontban cseréltesse ki.
- Kapcsolja ki a terméket, vegye ki az akkumulátort, és hagyja a terméket lehűlni. Ellenőrizze, hogy minden mozgó rész teljesen megállt:
 - szervizelés előtt
 - az eltömődés eltávolítása előtt
 - ellenőrzés, karbantartás vagy a gépen végzett bármilyen művelet megkezdése előtt;
 - kiegészítők cseréje előtt
 - mielőtt magára hagyná a terméket
 - karbantartás végzésekor
- Baleset vagy üzemzavar esetén azonnal kapcsolja ki és vegye ki az akkumulátort. Ne használja a készüléket, amíg teljesen ét nem vizsgálták egy hivatalos szervizközpont

AKKUMULÁTOROS SZERSZÁMGÉP HASZNÁLATA ÉS KARBANTARTÁSA

- Csak a gyártó által megadott töltővel töltsen az akkumulátorokat. Egy adott akkumulátortípushoz való töltő egy másik típusú akkumulátorral való használata tűzveszélyes lehet.
- A terméket csak a hozzá való akkumulátorral használja. Más akkumulátor használata tűzveszélyt, áramütést vagy személyi sérüléseket eredményezhet.
- Ne használjon sérült vagy átalakított akkumulátort vagy terméket. A sérült vagy átalakított akkumulátor előre nem látható módon üzemelhet, ami tüzet, robbanást, más kockázatot vagy sérülést okozhat.
- Ne tegye ki az akkumulátort vagy terméket tűznek vagy magas hőmérsékletnek. A tűznek vagy a 130°C feletti hőmérsékletnek való kitettség robbanást okozhat.
- Az akkumulátort használaton kívül tartsa távol más fém tárgyaktól, úgymint gemkapcsoktól, érméktől, kulcsoktól, szögektől, csavaroktól vagy más kisméretű fém tárgyaktól, amelyek rövidre zárhatják a két érintkezőt. Az akkumulátor érintkezőinek rövidre zárása tüzet vagy égéseket okozhat.
- Helytelen körülmények között folyadék léphet ki az akkumulátorból. Ehhez ne érjen

EN

FR

DE

IT

ES

NL

PT

DA

SV

FI

NO

RU

PL

CS

HU

RO

LV

LT

ET

HR

SL

SK

BG

UK

TR

hozzá. Ha mégis érintkezik vele, öblítse le vízzel. Ha a folyadék szembe kerül, forduljon orvoshoz. Az akkumulátorból kifolyt folyadék irritációt vagy égéseket okozhat.

A VEZETÉK NÉLKÜLI SZIVATTYÚZÓ RÚD BIZTONSÁGI FIGYELMEZTETÉSEI

- Győződjön meg róla, hogy a termék felszerelése közben az akkumulátor nincs benne.
- Ne merítse el a terméket a vízemelő dob horga fölötti szintig. A víz bejuthat az elektronikus alkatrészekbe és/vagy az akkumulátorba, ami rövidzárlatot, nagyobb tűzveszélyt és súlyos személyi sérülést okozhat.
- Győződjön meg róla, hogy a szűrő biztonságosan rögzítve legyen, és, a vízemelő dob horga rögzítve legyen, ha használni kívánja.
- Győződjön meg róla, hogy egyik csatlakozó sem szivárog. A csatlakozó meneténel használjon menettömítő szalagot vagy megfelelő tömítőszert.
- A menetes csatlakozók meghúzása során ne fejtsen ki túl nagy erőt, ami kárt okozhat.
- Ne használja a terméket korrozív, koptató hatású, robbanásveszélyes vagy egyéb veszélyt jelentő folyadékhhoz. A víztől eltérő folyadékok megsérítik a terméket, tűzveszélyt okozhatnak, és a kezelő személyi sérülést szenvedhet.
- Ne használja a terméket ivóvízzel.
- Ne működtesse a terméket folyadék nélkül. Ne üzemeltesse a terméket szárazon.
- Ne használja a terméket, amikor a vízben emberek tartózkodnak.
- Ne távolítsa el a tömlőt, amikor a termék még működik.
- A folyadék szennyeződhet a kenőanyagok szivárgása miatt.
- A termékből kifolyó víz benedvesítheti a talajt, és az csúszóssá válhat. Mindenképpen takarítsa el a kifolyt vizet a termék üzemeltetése után.
- Ne folyassa ki a vizet elektromos vagy nagyfeszültségű berendezéseket, aktív vegyszereket, illetve vízzel keveredve veszélyes tárgyakat vagy anyagokat tartalmazó területre.
- Tartsa biztonságosan a terméket ott, ahol a formázott fogantyú van. Mindig használja a csuklózsínőrt, kivéve, ha a dobon lévő horgot használja. Használat közben ne hagyja a terméket felügyelet nélkül. Győződjön meg róla, hogy a termék nem tud eldőlni.

- Ne tegye ki az akkumulátorrekesz belsejét esőnek vagy nedves körülményeknek. A termék csak akkor vízálló, ha az elemtartó zárt, reteselt és sérülésmentes. Ha a termékbe víz kerül, az növeli az áramütés kockázatát.

AZ AKKUMULÁTOR KIEGÉSZÍTŐ BIZTONSÁGI FIGYELMEZTETÉSEI

A rövidzárlat általi tűz, sérülések vagy termékkárosodások veszélye elkerülésére ne merítse a szerszámot, a cserélhető akkut vagy a töltőkészüléket folyadékokba, és gondoskodjon arról, hogy ne hatoljanak folyadékok a készülékekbe és az akkukba. A korrozív hatású vagy vezetőképes folyadékok, mint pl. a sós víz, bizonyos vegyi anyagok, fehérítők vagy fehérítő tartalmú termékek, rövidzárlatot okozhatnak.

SZÁLLÍTÁS ÉS TÁROLÁS

- Tárolás vagy szállítás előtt kapcsolja ki a terméket, vegye ki az akkucsomagot és hagyja kihűlni.
- Tárolás előtt alaposan tisztítsa meg a terméket. A felesleges vizet a termék teljes kinyitásával távolítsa el. A terméket függőleges helyzetben és egészen kinyitott állapotban tárolja, hogy a víz teljesen kifolyjon. A terméket száraz, jól szellőző és gyermekektől elzárt helyen tárolja. A terméket tartsa távol a korrodáló szerektől, például kerti vegyszerektől vagy a jégmentesítő sótól. Ne hagyja a terméket fagyos időben a szabadban.
- Szállításkor rögzítse a terméket elmozdulás és leesés ellen, hogy elkerülje a sérüléseket és a termék sérülését.

LÍTIUM AKKUMULÁTOROK SZÁLLÍTÁSA

Az akkumulátorokat a helyi és nemzeti előírásokkal és szabályokkal összhangban szállítsa.

Az akkumulátorok külső fél általi szállításakor kövesse a csomagolásra és a címkézésre vonatkozó speciális előírásokat. Ügyeljen arra, hogy az akkumulátorok ne érhessenek más akkumulátorokhoz vagy vezető anyagokhoz szállítás közben; ehhez a szabadon maradt csatlakozókat védje szigetelő fedéllel vagy szalaggal. Ne szállítson repedt vagy szivárgó akkumulátorokat. További információért vegye fel a kapcsolatot a továbbítást végző céggel.

KARBANTARTÁS

- Csak a gyártó eredeti cserealkatrészeit, tartozékait és szerelékeit használja. Ennek figyelmen kívül hagyása gyenge

motorteljesítményt, esetleges sérülést és a jótállás elvesztését okozhatja.

- szervizelés különös figyelmet és hozzáértést igényel, és csak szakképzett szerelő végezheti el. A terméket csak engedéllyel rendelkező szervizben javíttassa.
- A használati útmutatóban leírt beállításokat és javításokat Ön is elvégezheti. További javításokért vagy tanácsért kérjen segítséget egy hivatalos szervizközpontban.
- Rendszeresen ellenőrizze a szivattyút, a tömlőket, a vízbemenetet és a szűrőket. Győződjön meg róla, hogy a tömlők, a vízbemenet és a szűrők sár, homok és törmelékektől mentesek. Biztosítsa, hogy ne legyenek sérülések.
- Minden egyes használat után egy puha, száraz ruhával tisztítsa meg a terméket. Használaton kívül tartsa a terméket tisztán, szárazon, és olajtól, illetve kenőanyagtól mentesen. A sérült alkatrészeket egy hivatalos szervizközpontban kell megjavíttatni vagy kicseréltetni.
- A szűrőt csak akkor tisztítsa meg, ha a termék teljesítménye észrevehetően csökken.
- A sérült vagy olvashatatlan címkék cseréjéhez vigye vissza a terméket egy hivatalos szervizközpontba.

ISMERJE MEG A TERMÉKET

Lásd 103. oldal.

1. Időzítő gomb
2. Be/ki kapcsológomb
3. Akkumulátor fedél
4. Retesz
5. Időzítő jelzőfényei
6. LED-munkalámpák
7. Formázott fogantyú
8. Víz kimenete
9. Csuklózsinór
10. Vízemelő dob horga
11. Redőzött ürítőtömlő
12. G3/4 adapter
13. G3/4 csatlakozó
14. A redőzött ürítőtömlő kimeneti átalakítója
15. Magasságbeállító csavarzárak
16. Sárszűrő
17. Kezelői kézikönyv
18. Törmelékiszűrő
19. Akkumulátor
20. Töltő
21. Kerti tömlő

SZIMBÓLUMOK A TERMÉKEN



A terméken végzett bármilyen munkát elötte vegye ki az akkumulátort



Biztonsági figyelmeztetés
A gép bekapcsolása előtt figyelmesen olvassa el az útmutatót.



Ne csavarja meg a rudat és a szivattyúház alját a toldógallérok kioldása során, mivel ilyenkor a kábel a ház belsejében elakadhat.



Ne merítse el a terméket a vízemelő dob horga fölötti szintig.



Akkumulátortér behatolásvédelme



Szivattyúfej behatolásvédelme



Legnagyobb működési mélység



Eurázsiai megfelelési jelzés



Európai megfelelési jelölés



Brit megfelelési jelölés



Ukrán megfelelési jelölés



Ne tegye ki az akkumulátort esőnek vagy nedves körülményeknek.

Az akkumulátorok, valamint az elektromos és elektronikus berendezések hulladékait ne dobja a válogatatlan települési hulladékok közé. Az akkumulátorok, valamint az elektromos és elektronikus berendezések hulladékait elkülönítve gyűjtse. A hulladékká vált elemeket, akkumulátorokat és fényforrásokat vegye ki a berendezésből. A helyi hatóságoktól vagy a forgalmazótól kérhet információt az újrahasznosításról, illetve arról, hogy hol található gyűjtőpont. A helyi szabályozások szerint a kereskedők kötelesek lehetnek ingyen visszavenni az akkumulátorok, illetve az elektromos és elektronikus berendezések hulladékait. A hozzájárulása az akkumulátorok, illetve az elektromos és elektronikus berendezések hulladékainak újrafelhasználásához és újrafeldolgozásához segít csökkenteni a nyersanyagok iránti keresletet. Különösen a lítiumot tartalmazó akkumulátorok, illetve az elektromos és elektronikus berendezések hulladékai értékes és újrafeldolgozható anyagokat tartalmaznak, amelyek káros hatással lehetnek a környezetre és az emberi egészségre, ha nem környezetbarát módon kezelik őket. A hulladékká vált berendezésből szükség esetén törölje a személyes adatokat.



A KÉZIKÖNYVBEN HASZNÁLT SZIMBÓLUMOK



Külön értékesített alkatrészek és kiegészítők



Megjegyzés



Figyelem

Siguranța, performanța și fiabilitatea au constituit principalele noastre preocupări la proiectarea pompei tubulare fără fir.

UTILIZARE PREVĂZUTĂ

Pompa fără fir tubulară este concepută pentru scoaterea apei murdare sau curate din iazuri, bălți sau din rezervoare. Produsul este utilizat și pentru evacuarea apei pluviale sau a apelor în timpul inundațiilor. Produsul poate fi utilizat și pentru irigații când este dotat cu accesorii pentru udare.

Produsul este destinat exclusiv pentru uz casnic sau domestic. Produsul poate fi utilizat atât în interior cât și în exterior.

Nu folosiți în alte scopuri.

AVERTISMENTE GENERALE PRIVIND SIGURANȚA

- Nu lăsați niciodată copiii, persoanele cu capacități fizice, senzoriale sau mintale reduse sau cu lipsă de experiență și cunoștințe sau persoanele nefamiliarizate cu aceste instrucțiuni să folosească produsul. Reglementările locale pot restricționa vârsta operatorului. Copiii trebuie să fie supravegheați adecvat pentru a vă asigura că nu se joacă cu produsul.
- Păstrați aceste avertismente și instrucțiuni, pentru a le putea consulta ulterior. Consultați-le frecvent și utilizați-le pentru a instrui alte persoane care utilizează produsul. Dacă împrumutați cuiva produsul, însoțiți-l și de aceste instrucțiuni, pentru a preveni utilizarea incorectă a produsului și eventuale vătămări.
- Asigurați-vă că în zonă să nu pătrundă nicio persoană, în special copii mici și animale de companie.
- Inspectați aparatul înainte de fiecare folosire. Verificați dacă există șuruburi slăbite, scurgeri de combustibil etc. Asigurați-vă că toate dispozitivele de protecție și mânerul sunt fixate corect și strâns. Înlocuiți toate piesele deteriorate înainte de utilizare. Verificați dacă există scurgeri la nivelul acumulatorului.

- Nu modificați mașina în niciun fel sau să folosiți părți și accesorii ce nu sunt recomandate de către producător.
- Nu utilizați unealta cu picioarele goale sau când purtați sandale deschise sau altă încălțăminte ușoară. Purtați încălțăminte de protecție care vă va proteja picioarele și vă va îmbunătăți mersul pe suprafețe alunecoase.
- Manevrați pistolul cu atenție, pentru a evita alunecarea sau căderea.
- Evitați să băgați mâinile în deschiderile de admisie/evacuare ale produsului în timp ce acesta este în funcțiune.
- Nu instalați și nu operați produsul în mediu exploziv sau în vecinătatea materialelor inflamabile.
- Nu utilizați produsul dacă butonul „oprit” nu reușește să oprească produsul. Butonul trebuie înlocuit într-un centru service autorizat.
- Opriți echipamentul, scoateți acumulatorul și lăsați produsul să se răcească. Asigurați-vă că toate piesele mobile s-au oprit complet:
 - înainte de efectuarea reparațiilor
 - înainte de a îndepărta un obiect ce a determinat un blocaj
 - înainte de a verifica, curăța sau lucra asupra produsului
 - înainte de a schimba accesorii
 - înainte de a lăsa produsul nesupravegheat
 - în timpul lucrărilor de întreținere a produsului
- Opriți imediat mașina și îndepărtați acumulatorul în caz de accident sau defecțiune. Nu utilizați din nou produsul înainte de a realiza o verificare completă, la un centru de service autorizat.

FOLOSIREA ȘI ÎNTREȚINEREA MAȘINII CU ACUMULATOR

- Reîncărcați numai cu încărcătorul specificat de producător. Un încărcător destinat unui anumit tip de acumulator este folosit la încărcarea altor acumulatori există pericolul de incendii.
- Utilizați numai acumulatori special concepuți pentru produs. Utilizarea unui alt acumulator poate produce un risc de incendiu, de electrocutare sau de vătămare a persoanelor.

- Nu utilizați un acumulator sau produs deteriorat sau modificat. Acumulatorii deteriorați sau modificați au un comportament imprezizibil și prezintă pericol de incendiu, explozie sau accidentare.
- Nu expuneți acumulatorul sau produsul la foc sau temperaturi excesive. Expunerea la foc sau temperaturi peste 130°C prezintă pericol de explozie.
- Atunci când acumulatorul nu este în uz, păstrați-l departe de alte obiecte metalice, cum ar fi agrafe de birou, monede, chei, cuie, șuruburi sau alte obiecte metalice mici, care pot face o conexiune de la o bornă la alta. Scurtcircuitarea bornelor bateriei poate provoca arsuri sau incendiu.
- În condiții de utilizare abuzivă, se poate scurge electrolit din acumulator. Evitați contactul. În cazul unui contact accidental, spălați cu apă. În cazul contactului cu ochii, consultați suplimentar un medicul. Lichidul care iese din acumulator poate provoca iritații sau arsuri.

AVERTISMENTE DE SIGURANȚĂ PENTRU POMPA TUBULARĂ FĂRĂ FIR

- Asigurați-vă că acumulatorul este scos din compartimentul lui când instalați produsul.
- Nu scufundați produsul astfel încât apa să depășească cârligul carcasei. Apa poate pătrunde în componentele electronice și/ sau în acumulator ceea ce poate duce la scurtcircuit, risc crescut de incendiu și vătămări corporale grave.
- Asigurați-vă că filtrul este prins în mod sigur și că rezervorul de apă este fixat, dacă urmează să utilizați pompa.
- Asigurați-vă că toate conexiunile sunt etanșe și nu prezintă scurgeri. Utilizați pentru filet o garnitură de etanșare tip bandă sau o garnitură de etanșare adecvată pentru racordul filetat.
- Când strângeți racordurile cu filet, nu aplicați o forță excesivă întrucât se pot cauza defecțiuni.
- Nu folosiți produsul cu lichide periculoase, explozive, abrazive sau corozive. Alte fluide

decât apa pot genera pericol de incendiu și pot cauza rănirea fizică gravă a operatorului.

- A nu se utiliza produsul cu apă potabilă.
- Nu puneți în funcțiune produsul fără lichid. Nu lăsați pompa să funcționeze în gol.
- Nu folosiți produsul când sunt în apă persoane.
- Nu scoateți furtunul cât pompa este încă în funcțiune.
- Este posibil să se polueze lichidul datorită scurgerii de lubrifianți.
- Apa evacuată de la produs poate face ca solul să devină umed și alunecos. Asigurați-vă să curățați produsul de apă după utilizare.
- Nu evacuați apa în zone cu elemente electrice sau sub tensiune înaltă, cu substanțe chimice active sau cu alte obiecte sau substanțe care pot deveni periculoase în combinație cu apa.
- Țineți produsul ferm, de mânerul ergonomic, dacă acesta este în dotare. Purtați întotdeauna șnurul în jurul încheieturii mâinii, cu excepția faptului când se utilizează cârligul de pe carcasă. Nu lăsați produsul nesupravegheat când este în funcțiune. Asigurați-vă că produsul nu se răstoarnă.
- Nu expuneți interiorul compartimentului acumulatorului la intemperii sau umezeală. Produsul este impermeabil numai când compartimentul acumulatorului este închis, blocat și nu este deteriorat. Apa care se infiltrează în produs crește riscul de electrocutare.

AVERTISMENTE SUPPLEMENTARE PRIVIND SIGURANȚA LA UTILIZAREA BATERIILOR

Pentru a reduce riscurile de incendiu, accidentare și deteriorare a produsului în urma unui scurtcircuit, nu scufundați niciodată produsul, acumulatorul sau încărcătorul în lichide și nici nu permiteți pătrunderea lichidelor în interiorul acestora. Lichidele corosive sau cu conductibilitate, precum apa sărată, anumite substanțe chimice și înalbitori sau produse ce conțin înalbitori, pot provoca un scurtcircuit.

TRANSPORTAREA ȘI DEPOZITAREA

- Opriți echipamentul, scoateți acumulatorul și lăsați să se răcească atât echipamentul cât și acumulatorul înainte de transport sau depozitare.
- Curățați amănunțit produsul înainte de a-l depozita. Scoateți apa în exces prin extinderea completă a produsului. Depozitați produsul pe vertical și extins complet pentru a se scurge complet apa din el. Depozitați produsul într-o zonă bine ventilată, uscată, departe de accesul copiilor. Păstrați produsul la distanță de agenți corozivi, precum substanțe chimice de grădiniță și săruri de dezghețare. Nu lăsați produsul în aer liber în condiții de îngheț.
- Pentru transportare, fixați produsul să nu se miște sau cadă pentru a preveni vătămarea persoanelor sau deteriorarea produsului.

TRANSPORTAREA BATERIILOR DE LITIU.

Transportați bateriile în conformitate cu prevederile și reglementările locale și naționale.

Urmați toate cerințele speciale privind împachetarea și etichetarea atunci când transportați baterii către un terț. Asigurați-vă că nicio baterie nu poate să intre în contact cu alte baterii sau materiale conductive în timpul transportului prin protejarea conectorilor expuși cu bandă, capace izolatoare neconductive. Nu transportați bateriile ce sunt crăpate sau care au scurgeri. Verificați cu firma transportatoare pentru recomandări ulterioare.

ÎNTREȚINERE

- Folosiți doar piese de schimb, accesorii și atasamente originale ale producătorului. Neurmarea acestora poate cauza posibilă vătămare, slaba funcționare și ar putea anula garanția.
- Service-ul necesită atenție și cunoștințe deosebite și trebuie îndeplinit doar de către un tehnician service calificat. Duceți produsul la reparații numai într-un centru service autorizat.

- Puteți face reglaje și reparații descrise în acest manual de instrucțiuni. Pentru alte reparații sau sfaturi, căutați asistență din partea unui centru service autorizat.
- Periodic verificați pompa, furtunurile, admisia și filtrele. Asigurați-vă că furtunurile, admisia și filtrele nu sunt înfundate cu nămol, nisip sau deșeuri. Asigurați-vă că nu există defecțiuni.
- După fiecare folosire curățați produsul cu o cârpă moale și uscată. Țineți exteriorul echipamentului uscat, curat și fără urme de ulei și unsoare, când nu este în funcțiune. Orice piesă deteriorată trebuie să fie reparată în mod corespunzător sau înlocuită de un service autorizat.
- Curățați filtrul numai când există un declin observabil în funcționare.
- Duceți produsul la un centru service autorizat pentru a înlocui etichetele deteriorate sau ilizibile.

CUNOAȘTEȚI-VĂ PRODUSUL

Vezi pagina 103.

1. Buton temporizator
2. Buton pornire/oprire
3. Capacul acumulatorului
4. Element de blocare
5. Indicatoare temporizator
6. LED-uri operare
7. Mâner ergonomic
8. Racord de ieșire apă
9. Bandă de prindere la încheietura mâinii
10. Cârligul rezervorului de apă
11. Furtun de evacuare din material ondulat
12. Adaptor G3/4
13. Racord G3/4
14. Adaptor extern pentru furtunul de evacuare din material ondulat
15. Elemente de fixare pentru ajustarea înălțimii
16. Filtru de noroi
17. Manualul de operare
18. Filtru pentru deșeuri
19. Acumulator
20. Încărcător
21. Furtun de grădiniță

SIMBOLURILE DE PE PRODUS.



Decuplați acumulatorul înainte de a realiza orice fel de operație de întreținere sau reparație asupra produsului.



Avertizare de siguranță
Vă rugăm citiți instrucțiunile cu atenție înainte de pornirea aparatului.



Evitați să inversați polii sau să întoarceți carcasa cu susul în jos când inelele de extensie sunt nefixate, întrucât se poate să fie prins cablul în interior.



Nu scufundați produsul astfel încât apa să depășească cârligul carcasei.



IPX5

Protecție IP la compartimentul acumulatorului



IPX8

Protecție IP la capul pompei



1,2m

Adâncime maximă de operare



Marcaj de conformitate EurAsian



Marcajul european de conformitate



Marcajul britanic de conformitate



Marcajul ucrainian de conformitate



Nu expuneți acumulatorul la intemperii sau umezeală.



A nu se arunca deșeurile de echipamente electronice și electrice și bateriile epuizate la gunoiul menajer. Deșeurile formate din echipamente electrice și electronice și bateriile epuizate trebuie colectate separat. Sursele de iluminare, bateriile și acumulatorii epuizați trebuie scoase din aceste echipamente. Adresați-vă autorităților sau distribuitorilor locali pentru a afla informații despre punctele de colectare. Conform reglementărilor naționale, vânzătorii cu amănuntul au obligația de a colecta bateriile epuizate, deșeurile de echipament electric și electronic, gratuit. Contribuția dvs. la reciclarea și reutilizarea bateriilor, a echipamentelor electrice și electronice ajută la reducerea cererii de materii prime. Bateriile epuizate, în special cele cu litiu, deșeurile formate din echipamente electrice și electronice conțin materiale reciclabile valoroase, care pot avea o influență negativă asupra mediului înconjurător și asupra sănătății umane, dacă nu sunt eliminate într-o manieră ecologică. Ștergeți datele personale din echipamentul deșeu, dacă este cazul.

SIMBOLURI DIN ACEST MANUAL



Piese sau accesorii vândute separat



Notă



Avertisment

Radot jūsu akumulatora kāta sūkni, drošībai, veiktspējai un uzticamībai ir pievērsta vislielākā vērība.

PAREDZĒTAIS LIETOJUMS

Akumulatora kāta sūknis ir paredzēts tīra vai netīra ūdens pārsūkņēšanai no baseiniem, dīķiem vai tvertņēm. Produktu var izmantot izmantots arī plūdu ūdens novadīšanai vai liekā lietus ūdens kontrolei plūdu laikā. Produktu var izmantot arī apūdeņošanai, ja tas ir savienots ar laistīšanas piederumiem.

Produkts ir paredzēts lietošanai tikai mājās vai māsaimniecībā. Produktu var izmantot telpās vai ārpus tām.

Nelietojiet citiem mērķiem.

VISPĀRĪGIE DROŠĪBAS BRĪDINĀJUMI

- Nekad neļaujiet bērniem, cilvēkiem ar samazinātām fiziskajām spējām, maņu vai garīgiem traucējumiem, vai cilvēkiem ar pieredzes un zināšanu trūkumu, vai cilvēkiem, kuri nav iepazinušies ar instrukcijām, izmantot šo ierīci. Vietējie noteikumi var ierobežot lietotāja vecumu. Nepieciešams pienācīgi uzmanīt bērnus, lai nodrošinātu, ka tie nespēlējās ar ierīci.
- Brīdinājumus un instrukcijas saglabāiet turpmākai uzziņai. Regulāri tās pārlasiet un izmantojiet, lai sniegtu norādes citiem, kas var lietot šo produktu. Ja kādam aizdodat šo produktu, tad iedodiet arī šīs instrukcijas, lai izvairītos no produkta nepareizas lietošanas un potenciālās traumas.
- Nodrošiniet, ka darba zonā neatrodas citas personas, it īpaši mazi bērni, un mājdzīvnieki.
- Pirms katras lietošanas reizes pārbaudiet ierīci. Pārbaudiet vai nav vaļīgu stiprinājumu, degvielas sūču utt. Pārbaudiet, vai visi aizsargi un rokturi ir pareizi un stingri piestiprināti. Pirms lietošanas nomainiet visas bojātās detaļas. Pārbaudiet sūces akumulatora komplektā.
- Nepārveidojiet ierīci un nelietojiet detaļas un aksesuārus, kurus nav ieteicies ražotājs.
- Nelietojiet produktu, ja kājās nav apavu vai valkājāt atvērtas sandales, vai līdzīgus atvērtus apavus. Valkājiet neslīdošus aizsargājošus apavus, kas aizsargās jūsu pēdas un uzlabos pārvietošanos pa slidenām virsmām.
- Ievērojiet piesardzību, lai izvairītos no paslīdēšanas vai krišanas.

- Izvairieties no roku ievietošanas produkta ieplūdes/izplūdes atverēs, kamēr tas ir ieslēgts.
- Neuzstādi un neizmantojiet produktu sprādzienbīstamā vidē vai uzliesmojošu materiālu tuvumā.
- Neizmantojiet produktu, ja izslēgšanas slēdzis to neizslēdz. Veiciet slēdža nomaiņu tikai pilnvarotā servisa centrā.
- Izslēdziet produktu, noņemiet akumulatoru bloku un ļaujiet produktam atdzist. Pārlicinieties, ka visas kustīgās daļas ir pilnīgi apstājušās:
 - pirms sākt apkopi
 - pirms nosprostojumu tīrīšanas
 - pirms iekārtas pārbaudes, tīrīšanas vai labošanas
 - pirms papildaprīkojuma nomaiņas
 - pirms atstāt izstrādājumu bez uzraudzības
 - ikreiz, kad veicat apkopi
- Negadījumu vai saplīšanas gadījumā nekavējoties izslēdziet un noņemiet akumulatora bloku. Neizmantojiet izstrādājumu līdz tas nav pilnībā pārbaudīts pilnvarotā servisa centrā.

AR AKUMULATORU DARBINĀMU IERĪCU LIETOŠANA UN KOPŠANA

- Uzlādējiet tikai ar ražotāja noteikto lādētāju. Lādētājs, kas paredzēts lietošanai ar viena veida akumulatoru, var būt ugunsnedrošs, ja to izmanto ar citu akumulatoru.
- Izmantojiet akumulatoru blokus, kas īpaši paredzēti šim produktam. Jebkura cita akumulatora lietošana var radīt ugunsgrēku, elektriskā trieciena vai ievainojumu risku.
- Neizmantojiet akumulatoru bloku vai produktu, kas ir bojāts vai pārveidots. Bojāts vai pārveidots akumulatoru bloks var izraisīt neparedzamu darbību, kas var izraisīt uzliesmošanu, sprādzienu vai ievainojumu risku.
- Nepakļaujiet akumulatoru bloku vai produktu liesmu vai paaugstinātas temperatūras iedarbībai. Pakļaujot liesmām vai paaugstinātai temperatūrai virs 130°C var izraisīt sprādzienu.
- Kad nelietojat akumulatoru, neturiet to citu metāla priekšmetu tuvumā, piemēram: papīra saspauces, monētas, atslēgas, naglas, skrūves vai citi sīki metāla priekšmeti, kas var veidot savienojumu starp spailēm. Akumulatora spaiļu īsslēgums var radīt aizdegšanos vai ugunsgrēku.
- Nelabvēlīgos apstākļos no akumulatora var tikt izspiests šķidrums. Izvairieties no saskarsmes

ar to. Nejaušas saskares gadījumā skalojiet skarto vietu ar ūdeni. Ja šķidrums iekļūst acīs, nekavējoties meklējiet medicīnisko palīdzību. No akumulatora izkļuvis šķidrums var izraisīt kairinājumu vai apdegumus.

AKUMULATORA KĀTA SŪKŅA DROŠĪBAS BRĪDINĀJUMI

- Uzstādot produktu, nodrošiniet, ka akumulatoru bloks ir izņemts no akumulatora nodalījuma.
- Neiegremdējiet produktu dziļāk par ūdens tvertnes āķa vietu. Ūdens var iekļūst elektroniskajās komponentēs un/vai akumulatoru blokos, kas var izraisīt īssavienojumu, paaugstinātu aizdegšanās risku un smagus ievainojumus.
- Pārlicinieties, ka filtrs ir nostiprināts un, ja paredzēts izmantot, ūdens mucas āķis ir piestiprināts.
- Nodrošiniet, ka nevienam savienojumam nav noplūdes. Uz savienojuma vītnes izmantojiet vītņu blīvējamo lentu vai piemērotu blīvējamo materiālu.
- Pievelkot vītņu savienojumus, lūdzu, neizmantojiet pārmērīgu spēku, kas var izraisīt bojājumus.
- Neizmantojiet produktu korozīviem, abrazīviem, sprādzienbīstamiem vai bīstamiem šķidrumiem. Šķidrums, kas nav ūdens, rada produkta bojājumus, var radīt ugunsgrēka briesmas un var izraisīt ievainojumus lietotājam.
- Neizmantojiet produktu dzeramā ūdens sūkņēšanai.
- Neizmantojiet produktu bez šķidruma. Neļaujiet produktam strādāt bez ūdens.
- Neizmantojiet produktu, ja ūdenī ir cilvēki.
- Nenoņemiet šļūteni, kamēr produkts joprojām darbojas.
- Šķidruma piesārņojums var rasties smērvielu noplūdes dēļ.
- No produkta izplūstošais ūdens var izraisīt pamatnes samirkšanu un slīdēšanu. Pēc produkta lietošanas nodrošiniet, ka izsūkņētais ūdens ir tīrs.
- Neveiciet ūdens izsūkņēšanu uz vietām ar elektriskiem vai augstsprieguma elementiem, aktīvām ķīmikālijām vai citiem priekšmetiem vai vielām, kas var radīt briesmas, nonākot saskarē ar ūdeni.
- Kārtīgi turiet produktu roktura vietā ar pārkļājumu. Vienmēr lietojiet rokas aproci, izņemot gadījumus, kad tiek izmantots

tvertnes āķis. Lietošanas laikā neatstājiet produktu bez uzraudzības. Pārlicinieties, ka produkts nevar apgāzties.

- Nepakļaujiet akumulatoru bloka nodalījuma iekšpusi lietus vai mitriem apstākļiem. Produkts ir ūdensizturīgs tikai tad, kad akumulatora nodalījums ir aizvērts, noslēgts un bez bojājumiem. Ūdens, kas iekļuvis produktā palielina elektrotraumu risku.

PAPILDU AKUMULATORU BLOKA DROŠĪBAS BRĪDINĀJUMI

Lai samazinātu aizdegšanās, ievainojumu un produkta bojājumu risku, kas radies īssavienojuma rezultātā, nekad neiemērciet produktu, akumulatoru bloku vai lādētāju šķidrumā vai nepieļaujiet šķidruma ieplūšanu tajos. Koroziju izraisoši vai vadītspējīgi šķidrums, piemēram, sālsūdens, noteiktas ķīmikālijas, balinātāji vai produkti, kas satur balinātājus, var izraisīt īssavienojumu.

TRANSPORTĒŠANA UN UZGLABĀŠANA

- Pirms produkta novietošanas glabāšanai vai transportēšanas, izslēdziet to, noņemiet akumulatoru bloku un ļaujiet tam atdzist.
- Kārtīgi notīriet izstrādājumu pirms glabāšanas. Izsūkņējiet lieko ūdeni, pilnībā izvelkot produktu. Glabājiet produktu stāvus un pilnīgi izvērstu, lai pilnīgi notecinātu ūdeni. Glabājiet produktu sausā, labi vēdināmā vietā, kas nav pieejama bērniem. Sargiet izstrādājumu no korozīvām vielām, piemēram, dārza ķīmikālijām un pretapledošanas sāls. Neatstājiet produktu ārpus telpām sasaldēšanas apstākļos.
- Transportējot, nostipriniet precī, lai tā nekustētos vai nenokristu, lai novērstu personu savainojumus vai bojājumus precei.

LITĪJA BATERIJU TRANSPORTĒŠANA

Transportējiet baterijas saskaņā ar vietējiem un valsts noteikumiem un regulām.

Ievērojiet visas īpašās prasības saistībā ar iepakojumu un marķēšanu, transportējot trešās puses baterijas. Nodrošiniet, ka baterijas transportā nevar nonākt saskarē ar citām baterijām vai vadītspējīgiem materiāliem, aizsargājot atklātos savienotājus ar nevadošiem izolācijas vāciņiem vai lentēm. Netransportējiet ieplaisājušas baterijas vai baterijas, kurām ir noplūde. Lūdziet padomu kravu pārvadāšanas uzņēmumam.

APKOPE

- Lietojiet tikai oriģinālās ražotāja rezerves daļas, piederumus un uzgaļus. Pretējā gadījumā var tikt radīti ievainojumi un parādīts slikts sniegums, kā arī var tikt anulēta garantija.
- Aptarnavimā atlikti būtina itin atdžiai, todėl rekomenduojame, kad techninę apžiūrą vykdytų kvalifikuotas specialistas. Veiciet apkalpošanu tikai pilnvarotā servisa centrā.
- Daudzus šajā lietotāja rokasgrāmātā aprakstītos regulēšanas un remontdarbus varat veikt pats. Cita veida remontam vai konsultācijām, vērsieties pēc padoma autorizētā servisa centrā.
- Periodiski pārbaudiet sūkni, šļūtenes un ūdens iepļūdi un filtrus. Nodrošiniet, ka šļūtenēs un ūdens iepļūdē un filtrus nav dubļi, smiltis un netīrumi. Nodrošiniet, ka nav bojājumu.
- Pēc katras lietošanas reizes notīriet precī ar mīkstu, sausu drāniņu. Kad produkts netiek lietots, uzturiet tā ārpusi sausu, tīru, noslaukiet eļļas un smērvielas. Jebkura bojāta detaļa jānodod remontam vai nomaiņai pilnvarotā apkopes centrā.
- Izfīrēt filtru tikai tad, kad rodas pamanāma darbības pasliktināšanās.
- Nesiet precī uz pilnvarotu pakalpojumu centru, lai nomaiņtu bojātos vai nesalasāmās uzlīmes.

PAZĪSTIET SAVU IERĪCI

Skatīt 103. lappusi

1. Taimera poga
2. Ieslēgšanas/izslēgšanas poga
3. Akumulatora vāks
4. Fiksators
5. Taimera indikators
6. LED darba apgaismojums
7. Rokturis ar satvēriena pārklājumu
8. Ūdens izplūde
9. Rokas saite
10. Ūdens mucas āķis
11. Gofrētā izvadišanas šļūtene
12. G3/4 adapteris
13. G3/4 savienotājs
14. Izvada adapteris gofrētai izlādes šļūtenei
15. Augstuma regulēšanas pagriežamie aizslēgu
16. Dubļi filtrs
17. Lietotāja rokasgrāmata
18. Gružu filtrs
19. Akumulators
20. Lādētājs
21. Dārza šļūtene

UZ PRECES ESOŠIE SIMBOLI



Neņemiet akumulatoru bloku, pirms uzsākt jebkādas apkopes darbus.



Drošības brīdinājums
Pirms iedarbināt mašīnu, lūdzu rūpīgi izlasiet instrukcijas.



Izvairieties no kāta vai sūkņa apakšējā korpusa griešanas, atvienojot pagarinājuma atlokus, jo tā var iespiest vadu, kas atrodas iekšpusē.



Neiegremdējiet produktu dziļāk par ūdens tvertnes āķa vietu.



IPX5

Akumulatora nodalījuma aizsardzības klase



IPX8

Sūkņa galvas aizsardzības klase



1.2m

Maksimālais darba dziļums



EurAsian atbilstības marķējums



Eiropas atbilstības zīme



Lielbritānijas atbilstības zīme



001

Ukrainas atbilstības zīme



Nepakļaujiet akumulatoru bloku lietošanai vai mitriem apstākļiem.

Neizmetiet akumulatoru atkritumus kā nešķirotus sadzīves atkritumus. Akumulatoru atkritumi, elektrisko un elektronisko iekārtu atkritumi jāsavāc atsevišķi. Bateriju, akumulatoru un gaismas avotu atkritumi ir jāizņem no iekārtām. Sazinieties ar jūsu vietējo pašvaldību vai pārdevēju, lai gūtu informāciju par šādām savākšanas vietām. Saskaņā ar vietējiem noteikumiem mazumtirgotājiem var būt pienākums bez maksas pieņemt atpakaļ akumulatoru, elektrisko un elektronisko iekārtu atkritumus. Jūsu ieguldījums elektrisko un elektronisko iekārtu atkritumu otrreizējā izmantošanā un otrreizējā pārstrādē palīdz samazināt izejvielu pieprasījumu. Akumulatoru atkritumi, it īpaši tie, kas satur litiju, un elektrisko un elektronisko iekārtu atkritumi satur vērtīgus un pārstrādājamus materiālus, kas var nelabvēlīgi ietekmēt vidi un cilvēku veselību, ja tos neapglabā videi draudzīgā veidā. Izdzēsiet no atkritumos nododamajām iekārtām personīgos datus, ja tādi tur ir.



SIMBOLI ŠAJĀ ROKASGRĀMATĀ



Atsevišķi nopērkamās daļas vai piederumi



Piezīme



Brīdinājums

Kuriant šį akumuliatorinį vamzdinį siurblij didžiausia svarba buvo teikiama jo saugai, efektyvumui ir patikimumui.

NAUDOJIMO PASKIRTIS

Šis akumuliatorinis vamzdinis siurblys yra skirtas švariam ar nešvariam vandeniui iš baseinų, tvenkinių ar talpyklų šalinti. Šis įrenginys taip pat naudojamas potvynio arba pertekliniam liūčių vandeniui šalinti. Šį įrenginį taip pat galima naudoti irigacijai, kai jis yra sujungtas su laistymo priedais.

Šis įrenginys skirtas naudoti tik namuose arba namų ūkyje. Įrenginį galima naudoti patalpose arba lauke.

Nenaudokite kitais tikslais.

BENDRIEJI SAUGOS ĮSPĖJIMAI

- Jokiū būdu neleiskite naudoti krūmaplovės vaikams, asmenims su fiziniiais, jutimniais ar psichiniais sutrikimais, ar žmonėms, neturintiems reikiamos patirties ir žinių, arba nesusipažinusiems su šiomis instrukcijomis. Vietos įstatymai gali apriboti įrengimo operatoriaus amžių. Mažus vaikus visada privaloma tinkamai prižiūrėti, kad jie nežaistų šalia įrenginio arba su juo.
- Saugokite šiuos įspėjimus ir nurodymus, kad galėtumėte vadovautis jais vėliau. Dažnai ja vadovaukitės ir naudokitės kitiems asmenims, kurie gali naudotis gaminiu, instruktuoti. Jei šį įrenginį kam nors skolinate, taip pat atiduokite jiems ir šią instrukciją, kad įrenginys būtų tinkamai naudojamas ir būtų išvengta galimų susižalojimų.
- Darbo vietoje neturi būti jokių žmonių, ypač mažų vaikų ir naminių gyvūnų.
- Patikrinkite įrenginį prieš kiekvieną naudojimą. Patikrinkite, ar nėra atsipalaidavusių tvirtinamųjų elementų, ar neprateka kuras ir pan. Patikrinkite, ar visos apsaugos ir rankenos tinkamai ir patikimai pritvirtintos. Prieš naudodami prietaisą pakeiskite visas pažeistas dalis. Patikrinkite, ar nėra išteikėjimo iš akumuliatoriaus.
- Niekaip nemodifikuokite prietaiso ir nemontuokite dalių bei priedų, kurias naudoti nepataria gamintojas.
- Niekada nenaudokite įrenginio basomis, avėdami sandalus ar panašią lengvą avalynę. Avėkite neslystančią, apsauginę avalynę, kuri apsaugos jūsų pėdas ir leis tvirtiau stovėti ant slidžių paviršių.

- Judėkite apdairiai, kad nepaslystumėte ar nepargriūtumėte.
- Nekiškite rankų į įrenginio išleidimo / išleidimo angas, kai jis yra įjungtas.
- Nemontuokite ir nenaudokite įrenginio sprogoje aplinkoje ar šalia degių medžiagų.
- Nesinaudokite įrenginiu, jei jo neįmanoma išjungti išjungimo jungikliu. Jungiklių keiskite tik įgaliotajame techninės priežiūros centre.
- Išjunkite įrenginį, išimkite akumuliatorių ir palaukite, kol jis atvės. Patikrinkite, ar visos judančio dalys visiškai nustojo sukittis.
 - prieš atlikdami techninę priežiūrą
 - prieš pašalindami užsikimšimą
 - prieš tikrindami ar valydami prietaisą arba prieš pradėdami juo pjauti žolę;
 - prieš keisdami priedus
 - Prieš palikdami įrenginį be priežiūros
 - kaskart atlikdami techninę priežiūrą
- Nelaimingo atsitikimo arba gedimo atveju nedelsdami išjunkite įrenginį ir išimkite akumuliatorių. Nenaudokite įrenginio tol, kol jis nebus išsamiai patikrintas įgaliotos techninės priežiūros centre.

ĮRANKIO SU AKUMULIATORIUMI NAUDOJIMAS IR PRIEŽIŪRA

- Pakartotinai kraukite prietaisą tik naudodami gamintojo nurodytą kroviklį. Vieno tipo akumuliatoriui tinkantis įkroviklis gali kelti gaisro pavojų kitokiam akumuliatoriui.
- Naudokite tik specialiai šiam įrenginiui skirtą akumuliatorių. Kitokių akumuliatorių naudojimas gali sukelti gaisrą, elektros smūgį ar sužeidimus.
- Nenaudokite pažeisto arba pakeistos konstrukcijos įrenginio ar akumuliatoriaus. Sugadinti arba pakeisti akumuliatoriai gali veikti neprognozuojamai ir dėl to gali kilti gaisras, sproginimas arba pavojus susižaloti.
- Saugokite akumuliatorių ir įrenginį nuo ugnies ir aukštos temperatūros. Patekus į ugnį arba veikiant aukštesnei kaip 130 °C temperatūrai gali kilti sproginimas.
- Kai akumuliatorius nenaudojamas, jį laikykite toliau nuo kitų metalinių daiktų, pavyzdžiui, sąvaržėlių, monetų, raktų, vinių, varžtų ar kitų mažų metalinių daiktų, kurie vieną gnybtą gali sujungti su kitu. Sutrumpinus vieną akumuliatoriaus gnybtą su kitu, galima nusidėginti arba sukelti gaisrą.

- Esant netinkamoms sąlygomis iš akumuliatorių gali išvarvėti skystis. Venkite s'lyčio. Jei atsitiktinai prisilietėte - nuplaukite vandeniu. Jei skystis pateko į akis, nedelsiant kreipkitės į gydytoją. Iš akumuliatoriaus ištekėjęs skystis gali nudeginti ar sukelti sudirginimus.

AKUMULIATORINIO VAMZDINIO SIURBLIO NAUDOJIMO SAUGOS TAISYKLĖS

- Montuodami įrenginį būtinai išimkite akumuliatorių iš akumuliatoriaus dėžės.
- Nepanardinkite įrenginio aukščiau vandens bako kablo. Antraip į elektronines dalis ir (arba) akumuliatorių gali patekti vandens, todėl gali įvykti trumpasis jungimas, gali padidėti gaisro ir sunkių susižalojimų pavojus.
- Įsitikinkite, kad filtras yra tvirtai užfiksuotas, o, jei reikia jį naudoti, vandens vamzdžio kablys yra pritvirtintas.
- Įsitikinkite, kad visos jungtys yra sandarios. Jungiamąjį sriegį apvyniokite sriegių sandarinimo juosta arba sandarininkite tinkamu sandarikliu.
- Verždami varžtines jungtis neužveržkite per stipriai, nes galite sugadinti sriegius.
- Nenaudokite įrenginio koroziniams, šlifuojamiesiems, sprogiems ar pavojingiems skystiems siurbti. Siurbiant kitus skysčius, išskyrus vandenį, įrenginys gali sugesti, gali kilti gaisro pavojus ir naudotojas gali būti sužalotas.
- Nenaudokite šio įrenginio geriamajam vandeniui tiekti.
- Nenaudokite įrenginio be skysčio. Neleiskite įrenginiui veikti sausai, be vandens.
- Nenaudokite įrenginio, jei vandens telkinyje yra žmonių.
- Neatjunkite žarnos, kol įrenginys vis dar veikia.
- Skystis gali būti užterštas dėl tepalų nuotėkio.
- Iš įrenginio išleidžiant vandenį, žemė gali sudrėkti ir tapti slidi. Pasinaudoję įrenginiu būtinai išvalykite išleistą vandenį.
- Neišleiskite vandens ten, kur yra elektros arba aukštos įtampos elementų, aktyvių cheminių medžiagų ar kitų objektų ar medžiagų, į kuriuos patekus vandens galėtų kelti pavojus.
- Tvirtai laikykite įrenginį ten, kur yra aplieta rankena. Visada segėkite riešo diržą, išskyrus atvejus, kai naudojate bako kablį. Naudojamiesi

įrenginiu, nepalikite jo be priežiūros. Įsitikinkite, kad įrenginys negalės apvirsti.

- Saugokite akumuliatoriaus vidų nuo lietaus ir nesinaudokite juo esant drėgnoms oro sąlygoms. Įrenginys yra nepralaidus vandeniui tik tada, kai akumuliatoriaus skyrius yra uždarytas, užfiksuotas ir nepažeistas. Į akumuliatorių patekęs vanduo padidina elektros smūgio pavojų.

PAPILDOMI AKUMULIATORIAUS SAUGOS ĮSPĖJIMAI

Siekiant sumažinti gaisro, susižeidimų ir įrangos pažeidimų pavojus, galinčius kilti dėl trumpojo elektros jungimo, pasirūpinkite, kad įrankis, akumuliatorius arba įkroviklis niekada nebūtų panardintas į jokią skystį, o taip pat, kad skystis nepatektų į jų vidų. Koroziją sukeliantys arba laidūs skysčiai, pvz., sūrus vanduo, tam tikri chemikalai ir balikliai arba produktai, kurių sudėtyje yra baliklių, gali sukelti trumpąjį jungimą.

GABENIMAS IR LAIKYMAS

- Išjunkite įrenginį, išimkite akumuliatorių ir palaukite, kol įrenginys atvės, jei norite jį padėti saugojimo vietą arba transportuoti.
- Prieš sandėliuodami įrenginį kruopščiai jį nuvalykite. Pašalinkite vandens perteklių visiškai ištiesdami įrenginį. Įrenginį gaminį vertikaliajoje padėtyje, visiškai ištiesę, kad nutekėtų visas vanduo. Laikykite įrenginį sausoje, gerai vėdinamoje, vaikams nepasiekiamoje vietoje. Laikykite gaminį toliau nuo korozinių medžiagų, pvz. sodo chemikalų ir tirpdančių druskų. Nepalikite įrenginio lauke esant neigiamai temperatūrai.
- Ruošiant gabenimui, gaminį reikia įtvirtinti, kad nejudėtų arba nenukristų, taip apsaugant žmones nuo sužeidimų ir gaminį nuo apgadinimų.

LIČIO BATERIJŲ TRANSPORTAVIMAS

Akumuliatorių gabenkite pagal vietinius ir šalies reikalavimus bei nuostatas.

Akumuliatorius gabenant trečiajai šaliai būtina laikytis visų specialių reikalavimų, nurodytų pakuotėse ir etiketėse. Užtikrinkite, kad gabenimo metu nei vienas akumuliatorius nesiliestų su kitais akumuliatoriais arba laidžiosiomis medžiagomis – apsauginius jungiamuosius elementus uždenkite izoliacinėmis nelaidžiomis movomis arba juosta. Įskilusių ir tekančių akumuliatorių negabenkite. Dėl tolesnių patarimų kreipkitės į transporto įmonę.

PRIEŽIŪRA

- Keitimui naudokite tik originalias gamintojo atsargines dalis. Neoriginalios dalys gali būti sužeidimų ir įrenginio blogo veikimo priežastis, ir dėl to gali būti anuliuotas garantinis pažymėjimas.
- Aptarnavimą atlikti būtina itin atidžiai, todėl rekomenduojame, kad techninę apžiūrą vykdytų kvalifikuotas specialistas. Įrenginį techninei priežiūrai pristatykite tik į įgaliotąjį techninės priežiūros centrą.
- Prietaisą galite reguliuoti ir remontuoti, kaip aprašyta šiame naudotojo vadove. Dėl kitų dalių taisymo ar pagalbos taisant reikia kreiptis į įgaliotą techninio aptarnavimo centrą.
- Reguliariai tikrinkite siurbį, žarnas ir vandens įleidimo angą bei filtrus. Užtikrinkite, kad žarnose ir vandens įleidimo angoje ir filtruose neprisikaupytų purvo, smėlio ir nešvarumų. Pasirūpinkite, kad nebūtų jokių pažeidimų.
- Po kiekvieno naudojimo, išvalykite įrenginį sausu švelnaus audinio gabalėliu. Nenaudojamas įrenginys privalo būti sausas, švarus, nealyvuotas ir netepaluotas. Bet kurią apgadintą detalę leidžiama remontuoti arba keisti tik autorizuotame aptarnavimo centre.
- Valykite filtrą tik tada, kai pastebimai sumažėja įrenginio našumas.
- Prireikus pakeisti sugadintas ar neįskaitomas etiketes, gaminių reikia nugabenti į įgaliotą techninio aptarnavimo centrą.

SUSIPAŽINKITE SU ĮRENGINIU

Žr. 103 psl.

- Laikmačio mygtukas
- Įj./Išj. mygtukas
- Akumuliatoriaus dangtis
- Fiksatorius
- Laikmačio indikatorius lemputės
- LED apšvietimo lemputės
- Aplieta rankena
- Vandens išleidimo anga
- Riešo diržas
- Vandens bako kablys
- Gofruotoji išleidimo žarna
- G3/4 adapteris
- G3/4 jungtis
- Gofruotosios išleidimo žarnos išleidimo adapteris
- Aukščio reguliavimo pasukamieji fiksnatoriai
- Purvo filtras
- Naudotojo vadovas
- Šiukšlių filtras
- Baterija
- Įkroviklis
- Sodo žarna

SIMBOLIAI ANT ĮRENGINIO



Prieš pradėdami bet kokius darbus gaminyje išimkite akumuliatorių bloką.



Pranešimas apie saugumą. Atidžiai persikaitykite instrukcijas prieš pradėdami naudoti mechanizmą.



Stenkitės nesukti strypo arba apatinio siurblio korpuso, kai ilginamieji žiedai yra atlaisvinti, nes gali būti prignybtas viduje esantis kabelis.



Nepanardinkite įrenginio aukščiau vandens bako kablio.



IPX5

Akumuliatoriaus skyriaus įleidimo angos apsauga



IPX8

Siurblio galvutės įleidimo angos apsauga



1.2m

Maksimalus veikimo gylis



„EurAsian“ atitikties ženklas



Europos atitikties ženklas



Didžiosios Britanijos atitikties ženklas



001

Ukrainos atitikties ženklas



Saugokite akumuliatorių nuo lietaus ir nesinaudokite juo esant drėgnoms oro sąlygoms.

Neišmeskite senų akumuliatorių, elektros ir elektroninės įrangos atliekų kartu su nerūšiuotomis komunalinėmis atliekomis. Seni akumuliatoriai, elektros ir elektroninės įrangos atliekas privaloma surinkti atskirai. Senos baterijos, akumuliatoriai ir šviesos šaltinių atliekos turi būti pašalinti iš įrangos. Patarimų dėl perdirbimo ir informacijos apie surinkimo punktus kreipkitės į savo vietos valdžios institucijas. Atsižvelgiant į vietos teisės aktus, mažmenininkai gali būti įpareigoti nemokamai priimti atgal senus akumuliatorius ir elektros bei elektroninės įrangos atliekas. Prisdėdami prie pakartotinio senų akumuliatorių ir elektros bei elektroninės įrangos atliekų panaudojimo ir perdirbimo padedate mažinti žaliavų poreikį. Senuose akumuliatoriuose, ypač tuose, kuriuose yra ličio, elektros ir elektroninės įrangos atliekose yra vertingų ir perdirbimui tinkamų medžiagų, kurios gali turėti neigiamą poveikį aplinkai ir žmonių sveikatai, jei nėra šalinamos aplinkai nekenksmingu būdu. Ištrinkite senuose prietaisuose esančius asmens duomenis, jei tokių buvo.



SIMBOLIAI VADOVE



Detalės arba priedai yra parduodami atskirai



Pastaba



Įspėjimas!

Juhtmeta varspumba juures on peetud esmatähtsaks ohutust, töövõimet ja töökindlust.

OTSTARBEKOHANE KASUTAMINE

Juhtmeta varspump on mõeldud musta või puhta vee eemaldamiseks basseinidest, tiikidest või mahutitest. Toodet saab kasutada ka ülejutusveest või liigsest vihmaveest tühjendamiseks ülejutuste ajal. Toodet võib kasutada ka kastmiseks, kui see on ühendatud kastmistarvikutega.

Toodet tohib kasutada ainult kodumajapidamises. Toodet võib kasutada nii siseruumides kui ka välitingimustes.

Ärge kasutage ühekski muuks otstarbeks.

OHUTUSE ÜLDEESKIRJAD

- Ärge lubage lapsi ega piiratud füüsiliste, sensoorsete ja vaimsete võimetega inimesi ega kogemuste ja teadmisteta ning käesolevate juhistega mittetutvunud inimesi seadet kasutada. Kohalikud regulatsioonid võivad seada kasutaja vanusele piiranguid. Laste järele tuleb piisavalt valvata, et nad seadmega ei mängiks.
- Hoidke kõik hoiatused ja juhised tulevikus vaatamiseks alles. Vaadake neid sageli ja kasutage neid teiste, kes võivad toodet kasutada, juhendamiseks. Kui laenate selle tööriista kellelegi teisele, andke talle kaasa ka need juhised, et vältida toote väärkasutamist ja võimalikke vigastusi.
- Hoidke tööpiirkond eemal kõikidest inimestest, eelkõige väikestest lastest ja lemmikloomadest.
- Kontrollige seade iga kord enne kasutamist üle. Kontrollige kinnitite lõtvumise, kütuselekete jne suhtes. Veenduge, et kõik kaitsed ja käepidemed on õigesti ja ohutult kinnitatud. Enne kasutamist asendage kõik vigastatud koosteosad. Kontrollige, et akupakett ei leki.
- Ärge püüdke seadme konstruktsiooni mingil viisil muuta ega kasutage varuosi või tarvikud, mis pole tootja poolt soovitatud.
- Ärge kasutage toodet paljajalu ega lahtiste sandaalide või sarnaste jalanõudega. Kandke mittelibiseva tallaga kaitsejalatseid, mis kaitsevad teie jalgu ja lihtsustavad libedal pinnasel liikumist.
- Olge ettevaatlik, et te ei libiseks ega kukuks.
- Ärge pange käsi sisse toote sisse- või väljalaskevassesse, kui see on sisse lülitatud.

■ Ärge paigaldage ega kasutage toodet plahvatusohtlikus keskkonnas ega tuleohtlike materjalide lähedal.

■ Ärge kasutage toodet, kui käivituslülitil mootorit ei peata. Lülitit tuleb välja vahetada volitatud teeninduses.

■ Lülitage toode välja, eemaldage aku ja laske seadmel maha jahtuda. Veenduge, et kõik masina liikuvad osad on täielikult seiskunud:

- enne hooldust
- enne takistuse kõrvaldamist
- enne kontrollimist, puhastamist või teenindamist,
- enne tarvikute vahetamist
- enne toote juurest lahkumist
- alati hooldustööde teostamisel

■ Lülitage otsekohe välja ja eemaldage aku õnnetuse või rikke korral. Ärge kasutage tööriista enne, kui see on volitatud parandustöökojas põhjalikult kontrollitud.

AKUTÖÖRIISTA KASUTAMINE JA KORRASHOID

■ Laadige akut ainult tootja poolt ettenähtud laadijaga. Akulaadaja, mis sobib ühele akupaketile võib põhjustada tulekahju, kui seda kasutada teise akupaketiga.

■ Kasutage ainult spetsiaalselt selle toote jaoks mõeldud akusid. Muude akupakettide kasutamise korral võib tekkida tulekahju, elektrilöögi või kehavigastuse oht.

■ Ärge kasutage rikkis ega ümber tehtud akut või toodet. Vigased või ümber tehtud akud võivad toimida ettearvamatult, mille tagajärjeks on tulekahju, plahvatus või vigastuste oht.

■ Ärge jätke akut või toodet lahtise tule lähedale ega liiga kõrge temperatuuri kätte. Tuli või temperatuur üle 130 °C võib põhjustada plahvatust.

■ Sel ajal kui akupakett ei ole kasutusel, hoidke seda eemal metallesemetest nagu kirjaklambrid, mündid, võtmed, naelad, kruvid ja muudest väikestest metallobjectidest, mis võivad akuklemmid lühistada. Aku klemmide lühistamine võib põhjustada põletust või tulekahju.

■ Ebasobivates tingimustes võib vedelik akust välja tulla. Vältige kontakti. Akuvedeliku nahale sattumisel peske see veega maha. Vedeliku silma sattumisel pöörduge viivitamatult arsti poole. Väljapritsv akuveelik võib tekitada nahaärritust või -põletust.

JUHTMETA VARSPUMBA OHUTUSJUHISED

- Toote paigaldamisel veenduge, et aku oleks akukarbis eemaldatud.
- Ärge kastke toodet veetünni konksust sügavamale. Vesi võib sattuda elektroonilistesse osadesse ja/või akusse, mis võib põhjustada lühise, suurema tuleohtu ja tõsiseid kehavigastusi.
- Veenduge, et filter oleks kindlalt kinnitatud ja veemahutikonks fikseeritud, kui seda kasutatakse.
- Veenduge, et kõik ühendused oleksid lekkevabad. Kasutage ühenduskeermel keermeteipi või sobivat tihendusainet.
- Keermestatud ühenduste pingutamisel ärge kasutage liigset jõudu, mis võib põhjustada kahjustusi.
- Ärge kasutage toodet söövitavate, abrasiivsete, plahvatusohtlike ega ohtlike vedelike jaoks. Muud vedelikud kui vesi kahjustavad toodet, võivad põhjustada tuleohtu ja kasutajale füüsilisi vigastusi.
- Ärge kasutage toodet joogivee puhul.
- Ärge kasutage toodet ilma vedelikuta. Ärge laske pumbal kuival töötada.
- Ärge kasutage toodet, kui inimesed on vees.
- Ärge eemaldage voolikut, kui toode veel töötab.
- Määrdeainete lekke tõttu võib tekkida vedeliku reostus.
- Tootest väljutatud vesi võib muuta maapinna märjaks ja tekitada libisemisohtu. Pärast toote kasutamist puhastage väljavoolanud veest.
- Ärge väljutage vett kohtadesse, kus on elektri- või kõrgepingeelemente, aktiivseid kemikaale või muid esemeid ja aineid, mis võivad veega segamisel ohtu tekitada.
- Hoidke toodet kindlalt seal, kus on üleviimisjuhik. Kandke alati randmepaela, välja arvatud siis, kui kasutate silindrikonksu. Ärge jätke toodet kasutamise ajal järelevalveta. Veenduge, et toode ei saaks ümber paiskuda.
- Ärge jätke akukambrit vihma kätte ega hoidke toodet niisketes tingimustes. Toode on veekindel ainult siis, kui akukamber on suletud, lukus ja kahjustusteta. Tootesse sattuv vesi suurendab elektrilöögiohtu.

AKU LISAOHUTUSJUHISED

Et vähendada tulekahju ja kehaliste vigastuste ohtu ning lühisest tulenevat toote kahjustamist, ärge kunagi kastke tööriista, akut või laadijat vedelikesse ega laske neil vedelikega kokku puutuda. Korrodeeruvad või elektrit juhtivad vedelikud, nagu soolvesi, teatud kemikaalid ja pleegitusained või pleegitusaineid sisaldavad tooted, võivad põhjustada lühist.

TRANSPORTIMINE JA HOIUSTAMINE

- Išjunkite įrenginį, išimkite akumuliatorių ir palaukite, kol įrenginys atvės, jei norite jį padėti saugojimo vietai arba transportuoti.
- Enne hoiustamist puhastage toode põhjalikult ära. Eemaldage üleliigne vesi, pikendades toodet täielikult. Hoiustage toodet püstises asendis ja laske kogu veel välja voolata. Hoiustage toodet kuivas ja hea ventilatsiooniga kohas, mis ei ole lastele ligipääsetav. Hoidke seadet eemal korrodeerivatest ainetest, nagu aiakemikaalid ja jääsulatussoolad. Ärge jätke toodet külmumistemperatuuride korral õue.
- Vedamise ajal tõkestage kultivaator liikuma hakkamise ja alla kukkumise vastu, et vältida kehavigastusi ja masinaosade kahjustamist.

LIITUMAKUDE TEISALDAMINE

Akude transportimisel juhenduge kasutuskohas kehtivatest riiklikest määrustest ja eeskirjadest.

Akude transportimisel allettevõtjate poolt järgige kõiki pakkimise ja tähistamise erinõudeid. Veenduge, et akud ei satu kokkupuutese teiste akude ega voolu juhtivate materjalidega, kui avatud klemmid on transportimise ajal kaitstud voolu mittejuhtivate isoleerkorkide või teibiga. Ärge transportige pragunenud või lekkivaid akusid. Küsige lisateavet transportettevõttelt.

HOOLDUS

- Kasutage ainult tootja originaalvaruosi, tarvikuid ja tööorganeid. Selle nõude eiramine võib põhjustada, kehavigastuse, tootluse languse ja teile antud garantii tühistamise.
- Hooldamine nõuab ülimalt korrashoidu ja teadmisi ning tuleks teostada ainult

kvalifitseeritud hooldustehnikute poolt. Toodet tohib parandada vaid volitatud teeninduses.

- Lubatud on teha ainult selles kasutusjuhendis kirjeldatud reguleerimis- ja parandustoiminguid. Muude remonditööde tellimiseks ja abi saamiseks pöörduge volitatud hoolduskeskusesse.
- Kontrollige pumpa, voolikuid, vee sisselaskeava ja filtreid korrapäraselt. Veenduge, et voolikud, vee sisselaskeava ja filtrid ei oleks täis muda, liiva ega prahti. Veenduge, et poleks kahjustusi.
- Iga kord pärast kasutamist puhastage seadet pehme ja kuiva lapiga. Hoidke toodet kuiva, puhta ja ilma õli- või määrdeplekkideta. Vigastatud osad tuleb lasta pädeval hooldajal parandada või asendada.
- Puhastage filtrit ainult siis, kui funktsionaalsus on oluliselt vähenenud.
- Pöörduge vigastatud ja loetamatute kleebiste asendamiseks volitatud hoolduskeskuse poole.

ÕPPIGE OMA TOODET TUNDMA

Vt leht 103.

1. Taimerinupp
2. On/off-nupp (sisse/välja)
3. Aku kaas
4. Lukusti
5. Taimeri märgutuled
6. LED-töötuled
7. Üleviimisjuhik
8. Vee väljalaskeava
9. Randmepael
10. Veemahutikonks
11. Laineline väljalaskevoolik
12. G3/4-adapter
13. G3/4-liitmik
14. Lainelise väljalaskevooliku väljundadapter
15. Kõrguse reguleerimise keerdlukud
16. Mudafilter
17. Kasutusjuhend
18. Prahifilter
19. Aku paketiiga
20. Laadija
21. Aiavoolik

MASINAL OLEVAD SÜMBOLID



Enne mistahes tööde tegemist toote kallal võtke aku välja.



Ohutusalaane teave
Enne seadme kasutamist lugege palun kasutusjuhend hoolega läbi.



Ärge keerake teleskoopvarrega pumba korpust, kui pikendusvarred on lukustamata, sest juhe võib kinni jääda.



Ärge kastke toodet veetünni konksust sügavamale.



IPX5

Akukambri kaitse



IPX8

Pumba peaosa kaitse



1.2m

Maksimaalne töösügavus



Euraasia vastavusmärk



Euroopa vastavusmärgis



Suurbritannia vastavusmärgis



001

Ukraina vastavusmärgis



Ärge jätke akut vihma kätte ega hoidke niisketes tingimustes.

Ärge kõrvaldage kasutatud patareisid ning elektri-ja elektroonikaseadmete jäätmeid sortimata olmejäätmetena. Kasutatud patareid ning elektri-ja elektroonikaseadmete jäätmed tuleb koguda eraldi. Patareijäätmed, akujäätmed ja jäätmetest valgusallikad tuleb seadmetest eemaldada. Küsige nõu jäätmekäitluse ja kogumiskoha kohta oma kohalikust omavalitsusest või jaemüüjalt. Kohalike eeskirjade kohaselt võib jaemüüjatel olla kohustus kasutatud patareid ning elektri-ja elektroonikaseadmete jäätmed tasuta tagasi võtta. Teie panus patareide ning elektri-ja elektroonikaseadmete jäätmete korduskasutamisse ja ringlussevõttu aitab vähendada toorainete nõudlust. Patareijäätmed, mis sisaldavad eelkõige liitiumi, ning elektri-ja elektroonikaseadmete jäätmed sisaldavad väärtuslikke ja ringlussevõetavaid materjale, mis võivad keskkonda ja inimeste tervist kahjustada, kui neid ei kõrvaldata keskkonnasäästlikul viisil. Olemasolul kustutage jäätmeseadmest isikuandmed.



KASUTUSJUHENDI SÜMBOLID



Eraldi ostetavad osad või tarvikud



Märkus



Hoiatus

Vodeću ulogu u dizajnu vaše akumulatorske štapne pumpe imaju sigurnost, performanse i pouzdanost.

NAMJENA

Akumulatorska štapna pumpa namijenjena je za uklanjanje vode, prljave ili čiste, iz bazena, bunara ili spremnika. Proizvod se može koristiti za pražnjenje poplavnih voda ili suvišne kišnice tijekom poplava. Proizvod se također može koristiti za irigaciju ako je uparen s opremom za navodnjavanje.

Proizvod je namijenjen samo uporabi u kući ili kućanstvu. Proizvod se može koristiti u zatvorenom prostoru ili na otvorenom.

Proizvod ne koristite ni za kakvu drugu svrhu.

OPĆA SIGURNOSNA PRAVILA

- Nikada ne dopustite djeci, osobe smanjenih tjelesnih, osjetilnih ili mentalnih mogućnosti ili osoba koje ne raspolažu iskustvom ili osobama koj nisu upoznate s ovim uputama da koriste proizvod. Moguće je da lokalni propisi propisuju starosnu dob rukovatelja. Djecu je potrebno odgovarajuće nadzirati kako bi se osiguralo da se ne igraju s proizvodom.
- Sačuvajte ova upozorenja i upute kako biste ih naknadno mogli konzultirati. Često se referirajte na njih i koristite ih podučavanje drugih osoba koje bi mogle koristiti proizvod. Ako nekome posuđujete proizvod, isto tako ga posudite zajedno s ovim uputama kako biste spriječili nepravilno korištenje proizvoda i moguće ozljede.
- Na radnom području ne smije biti nazočnih osoba, a osobito male djece i kućnih ljubimaca.
- Prije korištenja provjerite uređaj. Provjerite za olabavljene zatezače, istjecanje goriva itd. Osigurajte da su svi štitnici i ručke pravilno i čvrsto priključeni. Prije korištenja zamijenite sve oštećene dijelove. Provjerite baterije na curenje.
- Nemojte modificirati uređaj ni na koji način ili koristiti dijelove ili dodatni pribor koje nije preporučio proizvođač.
- Ne radite s proizvodom dok ste bos ili ako nosite sandale ili sličnu laku obuću. Nosite zaštitnu obuću koja će zaštititi vaša stopala i poboljšati vaše uporište na skliskim površinama.

- Budite iznimno oprezni kako se ne biste okliznuli ili pali.
- Izbjegavajte stavljanje ruku u ulazne/izlazne otvore proizvoda dok je uključen.
- Proizvod nemojte instalirati niti njime rukovati u eksplozivnom okruženju ili pokraj zapaljivih materijala.
- Ne koristite proizvod ako ga prekidač za isključivanje ne isključuje. Neka se sklopka mijenja samo u ovlaštenom servisnom centru.
- Isključite proizvod, uklonite akumulator i pustite da se proizvod ohladi. Provjerite da su svi pokretni dijelovi zaustavljeni:
 - prije servisiranja
 - prije uklanjanja blokade
 - prije provjere, čišćenja ili rada na uređaju
 - prije promjene pribora
 - prije ostavljanja proizvoda bez nadzora
 - prilikom svakog održavanja
- Odmah ga isključite i izvadite baterijski sklop u slučaju nesreće ili kvara. Proizvodom nemojte ponovno rukovati sve dok ga potpuno ne provjeri ovlašteni servisni centar.

KORIŠTENJE I BRIGA O AKU ALATU

- Punite samo s punjačem navedenim od proizvođača. Punjač koji je prikladan za jednu vrstu baterija može dovesti do opasnosti od požara kada se koristi s drugom baterijom.
- Koristite samo akumulator namijenjene upravo za proizvod. Korištenje bilo kojih drugih baterija može dovesti do opasnosti od požara, strujnog udara ili ozljeda osoba.
- Nemojte koristiti akumulator koji je oštećen ili modificiran. Oštećene ili modificirane baterije mogu imati nepredvidivo ponašanje, što može dovesti do požara, eksplozije ili rizika od tjelesnih ozljeda.
- Akumulator ili proizvod nemojte izlagati vatri ili prekomjernim temperaturama. Izlaganje vatri ili temperaturama višim od 130°C može dovesti do eksplozije.
- Kada se baterija ne koristi držite je dalje od drugih metalnih predmeta kao što su spajalice za papir, kovanice, ključevi, čavli, vijci ili drugi mali metalni predmeti koji mogu spojiti jedan pol na drugi. Kratki spoj polova baterije može izazvati opekotine ili požar.
- Ako baterijom rukujete na grub način ili u teškim uvjetima rada, može doći do curenja

tekućine iz baterije. Izbjegavajte kontakt s tom tekućinom. Ako dođe do nehotičnog kontakta, isperite to mjesto s vodom. Ako tekućina dospije u oči, dodatno potražite liječničku pomoć. Tekućina koja istječe iz baterije može dovesti do iritacije ili opekotina.

SIGURNOSNA UPOZORENJA AKUMULATORSKE ŠTAPNE PUMPE

- Uvjerite se da je akumulator izvađen iz kutije akumulatora prilikom instaliranja proizvoda.
- Proizvod nemojte uranjati iznad kuke bačve za vodu. Voda bi mogla ući u elektroničke komponente i/ili akumulator, što može dovesti do kratkog spoja, povećanog rizika od požara i teške tjelesne ozljede.
- Uvjerite se da je filter dobro učvršćen i da je kuka bačve za vodu pričvršćena ako ju je potrebno koristiti.
- Uvjerite se da nijedan od priključaka ne curi. Upotrijebite brtvenu traku ili odgovarajuće brtvilo na navoju priključka.
- Prilikom pritezanja navojnih priključaka pazite da primjenjujete preveliku silu koja bi mogla prouzročiti oštećenje.
- Proizvod nemojte koristiti za korozivne, abrazivne, eksplozivne ili opasne tekućine. Svi fluidi koji nisu voda mogu oštetiti proizvod, stvoriti opasnost od požara i mogu prouzročiti tjelesne ozljede rukovatelja.
- Proizvod ne koristite s pitkom vodom.
- Proizvod ne puštajte u rad ako u njemu nema tekućine. Nemojte dozvoliti da proizvod radi na suho.
- Ne koristite proizvod dok su ljudi u vodi.
- Ne uklanjajte crijevo dok proizvod radi.
- Zbog curenja maziva može doći do zagađenja tekućine.
- Voda ispuštena iz proizvoda može smočiti tlo i može prouzročiti klizanje. Uvjerite se da ste očistili ispuštenu vodu nakon rada s proizvodom.
- Vodu ne praznite u područja s električnim ili visokonaponskim elementima, aktivnim kemikalijama ili drugim predmetima ili tvarima koje bi mogle prouzročiti opasnu situaciju kada se promiješaju s vodom.
- Proizvod uhvatite čvrsto za ukalupljeni rukohvat. Uvijek nosite vezicu za ručni zglob osim kada se koristi kuka za bačvu. Proizvod ne ostavljajte bez nadzora tijekom upotrebe. Uvjerite se da se proizvod ne može prevrnuti.

- Odjeljak za akumulator ne izlažite kiši niti mokrim vremenskim uvjetima. Proizvod je vodootporan samo onda kada je odjeljak za bateriju zatvoren, zaključan i neoštećen. Voda koja ulazi u proizvod povećava rizik od strujnog udara.

DODATNA SIGURNOSNA UPOZORENJA ZA BATERIJU

Kako biste smanjili rizik od požara, tjelesnih ozljeda i oštećenja proizvoda zbog kratkog spoja, nikada nemojte umakati proizvod, baterijski sklop ili punjač u tekućinu ili dozvoliti da tekućina prodre u njih. Korozirajuće ili vodljive tekućine kao slana voda, određene kemikalije i sredstva za bijeljenje ili proozvodi koji sadrže sredstva bijeljenja, mogu prouzročiti kratak spoj.

PRIJEVOZ I SKLADIŠTENJE

- Isključite proizvod, izvadite baterijski sklop i pustite ga da se ohladi prije skladištenja ili prevoženja.
- Proizvod temeljito očistite prije pohranjivanja. Uklonite svu suvišnu vodu u potpunosti izvukavši proizvod. Proizvod čuvajte u uspravnom položaju i potpuno izvučeni kako biste potpuno ispraznili vodu. Proizvod čuvajte na suhom, dobro provjetrenom mjestu koje je nedostupno djeci. Držite proizvod podalje od korozivnih sredstva kao što su vrtno kemikalije i soli protiv zaleđivanja. Proizvod ne ostavljajte na otvorenom tijekom vremenskih uvjeta koji dovode do smrzavanja.
- Za prijevoz, osigurajte uređaj protiv pomicanja ili pada kako biste spriječili povrede osoba ili oštećenja na uređaju.

TRANSPORTIRANJE LITIJUMSKIH BATERIJA

Transportirajte bateriju u skladu s lokalnim i nacionalnim pravima i zakonima.

Slijedite sve specijalne zahtjeve na pakiranju i naljepnicama prilikom transporta baterije od treće strane. Osigurajte da baterija ne može doći u kontakt s drugim baterijama ili provodnim materijalima tijekom transporta tako da zaštitite izložene priključke s izolacijom, kapticama koje ne provode energiju ili trakom. Nemojte transportirati baterije koje su polomljene ili cure. Provjerite kod kompanije koji transportirate za daljnju pomoć.

ODRŽAVANJE

- Koristite samo originalne zamjenske dijelove, dodatni pribor i priključke od proizvođača. Nepoštivanje ovih uputa može dovesti do mogućih ozljeda, loše učinkovitosti i može dovesti do poništenja jamstva.
- Servisiranje iziskuje krajnju pažnju i znanje i treba da ga vrši samo kvalificirani serviser. Neka se proizvod servisira samo u ovlaštenom servisnom centru.
- Možete izvršiti podešavanja i popravke koji su opisani u ovom priručniku. Za ostale popravke ili savjete, potražite pomoć ovlaštenog servisnog centra.
- Periodično pregledavajte pumpu, crijeva i ulazni otvor za vodu i filtre. Pobrinite se da u crijevima, ulaznom otvoru za vodu i filtrima nema blata, pijeska i otpadaka. Uvjerite se da nema oštećenja.
- Nakon svakog korištenja proizvod obrišite sa suhom mekom krpom. Proizvod održavajte suhim i čistim, a na njemu ne smije biti ulja i masti kada nije u upotrebi. Svaki oštećeni dio trebao bi pravilno popraviti ili zamijeniti ovlašteni servisni centar.
- Filtar čistite samo kada je primjetno pogoršanje funkcionalnosti.
- Za zamjenu oštećenih ili nečitljivih naljepnica vratite proizvod u ovlašteni servisni centar.

UPOZNAJTE SVOJ PROIZVOD

Pogledajte stranicu 103.

1. Gumb tajmera
2. Gumb za uključivanje/isključivanje
3. Poklopac baterije
4. Zasun
5. Pokazna svjetla tajmera
6. LED radna svjetla
7. Ukalupljeni rukohvat
8. Izlaz vode
9. Vezica za zapešće
10. Kuka bačve za vodu
11. Valovito crijevo za pražnjenje
12. G3/4 adapter
13. Konektor G3/4
14. Izlazni adapter za valovito crijevo za pražnjenje
15. Stezne brave za namještanje visine
16. Filtar za mulj
17. Upute za uporabu
18. Filtar za otpatke
19. Baterija
20. Punjač
21. Vrtno crijevo

SIMBOLI NA PROIZVODU



Prije započinjanja bilo kakvih radova na proizvodu uklonite bateriju.



Sigurnosno upozorenje
Molimo da pažljivo pročitate upute prije pokretanja stroja.



Izbjegavajte savijanje štapa ili donjeg dijela kućišta pumpe kada se produžne obujmice deblokiraju jer bi to moglo vezati kabel u njemu.



Proizvod nemojte uranjati iznad kuke bačve za vodu.



Zaštita od prodora vode u odjeljak za bateriju



Zaštita od prodora vode u glavu pumpe



Maksimalna radna dubina



EurAsian znak konformnosti



Europska oznaka sukladnosti



Britanska oznaka sukladnosti



Ukrajinska oznaka sukladnosti



Baterijski sklop ne izlažite kiši ili vlažnim vremenskim uvjetima.

Otpadne akumulatore, otpadnu električnu i elektroničku opremu nemojte odlagati kao nesortirani komunalni otpad. Otpadni akumulatori i otpadna električna i elektronička oprema moraju se prikupljati odvojeno. Otpadne baterije, otpadni akumulatori i izvori svjetla moraju se ukloniti iz opreme. Za savjete o recikliranju i mjestu prikupljanja otpadnih baterija obratite se lokalnim vlastima ili distributeru. U skladu s lokalnim propisima, trgovci u maloprodaji imaju obvezu besplatnog preuzimanja otpadnih baterija i otpadne električne i elektroničke opreme. Vaš doprinos ponovnoj upotrebi i recikliranju otpadnih baterija i otpadne električne i elektroničke opreme pomaže u smanjenju potrebe za sirovinama. Otpadne baterije, osobito one koje sadrže litij i električna i elektronička oprema sadrži i vrijedne materijale koje je moguće reciklirati, koji mogu negativno utjecati na okoliš i ljudsko zdravlje, ako se ne uklanja na način ekološki sukladan s okolišem. Izbrišite osobne podatke iz otpadne opreme, ako ih ima.



SIMBOLI U OVOM PRIRUČNIKU



Dijelovi ili pribor prodan odvojeno



Napomena



Upozorenje

Brezžična palična črpalka je zasnovana za zagotavljanje najvišje ravni varnosti, učinkovitosti in zanesljivosti delovanja.

NAMEN UPORABE

Brezžična palična črpalka je namenjena črpanju čiste ali umazane vode iz bazenov, ribnikov ali rezervoarjev. Izdelek se lahko uporablja za črpanje poplavnih voda ali prevelikih količin deževnice med poplavami. V povezavi z dodatki za zalivanje se izdelek lahko uporablja tudi za namakanje.

Izdelek je predviden samo za domačo ali gospodinjsko uporabo. Izdelek se lahko uporablja v zaprtih prostorih in na prostem.

Za druge namene ga ne uporabljajte.

SPLOŠNA VARNOSTNA OPOZORILA

- Nikoli ne dovolite otrokom, osebam z zmanjšanimi fizičnimi, senzoričnimi ali mentalnimi zmoglostmi ali osebam s pomanjkanjem izkušenj ali znanja ter osebam, ki niso seznanjene s temi navodili, da uporabljajo izdelek. Lokalni predpisi se morda nanašajo tudi na minimalno starost upravitelja. Otroke nenehno primerno nadzorujte, da se ne bodo igrali z napravo.
- Shranite vsa opozorila in navodila za kasnejšo uporabo. Pogosto jih preverite in jih uporabite za dajanje navodil drugim osebam, ki bodo morda uporabljale izdelek. Ko ta izdelek posodite drugi osebi, ji skupaj z izdelkom izročite tudi ta navodila, da preprečite napačno uporabo izdelka in morebitne telesne poškodbe.
- Na območju delovanja izdelka ne smejo biti prisotne nobene druge osebe, zlasti pa ne otroci in živali.
- Prev vsako uporabo pregledjte stroj. Preverite privitost in pritrjenost delov, tesnjenje goriva itd. Prepričajte se, da so vsa varovala in ročaji pravilno in trdno pritrjeni. Pred uporabo zamenjajte poškodovane dele. Preverite, ali baterija pušča.
- Na noben način ne spreminjajte naprave ter ne uporabljajte delov in dodatkov, ki jih ne priporoča proizvajalec.
- Izdelka ne uporabljajte bos ali če imate obute sandale ali podobno lahko obutev. Nosite zaščitno obutev, ki bo ščitila vaše noge in poskrbela za stabilno hojo na spolzkih površinah.

- Bodite previdni, da vam ne spodrsne in ne padete.
- Med delovanjem ne vstavljajte rok v dovodne/odvodne odprtine izdelka.
- Izdelka ne nameščajte ali upravljajte v eksplozivnem okolju ali v bližini vnetljivih materialov.
- Ne uporabljajte izdelka, če ga stikalo za izklop ne ugasne. Stikalo zamenjajte v pooblaščenem servisnem centru.
- Izklopite izdelek, odstranite akumulator in počakajte, da se izdelek ohladi. Prepričajte se, da so se vsi premikajoči se deli popolnoma zaustavili:
 - preden opravite servis
 - preden odstranite zamašek
 - pred preverjanjem in čiščenjem izdelka ali delom na njem,
 - preden menjate dodatke
 - preden zapustite napravo
 - med vzdrževanjem
- V primeru nesreče ali okvare izdelek takoj izklopite in odstranite baterijski vložek. Izdelek prenehajte uporabljati, dokler ga temeljito ne pregledajo na pooblaščenem servisu.

UPORABA IN VZDRŽEVANJE BATERIJSKEGA ORODJA

- Baterijo polnite le s polnilnikom, ki ga določa proizvajalec. Polnilnik, ki ustreza eni vrsti baterij, morda lahko povzroči požar, če z njim polnite drugo vrsto baterij.
- Uporabljajte izključno akumulator, ki je predviden za ta izdelek. Uporaba drugih baterij lahko povzroči požar, električni udar ali telesne poškodbe.
- Ne uporabljajte poškodovanega ali spremenjenega akumulatorja ali izdelka. Poškodovani ali spremenjeni akumulatorji lahko delujejo na nepredvidljiv način, kar lahko povzroči požar, eksplozijo ali nevarnost telesne poškodbe.
- Akumulatorja ali izdelka ne izpostavljajte ognju ali previsokim temperaturam. Ob izpostavljenosti ognju ali temperaturam, višjim od 130 °C, lahko pride do eksplozije.
- Ko baterije ne uporabljajte, pazite, da bo odmaknjena od kovinskih predmetov, kot so papirne sponke, kovanci, ključi, žebli, vijaki ali drugih majhni kovinski predmeti, ki bi lahko povzročili povezavo med obema

terminaloma. Kratak stik zaradi povezanih terminalov baterije lahko povzroči opekline ali požar.

- Ob grobi uporabi lahko iz akumulatorja brizgne tekočina. Ne dotikajte se je. Če se po nesreči dotaknete tekočine, mesto dotika sperite z vodo. Če pride tekočina v stik z očmi, poiščite zdravstveno pomoč. Tekočina, ki izteče iz baterije, lahko povzroči vnetje ali opekline.

VARNOSTNA OPOZORILO ZA BREŽIČNO PALIČNO ČRPALKO

- Med nameščanjem izdelka se prepričajte, da je akumulator odstranjen iz ohišja.
- Izdelka ne potopite nad kavelj za sod. Voda lahko vdre v elektronske komponente in/ali akumulator, kar lahko povzroči kratak stik, nevarnost požara ali resno telesno poškodbo.
- Prepričajte se, da je filter dobro pritrjen in da je nameščen kavelj za sod za vodo, če ga boste uporabljali.
- Prepričajte se, da noben sestavni del ne pušča. Na stičnih navojih uporabite tesnilni trak ali ustrezno tesnilno maso.
- Med privijanjem navojnih priključkov ne uporabite prekomerne sile, da ne povzročite poškodbe izdelka.
- Izdelka ne uporabljajte za črpanje korozivnih, abrazivnih, eksplozivnih ali nevarnih tekočin. Tekočine, ki niso voda, poškodujejo izdelek, lahko privedejo do nevarnosti požara in povzročijo telesne poškodbe uporabnika.
- Izdelka ne uporabljajte s pitno vodo.
- Izdelka ne uporabljajte brez tekočine. Izdelek naj ne teče na suho.
- Izdelka ne uporabljajte, ko so v vodi ljudje.
- Med delovanjem izdelka ne odstranjujte cevi.
- Odtekanje maziva lahko povzroči onesnaženost tekočine.
- Voda, ki odteče iz izdelka, lahko zmehča tla in privede do zdrsa. Po upravljanju izdelka počistite iztočeno vodo.
- Vode ne iztočite na območja z električnimi ali visokonapetostnimi elementi, aktivnimi kemikalijami ali drugimi predmeti oziroma snovmi, ki bi pri mešanju z vodo lahko povzročile nevarnost.

- Izdelek dobro držite za ulito držalo. Vedno uporabljajte trak za zapestje, razen ko uporabljate kavelj za dvigovanje sode. Izdelek med uporabo ne pustite izven nadzora. Prepričajte se, da se izdelek ne more prevrniti.
- Notranjosti akumulatorja ne izpostavljajte dežju ali mokrim pogojem. Izdelek je voodoodporen le v primeru, da je prostor za baterijo zaprt, zaklenjen in nepoškodovan. Če v izdelek prodre voda, se poveča nevarnost električnega udara.

DODATNA VARNOSTNA OPOZORILO ZA BATERIJO

Za zmanjšanje nevarnosti požara, telesne poškodbe in poškodbe izdelka zaradi kratkega stika nikoli ne potopite izdelka, baterijskega vložka ali polnilca v tekočino ali dopustite, da bi tekočina vdrla vanju. Korozivne ali prevodne tekočine, kot so slana voda, določene kemikalije in belila ali proizvodi, ki le ta vsebujejo, lahko povzročijo kratak stik.

TRANSPORT IN SHRANJEVANJE

- Pred shranjevanjem ali transportom izdelka izdelek izklopite, odstranite baterijski vložek in počakajte, da se ohladi.
- Pred shranjevanjem napravo temeljito očistite. Odvečno vodo odstranite tako, da v celoti raztegnete izdelek. Izdelek hranite v pokončnem položaju in popolnoma raztegnjenega, da voda v celoti odteče. Izdelek hranite v suhem in dobro prezračenem prostoru, ki ni dostopen otrokom. Shranjujte proč od korozivnih sredstev, kot so vrtno kemikalije in soli za topljenje ledu. Izdelka ne pustite zunaj, če so temperature pod ničlo.
- Za transport zavarujte izdelek pred premiki ali padci, da preprečite poškodbe oseb ali izdelka.

PRENAŠANJE LITIJEVIH BATERIJ

Baterije prevažajte v skladu z lokalnimi in državnimi uredbami in predpisi.

Upoštevajte vse posebne zahteve glede pakiranja in označevanja, kadar prevoz opravlja tretja oseba. Zagotovite, da baterije med prevozom ne morejo priti v stik z drugimi baterijami ali prevodnimi materiali tako, da zaščitite izpostavljene konektorje z izolacijo, neprevodnimi pokrovčki ali trakom. Ne prevažajte poškodovanih baterij oz. baterij, ki puščajo. Za nadaljnje informacije se obrnite na posredovalno podjetje.

VZDRŽEVANJE

- Uporabljajte le originalne rezervne dele in dodatke, ki jih priporoča proizvajalec. V nasprotnem primeru naprava lahko slabo deluje, povzroči poškodbe, garancija pa ne velja več.
- Servisiranje zahteva posebno pozornost in znanje in naj jo zato opravlja samo izurjeni servisni tehnik. Izdelek naj servisirajo izključno v pooblaščenem servisnem centru.
- Opravljati smete le nastavitve in popravila, ki so opisana v teh navodilih za uporabo. Za druga popravila ali nasvete se posvetujte s pooblaščenim storitvenim centrom.
- Črpalko, cevi, dovod vode in filtre redno preverjajte. Poskrbite, da v ceveh, dovodu vode in filtrih ni blata, peska in grušča. Prepričajte se, da izdelek ni poškodovan.
- Po vsaki uporabi izdelek očistite z mehko in suho krpo. Zagotovite, da je izdelek v času neuporabe suh, čist in brez madežev olja ter masti. Vsak poškodovani del mora ustrezno popraviti ali zamenjati pooblaščen servisni center.
- Filter očistite le, ko opazite znatno poslabšanje učinkovitosti delovanja.
- Poškodovane ali nečitljive nalepke naj zamenjajo v pooblaščenem servisnem centru.

SPOZNAJTE SVOJ IZDELEK

Glejte stran 103

1. Gumb časovnika
2. Gumb za vklop / izklop
3. Pokrov akumulatorja
4. Zapah
5. Indikatorske lučke časovnika
6. Delovne luči LED
7. Ulito držalo
8. Vodni odtok
9. Zapestnica
10. Kavelj za sod za vodo
11. Valovita odtočna cev
12. Adapter G3/4
13. Priključek G3/4
14. Odtočni priključek za valovito odtočno cev
15. Zasučni zaklepi za nastavljanje višine
16. Filter za blato
17. Priročnik za uporabo
18. Filter za drobir
19. Akumulator
20. Polnilec
21. Vrtna cev

SIMBOLI NA IZDELKU



Pred izvajanjem del na pripomočku odstranite akumulatorski vložek.



Varnostni alarm
Prosimo, da si pred zagonom naprave pozorno preberete navodila.



Če podaljševalni obroči niso zaprti, ne ukrivljajte palice ali ohišja spodnjega ohišja črpalke, saj se lahko kabel v notranjosti zatakne.



Izdelka ne potopite nad kavelj za sod.



IPX5

Zaščita pred vdorom tekočine v prostor za baterijo



IPX8

Zaščita pred vdorom tekočine v glavo črpalke



1.2m

Največja globina delovanja



EurAsian oznaka o skladnosti



Evropski znak skladnosti



Britanski znak skladnosti



001

Ukrajinski znak skladnosti



Akumulatorja ne izpostavljajte dežju ali vlagi.

Odpadnih baterij in odpadne električne in elektronske opreme ne odlagajte med nesortirane gospodinjske odpadke. Odpadne baterije in odpadno električno in elektronsko opremo je treba zbirati ločeno. Odpadne baterije, odpadne akumulatorje in svetlobne vire je treba odstraniti iz opreme. Za informacije o recikliranju in mestih zbiranja odpadkov se obrnite na lokalno agencijo ali prodajalca. Skladno z lokalnimi predpisi morajo trgovci na drobno odpadne baterije in odpadno električno in elektronsko opremo morda brezplačno prevzeti. Vaš prispevek k ponovni uporabi in recikliranju odpadnih baterij in odpadne električne in elektronske opreme pomaga zmanjšati zahteve po surovinah. Odpadne baterije, predvsem tiste, ki vsebujejo litij, in odpadna električna in elektronska oprema vsebujejo dragocene materiale in materiale, ki jih je mogoče reciklirati, in lahko v primeru, da se ne odložijo na način, skladen z okoljem, negativno vplivajo na okolje in zdravje ljudi. Če so v odpadni opremi shranjeni osebni podatki, jih izbrišite.



SIMBOLI V TEM PRIROČNIKU



Deli ali dodatki so na prodaj ločeno



Opomba



Opozorilo

Pri návrhu vášho akumulátorového sudového čerpadla boli prvoradá bezpečnosť, výkon a spoľahlivosť.

ÚČEL POUŽITIA

Akumulátorové sudové čerpadlo je určené na prečerpávanie špinavej alebo čistej vody z bazénov, jazierok alebo nádrží. Tento výrobok sa môže použiť na odvádzanie povodňovej vody alebo prebytočnej dažďovej vody počas záplav. Výrobok je možné použiť aj na zavlažovanie v kombinácii so zavlažovacím príslušenstvom.

Tento výrobok je určený len na domáce alebo súkromné použitie. Tento výrobok sa môže používať vnútri aj vonku.

Nepoužívajte na žiadne iné účely.

VŠEOBECNÉ BEZPEČNOSTNÉ VÝSTRAHY

- Nikdy nedovoľte deťom, osobám so zníženými fyzickými, duševnými alebo zmyslovými schopnosťami alebo s nedostatočnými skúsenosťami a znalosťami alebo osobám, ktoré nie sú oboznámené s týmto návodom, používať produkt. Miestne platné predpisy môžu obmedzovať dobu použitia kosačky. Deti musia byť pod primeraným dozorom, aby sa nemohli s produktom hrať.
- Odložte všetky upozornenia a pokyny použité v budúcnosti. Často sa k nim vracajte a používajte ich na poučenie ostatných, ktorí môžu výrobok používať. Ak tento výrobok niekomu požičiate, požičajte mu aj tieto pokyny, aby sa zabránilo nesprávnemu používaniu výrobku a možnému poraneniu.
- Udržujte oblasť prevádzky mimo dosahu všetkých osôb, najmä malých detí a domácich zvierat.
- Pred každým použitím nástroj skontrolujte. Skontrolujte, či nie sú uvoľnené napínadlá a či sú všetky kryty a rukoväte správne a bezpečne nasadené. Pred použitím vymeňte všetky poškodené diely. Skontrolujte, či nedochádza k vytekaniu akumulátorovej jednotky.
- Zariadenie žiadnym spôsobom neupravujte ani nepoužívajte diely či príslušenstvo, ktoré neodporúča výrobca.
- Výrobok neobsluhujte bosí ani v sandáloch či inej podobnej ľahkej obuvi. Noste ochrannú obuv, ktorá ochráni vaše nohy a zlepši váš postoj na klzkých povrchoch.

- Dávajte pozor, aby ste sa nepošmykli alebo nespadli.
- Nevkladajte ruky do vstupných/výstupných otvorov výrobku, pokiaľ je zapnutý.
- Neinštalujte ani nepoužívajte výrobok vo výbušnom prostredí alebo v blízkosti horľavých materiálov.
- Výrobok nepoužívajte, ak sa nedá vypnúť vypínačom. Vypínač si nechajte vymeniť v autorizovanom servisnom stredisku.
- Vypnite výrobok, vyberte batériu a nechajte výrobok vychladnúť. Skontrolujte, či sa všetky pohyblivé diely úplne zastavili:
 - pred vykonávaním servisu
 - pred odstránením zablokovania
 - pred kontrolou, čistením alebo prácou na zariadení
 - pred výmenou príslušenstva
 - pred ponechaním výrobku bez dozoru
 - pri každom vykonávaní údržby
- V prípade nehody alebo poškodenia okamžite výrobok vypnite a vyberte z neho súpravu batérií. Nepoužívajte výrobok znovu, pokiaľ nebude úplne skontrolovaný autorizovaným servisným strediskom.

POUŽÍVANIE AKUMULÁTORA A STAROSTLIVOSŤ OŇ

- Nabíjajte len s použitím nabíjačky špecifikovanej výrobcom. Nabíjačka, ktorá je vhodná pre jeden typ jednotky akumulátora, môže pri použití s inou jednotkou akumulátora spôsobiť riziko požiaru.
- Používajte výlučne batérie určené špeciálne pre tento výrobok. Pri použití akýchkoľvek iných jednotiek akumulátorov vzniká riziko požiaru, úderu elektrickým prúdom alebo poranenia osôb.
- Poškodenú alebo upravenú batériu alebo výrobok nepoužívajte. Poškodené alebo upravené batérie môžu vykazovať nepredvídateľné správanie s následkom požiaru, výbuchu alebo poranenia.
- Batériu ani výrobok nevystavujte účinkom ohňa ani nadmerných teplôt. Vystavenie účinkom ohňa alebo nadmernej teploty nad 130 °C môže spôsobiť výbuch.
- Keď sa jednotka akumulátora nepoužíva, nedávajte ju do blízkosti iných kovových objektov, ako sú papierové sponky, mince, kľúče, klince, skrutky či iné malé kovové predmety, ktoré by mohli skratovať svorky.

Pri skratovaní svoriek akumulátora môže dôjsť k popáleninám alebo požiaru.

- Pri nevhodnom používaní môže z batérie vytekať tekutina. Zabráňte kontaktu s ňou. Pri náhodnom kontakte opláchnite vodou. Ak tekutina zasiahne oči, dodatočne vyhľadajte lekársku pomoc. Tekutina vytečená z akumulátora môže spôsobiť podráždenie alebo popáleniny.

BEZPEČNOSTNÉ VÝSTRAHY PRE AKUMULÁTOROVÉ SUDOVOÉ ČERPADLO

- Pri inštalácii sa uistite, že je batéria vybratá z batériového boxu.
- Výrobok neponárajte nad hák zavesenia na sud. Voda sa môže dostať do elektronických súčiastok a/alebo batérie, čo môže spôsobiť skrat, zvýšené riziko požiaru a vážne zranenie osôb.
- Uistite sa, že je filter zaistený a že je upevnený hák na sud s vodou, pre prípad, že by sa používal.
- Uistite sa, že všetky spoje sú bez netesností. Na spojovací závit použite tesniacu pásku alebo vhodný tesniaci materiál.
- Pri uťahovaní závitových spojov nepoužívajte nadmernú silu, ktorá by mohla spôsobiť poškodenie.
- Nepoužívajte výrobok na žieravé, abrazívne, výbušné alebo nebezpečné kvapaliny. Iné kvapaliny ako voda poškodzujú produkt, môžu spôsobiť požiar a môžu spôsobiť fyzické zranenie obsluhy.
- Nepoužívajte výrobok na pitnú vodu.
- Nepoužívajte výrobok bez kvapaliny. Výrobok nenechajte bežať nasucho.
- Nepoužívajte výrobok, keď sa vo vode nachádzajú ľudia.
- Neodstraňujte hadicu, pokiaľ výrobok stále pracuje.
- Mohlo by dôjsť k znečisteniu kvapaliny v dôsledku úniku mazív.
- Voda vypúšťaná z výrobku môže spôsobiť navlhnutie zeme, čo môže viesť k pošmyknutiu. Po ukončení práce s výrobkom nezabudnite odstrániť vytečenú vodu.
- Vodu nevypúšťajte do priestorov s elektrickými alebo vysokonapäťovými prvkami, aktívnymi chemikáliami alebo inými predmetmi či látkami, ktoré by mohli po zmiešaní s vodou spôsobiť nebezpečenstvo.

- Výrobok držte bezpečne tam, kde je nalisovaná rukoväť. Vždy noste zápästnú šnúрку, okrem prípadov, keď sa používa hák na zavesenie na sud. Počas prevádzky nenechávajte výrobok bez dozoru. Uistite sa, že sa výrobok nemôže prevrátiť.
- Vnútro priehradky na batériu nevystavujte dažďu alebo vlhkému prostrediu. Výrobok je odolný voči vode len vtedy, keď je priehradka na batérie zatvorená, uzamknutá a nepoškodená. Vniknutie vody do výrobku zvyšuje riziko úrazu elektrickým prúdom.

DOPLNKOVÉ BEZPEČNOSTNÉ VÝSTRAHY PRE BATÉRIU

Aby ste znížili riziko požiaru alebo poškodenia výrobku skratom, nikdy výrobok, akumulátor ani nabíjačku neponárajte do kvapaliny ani nedovoľte, aby sa do nich kvapalina dostala. Korodujúce alebo vodivé kvapaliny, ako je slaná voda, určité chemikálie a bieliace prostriedky alebo výrobky, ktoré obsahujú bielidlo, môžu spôsobiť skrat.

PREPRAVA A SKLADOVANIE

- Pred uskladnením alebo dopravou výrobok vypnite, vyberte z neho súpravu batérií a nechajte ho vychladnúť.
- Pred uskladnením výrobok starostlivo vyčistite. Prebytočnú vodu odstráňte úplným vysunutím výrobku. Výrobok skladujte vo zvislej polohe a úplne vysunutý, aby voda úplne vytiekla. Výrobok skladujte na suchom, dobre vetranom mieste, ktoré nie je prístupné deťom. Nedávajte zariadenie do blízkosti korozných činidiel, ako sú záhradné chemikálie a rozmrazovacie soli. Výrobok nenechávajte vonku počas mrazov.
- Pri preprave zaistite produkt pred pohybom alebo pádom, aby nedošlo k poraneniu osôb alebo poškodeniu produktu.

PREPRAVA LÍTOVÝCH AKUMULÁTOROV

Akumulátory prepravujte v súlade s miestnymi smernicami a nariadeniami.

Keď akumulátory prepravuje tretia strana, dodržiavajte všetky požiadavky na balení a označení. Zabezpečte, aby počas prepravy akumulátory neprišli do kontaktu s inými akumulátormi ani vodivými materiálmi – chráňte obnažené konektory pomocou izolácie, nevodivými viečkami alebo páskou. Neprepravujte akumulátory, ktoré sú prasknuté alebo vytekajú. Ďalšie pokyny zistíte u nasledujúcej spoločnosti.

ÚDRŽBA

- Používajte len originálne náhradné diely, príslušenstvo a nástavce výrobcu. V opačnom prípade môže dôjsť k možnému poraneniu, nedostatočnému výkonu a strate platnosti záruky.
- Údržba vyžaduje extrémnu starostlivosť a znalosti, a musí byť prevádzaná výhradne v autorizovanom servise. Servis výrobku zverte len autorizovanému servisnému stredisku.
- Môžete vykonávať úpravy a opravy popísané v tejto príručke. Pri ostatných opravách alebo ak potrebujete radu, vyhľadajte pomoc v autorizovanom servisnom centre.
- Pravidelne kontrolujte čerpadlo, hadice, prívod vody a filtre. Uistite sa, že hadice, prívod vody a filtre sú bez blata, piesku a nečistôt. Uistite sa, že nedošlo k poškodeniu.
- Po každom použití vyčistite produkt mäkkou suchou tkaninou. Ak výrobok nepoužívate, udržiavajte ho suchý, čistý a bez oleja a maziva. Akýkoľvek poškodený diel sa musí náležite opraviť alebo vymeniť v autorizovanom servisnom centre.
- Filter čistite len vtedy, keď sa viditeľne zníži jeho funkčnosť.
- Prineste produkt to autorizovaného servisného centra na výmenu poškodených alebo nečitateľných štítkov.

OBOZNÁMTE SA S VAŠIM PRODUKTOM

Pozrite stranu 103.

1. Tlačidlo časovača
2. Hlavný spínač
3. Kryt batérie
4. Západka
5. Indikačné svetlá časovača
6. Pracovné LED svetlá
7. Nalisovaná rukoväť
8. Odtok vody
9. Zápätná šnúrka
10. Hák zavesenia na sud
11. Vlnitá vypúšťacia hadica
12. Adaptér G3/4
13. Konektor G3/4
14. Odtokový adaptér pre vlnitú vypúšťaciu hadicu
15. Otočné zámky na nastavenie výšky
16. Kalový filter
17. Návod na obsluhu
18. Filter na mechanické nečistoty
19. Batéria
20. Nabíjačka
21. Záhradná hadica

SYMBOLY NA PRODUKTE



Vyberte sadu batérií pred vykonávaním akýchkoľvek prác na výrobku.



Výstražná značka
Pred zapnutím zariadenia si prosím prečítajte inštrukcie.



Zabráňte krúteniu tyče alebo spodného krytu čerpadla, keď sú predlžovacie manžety uvoľnené, pretože by to mohlo zviazať kábel vo vnútri.



Výrobok neponárajte nad hák zavesenia na sud.



IPX5

Ochrana pred vniknutím priehradky na batérie



IPX8

Ochrana pred vniknutím hlavy čerpadla



1.2m

Maximálna prevádzková hĺbka



Euroázijská značka zhody



Európske označenie zhody



Britské označenie zhody



001

Ukrajinské označenie zhody



Súpravu batérií nevystavujte účinkom dažďa a mokrých podmienok.

Odpadové batérie a akumulátory a odpadové elektrické a elektronické zariadenia nelikvidujte ako netriedený komunálny odpad. Odpadové batérie a akumulátory a odpadové elektrické a elektronické zariadenia sa musia zbierať separovane. Odpadové batérie, odpadové akumulátory a svetelné zdroje treba z výrobku vybrať. Informácie o zbernom mieste získate od miestneho orgánu verejnej správy alebo vám ich poskytne maloobchodný predajca. Podľa miestnych predpisov môžu mať maloobchodníci povinnosť bezplatne prevziať odpadové batérie a akumulátory a odpadové elektrické a elektronické zariadenia. Váš príspevok k opätovnému použitiu a recyklácii odpadových batérií a akumulátorov a odpadových elektrických a elektronických zariadení pomáha znižovať dopyt po surovinách. Odpadové batérie a akumulátory, konkrétne tie, ktoré obsahujú lítium, a odpadové elektrické a elektronické zariadenia obsahujú cenné a recyklovateľné materiály, ktoré môžu mať nepriaznivý vplyv na životné prostredie a ľudské zdravie, ak sa nelikvidujú ekologicky vhodným spôsobom. Odstráňte prípadné osobné údaje z odpadového zariadenia.



SYMBOLY V TOMTO NÁVODE



Diely alebo príslušenstvo predávané samostatne



Poznámka



Varovanie

Безопасността, работните характеристики и надеждността имат най-висок приоритет при проектирането на Вашата безжична вертикална помпа.

ПРЕДНАЗНАЧЕНИЕ

Безжичната вертикална помпа е предназначена за прехвърляне на мръсна или чиста вода от басейни, езера или резервоари. Продуктът може да се използва за източване на вода при наводнения или излишна дъждовна вода по време на проливен дъжд. Продуктът може да се използва и за напояване, когато се комбинира с аксесоари за поливане.

Продуктът е предназначен само за домашна или битова употреба. Може да се използва на закрито и на открито.

Не го използвайте за никакви други цели.

ОБЩИ ПРЕДУПРЕЖДЕНИЯ ЗА БЕЗОПАСНОСТ

- Никога не позволявайте продуктът да бъде използван от: деца; лица с намалени физически, сетивни или умствени способности; лица без необходимите опит и знания; лица, които не са запознати с настоящите инструкции. Местните наредби могат да налагат ограничения за възрастта на оператора. Децата трябва да бъдат внимателно надзиравани, за да се гарантира, че не си играят с продукта.
- Съхранявайте всички предупреждения и инструкции за бъдещи справки. Правете често справка с тях и ги използвайте, за да инструктирате други лица, които може да използват продукта. Ако заемате продукта на някого, дайте също и тези инструкции, за да предотвратите неправилна употреба на продукта и възможни наранявания.
- В зоната, в която се използва, не трябва да има хора, особено деца, или домашни любимци.
- Преди всяка употреба проверявайте машината за неизправности. Проверявайте за разхлабени свързки, течове на гориво и др. Уверете се, че всички предпазители и дръжки са правилно стабилно прикрупени. Заменяйте повредените части преди употреба. Проверете батерията за течове.
- Не модифицирайте машината по никакъв начин и не използвайте

части и принадлежности, които не са препоръчани от производителя.

- Не работете с продукта, докато сте с боси крака или когато носите отворени сандали или подобни леки обувки. Носете защитни обувки, които ще пазят краката ви и същевременно ще ви осигурят по-добра стабилност върху хлъзгави повърхности.
- Внимавайте да не се подхлъзнете или да не паднете.
- Не вкарвайте ръце във входящите/изходящите отвори на продукта, докато е включен.
- Не инсталирайте и не използвайте продукта в избухлива среда или близо до леснозапалими материали.
- Не използвайте продукта, ако не той не се изключва с превключвателя. Превключвателят трябва да се смени от упълномощен сервизен център.
- Изключете продукта, извадете батерията и го оставете да изстине. Уверете се, че всички движещи се части са спрели напълно:
 - преди обслужване
 - преди почистване на запушване
 - преди проверка, почистване или работа по уреда
 - преди смяна на принадлежности
 - преди оставяне на изделието без надзор
 - всеки път при извършване на техническо обслужване
- В случай на неизправност или повреда изключете и свалете акумулаторната батерия. Не работете с продукта отново, докато той не премине щателна проверка в оторизиран сервизен център.

ИЗПОЛЗВАНЕ И ОБСЛУЖВАНЕ НА ИНСТРУМЕНТА С БАТЕРИЯ

- Презареждайте единствено със зарядното устройство, посочено от производителя. Зарядно устройство, подходящо за зареждане на един вид батерии, може да предизвика риск от пожар, ако бъде използвано за други батерии.
- Използвайте само батерии, предназначени конкретно за продукта. Използването на други батерии може да доведе до риск от пожар, токов удар или физическо увреждане.
- Не използвайте батерия или продукт, които са повредени или изменени.

Повредените или променени батерии могат да работят по непредсказуем начин, което да доведе до пожар, взрив или опасност от наранявания.

- Не излагайте батерията или продукт на огън или прекалено високи температури. Излагането на огън или на температура над 130°C може да причини взрив.
- Когато батерията не се използва, съхранявайте я далеч от други метални обекти, като например кламери, монети, ключове, гвоздеи, гайки или други малки метални обекти, които могат да направят връзка между клемите. Късото съединение от клемите може да доведе до изгаряния или пожар.
- При неподходящи условия от батерията може да изтече течност. Да се избягва контакт. Ако случайно настъпи контакт, промийте с вода. Ако течността влезе в контакт с очите, потърсете незабавно медицинска помощ. Отделената от батерията течност може да причини възпаление или изгаряния.

ПРЕДУПРЕЖДЕНИЯ ЗА БЕЗОПАСНОСТ ПРИ РАБОТА С БЕЗЖИЧНАТА ВЕРТИКАЛНА ПОМПА

- Уверете се, че батерията е извадена от кутията за батерия, когато инсталирате продукта.
- Не потапяйте продукта над куката за водния резервоар. Възможно е в електронните компоненти и/или батерията да навлезе вода, което може да доведе до късо съединение, увеличаване на риска от пожар и сериозно физическо нараняване.
- Уверете се, че филтърът е добре закрепен и че куката за водния резервоар е фиксирана, ако ще се използва.
- Уверете се, че всички връзки са непромукаеми. Използвайте лента за уплътняване на резби или подходящ уплътнител за резбата на съединението.
- При затягането на резбовани съединения не прилагайте прекомерна сила, която може да доведе до повреда.
- Не използвайте продукта за корозивни, абразивни, избухливи или опасни течности. Течности, различни от вода, могат да повредят продукта, да създадат риск от пожар и потенциално да доведат до физически наранявания на оператора.

- Не използвайте продукта с питейна вода.
- Не включвайте продукта без наличие на течност. Не стартирайте продукта на сухо.
- Не използвайте продукта, когато във водата има хора.
- Не изваждайте маркуча, докато продуктът работи.
- Може да възникне замърсяване на течността поради теч на смазочни вещества.
- Водата, отведена от продукта, може да намокри пода, който да стане хлъзгав. Не забравяйте да почистите отведената вода, след като използвате продукта.
- Не отвеждайте водата в зони с електрически елементи или такива под високо напрежение, активни химикали или други предмети или вещества, които могат да доведат до рискове при смесване с вода.
- Дръжте продукта здраво, когато има отлята дръжка. Винаги носете ремъка за китка, освен когато се използва куката за резервоар. Не оставяйте продукта без надзор, докато се използва. Уверете се, че продуктът не може да се преобърне.
- Не излагайте вътрешността на отделението за батерия на дъжд или влага. Продуктът е водоустойчив само когато отделението за батерия е затворено, заключено и без повреди. Проникването на вода в продукта увеличава риска от токов удар.

ДОПЪЛНИТЕЛНИ ПРЕДУПРЕЖДЕНИЯ ЗА БЕЗОПАСНОСТ ЗА БАТЕРИЯТА

За да намалите риска от пожар, физическо нараняване и повреда на продукта поради късо съединение, никога не потапяйте продукта, комплекта батерии или зарядното устройство в течност и не позволявайте в тях да проникне течност. Течностите, предизвикващи корозия или провеждащи електричество, като солена вода, определени химикали, избелващи вещества или продукти, съдържащи избелващи вещества, могат да предизвикат късо съединение.

ТРАНСПОРТИРАНЕ И СЪХРАНЕНИЕ

- Изключете продукта, извадете акумулаторната батерия и го изчакайте да се охлади, преди да го приберете за съхранение или да го транспортирате.

- Почистете старателно продукта преди да го приберете за съхранение. Отстранете излишната вода, като изпънете продукта докрай. Съхранявайте продукта в изправено и напълно изпънато положение, за да се оттече водата докрай. Съхранявайте продукта в суха и добре проветрена зона, до която нямат достъп деца. Дръжте продукта далече от разяждащи вещества, като например градински химикали и размразяващи соли. Не оставяйте продукта навън при много ниски температури.
- Когато транспортирате продукта, го обезопасете така, че да не може да се движи или да падне, защото това може да доведе до евентуални наранявания на хора или повреди по продукта.

ТРАНСПОРТИРАНЕ НА ЛИТИЕВИ БАТЕРИИ

Транспортирайте батериите в съответствие с местните и национални постановления и разпоредби.

Спазвайте всички специални изисквания за пакетиране и етикетирание, когато транспортирате батерии чрез трето лице. Уверете се, че батериите не влизат в контакт с други батерии или проводими материали по време на транспортиране, като предпазите откритите конектори с изолация, непроводими капачета или лента. Не транспортирайте батерии, които са спукани или текат. Свържете се със следната компания за допълнителен съвет.

ПОДДРЪЖКА

- Използвайте само оригинални резервни части, аксесоари и приставки от производителя. В противен случай може да се влоши работата на инструмента или да получите тежки контузии, а гаранцията ви ще стане невалидна.
- Сервизното обслужване изисква изключително внимание и специфични познания и следва да бъде извършвано само от квалифициран техник. Продуктът трябва да бъде ремонтиран само в упълномощен сервиз.
- Можете да правите настройки и поправки, описани в това ръководство

на потребителя. За други поправки или съвети потърсете съдействие от оторизиран сервизен център.

- Проверявайте редовно помпата, маркучите, входящия отвор за вода и филтрите. Уверете се, че в маркучите, входящия отвор за вода и филтрите няма кал, пясък и отпадъци. Уверете се, че няма повреди.
- Всеки път след употреба почиствайте продукта с мека и суха кърпа. Поддържайте продукта сух, чист и без масло и смазка, когато не се използва. Всяка повредена част трябва да бъде поправена или заменена от упълномощен сервизен център.
- Почиствайте филтъра само когато има очевидно отклонение във функционалността.
- Занесете продукта в оторизиран сервизен център, ако е необходима замяна на повредени или нечетливи етикети.

ОПОЗНАЙТЕ ВАШИЯ ПРОДУКТ

Вж. страница 103.

1. Бутон за таймера
2. Бутон on/off (вкл./изкл.)
3. Капак на батерията
4. Ключалка
5. Индикаторни лампи на таймера
6. LED работна лампа
7. Отлята дръжка
8. Изходящ отвор за вода
9. Каишка за китка
10. Кука за водния резервоар
11. Гофриран маркуч за изпраждане
12. Адаптер G3/4
13. Конектор G3/4
14. Адаптер за гофриран маркуч за изпраждане
15. Ключалки с въртящ механизъм за регулиране на височината
16. Филтър за кал
17. Ръководство за оператора
18. Филтър за отпадъци
19. Батерия
20. Зарядно устройство
21. Градински маркуч

СИМВОЛИ НА ПРОДУКТА



Извадете батерията, преди да започнете каквато и да е работа по уреда.



Предупреждение относно безопасността
Прочетете инструкциите внимателно, преди да стартирате машината.



Не усуквайте пръта или долния корпус на помпата, когато пръстените за удължител са в отключено положение, тъй като това може да доведе до огъване на кабела вътре.



Не потапяйте продукта над куката за водния резервоар.



IPX5

Защита от проникване в отделението за батерията



IPX8

Защита от проникване на главата на помпата



1.2m

Максимална работна дълбочина



EurAsian знак за съответствие



Знак за съответствие с европейските изисквания



Знак за съответствие с изискванията на Обединеното кралство



001

Знак за съответствие с изискванията на Украйна



Не излагайте акумулаторната батерия на дъжд или влага.



Не изхвърляйте отпадъците от батерии, електрическо и електронно оборудване като несортирани битови отпадъци. Отпадъците от батерии и електрически и електронно оборудване трябва да се събират отделно. Отпадъците от батерии, акумулатори и светлинни източници трябва да бъдат премахнати от оборудването. Обърнете се към местните власти или към продавача за съвет относно рециклирането и местата за събиране. Съгласно местните разпоредби търговците на дребно трябва да бъдат задължени да приемат обратно отпадъци от батерии и електрическо и електронно оборудване. Вашият принос за повторната употреба и рециклирането на отпадъци от батерии и електрическо и електронно оборудване помага за намаляване на търсенето на суровини. Отпадъците от батерии, особено съдържащите литий, и електрическо и електронно оборудване съдържат ценни, подходящи за рециклиране материали, които може да имат неблагоприятно въздействие върху околната среда и човешкото здраве, ако не бъдат изхвърлени по екологичен начин. Ако на отпадъчното оборудване има лични данни, изтрийте ги.

СИМВОЛИ В НАСТОЯЩОТО РЪКОВОДСТВО



Частите или принадлежностите се продават отделно



Забележка



Предупреждение

Головними міркуваннями при розробці цього бездротового бочкового насоса були безпека, ефективність та надійність.

ПЕРЕДБАЧУВАНОМУ ВИКОРИСТАННІ

Бездротовий бочковий насос призначено для викачування чистої або брудної води зі ставків, басейнів та ємностей. Виріб можна використовувати для відкачування води при затопленні та контролю рівня дощової води при зливах. При підключенні поливної системи виріб можна також використовувати для поливу.

Пристрій призначений тільки для домашнього та побутового використання. Виріб можна використовувати як у приміщенні, так і просто неба.

Не використовуйте для будь-яких інших цілей.

ЗАГАЛЬНІ ЗАХОДИ БЕЗПЕКИ

- Ніколи не дозволяйте дітям, людям зі зниженими фізичними, сенсорними або розумовими здібностями або з недостатнім досвідом і знаннями, або людям, не знайомим з цими інструкціями, користуватися виробом. Місцеве законодавство може обмежувати вік оператора. Потрібно належним чином стежити за дітьми, щоб вони не грали з машиною.
- Збережіть всі інструкції і вказівки для майбутнього використання. Переглядайте інструкцію час від часу та посилайтеся на неї при інструктуванні інших осіб стосовно експлуатації виробу. Передаючи інструмент у тимчасове користування іншим особам, давайте його разом із цим керівництвом, щоби запобігти нецільовому використанню та потенційному травмуванню.
- У робочій зоні не має бути людей, зокрема дітей, а також домашніх тварин.
- Огляньте виріб перед кожним використанням. Переконайтеся у відсутності протікання палива або послаблених кріплень тощо. Переконайтеся, що всі захисні огорожі, дефлектори і ручки правильно і надійно закріплені. У разі виявлення пошкоджених частин замініть їх до початку роботи. Переконайтеся у відсутності витоків акумулятора.

- Не змінюйте продукт в будь-яким чином або не використовуйте деталі та аксесуари, які не рекомендовані виробником.
- Забороняється використовувати виріб босоніж або у легкому взутті, наприклад, у сандалях. Надягайте робоче взуття, яке захистить ноги та допоможе надійно пересуватися на слизьких поверхнях.
- Будьте обережні, щоб уникнути ковзання або падіння.
- Не совайте руки до вхідних/вихідних отворів виробу, коли він увімкнений.
- Не встановлюйте і не використовуйте виріб у вибухонебезпечному середовищі та поблизу від горючих матеріалів.
- Заборонено використання виробу, якщо він не вимикається за допомогою головного вимикача. Для заміни несправного вимикача звертайтеся до авторизованого сервісного центру.
- Вимкніть виріб, вийміть акумуляторну батарею та дайте виробу охолонути. Переконайтеся, що всі рухомі частини зупинилися:
 - перед обслуговуванням
 - перед очищенням закупорення
 - перед перевіркою, чищенням, або роботі на продукті
 - перед зміною приладдя
 - до того, як залишити продукт без нагляду
 - перед кожним технічним обслуговуванням
- У разі нещасного випадку або пошкодження, негайно вимкніть пристрій та від'єднайте акумуляторну батарею. Не використовуйте прилад знову до проведення його повної перевірки в авторизованому сервісному центрі.

ВИКОРИСТАННЯ І ДОГЛЯД ІНСТРУМЕНТУ НА БАТАРЕЙКАХ

- Перезаряджати тільки за допомогою зарядного пристрою, зазначеного виробником. Зарядний пристрій, що підходить для одного типу акумуляторів, може створити ризик загоряння при використанні з іншим акумуляторним блоком.
- Використовуйте тільки акумуляторні батареї, призначені для цього виробу. Використання будь-яких інших акумуляторів може призвести до ризику виникнення пожежі, ураження електричним струмом або травмування осіб.

- Заборонено використовувати акумуляторні батареї або виріб, якщо вони були пошкоджені або модифіковані. Використання пошкоджених або модифікованих акумуляторів може мати непередбачувані наслідки, серед яких: виникнення пожежі, вибуху та ризик травмування.
- Слідкуйте за тим, щоби акумуляторна батарея та виріб не опинилися поблизу джерела вогню або високої температури. Загоряння або висока температура понад 130°C можуть стати причиною вибуху.
- Коли акумуляторна батарея не використовується, тримайте її подалі від металевих предметів, таких як кліпси, монети, ключі, цвяхи, гвинти або інші невеликі металеві предмети, які можуть замкнути клеми. Коротке замикання контактів акумулятора може призвести до опіків або пожежі.
- При неналежних умовах експлуатації з акумулятора може витікати рідина. Уникати контакту. При випадковому контакті змийте водою. Якщо рідина потрапила в очі, зверніться за медичною допомогою. Рідина з акумулятора може викликати роздратування або опіки.

ЗАХОДИ БЕЗПЕКИ ПРИ ЕКСПЛУАТАЦІЇ БЕЗДРОТОВОГО БОЧКОВОГО НАСОСА

- При встановленні виробу переконайтеся, що акумуляторна батарея виїнята з акумуляторного відсіку.
- Не занурюйте виріб глибше, ніж по гачок ємності для води. Вода може потрапити на електронні компоненти та (або) акумуляторну батарею, що може призвести до короткого замикання, ризику загоряння та серйозних травм.
- Переконайтеся в надійності кріплення фільтра та гачка, якщо він використовується.
- Переконайтеся, що всі стики герметичні. На різьбових з'єднаннях використовуйте відповідну ущільнювальну стрічку або герметик.
- При закручуванні різьбових стиків не використовуйте надлишкових зусиль, щоби не пошкодити їх.
- Не використовуйте виріб для перекачування корозійних, абразивних, вибухонебезпечних та небезпечних рідин. Перекачування будь-

яких рідин, окрім води, може призвести до пошкодження виробу, ризику загоряння та фізичного травмування оператора.

- Не використовуйте пристрій для питної води.
- Не вмикайте виріб без рідини. Не вмикайте виріб всуху.
- Не використовуйте виріб, коли у воді знаходяться люди.
- Не знімайте шланг, доки виріб працює.
- Через витікання мастильних матеріалів рідина може забруднюватися.
- При викиданні води з виробу ґрунт зволожується та може стати слизьким. Зливайте воду з насоса після роботи.
- Не зливайте воду в місцях, де проходять мережі електропостачання або знаходяться елементи під високою напругою, активні хімічні речовини та інші об'єкти або речовини, котрі при змішуванні з водою можуть становити небезпеку.
- Надійно тримайте виріб за захват. Якщо виріб не закріплюється за гачок, завжди страхуйте його ременем, котрий закріплюється на зап'ясті. Не залишайте виріб, який працює, без нагляду. Надійно закріплюйте виріб, щоби він не перекинувся.

- Слідкуйте за тим, щоби до акумуляторного відсіку під час дощу або при вологій погоді не потрапила вода. Виріб водостійкий тільки при закритому, зафіксованому і справному акумуляторному відсіку. При потрапленні води всередину виробу збільшується ризик ураження електричним струмом.

ДОДАТКОВІ ПОПЕРЕДЖЕННЯ З ТЕХНІКИ БЕЗПЕКИ ЩОДО ВИКОРИСТАННЯ АКУМУЛЯТОРІВ

Для зменшення ризику загоряння, травмування та пошкодження пристрою у разі короткого замикання ніколи не занурюйте виріб, акумуляторну батарею або зарядний пристрій у рідину та не допускайте потраплення рідини всередину. Корозійні і струмопровідні рідини, такі як солоний розчин, певні хімікати, вибілювальні засоби або продукти, що їх містять, можуть призвести до короткого замикання.

ТРАНСПОРТУВАННЯ ТА ЗБЕРІГАННЯ

- Перед зберіганням або чищенням вимкніть пристрій, вийміть акумулятор та дайте пристрою охолонути.
- Ретельно очистіть пристрій перед тим, як зберігати. Зливайте зайву воду, повністю розтягуючи шланг. Зберігайте виріб у вертикальному положенні та повністю розтягнутим, щоби забезпечити повне витікання води. Зберігайте виріб у сухому, добре вентиляваному та недоступному для дітей місці. Зберігати подалі від агресивних агентів, таких як садові хімікати і солей проти обледеніння. Не залишайте виріб під відкритим небом за мінусової температури.
- Під час транспортування приладу в автомобілі закріпіть його, щоби запобігти його переміщенню чи падінню, оскільки це може призвести до травмування людей або пошкодження самого виробу.

ПЕРЕВЕЗЕННЯ ЛІТІЄВИХ БАТАРЕЙ

Здійсніть транспортування акумуляторної батареї відповідно до місцевих та загальнодержавних норм і правил.

Дотримуйтеся всі спеціальні вимоги до упаковки і маркування при транспортуванні батареї третьою стороною. Переконайтеся, що під час транспортування акумулятор не вступає в контакт з іншими акумуляторними батареями або струмопровідними матеріалами та захистіть відкриті роз'єми ізоляційними непровідними кришками або стрічкою. Чи не переносьте акумулятори, тріснути або бігу. Зв'язатися з нами для отримання подальших рекомендацій.

ТЕХНІЧНЕ ОБСЛУГОВУВАННЯ

- Використовуйте тільки оригінальні запасні частини, аксесуари та обладнання від виробника. Невиконання цієї вимоги може привести до можливої травми, поганої продуктивності та може призвести до втрати гарантії.
- Обслуговування вимагає крайньої обережності і знання і повинно бути виконане тільки кваліфікованим фахівцем. Звертайтеся тільки до авторизованого сервісного центру.

- Ви можете зробити регулювання та ремонт, описані в цьому посібнику користувача. Для інших ремонтних робіт, зверніться до авторизованого сервісного агента.
- Періодично оглядайте насос, шланги, вхідний отвір і фільтри. Слідкуйте за тим, щоби у шлангах, патрубках і фільтрах не залишалось бруду, піску та сміття. Перевіряйте виріб на відсутність ушкоджень.
- Після кожного використання, очистіть виріб м'якою сухою тканиною. Коли виріб не використовується, він має бути сухим, чистим від оливи та змащення. Будь-яка пошкоджена деталь, має бути правильно відремонтована або замінена в авторизованому сервісному центрі.
- Чистьте фільтр тільки тоді, коли помітно знижується ефективність перекачування.
- Принесіть продукт в авторизований сервісний центр для заміни пошкоджених або нечитаемих етикеток.

ЗНАЙ СВІЙ ПРОДУКТ

Дивіться сторінку 103.

1. Кнопка таймера
2. Кнопка вмикання/вимикання
3. Кришка акумуляторного відсіку
4. Запор
5. Індикатори таймера
6. Світлодіодні індикатори роботи
7. Захват
8. Випускний отвір для води
9. Ремінець для зап'ястя
10. Гак для кріплення на бочку
11. Гофрований випускний шланг
12. Адаптер G3/4
13. Роз'єм G3/4
14. Вихідний адаптер для гофрованого випускного шлангу
15. Поворотні замки з регулюванням висоти
16. Фільтр для бруду
17. Інструкція з експлуатації
18. Фільтр для сміття
19. Акумуляторна батарея
20. Зарядний пристрій
21. Садовий шланг

СИМВОЛИ НА ПРОДУКТІ



Вийміть батарею перед початком ремонту або технічного обслуговування приладу.



Попередження
Перед початком роботи с пристроєм уважно прочитайте інструкції.



Не перекручуйте опору та нижній корпус насоса при знятті муфт, оскільки це може призвести до скручування кабелів усередині.



Не занурюйте виріб глибше, ніж по гачок ємності для води.



Захист акумуляторного відсіку від протікання



Ступінь захисту головки насосу



Максимальна робоча глибина



Євразійська знак відповідності.



Європейський знак відповідності



Британський знак відповідності



Український знак відповідності



Акумуляторна батарея не має потрапляти під дощ або в умови підвищеної вологості.



Не викидайте старі акумулятори, старе електричне та електронне устаткування разом із несорттованим побутовим сміттям. Старі акумулятори, старе електричне та електронне устаткування збираються окремо. З устаткування необхідно зняти старі батареї, акумулятори та джерела світла. За консультацією по утилізації пристрою слід звернутися до органу місцевої влади або до дилера. Місцеве законодавство може зобов'язувати продавців безкоштовно приймати старі акумулятори та електричне й електронне устаткування. Ваш внесок до справи повторного використання та переробки старих акумуляторів, електричного та електронного устаткування зменшує потребу у сировині. В акумуляторах, особливо літєвих, і старому електричному та електронному устаткуванні містяться цінні, придатні для переробки матеріали, і якщо утилізація такого устаткування проводиться у неекологічний спосіб, це негативно впливає на навколишнє середовище та людське здоров'я. Видаліть персональні дані з устаткування, яке передається на переробку.

СИМВОЛИ В ЦЬОМУ ПОСІБНИКУ



Запчастини та аксесуари, що продаються окремо



ПРИМІТКА



Попередження

Kablosuz stik pompanızın tasarımında güvenlik, performans ve güvenilirliğe en yüksek öncelik verilmiştir.

KULLANIM AMACI

Kablosuz stik pompa, gölet, havuz veya depolardan temiz veya kirli suyu çıkarmak için tasarlanmıştır. Ürün, taşkın suyunu tahliye etmek veya taşkınlar sırasında fazla yağmur suyunu boşaltmak için kullanılabilir. Ürün ayrıca sulama aksesuarları ile birlikte sulama amacıyla da kullanılabilir.

Ürün sadece evde veya kapalı mekanlarda kullanıma yöneliktir. Ürün iç ve dış mekanlarda kullanılabilir.

Başka herhangi bir amaçla kullanmayın.

GENEL GÜVENLİK UYARILARI

- Hiçbir zaman çocukların, fiziksel, duyuşal veya zihinsel becerileri kısıtlı veya tecrübesiz ve bilgisi yetersiz kişilerin veya bu talimatları bilmeyen insanların bu ürünü kullanmasına izin vermeyin. Yerel yönetmelikler kullanıcının yaşına kısıtlama getirebilir. Ürünle oynamadıklarından emin olmak için çocuklara uygun şekilde nezaret edilmelidir.
- İleride başvurmak üzere tüm uyarıları ve talimatları saklayın. Bunlara sık sık başvurun ve ürünü kullanabilecek diğer kişilere talimat vermek için bunları kullanın. Ürünü birine verirken, ürünün yanlış kullanımını ve olası yaralanmaları önlemek için onlara bu talimatları da verin.
- Herkesi, özellikle küçük çocukları ve evcil hayvanları çalışma alanından uzaklaştırın.
- Her kullanım öncesi makineyi inceleyin. Gevşemiş tespit elemanları, yakıt sızıntıları olup olmadığını kontrol edin. Tüm korkuluk ve tutamakların yerlerinde bulduklarından emin olun. Kullanmadan önce hasarlı parçaları değiştirin. Pil sızıntı olup olmadığını kontrol edin.
- Üründe herhangi bir değişiklik yapmayın veya üretici tarafından önerilmeyen parçalar ve aksesuarlar kullanmayın.
- Çıplak ayakla veya sandalet ya da benzer hafif ayakkabılar giyerken ürünü çalıştırmayın. Ayaklarınızı koruyacak ve kaygan yüzeylerde yürümenizi kolaylaştıracak koruyucu ayakkabı giyin.
- Kayma ve düşmeye karşı dikkatli olun.

- Ürün açık konumdayken giriş/çıkışlarına el sokmaktan kaçının.
- Ürünü patlayıcı bir ortamda veya yanıcı malzemelerin yakınında kurmayın veya çalıştırmayın.
- Şalter ürünü durdurmuyorsa, ürünü kullanmayın. Şalterin yetkili bir servis merkezinde değiştirilmesini sağlayın.
- Ürünü kapatın, pil takımını sökün ve ürünü soğumaya bırakın. Tüm hareketli parçaların tamamen durduğundan emin olun:
 - servis yapmadan önce
 - tıkanıklığı temizlemeden önce
 - ürünü kontrol etme, temizleme ve ürün üzerinde çalışmadan önce
 - aksesuarları değiştirmeden önce
 - ürünün yanından ayrılmadan önce
 - bakım yapıldığı her zaman
- Bir kaza ya da arıza durumunda ürünü derhal durdurun ve pil takımını çıkarın. Yetkili servis merkezi tarafından kontrol edilene dek ürünü tekrar çalıştırmayın.

PİLLİ ALET KULLANIMI VE BAKIMI

- Sadece üretici tarafından belirtilen şarj cihazı ile şarj edin. Tek bir pil takımı tipine uygun bir şarj cihazı başka bir pil takımı ile birlikte kullanıldığında yangın riski oluşturabilir.
- Sadece ürün için özel olarak tasarlanmış pil takımlarını kullanın. Farklı pil paketlerinin kullanımı yangın, elektrik çarpması ya da kişilerin yaralanması riskine yol açabilir.
- Hasar görmüş veya değiştirilmiş bir pil takımını ya da ürünü kullanmayın. Hasar görmüş ya da değiştirilmiş piller yangın, patlama ya da yaralanma riskine yol açabilecek beklenmeyen davranış sergileyebilir.
- Pil takımını veya ürünü ateş ya da aşırı ısılarla maruz bırakmayın. Ateş ya da 130°C üzerinde sığağa maruz bırakıldığında patlama olabilir.
- Pil takımı kullanılmadığı zaman ataş, bozuk para, anahtar, çivi, vida ve diğer metal nesnelere gibi bir terminalden diğerine bağlantı oluşturabilecek diğer metal nesnelere uzak tutun. Pil terminallerinin birlikte kısa devre yapması yangına veya yangına neden olabilir.
- Kötü kullanım durumlarında bataryadan sıvı sızabilir. Temastan kaçının. Eğer kazara

temas ederseniz temas eden yeri suyla yıkayın. Eğer sıvı gözlerinize temas ederse ek olarak tıbbi yardım alın. Pilden boşalan sıvı tahrişe veya yanıklara neden olabilir.

KABLOSUZ STİK POMPA GÜVENLİK UYARILARI

- Ürünü kurarken pil takımının pil kutusundan çıkarıldığından emin olun.
- Ürünü su fıçısı kancasının üzerine daldırmayın. Elektronik bileşenlere ve/veya pil takımına su girebilir, bu da kısa devreye, yangın riskinin artmasına ve ciddi kişisel yaralanmalara neden olabilir.
- Filtrenin yerine oturduğundan ve kullanılacaksa su varil kancasının sabitlendiğinden emin olun.
- Tüm bağlantıların sızdırmaz olduğundan emin olun. Bağlantı dışında dış sızdırmazlık bandı veya uygun bir sızdırmazlık maddesi kullanın.
- Dişli bağlantıları sıkarken lütfen hasara yol açabilecek aşırı kuvvet uygulamayın.
- Ürünü korozif, aşındırıcı, patlayıcı veya tehlikeli sıvılar için kullanmayın. Su dışındaki sıvılar ürüne zarar verir, yangın tehlikesi oluşturabilir ve operatörün fiziksel olarak yaralanmasına neden olabilir.
- Ürünü içme suyuyla kullanmayın.
- Ürünü sıvı olmadan çalıştırmayın. Ürünü susuz çalıştırmayın.
- Ürünü insanlar sudayken kullanmayın.
- Ürün çalışırken hortumu çıkarmayın.
- Yağlayıcıların sızması nedeniyle sıvı kirliliği meydana gelebilir.
- Üründen boşalan su zeminin ıslanmasına ve kaymaya neden olabilir. Ürünü çalıştırdıktan sonra tahliye edilen suyu mutlaka temizleyin.
- Su ile karıştırıldığında tehlike oluşturabilecek elektriksel veya yüksek voltajlı elemanlar, aktif kimyasallar veya diğer nesnelere veya maddelere bulunan alanlara suyu boşaltmayın.
- Ürünü, üst kalıp tutma yerinden güvenli bir şekilde tutun. Fıçı kancasının kullanıldığı durumlar dışında her zaman bilek askısını takın. Ürünü kullanımdayken gözetimsiz bırakmayın. Ürünün devrilmeyeceğinden emin olun.

- Pil bölmesinin içini yağmura veya ıslak koşullara maruz bırakmayın. Ürün yalnızca pil bölmesi kapalı, kilitleli ve hasarsız olduğunda suya dayanıklıdır. Cihazı su girmesi elektrik çarpması riskini artırır.

PİL İÇİN EK GÜVENLİK UYARILARI

Kısa devreden kaynaklanacak yangın, yaralanma ve maddi hasar risklerini azaltmak için ürünü, pil paketini ya da şarj cihazını asla bir sıvıya batırmayın, ya da içine sıvı girmesine izin vermeyin. Tuzlu su, belirli kimyasallar, aşartıcı madde veya aşartıcı madde içeren ürünler gibi korozif veya iletken sıvılar kısa devreye neden olabilir.

TAŞIMA VE DEPOLAMA

- Nakletmeden ya da depolamadan önce ürünü kapatın, pil paketini çıkarın ve ürünü soğumasını bekleyin.
- Depolamadan önce mutlaka ürünü temizleyin. Ürünü tamamen uzatarak fazla suyu atın. Suyu tamamen boşaltmak için ürünü dik ve tamamen uzatılmış şekilde depolayın. Ürünü çocukların erişemeyeceği kuru ve iyi havalandırılmış bir yerde depolayın. Bahçe kimyasalları ve buz çözücü tuzlar gibi korozif maddelerden uzak tutun. Dondurucu koşullarda ürünü dışarıda bırakmayın.
- Taşınacağı zaman insanların yaralanmasını veya ürünün zarar görmesini önlemek amacıyla ürünü hareket etmemesi veya düşmemesi için sabitleyin.

LİTYUM BATARYALARIN TAŞINMASI

Bataryayı yerel ve ulusal hükümlere ve yönetmeliklere uygun şekilde taşıyın.

Bataryalar üçüncü bir şahıs tarafından taşındığında ambalaj ve etiket üzerindeki tüm özel koşullara uyun. Açıktaki konnektörleri yalıtkan, iletken olmayan başlıklar veya bant ile koruyarak hiçbir bataryanın taşıma sırasında diğer bataryalarla veya iletken malzemelerle temas etmediğinden emin olun. Çatlak veya sızdıran bataryaları taşımayın. Ek tavsiye için nakliye şirketi ile birlikte kontrol edin.

BAKIM

- Sadece orijinal üreticinin yedek parçalarını, aksesuarlarını ve ek parçalarını kullanın. Aksine davranış olası yaralanmaya yol açabilir, yetersiz performansla neden

olabilir ve garantinizin geçersiz olmasıyla sonuçlanabilir.

- Servis çalışması en yüksek düzeyde dikkat ve bilgi gerektirir ve sadece nitelikli bir servis teknisyeni tarafından yapılmalıdır. Ürünün servis işlemlerini sadece yetkili bir servis merkezinde yaptırın.
- Sadece bu kılavuzda açıklandığı şekilde ayar veya onarım yapabilirsiniz. Diğer onarımlar için yetkili servis temsilcisini arayın.
- Pompayı, hortumları, su girişini ve filtreleri düzenli aralıklarla kontrol edin. Hortumlarda, su girişinde ve filtrelerde çamur, kum veya döküntü bulunmadığından emin olun. Herhangi bir hasar olmadığından emin olun.
- Her kullanım sonrası ürünü yumuşak ve kuru bir bezle temizleyin. Ürünü kullanmadığınız zamanlarda kuru, temiz ve yağdan ve gresten arındırılmış halde tutun. Hasarlı her tür parça yetkili servis merkezi tarafından uygun şekilde onarılmalı veya değiştirilmelidir.
- Filtreyi yalnızca işlevsellikte belirgin bir düşüş olduğunda temizleyin.
- Zarar görmüş veya okunmaz durumdaki etiketleri değiştirmek için yetkili bir servis merkezine gönderin.

ÜRÜNÜNÜZÜ TANIYIN

Bkz. sayfa 103.

1. Zamanlayıcı düğmesi
2. Açma/kapama düğmesi
3. PİL kapağı
4. Mandal
5. Zamanlayıcı gösterge ışıkları
6. LED çalışma ışıkları
7. Üst kalıp tutma yeri
8. Su çıkışı
9. Bilek emniyet ipi
10. Su varil kancası
11. Oluklu tahliye hortumu
12. G3/4 Adaptörü
13. G3/4 bağlantı parçası
14. Oluklu tahliye hortumu için çıkış adaptörü
15. Yükseklik ayarlı dönme kilitleri
16. Çamur filtresi
17. Kullanım kılavuzu
18. Kirlilik filtresi
19. PİL
20. Şarj cihazı
21. Bahçe hortumu

ÜRÜN ÜZERİNDEKİ SEMBOLLER



Ürün üzerinde herhangi bir çalışma yapmaya başlamadan önce batarya takımını çıkartın.



Güvenlik ikazı
Lütfen makineyi çalıştırmadan önce talimatları dikkatlice okuyun.



Uzatma bileziklerinin kilidi açıkken pompa gövdesinin kutbunu veya altını bükmekten kaçının çünkü bu, kabloyu içeride sıkıştırabilir.



Ürün su fıçısı kancasının üzerine daldırmayın.



IPX5 PİL bölmesi hava girişi koruması



IPX8 Pompa başı hava girişi koruması



1.2m Maksimum çalışma derinliği



EurAsian Uygunluk İşareti



Avrupa Uyumluluk İşareti



Britanya Uyumluluk İşareti



Ukrayna Uyumluluk İşareti



Batarya takımını yağmura veya ıslak koşullara maruz bırakmayın.



Atık pilleri, atık elektrikli ve elektronik ekipmanı, sınıflandırılmamış belediye atığı olarak bertaraf etmeyin. Atık piller ile atık elektrikli ve elektronik ekipmanlar ayrıca toplanmalıdır. Atık pil, akü ve ışık kaynakları ekipmandan çıkarılmalıdır. Geri dönüşüm tavsiyesi ve toplama noktası bilgisi için yerel yetkililer ya da perakendeciniz ile iletişime geçin. Yerel düzenlemelere göre perakendecilerin atık piller ile atık elektrikli ve elektronik ekipmanı ücretsiz olarak geri alma yükümlülüğü olabilir. Atık bataryaların yanı sıra atık elektrikli ve elektronik ekipmanların yeniden kullanımı ve geri dönüşümüne katkınız, hammadde talebini azaltmaya yardımcı olur. Özellikle lityum içeren atık piller ile atık elektrikli ve elektronik ekipmanlar, çevreye uyumlu bir şekilde bertaraf edilmediği takdirde çevre ve insan sağlığını olumsuz yönde etkileyebilecek değerli ve geri dönüştürülebilir malzemeler içerir. Varsa, atık ekipmandaki kişisel verileri silin.

BU KILAVUZDAKİ SEMBOLLER



Ayrı satılan parçalar veya aksesuarlar

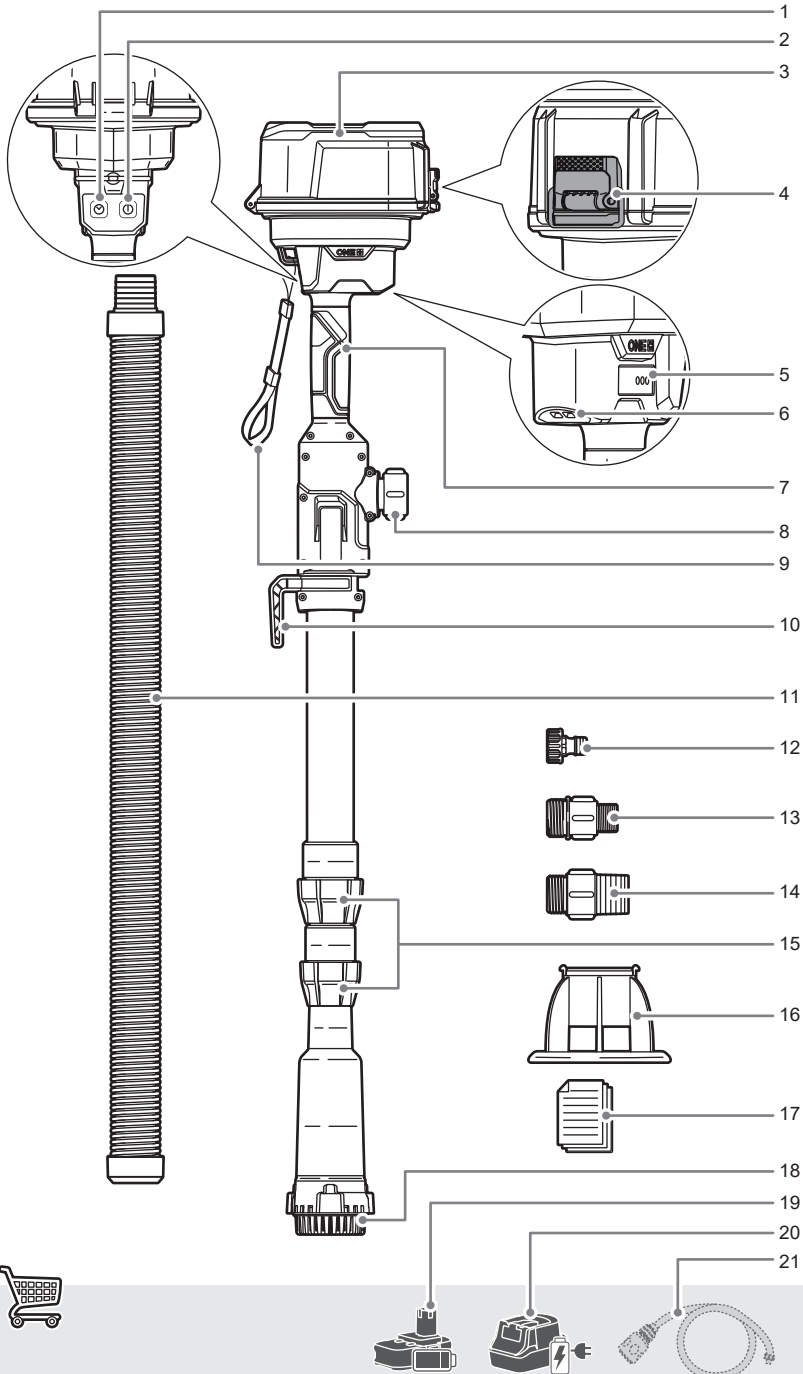


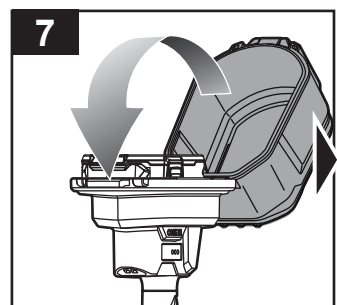
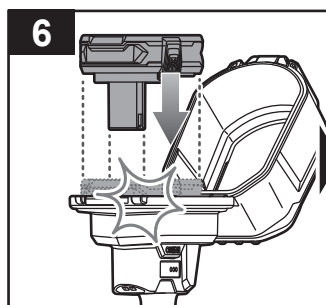
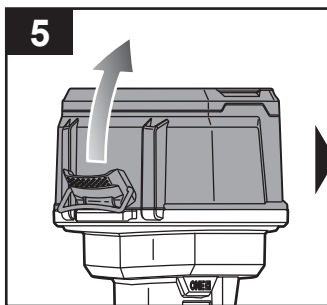
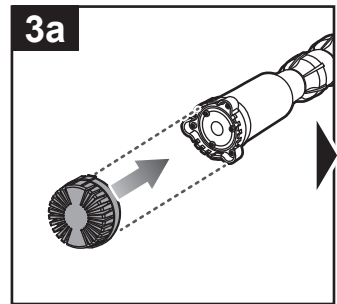
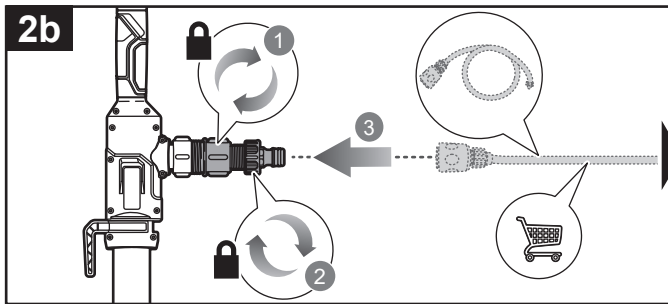
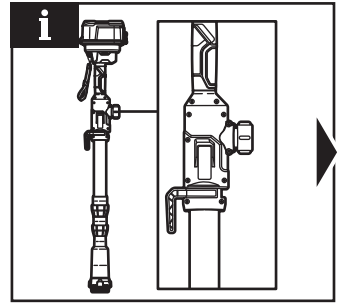
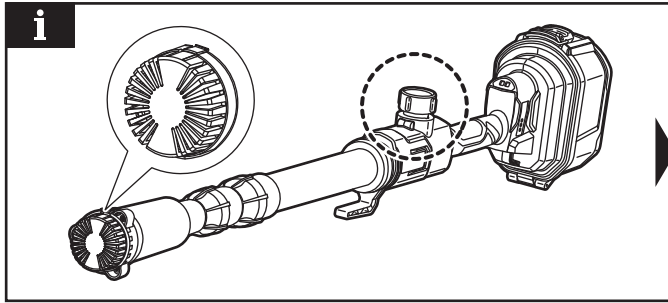
Not

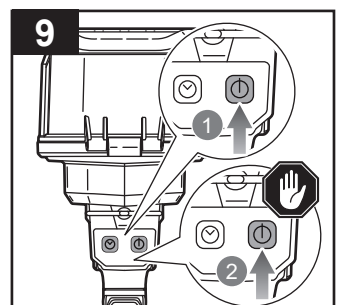
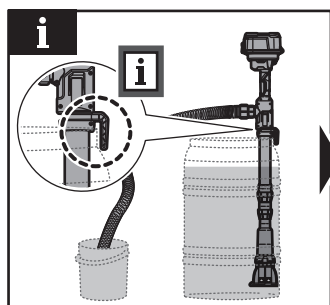
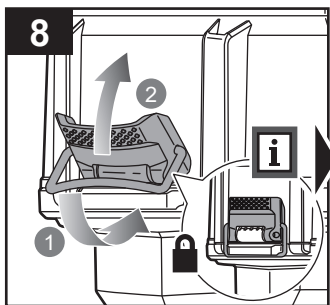
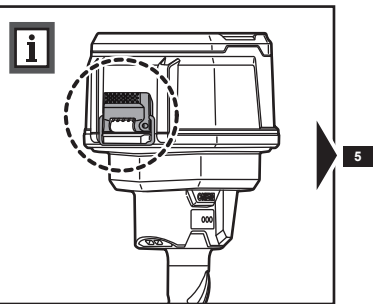
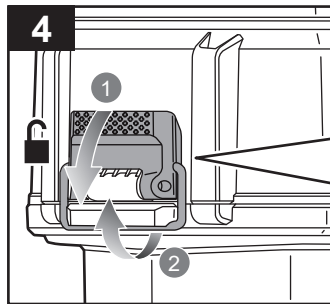
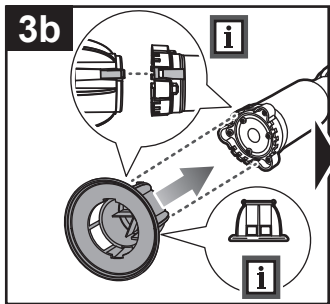
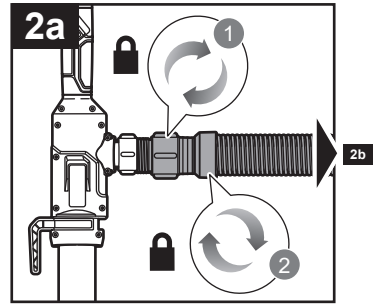
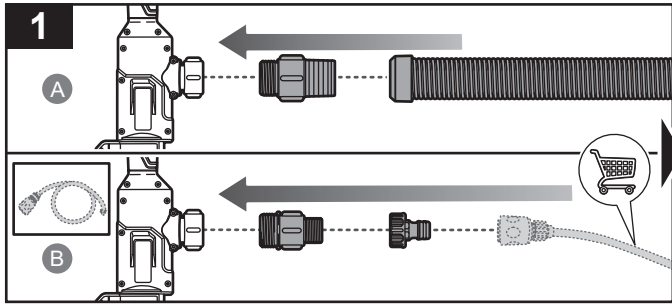


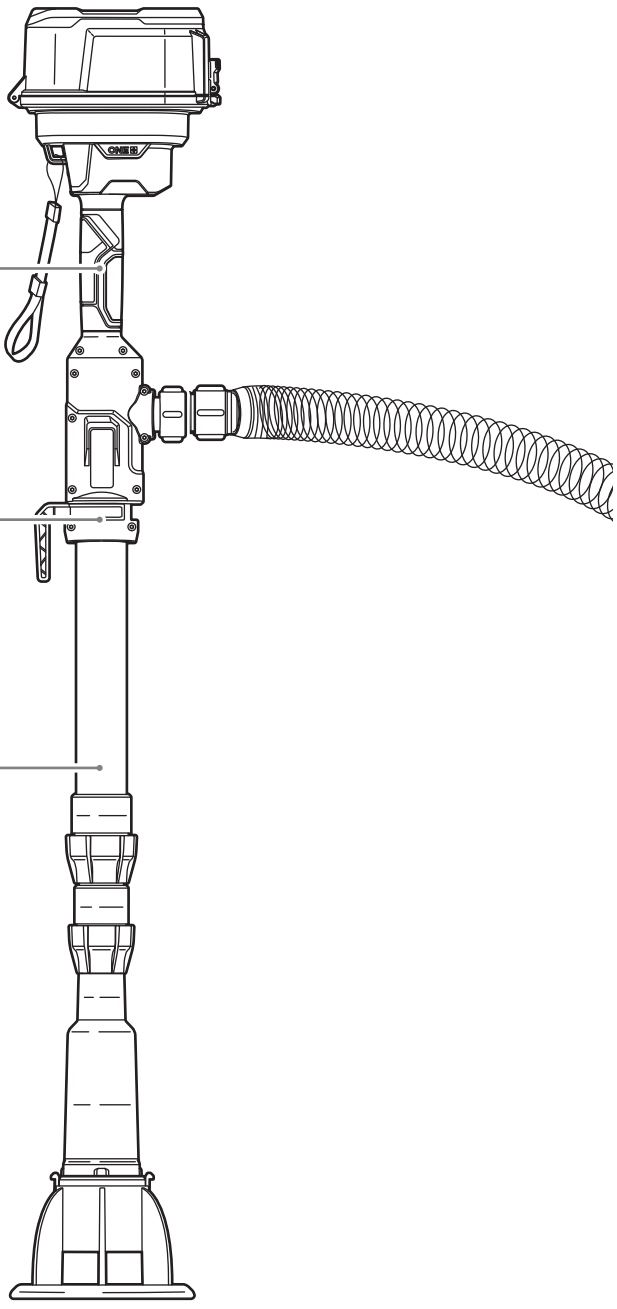
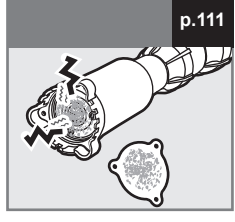
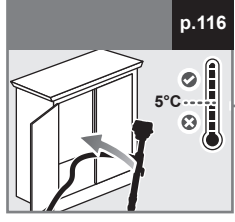
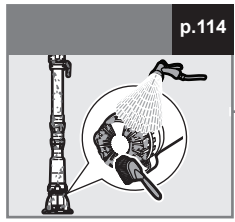
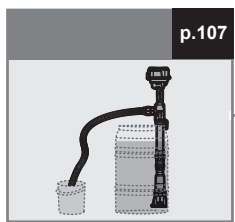
Uyarı

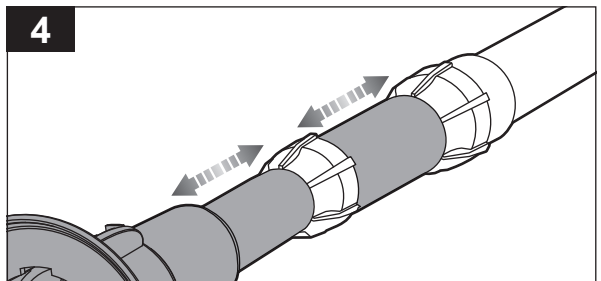
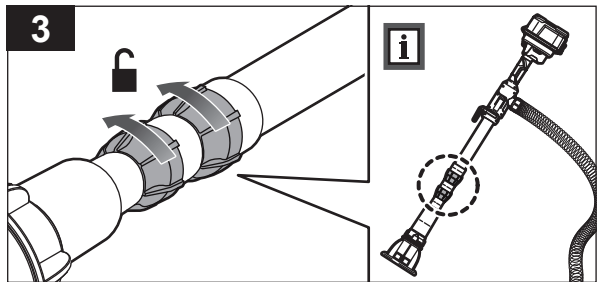
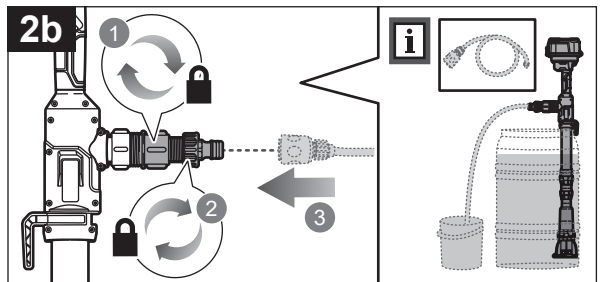
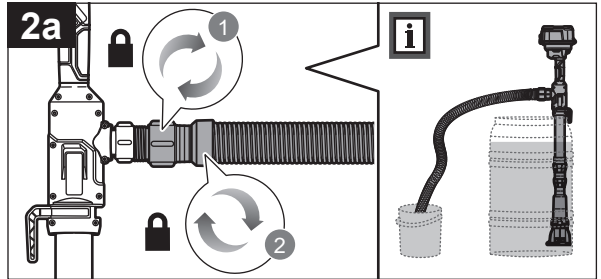
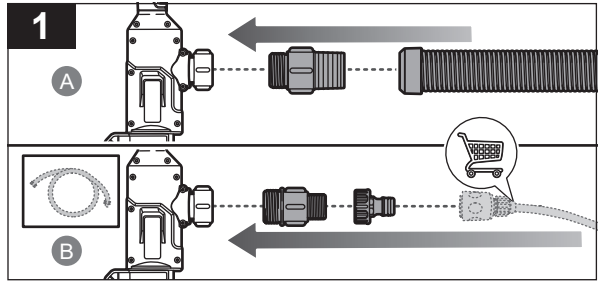
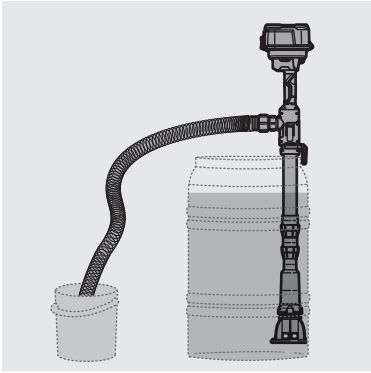
RY18STPA-0

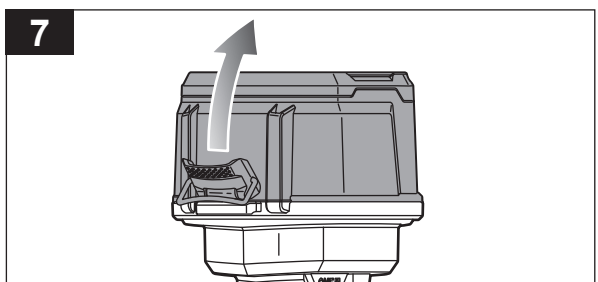
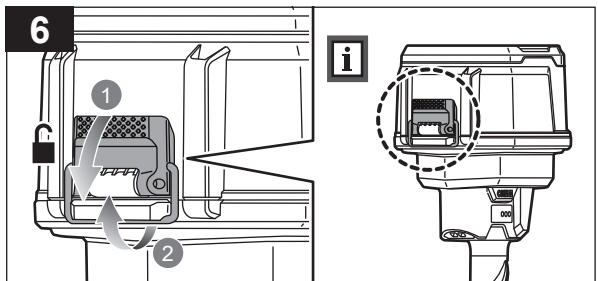
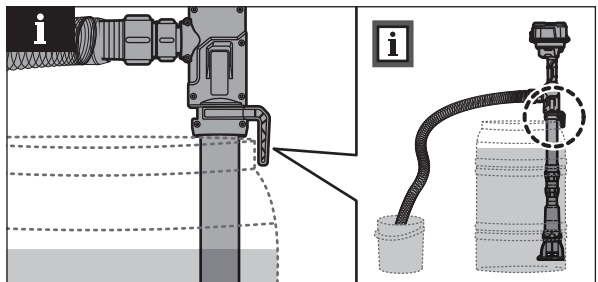
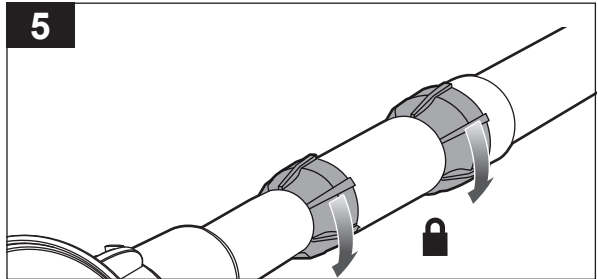
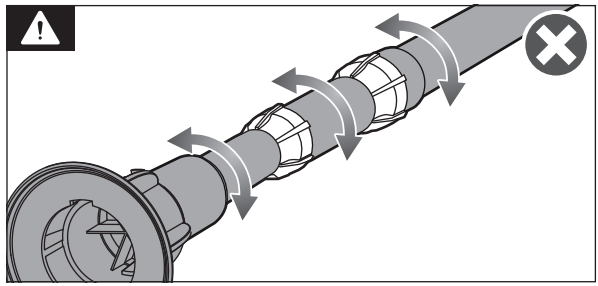


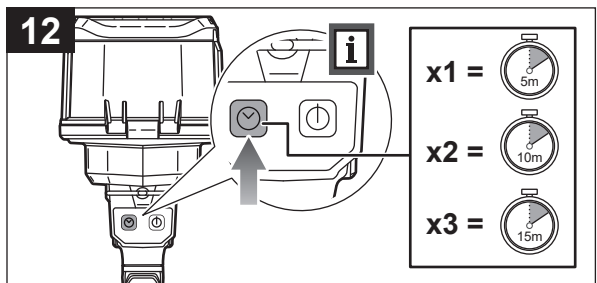
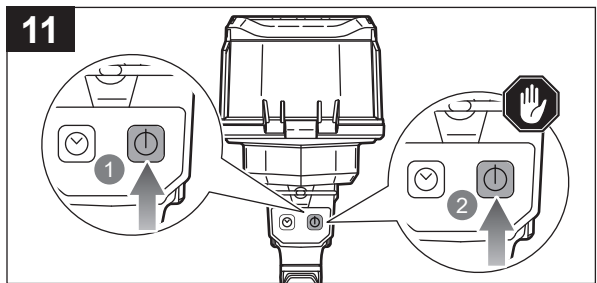
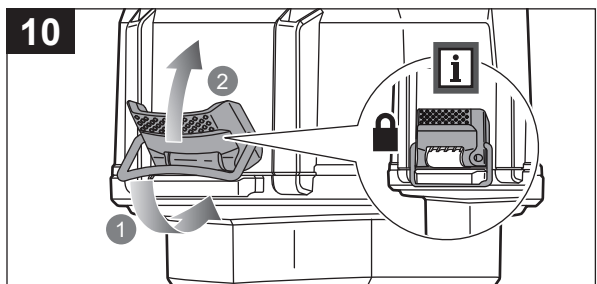
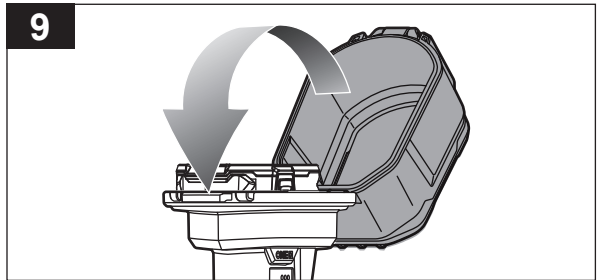
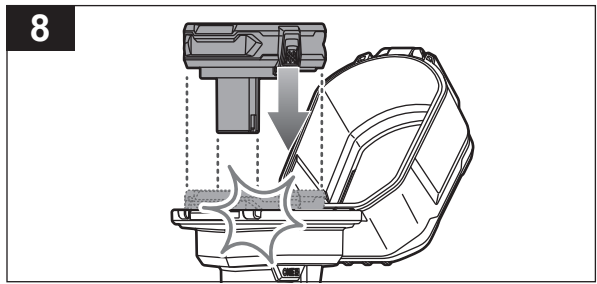


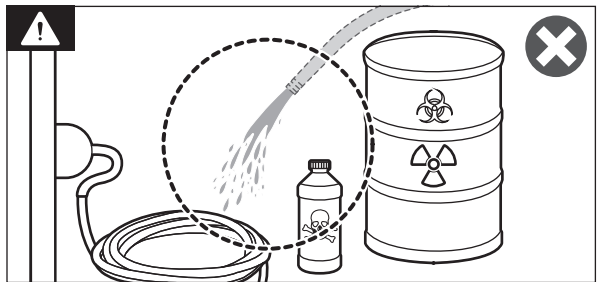
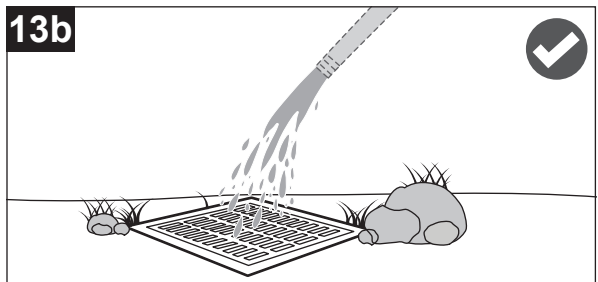
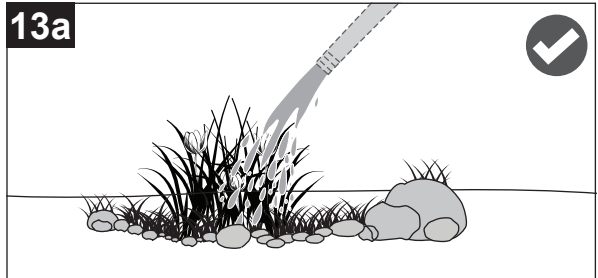
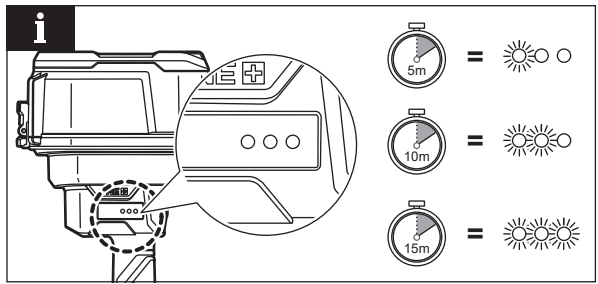


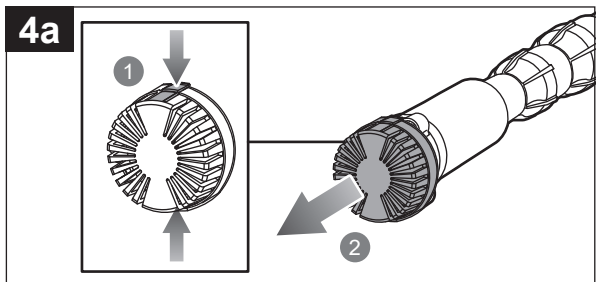
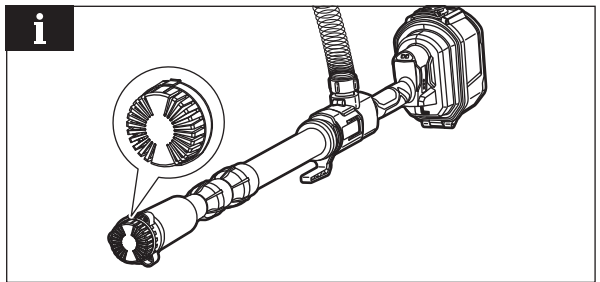
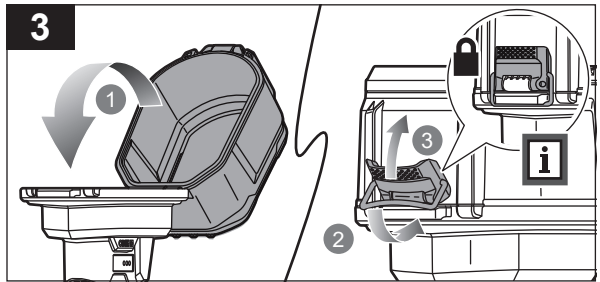
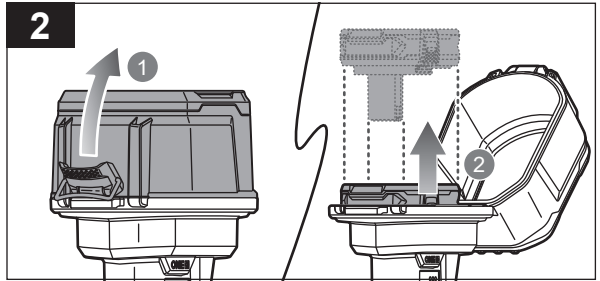
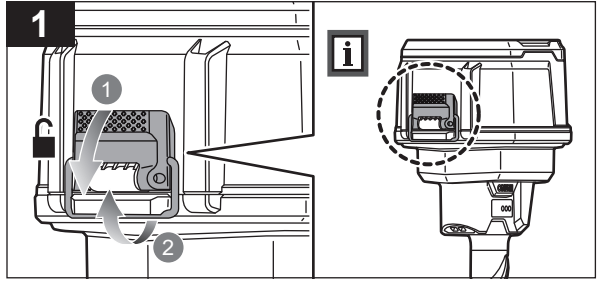
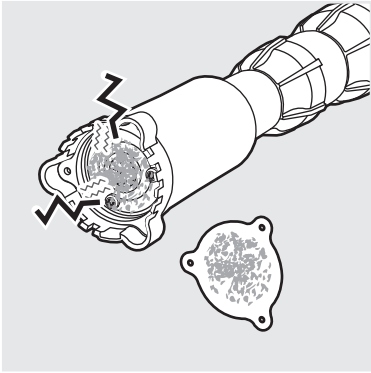


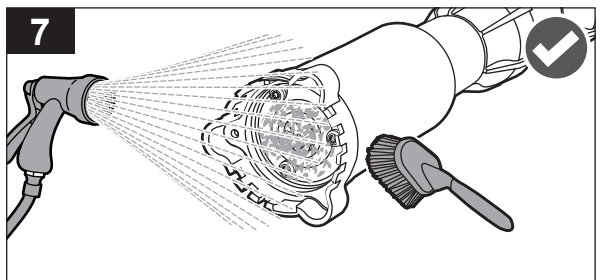
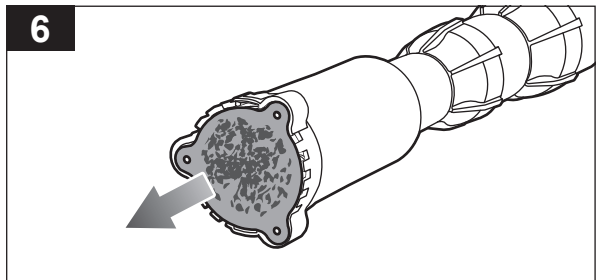
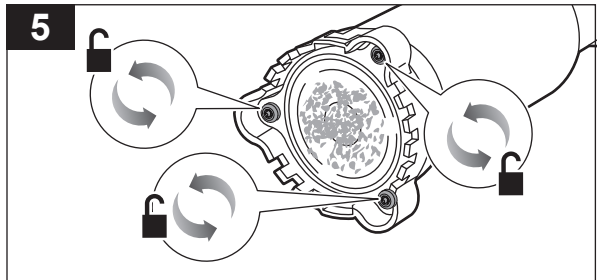
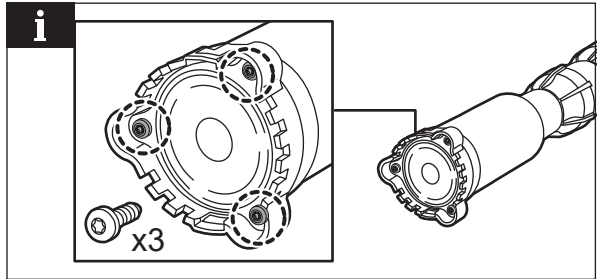
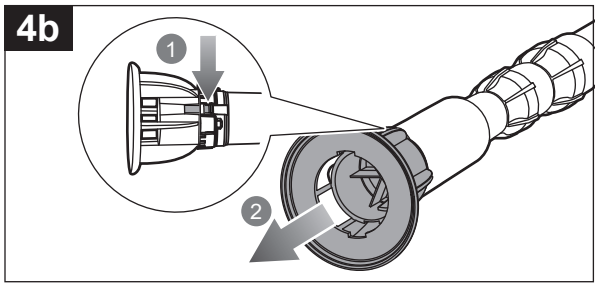


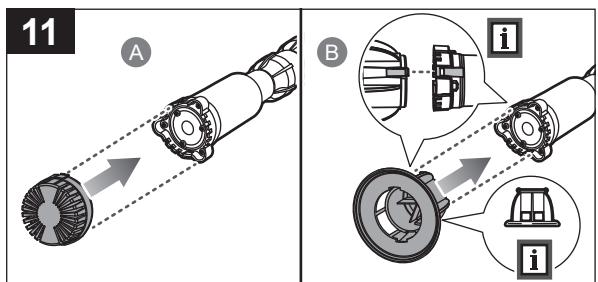
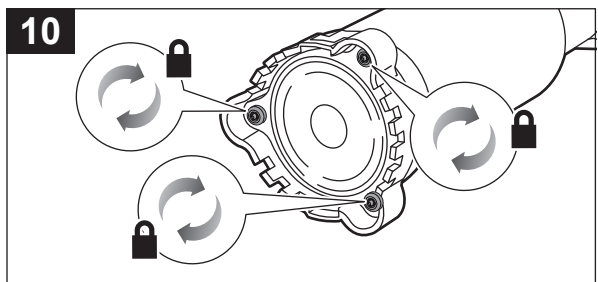
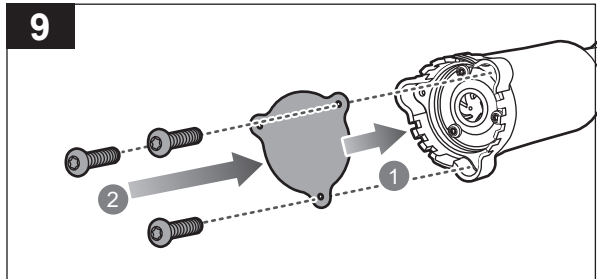
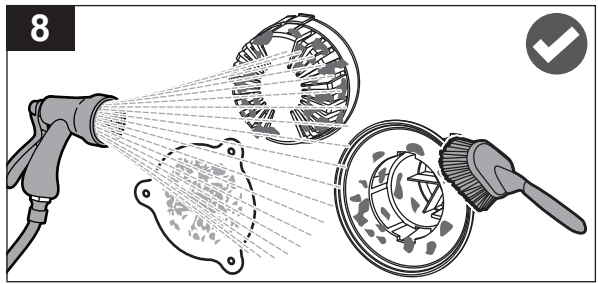


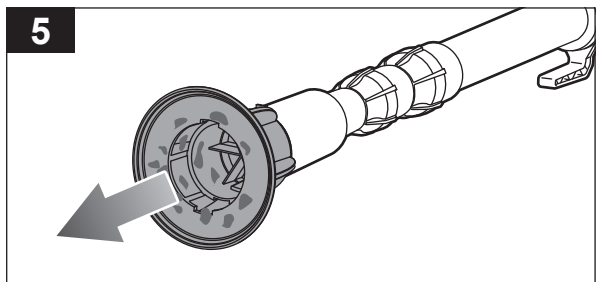
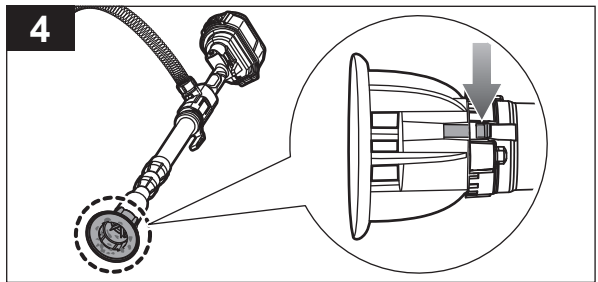
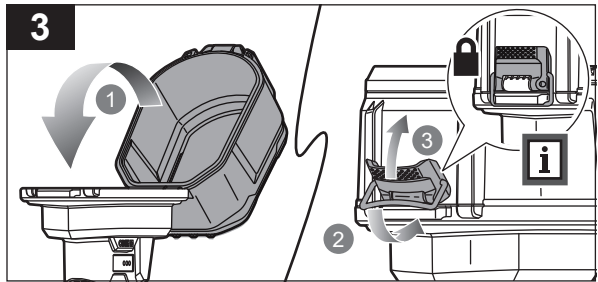
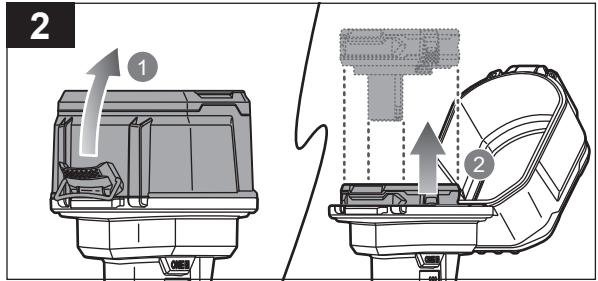
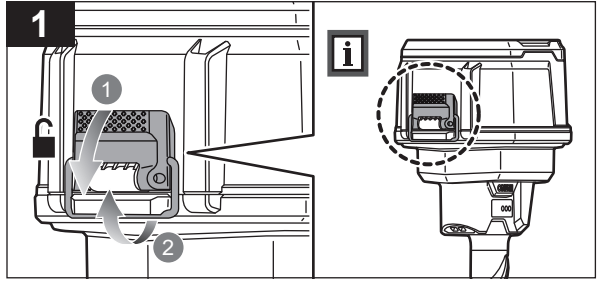
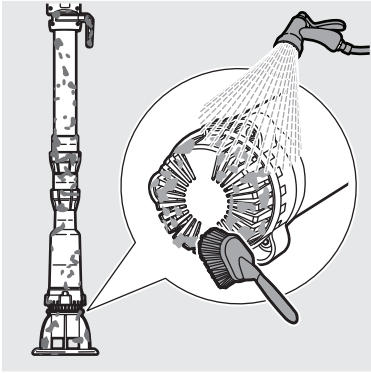


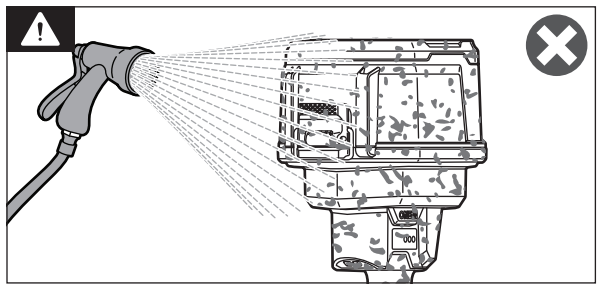
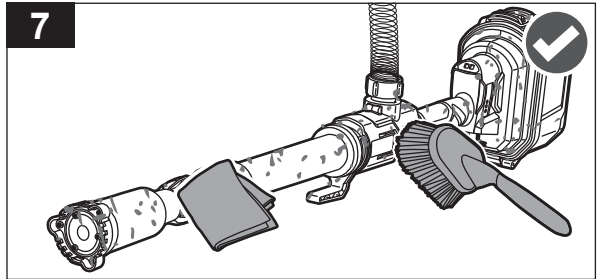
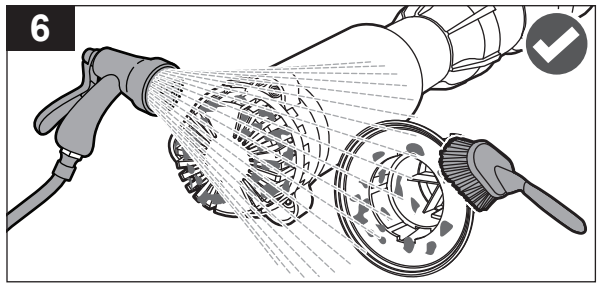


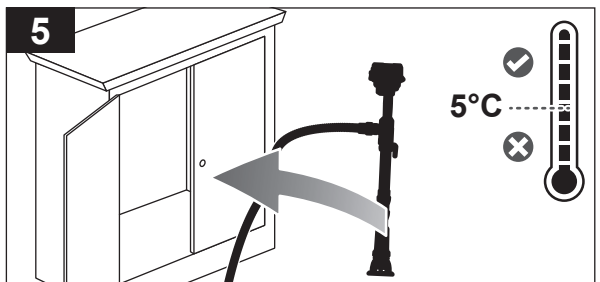
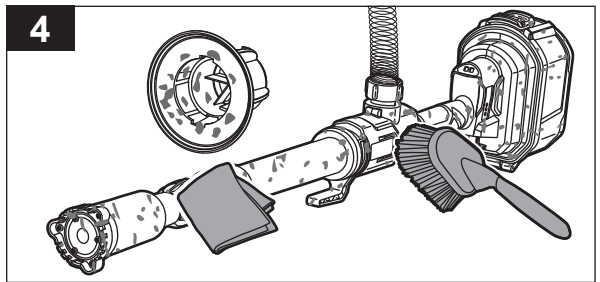
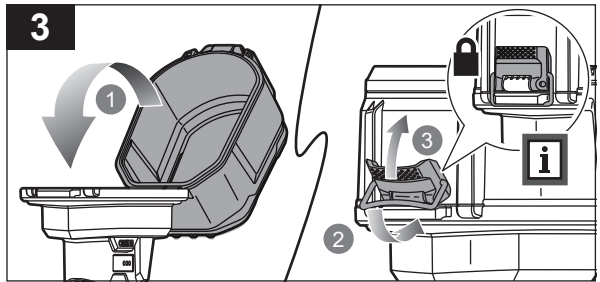
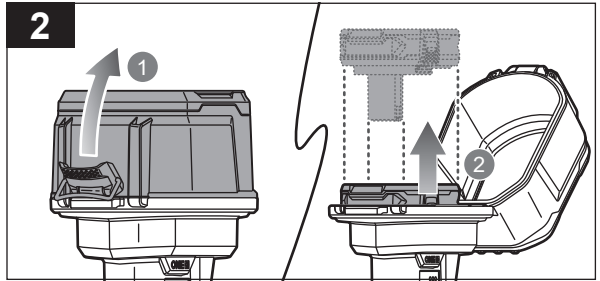
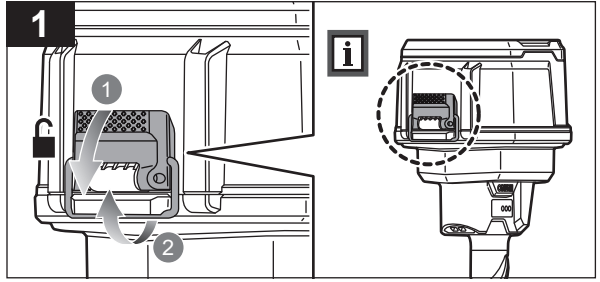
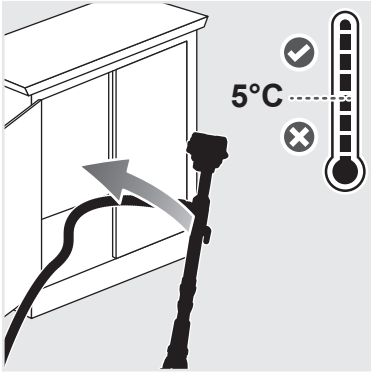












20220510v1d5



English	Français	Deutsch	Español	Italiano	Nederlands
Product specifications	Caractéristiques produit	Produkt-Spezifikationen	Características del producto	Caratteristiche del prodotto	Productgegevens
Cordless stick pump	Pompe bâton sans fil	Akku-Regenfasspumpe	Bomba con barra telescópica inalámbrica	Pompa a bastone senza fili	Snoerloze steelpomp
Model	Modèle	Modell	Modelo	Modello	Model
Rated voltage	Tension nominale	Nennspannung	Tensión nominal	Voltaggio nominale	Toegekende spanning
Maximum flow rate	Débit maximal	Maximaler Durchfluss	Caudal máximo	Portata massima	Maximale debiet
Maximum head	Tête maximale	Maximale Förderhöhe	Altura máxima	Testina massima	Maximale opvoerhoogte
Maximum immersion depth	Profondeur d'immersion maximale	Maximale Eintauchtiefe	Profundidad máxima de inmersión	Profondità massima immersione	Maximale dompeldiepte
Maximum water temperature rating	Température maximale de l'eau	Maximale Wassertemperatur	Valores nominales máximos de temperatura del agua	Potenza nominale temperatura massima acqua	Classificatie maximale watertemperatuur
Maximum particle size	Taille maximale des particules	Maximale Partikelgröße	Tamaño máximo de partículas	Dimensione massima particella	Maximale deeltjesgrootte
Water outlet size	Taille de la sortie d'eau	Größe des Wasserauslasses	Tamaño de la salida de agua	Dimensione uscita acqua	Afmetingen waterafvoer
Minimum suction level	Niveau d'aspiration minimum	Minimaler Saugpegel	Nivel mínimo de succión	Livello minimo aspirazione	Minimum aanzuigniveau
Weight	Poids	Gewicht	Peso	Peso	Gewicht
Ingress protection	Indice de protection	Schutzgrad	Protección de entrada	Protezione ingresso	IP-beschermingsgraad
Pump head	Tête de pompe	Pumpenkopf	Cabezal de la bomba	Testina pompa	Pompkop
Battery compartment	Compartiment de la batterie	Akkufach	Compartimento de la batería en uso	Vano batteria utilizzato	Compartiment gebruikte batterij

English	Français	Deutsch	Español	Italiano	Nederlands
Battery and charger	Batterie et chargeur	Akku und Ladegerät	Batería y cargador	Batteria e caricatore	Accu en oplader
Model	Modèle	Modell	Modelo	Modello	Model
Battery pack	Bloc de batterie	Akkupack	Batería	Batteria	Accu
Charger	Chargeur	Ladegerät	Cargador	Caricatore	Lader
Compatible battery packs	Blocs des batterie compatibles	Kompatible Akkupacks	Paquetes de batería compatibles	Gruppo batterie compatibili	Compatibele accupacks
Compatible chargers	Chargeurs compatibles	Kompatible Ladegeräte	Cargador compatible	Caricatore compatibile	Compatibele oplader
NOTE: Visit your local special orders desk or contact RYOBI customer service for replacement parts.	REMARQUE: Pour obtenir des pièces de rechange, consultez le bureau local chargé des commandes spéciale ou le service client RYOBI.	HINWEIS: Wenden Sie sich an Ihren örtlichen Kundendienst oder kontaktieren Sie den RYOBI-Kundendienst, um Ersatzteile zu erhalten.	NOTA: Visite su servicio local de pedidos especiales o póngase en contacto con el Servicio de atención al cliente de RYOBI para obtener piezas de recambio.	NOTA: Recarsi presso il banco ordini speciali di zona oppure contattare l'assistenza clienti RYOBI per i pezzi di ricambio.	OPMERKING: Bezoek de lokale verkoopspecialisten of neem contact op met de klantenservice van RYOBI voor vervangende onderdelen.



Português	Dansk	Svenska	Suomi	Norsk	Русский	
Características do aparelho	Produktspecifikationer	Produktspecifikationer	Tuotteen tekniset tiedot	Produktspecificasjoner	Характеристики изделия	
Bomba telescópica sem fios	Trådløs stavpumpe	Sladdlös skaftpump	Akkukäyttöinen sauvapumppu	Kabelfri stikkpumpe	Беспроводной штанговый насос	
Modelo	Model	Modell	Malli	Modell	Модель	RY18STPA
Tensão nominal	Mærkespænding	Spänning	Nimellisjännite	Nominell spenning	Номинальное напряжение	18 V d.c.
Caudal máximo	Største flowhastighed	Maximal flödes hastighet	Suurin virtausmäärä	Maksimal strømningshastighet	Максимальный объем подачи	56 L/min
Cabeça máxima	Maksimal højde på vandstigningen	Max huvud	Suurin pää	Maksimalt hode	Максимальный напор	7 m
Profundidade máxima de imersão	Maksimal nedsænkingsdybde	Max nedsænkingsdjup	Suurin upotussyvyys	Maksimal nedsenkingsdybde	Максимальная глубина погружения	1,2 m
Classificação máxima da temperatura da água	Klassificering af maks. vandtemperatur	Max vattentemperatur	Veden suurin sallittu lämpötila	Maksimal vanntemperaturvurdering	Максимально допустимая температура воды	35°C
Tamanho máximo das partículas	Maks. partikelstørrelse	Max partikelstørlek	Suurin hiukkaskoko	Maksimal partikkelstørrelse	Максимальный размер частиц	1 mm
Tamanho da saída de água	Vandudløbs størrelse	Vattenutløp, størlek	Veden poistoaukon koko	Størrelse vannutløp	Размер водовыпускного отверстия	25 mm
Nível mínimo de sucção	Mindste sugeniveau	Minsta sugnivå	Vähimmäisimutaso	Minimum sugenivå	Максимальная мощность всасывания	50 mm
Peso	Vægt	Vikt	Paino	Vekt	Вес	2,5 kg
Proteção contra entrada	Indrægningsbeskyttelse	Inträgningskydd	Aukon suoja	Internasjonal beskyttelsesrangering	Пылевлагозащита	
Cabeça da bomba	Pumpehoved	Pumphuvud	Pumpun pää	Pumpehode	Головка насоса	IPX8
Compartimento da bateria em uso	Rum til batteri i brug	Fack för batteri som används	Käyttöakkutila	Batteriom i bruk	Отсек для используемой батареи	IPX5



Português	Dansk	Svenska	Suomi	Norsk	Русский	
Bateria e carregador	Batteri og oplader	Batteri och batteriladdare	Akku ja laturi	Batteri og lader	Аккумуляторная батарея и зарядное устройство	
Modelo	Model	Modell	Malli	Modell	Модель	RY18STPA-0
Bateria	Batteri	Batteri	Akku	Batteri	Аккумулятор	-
Carregador	Oplader	Batteriladdare	Laturi	Lader	Зарядное устройство	-
Baterias compatíveis	Kompatible batterier	Kompatibla batteripaket	Yhteensopivat akut	Kompatible batteripakker	Совместимая аккумуляторная батарея	RB18..
Carregador compatível	Kompatibel oplader	Kompatibel laddare	Yhteensopiva laturi	Kompatibel lader	Совместимое зарядное устройство	BCL1418.., BCS618, RC18..
NOTA: Visite o seu ponto de encomendas especiais local ou contacte o Apoio ao cliente da RYOBI para obter peças de substituição.	BEMÆRK: Besøg din lokale specialbutik eller kontakt RYOBI kundeservice for reservedele.	OBS: Besök ditt lokala kontor för specialbeställningar eller kontakta RYOBI-kundserservice för reservdelar.	HUOMAUTUS: Kun tarvitset varaosia, käy paikallisissa toimipisteissä tai ota yhteyttä RYOBI-asiakaspalveluun.	MERK: Besøk den lokale spesialbestillingskranken eller ta kontakt med RYOBI kundeservice for reservedeler.	ПРИМЕЧАНИЕ: Для приобретения запасных деталей обращайтесь в региональную службу специальных заказов или в клиентскую службу RYOBI.	





Polski	Čeština	Magyar	Română	Latviski	Lietuviškai	Eesti
Parametry techniczne	Technické údaje produktu	Termék műszaki adatai	Specificațiile produsului	Produkta specifikācijas	Gaminio techninės savybės	Toote tehnilised andmed
Bezprzewodowa pompa transferowa	Akumulatorové tyčové čerpadlo	Vezeték nélküli szivattyúzós rúd	Pompă tubulară fără fir	Akumulatoru kāta sūkņis	Akumulatorinis vamzdinis siurblys	Juhtmeta varspump
Model	Model	Típus	Model	Modelis	Modelis	Mudel
Napięcie znamionowe	Jmenovité napětí	Névleges feszültség	Tensiunea nominală	Nominālais spriegums	Nominali įtampa	Nimipinge
Maksymalne napięcie przepręty	Maximální průtok	Legnagyobb áramlási sebesség	Debit maxim	Maksimālā caurplūde	Maksimalus srautas	Maksimaalne voolavus
Maksymalna wysokość podnoszenia	Maximální hlava	Maximális fejméret	Înălțime maximă de pompare	Maksimālā galva	Maksimali galvutė	Maksimaalne peaos
Maksymalne zanurzenie	Maximální hloubka ponoru	Maximális merülési sebesség	Adâncime de imersiune maximă	Maksimālais iegremdēšanas dziļums	Maksimalus panardinimo gyilis	Maksimaalne sukeldumissügavus
Maksymalna znamionowa temperatura wody	Maximální jmenovitá teplota vody	Maximális vízhőmérséklet szerinti besorolás	Temperatura maximă a apei	Maksimālā nominālā ūdens temperatūra	Maksimalios vandens temperatūros ribos	Maksimaalne veetemperatuuri hinnang
Maksymalna wielkość cząstek	Maximální velikost částic	Maximális részecskeméret	Dimensiune maximă a particulelor	Maksimālais daļiņu izmērs	Maksimalus dalelių dydis	Maksimaalne osakeste suurus
Rozmiar wylotu wody	Velikost výpusti vody	Vizkimenet mérete	Dimensiune racord de ieșire apă	Ūdens izplūdes izmērs	Vandens išleidimo angos dydis	Vee väljalaskeava suurus
Minimalny poziom ssania	Minimální úroveň sání	Minimális szívási szint	Nivel minim de sucțiune	Minimālais iesūkšanas līmenis	Minimalus siurbimo lygis	Minimaalne imemistase
Masa	Hmotnost	Súly	Greutate	Svars	Svoris	Kaal
Ochrona przez wnikianiem	Stupeń krycia	Külső behatásokkal szembeni védelem	Nivel protecție IP	Šķidrums iekļūšanas aizsardzība	Įleidimo angos apsauga	Kaitseaste
Głowica pompy	Hlava čerpadla	Szivattyúfej	Cap pompă	Sūkņa galva	Siurblio galvutė	Pumba peaos
Komora robocza akumulatora	Prostor pro používanou baterii	Használat közbeni akkumulátortartó	Compartment acumulator în uz	Izmantojamās baterijas nodalījums	Naudojamų baterijos skyrius	Aku tööpesa

Polski	Čeština	Magyar	Română	Latviski	Lietuviškai	Eesti
Akumulator i ładowarka	Nabíječka a baterie	Akkumulátor és töltő	Bateria și încărcătorul	Akumulators un lādētājs	Akumulatorius ir įkroviklis	Aku ja laadija
Model	Model	Típus	Model	Modelis	Modelis	Mudel
Akumulator	Baterie	Akkumulátor	Acumulator	Akumulators	Baterija	Aku paketiņa
Ładowarka	Nabíječka	Töltő	Încărcător	Lādētājs	Įkroviklis	Laadija
Pasujące akumulatory	Kompatibilni akumulatory	Kompatibilis akkumulátorok	Acumulatori compatibili	Savietojami akumulatoru komplekti	Suderinami baterijos paketai	Ūhiduvad akupaketid
Zgodna ładowarka	Kompatibilni nabíječka	Kompatibilis töltő	Încărcător compatibil	Saderīgs lādētājs	Suderinamas įkroviklis	Ūhiduv laadija
UWAGA: W celu uzyskania części zamiennych należy odwiedzić lokalny dział zamówień specjalnych lub skontaktować się z Działem Obsługi Klienta firmy RYOBI.	POZNÁMKA: Náhradní díly objednávejte přes místního dodavatele nebo se obraťte na oddělení zákaznických služeb RYOBI.	MEGJEGYZÉS: Cserealkatrészekért látogassa meg a helyi különleges rendelések pultot vagy lépjen kapcsolatba a RYOBI ügyfélszolgálatával.	NOTĂ: Vizitați reprezentanța dvs. locală de vânzări sau contactați Serviciul Asistență Clienti RYOBI pentru piese de schimb.	PIEZĪME: Rezerves daļas meklējiet jūsu vietējā īpašo pasūtījumu centrā vai sazinieties ar RYOBI Klientu apkalpošanas dienestu.	PASTABA: Jei prireiktų keičiamųjų dalių, nuvykite į vietos specializuotą užsakymų biurą arba kreipkitės į RYOBI klientų aptarnavimo tarnybą.	MÄRKUS: Varuosade tellimiseks pöörduge kohaliku tellimispunkti poole või võtke ühendust RYOBI klienditeenindusega.





Hrvatski	Slovenščina	Slovenčina	България	українська	Türkçe	
Specifikacije proizvoda	Specifikacije izdelka	Špecifikácie produktu	Технически характеристики	Технічні характеристики пристрою	Ürün teknik özellikleri	
Akumulatorska štapna pumpa	Brezlična palična črpalka	Akumulátorové sudové čerpadlo	Безична вертикална помпа	Бездротовий боковий насос	Kablosuz stik pompa	
Model	Model	Modelis	Модел	Модель	Model	RY18STPA
Nazivni napon	Nazivna napetost	Menovité napätie	Номинален волтаж	Номинална напруга	Nominal voltaj	18 V d.c.
Maksimalni protok	Največja stopnja pretoka	Maximálna prietoková rýchlosť	Максимален дебит	Максимална швидкість потоку	Maksimum akış hızı	56 L/min
Maksimalna visina dobave	Najvišji navpični potisk	Maximálna dopravná výška	Максимална глава	Максималний напір	Maksimum basma yüksekliği	7 m
Maksimalna dubina uranjanja	Največja potopna globina	Maximálna ponorná hĺbka	Максимална дълбочина на потапяне	Максимална глибина занурення	Maksimum daldirma derinliği	1,2 m
Maksimalna nazivna vrijednost temperature vode	Najvišja nazivna temperatura vode	Maximálna menovitá teplota vody	Максимална номинална температура на водата	Максимална температура води	Maksimum su sıcaklığı sınıflandırması	35°C
Maksimalna veličina čestice	Največja velikost delcev	Maximálna veľkosť častic	Максимален размер на частиците	Максималний розмір часток	Maksimum parçacık boyutu	1 mm
Veličina izlaza vode	Velikost odvodne odprtine za vodu	Veľkosť odtoku vody	Размер на изходящия отвор за вода	Розмір вихідного отвору	Su çıkışı boyutu	25 mm
Maksimalna razina usisa	Najnižja stopnja sesanja	Minimálna hladina sania	Максимално ниво на всмукване	Мінімальний рівень всмоктування	Minimum emiş seviyesi	50 mm
Težina	Teža	Hmotnosť	Тегло	Вага	Ağırlık	2,5 kg
Zaštita pristupa	Zaštita pred vdorom tekočine	Ochrana pred vniknutim	Защита срещу проникване	Ступінь захисту	Hava girişi koruma	
Glava pumpe	Glava črpalke	Hlava čerpadla	Глава на помпата	Головка насосу	Pompa başlığı	IPX8
Ođjeljak baterije koja se koristi	Predal za baterijo v uporabi	Priečnik na používaný akumulátor	Отделение за батерията в работен режим	Акумуляторне відділення у використанні	Kullanılan akü kompartmanı	IPX5

Hrvatski	Slovenščina	Slovenčina	България	українська	Türkçe	
Baterija i punjač	Baterija in polnilnik	Akumulátor a nabijačka	Батерия и зарядно устройство	Акумулятор і зарядний пристрій	Pil ve şarj cihazı	
Model	Model	Modelis	Модел	Модель	Model	RY18STPA-0
Baterija	Akumulator	Batéria	Батерия	Акумуляторна батерия	Pil	-
Punjač	Polnillec	Nabijačka	Зарядно устройство	Зарядний пристрій	Şarj cihazı	-
Kompatibilna pakiranja baterija	Združljive baterije	Kompatibilné jednotky akumulátorov	Съвместими батерии	Сумісні акумуляторні блоки	Uyumlu pil takımları	RB18..
Kompatibilni punjači	Združljiv polnillec	Kompatibilná nabijačka	Съвместимо зарядно устройство	Сумісний зарядний пристрій	Uyumlu şarj cihazı	BCL1418.., BCS618, RC18..
NAPOМЕНА: Posjetite vaš lokalni ured za posebne narudžbe ili kontaktirajte RYOBI korisničku službu za zamjenske dijelove.	OPOMBA: Za nadomestne dele se obrnite na lokalno poslovalnico za posebna naročila ali službo za storitve za stranke RYOBI.	POZNÁMKA: Ak potrebujete náhradné diely, navštívte miestne oddelenie pre špeciálne objednávky alebo sa obráťte na zákaznicky servis RYOBI.	ЗАБЕЛЕЖКА: За поръчка на резервни части посетете местното бюро за специални поръчки или се свържете с центъра за обслужване на клиенти на RYOBI.	ПРИМІТКА: Завітайте до місцевої служби замовлень або зверніться до служби підтримки клієнтів RYOBI, щодо отримання запасних частин.	NOT: Yedek parçalar için özel sipariş masanızı ziyaret edin veya RYOBI Müşteri Hizmetleri ile iletişime geçin.	



EN RYOBI WARRANTY APPLICATION CONDITIONS

In addition to any statutory rights resulting from the purchase, this product is covered by a warranty as stated below.

1. The warranty period is 24 months for consumers and commences on the date when the product was purchased. This date has to be documented by an invoice or other proof of purchase. The product is designed and dedicated to consumer and private use only. So there is no warranty provided in case of professional or commercial use. This warranty applies only on new products.
2. There is a possibility to extend for a part of the range of power tools (AC/DC) the warranty period over the period described above using the registration on the www.ryobitools.eu website. The eligibility of products for extended warranty is clearly displayed in stores and / or on packaging and is contained within the product documentation. The end user is required to register his/her newly-acquired products online within 30 days from the date of purchase. The end user may register for the extended warranty in his/her country of residence if listed on the online registration form where this option is valid. Furthermore, end users must give their consent to the storage of their personal data that is required to be entered online. They must also accept the terms and conditions. The registration confirmation receipt, which is sent out by e-mail, and the original invoice showing the date of purchase will serve as proof of the extended warranty.
3. The warranty covers all defects of the product during the warranty period due to faults in workmanship or material at the purchase date. The warranty is limited to repair and/or replacement and does not include any other obligations including but not limited to incidental or consequential damages. The warranty is not valid if the product has been misused, used contrary to the instruction manual, or has been incorrectly connected to a power supply. This warranty does not apply to:
 - any damage to the product that is the result of improper or lack of maintenance
 - any product that has been altered or modified
 - any product where original identification (trade mark, serial number) markings have been defaced, altered or removed
 - any damage caused by non-observance of the instruction manual
 - any product not displaying the CE approval mark on the rating plate
 - any product that has been attempted to be repaired by a non-authorized warranty service centre or without prior authorisation by Techtronic Industries
 - any product connected to improper power supply (amps, voltage, frequency)
 - any product used with inappropriate fuel mixture (fuel, oil, ratio of oil/ fuel mixture)
 - any damage caused by external influences (water, chemical, physical, shocks) or foreign substances
 - normal wear and tear spare parts
 - inappropriate use, overloading of the tool
 - use of non-approved accessories or parts
 - Accessories provided with the tool or purchased separately including but not limited to blades, saw chains, cutting lines, etc.
 - Any periodic adjustments to or maintenance cleaning of carburetors
 - Components (parts and accessories) subject to natural wear and tear, including but not limited to bump knobs, drive belts, clutch, blades of hedge trimmers or lawn mowers, harness, cable throttle, carbon brushes, power cord, tines, felt washers, hitch pins, blower fans, blower and vacuum tubes, vacuum bag and straps, guide bars, saw chains, hoses, connector fittings, spray nozzles, wheels, spray wands, inner reels, outer spools, cutting lines, spark plugs, air filters, gas filters, mulching blades, etc.
4. For servicing, the product must be sent or presented to a RYOBI authorised service station listed for each country in the following list of service station addresses. In some countries your local RYOBI dealer undertakes to send the product to the RYOBI service organisation. When sending a product to a RYOBI service station, the product should be safely packed without any dangerous contents such as petrol, marked with sender's address and accompanied by a short description of the fault.
5. A repair / replacement under this warranty is free of charge. It does not constitute an extension or a new start of the warranty period. Exchanged parts or products become our property. In some countries delivery charges or postage will have to be paid by the sender. Your statutory rights arising from the purchase of the product remain unaffected.
6. This warranty is valid in the European Community, Switzerland, Iceland, Norway, Liechtenstein, Turkey, Russia, and the United Kingdom. Outside these areas, please contact your authorised RYOBI dealer to determine if another warranty applies.

AUTHORISED SERVICE CENTRE

Any request or issue with the product can be addressed to your local authorised service centres (visit www.ryobitools.eu) or directly to: Techtronic Industries GmbH, Max Eyth Straße 10, 71364 Winnenden, Germany. Please state the serial number and product type printed on the label.

FR RYOBI CONDITIONS D'APPLICATION DE LA GARANTIE

En plus des droits statutaires liés à l'achat, ce produit est couvert par une garantie telle que décrite ci-dessous.

1. La durée de la garantie accordée au consommateur est de 24 mois à partir de la date d'achat. Cette date doit être authentifiée par une facture ou tout autre preuve d'achat. Le produit a été conçu en vue d'une utilisation strictement privée. Aucune garantie ne s'applique donc en cas d'utilisation professionnelle ou commerciale.
2. Il existe pour une partie de la gamme « jardin » (AC/DC), une possibilité d'étendre la période de garantie au-delà de la période précédemment décrite en utilisant le formulaire d'enregistrement présent sur le site internet www.ryobitools.eu. L'éligibilité d'un outil est clairement affichée dans les points de vente et/ou sur l'emballage et la documentation. L'utilisateur final doit enregistrer son/ses outil(s) nouvellement acheté(s) en ligne dans les 30 jours qui suivent la date d'achat. L'utilisateur a la possibilité de s'enregistrer pour l'extension de garantie dans son pays de résidence si celui-ci est listé dans le formulaire d'enregistrement en ligne où cette option est valide. L'utilisateur final doit donner son consentement pour l'enregistrement des données requises pour accéder au site et doit accepter les termes et conditions. La confirmation d'enregistrement, envoyée par courrier électronique, ainsi que la facture originale mentionnant la date d'achat serviront de preuve de l'extension de garantie.
3. La garantie couvre pendant la période de garantie les défauts des produits liés à la fabrication et aux matériaux à la date d'achat. La garantie est limitée à la réparation et/ou au remplacement et n'inclut aucune autre obligation, tel que, mais sans s'y limiter, les dommages accessoires ou indirects. La garantie est non valable en cas de mauvaise utilisation du produit, d'utilisation contraire aux instructions du mode d'emploi, ou en cas de branchement incorrect. Cette garantie ne s'applique pas pour :
 - tout dommage au produit résultant d'un mauvais entretien
 - tout produit ayant été altéré ou modifié
 - tout produit dont les marquages originaux d'identification (marque, numéro de série) ont été dégradés, altérés ou retirés
 - tout dommage causé par le non-respect des instructions du mode d'emploi
 - tout produit non CE
 - tout produit ayant subi une tentative de réparation par du personnel non qualifié ou sans autorisation préalable de Techtronic Industries
 - tout produit raccorder à une alimentation secteur non conforme (ampérage, voltage, fréquence)
 - tout produit utilisé avec un mélange inapproprié (essence, huile, pourcentage d'huile)
 - tout dommage causé par des influences extérieures (chimiques, physiques, chocs) ou par des substances étrangères
 - l'usure normale des pièces consommables
 - une utilisation inappropriée, une surcharge de l'outil
 - l'utilisation de pièces ou accessoires non agréés
 - Tout réglage périodique ou tout nettoyage de maintenance des carburateurs
 - les composants (pièces et accessoires) sujets à une usure naturelle, incluant de façon non exhaustive les têtes de fil à frapper, les courroies de transmission, les embrayages, les lames des taille-haies ou des tondeuses à gazon, les harnais, les câbles d'accélérateur, les charbons, les cordons d'alimentation, les fraises de cultivateurs, les rondelles feutre, les gouilles de fraise, les turbines et lame de broyage des souffleurs, les tubes de soufflage et d'aspiration des souffleurs, les sacs de souffleurs et leurs lanières, les guides-chaîne, les chaînes de tronçonneuses, les tuyaux et raccords, les buses et lances de nettoyeurs haute pression, les roues, les recharges de fil des têtes de coupe, les têtes de coupe, le fil de coupe, les bougies d'allumage, les filtres à air, les filtres à essence, etc.
4. Si le produit doit être réparé, envoyez-le à un service après-vente agréé RYOBI dont vous trouverez ci-dessous la liste pour chaque pays. Dans certains pays, votre revendeur RYOBI se chargera d'envoyer le produit à un centre de réparation RYOBI. Lorsque vous envoyez un produit à un service après-vente RYOBI, celui-ci doit être correctement emballé, sans contenir aucun produit dangereux tel que de l'essence, et vous devez indiquer votre adresse ainsi qu'une courte description du problème.
5. Une réparation / un remplacement sous garantie est gratuit(e). Ceci ne constituera pas une extension de garantie ni un nouveau départ de la période de garantie. Les pièces ou les outils remplacés deviennent notre propriété. Dans certains pays, les frais de port devront être assumés par l'expéditeur. Vos droits statutaires restent inchangés.
6. Cette garantie est valable dans la Communauté européenne, la Suisse, l'Irlande, la Norvège, le Liechtenstein, la Turquie, la Russie et le Royaume-Uni. En dehors de ces zones, veuillez contacter votre distributeur agréé RYOBI pour déterminer si une autre garantie s'applique.

SERVICE APRÈS-VENTE AGRÉÉ

Toute demande ou tout problème concernant le produit peut être transmis à votre centre de réparation agréé local (consultez www.ryobitools.eu) ou directement à : Techtronic Industries GmbH, Max Eyth Straße 10, 71364 Winnenden, Germany. Veuillez mentionner le numéro de série et le type de produit imprimés sur l'étiquette.



DE RYOBI GARANTIEBEDINGUNGEN

Zusätzlich zu den gesetzlichen Rechten aus dem Kauf gilt für dieses Produkt die nachstehend aufgeführte Garantie.

- Der Garantiezeitraum beträgt für Verbraucher 24 Monate und beginnt mit dem Datum des Kaufs. Dieses Datum muss eine Rechnung oder einen anderen Kaufbeleg dokumentiert werden. Dieses Produkt wurde ausschließlich zur privaten Nutzung durch Verbraucher entwickelt. Für den Fall einer professionellen bzw. kommerziellen Nutzung besteht daher keine Garantie.
- Es besteht die Möglichkeit, für einen Teil des Sortiments der Gartenwerkzeuge (AC/DC) den Garantiezeitraum über den oben genannten Zeitraum hinaus zu verlängern, indem der Verbraucher die Registrierung auf der Website www.ryobitools.eu durchführt. Die Berechtigung der Werkzeuge für die Garantieverlängerung ist deutlich im Geschäft und/oder auf der Verpackung beschrieben und in der Produktdokumentation erwähnt. Der Verbraucher muss das neu erworbene Gerät online innerhalb von 30 Tagen ab dem Kaufdatum registrieren. Der Verbraucher kann das Gerät zwecks Garantieverlängerung in seinem Wohnsitzland/Heimatland registrieren, wenn dieses Land auf dem Online-Registrierungsformular aufgeführt ist und die Option gültig ist. Darüber hinaus muss der Verbraucher seine Zustimmung zur Speicherung der Daten geben, die online eingegeben werden müssen, und er muss die allgemeinen Geschäftsbedingungen akzeptieren. Die Bestätigung der Registrierung, die per E-Mail versandt wird, und die Originalrechnung mit dem Kaufdatum gelten als Beleg für die Garantieverlängerung.
- Die Garantie deckt alle Defekte des Geräts während des Garantiezeitraums ab, die auf zum Zeitpunkt des Kaufs bestehende Verarbeitungs- oder Materialfehler zurückzuführen sind. Die Garantie beschränkt sich auf Reparatur und/oder Ersatz und beinhaltet keine anderen Verpflichtungen, insbesondere keinen Schadenersatz für Folge- oder Nebenschäden. Die Garantie gilt nicht, wenn das Gerät fehlerhaft eingesetzt wurde, gegensätzlich zur Bedienungsanleitung eingesetzt wurde oder falsch angeschlossen wurde. Die Garantie gilt nicht für Folgendes:
 - Schäden am Gerät, die auf unkorrekte Wartung zurückzuführen sind
 - Geräte, an denen Veränderungen vorgenommen wurden
 - Produkte, bei denen die ursprüngliche Identifizierung (Handelsmarke, Seriennummer) unleserlich gemacht, verändert oder entfernt wurde
 - Schäden durch Nichtbeachtung der Bedienungsanleitung
 - nicht-CE-zertifizierte Geräte
 - Geräte, an denen durch nicht-qualifizierte Personen oder ohne vorherige Genehmigung von Techtronic Industries Reparaturversuche vorgenommen wurden
 - Geräte, die an unkorrekte Energiequellen (Ampere, Volt, Frequenz) angeschlossen wurden
 - Geräte, die mit einer fehlerhaften Treibstoffmischung (Treibstoff, Öl, Ölanteil) betrieben wurden
 - Schäden durch äußere Einflüsse (chemisch, physisch, Stöße) oder Fremdstoffe
 - normaler Verschleiß von Ersatzteilen
 - unangemessene Nutzung, Überlastung des Geräts
 - Nutzung nicht genehmigter Zubehörteile oder Ersatzteile
 - Regelmäßige Einstellung oder Wartungsreinigung des Vergasers
 - Komponenten (Ersatzteile und Zubehörteile), die natürlichem Verschleiß unterliegen, einschließlich, aber nicht beschränkt auf Fadenköpfe, Kohlebürsten, Lager, Spannvorrichtungen, SDS-Bohreraufnahme /Bit-Adapter, Netzplatt, Zusatzhandgriff, Transportkoffer, Schleifplatten, Staubbeutel, Staubabführungen, Filzunterlegscheiben, Bolzen und Federn von Schlagschraubern, einschließlich, aber nicht beschränkt auf Fadenköpfe, Antriebsriemen, Kupplungen, die Klängen von Heckenscheren oder Rasenmähern, Kabelstränge, Gaszüge, Zinken, Steckbolzen, Lüfter, Saug- und Gebläserohre oder Düsen, Fangsäcke und Gurte, Führungsschienen, Sägeketten, Schläuche, Verbinder, Sprühdüsen, Räder, Sprühstäbe, innere Rollen, äußere Spulen, Schneidfäden, Zündkerzen, Luftfilter, Benzin-/ Ölfilter, Häcksel- Messer usw.
- Zum Service muss das Gerät zu einer von RYOBI autorisierten Servicestation gebracht oder dorthin gesendet werden. Die Servicestationen für die einzelnen Länder sind in der folgenden Liste aufgeführt. In einigen Ländern sendet Ihr RYOBI-Händler vor Ort das Gerät an das RYOBI-Serviceunternehmen. Beim Einsenden an die RYOBI-Servicestation sollte das Gerät sicher verpackt sein, ohne gefährliche Inhalte wie Benzin, und es sollte mit der Adresse des Absenders und einer kurzen Beschreibung des Fehlers versehen sein.
- Eine Reparatur bzw. ein Ersatz gemäß dieser Garantie ist kostenlos. Hieraus ergibt sich weder eine Garantieverlängerung noch der Beginn eines neuen Garantiezeitraums. Die ausgetauschten Ersatzteile oder Werkzeuge gehen in unser Eigentum über. In einigen Ländern müssen die Zustelgebühren oder die Versandkosten vom Absender gezahlt werden. Ihre gesetzlichen Rechte aus dem Kauf des Geräts bleiben hiervon unberührt.
- Diese Garantie ist gültig in der Europäischen Gemeinschaft, der Schweiz, Island, Norwegen, Liechtenstein, der Türkei, Russland und dem Vereinigten Königreich. Bitte wenden Sie sich außerhalb dieser Gebiete an Ihren autorisierten RYOBI-Händler, um festzustellen, ob eine andere Garantie gilt.

AUTORISIERTER KUNDENDIENST

Bitte wenden Sie sich bei Fragen zum oder Problemen mit dem Gerät an das örtliche autorisierte Servicecenter (siehe www.ryobitools.eu) oder direkt an: Techtronic Industries GmbH, Max Eyth Straße 10, 71364 Winnenden, Germany. Bitte geben Sie die Seriennummer und den auf dem Typenschild aufgedruckten Gerätetyp an.

ES CONDICIONES DE APLICACIÓN DE LA GARANTÍA DE RYOBI

Además de cualquier derecho legal derivado de la compra, este producto está cubierto por una garantía que se indica a continuación.

- El periodo de garantía es de 24 meses para consumidores y comienza en la fecha en que se compra el producto. Dicha fecha debe documentarse con una factura u otro comprobante de compra. El producto está diseñado y concebido únicamente para el uso privado del consumidor. Por lo tanto, no se ofrece garantía en caso de uso profesional o comercial.
- Existe la posibilidad de ampliar el periodo de garantía respecto a una parte de la gama de herramientas de jardinería (CA/CC) durante el periodo descrito más arriba y mediante el registro en el sitio web www.ryobitools.eu. La elegibilidad de las herramientas para que se amplíe el periodo de garantía se muestra claramente en las tiendas o en el embalaje y está incluida en la documentación del producto. El usuario final tiene que registrar en línea sus herramientas recientemente adquiridas en un plazo de 30 días a partir de la fecha de compra. El usuario final podrá registrarse para obtener la garantía ampliada en su país de residencia si este aparece en la lista del formulario de registro en línea cuando esta opción sea válida. Además, los usuarios finales deberán dar su consentimiento al almacenamiento de los datos necesarios para el acceso en línea y tienen que aceptar los términos y condiciones. El recibo de confirmación de registro, que se envía por correo electrónico, y la factura original que muestra la fecha de compra servirán como comprobante para la garantía ampliada.
- La garantía cubre todos los defectos del producto durante el periodo de garantía debido a fallos de mano de obra o material en la fecha de compra. La garantía se limita a la reparación o sustitución y no incluye ninguna otra obligación como, por ejemplo, daños accidentales o consecuentes. La garantía no es válida si se ha usado mal el producto, se ha usado contraviniendo el manual de instrucciones o se ha conectado de forma incorrecta. Esta garantía no es aplicable a:
 - ningún daño en el producto que sea consecuencia de un mantenimiento inadecuado
 - ningún producto que haya sido alterado o modificado
 - ningún producto en el que los marcados de identificación originales (marca comercial, número de serie) se hayan borrado, modificado o eliminado
 - ningún daño provocado por no seguir el manual de instrucciones
 - ningún producto que no sea CE
 - ningún producto que haya sufrido un intento de reparación por parte de un profesional no cualificado o sin la autorización previa de Techtronic Industries.
 - ningún producto conectado a un suministro eléctrico inadecuado (amperios, voltaje, frecuencia)
 - ningún producto usado con una mezcla de combustible inadecuada (combustible, aceite, porcentaje de aceite)
 - ningún daño causado por influencias externas (químicas, físicas, impactos) o sustancias extrañas
 - desgaste normal de piezas de repuesto
 - uso inadecuado, sobrecarga de la herramienta
 - uso de accesorios o piezas no aprobados
 - Cualquier ajuste periódico o limpieza de mantenimiento de los carburadores
 - Componentes (piezas y accesorios) sujetos al desgaste natural incluyendo, entre otros, pomos de golpes, correas de transmisión, embragues, cuchillas de cortasetos o cortacésped, arneses, cable del acelerador, escobillas de carbono, cables eléctricos, pías, discos de filtro, pasadores de enganche, ventiladores de soplador, tubos de aspiración y de soplado, bolsos y correas de aspiración, barras guías, cadenas de sierra, mangueras, herrajes de conectores, boquillas pulverizadoras, ruedas, lanzas pulverizadoras, bobinas interiores, carretes exteriores, líneas de corte, bujías, filtros de aire, filtros de gas, cuchillas de compostaje, etc.
- Para su mantenimiento, el producto debe enviarse o presentarse a una estación de servicio de RYOBI autorizada que figure en la siguiente lista de direcciones de estaciones de servicio por países. En algunos países, su distribuidor RYOBI local se responsabiliza de enviar el producto a la compañía de servicio de RYOBI. Cuando se envíe un producto a una estación de servicio de RYOBI, este debe estar empaquetado de forma segura sin contenidos peligrosos como gasolina, marcado con la dirección del remitente y acompañado de una breve descripción del fallo.
- Una reparación / sustitución con esta garantía es gratuita. No constituye una ampliación ni un nuevo comienzo del periodo de garantía. Las piezas o herramientas intercambiadas pasan a ser de nuestra propiedad. En algunos países, los gastos de envío o correo tendrán que pagarlos el remitente. Sus derechos legales derivados de esta compra de la herramienta no se verán afectados.
- Esta garantía es válida en la Comunidad Europea, Suiza, Islandia, Noruega, Liechtenstein, Turquía, Rusia y el Reino Unido. Fuera de estas zonas, póngase en contacto con su distribuidor de RYOBI autorizado para determinar si es aplicable otra garantía.

SERVICIO TÉCNICO AUTORIZADO

Cualquier solicitud o problema relacionado con el producto se puede remitir a su centro de servicio autorizado local (visite www.ryobitools.eu) o directamente a: Techtronic Industries GmbH, Max Eyth Straße 10, 71364 Winnenden, Germany. Indique el número de serie y el tipo de producto que aparecen impresos en la etiqueta.



IT CONDIZIONI DI VALIDITÀ DELLA GARANZIA RYOBI

In aggiunta ai diritti di legge risultanti dall'acquisto, il prodotto è coperto dalla garanzia sotto descritta.

1. Il periodo di garanzia è di 24 mesi per i consumatori, a decorrere dalla data di acquisto del prodotto. La data deve essere documentata da una fattura o altra prova d'acquisto. Il prodotto è progettato e destinato solo all'utilizzo privato dei consumatori. Pertanto non viene fornita alcuna garanzia in caso di uso professionale o commerciale.
2. Per una serie di utensili da giardino (CA/CC) è possibile prolungare il periodo di garanzia oltre quello descritto, registrandosi sul sito web www.ryobitools.eu. Gli utensili per i quali è possibile prolungare il periodo di garanzia sono chiaramente indicati nei negozi e/o sulle confezioni e nella documentazione dei prodotti. L'utente deve registrare online l'utensile acquistato entro 30 giorni dalla data di acquisto. L'utente può registrarsi per la garanzia prolungata nel proprio paese di residenza, se questo è elencato nel modulo di registrazione online dove questa opzione sia valida. Inoltre gli utenti devono fornire il proprio consenso alla conservazione dei dati da immettere online e devono accettare le condizioni generali. La conferma di registrazione, inviata tramite e-mail, e la fattura originale indicante la data di acquisto, costituiranno la prova della garanzia prolungata.
3. La garanzia copre tutti i difetti del prodotto durante il periodo di garanzia, risultati da manodopera o materiali alla data di acquisto. La garanzia è limitata alla riparazione e/o sostituzione e non include alcun altro obbligo quali, a mero titolo esemplificativo, i danni incidentali o consequenziali. La garanzia non è valida se il prodotto è stato usato scorrettamente, in modo contrario al manuale di istruzioni o se è stato collegato in modo errato. La garanzia non è valida per:
 - qualsiasi danno al prodotto dovuto a manutenzione errata;
 - qualsiasi prodotto che sia stato alterato o modificato;
 - qualsiasi prodotto le cui marcature di identificazione originali (marchi di fabbrica, numero di serie) siano state cancellate, alterate o rimosse;
 - qualsiasi danno causato dalla non osservanza delle istruzioni del manuale;
 - qualsiasi prodotto privo di omologazione CE;
 - qualsiasi prodotto che sia stato sottoposto a un tentativo di riparazione da parte di un professionista non qualificato oppure senza la previa autorizzazione di Techtronic Industries;
 - qualsiasi prodotto collegato a un'alimentazione errata (per ampere, tensione, frequenza);
 - qualsiasi prodotto usato con una miscela di carburante errata (carburante, olio, percentuale di olio);
 - qualsiasi danno causato da influenze esterne (chimiche, fisiche, urti) o sostanze estranee;
 - la normale usura delle parti di ricambio;
 - uso inappropriato, sovraccarico dell'utensile;
 - uso di accessori o parti non omologate;
 - qualsiasi regolazione periodica o pulizia di manutenzione dei carburatori;
 - componenti (parti e accessori) soggetti alla normale usura compresi, a mero titolo esemplificativo, testine a filo, cinghie di trasmissione, frizioni, lame di tagliasiepi o tagliaerba, imbragature, cavi di accelerazione, spazzole al carbonio, cavi di alimentazione, denti, rondelle di feltro, perni di aggancio, ventole dei soffiatori, tubi di soffiatori e aspiratori, sacchetti e cinghie per aspirapolvere, barre guida, catene per seghe, tubi, raccordi di connessione, ugelli di spruzzo, ruote, erogatori, bobine interne ed esterne, linee di taglio, candele, filtri dell'aria, filtri del gas, lame per mulching ecc.
4. Per la manutenzione il prodotto dev'essere spedito o portato presso uno dei centri assistenza autorizzati RYOBI elencati per ogni paese nel seguente elenco di indirizzi dei centri. In alcuni paesi il rivenditore locale RYOBI si incarica di inviare il prodotto all'organizzazione di assistenza RYOBI. Quando si invia un prodotto a un centro assistenza RYOBI, imballarlo in modo sicuro senza contenuti pericolosi come la benzina, apporre l'indirizzo del mittente e accompagnarlo da una breve descrizione del guasto.
5. La riparazione/sostituzione ai sensi della presente garanzia è gratuita. Non costituisce un prolungamento o un nuovo inizio del periodo di garanzia. Le parti o gli utensili scambiati diventano di nostra proprietà. In alcuni paesi i costi di consegna o di spedizione postale devono essere pagati dal mittente. I diritti di legge derivanti dall'acquisto dell'utensile rimangono inalterati.
6. La presente garanzia è valida in Comunità Europea, Svizzera, Islanda, Norvegia, Liechtenstein, Turchia, Russia e Regno Unito. Al di fuori di tali aree contattare il rivenditore autorizzato RYOBI per sapere se è valida un'altra garanzia.

CENTRO SERVIZI AUTORIZZATO

Qualsiasi richiesta o problema con il prodotto può essere indirizzato ai centri di assistenza autorizzati locali (visitare www.ryobitools.eu) o direttamente a: Techtronic Industries GmbH, Max Eyth Straße 10, 71364 Winnenden, Germany. Si prega di indicare il numero di serie e il tipo di prodotto stampati sull'etichetta.

NL RYOBI GARANTIEVOORWAARDEN

Naast de wettelijke rechten die voortvloeien uit de aankoop, wordt dit product gedekt door een garantie, zoals hieronder staat vermeld.

1. De garantietermijn voor consumenten bedraagt 24 maanden en gaat in op de datum waarop het product is gekocht. Deze datum moet worden gedocumenteerd met een factuur of ander aankoopbewijs. Het product is uitsluitend ontworpen en bedoeld voor persoonlijk gebruik door consumenten. Er wordt dus geen garantie gegeven voor professioneel of commercieel gebruik.
2. Voor een deel van ons aanbod van tuingereedschappen (AC/DC) is het mogelijk om de garantietermijn te verlengen over de boven beschreven termijn, met behulp van de website www.ryobitools.eu. De gereedschappen die in aanmerking komen voor de verlenging van de garantietermijn wordt duidelijk weergegeven in winkels en/of verpakkingen en staat beschreven in de productdocumentatie. De eindgebruiker moet zijn/har nieuw gekochte gereedschappen binnen 30 dagen na aankoop online registreren. De eindgebruiker kan zich registreren voor de verlengde garantietermijn als zijn woonland staat vermeld op het online registratieformulier waar deze optie geldig is. Bovendien moeten eindgebruikers toestemming geven voor de opslag van de gegevens die online ingevuld moeten worden en moeten ze de algemene voorwaarden accepteren. Het ontvangstbewijs van de registratie, dat per e-mail wordt verzonden en de oorspronkelijke factuur met de aankoopdatum vormt het bewijs van de verlengde garantietermijn.
3. De garantie geldt tijdens de garantietermijn alle gebreken van het product vanwege defecten in vakmanschap of materiaal op de aankoopdatum. De garantie is beperkt tot reparatie en/of vervanging en bevat geen andere verplichtingen, waaronder maar niet beperkt tot incidentele of gevolgschade. De garantie is niet geldig als het product is misbruikt, in strijd met de gebruiksaanwijzing wordt gebruikt of onjuist is aangesloten. Deze garantie geldt niet voor:
 - alle schade aan het product die het gevolg is van onjuist onderhoud
 - elk product dat is veranderd of aangepast
 - elk product waar de oorspronkelijke identificatie (handelsmerk, serienummer) is beschadigd, gewijzigd of verwijderd
 - alle schade die is veroorzaakt door het niet opvolgen van de gebruiksaanwijzing
 - elk niet-CE-product
 - elk product waar een poging tot reparatie is gedaan door een niet-erkende professional of zonder voorafgaande toestemming door Techtronic Industries.
 - elk product dat is verbonden met een verkeerde inductie (amperage, spanning, frequentie)
 - elk product dat wordt gebruikt met een verkeerd brandstofmengsel (brandstof, olie, oliegehalte)
 - alle schade die is veroorzaakt door externe invloeden (chemisch, fysisch, schokken) of vreemde stoffen
 - normale slijtage van reserveonderdelen
 - ongepast gebruik, overbelasting van het gereedschap
 - gebruik van niet-goedgekeurde accessoires of onderdelen
 - Alle periodieke aanpassingen aan of het onderhoud en reiniging van carburateurs
 - Componenten (onderdelen en accessoires) die onderhevig zijn aan natuurlijke slijtage, waaronder maar niet beperkt tot stookknoppen, aandrijfriemen, koppelingen, messen van hegtrimmers of grasmaaiers, hamas, gaskabel, koolstofborstels, stroomsnoeren, tanden, viltringen, koppelingsspannen, blazers, blaas- en zuigbuizen, zuigzakken en -riemen, geleidingsstaven, zaagkettingen, slangen, koppelingen, mondstukken, wielen, spuitstokken, binnenhaspels, buitenhaspels, snijdraden, bougies, luchtfilters, gasfilters, maaimessen, etc.
4. Voor onderhoud moet het product worden verzonden of gebracht naar een erkend servicestation van RYOBI die voor elk land staat vermeld in de volgende lijst met adressen voor servicestations. In sommige landen zal uw lokale RYOBI-dealer het product verzenden naar de RYOBI-serviceorganisatie. Wanneer u het product naar een servicestation van RYOBI verzendt, moet het product veilig worden verpakt zonder enige gevaarlijke inhoud, zoals benzine, met het adres van de afzender en vergezeld van een korte beschrijving van het defect.
5. Een reparatie/vervanging die onder deze garantie valt is gratis. Het vormt geen verlenging of een nieuwe start van de garantietermijn. Vervisselde onderdelen of gereedschappen worden ons eigendom. In sommige landen moeten de verzendkosten door de afzender worden betaald. Uw wettelijke rechten die voortvloeien uit de aankoop van het gereedschap blijven onaangetaast.
6. Deze garantie is geldig binnen de Europese Gemeenschap, Zwitserland, IJsland, Noorwegen, Liechtenstein, Turkije, Rusland en het Verenigd Koninkrijk. Buiten deze gebieden moet u contact opnemen met uw erkende RYOBI-dealer om vast te stellen of er een andere garantie van toepassing is.

GEAUTORISEERD ONDERHOUDSCENTRUM

Elk verzoek of probleem met het product kan worden gericht aan uw lokale geautoriseerde servicecentra (bezoek www.ryobitools.eu) of rechtstreeks aan: Techtronic Industries GmbH, Max Eyth Straße 10, 71364 Winnenden, Germany. Vermeld het serienummer en het type product dat op het etiket staat.

PT CONDIÇÕES DE APLICAÇÃO DA GARANTIA RYOBI

Para além de quaisquer direitos previstos por lei resultantes da compra, este produto está coberto por uma garantia conforme descrição abaixo.

1. O período da garantia é de 24 meses para consumidores particulares e inicia-se na data de compra do produto. Esta data tem de ser documentada por uma factura ou por outra prova de compra. O produto foi concebido para e destina-se apenas a consumidores particulares e uso privado. Assim, não é dada garantia em caso de utilização por profissionais ou uso comercial.
2. Para uma parte da gama de ferramentas de jardim (AC/DC) existe a possibilidade de prolongamento do período da garantia para além do período descrito acima, mediante registo no Web site www.ryobitools.eu. A elegibilidade das ferramentas para prolongamento do período da garantia é claramente visível nas lojas e/ou nas embalagens e está contida na documentação do produto. O utilizador final tem de fazer o registo online das suas ferramentas recém-adquiridas no prazo de 30 dias após a data de compra. O utilizador final pode fazer o registo para prolongamento da garantia no seu país de residência, desde que esteja listado no formulário de registo online e para os casos em que esta opção seja válida. Para além disso, os utilizadores finais têm de autorizar o armazenamento dos dados cujo preenchimento lhes for solicitado online e têm de aceitar os termos e as condições. O recibo de confirmação do registo é enviado por e-mail e, em conjunto com a factura original ostentando a data de compra, servirá de prova do prolongamento da garantia.
3. A garantia cobre todos os defeitos do produto durante o período da garantia devidos a defeitos de fabrico ou de material à data da compra. A garantia está limitada à reparação e/ou substituição e não inclui quaisquer outras obrigações, incluindo mas não se limitando a, perdas complementares ou indirectas. A garantia não é válida se o produto tiver sido utilizado incorrectamente, utilizado de forma contrária ao Manual de Instruções ou se as respectivas ligações tiverem sido feitas incorrectamente. Esta garantia não se aplica ao seguinte:
 - quaisquer danos ao produto que sejam resultado de manutenção incorrecta
 - qualquer produto que tenha sido alterado ou modificado
 - qualquer produto cujas marcações de identificação de origem (marca comercial, número de série) tiverem sido apagadas, alteradas ou retiradas
 - quaisquer danos causados pelo incumprimento do Manual de Instruções
 - qualquer produto que não seja da Comunidade Europeia
 - qualquer produto ao qual tenha sido feita, ou tentada fazer, uma reparação por outra pessoa que não um profissional habilitado ou sem autorização prévia da Techtronic Industries.
 - qualquer produto ligado a uma fonte de alimentação eléctrica incorrecta (Amperes, Voltagem e Frequência)
 - qualquer produto utilizado com uma mistura de combustível incorrecta (combustível, óleo, percentagem de óleo)
 - qualquer dano causado por influências externas (químicas, físicas, impactos) ou substâncias estranhas
 - desgaste e degradação normal de sobresselentes
 - utilização incorrecta, sobrecarga da ferramenta
 - utilização de acessórios ou peças não aprovados
 - quaisquer ajustes periódicos a, ou limpeza de manutenção de, carburadores
 - Componentes (peças e acessórios) sujeitos a desgaste e degradação natural, incluindo mas não se limitando a, maçanetas anti-choque, correias de transmissão, embraiaçagens, lâminas de recortadores de sebes ou cortarelas, arneses, cabos de acelerador, escovas de carvão, cabos eléctricos, dentes, anilhas de feltro, pinos de engate, ventoinhas do soprador, tubos do soprador e do aspirador, cintas e sacos do aspirador, barras de guia, correntes de serra, mangueiras, peças de ligação, bocais de pulverização, rodas, varinhas de pulverização, bobinas interiores, bobinas exteriores, linhas de corte, velas de ignição, filtros do ar, filtros de gasolina, lâminas trituradoras, etc.
4. Para assistência, o produto tem de ser enviado para, ou apresentado em, um posto de assistência autorizado RYOBI, conforme listado para cada país na lista de moradas de postos de assistência seguinte. Nalguns países, o seu concessionário RYOBI local encarrega-se de enviar o produto para a organização de assistência RYOBI. Quando enviar um produto para um posto de assistência RYOBI, o produto deve ser embalado de forma segura, sem conter nenhuns conteúdos perigosos (por exemplo, gasolina), marcado com o endereço do remetente e acompanhado por uma breve descrição da avaria.
5. Uma reparação/substituição ao abrigo desta garantia é gratuita. Não constitui um prolongamento a, nem um novo início de, o período da garantia. As peças ou ferramentas substituídas tornam-se propriedade nossa. Nalguns países, o remetente terá de pagar os custos de entrega ou a remessa postal. Os seus direitos previstos por lei resultantes da compra da ferramenta mantêm-se inalterados
6. Esta garantia é válida na Comunidade Europeia, Suíça, Islândia, Noruega, Liechtenstein, Turquia, Rússia e Reino Unido. Fora destas áreas, entre em contacto com o seu concessionário autorizado RYOBI para determinar se existe outra garantia aplicável.

CENTRO DE ASSISTÊNCIA AUTORIZADO

Qualquer pedido ou problema relacionado com o produto pode ser encaminhado para os seus centros de reparação autorizados locais (visite www.ryobitools.eu) ou directamente para: Techtronic Industries GmbH, Max Eyth Straße 10, 71364 Winnenden, Germany. Indique o número de série e o tipo de produto impressos na etiqueta.

DA RYOBI BETINGELSER FOR GARANTI

Udover lovbestedte rettigheder, som resulterer af købet, er dette produkt dækket af en garanti, som anført herunder.

1. Garantiperioden er 24 måneder for forbrugere og begynder på den dato, som produktet blev købt. Denne dato skal dokumenteres af en faktura eller andet bevis for køb. Produktet er udelukkende designet og dedikeret til forbrugere og privat brug. Så der ydes ingen garanti i tilfælde af professionel eller kommerciel brug.
2. Der er en mulighed for at forlænge garantiperioden for en del af udvalgt af haveværktøj (AC/DC), hen over den ovenfor beskrevne periode vha. registrering på hjemmesiden www.ryobitools.eu. Berettigelsen af værktøjet til forlængelse af garantiperioden er tydeligt vist i butikker og/eller på emballage og indeholdt i produktokumentationen. Slutbrugeren skal registrere hans/hendes nyligt indkøbte værktøj online indenfor 30 dage efter købsdatoen. Slutbrugeren kan registrere sig for den forlængede garanti i sit land, hvis han/hun er opført på den online registreringsformular, hvor denne mulighed er gyldig. Derudover skal slutbrugere give deres samtykke til at opbevare data, som er påkrævet at indstede online, og der er nødt til at acceptere vilkår og betingelser. Registreringsbekræftelseskvitteringen, som sendes ud på e-mail, og den originale faktura, som viser købsdatoen, vil fungere som bevis for den forlængede garanti.
3. Garantien dækker alle defekter, som et produkt måtte have i løbet af garantiperioden, og som skyldes produktionsfejl eller materialefejl på købsdatoen. Garantien er begrænset til reparation og/eller udskitning og inkluderer ikke andre forpligtelser, inklusiv men ikke begrænset til tilfældige skader eller følgeskader. Garantien er ugyldig, hvis produktet er blevet misbrugt, brugt uden at overholde vejledningen, eller det er blevet forkert tilsluttet. Denne garanti gælder ikke:
 - Beskadigelse af produktet, som er et resultat af uegnet vedligeholdelse
 - Et produkt der er blevet ændret eller modificeret
 - Et produkt hvor de originale identifikationsmærkninger (varemærke, serienummer) er blevet ændret, ødelagt eller fjernet.
 - Enhver beskadigelse forårsaget af manglende overholdelse af vejledningen
 - Ethvert ikke CE-produkt
 - Ethvert produkt som er blevet forsøgt repareret af en ukvalificeret professionel eller uden tidligere autorisation af Techtronic Industries.
 - Ethvert produkt som er tilsluttet uegnet strømforsyning (ampere, spænding, frekvens)
 - Ethvert produkt som bruges med uegnet brændstofblandning (brændstof, olie, procentdel olie)
 - Enhver skade forårsaget af eksternt påvirkning (kemisk, fysisk, chok) eller fremmedelementer
 - Normal slid på reservedele
 - Uegnet brug, overbelastning af værktøjet
 - Brug af ikke-godkendt tilbehør eller dele
 - Alle regelmæssige justeringer eller vedligeholdelsesrengøring af karburatorer
 - Komponenter (dele og tilbehør) som er udsat for naturlig slid og ælde, inklusiv men ikke begrænset til drejeknapper, drivrem, greb, klinger til hækktrimmere eller plæneklippere, sele, kabel gasspjæld, kulbøster, elledning, tænder, filtersiver, ophængstapper, blæseventilatorer, blæser- og sugeslanger, sugespøse og stropper, styrestænger, savkæder, slanger, forbindelsespakninger, sprøjetjyser, hjul, sprøjetæve, indvendige ruller, udvendige ruller, udvendige spoler, skærelinjer, tændrør, luftfiltre, gasfiltre, tildækningsblade etc.
4. For eftersyn skal produktet sendes til eller præsenteres for en RYOBI-autoriseret service værksted, som er oplyst for hvert land i den følgende liste over service værksted adresser. I nogle lande påtager din lokale RYOBI-forhandler sig ansvaret for at sende produktet til RYOBI-serviceorganisationen. Når et produkt sendes til en RYOBI-service værksted, skal det pakkes sikkert inden noget farligt indhold som benzin, mærkes med afsenderens adresse og med en kort beskrivelse af fejlen.
5. En reparation/erstatning under denne garanti er gratis. Den udgør ingen forlængelse eller en ny start på garantiperioden. Udvekslede dele eller værktøjer bliver vores ejendom. I nogle lande skal leveringsafgifter eller porto betales af afsenderen. Dine lovbestedte rettigheder i forbindelse med købet forbliver uanfægtede
6. Denne garanti gælder i EU, Schweiz, Island, Norge, Liechtenstein, Tyrkiet, Rusland og Storbritannien. Udenfor disse områder bedes du kontakte din autoriserede RYOBI-forhandler for at afgøre, om en anden garanti gælder.

AUTORISERED SERVICE/VÆRKSTEDER

Enhver anmodning eller problem angående produktet kan adresseres til dine lokale autoriserede servicecentre (gå ind på www.ryobitools.eu) eller direkte til: Techtronic Industries GmbH, Max Eyth Straße 10, 71364 Winnenden, Germany. Angiv serienummer og produkttype, der er trykt på etiketten.

SV RYOBI ANVÄNDNINGSVILLKOR FÖR GARANTI

Förutom eventuella lagstadgade rättigheter som uppstår genom köpet, täcks den här produkten av en garanti som anges nedan.

- Garantiperioden är 24 månader för konsumenter och börjar gälla från det datum då produkten köptes. Detta datum måste dokumenteras på en faktura eller annat köpbevis. Produkten är utformad och avsedd för konsumenter och privat bruk. Därmed tillhandahålls ingen garanti vid yrkesmässigt eller kommersiellt bruk.
- Det finns möjlighet att förlänga garantiperioden för en del av utbudet för trädgårdsverktyg (AC/DC) under den period som anges ovan genom att använda registreringen på webbplatsen www.ryobitools.eu. De verktyg som är berättigade till en förlängning av garantiperioden visas tydligt i butik och/eller på förpackningen/och anges i produktdokumentationen. Slut användaren behöver registrera hans/hennes nyförvärvade verktyg online inom 30 dagar från köpdatumet. Slut användaren kan registrera sig för den förlängda garantin i det land där han/hon bor om landet finns angivet i registreringsformuläret online och där detta alternativ är giltigt. Dessutom måste slut användaren ge sitt medgivande till lagring av data vilket krävs vid registrering online samt acceptera villkoren. Bekräftelsekvittot för registreringen som skickas ut via e-post och originalfakturan som visar köpdatumet kommer att gälla som bevis för den förlängda garantin.
- Garantin täcker alla produktdefekter under garantiperioden som beror på buster i utförande eller material vid köpdatumet. Garantin är begränsad gällande reparation och/eller utbyte och inkluderar inte några skyldigheter inklusive men inte begränsat till oförutsedda skador eller följskador. Garantin är inte giltig om produkten har missbrukats, använts i strid med bruksanvisningen eller inte anslutits på rätt sätt. Denna garanti täcker inte:
 - eventuella skador på produkten som uppstått till följd av felaktigt underhåll
 - produkter som har ändrats eller modifierats
 - produkter där ursprungliga identifieringsmärkningar (varumärke, serienummer) har målats över, ändrats eller tagits bort
 - eventuella skador som uppstått till följd av att bruksanvisningen inte efterföljts
 - alla icke CE-produkter
 - eventuella produkter som har försökts repareras av en icke-kvalificerad yrkesman eller utan föregående medgivande från Technronic Industries.
 - eventuella produkter som anslutits till felaktigt strömförsörjning (ampere, volt, frekvens)
 - eventuella produkter som använts med olämplig bränsleblandning (bränsle, olja, oljeprocent)
 - eventuella skador som uppstått till följd av yttre påverkan (kemisk, fysisk, stötar) eller främmande ämnen
 - normalt slitage av reservdelar
 - olämplig användning, överbelastning av verktyget
 - användningen av icke-godkända tillbehör eller delar
 - Eventuella periodiska justeringar av eller vid underhållsrengöring av förgasare
 - Komponenter (delar och tillbehör) är föremål för naturligt slitage, inklusive men inte begränsat till tryckknappar, drivremmar, koppling, blad till kantrimrar eller gräsklippare, sele, gasreglagevajer, kolborstar, strömstadd, spetsar, filterbrickor, kopplingsprint, blåsflikt, blås- och sugrör, sugpåse och remmar, styrskenor, sägkedjor, slangar, anslutningsdonrördel, spraymunstycken, hjul, spraystavar, innerslurar, ytterspoler, skärblad, tändstift, luftfilter, gasfilter, sönderdelningsblad osv.
- Vid service måste produkten skickas eller uppvisas för en RYOBI- auktoriserad servicestation som står angiven för varje land i följande adresslista över servicestationer. I vissa länder tar din lokala RYOBI-återförsäljare på sig ansvaret att skicka produkten till RYOBI-serviceorganisationen. När en produkt skickas till en RYOBI-servicestation, ska produkten paketeras säkert utan något farligt innehåll såsom bensin, markeras med avsändarens adress samt en kort beskrivning av felet.
- En reparation/ett utbyte under denna garanti är kostnadsfri. Det utgör inte en förlängning eller förnyelse av garantiperioden. Utbyta delar eller verktyg blir vår egendom. I vissa länder måste leveranskostnader eller porto betalas av avsändaren. Dina lagstadgade rättigheter som härrör från köpet av verktyget förblir opåverkade
- Denna garanti är giltig i Europeiska gemenskapen, Schweiz, Island, Norge, Liechtenstein, Turkiet, Ryssland och Storbritannien. Utanför dessa länder, kontakta din auktoriserade RYOBI-återförsäljare för att avgöra om en annan garanti gäller.

AUKTORISERAT SERVICECENTER

Varje begäran eller problem avseende produkten kan adresseras till ditt lokala auktoriserade servicecenter (besök www.ryobitools.eu) eller direkt till: Technronic Industries GmbH, Max Eyth Straße 10, 71364 Winnenden, Germany. Ange serienumret och produkttypen som anges på etiketten.

FI RYOBI-TAKUUN SOVELTAMISEHDOT

Tällä tuotteella on oston luomien lakisäästeiden oikeuksien ohella alla mainitun mukainen takuu.

- Takuun kesto on kuluttajille 24 kuukautta ja takuu-aika alkaa tuotteen ostohetkestä. Tämän päivämäärän tulee lukea laskusta tai muussa ostositteesta. Tuote on suunniteltu ja tarkoitettu vain kuluttajien ja yksityiseen käyttöön. Takuu ei siis kata ammatti- eikä kaupallista käyttöä.
- Joidenkin puutarhatyökalujen (AC/DC) takuun kesto on mahdollista laajentaa yllä mainittua kestoä pidemmäksi verkkosivuston www.ryobitools.eu rekisteröinnin kautta. Työkalujen kelpoisuus takuujakson laajennukseen näky selkeästi myymälöissä ja/tai pakkauksissa ja/tai tämä tieto sisältyy tuotedokumentaation. Loppukäyttäjän täytyy rekisteröidä vasta hankittu työkalu internetissä 30 päivän kuluessa ostopäivämäärästä. Loppukäyttäjällä voi rekisteröidä laajennettun takuun kolmaansa, jos se on luettuna online-rekisteröintilomakkeessa, jossa mainitaan, missä tämä vaihtoehto on voimassa. Loppukäyttäjien täytyy lisäksi hyväksyä tietojen tallennus, jotka heidän täytyy antaa online-tilassa sekä ehdot. Rekisteröinnin vahvistuskuitti, joka lähetetään sähköpostitse, ja alkuperäinen ostopäivämäärän ilmaiseva lasku toimivat laajennettun takuun toistina.
- Takuu kattaa kaikki tuotteen teknisiin vaurioihin, joiden aiheuttajina ovat tuotteen ostopäivänä olleet valmistus- tai materiaali- vauriot. Takuu on rajoitettu korjaukseen ja/tai vaihtoon eikä se sisällä mitään muita velvoitteita mukaan lukien satunnais- ja seuranaisvahinkoja, mutta rajoittumatta niihin. Takuu ei päde, jos tuotetta on käytetty väärin, käyttöohjeen vastaisesti tai jos se on liitetty virheellisesti. Tämä takuu ei kata:
 - virheellisestä huollosta johtuvia vaurioita
 - muunnettua tai muutettua tuotetta
 - tuotetta, jonka alkuperäiset tunnistemerkinnät (tavaramerkki, sarjanumero) on turmeltu, muutettu tai poistettu
 - tämän käyttöoppaan laiminlyönnistä johtuvia vaurioita
 - ei-CE-tuotetta
 - tuotetta, jota on yrittänyt korjata epäpätevä ammattilainen tai joka on korjattu ilman Technronic Industriesin ennakkolupaa.
 - tuotetta, joka on liitetty virheelliseen tehollaiseen (ampeirit, jännite, taajuus)
 - tuotetta, jossa on käytetty väärää polttoainesta (polttoaine, öljy, öljyprosentti)
 - ulkoisten vaikutusten (kemiallinen, fyysinen, iskut) tai vieraiden aineiden aiheuttamaa vauriota
 - normaaleja kulumia vaurioita
 - virheellistä käyttöä, työkalun ylikuormitusta
 - ei-hyväksytyjen tarvikkeiden tai osien käyttöä
 - Kaasutinten säännöllistä säätöä tai ylläpitävää puhdistusta
 - Luonnollisesti kulumia komponentteja (osia tai tarvikkeita), joihin sisältyvät puskunupit, käyttöahinat, kytkin, pensasleikkuriin tai ruohonleikkuriin terät, valjaat, kaasuvaijeri, hiiharijat, virtajohto, piikit, huopatiivistet, sokkatapit, puhallintuuletimet, puhallin- ja imuputket, imuriin säkit ja hinnat, terälevyt, sahanketjut, letkut, liitinosa, suihkusuuttimet, pyörät, ruiskutusputket, sisä- ja ulkokelat, leikkusuimat, hehkutulpat, ilmaansuodattimet, kaasusuodattimet, silpputerät yms. näihin kuitenkaan rajoittumatta.
- Tuote on lähetettävä huollettavaksi valtuutettuun RYOBI-huoltoon tai näytettävä siellä. Niiden osoitteet kussakin maassa löytyvät seuraavasta luettelosta. Joissakin maissa paikallinen RYOBI-jälleenmyyjä huolehtii tuotteen lähetyksestä RYOBI-huolto-organisaatioon. Kun tuote lähetetään RYOBI-huoltoon, se täytyy pakata hyvin ilman vaarallisia aineita, kuten polttoainetta, ja pakkaukseen täytyy merkitä lähettäjän nimi sekä vian lyhyt kuvaus.
- Takuun kattama korjaus/vaihto on maksuton. Se ei tarkoita takuuaajan laajennusta tai alkamista alusta. Vaihdetut osat tai työkalut siirtyvät valmistajan omistukseen. Joissakin maissa lähettäjän täytyy maksaa lähetyksustannukset tai postikulut. Työkalun oston luomat lakisäästeiset oikeudet pysyvät koskemattomina
- Tämä takuu on voimassa Euroopan yhteisössä, Sveitsissä, Islannissa, Norjassa, Liechtensteinissä, Turkissa, Venäjällä ja Yhdistyneessä kuningaskunnassa. Osa näiden alueiden ulkopuolella yhteyttä omaan valtuutettuun RYOBI-jälleenmyyjään ja selvittää, onko jotain muuta takuuta.

VALTUUTETTU HUOLTO

Kaikki tuotteen liittyvät pyynnöt tai kysymykset voidaan osoittaa paikallisille valtuutetuille huoltoilikeille (katso www.ryobitools.eu) tai suoraan osoitteeseen: Technronic Industries GmbH, Max Eyth Straße 10, 71364 Winnenden, Germany. Ilmoita tarraan painettu sarjanumero ja tuotetyyppi.



NO RYOBI GARANTIBETINGELSER

I tillegg til eventuelle lovbestemte rettigheter som følger av kjøpet, er dette produktet dekket av en garanti som angitt nedenfor.

- Garantiperioden er 24 måneder for konsumenter og gjelder fra den datoen som produktet ble kjøpt. Denne datoen skal dokumenteres med en faktura eller annet kjøpsbevis. Produktet er designet og beregnet kun til konsument- og privat bruk. Så det gis ingen garanti ved profesjonell eller kommersiell bruk.
- For en del av utvalget av hageverktøy (AC/DC) er det mulighet til å utvide garantiperioden i den perioden som er beskrevet ovenfor ved bruk av registreringer på nettsidene www.ryobitools.eu. Kvalifiseringen av verktøyene for en utvidelse av garantiperioden er tydelig vist i butikker og/eller på pakningen / og finnes innen produktdokumentasjonen. Slutbrukeren må registrere sine nylig anskaffede verktøy online innen 30 dager etter kjøpsdato. Slutbrukeren kan registrere seg for den utvidede garantien i sitt land hvis det er opplistet på online registreringsskjemaet der dette alternativet er gyldig. Videre må slutbrukere gi sitt samtykke til oppbevaring av dataene som kreves for å gå online, og de må godta vilkår og betingelser. Registreringsbekreftelsen, som sendes ut på e-post, og den originale fakturaen som viser kjøpsdato, vil tjene som bevis for den utvidede garantien.
- Garantien dekker alle defekter i produktet under garantiperioden på grunn av defekter i uferøse eller materiale på kjøpsdato. Garantien er begrenset til å reparere eller erstatte og inkluderer ikke noen andre forpliktelser, inkludert, men ikke begrenset til, tilfellede eller følgesmessige skader. Garantien er ikke gyldig hvis produktet har blitt misbrukt, brukt på annen måte enn det som beskrives i bruksanvisningen eller er koblet til på feil måte. Denne garantien gjelder ikke for:
 - enhver skade på produktet som er resultat av utilstrekkelig vedlikehold
 - ethvert produkt som har blitt endret eller modifisert
 - ethvert produkt der de originale identifiseringsmerkene (varemerke, serienummer) har blitt uleselig, er endret eller fjernet
 - enhver skade som forårsakes av ikke-overholdelse av instruksjonshåndboken
 - ethvert ikke-CE-produkt
 - ethvert produkt som har blitt forsøkt reparert eller av en ikke-kvalifisert fagperson eller uten tidligere autorisasjon fra Technonic Industries.
 - ethvert produkt tilkoblet feil strømforsyning (ampere, spenning, frekvens)
 - ethvert produkt som brukes med feil drivstoffblanding (drivstoff, olje, prosentandel olje)
 - enhver skade som er forårsaket av eksterne påvirkninger (kjemiske, fysiske, støt) eller fremmede stoffer
 - normal slitasje og sliteser vedeler
 - feil bruk, overbelastning av verktøyet
 - bruk av ikke-godkjent tilbehør eller deler
 - Eventuelle periodiske justeringer av eller vedlikeholdsrengjøring av forbrennere
 - Komponenter (deler og tilbehør) som er underlagt naturlig slitasje, inkludert, men ikke begrenset til bulkknott, drivreimer, clutch, blader på hekktrimmere eller gressklippere, seler, kabelspjeld, karbonbørster, strømledning, kniver, feltpakninger, heispinner, blåsevifter, blåse- og vakuumslang, vakuumpose og reimer, førerstenger, sagkjeder, strømper, koblingsmonteringer, spraydyser, hjul, spraystenger, indre spoler, ytre spoler, kutteliner, tennplugg, luftfilter, gassfilter, mulchingblader osv.
- For service må produktet sendes eller fremlegges for en RYOBI- autorisert servicestasjon opplistet for hvert land i den følgende listen over servicestasjonsadresser. I noen land sender den lokale RYOBI-forhandleren produktet til RYOBI serviceorganisasjonen. Ved å sende et produkt til en RYOBI servicestasjon skal produktet være sikkert pakket uten noe farlig innhold, slik som bensin, merket med senderens adresse og fulgt av en kort beskrivelse av feilen.
- En reparasjon/erstatning under denne garantien er gratis. Den utgjør ingen forlengelse eller en ny start av garantiperioden. Utvekslede deler eller verktøy blir vår eiendom. I noen land vil leveringskostnader eller franking måtte betales av senderen. Dine lovbestemte rettigheter som oppstår fra kjøp av verktøyet forblir uberørt.
- Denne garantien er gyldig i EU, Sveits, Island, Norge, Liechtenstein, Tyrkia, Russland og Storbritannia. Utenfor disse områdene ta kontakt med din autoriserte RYOBI-forhandler om en annen garanti gjelder.

AUTORISERT SERVICESTER

Enhver forespørsel eller problem med produktet kan henvises til de lokale autoriserte servicestasjonene (se www.ryobitools.eu) eller direkte til: Technonic Industries GmbH, Max Eyth Straße 10, 71364 Winnenden, Germany. Angi serienummer og produkttype som er trykket på etiketten.

RU УСЛОВИЯ ПРИМЕНЕНИЯ ГАРАНТИИ НА ПРОДУКЦИЮ RYOBI

Помимо законных прав, возникающих при покупке, данное изделие покрывается гарантией в соответствии с приведенными ниже пунктами.

- Гарантийный период для покупателя составляет 24 месяца с даты покупки изделия. Дата покупки должна быть подтверждена полностью заполненным гарантийным талоном и чеком о покупке. Данное изделие предназначено только для частного использования покупателем. Поэтому гарантия не распространяется на использование в профессиональных или коммерческих целях.
- Предусмотрена возможность продления для части изделий линейки садовых инструментов (AC/DC) гарантийного периода с помощью регистрации на сайте www.ryobitools.eu. Право инструмента на продление гарантийного периода четко указано в магазинах и / или на упаковке / и содержится в сопутствующей инструменту документации. Конечный пользователь должен зарегистрировать свой приобретенный инструмент в течение 30 дней с даты покупки. Конечный пользователь может зарегистрировать свой инструмент на продление гарантии в стране своего проживания, если она указана в форме онлайн-регистрации. Кроме того, конечный пользователь должен дать свое согласие на хранение данных, которые необходимо ввести в онлайн-форму и принять правила и условия. Подтверждение регистрации, которое вы получите по электронной почте, заполненный гарантийный талон и оригинальный чек, в котором указана дата покупки, будут служить доказательством продленной гарантии.
- Гарантия покрывает в течение гарантийного периода все дефекты качества или материала изделия на дату покупки. Гарантия ограничена ремонтом и / или заменой и не включает никакие другие обязательства, включая, но не ограничиваясь случайными или косвенными убытками. Гарантия становится недействительной, если изделие использовалось не по назначению, вопреки инструкциям, данным в Руководстве пользователя или было неправильно подключено. Настоящая гарантия не распространяется на:
 - любые повреждения изделия в результате неправильного технического обслуживания или недостаточного ухода за инструментом
 - любые изделия, подвергшиеся изменениям и модификации
 - любые изделия, оригинальные идентификационные отметки которого (торговая марка, серийный номер) были повреждены, изменены или удалены
 - любые повреждения, вызванные несоблюдением инструкций Руководства пользователя
 - любые изделия, не сертифицированные маркировкой "CE" для продажи в Европейском союзе
 - любые изделия, подвергшиеся попыткам ремонта неквалифицированным работником или без предварительного утверждения компаний Technonic Industries.
 - любые изделия, подключенные к неправильно источнику питания (сила тока, напряжение, частота)
 - любые изделия, в которых использовались несоответствующие топливные смеси (топливо, масло, процент масла)
 - любые повреждения, вызванные внешними воздействиями (химические, физические, удары) или посторонними веществами
 - естественный износ запасных деталей
 - несоответствующее использование, перегрузка инструмента
 - использование неутвержденных аксессуаров и неоригинальных запасных деталей
 - любые регулярные регулировки, техническое обслуживание или чистка карбюраторов
 - компоненты (детали и аксессуары), подверженные естественному износу, включая, но не ограничиваясь фиксаторы шпули приводные ремни, сцепные муфты, лезвия триммеров и газонокосилок, плечевые ремни, кабельный дроссельный регулятор, угольные щетки, кабели питания, зубья, волочные шайбы, фиксирующие шпильки, вентиляторы воздухоуду, трубки воздухоудуки и пылесоса, мешок для сбора мусора и ремни, пыльные шины, пыльные цепи, шланги, соединительные детали, распылительные насадки, колеса, распылительные переходники, внутренние катушки и шпули, режущую леску, свечи зажигания, воздушные и топливные фильтры, мультицирующие лезвия и др.
- Для проведения технического обслуживания изделие следует направлять в авторизованные сервисные центры RYOBI, указанные для каждой страны в приведенном ниже списке адресов станций сервисного обслуживания. В некоторых странах местные дилеры RYOBI отправляют изделия в сервисные организации RYOBI. При отправке изделия в сервисный центр RYOBI, изделие должно быть безопасно упаковано и не содержать никаких опасных веществ, таких как бензин, должен быть подписан адрес отправителя и сопровождаться кратким описанием неисправности.
- Ремонт / замена проводится в рамках настоящей гарантии бесплатно. Он не продлевает гарантию и не начинает новый гарантийный период. Заменяемые детали и инструменты становятся нашей собственностью. В некоторых странах отправитель должен оплачивать стоимость отправки. Ваши законные права, возникшие при покупке инструмента, остаются неизменными
- Настоящая гарантия действительна в Европейском Сообществе, Швейцарии, Исландии, Норвегии, Лихтенштейне, Турции, России и Великобритании. Вне указанных территорий обращайтесь к своему авторизованному дилеру RYOBI, чтобы узнать, применяются ли условия каких-либо других гарантий.

УПОЛНОМОЧЕННЫЙ СЕРВИСНЫЙ ЦЕНТР

При возникновении проблем с изделием обращайтесь в один из региональных авторизованных сервисных центров (см. www.ryobitools.eu) или напрямую: Technonic Industries GmbH, Max Eyth Straße 10, 71364 Winnenden, Germany. Укажите серийный номер и тип изделия, указанные на табличке.



PL WARUNKI GWARANCJI RYOBI

Opórcz praw ustawowych wynikajících z zakupu produkt jest objęty gwarancją, której warunki podano poniżej.

- Okres gwarancji wynosi 24 miesiące dla konsumentów i rozpoczyna się w dniu zakupu produktu. Datę zakupu należy udokumentować fakturą lub innym dowodem zakupu. Produkt został zaprojektowany i jest przeznaczony do użytku konsumencijskiego i prywatnego. W związku z tym gwarancja nie obejmuje zastosowań profesjonalnych i komercyjnych.
- Istnieje możliwość wydłużenia okresu gwarancyjnego dla części asortymentu narzędzi ogrodniczych (AC/DC) poprzez zarejestrowanie produktu na stronie internetowej www.ryobitools.eu. Kwalifikowalność narzędzi do wydłużenia okresu gwarancyjnego jest wyraźnie określona w sklepach i/lub na opakowaniu oraz w dokumentacji produktu. Użytkownik końcowy musi zarejestrować nowo kupione narzędzia online w ciągu 30 dni od daty zakupu. Użytkownik końcowy może zarejestrować się w celu przedłużenia gwarancji w swoim kraju zamieszkania, jeżeli jest on wymieniony w formularzu rejestracji online, gdzie opcja ta obowiązuje. Ponadto użytkownicy końcowi muszą wyrazić zgodę na przechowywanie danych, wprowadzanych na stronie internetowej i zaakceptować regulamin. Dowodem wydłużenia gwarancji jest wysłane pocztą elektroniczną potwierdzenie rejestracji i oryginalny faktura potwierdzający datę zakupu.
- Gwarancja obejmuje wszystkie wady produktu ujawnione w okresie gwarancyjnym wynikające usterek wykonania lub materiału obecných w dniu zakupu. Gwarancja jest ograniczona do naprawy i/lub wymiany i nie obejmuje żadnych innych zobowiązań, w tym między innymi odpowiedzialności za szkody przypadkowe lub wtórne. Gwarancja nie obejmuje, jeżeli produkt był nieprawidłowo używany, używany niezgodnie z instrukcją lub nie był prawidłowo podłączony. Gwarancja nie obejmuje:
 - uszkodzenia produktu wynikającego z nieprawidłowej konserwacji,
 - produktu, który został zmieniony lub zmodyfikowany,
 - produktu, którego oryginalne oznaczenie (znak towarowy, numer seryjny) zostało zniszczone, zmienione lub usunięte,
 - jakiegokolwiek uszkodzeń wynikających z nieprzestrzegania instrukcji,
 - jakiegokolwiek produktu bez certyfikatu CE,
 - jakiegokolwiek produktu, który próbowano naprawić z pomocą niewykwalifikowanej osoby lub bez uzyskania wcześniejszej zgody firmy Technonic Industries.
 - jakiegokolwiek produktu podłączonego nie nieprawidłowego źródła zasilania (nieprawidłowe nateżenie prądu, napięcie, częstotliwość),
 - jakiegokolwiek produktu, który był używany z nieprawidłową mieszanką paliwową (paliwo, olej, procentowy udział oleju),
 - jakiegokolwiek uszkodzeń spowodowanych wpływem czynników zewnętrznych (chemicznych, fizycznych, drgan) lub substancji obcych,
 - normalnego zużycia części zamienných,
 - nieprawidłowego użycia, przecięzienia narzędzia,
 - stosowania niezatwierdzonych akcesoriów lub części,
 - jakiegokolwiek okresowych regulacji lub czyszczenia gaźników w ramach konserwacji
 - elementów (części i akcesoriów) podlegających naturalnemu zużyciu, obejmujących, między innymi, kopolki do zwalniania żyłki, pasy napędowe, sprzęgło, ostrza przycinarek do żywopłotów lub kosiarzek do trawy, uprząż, przepustnicę linkową, szcztolki węglowe, przewód zasilania, zęby, podkładki filcowe, kołki podnośnika, wentylatory dmuchawy, rury nadmuchowe i ssawne, worek na śmieci i paski, prowadnice, łańcuchy piły, węże, mocowanie złącz, dysze natryskowe, koła, przęty natryskowe, szpule wewnętrzne, szpule zewnętrzne, filtry gazu, ostrza do ściółkowania itp.
- W celu serwisowania produkt należy wysłać lub okazać w autoryzowanym punkcie serwisowym RYOBI znajdującym się na przedstawionym poniżej wykazie punktów serwisowych w poszczególných krajach. W niektórych krajach lokalny dystrybutor produktów RYOBI podejmuje się wysyłki produktu do centrum serwisowego RYOBI. W przypadku wysyłki do punktu serwisowego RYOBI produkt — pozbawiony jakiegokolwiek niebezpiecznych substancji, na przykład benzyny — należy bezpiecznie zapakować i dołączyć adres nadawcy oraz krótki opis usterki.
- Naprawa/wymiana w ramach niniejszej gwarancji jest bezpłatna. Nie stanowi jednak o przedłużeniu lub rozpoczęciu od nowa biegu okresu gwarancyjnego. Wymienione części lub narzędzia stają się naszą własnością. W przypadku niektórych krajów nadawca będzie musiał uregulować koszty dostawy lub opłaty pocztowe. Prawa ustawowe wynikające z zakupu narzędzia pozostają niezmienione.
- Niniejsza gwarancja obowiązuje we Wspólnocie Europejskiej, Szwajcarii, na Islandii, w Norwegii, a także w Liechtensteinie, Turcji, Rosji oraz Zjednoczonym Królestwie Wielkiej Brytanii i Irlandii Północnej. Poza tymi obszarami należy skontaktować się z autoryzowanym dostawcą produktów RYOBI i ustalić, czy obowiązuje inna gwarancja.

AUTORYZOWANY PUNKT SERWISOWY

Wszelkie zapytania i problemy z produktem można zgłaszać do lokalnych autoryzowanych centrów serwisowych (patrz www.ryobitools.eu) lub bezpośrednio do: Technonic Industries GmbH, Max Eyth Straße 10, 71364 Winnenden, Germany. Prosimy o podanie wydrukowanego na etykiecie numeru seryjnego oraz typu produktu.

CS ZÁRUČNÍ PODMÍNKY RYOBI

Kromě zákonných práv vyplývajících z koupě výrobku se na tento výrobek vztahuje také níže uvedené záruka.

- Záruční doba pro spotřebitele je 24 měsíců a začíná datem nákupu výrobku. Datum musí být zaznamenáno na fakturě nebo jiném dokladu o koupi. Tento výrobek je navržen a určen pouze pro soukromé účely spotřebitele. Záruka se tedy nevztahuje na profesionální nebo komerční využití výrobku.
- U některých zahradních nástrojů (AC/DC) je možné záruční dobu prodloužit. K tomu je nutná registrace na stránkách www.ryobitools.eu. Možnost prodloužené záruční doby výrobků je jasně uvedena v prodejních, popř. na obalech nebo v dokumentech o výrobku. Koncový uživatel musí svůj nový nástroj zaregistrovat online do 30 dnů od data nákupu. Koncový uživatel se může k prodloužené záruční době zaregistrovat v zemi trvalého pobytu, pokud je tato uvedena na internetovém registračním formuláři u výrobku, kde je tato možnost dostupná. Koncový uživatel musí dále souhlasit s uložením osobních údajů, která musí zadat na internetu, a přijmout obchodní podmínky. E-mail s potvrzením registrace a původní faktura s datem koupě poslouží jako důkaz o prodloužené záruce.
- Záruka se vztahuje na veškeré vady na výrobku v rámci záruční doby způsobené výrobními vadami nebo vadami materiálu v době koupě. Záruka je omezena na opravu, popřípadě výměnu a nezahrnuje žádné další povinnosti, včetně mimo jiné vedlejších či následných odškodnění. Záruka neplatí při použití výrobku k nevhodným účelům, v rozporu s uživatelskou příručkou nebo při nesprávném zapojení. Záruka se nevztahuje na:
 - veškeré škody na výrobku způsobené nesprávnou údržbou
 - veškeré produkty, které byly pozměněny nebo upraveny
 - veškeré produkty, kde byly původní identifikační prvky (obchodní značka, sériové číslo) poničeny, pozměněny nebo odstraněny
 - veškeré škody způsobené nedodržením podmínek uživatelské příručky
 - veškeré produkty bez CE certifikace
 - veškeré produkty, které se pokusil opravit nekvalifikovaný odborník nebo opravy bez předchozího svolení společnosti Technonic Industries.
 - veškeré produkty zapojené do nesprávného elektrického zdroje (proud, napětí, frekvence)
 - veškeré produkty používané s nevhodnou palivovou směsí (palivo, olej, procento oleje)
 - veškeré škody způsobené externími vlivy (chemickými, fyzickými, nárazy) nebo cizími látkami
 - běžné opotřebování dílů
 - nevhodné použití, přetěžování nástroje
 - použití neschválených příslušenství nebo dílů
 - veškerá pravidelná seřízení nebo čištění v rámci údržby karburátorů
 - komponenty (díly a příslušenství) podléhající opotřebení, včetně mimo jiné nárazových koleček, posuvných pásů, spojek, nožů plových nůžek a sekaček na trávu, popruhu, plynového lanka, karbonových kartáčů, napájecího kabelu, zubů, plstěných podložek, závesných kolíků, větráků fukaru, trubic fukaru a vysavače, vaku a popruhů vysavače, vodících listů, plových řetězů, hadic, konektorů, trysek, kol, stříkačích tyčí, vnitřních cívek, vnějších kotočů, řezných strun, zapalovačích svíček, vzduchových filtrů, plynových filtrů, mulčovačích nožů atd.
- K provedení servisu musí být výrobek zaslán nebo předán do autorizovaného servisního centra společnosti RYOBI, jejichž adresy jsou uvedeny podle zemí v seznamu servisních center. V některých zemích za vás výrobek pošle servisní organizaci RYOBI sám prodejce výrobků této značky. Při zaslání výrobku do servisního centra RYOBI je potřeba výrobek bezpečně zabalit bez nebezpečného obsahu jako benzín, opatřit adresou odesílatele a připojit krátký popis závady.
- Oprava, popř. výměna v rámci této záruky je zdarma. Neznámená to prodloužení nebo začátek nové záruční lhůty. Vyměněné díly nebo nástroje přejdou do našeho vlastnictví. V některých zemích platí poštovné odesílatele. Vaše zákonná práva vyplývající z koupě tohoto nástroje zůstávají nedotčena.
- Tato záruka platí v Evropském společenství, Švýcarsku, na Islandu, v Norsku, Liechtensteinu, Turecku, Rusku a Spojeném království. Mimo tato území kontaktujte autorizovaného prodejce značky RYOBI, který zjistí, zda se na výrobek vztahuje jiná záruka.

POVĚŘENÉ SERVISNÍ STŘEDISKO

S požadavky nebo problémy týkajícími se tohoto výrobku se můžete obracet na místní pověřené servisní středisko (podle www.ryobitools.eu) nebo přímo na: Technonic Industries GmbH, Max Eyth Straße 10, 71364 Winnenden, Germany. Uveďte výrobní číslo a druh výrobku ze štítku.

HU A RYOBI GARANCIA ALKALMAZÁSÁNAK FELTÉTELEI

A vásárlásból adódó törvényben rögzített jogok mellett a termékre az alábbi garancia vonatkozik.

1. A fogyasztói garancia tartama 24 hónap, mely a termék vásárlásának napjával kezdődik. Ezt a dátumot számlával vagy a vásárlást igazoló egyéb dokumentummal kell bizonyítani. A termék rendelése csak fogyasztói és magánéltelű használat. Ezért professzionális vagy kereskedelmi használat esetén a garancia nem érvényes.
2. A kerti szerszámok (egyenáramú/váltóáramú) egy részénél a garancia időtartama a www.ryobitools.eu weboldalon regisztrálva meghosszabbítható. Az áruházakban, a csomagoláson, illetve a termék dokumentációjában egyértelműen jelezzve van, hogy az adott termék garanciája meghosszabbítható-e. A végfelhasználónak a vásárlás dátumától számított 30 napon belül regisztrálnia kell az újonnan vásárolt szerszámot. A végfelhasználó akkor regisztrálhat a kiterjesztett garanciára, ha az ország, ahol lakik, fel van sorolva az online regisztrációs újrapon azon országok között, ahol választható ez az opció. Ezenkívül a végfelhasználónak bele kell egyeznie az online regisztrálás során megadott adatok tárolásába, és el kell fogadnia a felhasználási feltételeket. A kiterjesztett garanciát a regisztráció beérkezésétől e-mailben küldött visszaigazolás és a vásárlás dátumát tartalmazó eredeti számla igazolja.
3. A garancia a termék vásárlásakor fennálló, a gyártás során keletkezett hibákra és anyaghibákra érvényes a garanciális időtartamon belül. A garancia csak a javításra/cserére korlátozódik, és nem terjed ki semmilyen egyéb kötelezettségre, nem kizárólagosan ideértve a véletlen vagy szándékos rongálást. A garancia nem érvényes, ha a termék nem megfelelően, a használati utasításban foglaltakkal ellentétben, illetve nem megfelelően csatlakoztatva használták. A garancia nem vonatkozik:
 - a terméket a nem megfelelő karbantartás következtében ért károsodásra
 - megváltoztatott vagy átalakított termékre
 - olyan termékre, melyen az eredeti azonosítókat (védjegy, sorozatszám) megromlottak, megváltoztatták vagy eltávolították
 - a használati utasítás be nem tartásából eredő kára
 - CE jelöléssel nem rendelkező termékekre
 - olyan termékre, melyet nem képzett, illetve a Techtronic Industries által nem fejlesztett szerelő javított
 - nem megfelelő (áramerősségű, feszültségű, frekvenciájú) áramforrásra csatlakoztatott termékre
 - nem megfelelő üzemanyag-keverékkel (üzemanyag, olaj, olaj aránya) használt termékre
 - külső (vegyi, fizikai, ütés) hatásokból vagy idegen anyagokból eredő károokra
 - a cserélhető alkatrészek természetes kopására és elhasználódására
 - a szerszám helytelen használatára, túlterhelésére
 - nem jóváhagyott tartozékok és alkatrészek használatára
 - A karburátorok rendszeres beállítása, karbantartása, tisztítása
 - A természetes kopásnak és elhasználódásnak kitett alkatrészek és kiegészítők, például (de nem kizárólag) damildobok, ékszíjak, foglalatok, sövényvágók és fűnyírók kése, heveder, gázbombon, szénkefék, tápkábel, kultivátorfogak, ficalátétek, akasztószögek, fűvókészülekek ventilátora, fűvó- és szívócsovek, szívózsák és pántok, terelőrudak, fűrészlánccok, tömlők, csatlakozószerelvények, permetezőfejek, kerekék, permetezőzsárok, belső dobok, külső csévék, vágódamlok, gyújtógyertyák, légszűrők, gázsűrők, mulcsözőkészek stb.
4. A terméket javításra el kell vinni egy meghatalmazott RYOBI szervizbe; ezeket az egyes országokhoz a következők listában találja. Egyes országokban a helyi RYOBI kereskedő vállalja a termék elszállítását a RYOBI szervizbe. A terméket veszélyes tartalom, például benzin nélkül csomagolva, a feladó címét feltüntetve, a hiba rövid leírásával együtt küldje el a RYOBI szervizbe.
5. A jelen garancia hatálya alatt végzett javítás, illetve csere ingyenes. Nem jelenti a garanciális időtartam újraindulását. A kicserélt alkatrészek és szerszámok a mi tulajdonunkba kerülnek. Egyes országokban a szállítás vagy postázás költsége a feladó viseli. A bevőnek a szerszám megvásárlásából adódó törvényes jogai nem változnak.
6. Ez a garancia az Európai Közösségben, Svájcban, Izlandon, Norvégiában, Liechtensteinben, Törökországban, Oroszországban és az Egyesült Királyságban érvényes. E területen kívül kérdezze meg a RYOBI forgalmazót, hogy milyen garancia van érvényben.

HIVATALOS SZERVIZKÖZPONT

Ha bármilyen kérése vagy problémája van a termékkel kapcsolatban, forduljon a helyi hivatalos szervizközponthoz (látogasson el a www.ryobitools.eu oldalra), vagy közvetlenül ide: Techtronic Industries GmbH, Max Eyth Straße 10, 71364 Winnenden, Germany. Adja meg a címkére nyomtatott sorozatszámot és terméktípust.

RO CONDIȚII DE APLICARE A GARANȚIEI PENTRU PRODUSELE RYOBI

În plus față de condițiile statutare rezultate din achiziționarea acestui produs, acesta este acoperit de garanția stipulată mai jos.

1. Perioada de garanție este de 24 de luni pentru consumatori și începe de la data achiziționării produsului. Data de începere a garanției trebuie demonstrată cu o factură sau altă dovadă a cumpărării produsului. Produsul este destinat și conceput doar pentru utilizare în scopuri personale. Din acest motiv, nu se oferă garanție pentru utilizarea sa în scop profesional sau comercial.
2. Există posibilitatea de extindere a perioadei de garanție pentru gama de unelte electrice pentru grădini (de CA/CC) peste perioada stipulată mai sus prin înscrierea produsului pe website-ul www.ryobitools.eu. Eligibilitatea pentru perioada de extindere a garanției este afișată în mod clar în magazinele de vânzare și/sau pe ambalaj sau este inclusă în documentația livrată împreună cu produsul. Utilizatorul final este obligat să-și înregistreze produsul online în termen de maxim 30 de zile de la achiziția acestuia. Utilizatorul final poate înregistra produsul pentru garanția extinsă oferită în țara sa de rezidență dacă aceasta este listată în formularul de înregistrare online și dacă această opțiune este validă. În plus, utilizatorul final trebuie să-și dea acordul pentru stocarea datelor personale solicitate la înregistrarea online și trebuie să accepte termenii și condițiile. Mesajul de confirmare a înregistrării, trimis prin e-mail și factura originală cu data achiziției vor dovedi perioada de garanție extinsă.
3. Garanția acoperă toate defecțiunile produsului survenite în perioada de garanție datorate defectelor de execuție sau materialelor folosite, începând cu data achiziției acestuia. Garanția este limitată la reparare și/sau înlocuire și nu include alte obligații, inclusiv, dar fără a se limita la daune accidentale sau rezultate pe cale de consecință. Garanția își pierde valabilitatea dacă produsul este utilizat necorespunzător, utilizat neconform cu instrucțiunile de utilizare din manualul cu instrucțiuni sau conectat incorect. Garanția nu se aplică în cazul:
 - oricărei defecțiuni survenite în urma întreținerii necorespunzătoare a produsului
 - oricărui produs alterat sau modificat
 - oricărui produs la care inscripțiile cu datele de identificare (marca comercială, numărul de serie) au fost șterse, modificate sau îndepărtate
 - oricărei defecțiuni datorate neconformării cu instrucțiunile din manualul de utilizare
 - oricărui produs necertificat CE
 - oricărui produs asupra căruia au fost efectuate tentative de reparare de către personal necalificat sau fără autorizație prealabilă din partea Techtronic Industries.
 - oricărui produs conectat la o sursă de alimentare necorespunzătoare (curent, tensiune, frecvență)
 - oricărui produs utilizat cu un amestec de carburant necorespunzător (combustibil, ulei, proporții de adaos ulei)
 - oricărui defecțiuni datorate unor influențe externe (chimice, fizice, șocuri) sau substanțe străine
 - uzurii și fisurării normale a pieselor de rezervă
 - utilizării neadevurate, suprasolicitei unei unelte
 - utilizării de piese și accesorii neaprobate
 - Orice operații de curățare sau reglare periodică a carburatoarelor
4. Componentele (piese și accesorii) supuse uzurii și defecțiilor normale, care includ, fără a se limita la manșona de protecție, curele de transmisie, ambreiaj, lamele de la tăietoarele de arbore sau gazon, hamașamente, cablu de accelerație, perii de cărbune, cordon de alimentare, dinți, discuri de păsă, știfturi de siguranță, ventilatoare de suflantă, tuburi de aspirare sau suflare, sac de colectare resturi și banda de susținere a acestuia, bare de ghidare, lanțuri de fierăstrău, furtunuri, accesorii de conectare, duze de pulverizare, volante, baghete de pulverizare, moșoare interne, carcase exterioare pentru moșoare, fire tăietoare, bujii, filtre de aer, filtre de gaz, lame de tocător, etc.
5. Pentru efectuarea reparațiilor, produsul trebuie trimis sau adus la un centru de reparații autorizat RYOBI din lista următoare de centre de reparații prezentate pentru fiecare țară. În anumite țări, reprezentatul local RYOBI va trimite produsul spre reparare la sediul central de reparații RYOBI. Atunci când trimiteți produsul spre reparare la un centru de reparații RYOBI, acesta trebuie ambalat în siguranță, fără conținut periculos (cum ar fi benzină), marcat cu adresa expeditorului și însoțit de o scurtă descriere a defectului.
6. Repararea/înlocuirea în perioada de garanție este gratuită. Aceasta nu este însoțită de o prelungire sau o reințiere a perioadei de garanție. Piesele sau untele schimbate devin proprietatea dvs. În anumite țări, taxele de expediție sau poștale vor fi suportate de expeditor. Drepturile dvs. statutare rezultate din achiziția produsului rămân neschimbate
7. Această garanție este valabilă în Comunitatea Europeană, Elveția, Islanda, Norvegia, Liechtenstein, Turcia, Rusia și Marea Britanie. În afara acestor zone, vă rugăm să contactați reprezentantul dvs. local RYOBI pentru a determina dacă se aplică alt tip de garanție.

CENTRU DE SERVICE AUTORIZAT

Orice întrebare sau problemă în legătură cu produsul se poate adresa la centrele locale autorizate de service (vizitați www.ryobitools.eu) sau direct la: Techtronic Industries GmbH, Max Eyth Straße 10, 71364 Winnenden, Germany. Vă rugăm să specificați numărul de serie și tipul de produs tipărite pe eticheta.

ET RYOBI GARANTIINGIMUSED

Lisaks toote ostust tulenevatele seadusjärgsetele õigustele, kehtib tootele ka alloodud garantiaga.

1. Tarbijatele on garantiiaeg 24 kuud ja algab sellel kuupäeval, mil toode osteti. Selle kuupäeva tõestuseks on vaja arvet või mõnda teist tõendit ostu sooritamise kohta. Toode on mõeldud eratarbijate ainult isiklikuks kasutamiseks. Seega ei kehti garantii ostu kasutamisel kusetsegevuses või kaubanduslikel eesmärkidel.
2. Teatud osale (vahelduvvoolu/alisvoolu) aiatööriistadele on võimalik pikendada eespool toodud garantiiaega, kasutades toote registreerimist veebilehel www.ryobitools.eu. Teave tööriista võimaliku pikendatud garantiiaja kohta on selgelt esile toodud poodides ja/või pakendil / ning see sisaldub toote dokumentatsioonis. Lõpptarbijaja peab registreerima oma uued tööriistad interneti teel 30 päeva jooksul pärast ostupaeva. Lõppkasutaja võib registreerida pikendatud garantiiaja saamise oma elukohariigis, kui veebis olevas registreerimismvormis on see valik lubatav. Lisaks peavad kasutajad andma oma nõusoleku veebis nõutud sisestatavate andmete säilitamiseks ning nad peavad nõustuma tingimustega. E-posti teel saadetak registreerimise kinnitus ja arve originaal, kus on näha ostu sooritamise kuupäev, on pikendatud garantiiaja tõestuseks.
3. Garantii katab kõik defektid toote garantiiaja jooksul, kui ostu kuupäeval ilmnevat talitlus- või materjalivead. Garantii piirub toote remondi ja/või väljavahetamisega ning ei sisalda muid kohustusi, muu hulgas ettenägematud või kaudseid kahjusid. Garantii ei kehti, kui toodet ei ole kasutatud sihtotstarbelselt või kooskõlas kasutusjuhendiga või see on valesti ühendatud. Garantii ei kehti järgmistel põhjustel:
 - toode on kahjustatud vale hoolduse tõttu
 - toodet on muudetud
 - toote algupärased identifitseerimismärgised (kaubamärk, seerianumber) on rikutud, muudetud või eemaldatud
 - kahju on tekkinud kasutusjuhendi mittejärgimisest
 - tootel puudub CE-märgis
 - toodet on pöödnud remondita vastavat kvalifikatsiooni mitte omav isik või ilma firma Technonic Industries eelneva loata.
 - toode on ühendatud valesse toiteallikasse (voolutugevus, pinge, sagedus)
 - tootega kasutatud sobimatut kütusesegu (kütus, õli, õli protsent)
 - välismõjude (keemilised, füüsilised, elektrilöögid) või võrkehade tekitatud kahju
 - tavapärase kulumine ja katkised varuosad
 - ebaõige kasutamine, tööriista ülekoormamine
 - heakskiitmata tarvikute või osade kasutamine
 - Karburaatorite korralised reguleerimistööd või hooldus- ja puhastustööd
4. Hooldeks peab toode saatma või viima RYOBI volitatud teenindusse, mille aadressi leiate järgnevast teeninduspunkti nimekirjast vastava riigi alt. Mõnedes riikides võib kohalik RYOBI edasimüüja enda kanda kohustuse saata toode RYOBI teenindusorganisatsiooni. Toote saatmisel RYOBI teenindusse peab toode olema ohutult pakitud ja ei tohi sisaldada ohtlikke aineid (nt bensiini), kirjas peab olema saatja aadress ja lisatud vea lühikirjeldus.
5. Garantii alusel tehtavad remonditööd / asendamine on tasuta. See ei pikenda garantiit kehtivusaega ega tähistu uue garantiiaja algust. Väljavahetatud osad või tööriistad kuuluvad meile. Mõnedes riikides maksab kätetoimetamis- ja postikulud saatja. Teile jäävad kehtima tööriista ostust tulenevad seadusjärgsed õigused
6. See garantii kehtib Euroopa Liidus, Šveitsis, Islandil, Norras, Liechtensteinis, Türgis, Venemaal ja Ühendkuningriigis. Väljaspool neid piirkondi võtke ühendust volitatud RYOBI edasimüüjaga, et teha kindlaks kas kehtib mõni teine garantii.

VOLITATUD HOOLDUSKESKUS

Tootega seotud päringute või probleemide korral pöörduge kohaliku volitatud hoolduskeskuse poole (vt www.ryobitools.eu) või otse aadressile: Technonic Industries GmbH, Max Eyth Straße 10, 71364 Winnenden, Germany. Märkige ära sildil olev seerianumber ja toote tüüp.

HR UVJETI PRIMJENE JAMSTVA TVRTKE RYOBIA

Osim svim zakonskim pravima koja proizlaze iz kupnje, ovaj je proizvod pokriven jamstvom kako je navedeno u nastavku.

1. Jamstveno razdoblje za potrošače traje 24 mjeseca i počinje s datumom na koji je proizvod kupljen. Taj datum mora se dokumentirati računom ili drugim dokazom o kupnji. Proizvod je konstruiran i namijenjen samo za privatnu upotrebu korisnika. Stoga se jamstvo ne daje u slučaju profesionalne ili komercijalne uporabe.
2. Postoji mogućnost da se za dio asortimana vrtnih alata pokrenutih izmjeničnom strujom (AC/DC) proizvodi gore navedeno jamstvo razdoblje putem registriranja na mrežnom mjestu www.ryobitools.eu. Uvjeti koje je potrebno zadovoljiti kako bi se produžilo jamstveno razdoblje jasno su istaknuti u prodavaonicama i / ili na pakiranju / i nalaze se unutar dokumentacije proizvoda. Krajnji korisnik mora registrirati svoje novo kupljene alate na mreži u roku od 30 dana od datuma kupnje. Krajnji korisnik može se registrirati za produženo jamstvo u svojoj zemlji boravišta ako se nalazi na popisu u mrežnom obrascu za registraciju gdje je ta opcija važeća. Nadalje, krajnji korisnici moraju dati svoj pristanak na pohranu podataka koji su potrebni za mrežni ulazak i moraju prihvatiti odredbe i uvjete. Potvrda o prijemu registracije, koja se šalje putem e-pošte, kao i originalni račun s vidljivim datumom kupnje poslužiti će kao dokaz produženog jamstva.
3. Jamstvo pokriva sve nedostatke proizvoda tijekom jamstvenog razdoblja koji su nastali zbog neispravnosti prilikom izrade ili materijala s datumom kupnje. Jamstvo je ograničeno na popravak i/ili zamjenu i ne obuhvaća nikakve druge obveze, uključujući, ali ne ograničavajući se na slučajne ili posljedične štete. Jamstvo ne vrijedi ako je proizvod bio zlorabljivan, korišten u suprotnosti s priručnikom s uputama ili ako je proizvod bio neispravan. Ovo jamstvo ne primjenjuje se na:
 - svako oštećenje proizvoda koje je rezultat nepravilnog održavanja
 - svaki proizvod koji je izmijenjen ili modifikiran
 - svaki proizvod gdje su originalne identifikacijske oznake (zaštitni znak, serijski broj) izbrisane, zamijenjene ili uklonjene
 - svako oštećenje uzrokovano nepravilnim državanjem korisničkog priručnika
 - svaki proizvod koji nije CE
 - svaki proizvod koji je pokušao popraviti ne kvalificirani profesionalac ili bez prethodnog odobrenja od strane Technonic Industries
 - svaki proizvod priključen na nepravilno napajanje energijom (amperi, napon, frekvencija)
 - Svaki proizvod korišten s neodgovarajućom mješavinom (gorivo, ulje, postotak ulja)
 - svako oštećenje uzrokovano vanjskim utjecajima (kemijsko, fiziko, udar) ili stranim stvarima
 - normalno trošenje i habanje rezervnih dijelova
 - nepravilno korištenje, preopterećenje alata
 - korištenje neodobrenog dodatnog pribora ili dijelova
 - rasplinjača nakon 6 mjeseci, podešavanje rasplinjača nakon 6 mjeseci
 - komponente (dijelovi i dodatni pribor) koji su predmet prirodnog trošenja i habanja, uključujući no ne ograničavajući se na gume za otuštanje, pogonske remene, spojku, oštrice trimera za grmlje ili kosilicu, kope, salje gasa, ugljene četke, kabele za napajanje, noževe, podloške, ztike za zglobnu vezu, ventilatore puhalice, cijevi za ispuhivanje i usisavanje, vakuumske vrećice i trake, vodilice, lance pile, crijeva, priključene elemente, mlaznice za raspršivanje, kotače, koplja za raspršivanje, unutarnje kolute, vanjske kalame, flaksove, svjećice, filtre za zrak, filtre za plin, oštrice za usitnjavanje itd.
4. Za potrebe servisiranja, proizvod se mora poslati ili odnijeti u ovlaštenu servisnu postaju tvrtke RYOBI navedenu na sljedećem popisu s adresama servisnih postaja u svakoj zemlji. U nekim zemljama, vaš lokalni RYOBI zastupnik obvezuje se da će poslati proizvod u servisnu organizaciju tvrtke RYOBI. Kada se proizvod šalje u neku servisnu postaju tvrtke RYOBI, proizvod se mora sigurno pakirati bez ijednog od opasnih sadržaja kao što je benzin, na njemu mora pisati adresa pošiljatelja i mora biti popraćen kratkim opisom kvara.
5. Popravak / zamjena pod ovim jamstvom su besplatni. Oni ne predstavljaju produženje ili novi početak jamstvenog razdoblja. Zamijenjeni dijelovi ili alati postaju naše vlasništvo. U nekim državama troškove isporuke ili poštarinu mora platiti pošiljatelj. Vaša zakonska prava koja proizlaze iz kupnje alata ostaju nepromijenjena
6. Ovo jamstvo je valjano u zemljama Europske zajednice, Švicarskoj, Islandu, Norveškoj, Lihtenštajnu, Turskoj, Rusiji i Ujedinjenoj Kraljevini. Izvan tih područja vas molimo da se obratite svojem ovlaštenom zastupniku tvrtke RYOBI kako biste utvrdili primjenjuje li se drugo jamstvo.

OVLAŠTENI SERVISNI CENTAR

Za svaki zahtjev ili problem s proizvodom možete se obratiti vašim ovlaštenim servisnim centrima (posjetite adresu www.ryobitools.eu) ili izravno na: Technonic Industries GmbH, Max Eyth Straße 10, 71364 Winnenden, Germany. Navedite serijski broj i vrstu proizvoda ovisno na naljepnici.

SL POGOJI ZA VELJAVNOST GARANCIJE RYOBI

Poleg morebitnih zakonsko določenih pravic, ki izvirajo iz nakupa, za ta izdelek velja spodaj navedena garancija.

- Garancijsko obdobje je za potrošnike 24 mesecev in začne teči z dnem nakupa izdelka. Ta datum mora biti dokumentiran z računom ali drugim dokazilom o nakupu. Izdelek je zasnovan in namenjen izključno za potrošniško zasebno uporabo. V primeru strokovne oziroma komercialne uporabe izdelka garancija ne velja.
- Obstaja možnost podaljšanja garancije na del naših ponudbe vrtnih orodij (AC/DC) prek obdobja garancije, opisanega zgoraj, s pomočjo registracije na spletnem mestu www.ryobitools.eu. Ustreznost orodij za podaljšanje garancijskega obdobja je jasno prikazana v trgovinah in/ali na embalaži oziroma je navedena v dokumentaciji izdelka. Končni uporabnik mora registrirati svoje novo orodje na spletu v 30 dneh po datumu nakupa. Končni uporabnik lahko registrira podaljšano garancijo v svoji državi bivanja, če je na obrazcu spletne registracije navedeno, da ta možnost velja za njegovo državo. Poleg tega morajo končni uporabniki podati svoje soglasje za shranjevanje podatkov, ki so potrebni za spletni dostop in morajo sprejeti pogoje in določila uporabe spletnega mesta. Potrdilo o registraciji, ki ga pošljemo prek e-pošte, in originalni račun, ki prikazuje datum nakupa, služita kot dokazilo o podaljšani garanciji.
- Garancija krije vse okvare izdelka, do katerih pride v garancijskem obdobju zaradi napak v izdelavi ali materialu, ki so bile prisotne ob datumu nakupa. Garancija je omejena na popravilo in/ali zamenjavo in ne vključuje nobenih drugih obveznosti, med drugim vključno z naključno ali posledično škodo. Garancija ne velja, če je bil izdelek napačno uporabljen, uporabljen v nasprotju z navodili iz priložnice za uporabo ali če ni bil pravilno povezan. Ta garancija ne velja za:
 - škodo na izdelku, ki je posledica neustreznega vzdrževanja
 - spremenjen ali prilagojen izdelek
 - izdelek, katerega originalna identifikacijska oznaka (blagovna znamka, serijska številka) je bil poškodovan, spremenjen ali odstranjen
 - škodo, ki je posledica neupoštevanja navodil iz priložnice za uporabo
 - izdelek, ki nima oznake CE
 - izdelek, ki ga je poskušal popraviti nekvalificiran strokovnjak ali ki je bil popravjen brez predhodne odobritve s strani družbe Technonic Industries.
 - izdelek, ki je bil povezan na neustrezno napajanje (amperska moč, napetost, frekvenca)
 - izdelek, ki je bil uporabljen z neustrezno mešanico goriva (gorivo, olje, odstotek olja)
 - škodo, ki jo povzročijo zunanji vplivi (kemični, fizični, mehanski) ali tuje snovi
 - rezervne dele, ki so podvrženi običajni uporabi
 - neprimerno uporabo, preobremenitev orodja
 - uporabo neodobrenih dodatkov ali delov
 - Vsako redno prilagajanje ali vzdrževalno čiščenje uplinjačev
 - Komponente (sestavni in rezervni deli), ki so podvrženi običajni obrabi, med drugim vključno z gumbi odbijaka, pogonskimi jermeni, sklopko, rezili obrezovalnikov za žive meje ali kosilnic za trato, nosilnimi pasovi, kablji, dušilnimi ventili, oglikovimi krtačami, napajalnimi kablji, zobci, tesnilni iz filca, vezilni zatčiči, ventilatorji pihalnika, cevni pihalnika in sesalnika, vrečko in pasovi sesalnika, vodilnimi palicami, verigami motorne žage, cevni, priključki, razpršilnimi šobami, kolesi, razpršilnimi palicami, notranjimi kolesci, zunanji motki, rezalnimi vrvicami, vžigalnimi svečkami, zračnimi filtri, plinskimi filtri, rezili za mulčenje itd.
- Za servisiranje morate izdelek poslati ali prinesiti v pooblaščen servisni center družbe RYOBI, ki je naveden za vsako državo na naslednjem seznamu naslovov servisnih centrov. V nekaterih državah se vaš lokalni posrednik družbe RYOBI obveže, da bo poslal izdelek na servis družbe RYOBI. Ko pošiljate izdelek v servisni center družbe RYOBI, mora biti izdelek varno zapakiran in ne sme vsebovati nobenih nevarnih snovi, kot je npr. bencin, opremljen pa mora biti z naslovom pošiljatelja in vsebovati kratek opis napake.
- Popravilo/zamenjava v skladu s to garancijo sta brezplačni storitvi. To pa ne predstavlja podaljšanja ali ponovnega začetka garancijskega obdobja. Zamenjani deli ali orodja postanejo naša last. V nekaterih državah stroške dostave ali poštno plača pošiljatelj. Vaše zakonsko določene pravice, ki izvirajo iz nakupa orodja, ostajajo nespremenjene.
- Ta garancija velja v Evropski skupnosti, Švici, na Islandiji, Norveškem, v Lichtenštajnu, Turčiji, Rusiji in Združenem kraljestvu. Izven teh območij se obrnite na svojega pooblaščenega posrednika izdelkov RYOBI, dealer ki vam bo povedal, ali velja kakšna druga garancija.

POOBLAŠČEN SERVISNI CENTER

V primeru zahtev ali težav v zvezi z izdelkom se lahko obrnete na lokalne pooblaščené servise centre (obiščite www.ryobitools.eu) ali neposredno na: Technonic Industries GmbH, Max Eyth Straße 10, 71364 Winnenden, Germany. Prosimo, da navedete serijsko številko in tip izdelka, ki sta natisnjena na oznaki.

SK ZÁRUČNÉ PODMIENKY RYOBI

Na tento výrobok sa okrem všetkých zákonných práv, vyplývajúcich z nákupu, vzťahuje záruka v nasledovnom znení.

- Záručná doba pre spotrebiteľa je 24 mesiacov a začína plynúť odo dňa, kedy bol výrobok zakúpený. Tento dátum musí byť doložený faktúrou alebo iným dokladom o zakúpení. Výrobok je navrhnutý a určený pre spotrebiteľov a len na súkromné používanie. Preto sa záruka sa neposkytuje v prípade použitia na profesionálne a komerčné účely.
- V prípade záhradného náradia (na striedavý/jednosmerný prúd AC/DC), existuje možnosť predĺženia záručnej doby oproti záručnej dobe, uvedenej vyššie, s využitím on-line registrácie na webovej stránke www.ryobitools.eu. Označenie na náradí o nároku na predĺženie záručnej doby je zreteľne uvedené v obchodoch a/alebo na obale a je uvedené v dokumentácii k výrobku. Koncový používateľ musí zaregistrovať svoje novozískané náradie on-line do 30 dní odo dňa nákupu. Koncový používateľ sa môže zaregistrovať na predĺženie záruky v krajine svojej bydliska, ak je v on-line registračnom formulári uvedená táto možnosť. Ďalej musia koncoví používatelia ešte dať svoj súhlas k uchovávaní údajov, ktoré je potrebné zadať on-line a musia súhlasiť s podmienkami. Potvrdenie o prijatí registrácie, ktorú je zasielané e-mailom a original faktúry, v ktorej je uvedený dátum nákupu, slúžia ako dôkaz o predĺženej záruke.
- Záruka sa vzťahuje na všetky poruchy výrobku v záručnej dobe, spôsobené chybami materiálů alebo spracovania k dátumu nákupu. Táto záruka je omedzená na opravu a/alebo výmenu a nezahŕňažiadne ďalšie povinnosti, vrátane, okrem iných, náhodné alebo následné škody. Táto záruka je neplátná, ak bol výrobok nesprávne používaný, bol používaný v rozpore s návodom na použitie alebo bol nesprávne zapojený. Táto záruka sa nevzťahuje na:
 - akékoľvek poškodenie výrobku, ktoré bolo spôsobené nesprávnou obsluhou
 - akýkoľvek výrobok, ktorý bol zmenený alebo upravený
 - akýkoľvek výrobok, na ktorom bolo poškodené, upravené alebo odstránené identifikačné označenie (ochranná známka, výrobné číslo)
 - akékoľvek škody, spôsobené nedodržaním návodu na obsluhu
 - akýkoľvek výrobok, ktorý neobsahuje označenie CE
 - akýkoľvek výrobok, ktorý sa pokúšal opravovať nekvalifikovaný odborník alebo bol opravovaný bez predchádzajúceho súhlasu so stranou spoločnosti Technonic Industries.
 - akýkoľvek výrobok, pripojený k nesprávnemu napájacíemu zdroju (ampéry, napätie, frekvencia)
 - akýkoľvek výrobok, používaný s nesprávnou palivovou zmesou (palivo, olej, percento oleja)
 - akékoľvek poškodenia, spôsobené vonkajšími vplyvmi (chemickými, fyzikálnymi, nárazmi) alebo cudzorodými látkami
 - bežné opotrebovanie náhradných dielov
 - nevhodné používanie, preťažovanie nástroja
 - používanie neschváleného príslušenstva a dielov
 - Akékoľvek pravidelné úpravy alebo čistenie karburátorov, vykonávaných vrámi údržby
 - Súčiastky (diely a príslušenstvo), ktoré podliehajú prirodzenému opotrebeniu, okrem iných, otočné gombíky, hnacie remene, spojka, nože na nožnice na živý plot alebo kosačku na trávu, popruhy, lanko škrítacej klapky, uhličky, napájací kábel, radličky, plsténé podložky, závesné kľince, lopatky fúkačov, trubice vysávača a fúkača, vak do vysávača a popruhy, vodiace lišty, retazové pily, hadice, spojovacie armatúry, trysky, kolesá, striekacie rúrky, vnútorné cievy, vonkajšie cievy, žacie lanká, zapalovacie sviečky, vzduchové filtre, benzínové filtre, mulčovacie nože atď.
- Na opravu musí byť výrobok odoslaný alebo doručený do autorizovaného servisného strediska RYOBI, udešeného pre každú krajinu v nasledovnom zozname adries servisných stredísk. V niektorých krajinách miestny zástupca RYOBI preberá na seba záväzok zoslať tovar do servisnej organizácie RYOBI. Pri odoslaní výrobku do servisného strediska RYOBI je potrebné výrobok bezpečne zabaliť bez akéhokoľvek nebezpečného obsahu, ako je benzín, s vyznačením adresy odosielateľa, s krátkym popisom poruchy.
- Oprava/výmena je vrámi tejto záruky bezplatná. Nezmenená to predĺženie záruky alebo spustenie novej záručnej doby. Vymenené diely alebo nástroje sa stávajú našim vlastníctvom. V niektorých krajinách náklady na odoslanie alebo poštovné musí zaplatiť odosielateľ. Vaše zákonné práva, vyplývajúce z nákupu náradia, zostávajú nedotknuté.
- Táto záruka je plátná v Európskych spoločenstvách, Švajčiarsku, Islande, Nórsku, Lichtenštajnsku, Turecku, Rusku a Spojenom kráľovstve. Ak sa nachádzate mimo týchto oblastí, obráťte sa na autorizovaného predajcu RYOBI na určenie, či sa dá uplatniť iná záruka.

AUTORIZOVANÉ SERVISNÉ CENTRUM

Všetky žiadosti alebo problémy s výrobkom možno adresovať miestnym autorizovaným servisným strediskám (navštívte www.ryobitools.eu) alebo priamo na: Technonic Industries GmbH, Max Eyth Straße 10, 71364 Winnenden, Germany. Uvedte sériové číslo a typ výrobku uvedené na etike.



BG УСЛОВИЯ ЗА ВАЛИДНОСТ НА ГАРАНЦИЯТА НА RYOBI

В допълнение към законоустановените права, произтичащи от покупката, този продукт е обхванат от гаранция, както е изложено по-долу.

- Гаранционният срок е 24 месеца за клиенти и започва да тече от деня на закупуване на продукта. Тази дата трябва да се докаже с фактура или друго доказателство за покупка. Продуктът е изработен и предназначен само за потребителска и лична употреба. Следователно не се дава гаранция в случай на използване от професионалисти или с търговска цел.
- Съществува възможност за удължаване на гаранционния срок за част от диапазона на гаранцията на градински инструменти (AC/DC) след изтичането на описания тук чрез регистрацията на уеб сайта www.ryobitools.eu. В магазините или на опаковката или вътре в документацията на продукта е показано ясно дали инструментът отговаря на условията за такова удължаване на гаранционния срок. Крайният потребител трябва да регистрира своите новопридобити инструменти онлайн в рамките на 30 дни от датата на покупка. Крайният потребител може да се регистрира за удължена гаранция в държавата си на пребиваване, ако е посочена във формуляра за онлайн регистрация като място, където тази опция е валидна. Освен това крайните потребители трябва да дадат съгласието си за съхранение на данните, които са задължителни за ползване онлайн, и трябва да приемат общите условия. Получено потвърждение за регистрацията, изпратено по електронна поща, и оригиналната фактура, показваща датата на покупка, ще служат като доказателство за удължената гаранция.
- Гаранцията покрива всички дефекти на продукта по време на гаранционния срок, които се дължат на проблеми в изработката или материалите към момента на покупката. Гаранцията е ограничена до ремонт или замяна и не включва други задължения, включително, но не само, случайни или косвени щети. Гаранцията е невалидна, ако продуктът е използван неправилно или в противоречие с ръководството с инструкции, както и ако е свързан неправилно. Тази гаранция не важи за:
 - щети по продукта в резултат на неправилна профилактика
 - продукти, които са били изменени или модифицирани
 - продукт, при който оригиналните маркировки за идентификация (търговска марка, сериен номер) са изтрити, променени или премахнати
 - повреда, причинена от неспазване на ръководството с инструкции
 - продукт без CE маркировка
 - продукт, за който е направен опит за ремонт от некавалифициран специалист или без предварително разрешение от Techntronics Industries.
 - продукт, свързан към неподходящо електрозахранване (ампераж, волтаж, честота)
 - продукт, използван с неподходяща горивна смес (гориво, масло, процент масло)
 - щети, причинени от външни влияния (химични, физични, удари) или чужди вещества
 - нормално износване на резервни части
 - неподходяща употреба, претоварване на инструмента
 - използване на неподобрени аксесоари или части
 - Всякакви периодични настройки или почистване с цел извършване на поддръжка на карбуратори
 - Компоненти (част и аксесоари), подложени на естествено износване, включително, но не само, колчета за тласкане, задвижващи ремъци, съединители, остриета на ножици за жив плет или косачки за трева, презарима, кабелни дротел, карбонови четки, захранващ кабел, остриета, филцови шайби, осигурителни щифтове, вентилатори на уреди за обдухване, тръби за обдухване и всмукване, торба за отпадъци и ремъци, водещи шини, вериги за трюни, маркучи, фитинги на конектори, дюзи, колепа, пръскалки, вътрешни и външни макари, режещо влакно, запалителни свещи, въздушни филтри, горивни филтри, остриета за мулчиране и др.
- За обслужване продуктът трябва да се изпрати или занесе на оторизиран сервиз на RYOBI, посочен за всяка държава в следния списък с адреси на сервиси. В някои държави местният търговец на RYOBI поема отговорността да изпрати продукта до сервизен център на RYOBI. При изпращане на продукт до сервиз на RYOBI той трябва да е опакован безопасно без опасно съдържание, напр. бензин, да е маркиран с адреса на подателя и придружен от кратко описание на повредата.
- Ремонтът/замяната по силата на тази гаранция са безплатни. Те не водят до удължаване или подновяване на гаранционния срок. Сменените части или инструменти стават наша собственост. В някои държави таксите за доставка или изпращане трябва да се платят от подателя. Законоустановените ви права, произтичащи от закупуването на инструмента, остават незаеснати
- Тази гаранция е валидна в Европейската общност, Швейцария, Испания, Норвегия, Лихтенщайн, Турция и Обединеното кралство. Извън тези области се свържете с упълномощения търговец на RYOBI, за да се установи дали е приложима друга гаранция.

УПЪЛНОМОЩЕН СЕРВИЗЕН ЦЕНТЪР

Всички заявки или проблеми, свързани с продукта, могат да бъдат отправяни към местните упълномощени сервизни центрове (посетете www.ryobitools.eu) или директно до: Techntronics Industries GmbH, Max Eyth Straße 10, 71364 Winnenden, Germany. Посочете сериен номер и типа на продукта, отпечатани върху етикета.

UK ГАРАНТИЙНИ УМОВИ ДЛЯ RYOBI

Окрім загалом установлених законом прав, що стосуються покупки, цей пристрій покривається гарантією, що зазначено нижче.

- Гарантійний період для споживачів складає 24 місяці і починається з моменту придбання цього пристрою. Ця дата повинна бути задокументована у гарантійному талоні або чеку, що підтверджує покупку. Цей пристрій був розроблений і призначений тільки для споживача та приватного використання. У разі професійного або комерційного використання цього пристрою, він втрачає гарантію.
- Існує можливість продовжити гарантійний період, понад період описаний вище, для частини лінійки садових інструментів (перемінного/постійного струму) за допомогою реєстрації на сайті www.ryobitools.eu. Пристрої, які мають право на подовження гарантійного періоду, мають чіткі позначки щодо цього в магазинах і/або на упаковці / та документі до пристрою. Кінцевий користувач повинен зареєструвати його/її новопридбаний пристрій онлайн протягом 30 днів з дати покупки. Кінцевий користувач може зареєструватися для подовження гарантійного періоду в своїй країні постійного перебування, якщо вона є доступною у відповідній опції онлайн форми реєстрації. Крім того, кінцеві користувачі повинні дати свою згоду на зберігання даних, які необхідні для введення онлайн, а також вони повинні прийняти правила та умови. Отримавши підтвердження реєстрації, яке відправляється на адресу електронної пошти, та оригінал гарантійного талона і зазначеною датою покупки буде слугувати доказом подовженої гарантії.
- Гарантія поширюється на всі дефекти пристрою протягом гарантійного терміну щодо недотримання стандартів виробництва або матеріалів на дату придбання. Гарантія обмежується ремонтом та/або заміною, та не включає в себе будь-яких інших зобов'язань, в тому числі, але не обмежена у разі випадкових та подальших пошкоджень. Гарантія не діє, якщо пристрій використовувався неналежним чином, всупереч інструкції з експлуатації або був неправильно підключений до мережі. Дана гарантія не поширюється на:
 - пристрої, що були пошкоджені у результаті неправильного технічного обслуговування;
 - пристрої, що були видозмінені або модифіковані;
 - пристрої, оригінальне ідентифікаційне (товарний знак, серійний номер) маркування яких було пошкоджене, змінене або видалено;
 - будь-які пошкодження, заподіяні недотриманням інструкції з експлуатації;
 - пристрої, що не мають маркування CE;
 - пристрої, що були відремонтовані некаліфікованим фахівцем або за відсутності попереднього дозволу від Techntronics Industries;
 - пристрої, підключені до невідповідного джерела живлення (сила току, напруга, частота);
 - пристрої, що використовувалися із невідповідною паливною сумішшю (паливом, оливою, відсотковою часткою оливи);
 - будь-які пошкодження спричинені зовнішнім впливом (хімічними, фізичним, стрибком напруги) або сторонніми речовинами;
 - нормальну амортизацію запасних частин;
 - невідповідне використання, переваження пристрою;
 - використання невідтверджених запасних частин або аксесуарів;
 - Будь-які періодичні коригування або технічне очищення карбураторів
 - Компоненти (частини та аксесуари) з урахуванням нормального зношування, враховуючи але без обмеження на імпульсні кнопки, ремені приводу, зчеплення, леза кушоріза або газонокосарки, ремені, троси досельного клапану, вугільні щітки, шнур живлення, зубці, фетрові підкладки, зчіпні штири, вентилатори повітродуки, труби пілосооса та повітродуки, вакуумні мішки та накладки, напрямні, ланцюги, гнучкі шланги, з'єднувальні фітинги, розпилювальні насадки, колеса, жорсткі сопла, внутрішні котушки, зовнішні золотники, ріжучу волосін, свічки запалення, повітряні фільтри, протигазові фільтри, мульчувальні леза, т.д.
- Для обслуговування, пристрій має бути відправлений або поданий до одного з авторизованих сервісних центрів RYOBI, які перелічені для кожної країни у наступному переліку адрес сервісних центрів. У деяких країнах місцевий дилер RYOBI зобов'язується відправити пристрій до сервісного центру RYOBI. При відправленні пристрою до сервісного центру RYOBI, пристрій має бути надійно упакований без будь-якого небезпечного вмісту, наприклад бензину, з позначеною адресою відправника та супроводжується коротким описом несправності.
- Ремонт / заміна відповідно до цієї гарантії здійснюється безкоштовно. Це не є основою для подовження або початку нового гарантійного періоду. Замінні частини або прилади переходять до власності компанії. У деяких країнах вартість доставки або поштові витрати повинні бути сплачені відправником. Загально встановлені права покупця на пристрій залишаються незмінними
- Ця гарантія є дійсною у країнах, членах ЄС, Швейцарії, Іспанії, Норвегії, Лихтенштейні, Туреччині, Росії та Великій Британії. За межами цих зон, будь ласка, зверніться до офіційного дилера RYOBI, щоб визначити, чи застосовується інша гарантія.

АВТОРИЗОВАНІ СЕРВІСНІ ЦЕНТРИ

З будь-яких питань або проблем, пов'язаних з пристроєм, ви можете звернутись до місцевих авторизованих сервісних центрів (відвідайте www.ryobitools.eu) або напрямку до: Techntronics Industries GmbH, Max Eyth Straße 10, 71364 Winnenden, Germany. Будь ласка, вкажіть серійний номер та тип продукту, вказані на етикетці.



TR RYOBI GARANTİ UYGULAMA KOŞULLARI

Alımdan kaynaklanan yasal haklara ek olarak, ürün aşağıda belirtilen garanti kapsamındadır.

1. Tüketiciler için 24 ay olan garanti süresi, ürünün satın alındığı tarihte başlar. Bu tarihin bir fatura ya da alım kanıtıyla belgelenmesi gerekir. Ürün sadece tüketim ve özel kullanım için geliştirilmiş ve adanmıştır. Bu nedenle, profesyonel ya da ticari kullanım halinde garanti kapsamı sağlanmaz.
2. Bahçe aletlerinin bir bölümü (AC/DC) için www.ryobitools.eu sayfasındaki kayıt işlemini kullanarak garantisinin belirtilen sürenin ötesine uzatma imkanı mevcuttur. Aletlerin garanti süresinin uzatılmasına uygun olup olmadığı mağazalarda ve / veya ambalajda açıkça belirtilmiş olup, ürün dokümantasyonunda gösterilir. Son kullanıcının yeni aldığı aletleri satın alma tarihini izleyen 30 gün içinde kaydettirmesi gerekir. Son kullanıcı ikamet ettiği ülkede, bu seçeneğin geçerli olduğu çevrimiçi kayıt formunda belirtilmişse, uzatılmış garanti süresi için kayıt yaptırabilir. Dahası, son kullanıcıların çevrimiçi giriş için gerekli verilerin kaydedilmesine izin vermeli ve hüküm ve koşulları kabul etmelidir. E-posta ile gönderilen kayıt teyit makbuzu ve alım tarihini gösteren orijinal fatura uzatılmış garantisinin kanıtı olarak değerlendirilir.
3. Garanti, ürünün alım tarihindeki işçilik ve malzeme kusurları nedeniyle garanti süresi içinde oluşacak bütün arızalarını kapsar. Bu garanti onarım ve değiştirmeyle sınırlı olup, tesadüfi ya da dolaylı hasarlar da dahil, ancak bunlarla kısıtlı olmayan başka hiçbir taahhüdü kapsamaz. Garanti, ürünün kötü, kullanıcı kılavuzuna aykırı kullanılmış ya da yanlış bağlanmış olması halinde geçerli değildir. Bu garanti aşağıdakileri kapsamaz:
 - üründe, yanlış bakımdan kaynaklanan herhangi bir hasar
 - değiştirilmiş ya da modifiye edilmiş herhangi bir ürün
 - orijinal tanıtmı işaretleri (ticari marka, seri numarası) silinmiş, değiştirilmiş ya da kaldırılmış herhangi bir ürün
 - kullanma kılavuzuna uymamaktan kaynaklanmış herhangi bir hasar
 - herhangi bir AT dışı ürün
 - kalifiye olmayan personel tarafından ya da önceden Techtronic Industries onayı alınmadan onarılmış herhangi bir ürün.
 - uygunsuz güç kaynağına (amper, voltaj, frekans) bağlanmış herhangi bir ürün
 - uygunsuz bir yakıt karışımıyla (yakıt, yağ, yap yüzdesi) kullanılmış herhangi bir ürün
 - harici etkenlerden (kimyasal, fiziksel, darbe) veya yabancı cisimlerden kaynaklanan her türlü hasar
 - normal aşınır ve yıpranır aksam
 - uygunsuz kullanım, aletin aşırı yüklenmesi
 - onaysız aksesuar veya parça kullanımı
 - Karbüratörlere uygulanacak her türlü periyodik ayar, bakım veya temizlik
 - Darbe Düğmeleri, Tahrik Kayışları, Kavrama, Çit Budama ya da Çim Bıçme Makinelerinin Bıçakları, Kayış Koşumlar, Kablolu Gaz, Kömür Fırçalar, Güç Kablo, Dişler, Keçe Rondelalar, Bağlantı Pimleri, Üfleyci Pervaneleri, Üfleyci ve Vakum Boruları, Vakum Torbası ve Kayışları, Kılavuz Çubuklar, Zincir Testere, Hortumlar, Konektör bağlantıları, Püskürtme Memeleri, Çarklar, Püskürtme Çubukları, Dahili Makaralar, Harici Makaralar, Kesme Telleri, Bujiler, Hava Filtreleri, Gaz Filtreleri, Malçlama Bıçakları vb. gibi parçaları kapsayan, ancak bunlarla sınırlı olmayan, aşınma ve yıpranmaya tabi bileşenler (aksam ve aksesuarlar).
4. Ürünün servis için her ülkede aşağıdaki servis istasyonları adres listesinde yer alan yetkili bir RYOBI servis istasyonuna gönderilmesi ya götürülmesi gereklidir. Bazı ülkelerde, yerel RYOBI distribütörünüz ürünü RYOBI servis teşkilatına göndermeyi üstlenir. Bir ürün bir RYOBI servis istasyonuna gönderilirken, ürünün güvenli bir biçimde ambalajlanması, benzin gibi tehlikeli maddeler içermemesi, gönderenin adresini taşıması ve arızanın kısa bir açıklamasını içermesi gerekir.
5. Bu garanti kapsamında yapılacak onarım / değişiklik ücretsizdir. Garanti süresinin uzatılması ya da yeniden başlatılması anlamına gelmez. Değiştirilmiş parçalar veya aletler bize ait olur. Bazı ülkelerde teslimat ücretleri veya posta giderlerinin gönderici tarafından ödenmesi gerekir. Alımdan kaynaklanan yasal haklarınız etkilenmez.
6. Bu garanti Avrupa Birliği'nde, İsviçre, İzlanda, Norveç, Lihtenştayn, Türkiye, Rusya ve Birleşik Krallık'ta geçerlidir. Bu alanların dışında, başka bir garantisinin geçerli olup olmadığını belirlemek için lütfen yetkili RYOBI distribütörünüzle irtibata geçin.

YETKİLİ SERVİS MERKEZİ

Ürünle ilgili her türlü talep ve sorun yerel yetkili servis merkezlerine (www.ryobitools.eu adresini ziyaret edin) veya doğrudan aşağıdaki şekilde iletebilirsiniz: Techtronic Industries GmbH, Max Eyth Straße 10, 71364 Winnenden, Germany. Lütfen etikette yer alan seri numarasını ve ürün tipini belirtin.



EN EC DECLARATION OF CONFORMITY

Cordless stick pump

Brand: RYOBI | Manufacturer¹ | Model number² | Serial number range³

We declare as the manufacturer under our sole responsibility that the product mentioned below fulfills all the relevant provisions of the following European Directives, European Regulations and harmonised standards⁴

Authorised to compile the technical file.⁵

FR DÉCLARATION CE DE CONFORMITÉ

Pompe bâton sans fil

Marque: RYOBI | Fabricant¹ | Numéro de modèle² | Étendue des numéros de série³

Nous déclarons sous notre entière responsabilité que le produit mentionné ci-dessous remplit toutes les dispositions pertinentes des directives et réglementations européennes suivantes, ainsi que des normes harmonisées ci-après⁴

Autorisé à rédiger le dossier technique.⁵

DE EG-KONFORMITÄTSEKLRÄRUNG

Akku-Regenfasspumpe

Marke: RYOBI | Hersteller¹ | Modellnummer² | Seriennummernbereich³

Wir erklären in alleiniger Verantwortung, dass das nachstehend erwähnte Produkt allen einschlägigen Bestimmungen der folgenden EU-Richtlinien, EU-Vorschriften und harmonisierten Normen entspricht⁴

Autorisiert die technische Datei zu erstellen.⁵

ES DECLARACIÓN CE DE CONFORMIDAD

Bomba con barra telescópica inalámbrica

Marca: RYOBI | Fabricante¹ | Número de modelo² | Intervalo del número de serie³

Declaramos, bajo nuestra exclusiva responsabilidad, que el producto mencionado a continuación cumple con todas las disposiciones relevantes de las siguientes directivas, normas armonizadas y reglamentos europeos⁴

Autorizado para elaborar la ficha técnica.⁵

IT DICHIARAZIONE CE DI CONFORMITÀ

Pompa a bastone senza fili

Marca: RYOBI | Ditta produttrice¹ | Numero modello² | Gamma numero seriale³

Dichiaro sotto la nostra unica responsabilità che il prodotto descritto in basso soddisfa tutte le disposizioni delle direttive europee e che sono state osservate le norme seguenti⁴

Autorizzato per compilare il file tecnico.⁵

NL EG-VERKLARING VAN OVEREENSTEMMING

Snoerloze steelpomp

Merk: RYOBI | Fabrikant¹ | Modelnummer² | Seriennummerbereik³

Wij verklaren naar onze eigen verantwoordelijkheid, dat het hieronder genoemde product voldoet aan alle relevante bepalingen van de volgende Europese richtlijnen, Europese verordeningen en geharmoniseerde normen⁴

Afgevaardigde voor het samenstellen van de technische fiche.⁵

PT DECLARAÇÃO CE DE CONFORMIDADE

Bomba telescópica sem fios

Marca: RYOBI | Fabricante¹ | Número do modelo² | Intervalo do número de série³

Declaramos sob nossa exclusiva responsabilidade que o produto mencionado abaixo cumpre todas as disposições aplicáveis das seguintes diretivas, regulamentos e normas harmonizadas da União Europeia⁴

Autorizado para compilar o ficheiro técnico.⁵

DA EF-OVERENSSTEMMELSESEKLRERING

Trådløs stavpumpe

Brand: RYOBI | Producent¹ | Modelnummer² | Seriennummerrække³

Vi erklærer under eget ansvar, at produktet nævnt nedenfor opfylder alle de relevante forskrifter i de følgende europæiske direktiver, europæiske forordninger og harmoniserede standarder⁴

Bemyndiget til at udarbejde det tekniske kartotek.⁵

SV EG-FÖRSÄKRAN ÖVERENSSTÄMMELSE

Sladdlös skaftpump

Märke: RYOBI | Tillverkare¹ | Modellnummer² | Seriennummerintervall³

Vi förklarar under eget ansvar att den produkt som nämns nedan uppfyller alla relevanta föreskrifter i följande europeiska direktiv, europeiska förordningar och harmoniserade standarder⁴

Godkänd att sammanställa den tekniska filen.⁵

FI EY-VAAITMUSTENMUKAISUUSVAKUUTUS

Akkukäyttöinen sauvapumppu

Tuotemerkki: RYOBI | Valmistaja¹ | Mallinnumero² | Sarjanumeroalue³

Vakuutamme alla mainitun tuotteen olevan seuraavien eurooppalaisten direktiivien, asetusten ja yhdenmukaistettujen standardien säännösten mukainen⁴

Valtuutettu kokoamaan tekninen tiedosto.⁵

NO CE-SAMSVARSEKLRERING

Kabelfri stikkpumpe

Merke: RYOBI | Producent¹ | Modellnummer² | Seriennummerserie³

Vi erklærer på eget ansvar at produktet beskrevet nedenfor oppfyller alle de relevante

bestemmelsene i de europeiske direktiver, europeiske forskrifter og harmoniserte standarder⁴

Autorisert til å sette sammen den tekniske filen.⁵

RU ДЕКЛАРАЦИЯ О СООТВЕТСТВИИ СТАНДАРТАМ ЕС

Беспроводный штанговый насос

Марка: RYOBI | Изготовитель¹ | Номер модели² | Диапазон заводских номеров³

Со всей ответственностью заявляем, что нижеупомянутое изделие отвечает всем соответствующим положениям следующих европейских директив, европейских регламентов, а также гармонизированных стандартов⁴

Лицо, ответственное за подготовку технической документации.⁵

PL DEKLARACJA ZGODNOŚCI WE

Bezprzewodowa pompa transferowa

Marka: RYOBI | Producent¹ | Numer modelu² | Zakres numerów seryjnych³

Oświadczamy na własną odpowiedzialność, że produkt opisany w sekcji „Specyfikacja” spełnia wszystkie istotne postanowienia wymienionych poniżej dyrektyw UE, przepisów europejskich oraz norm zharmonizowanych⁴

Osoba upoważniona do sporządzenia dokumentu technicznego.⁵

CS CE PROHLÁŠENÍ O SHODĚ

Akumulátorové tyčové čerpadlo

Značka: RYOBI | Výrobce¹ | Číslo modelu² | Rozsah sériových čísel³

Výhradně na vlastní odpovědnost prohlašujeme, že níže uvedený výrobek splňuje všechna příslušná ustanovení evropských směrnic, evropských nařízení a harmonizovaných norem⁴

Pověření ke kompilaci technického souboru.⁵

HU EK-MEGFELELŐSÉGI NYILATKOZATA

Vezeték nélküli szivattyúzó rúd

Márka: RYOBI | Gyártó¹ | Típuszám² | Sorozatszám tartomány³

Kizárólagos felelősségünk keretében nyilatkozunk, hogy az alább említett termék megfelel a következő európai irányelvek, szabályozások és harmonizált szabványok vonatkozó rendelkezéseinek⁴

A műszaki dokumentáció összeállítására felhatalmazott.⁵

RO DECLARAȚIE DE CONFORMITATE CE

Pompă tubulară fără fir

Marcă: RYOBI | Producător¹ | Număr serie² | Gamă număr serie³

Declaram pe proprie responsabilitate că produsul menționat mai jos îndeplinește toate prevederile relevante ale directivelor Uniunii Europene, ale Regulamentelor UE și standardele armonizate⁴

Autorizat să completeze fișa tehnică.⁵

LV EK ATBILSTĪBAS DEKLARĀCIJA

Akumulatoru kāta sūknis

Zīmols: RYOBI | Ražotājs¹ | Modeļa numurs² | Sērijas numura intervāls³

Ar pilnu atbildību mēs deklarējam, ka tālāk norādītais produkts izpilda visas atbilstošās norādīto Eiropas direktīvu, Eiropas regulu un harmonizēto standartu prasības⁴

Pilnvarots sadarbīt tehnisko failu.⁵

LT EB ATITIKTIES DEKLARACIJA

Akumulatorinis vamzdinis siurblys

Prekės ženklas: RYOBI | Gamintojas¹ | Modelio numeris² | Serijinio numerio diapazonas³

Mes atsakingai pareiškiame, kad toliau minimas gaminytis atitinka nurodytus Europos direktivų, Europos reglamentus ir darniuosius standartus⁴

Igaliojotas sudaryti techninį failą.⁵

ET EÜ VASTAVUSDEKLARATSIOON

Juhtmeta varspump

Mark: RYOBI | Tootja¹ | Mudeli number² | Seerianumbri vahemik³

Kinnitame oma ainuvastutusel, et allpool nimetatud toode vastab järgmistele Euroopa direktiivide, Euroopa määruste ja ühtlustatud standardite kõigile asjaomastele sätetele⁴

Tehnilise faili koostamiseks volitatud isik.⁵

HR IZJAVA O SUKLADNOSTI

Akumulatorska štapna pumpa

Marka: RYOBI | Proizvođač¹ | Broj modela² | Raspon serijskog broja³

Pod punom odgovornošću izjavljujemo da proizvod naveden u nastavku zadovoljava sve relevantne odredbe sljedećih europskih direktiva, europskih uredbi i usklađenih normi⁴

Ovlašten da sastavi tehničku datoteku.⁵

SL ES-IZJAVA O SKLADNOSTI

Brezžična palična črpalka

Znamka: RYOBI | Proizvajalec¹ | Številka modela² | Razpon serijskih števil³
Pod izključno lastno odgovornostjo izjavljamo, da spodaj navedeni izdelek izpolnjuje vse ustrezne predpise naslednjih evropskih direktiv, evropskih uredb in harmoniziranih standardov⁴
Pooblaščenca oseba za sestavo tehnične dokumentacije.⁵

SK ES VYHLÁSENIE O ZHODE

Akumulátorové sudové čerpadlo

Značka: RYOBI | Výrobca¹ | Číslo modelu² | Rozsah sériových čísel³
Na vlastnú zodpovednosť vyhlasujeme, že dolu uvedený výrobok vyhovuje príslušným ustanoveniam nasledujúcich európskych smerníc, európskych nariadení a harmonizovaných noriem⁴
Oprávnená osoba na zostavenie technického súboru.⁵

BG CE - ДЕКЛАРАЦИЯ ЗА СЪОТВЕТСТВИЕ

Безжична вертикална помпа

Марка: RYOBI | Производител¹ | Номер на модела² | Обхват на серийни номера³
Декларираме на своя лична отговорност, че продуктът, посочен по-долу, отговаря на всички съответни разпоредби на директивите и регламентите на Европейския съюз и хармонизираните стандарти по-долу⁴
Упълномощено лице за съставяне на техническия файл.⁵

UK СЕРТИФИКАТ ВІДПОВІДНОСТІ ВИМОГІВ СС

Бездротовий бочковий насос

Марка: RYOBI | Виробник¹ | Номер моделу² | Діапазон серійного номеру³
Ми відповідально заявляємо, що описаний нижче пристрій відповідає всім чинним положенням директив СС, Європейських норм та гармонізованих стандартів⁴
Дозвіл на складання технічного файлу.⁵

TR CE UYGUNLUK BEYANI

Kablosuz stik pompa

Marka: RYOBI | Üretici¹ | Model numarası² | Seri numarasi aralığı³
Tüm sorumluluğu bize ait olmak üzere, aşağıda belirtilen ürünün aşağıdaki Avrupa Direktifleri, Avrupa Mevzuatı ve uyumlaştırılmış standartların ilgili hükümlerini yerine getirdiğini beyan ederiz⁴
Teknik dosyayı derlemekle yetkili sorumlu.⁵

¹ Techtronic Industries GmbH
Max-Eyth-Straße 10, 71364 Winnenden, Germany

² RY18STPA

³ 48623501000001 - 48623501999999

⁴ 2014/35/EU, 2014/30/EU, 2011/65/EU, EN 60335-1:2012+A2:2019, EN 60335-2-41:2003+A2:2010, EN IEC 61000-6-1:2019, EN IEC 61000-6-3:2021, EN IEC 63000:2018

Sven Eschrich
VP of Engineering - TTI Outdoor Power Division
Winnenden, Jun. 3, 2022

⁵ Alexander Krug, Managing Director
Techtronic Industries GmbH
Max-Eyth-Straße 10, 71364 Winnenden, Germany

GB-DECLARATION OF CONFORMITY

Manufacturer: Techtronic Industries GmbH
Max-Eyth-Straße 10, 71364 Winnenden, Germany

We declare as the manufacturer under our sole responsibility that the product mentioned below

Cordless stick pump
Brand: RYOBI
Model number: RY18STPA
Serial number range: 48623501000001 - 48623501999999

fulfills all the relevant provisions of the following Regulations: S.I. 2016/1101 (as amended), S.I. 2016/1091 (as amended), S.I. 2012/3032 (as amended), and that the following designated standards have been used:

BS EN 60335-1:2012+A2:2019, BS EN 60335-2-41:2003+A2:2010,
BS EN IEC 61000-6-1:2019, BS EN IEC 61000-6-3:2021,
BS EN IEC 63000:2018

Sven Eschrich
VP of Engineering - TTI Outdoor Power Division
Winnenden, Jun. 3, 2022

Authorised to compile the technical file:
Techtronic Industries (UK) Ltd
Parkway
Marlow Bucks SL7 1YL
UK





EN RYOBI is a trade mark of Ryobi Limited, and is used under license.
FR RYOBI est une marque déposée de Ryobi Limited, et est utilisée sous license.
DE RYOBI ist ein Markenzeichen von Ryobi Limited und wird in Lizenz verwendet.
ES RYOBI es una marca registrada de Ryobi Limited, y se utiliza bajo licencia.
IT L'utilizzo del marchio registrato RYOBI è legato alla licenza concessa da Ryobi Limited.
NL RYOBI is een handelsmerk van Ryobi Limited en wordt onder licentie gebruikt.
PT RYOBI é uma marca comercial de Ryobi Limited, e é utilizada sob licença.
DA RYOBI er et varemærke tilhørende Ryobi Limited og bruges under licens.
SV RYOBI är en del av varumärke Ryobi Limited och dess användning är licensierad.
FI RYOBI on Ryobi Limitedin omistama tavaramerkki, ja sitä käytetään lisenssin puitteissa.
NO RYOBI er et varemerke for Ryobi Limited, og brukes under lisens.
RU RYOBI является товарным знаком компании Ryobi Limited, используемым по лицензии.
PL RYOBI to znak towarowy firmy Ryobi Limited i jest używany zgodnie z udzieloną licencją.
CS RYOBI je ochranná známka společnosti Ryobi Limited a její používání podléhá licenci.
HU A RYOBI a Ryobi Limited védjegye, használatra licenc keretében történik.
RO RYOBI este o marcă comercială a firmei Ryobi Limited și este utilizată sub licență.
LV RYOBI ir Ryobi Limited preču zīme un tiek izmantota saskaņā ar licenci.
LT „RYOBI” yra „Ryobi Limited” prekės ženklas, naudojamas pagal licenciją.
ET RYOBI on ettevõtte Ryobi Limited kaubamärk, mida kasutatakse litsentsi alusel.
HR RYOBI je zīg tvrtke Ryobi Limited i koristi se po licenci.
SL RYOBI je blagovna znamka družbe Ryobi Limited in se uporablja na podlagi dovoljenja.
SK RYOBI je ochranná známka spoločnosti Ryobi Limited a používa sa na základe licencie.
BG RYOBI е търговска марка на Ryobi Limited и се използва под лиценз.
UK RYOBI є товарним знаком Ryobi Limited, і використовується за ліцензією.
TR RYOBI, Ryobi Limited şirketine ait olup, lisans altında kullanilan bir ticari markadır.





Techtronic Industries GmbH
Max-Eyth-Straße 10,
71364 Winnenden, Germany

Techtronic Industries (UK) Ltd
Parkway
Marlow Bucks SL7 1YL
UK

961479075-01

