

RY18PWX41A



IMPORTANT!

It is essential that you read the instructions in this manual before assembling, operating, and maintaining the product.

Subject to technical modification.

Safety, performance, and dependability have been given top priority in the design of your cordless power washer.

INTENDED USE

The cordless power washer is intended for outdoor use only.

The product is designed for home or domestic use. It is intended to clean patio furniture, windows, automobiles, and boats by removal of stubborn dirt using clean water with or without cleaning detergent.

The product should be used in well-illuminated conditions.

Use the designated accessory kits for the power washer when using it for any other purpose, such as spraying consumer-grade cleaning solutions and disinfectants.

Do not use the product for any other purpose.

⚠ WARNING! The product is designed for use with a neutral cleaning agent supplied or recommended by the manufacturer. The use of other cleaning agents or chemicals may adversely affect the safety of the product.

GENERAL SAFETY WARNINGS

⚠ WARNING! Read all safety warnings and all instructions. Failure to follow the warnings and instructions may result in electric shock, fire, and/or serious injury.

⚠ CAUTION! The product must not be used on a drinking water supply without a backflow preventer being installed that corresponds to EN 12729 Type BA. Water flowing through a backflow preventer is not considered drinkable. Do not connect the product to the public drinking water network.

- The product is not intended for use by children or persons with reduced physical, sensory, or mental capabilities, or lack of experience and knowledge. Children should be adequately supervised to ensure they do not play with the product.
- Wear personal protective equipment when operating the product, such as safety goggles and hearing protection.

- To reduce the risk of injury, keep children and bystanders away. All bystanders should wear safety glasses and be kept at a safe distance from the work area.
- Ensure that the safety devices are in good working condition. Make sure that all safety devices are operating properly before each use.
- Do not use the product if the important parts are damaged, such as safety devices or spray wand.

⚠ WARNING! During the use of power washers, aerosols may be formed. Inhalation of aerosols can be hazardous to health. A respiratory mask of class FFP 2 or equivalent may be needed, depending on the cleaning environment

- Do not turn the nozzle while pulling the trigger. If the water is flowing while the nozzle is turned, the relief channel releases the water. This is not a leak, but allows the water to escape without damaging the tool.
- High-pressure jet is dangerous if misused. Do not direct the jet to people, live electronics, or the product itself.
- Do not direct the jet against yourself or others to clean clothes or footwear.
- Hoses, fittings, and couplings are important for the safety of the product. Use only hoses, fittings, and couplings that are recommended by the manufacturer.
- Some regions have regulations that restrict the use of the product in some operations. Check with your local authority for advice.
- Before each use, check for damage. Damaged hoses must be replaced immediately. Ensure that all connections, such as spray wand and nozzle, are secure. Unwind the hose properly so they may not get twisted or kinked.
- Before starting any cleaning operation, close doors and windows. Clear the area to be cleaned of debris, toys, outdoor furniture, or other objects that could create a hazard.
- Do not use the product in temperatures below 0°C.
- Do not use acids, alkaline, solvents, or industrial grade solutions in the product. These products can cause physical injuries to the operator and irreversible damage to the product.

⚠ WARNING! To avoid a risk of explosion, do not spray flammable liquids.

⚠ WARNING! High-pressure jet can be dangerous if subjected to misuse. The jet must not be directed to people, animals, electrical devices, or the product itself.

- Hold the handle securely with both hands. Expect the handle to move when the trigger is pulled due to reaction forces. Failure to do so could cause loss of control and injury to yourself and others.
- Exercise caution to avoid slipping or falling.
- Keep firm footing and balance. Do not overreach. Overreaching can result in loss of balance.
- Never leave the product running unattended. Turn off the product, and leave only when it comes to a complete stop. Keep the product out of reach of children when it is turned on.
- Be familiar with the controls. Know how to stop the product and bleed the pressure quickly.
- Stay alert, and exercise control. Watch what you are doing, and use common sense.
- Do not use the product while tired, ill, or under the influence of drugs, alcohol, or medication. A moment of inattention while operating the product may result in serious personal injury.
- Do not use the product if the switch does not turn it on and off. Any product that cannot be controlled with a switch is dangerous and must be repaired.
- Keep a minimum distance of 30 cm when cleaning vehicles. The high-pressure jet may damage or burst vehicle tires or tire valves.
- The product is not to be used if it has been dropped, if there are visible signs of damage, or if it is leaking.
- Injuries may be caused, or aggravated, by prolonged use of the product. When using the product for prolonged periods, ensure to take regular breaks.

BATTERY PACK SAFETY WARNINGS

- Recharge the battery pack only with the charger specified by the manufacturer. A charger that is suitable for one type of battery pack may create a risk of fire when used with another battery pack.

- When battery pack is not in use, keep it away from other metal objects, such as paper clips, coins, keys, nails, screws, or other small metal objects that can make a connection from one terminal to another. Shorting the battery pack terminals together may cause burns or a fire.
- Keep the battery pack and the charger away from wet and damp conditions.
- Use the product only with battery packs specified in this manual. Use of any other battery packs may create a risk of injury and fire.
- Under abusive conditions, liquid may be ejected from the battery pack; avoid contact. If contact accidentally occurs, flush with water. If liquid contacts eyes, seek medical help. Liquid ejected from the battery pack may cause irritation or burns.
- Do not dispose of battery packs together with household waste material. They must be collected separately and returned to an environmentally compatible recycling facility. Check with your local authority or retailer for recycling advice and collection point.
- The battery pack has overheat protection. Excessive temperatures will cause the battery to stop powering the product. If the battery pack is too warm, allow it to cool down before resuming operation. If the product still does not work, recharge the battery pack.

NOTE: The battery pack LED indicator will not work if the battery pack protection feature has caused the battery pack to stop powering the product. Release the on-off button or remove the battery pack from the product and the battery pack LED indicator will resume normal function.

ADDITIONAL BATTERY SAFETY WARNINGS

⚠ WARNING! Do not splash water to the product. It may damage the battery pack.

To reduce the risk of fire, personal injury, and product damage due to a short circuit, never immerse your tool, battery pack or charger in fluid or allow fluid to flow inside them. Corrosive or conductive fluids, such as seawater, certain industrial chemicals, and bleach, or bleach-containing products, etc., can cause a short circuit.

TRANSPORTATION AND STORAGE

- Stop the product, remove the battery pack, and allow the product to cool down. Disconnect the product from the water supply before storing or transporting.
- Remove water from all hoses and the pump, and empty the detergent tank before storing the product.
- Neatly coil the siphon hose, and store it with the power washer.
- Clean all foreign materials from the product. Store it in a cool, frost-free, dry, and well-ventilated place that is inaccessible to children. Do not store the product near the furnace or other sources of heat that could dry out the pump seals. Keep the product away from corrosive agents, such as garden chemicals and de-icing salts. Do not store the product outdoors.
- For transportation in a vehicle, secure the product against movement or falling to prevent injury to persons or damage to the product.

⚠ WARNING! Store the product indoors only. Storing in an area with temperature below 0° will damage the product.

TRANSPORTING LITHIUM BATTERIES

Transport the battery pack in accordance with local and national provisions and regulations.

Follow all special requirements on packaging and labelling when transporting batteries by a third party. Ensure that no batteries can come in contact with other batteries or conductive materials while in transport by protecting exposed connectors with insulating, non-conductive caps or tape. Do not transport batteries that are cracked or leaking. Check with the forwarding company for further advice.

MAINTENANCE

Use only original manufacturer's replacement parts, accessories, and attachments. Failure to do so can cause possible injury, can contribute to poor performance, and may void your warranty.

Servicing requires extreme care and knowledge and should be performed only by a qualified service technician. Have the product serviced by an authorised service centre only. When servicing, use only original replacement parts.

- Stop the product, remove the battery pack, and allow the product to cool down. Disconnect the product from the water supply:
 - before cleaning the product
 - before maintaining the product
 - before replacing spare parts
- You may make adjustments or repairs described in this manual. For other repairs, contact an authorised service centre.
- Regularly inspect and maintain the product for safe operation. Ensure that the battery compartment is properly assembled, tightly closed, and frequently check for damages. Any part that is damaged should be properly repaired or replaced by an authorised service centre.
- If the product is to be stored unused for a long period, the batteries should be removed.

KNOW YOUR PRODUCT

See page 7.

1. Release button
2. Mode control selector
3. Low mode
4. Middle mode
5. High mode
6. Latch
7. Lock-out button
8. Handle grip
9. Switch trigger
10. Battery compartment
11. 2L bottle adapter
12. Water inlet
13. Quick connector
14. Siphon hose
15. Floater
16. Filter
17. Metal wand
18. 3-in-1 nozzle
19. Operator's manual
20. Battery pack
21. Charger
22. RYOBI detergent

⚠ WARNING! Do not connect the 3-in-1 nozzle to the product using only the RAC764 pivoting adapter. Always use the included metal wand or an extension wand when using the pivoting adapter.

SAFETY DEVICES

- Lock-out button
 - The lock-out button locks the switch trigger and prevents unintentional opening of the high-pressure jet.



EurAsian Conformity Mark



Ukraine Conformity Mark

SYMBOLS ON THE PRODUCT



Warning



To reduce the risk of injury, read and understand the operator's manual before using the product.



Wear eye protection and appropriate respiratory mask.



The product is not suitable for connection to the drinking water supply without backflow preventer.



Never point the spray wand to human, animals, the body of the product, power supply, or any electrical appliances.



Do not expose the product to rain or damp condition.



Waste electrical products should not be disposed of with household waste. Please recycle where facilities exist. Check with your local authority or retailer for recycling advice.

SYMBOLS IN THIS MANUAL



Parts or accessories sold separately



Note



Warning



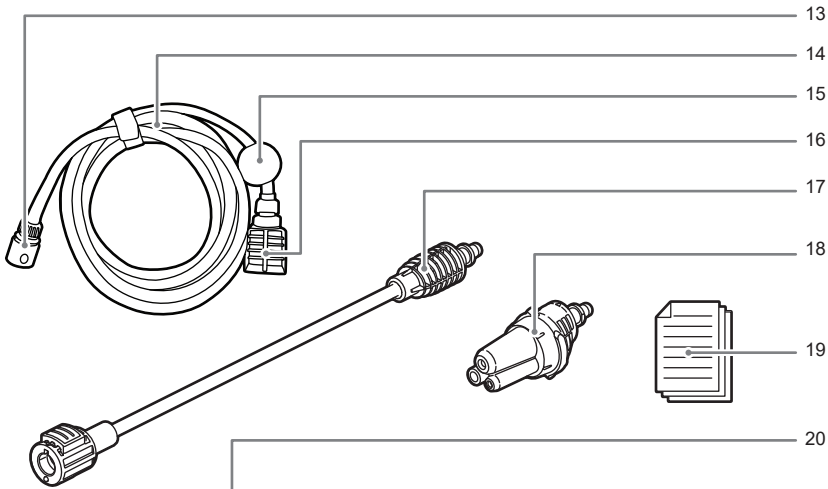
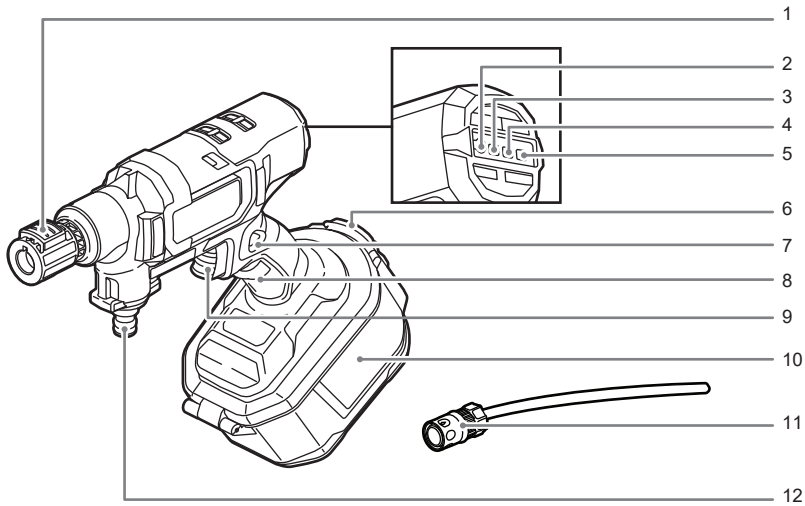
European Conformity Mark

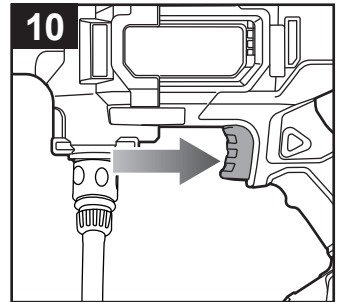
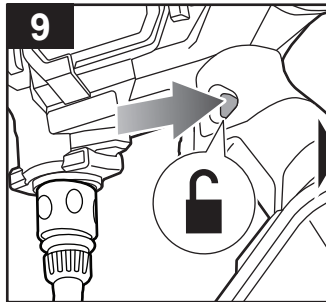
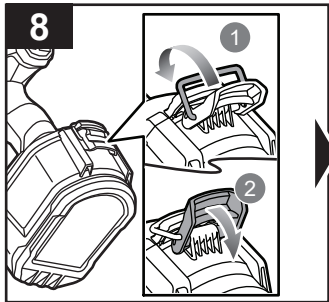
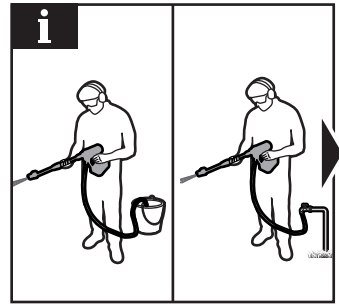
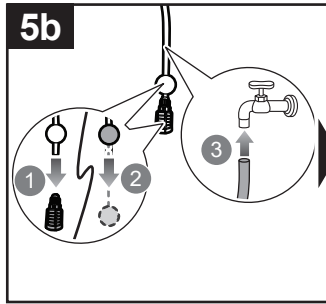
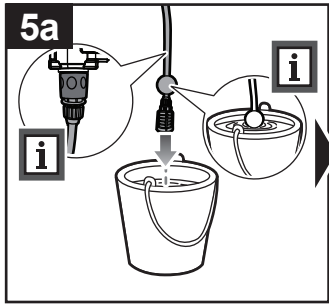
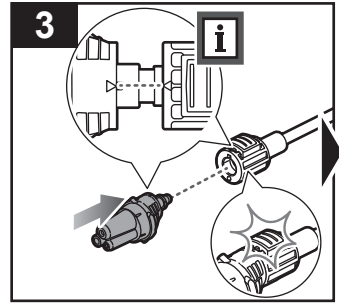
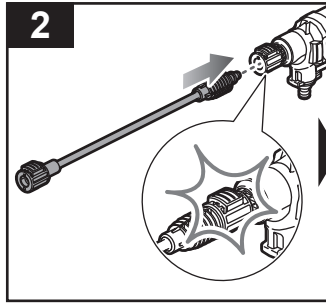
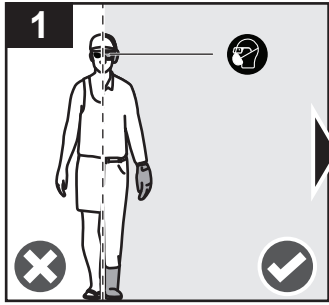


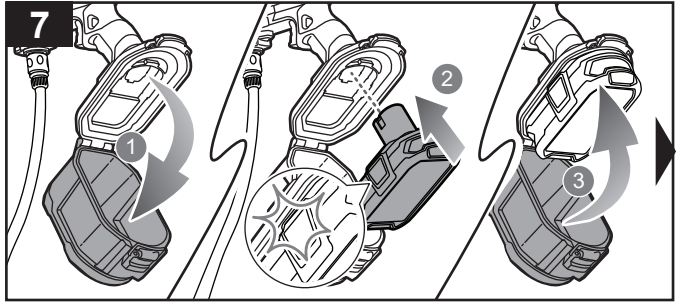
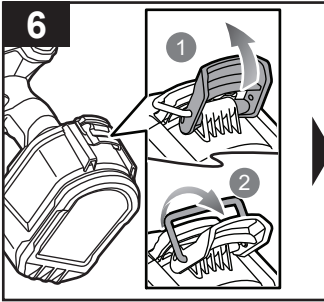
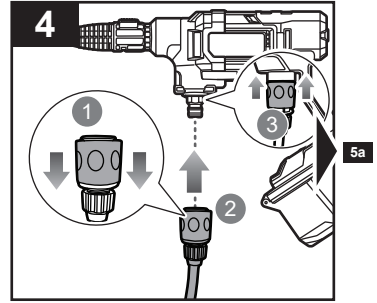
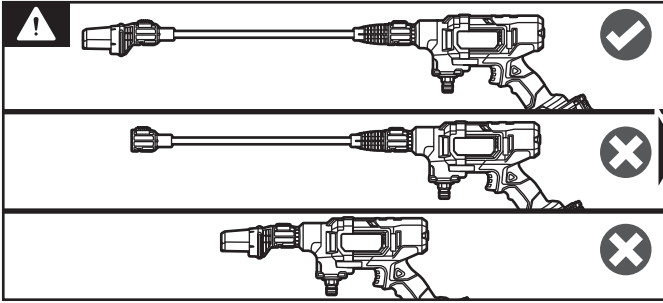
British Conformity Mark

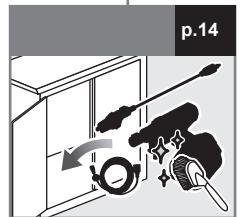
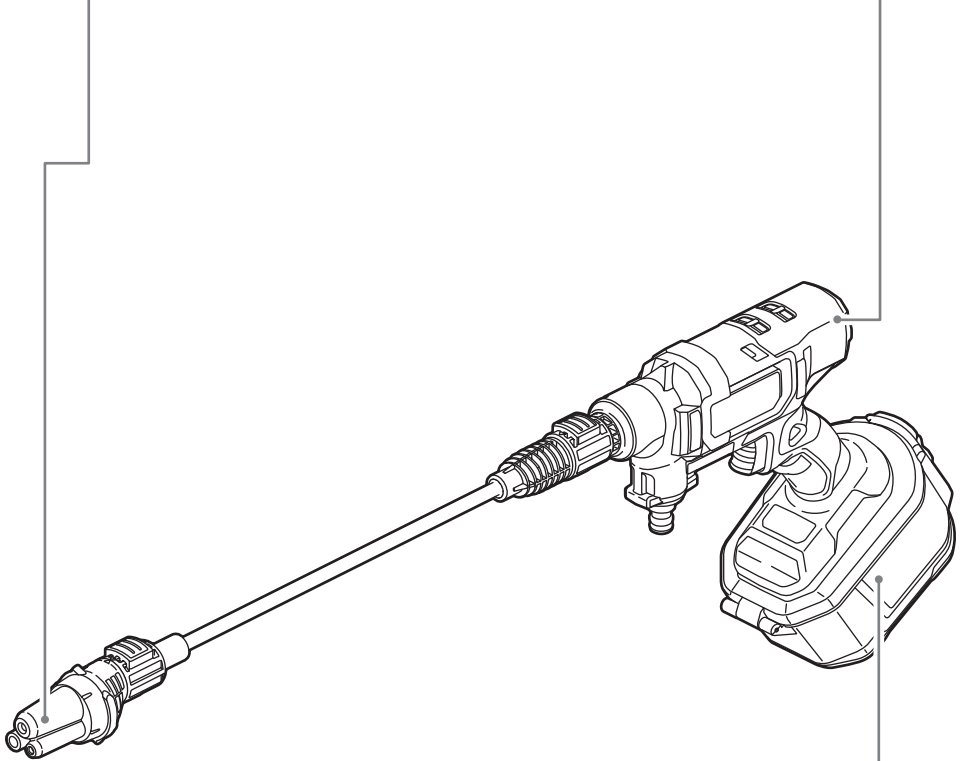
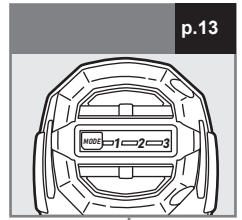
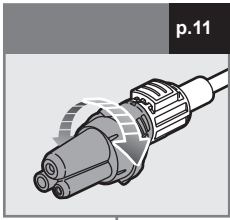


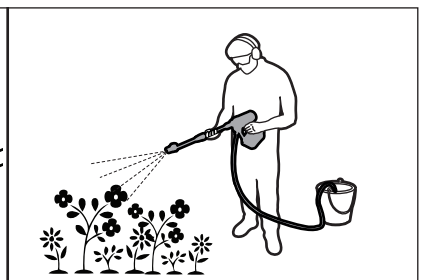
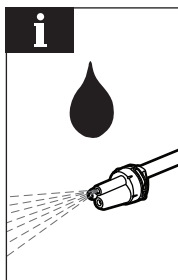
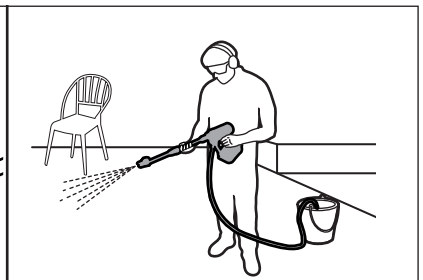
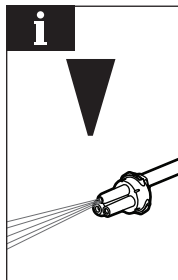
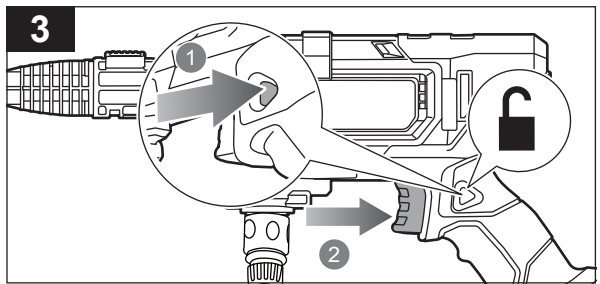
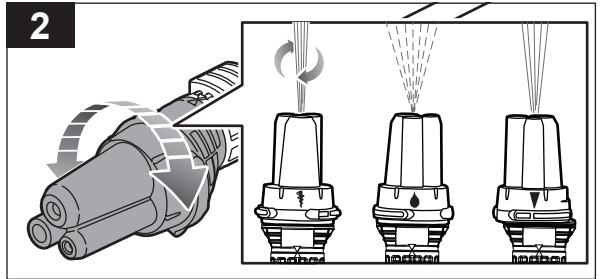
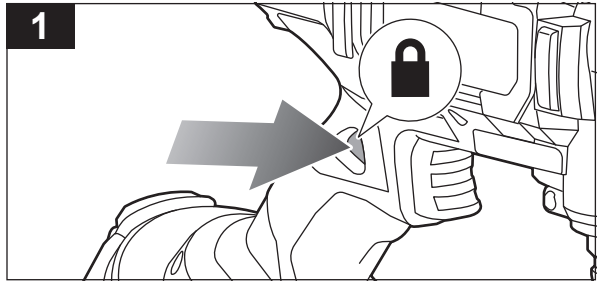
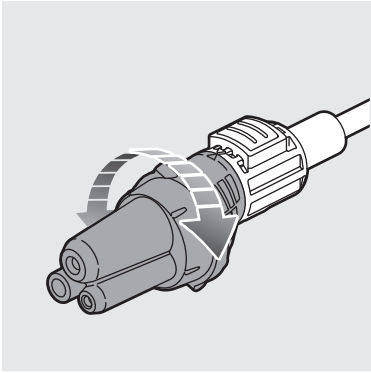
RY18PWX41A-0

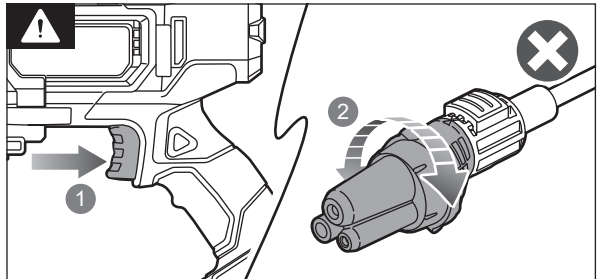
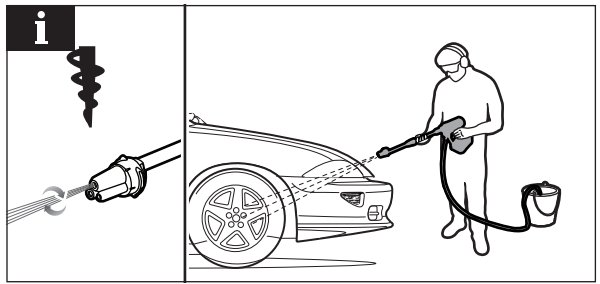


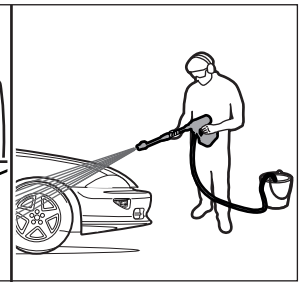
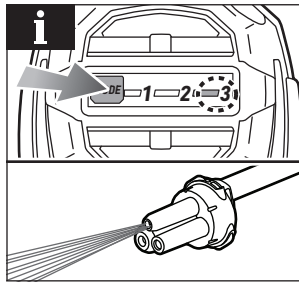
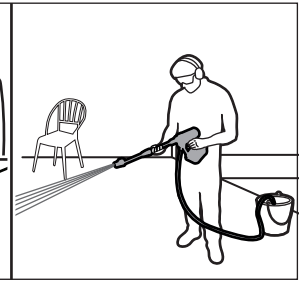
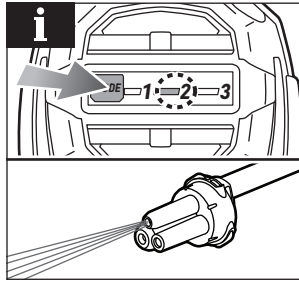
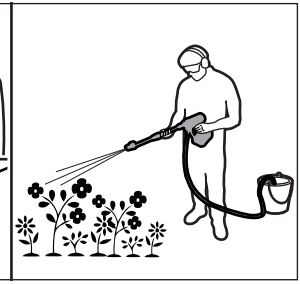
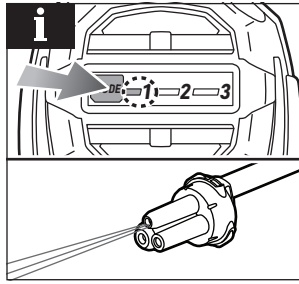
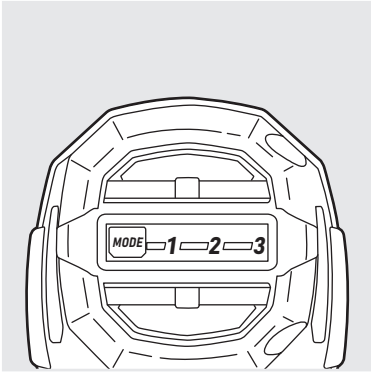


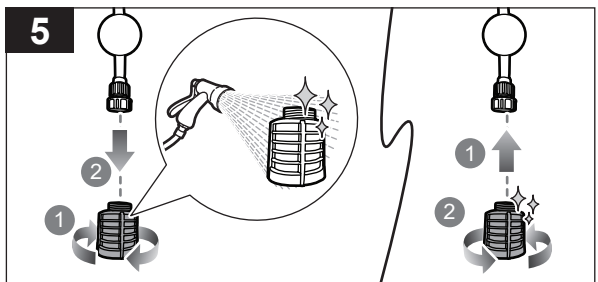
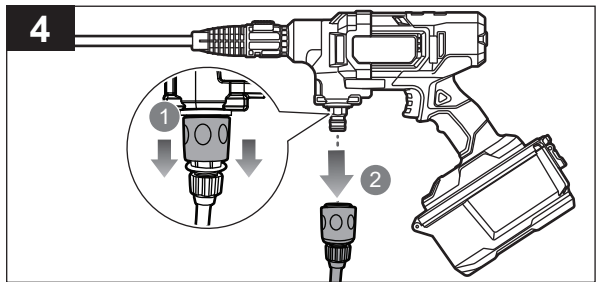
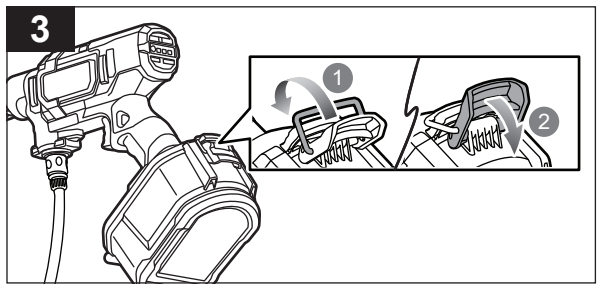
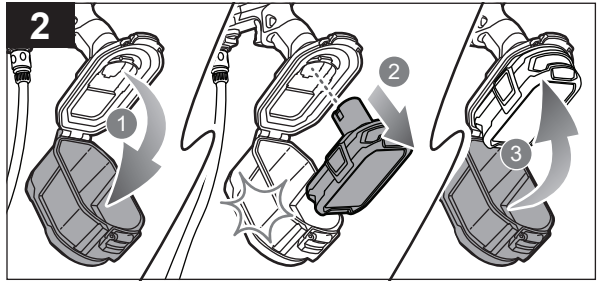
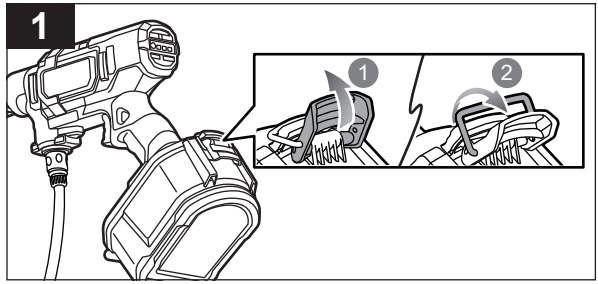
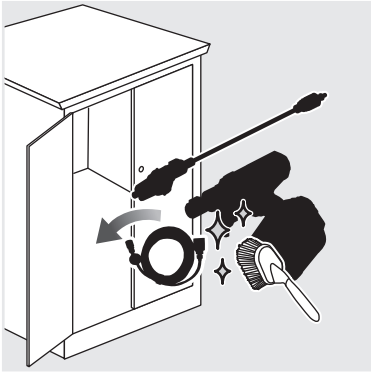


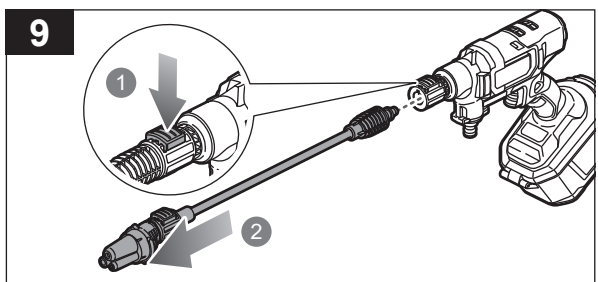
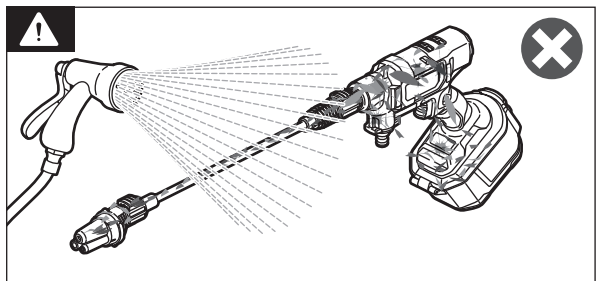
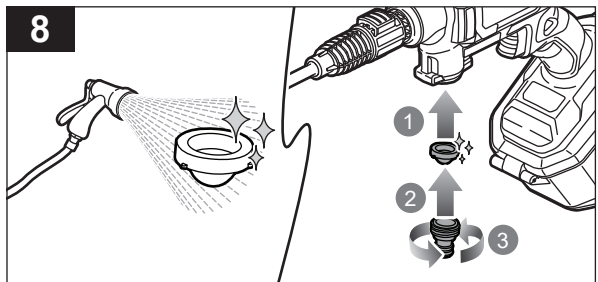
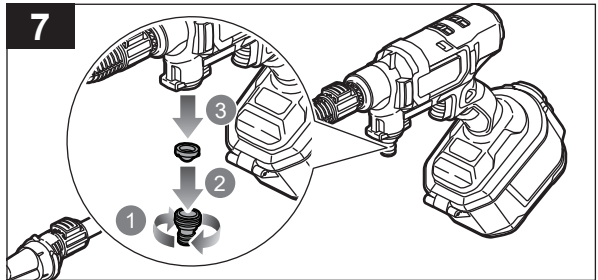
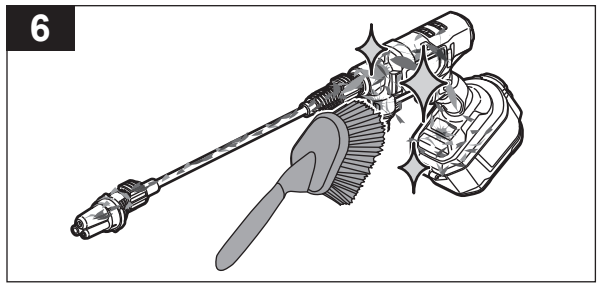


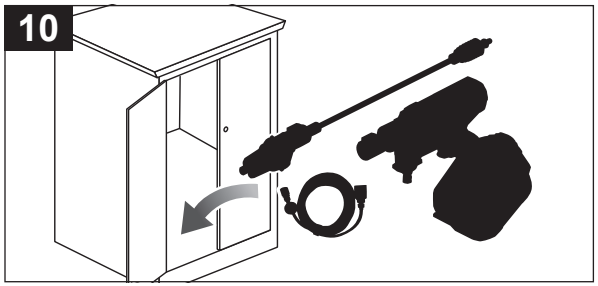












PRODUCT SPECIFICATIONS

Cordless power washer	
Model	RY18PWX41A
Rated voltage	18 V d.c.
Weight	2 kg
Maximum pressure	55 bar
Rated pressure	41 bar
Degree of protection	IPX5
Rated flow	160 L/hr
Maximum flow	270 L/hr
Maximum inlet water pressure	1.0 MPa (10 bar)
Maximum suction height	1.2 m
Sound pressure level (L_{pA}) (in accordance with EN 60335-2-79)	69 dB(A)
Uncertainty	3 dB
Sound power level (L_{WA}) (in accordance with EN 60335-2-79)	83 dB(A)
Uncertainty	3 dB
Vibration value (in accordance with EN 60335-2-79)	< 2.5 m/s ²
Uncertainty	1.5 m/s ²
Maximum suction hose length	6 m
Minimum garden hose inner diameter	8 mm

BATTERY AND CHARGER

Model	RY18PWX41A-0
Battery pack	-
Charger	-
Compatible battery packs	RB18..
Compatible chargers	BCL1418.., RC18..

ACCESSORIES

20L Water Bag	RAC717
Stone Detergent	RAC731
Foam Detergent	RAC732
Universal Detergent	RAC733
Wood Detergent	RAC734
Detergent Bottle	RAC748
Wheel Brush	RAC749
Multipurpose Brush	RAC750

2L Bottle Adapter	RAC751
Misting Kit	RAC754
Squeegee	RAC763
Pivoting adaptor	RAC764
Rinsing nozzle	RAC765
Extension pole	RAC768
Extension syphoning kit	RAC769
Quick connect kit	RAC770
3-in-1 nozzle	RAC771

⚠ WARNING! The declared vibration total values and the declared noise emission values given in this instruction manual have been measured in accordance with a standardised test and may be used to compare one tool with another. They may be used for a preliminary assessment of exposure.

The declared vibration and noise emission values represent the main applications of the tool. However, if the tool is used for different applications, used with different accessories, or poorly maintained, the vibration and noise emission may differ. These conditions may significantly increase the exposure levels over the total working period.

An estimation of the level of exposure to vibration and noise should take into account the times when the tool is turned off or when it is running idle. These conditions may significantly reduce the exposure level over the total working period.

Identify additional safety measures to protect the operator from the effects of vibration and noise, such as maintaining the tool and the accessories, keeping the hands warm (in case of vibration), and organising work patterns.

RYOBI WARRANTY APPLICATION CONDITIONS

In addition to any statutory rights resulting from the purchase, this product is covered by a warranty as stated below.

1. The warranty period is 24 months for consumers and commences on the date the product was purchased. This date has to be documented by an invoice or other proof of purchase. The product is designed and dedicated to consumer and private use only. So there is no warranty provided in case of professional or commercial use. This warranty applies only on new products.
2. There is a possibility to extend for a part of the range of power tools (AC/DC) the warranty period over the period described above using the registration on the www.ryobitools.eu website. The eligibility of products for extended warranty is clearly displayed in stores and / or on packaging and is contained within the product documentation. The end user is required to register his/her newly-acquired products online within 30 days from the date of purchase. The end user may register for the extended warranty in his/her country of residence if listed on the online registration form where this option is valid. Furthermore, end users must give their consent to the storage of their personal data that is required to be entered online. They must also accept the terms and conditions. The registration confirmation receipt, which is sent out by e-mail, and the original invoice showing the date of purchase will serve as proof of the extended warranty.
3. The warranty covers all defects of the product during the warranty period due to faults in workmanship or material at the purchase date. The warranty is limited to repair and/or replacement and does not include any other obligations including but not limited to incidental or consequential damages. The warranty is not valid if the product has been misused, used contrary to the instruction manual, or has been incorrectly connected to a power supply. This warranty does not apply to:
 - any damage to the product that is the result of improper or lack of maintenance
 - any product that has been altered or modified
 - any product where original identification (trade mark, serial number) markings have been defaced, altered or removed
 - any damage caused by non-observance of the instruction manual
 - any product not displaying the CE approval mark on the rating plate
 - any product that has been attempted to be repaired by a non-authorized warranty service centre or without prior authorisation by Techtronic Industries
 - any product connected to an improper power supply (amps, voltage, frequency)
 - any product used with inappropriate fuel mixture (fuel, oil, Ratio of oil / fuel mixture)
 - any damage caused by external influences (water, chemical, physical, shocks) or foreign substances
 - normal wear and tear spare parts
 - inappropriate use, overloading of the tool
 - use of non-approved accessories or parts
 - Accessories provided with the tool or purchased separately including but not limited to blades, saw chains, cutting lines etc.
 - Any periodic adjustments to or maintenance cleaning of carburetors
 - Components (parts and accessories) subject to natural wear and tear, including but not limited to bump knobs, drive belts, clutch, blades of hedge trimmers or lawn mowers, harness, cable throttle, carbon brushes, power cord, tines, felt washers, hitch pins, blower fans, blower and vacuum tubes, vacuum bag and straps, guide bars, saw chains, hoses, connector fittings, spray nozzles, wheels, spray wands, inner reels, outer spools, cutting lines, spark plugs, air filters, gas filters, mulching blades, etc.
4. For servicing, the product must be sent or presented to a RYOBI authorised service station listed for each country in the following list of service station addresses. In some countries your local RYOBI dealer undertakes to send the product to the RYOBI service organisation. When sending a product to a RYOBI service station, the product should be safely packed without any dangerous contents such as petrol, marked with sender's address and accompanied by a short description of the fault.
5. A repair / replacement under this warranty is free of charge. It does not constitute an extension or a new start of the warranty period. Exchanged parts or products become our property. In some countries delivery charges or postage will have to be paid by the sender. Your statutory rights arising from the purchase of the product remain unaffected.
6. This warranty is valid in the European Community, Switzerland, Iceland, Norway, Liechtenstein, Turkey, Russia, and the United Kingdom. Outside these areas, please contact your authorised RYOBI dealer to determine if another warranty applies.

AUTHORISED SERVICE CENTRE

Any request or issue with the product can be addressed to your local authorised service centres (visit www.ryobitools.eu) or directly to: Techtronic Industries GmbH, Max Eyth Straße 10, 71364 Winnenden, Germany. Please state the serial number and product type printed on the label.

EC DECLARATION OF CONFORMITY

Manufacturer: Techtronic Industries GmbH
Max-Eyth-Straße 10, 71364 Winnenden, Germany

We declare as the manufacturer under our sole responsibility that the product mentioned below

Cordless power washer
Brand: RYOBI
Model number: RY18PWX41A
Serial number range: 47590201000001 - 47590201999999

fulfills all the relevant provisions of the following European Directives, European Regulations and harmonized standards:

2006/42/EC, 2014/30/EU, 2011/65/EU, EN 55014-1:2017+A11,
EN 55014-2:2015, EN 60335-1:2012+A1+A2+A11+A13+A14,
EN 60335-2-79:2012, EN 62233:2008, EN IEC 63000:2018



Sven Eschrich

VP of Engineering - TTI Outdoor Power Division
Winnenden, Feb. 2, 2021

Authorised to compile the technical file:
Alexander Krug, Managing Director
Techtronic Industries GmbH
Max-Eyth-Straße 10, 71364 Winnenden, Germany

GB-DECLARATION OF CONFORMITY

Manufacturer: Techtronic Industries GmbH
Max-Eyth-Straße 10, 71364 Winnenden, Germany

We declare as the manufacturer under our sole responsibility that the product mentioned below

Cordless power washer
Brand: RYOBI
Model number: RY18PWX41A
Serial number range: 47590201000001 - 47590201999999

fulfills all the relevant provisions of the following Regulations: S.I. 2008/1597 (as amended), S.I. 2016/1091 (as amended), S.I. 2012/3032 (as amended), and that the following designated standards have been used:

BS EN 55014-1:2017+A11, BS EN 55014-2:2015,
BS EN 60335-1:2012+A1+A2+A11+A13+A14,
BS EN 60335-2-79:2012, BS EN 62233:2008,
BS EN IEC 63000:2018



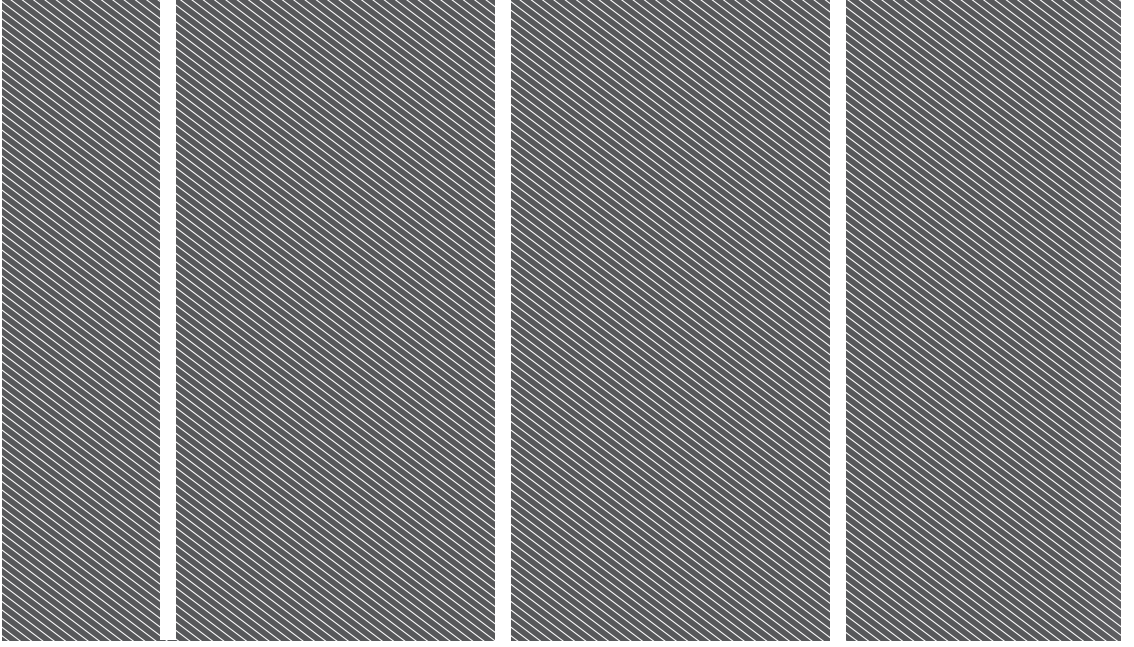
Sven Eschrich

VP of Engineering - TTI Outdoor Power Division
Winnenden, Feb. 2, 2021

Authorised to compile the technical file:
Techtronic Industries (UK) Ltd
Fieldhouse Lane
Marlow Bucks SL7 1HZ
UK

*RYOBI is a trade mark of Ryobi Limited,
and is used under license.*





Techtronic Industries GmbH
Max-Eyth-Straße 10,
71364 Winnenden, Germany

Techtronic Industries (UK) Ltd
Fieldhouse Lane
Marlow Bucks SL7 1HZ
UK

961479062-01

