



ORIGINAL INSTRUCTIONS
**Cordless Hedge
Trimmer**

OHT1850X

RHT1850XLi



Important!

It is essential that you read the instructions in this manual before operating this machine.

Subject to technical modifications.



⚠ WARNING

This appliance is not intended for use by persons (including children) with reduced physical, sensory or mental capabilities, or lack of experience and knowledge, unless they have been given supervision or instruction concerning use of the appliance by a person responsible for their safety. Children should be supervised to ensure that they do not play with the appliance.

GENERAL POWER TOOL SAFETY WARNINGS

⚠ WARNING

Read all safety warnings and all instructions. Failure to follow the warnings and instructions may result in electric shock, fire and/or serious injury.

Save all warnings and instructions for future reference.

The term "power tool" in the warnings refers to your mains-operated (corded) power tool or battery-operated (cordless) power tool.

WORK AREA SAFETY

- **Keep work area clean and well lit.** Cluttered or dark areas invite accidents.
- **Do not operate power tools in explosive atmospheres, such as in the presence of flammable liquids, gases or dust.** Power tools create sparks which may ignite the dust or fumes.
- **Keep children and bystanders away while operating a power tool.** Distractions can cause you to lose control.

ELECTRICAL SAFETY

- **Power tool plugs must match the outlet. Never modify the plug in any way. Do not use any adapter plugs with earthed (grounded) power tools.** Unmodified plugs and matching outlets will reduce risk of electric shock.
- **Avoid body contact with earthed or grounded surfaces, such as pipes, radiators, ranges and refrigerators.** There is an increased risk of electric shock if your body is earthed or grounded.
- **Do not expose power tools to rain or wet conditions.** Water entering a power tool will increase the risk of electric shock.
- **Do not abuse the cord. Never use the cord for carrying, pulling or unplugging the power tool. Keep cord away from heat, oil, sharp edges or moving parts.** Damaged or entangled cords increase the risk of electric shock.
- **When operating a power tool outdoors, use an extension cord suitable for outdoor use.** Use of a cord suitable for outdoor use reduces the risk of electric shock.

- **If operating a power tool in a damp location is unavoidable, use a residual current device (RCD) protected supply.** Use of an RCD reduces the risk of electric shock.

PERSONAL SAFETY

- **Stay alert, watch what you are doing and use common sense when operating a power tool. Do not use a power tool while you are tired or under the influence of drugs, alcohol or medication.** A moment of inattention while operating power tools may result in serious personal injury.
- **Use personal protective equipment. Always wear eye protection.** Protective equipment such as dust mask, non-skid safety shoes, hard hat, or hearing protection used for appropriate conditions will reduce personal injuries.
- **Prevent unintentional starting. Ensure the switch is in the off-position before connecting to power source and/or battery pack, picking up or carrying the tool.** Carrying power tools with your finger on the switch or energising power tools that have the switch on invites accidents.
- **Remove any adjusting key or wrench before turning the power tool on.** A wrench or a key left attached to a rotating part of the power tool may result in personal injury.
- **Do not overreach. Keep proper footing and balance at all times.** This enables better control of the power tool in unexpected situations.
- **Dress properly. Do not wear loose clothing or jewellery. Keep your hair, clothing and gloves away from moving parts.** Loose clothes, jewellery or long hair can be caught in moving parts.
- **If devices are provided for the connection of dust extraction and collection facilities, ensure these are connected and properly used.** Use of dust collection can reduce dust-related hazards.

POWER TOOL USE AND CARE

- **Do not force the power tool. Use the correct power tool for your application.** The correct power tool will do the job better and safer at the rate for which it was designed.
- **Do not use the power tool if the switch does not turn it on and off.** Any power tool that cannot be controlled with the switch is dangerous and must be repaired.
- **Disconnect the plug from the power source and/or the battery pack from the power tool before making any adjustments, changing accessories, or storing power tools.** Such preventive safety measures reduce the risk of starting the power tool accidentally.
- **Store idle power tools out of the reach of children and do not allow persons unfamiliar with the power tool or these instructions to operate the power tool.** Power tools are dangerous in the hands of untrained users.



- **Maintain power tools. Check for misalignment or binding of moving parts, breakage of parts and any other condition that may affect the power tool's operation. If damaged, have the power tool repaired before use.** Many accidents are caused by poorly maintained power tools.
- **Keep cutting tools sharp and clean.** Properly maintained cutting tools with sharp cutting edges are less likely to bind and are easier to control.
- **Use the power tool, accessories and tool bits etc. in accordance with these instructions, taking into account the working conditions and the work to be performed.** Use of the power tool for operations different from those intended could result in a hazardous situation.

BATTERY TOOL USE AND CARE

- **Recharge only with the charger specified by the manufacturer.** A charger that is suitable for one type of battery pack may create a risk of fire when used with another battery pack.
- **Use power tools only with specifically designated battery packs.** Use of any other battery packs may create a risk of injury and fire.
- **When battery pack is not in use, keep it away from other metal objects like paper clips, coins, keys, nails, screws, or other small metal objects that can make a connection from one terminal to another.** Shorting the battery terminals together may cause burns or fire.
- **Under abusive conditions, liquid may be ejected from the battery; avoid contact.** If contact accidentally occurs, flush with plenty of soap and water. If liquid contacts eyes, immediately seek medical help. Liquid ejected from the battery may cause irritation or burns.

SERVICE

- **Have your power tool serviced by a qualified repair person using only identical replacement parts.** This will ensure that the safety of the power tool is maintained.

SPECIFIC SAFETY RULES

- **Keep all parts of the body away from the cutter blade. Do not remove cut material or hold material to be cut when blades are moving. Make sure the switch is off when clearing jammed material.** A moment of inattention while operating the hedge trimmer may result in serious personal injury.
- **Carry the hedge trimmer by the handle with the cutter blade stopped. When transporting or storing the hedge trimmer, always fit the cutting device cover.** Proper handling of the hedge trimmer will reduce possible personal injury from the cutter blades.
- **Hold the power tool by insulated gripping surfaces only, because the cutter blade may contact hidden wiring or its own cord. Cutter blades contacting a "live" wire may**

make exposed metal parts of the power tool "live" and could give the operator an electric shock.

INTENDED USE

- This product is designed for home or domestic use. It is intended to cut and trim hedges, shrubs and similar vegetation.
- It should be used in dry, well illuminated conditions.
- It is NOT intended to cut grass, trees or branches. It should not be used for any other purpose than hedge trimming.

ADDITIONAL SAFETY RULES

PREPARATION

- **Clear the area to be cut before each use.** Remove all objects such as cords, lights, wire, or string which can become entangled in the cutting blade.
- **Clear the area of children, bystanders and pets.** At a minimum, keep all children, bystanders and pets outside a 15m radius; there still may be a risk to bystanders from thrown objects. If you are approached, stop the unit immediately.
- **Do not operate in poor lighting.** Use the unit only in daylight or good artificial light.
- **Inspect the unit before use.** Replace any damaged parts. Check for battery pack leaks.
- **Make sure all fasteners and guards are in place and secure.** Replace cutting blades or any other parts that are cracked, chipped, or damaged. Make sure the cutting blade is properly installed and securely fastened. Failure to do so can result in personal injury to the operator and bystanders, as well as damage to the unit.
- **Never attempt to use an incomplete machine or one fitted with an unauthorised modification.** If any parts are missing, do not operate unit until the missing parts are replaced.

OPERATION

- **Do not use trimmer without front handle in place.** Keep both hands on handles when unit is in use.
- **Before starting the unit, make sure the cutting blades will not come in contact with anything.**
- **Keep unit clean of hedge clippings and other materials.** They may become lodged in the cutting blades.
- If the machine strikes or becomes entangled with foreign objects, stop the unit immediately, remove the battery pack and check for damage. Do not operate the unit with loose or damaged parts.
- **Always be aware of your surroundings and stay alert for possible hazards that you may not hear due to the noise of the machine.**
- The vibration level during actual use of the power tool



can differ from the declared total value depending on the ways in which the tool is used. Identify safety measures to protect yourself based on an estimation of exposure in the actual conditions of use, taking account of all parts of the operating cycle such as the times when the tool is switched off and when it is running idle in addition to the trigger time.

- It has been reported that vibrations from hand-held tools may contribute to a condition called Raynaud's Syndrome in certain individuals. Symptoms may include tingling, numbness and blanching of the fingers, usually apparent upon exposure to cold. Hereditary factors, exposure to cold and dampness, diet, smoking and work practices are all thought to contribute to the development of these symptoms. It is presently unknown what, if any, vibrations or extent of exposure may contribute to the condition. There are measures that can be taken by the operator to possibly reduce the effects of vibration:
 - a. Keep your body warm in cold weather. When operating the unit wear gloves to keep the hands and wrists warm. It is reported that cold weather is a major factor contributing to Raynaud's Syndrome.
 - b. After each period of operation, exercise to increase blood circulation.
 - c. Take frequent work breaks. Limit the amount of exposure per day.

If you experience any of the symptoms of this condition, immediately discontinue use and see your physician about these symptoms.

MAINTENANCE

- **When servicing, use only identical replacement parts.** Use of any other parts may create a hazard or cause product damage.
- **Avoid using solvents when cleaning plastic parts.** Most plastics are susceptible to damage from various types of commercial solvents and may be damaged by their use. Use clean cloths to remove dirt, dust, oil, grease, etc.
- **Store the unit in a dry place, either locked up or up high to prevent unauthorised use or damage.** Keep out of the reach of children or untrained individuals.

ENVIRONMENTAL PROTECTION



Recycle raw materials instead of disposing of as waste. The machine, accessories and packaging should be sorted for environmental-friendly recycling.

SYMBOL



Precautions that involve your safety.



Read the operation manual and follow all warnings and safety instructions.



Wear eye and hearing protection.



Thrown objects can ricochet and result in personal injury or property damage. Wear protective clothing and boots.



Wear non-slip, heavy duty gloves.



Keep all bystanders at least 15m away.



Do not expose to rain or damp conditions.



Waste electrical products should not be disposed of with household waste. Please recycle where facilities exist. Check with your Local Authority or retailer for recycling advice.

ICONS IN THIS MANUAL



Safety



Unpacking



Getting started



Overview



Operation



Maintenance



Go to page #



Safety



Information



Safety alert



Connect battery



Disconnect battery



Lubricating oil



Lock



Unlock




Wear safety gloves



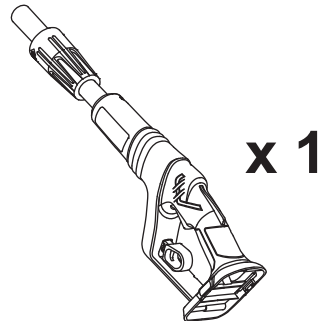
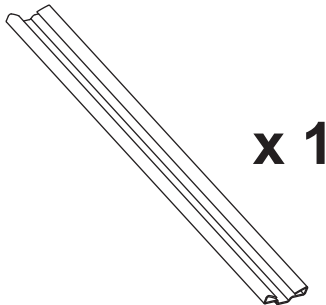
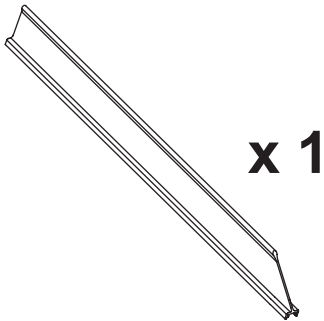
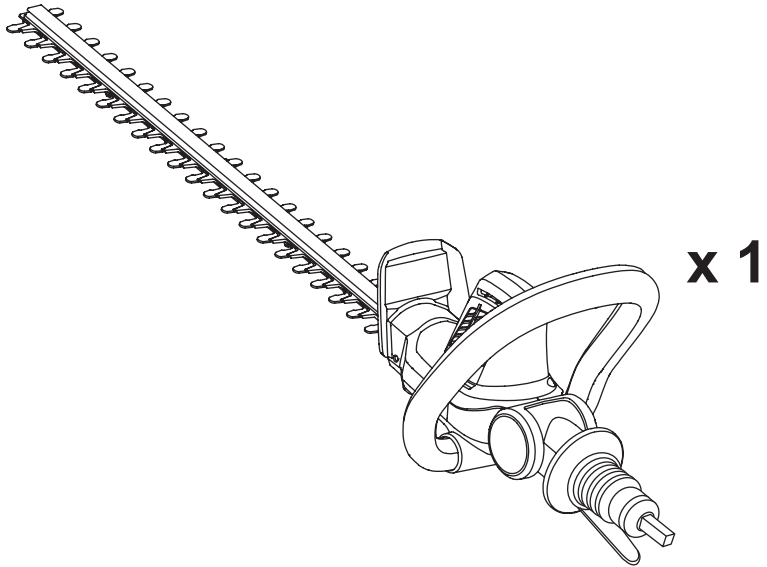
Do not touch moving blade



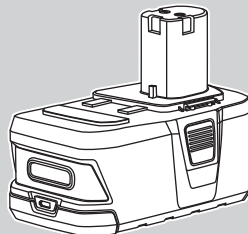
Parts or accessories sold separately



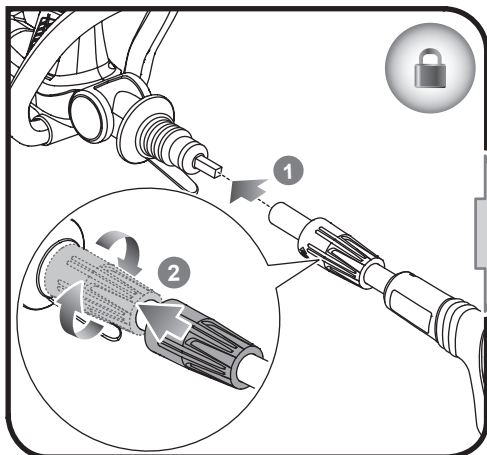
Unpacking



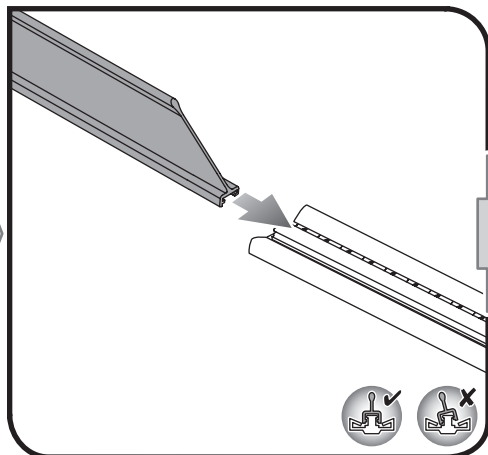
RYOBI **ONE+**
18v System



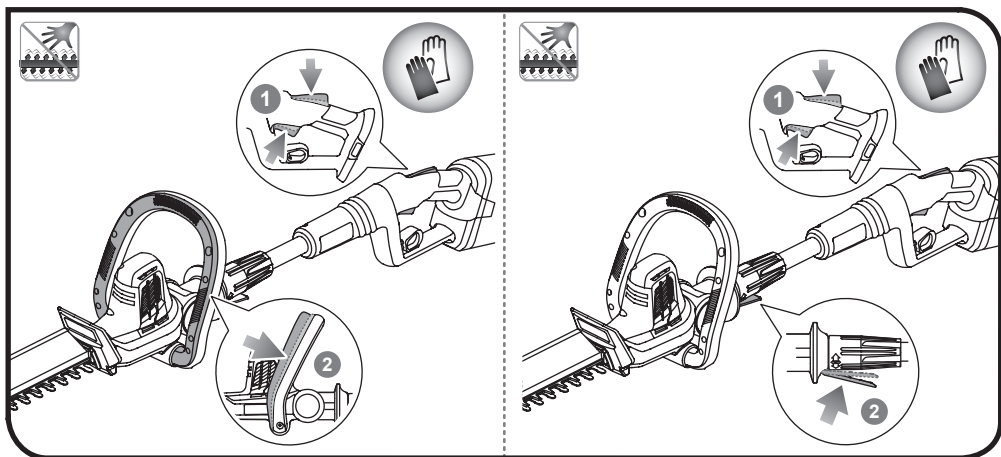
1



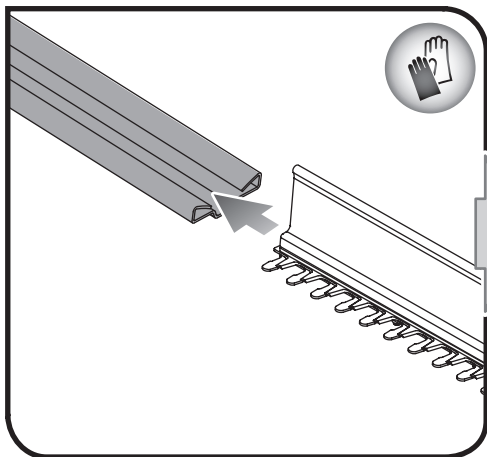
2



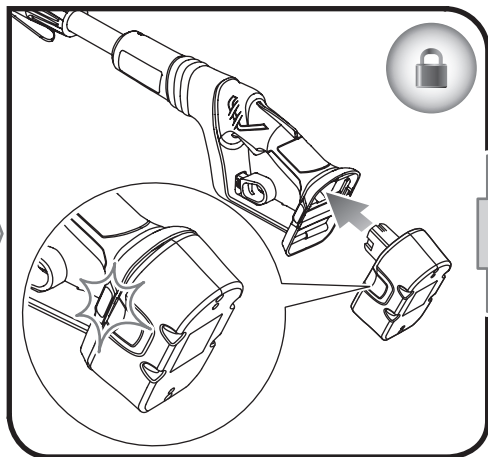
5



3

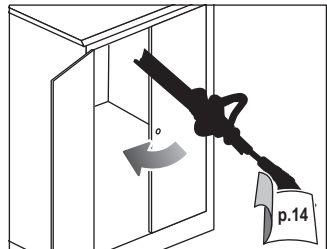
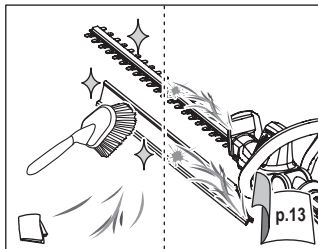
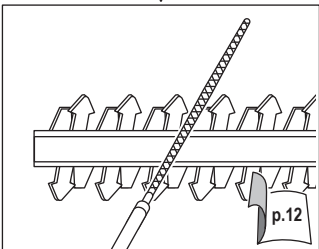
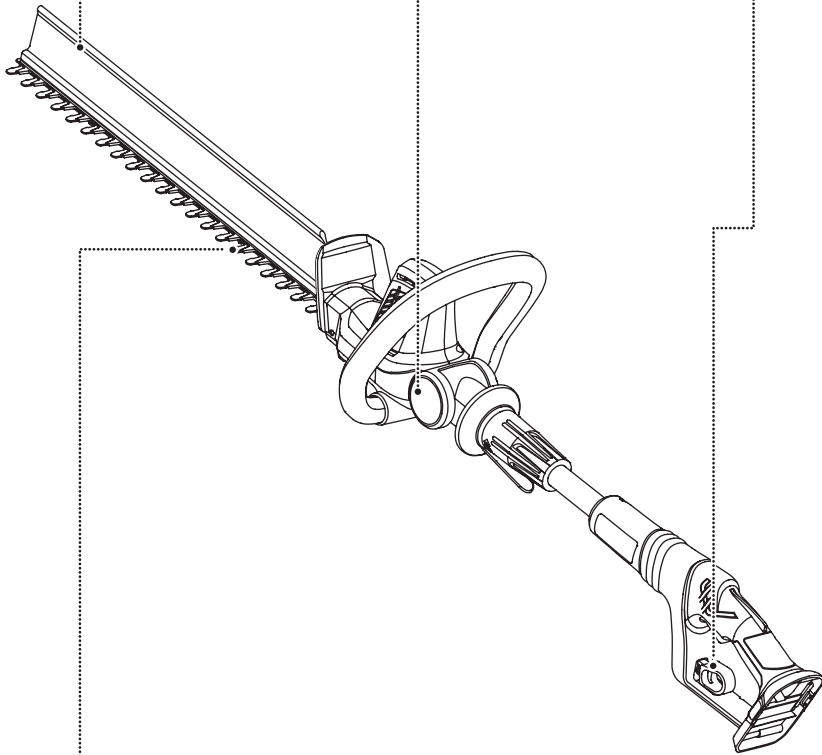
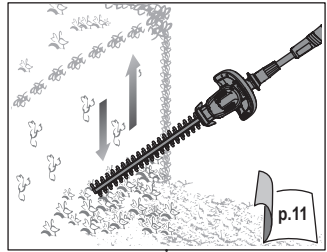
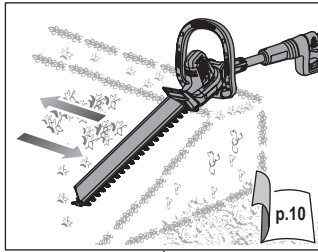
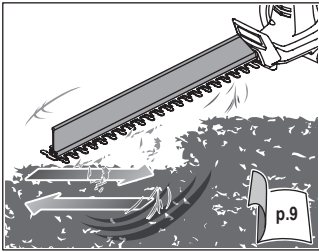


4



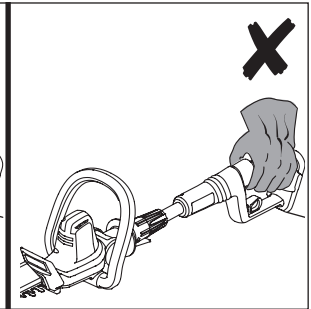
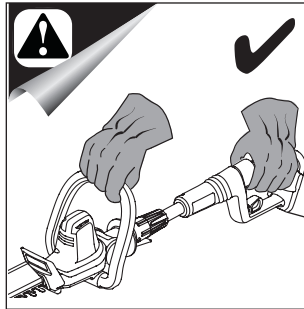
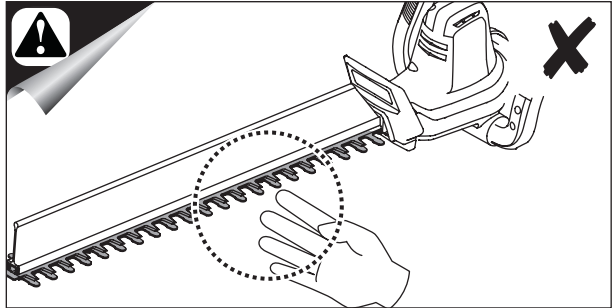
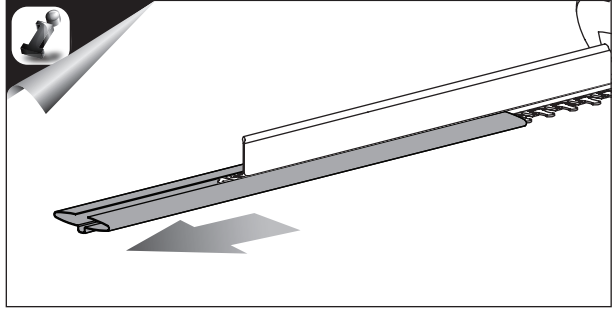


Overview



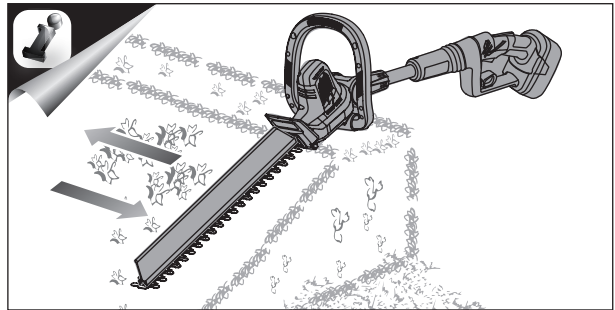
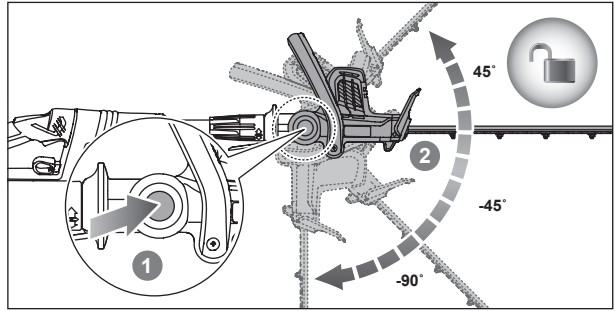
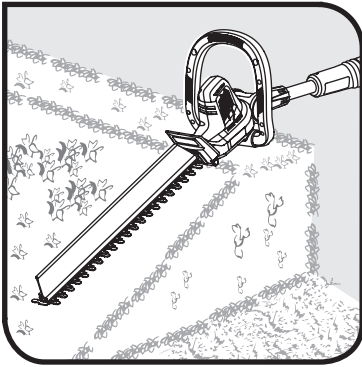


Operation



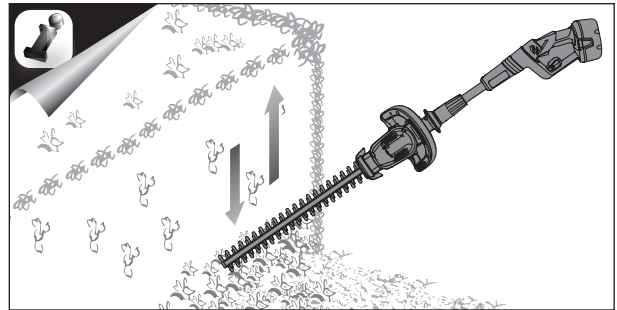
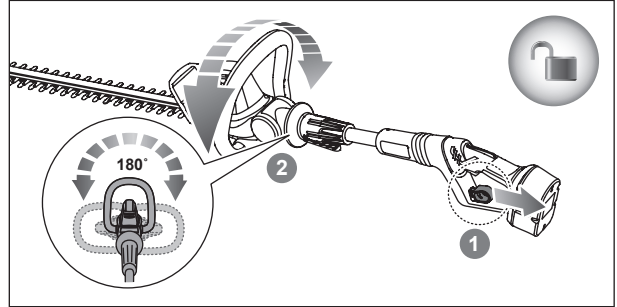
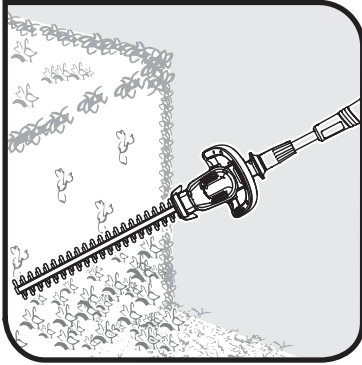


Operation



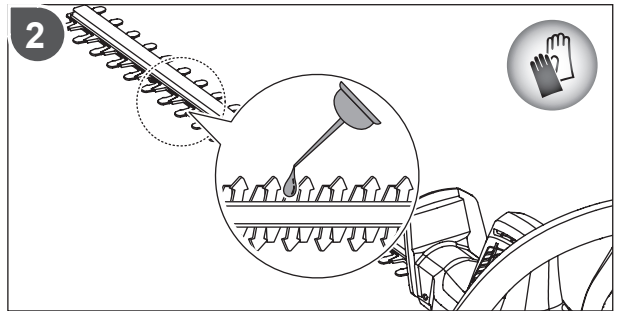
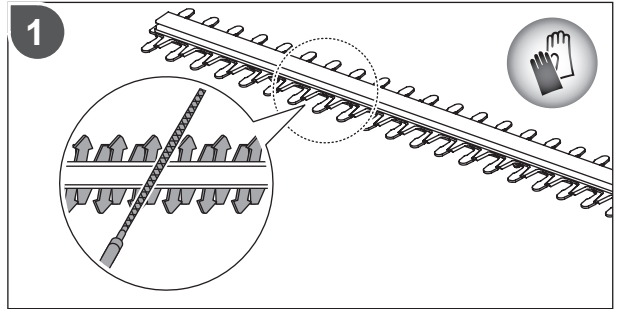
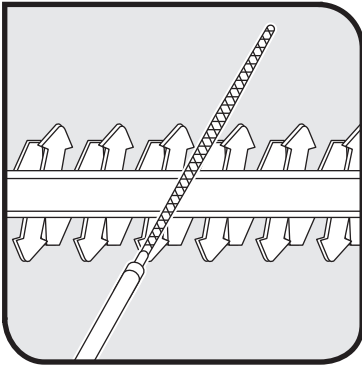


Operation



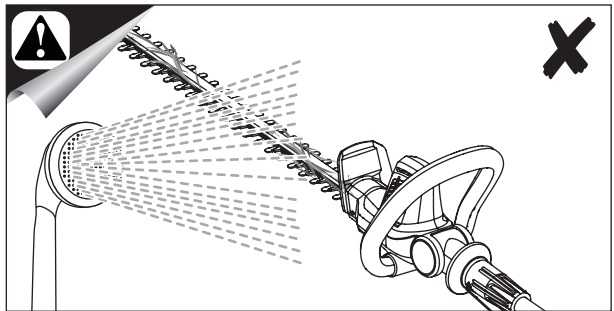
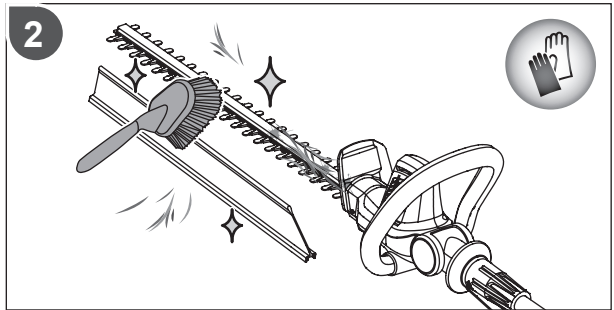
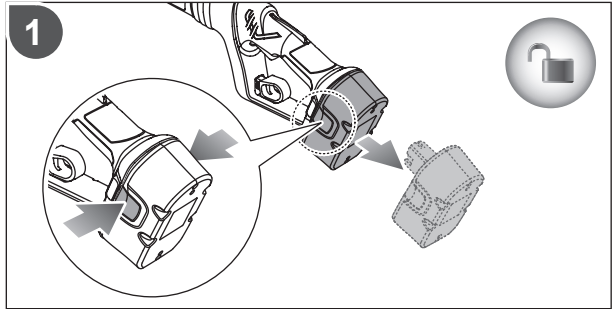
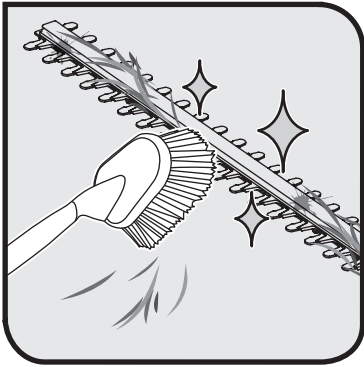


Maintenance



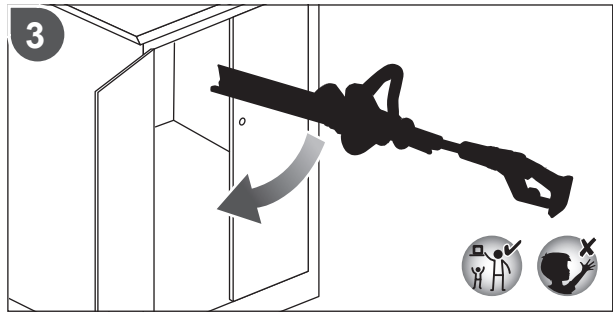
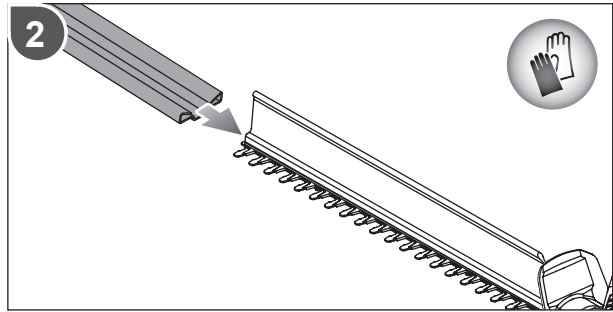
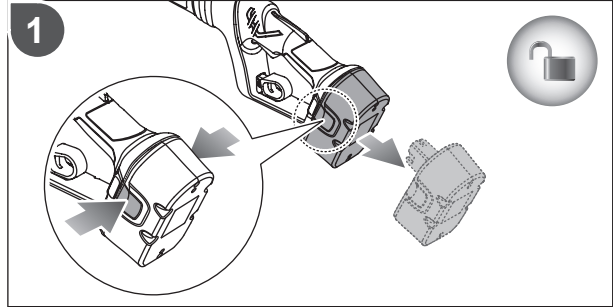


Maintenance





Maintenance



PRODUCT SPECIFICATIONS

Model	OHT1850X	RHT1850XLi
Voltage	18V	
No-load speed	1200 min ⁻¹	
Blade Speed	2400 SPM	
Blade Length	500 mm	
Cutting Capacity	16 mm	
A-weighted sound pressure level	Lpa: 77.0 dB(A), K=3dB(A)	
A-weighted sound power level	Lwa: 85.6dB(A), K=0.68dB(A)	
Vibration		
- Front handle	≤2.5 m/s ² , K = 1.5 m/s ²	
- Rear handle	≤2.5 m/s ² , K = 1.5 m/s ²	
Weight (without battery pack)	3.2 kg	

BATTERY AND CHARGER

Model	OHT1850X	RHT1850XLi
Battery Pack	Not included	BPL-1815
Weight	Not included	0.48 kg
Charger	Not included	BCL14183H
Weight	Not included	0.78 kg
Compatible Battery Packs	BPL-1815 / BPL-1820	
Compatible Charger	BCL1418 / BCL14181H / BCL14183H	



LIMITED WARRANTY

TTI warrants this outdoor product to be free of defects in material or workmanship for 24 months from the date of purchase by the original purchaser, subject to the limitations below. Please keep your invoice as proof of date of purchase.

This warranty is only applicable where the product is used for personal and non-commercial purposes. This warranty does not cover damage or liability caused by / due to misuse, abuse, accidental or intentional acts by user, improper handling, unreasonable use, negligence, failure by end user to follow operating procedures outlined in the user's manual, attempted repair by non-qualified professional, unauthorized repair, modification, or use of accessories and/or attachments not specifically recommended by authorized party.

This warranty does not cover belts, brushes, bags, bulbs or any part which ordinary wear and tear results in required replacement during warranty period. Unless specifically provided under applicable law, this warranty does not cover transportation cost or consumable items such as fuses.

This limited warranty is void if the product's original identification (trade mark, serial number) markings have been defaced, altered or removed or if product is not purchased from an authorized reseller or if product is sold AS IS and / or WITH ALL FAULTS.

Subject to all applicable local regulations, the provisions of this limited warranty are in lieu of any other written warranty, whether express or implied, written or oral, including any warranty of MERCHANTABILITY OR FITNESS FOR A PARTICULAR PURPOSE. IN NO EVENT SHALL WE BE LIABLE FOR SPECIAL, INCIDENTAL, CONSEQUENTIAL OR INCIDENTAL DAMAGES. OUR MAXIMUM LIABILITY SHALL NOT EXCEED THE ACTUAL PURCHASE PRICE PAID BY YOU FOR THE PRODUCT.

This warranty is valid only in the European Union, Australia and New Zealand. Outside these areas, please contact your authorized Ryobi dealer to determine if another warranty applies.

AUTHORISED SERVICE CENTRE

To find an authorised service centre near you, visit ryobitools.eu.



DECLARATION OF CONFORMITY

We declare under our sole responsibility that this product is in conformity with the following standards or standardised documents.

2006/42/EC, 2004/108/EC, 2002/96/EC, 2002/95/EC, EN 55014-1:2006+A1; EN 55014-2:1997+A1+A2; EN 60745-1:2009+A11; EN 60745-2-15:2009+A1

Measured sound power level 86 dB(A)

Guaranteed sound power level 89 dB(A)

Conformity assessment method to Annex V Directive 2000/14/EC

Serial number: See product rating label

Year of construction: See product rating label

Machine: **CORDLESS HEDGE TRIMMER**

Type: **OHT1850X/RHT1850XLi**

CE November 2011



Techtronic Industries

Techtronic Product Development Ltd.
24/F, CDW Building, 388 Castle Peak Road, Tsuen Wan, Hong Kong

A handwritten signature in black ink, appearing to read 'A. Eyre', is written over a light grey horizontal line.

Andrew John Eyre (BEng, CEng, MIET)
Vice President of Engineering
Nov 24, 2011

Authorised to compile the technical file:

Simon Del-Nevo
Director of Outdoor Power Equipment
Techtronic Industries (UK) Ltd.
Medina House, Fieldhouse Lane, Marlow, Bucks, SL7 1TB, United Kingdom



RYOBI®

