

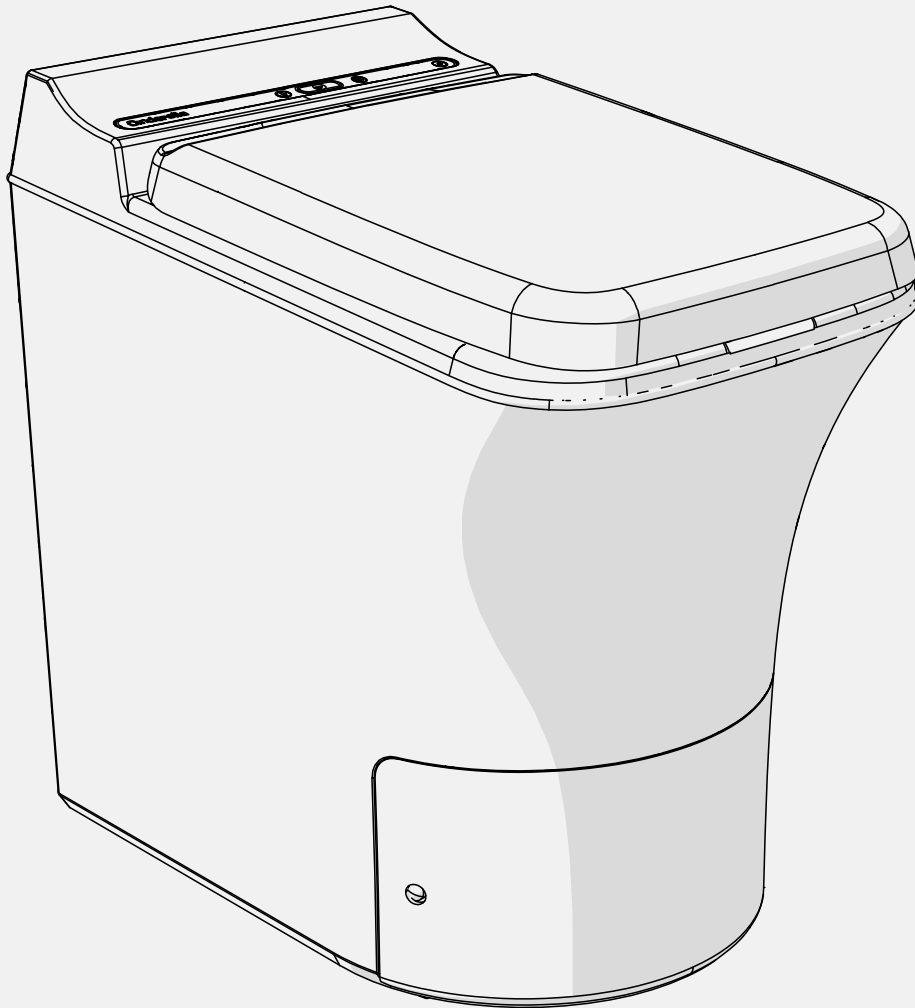


Cinderella[®]
Incineration Toilets

CINDERELLA FREEDOM

MODEL PM02CS03

Product manual



CONTENTS

1. GENERAL SECTION	3
1.1 INTRODUCTION	3
1.2 APPLICATION ACCORDING TO REGULATIONS	3
1.3 OPERATING INSTRUCTIONS GUIDE	3
1.4 LIMITATION OF LIABILITY	3
1.5 LISTINGS AND CERTIFICATIONS	3
1.6 ENVIRONMENTAL REQUIREMENTS	3
1.7 GENERAL SAFETY INSTRUCTIONS	4
1.8 APPLIANCE RATING PLATE	5
1.9 CINDERELLA ONLINE	5
2. INSTALLATION SECTION	6
2.1 UNPACKING YOUR CINDERELLA INCINERATION TOILET	6
2.2 MEASUREMENT SPECIFICATIONS	6
2.3 ORIGINAL INSTALLATION PACKAGES FOR YOUR CINDERELLA TOILET	7
2.4 INSTALLATION SPECIFICATIONS	8
2.4.1 SPECIFICATIONS OF PARTS AND MATERIALS	8
2.5 INSTALLING THE CINDERELLA INCINERATION TOILET	8
2.5.1 INSTALLING THE OUTLET PIPES	9
2.5.2 INLET AIR TERMINAL	10
2.5.3 INSTALLING THE ORIGINAL CINDERELLA FLUE TERMINAL CAP	11
2.5.4 GAS INSTALLATION	11
2.6 ELECTRICAL SPECIFICATIONS AND REQUIREMENTS	12
2.7 REMOVING THE TRANSPORTATION SAFETY STRAP	12
2.8 CHECKLIST TO VERIFY COMPLETE INSTALLATION	13
2.9 PERFORMANCE TEST TO VERIFY SYSTEM FUNCTIONALITY	13
3. USER SECTION	14
3.1 INTENDED USE AND HANDLING	14
3.2 GENERAL SAFETY	14
3.3 SAFETY WHEN OPERATING WITH GAS	14
3.4 SAFE OPERATIONS	14
3.5 CINDERELLA FREEDOM SAFETY FEATURES	14
3.6 IMPORTANT USER INFORMATION	15
3.7 THE CONTROL PANEL	16
3.8 USING THE CINDERELLA FREEDOM TOILET	17
3.9 OPERATING THE FRONT COVER AND ASH CONTAINER	18
4. GENERAL MAINTENANCE INSTRUCTIONS	19
4.1 END PRODUCT CHARACTERISTICS	19
4.2 CUSTOMER MAINTENANCE	20
4.2.1 EMPTYING AND CLEANING THE ASH CONTAINER	20
4.2.2 STEAM-CLEANING THE CATALYTIC CONVERTER	20
4.2.3 CLEANING THE BOWL	21
4.2.4 INSPECTING AND VACUUM CLEANING THE CATALYTIC CONVERTER	22
4.2.5 CLEANING THE APPLIANCE FLUE TERMINAL	22
4.2.6 RINSING THE CATALYTIC CONVERTER WITH HOT WATER	23
5. TROUBLESHOOTING AND FAQ	24
5.1 TROUBLESHOOTING TABLE	25
6. REPAIRS AND SPARE PARTS	26
6.1 SPARE PARTS LIST	26
6.2 WIRING DIAGRAM	26
7. WARRANTY	27

1. GENERAL SECTION

1.1 INTRODUCTION

It is essential to ensure proper ventilation in accordance with the guidelines in this manual to guarantee the functionality of your new Cinderella toilet. Improper installation may cause malfunction, wear and/or odours and will void the warranty. When installing the appliance, the technical and administrative regulations in the country in which it is installed must be adhered to.

1.2 APPLICATION ACCORDING TO REGULATIONS

This appliance is designed to incinerate bodily waste products and small sanitary products such as toilet paper and non-alcohol baby or face wipes.

This appliance must not be installed in a mobile or portable installation such as a mobile home, recreational vehicle or caravan.

1.3 OPERATING INSTRUCTIONS GUIDE

Please read this instruction manual carefully before installation and first use. Store these instructions in a safe place so you can refer to them when required. If you pass on the product to someone else, hand over this instruction manual along with it.

These instructions provide you with the necessary guidance for proper installation, handling and maintenance of the product. It is important that both the installer and the user familiarise themselves with the instructions given in this manual. The manual also contains information on professional maintenance and any necessary information for service and repairs.

A digital version of this document and further information can be found at www.cinderellaeco.com

1.4 LIMITATION OF LIABILITY

The manufacturer accepts no liability for damage in the following cases:

- Faulty installation
- Damage to the product resulting from incorrect connection voltage
- Alterations to the product without express permission from the manufacturer
- Use for purposes other than those described in the operating manual
- Non-observation of the operating and maintenance instructions
- Application not in accordance with the regulations or provisions
- Use of non-original bowl liners and spare parts

1.5 LISTINGS AND CERTIFICATIONS

The Cinderella Freedom has been extensively tested by DBI and SLG in accordance with the European standard for gas safety and electromagnetic compatibility.

1.6 ENVIRONMENTAL REQUIREMENTS

- Ambient temperature range: -20 to +40 °C
- Operating altitude: Tested to 1,500 m



CAUTION!

When the Cinderella toilet is installed, the minimum clearance to any combustible construction must be 50 mm from the sides and 50 mm from the rear.

1.7 GENERAL SAFETY INSTRUCTIONS



DANGER!

Safety instruction: Failure to observe this instruction could cause fatal or serious injury.



WARNING!

Safety instruction: Failure to observe this instruction could lead to injury.



CAUTION!

Failure to observe this instruction could cause material damage and impair the function of the product.



NOTE!

Supplementary information for operating the product.



DANGER!

- Do not spray aerosols in the vicinity of this appliance while it is in operation.
- Do not use or store flammable materials in or near this appliance.
- Do not place articles on or against this appliance.
- Do not modify this appliance.



- Do not operate the incineration toilet if it is visibly damaged.
- If the DC power cable for this toilet is damaged, it must be replaced by the manufacturer, customer service or a similarly qualified person in order to prevent safety hazards.
- Never use a naked flame to check the toilet gas connections for any leakage.
- This toilet may only be repaired by qualified personnel. Inadequate repairs may cause serious hazards.
- Only use LPG gas.
- Only operate the toilet with the pressure shown on the type plate on the back of the toilet.



WARNING!






- Danger of crushing! Do not place your hand on the hinge or underneath the toilet seat while open, as there is no soft-close function on the lid and seat.
- Do not empty the ash container when hot.
- Before activating, ensure that the power supply line and plug are dry.



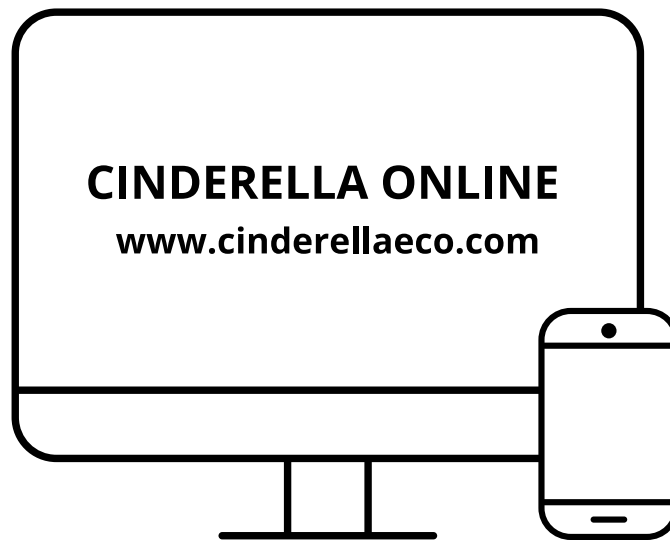
- During transport, only hold the toilet by the toilet shell. Never hold the toilet by the gas connection, power cord, front cover, lid or seat or exhaust outlet.
- Check that the voltage specification on the type plate is the same as that of the energy supply.
- Only use power cables with a suitable cross-section.
- Danger of overheating! Always ensure sufficient ventilation so that the heat and emissions generated during incineration can dissipate from the flue pipe. Ensure proper air flow for the system. Always ensure sufficient ventilation into the toilet.
- Make sure that the toilet is sufficiently far away from walls or other objects so that air can circulate.

1.8 APPLIANCE RATING PLATE

The appliance rating plate can be found on the back plate of the incineration toilet. From this plate you can read the model identification, serial number, toilet ratings and support detail. You will need these details whenever you contact the customer service centre or when ordering spare parts.

<p>MANUFACTURER</p>  <p>CINDERELLA ECO GROUP AS Sjøvikvegen 67, 6475 Midsund, NORWAY For sales and support call +4777711500 or visit our web www.cinderellaeco.com</p> <p>CINDERELLA FREEDOM MODEL: PM02CS03EU SERIAL:</p>	<p>Appliance Specifications</p> <p>VOLTAGE..... 12V DC CURRENT 4 A GAS:..... PROPANE FAN BLOWER:..... 12V DC GAS SUPPLY PRESSURE: 30 mBar CAPACITY..... 3-4 PEOPLE PR. HOUR CONNECTED LOAD 425 G/H EFFECT..... 2.86 kW EXHAUST SYSTEM CONSTRUCTION -B22 DEVICE CATEGORY 13 B/P YEAR OF MANUFACTURING..... 2021 DESIGNED FOR..... HOME/CABINS, SANITATION WELFARE UNIT</p>	    <p>For information on how to claim warranty, support and recycle our product visit www.cinderellaeco.com</p>
--	--	---

1.9 CINDERELLA ONLINE



REGISTER WITH "MY CINDERELLA"

When you register your toilet in "My Cinderella", you will receive relevant information about our products and available support systems, as well as special offers specifically tailored to your toilet model. In the event of theft, registered toilets will be in our manufacturer database.

Online Troubleshooter

A complete guideline to your toilet, providing useful advice and user improvements, enabling you to solve the most common issues on your own, without having to call for assistance.

Easy access to information

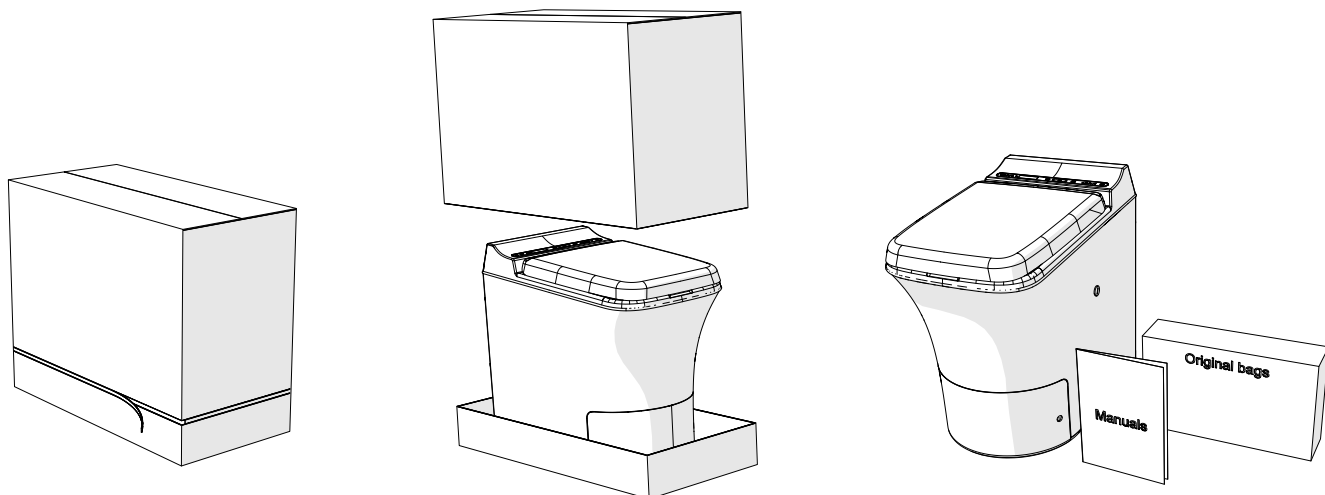
You can download product documentation from our online documentation centre, where you will find product manuals, service manuals and a Disassembly of Waste Electrical and Electronic Equipment (WEEE) manual.

Service and spare parts

Select country of origin and receive a list of local dealers where you can obtain service and spare parts.

2. INSTALLATION SECTION

2.1 UNPACKING YOUR CINDERELLA INCINERATION TOILET



NOTE!

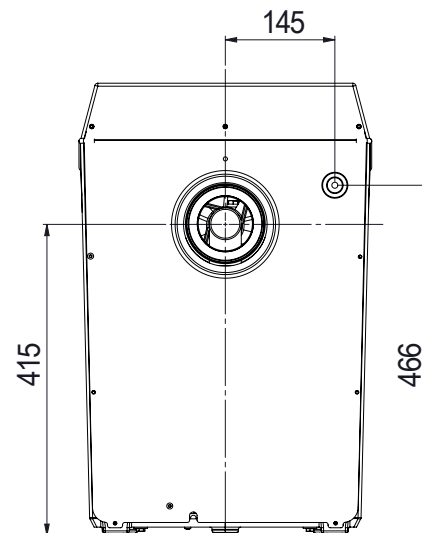
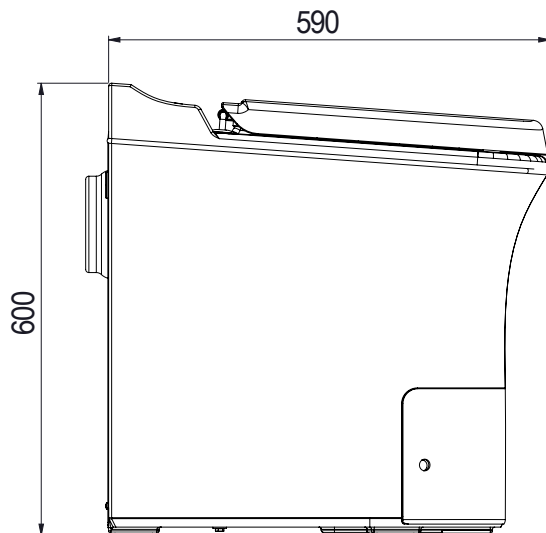
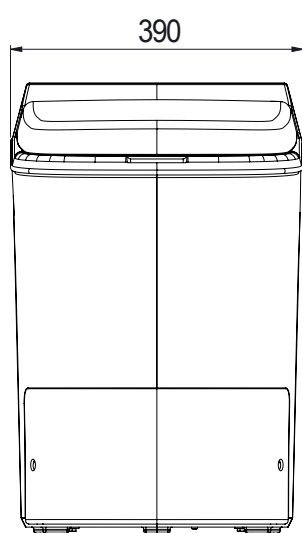
When unpacking the Cinderella toilet, use the pre-fixed strip on the bottom of the box. Release the strip all around the box and lift up the box.

INCLUDED ITEMS	QTY
Cinderella PM02CS03	1
Bowl liners	1
Product manual	1

2.2 MEASUREMENT SPECIFICATIONS

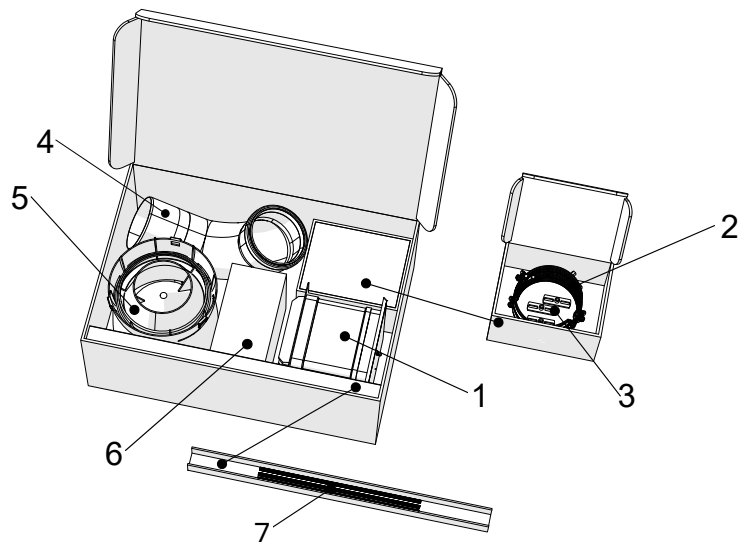
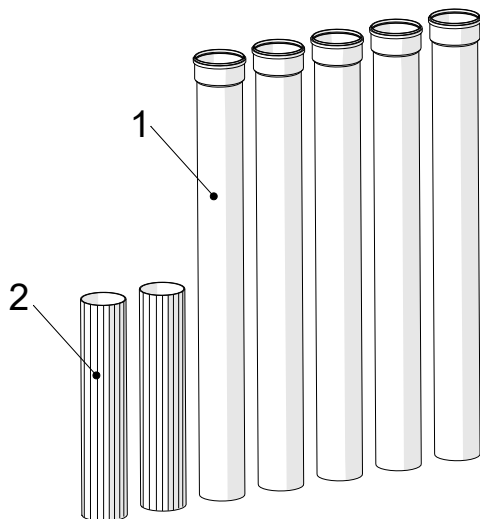
Height	600 mm
Seated height	540 mm
Width	390 mm

Depth	590 mm
Height centre outlet	415 mm



2.3 ORIGINAL INSTALLATION PACKAGES FOR YOUR CINDERELLA TOILET

Cinderella Original Installation Kit: We strongly recommend the use of the “Cinderella Original Installation Kit” when installing your appliance. This complete set includes necessary parts for an ideal installation, optimising the incinerating process and functionality of your toilet. The installation kit includes two separate boxes. Box no. 1 includes an optimised flue cowl and elbow, for increasing the system flow rate and incineration efficiency, as well as a specially designed 201 cm² air vent for optimised functionality. The kit also contains clamps to support the installation of the outlet pipes. Box no. 2 includes 7 x 110 mm UV-stabilised PP-quality pipes for installing the outlet ventilation.



CINDERELLA ORIGINAL INSTALLATION KIT		QTY
1	Male-female 1,066 mm flue pipe	5
2	Male-male 500 mm flue pipe	2

CINDERELLA ORIGINAL INSTALLATION KIT		QTY
1	Air vent, 160 mm (201 cm ²)	1
2	Support clamp	3
3	Wall mount rod	3
4	Elbow, 87° w/drain	1
5	Flue terminal cap	1
6	Pressure regulator kit*	1
7	Threaded rod, 30 mm	3

*Norway and Sweden only



NOTE!

- This manual will further explain and demonstrate how to optimally install your toilet, based on the parts included in the Original Cinderella Installation Kit. Should you desire to install your Cinderella appliance other than with our original pipes and parts, be sure that the parts you use comply with the specifications described under section 2.4.1 “Specifications of parts and materials”.
- In order to guarantee your Cinderella incineration toilet functions properly, it is essential to ensure proper ventilation in accordance with the guidelines in this manual. Installations deviating from the manufacturer specifications or the use of non-authorised parts in the installation of the appliance will cause malfunction, wear or odours and will void the warranty.

2.4 INSTALLATION SPECIFICATIONS

2.4.1 SPECIFICATIONS OF PARTS AND MATERIALS

ITEM	SPECIFICATIONS
Ventilation pipes	Cinderella Freedom is required to be installed with 110 mm pipes with a smooth inner surface and a minimum inner diameter of 102 mm. The pipe material must be specified for temperatures over 100 °C and preferably of a PP or CPVC type. We strongly recommend using the Original Cinderella PP-quality pipes.
Elbow (outlet air)	Cinderella Freedom is required to be installed with a smooth curved elbow that minimises the restriction of the air flow. We strongly recommend using the Original Cinderella elbow, 87° w/ drain.
Flue terminal cap	Cinderella Freedom is required to be installed with a flue terminal cap that prevents intrusion of rainwater and that has a minimum restriction of the air flow. Wind fans or similar are not to be used when venting the Cinderella incineration toilet. We strongly recommend using the Original Cinderella flue terminal cap.



NOTE!

- The inside of the ventilation pipe must be smooth and not embossed or grooved.
- Never use a mesh net in the ventilation pipe, as this might restrict the airflow in the system.
- The elbow must be accessible when installed, so that the drainage pipe can be rinsed and the outlet pipe cleaned.
- Cinderella Freedom is approved for use in bathrooms/wet rooms (IP 34 classified), but water must not be splashed over the external parts of the toilet.
- The toilet must be placed on a firm and level base. Your Cinderella appliance may be installed on a heated floor.

2.5 INSTALLING THE CINDERELLA INCINERATION TOILET

It is essential to ensure proper ventilation in accordance with the guidelines in this manual to guarantee the functionality of your new Cinderella toilet. Improper installation may cause malfunction, wear or odours and will void the warranty. Read each section carefully before starting the installation of the toilet. Always make sure that the work is carried out by professionals in accordance with local regulations.



CAUTION!

- Upon installation of the appliance, the technical and administrative regulations of the country in which the toilet is installed must be adhered to. We recommend that you contact your local dealer for planning and installing your Cinderella toilet.
- Never use bends in addition to the elbow.
- If the pipe perforates the roof surface, ensure that it is in compliance with building regulations.
- Do not use any flexible ducts or pipes when installing the Cinderella toilet.
- Never connect more than one appliance to the vent.

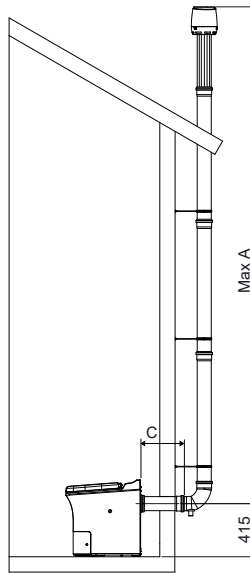
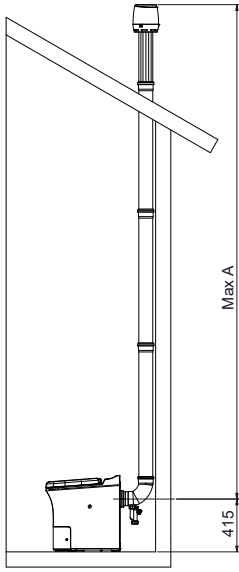


WARNING!

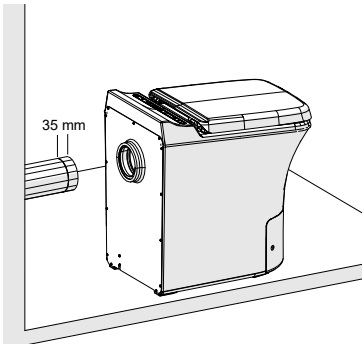
Before cutting any holes, always check that in doing so you will not cut through any electrical wiring or water pipes.

2.5.1 INSTALLING THE OUTLET PIPES

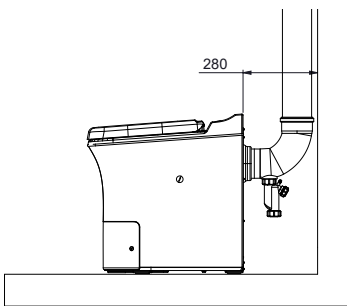
DIAMETER VENT PIPE	OUTLET DIRECTION	REFERENCE	BENDS	MAXIMUM PIPE LENGTH
110 mm	Horizontal flue pipe	C	(Not allowed)	1.0 m
110 mm	Vertical flue pipe	A	None	5.0 m



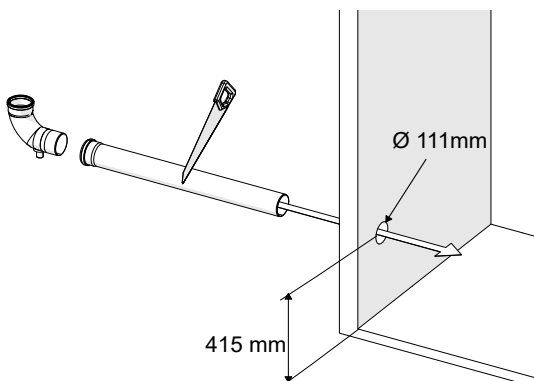
NOTE!
The centre of the appliance flue terminal is 415 mm from the floor level.



NOTE!
When adjusting the pipe length, please note that the pipe will enter 35 mm into the appliance flue terminal, and this will have to be calculated into the planning of your installation.



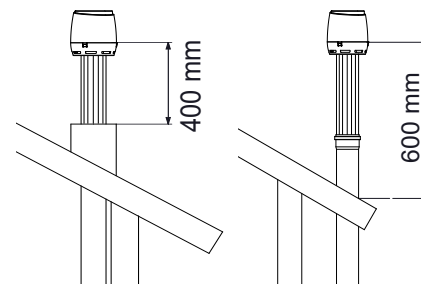
NOTE!
When installing the pipe vertically, straight up from the appliance, please note that the minimum distance from the wall to the toilet must be 280 mm.



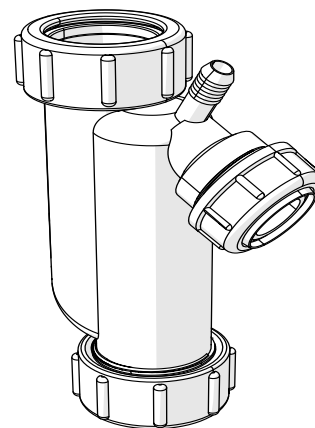
NOTE!
The Original Cinderella Installation Kit includes 5 x 1,066 mm pipes to be used on the outlet installation. The pipes are delivered with socket and gasket for simple installation. When installing the pipe through an outer wall, you will have to feed the pipe through from the outside.

**NOTE!**

- The pipe must always be installed vertically above the roof and extend at least 600 mm above the roof surface. If the outlet air pipe is to be enclosed (e.g. using metal siding), make sure that the end of the pipe extends at least 400 mm above the enclosure.
- If installing where snow is likely to accumulate, it may be necessary to extend the pipe further, and to secure accordingly. Keep in mind not to extend beyond the maximum allowed pipe length.

**NOTE!**

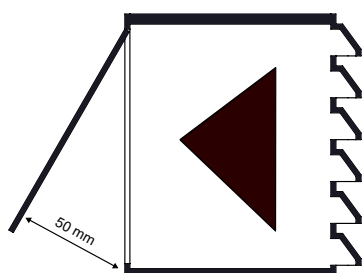
Cinderella supplies a specially designed “siphon” that fits onto the elbow provided in the installation kit. This item can be purchased as an accessory from any Cinderella dealer. If installation is done from inside, you will need to connect the siphon to the elbow piece to prevent condensation and rainwater from draining onto the floor. Failure to collect the condensation and empty it regularly may result in damage to the floor.

**2.5.2 INLET AIR TERMINAL**

An inlet air vent in accordance with manufacturer specifications is required to ensure adequate air circulation and the oxygen required for proper incineration. The Cinderella Original Installation Kit includes a specially designed air vent designed for optimal flow and increased product efficiency. The air inlet vent should preferably be installed as close to the Cinderella toilet as possible, to ensure a good air supply to the toilet and reduce the environmental impact in the toilet room. It is important that there are no other air-dependent installations used at the same time as the toilet, e.g. an extractor fan or fireplace. The Cinderella Freedom toilet draws air mainly from the underside of the toilet. It is therefore possible to have the air intake underneath the toilet. This allows you to insulate the air as much as possible in the toilet and minimise the environmental impact in the toilet room.

**NOTE!**

- The inlet vent’s minimum dimensions must be 160 mm (diameter)/201 cm².
- The vent must be open at all times when using the appliance. Remember to clean the vent at regular intervals.
- Make sure that there is no conflict between the toilet’s air supply and other installations, such as a fireplace or extractor fan.
- Do not use a separate ventilation fan or similar to extract air from the room where the toilet is installed when using the Cinderella Freedom toilet.
- If you have open ventilation under the toilet, it may be advisable to use a mesh over the hole to prevent insects and vermin from entering the toilet. Make sure that the mesh is not too fine – a minimum of 5 mm – as smaller mesh will impede the air flow.

**NOTE!**

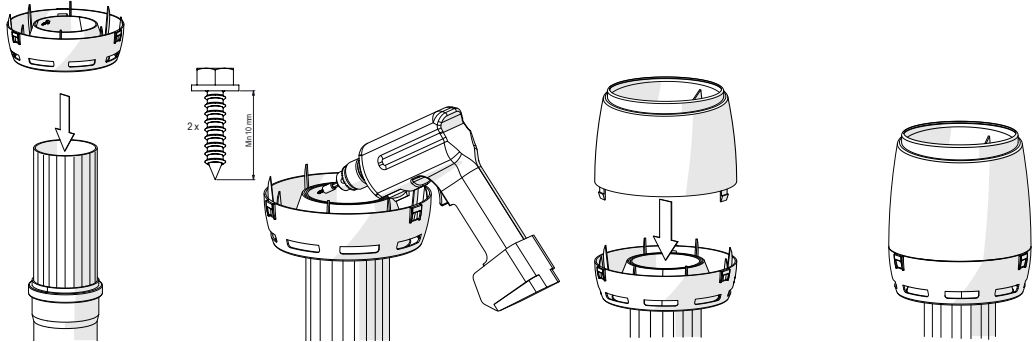
If the installed air vent has an adjustable opening, always make sure to leave it open by a minimum of 75 mm (two clicks) when operating the toilet.

2.5.3 INSTALLING THE ORIGINAL CINDERELLA FLUE TERMINAL CAP



NOTE!

The Cinderella Original installation Kit includes a flue terminal cap that is designed for optimal flow and increased product efficiency. This cap consists of two parts, where the base section can be fixed to the pipes with stainless screws or glue for easy connection and removal for maintenance of the ventilation pipes. Use the 500 mm pipe included in the Cinderella installation kit as the last section of the ventilation pipe. This will utilise the connection of the flue terminal cap.



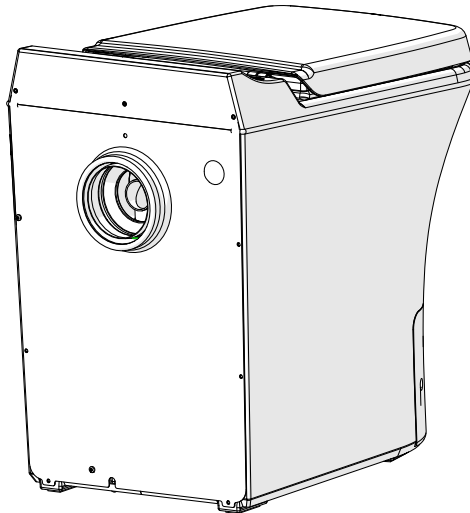
2.5.4 GAS INSTALLATION

When connecting gas to the toilet, make sure to use the appropriate gas regulator for your area. The connection type on the appliance is ¼" NTP.



WARNING!

- Only operate the toilet at the pressure shown on the type plate on the back of the toilet.
- Only operate the toilet with the type of gas shown on the type plate on the back of the toilet.
- The toilet is suitable only for indoor installation.



SPECIFICATIONS	VALUE	NOTES
Fuel consumption	160-190 g	Per incineration
Inlet gas pressure	30 mBar	
Gas type	LPG	
Gas connection appliance	G ¼" LH	
Orifice size	1 mm	

2.6 ELECTRICAL SPECIFICATIONS AND REQUIREMENTS

The correct voltage, frequency and amperage must be supplied to the appliance from a dedicated, earthed circuit that is protected by a properly sized circuit breaker. The proper voltage, frequency and amperage are listed in this manual, and on the product rating plate on the back of the toilet. Please note: This toilet requires a 12 V 4 A DC supply. If you need to operate it from a 240 V AC power point (GPO), please request the approved power supply from your dealer.

Power requirements	INPUT	CURRENT	FUSE
	12 V DC (11–14.4 V)	4 A	10 A
Power consumption	HIBERNATION MODE	STANDBY MODE	INCINERATING MODE
	0.005 A	0.09 A	1.3 A
Connection polarity	CROSS-SECTION	POSITIVE	NEGATIVE
	2 mm ²	Red	Black

The respective negative and positive cables of the DC connection must not be joined to one another in a camper, as this can cause electrical interference and damage to electrical components. The 12 V supply must be connected on its own circuit direct to the battery, with a 10 A fuse at the start of the circuit. Use the 12 V wiring guide to calculate the correct cable size according to the cable length.

12 V WIRING GUIDE						
Amps	1 m	2 m	5 m	6 m	8 m	10 m
4	2 mm ²	2 mm ²	2 mm ²	4 mm ²	4 mm ²	4 mm ²

When connecting the toilet to the mains DC power, take the following into consideration:

- Make sure the cable has sufficient current rating for the expected load in the circuit, including a margin of safety.
- Make sure the cable cross-section is dimensioned for the intended cable run length, and that the cable will not cause the voltage to drop.
- Always check the polarity of the cables before connecting, as reverse polarity connection is not covered under warranty.



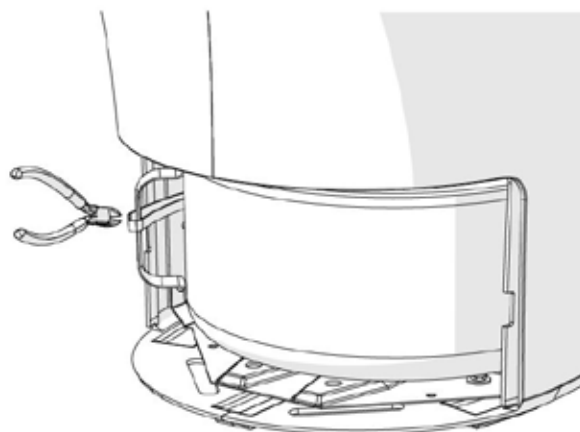
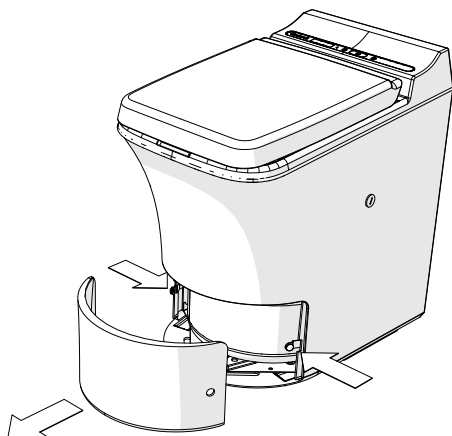
NOTE!

- The connection cable must be laid in such a way that it does not come into contact with sharp edges.
- Changes to the internal electrical installation or the connection cable must be performed by a professional tradesman or a similarly qualified person in order to prevent safety hazards.

2.7 REMOVING THE TRANSPORTATION SAFETY STRAP

The ash container is equipped with a safety strap that must be removed before use:

1. Remove the front cover.
2. Cut away and remove the plastic straps attaching the ash container to the steel frame.



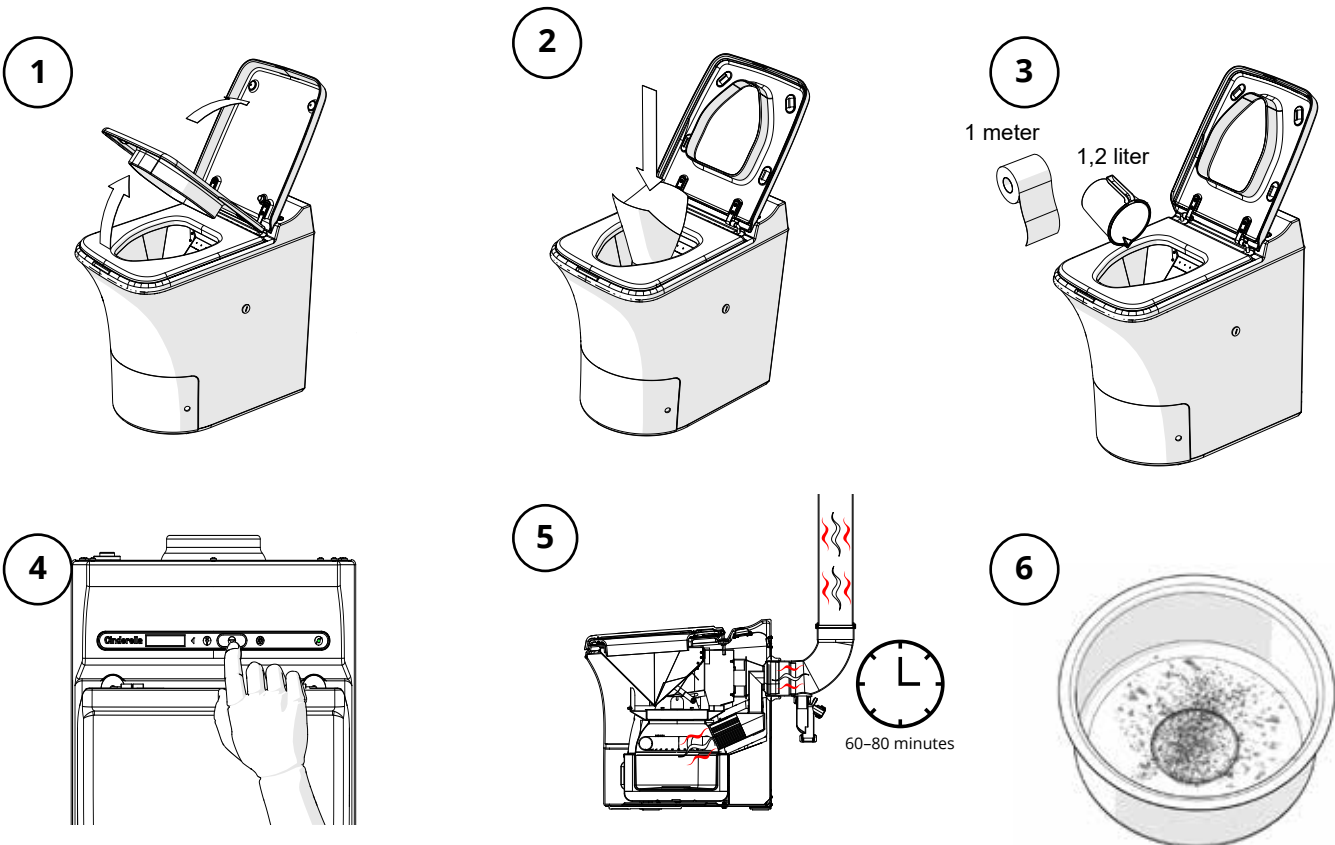
2.8 CHECKLIST TO VERIFY COMPLETE INSTALLATION

CONTROL ITEMS	CONFORMANCE
The connected voltage is in accordance with the appliance rating plate	
The connected gas pressure is in accordance with the appliance rating plate	
The appliance is installed in accordance with manufacturer specifications	
The flue pipe is installed according to manufacturer specifications	
The flue termination is no less than 600 mm from the roof surface	
Safe draining "siphon" is installed where condensation is likely to accumulate	
Flue pipe material is installed according to manufacturer specifications	
Flue cap is installed according to manufacturer specifications	
Inlet air is in accordance with manufacturer specifications	

2.9 PERFORMANCE TEST TO VERIFY SYSTEM FUNCTIONALITY

When the "Start" button is pressed, the incineration cycle will be activated. The estimated incineration time for the verification test is approximately 60–80 minutes. The yellow light will be lit when the incineration is ongoing, and the complete test should be completed without any fault indications or system interruptions. The toilet will have to cool down to the point that the fan has stopped before the ash container can be removed. The cooling phase can take from 60–90 minutes, depending on the ambient cooling temperature.

The end result should only be fine white dust. Any end results deviating from this or an incineration time exceeding 90 minutes may indicate a restriction in the flue vent or a lack of oxygen. Check that the installation is in accordance with the manufacturer specifications presented in section 2 of this manual.



WARNING!

The ash container will get very hot while incinerating. Do not remove the front lid until the toilet has cooled completely and the fan has stopped.



NOTE!

- The performance test is designed to be performed when the toilet has not been used. Results may vary when performing this test on used toilets.

3. USER SECTION

3.1 INTENDED USE AND HANDLING

The Cinderella Freedom toilet is intended for indoor installation and use in leisure homes such as cabins, second homes, outhouses, site welfare units, boathouses and pool houses. The toilet is solely designed to incinerate bodily waste products and small sanitary products such as toilet paper, sanitary pads and non-alcohol baby, face and cleaning wipes. Using the Cinderella Freedom to incinerate other items constitutes misuse and will void your warranty.

Do not put the following items into the toilet:

- Excessive amounts of paper of any kind
- Chlorine-based cleaning agents
- Alcohol cleaning wipes
- Newspaper
- Paper towels
- Flammable liquids or materials
- Cigarette lighters
- Cigarettes or cigars
- Petrol
- Alcoholic drinks or liquors
- Alcohol or rubbing alcohol
- Nail polish remover
- Lighter fluid
- Lamp oil / kerosene
- Aerosol containers
- Glass or plastic bottles or containers etc.

3.2 GENERAL SAFETY



DANGER!

- Do not operate the incineration toilet if it is visibly damaged.
- If the connection cable for the toilet is damaged, it must be replaced by the manufacturer, customer service or a similarly qualified person in order to prevent safety hazards.
- This incineration toilet may only be repaired by qualified personnel. Unauthorised repairs can result in considerable danger or damage to the toilet.
- Cleaning and user maintenance may not be carried out by unsupervised children.
- Do not use any explosive substances or flammable cleaning agents when maintaining the toilet.

3.3 SAFETY WHEN OPERATING WITH GAS



DANGER!

- Never use an unshielded flame to check gas-bearing parts and pipes for leakage, as this presents a risk of fire or explosion.
- In case of gas odour:
 - Close the gas supply stopcock and the valve on the cylinder.
 - Open all windows and leave the room.
 - Do not turn any electrical switches on or off.
 - Put out any naked flames.
 - Have the gas system checked by a specialist.

3.4 SAFE OPERATIONS



WARNING!

- The ash container in the toilet will become very hot when the toilet is in use. Make sure the safety cover is in place when the toilet is in use. Do not empty the ash container until the toilet has cooled completely.
- The seat does not have a soft-close function. Take care not to crush your hands or fingers when closing the seat or lid.

3.5 CINDERELLA FREEDOM SAFETY FEATURES

- The incineration process is inactive while the toilet lid is open. The incineration will not start until the seat and lid are closed.
- The hatch to the incineration chamber CANNOT remain open while the toilet is still hot (e.g. during cleaning). This is only possible when the toilet has cooled down and the fan has stopped.

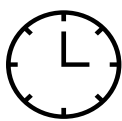
- Should a ventilation problem arise and the internal temperature of the toilet increases to more than 105 °C, incineration will be interrupted and a warning message displayed. This situation requires a manual reset to ensure the ventilation issue is addressed before the toilet can be used again.
- If the ash container is improperly positioned after emptying, incineration will not start and a warning light and message will be displayed.
- If the combustion chamber hatch mechanism gets jammed or is prevented from closing properly, incineration will not start and an error message will be displayed.
- The Cinderella Freedom's smart software includes a "watchdog" function that monitors the temperature while incineration is taking place. If any deviations from the normal temperature range are detected, this will immediately result in the incineration stopping and a warning message being displayed.

3.6 IMPORTANT USER INFORMATION



NOTE!

- Always remember to place a new liner in the toilet bowl before use, one liner per visit.
- The toilet lid must always be closed when the toilet is not in use. Incineration will not start or continue until the lid has been closed.
- The incineration cycle could take up to 180 minutes from the most recent visit.
- The fan will continue to run until incineration is completed and the internal temperature of the toilet has returned to the normal range. The cooling phase can exceed 120 minutes after incineration is completed, depending on the temperature of the air provided for cooling.
- Your Cinderella toilet may be used at any point during the incineration or cooling processes. Incineration is interrupted during use. Be sure to close the lid and press "Start" at the completion of each visit.



Capacity: 4 persons

The Cinderella Freedom toilet is designed to handle up to four visits per hour. To avoid overload, more than four visits per hour is not recommended. Overloading the toilet with many visits in a short period of time, without completing an incineration cycle, can result in odours and leakage, and may damage the toilet.



Emptying frequency

The total liquid capacity of the system's waste container is 5 L. The ash container should be emptied frequently (once a week) for best operation. This ensures more efficient incineration and helps keep the catalytic converter cleaner.

If your ash container has not been removed (by weekly emptying routines), your Cinderella Freedom will display a message to empty the container after 90 incineration cycles, and will lock out further visits if not emptied after 120 visits. We recommend that you empty the toilet as often as possible to ensure better incineration efficiency and less wear of the product.

Failing to empty the ash container when full may cause damage to the toilet and void your warranty.



Preparing your toilet for a lengthy period of non-use

In cases of longer periods of non-use, the waste must be incinerated, and the ash container emptied.



Short period of increased use

Should the situation require an unusually high number of guests to use the toilet for a short period of time, please follow these tips:

1. Empty the ash container completely before guests arrive.
2. Preheat the toilet before use by opening and closing the lid then pressing the "Start" button.
3. Ensure guests are instructed to use a bowl liner and press "Start" after every visit.
4. Check regularly to ensure the toilet lid is closed and the yellow incineration light is still lit.
5. You may need to run an extra incineration cycle or two before emptying the ash container to ensure that the waste has been fully incinerated.

3.7 THE CONTROL PANEL

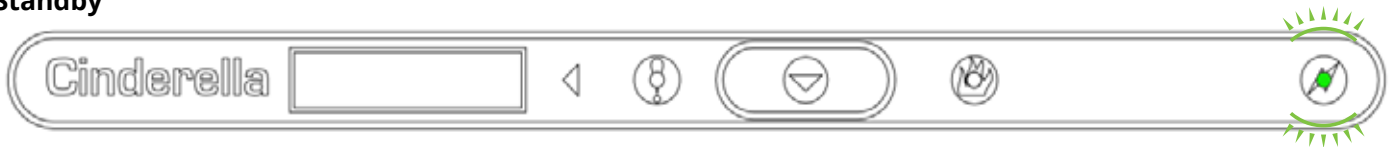
The control panel is equipped with a combination of light, sound and display messages that will give the best possible user experience. There are a number of light and sound combinations that will tell the user about the status of the system. It is important that all users familiarise themselves thoroughly with these signals before use. An overview of all the light and sound signals can be found in the troubleshooting table in section 5.1.



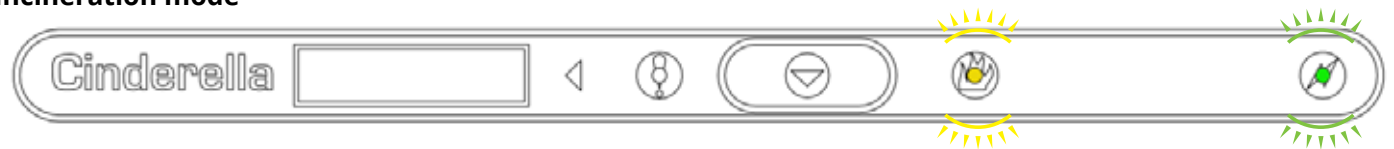
NOTE!

- A green light indicates that the toilet is connected to the power supply. When only the green light is lit, the toilet is in standby and ready for use.
- A yellow light indicates an ongoing incineration process and will light constantly while the toilet is in incineration mode.
- A red light indicates interruption and will alert the user that the toilet is no longer incinerating or in standby.

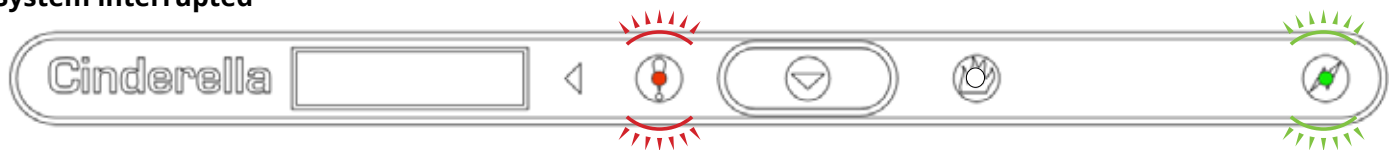
Standby



Incineration mode



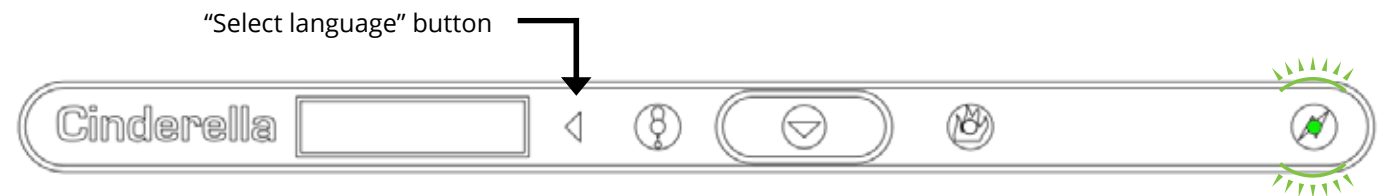
System interrupted



Selecting your language

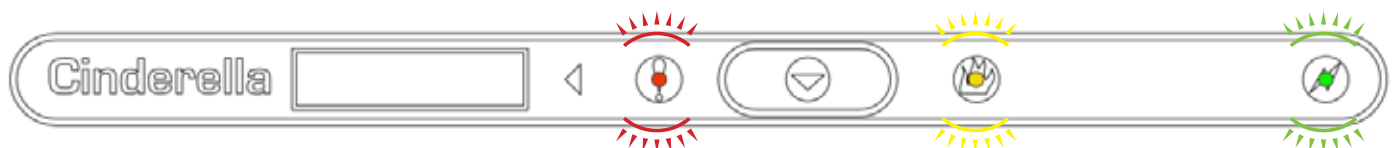
Hold down the "Select language" button for three seconds until "Language" is displayed on the first text line. The current language will be displayed on the second line. Push the "Select language" button repeatedly until the desired language is displayed. The new language will automatically be saved a few seconds after you have chosen your language, and the toilet will resume operation.

"Select language" button



Emptying indicator

Your Cinderella Freedom will indicate when it is time to empty the ash container. The display will read "EMPTY THE ASH CONTAINER" and you will hear three short beeps when the toilet lid is opened. If not emptied within a certain amount of uses, the toilet will lock down. At this point the yellow, red and green lights are constantly lit and the display will read "TOILET LOCKED CONTAINER FULL". You will hear three short beeps every ten seconds until the ash container is emptied.



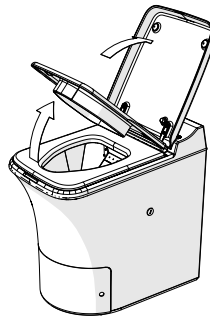
3.8 USING THE CINDERELLA FREEDOM TOILET

1



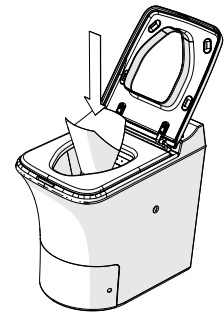
1. Check that the green light on the control panel is lit, indicating the unit is powered and ready for use.

2



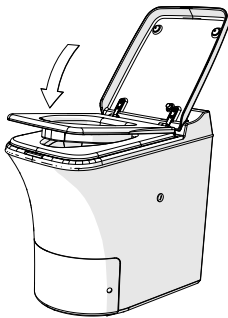
2. Lift the toilet lid and seat. A red light starts flashing. The ventilation fan starts.

3



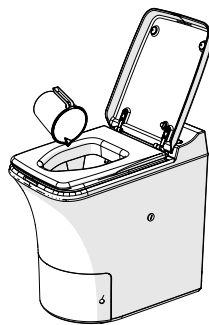
3. Place a bowl liner in the bowl. Use a new bowl liner for every visit.

4



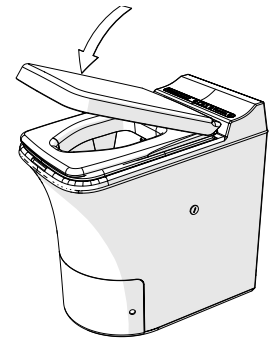
4. Lower the seat. The toilet is ready for use.

5



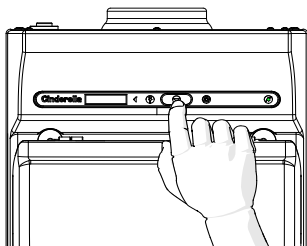
5. Use the toilet as usual. If little waste is produced, it may be helpful to pour some water into the bowl to add weight.

6



6. Close the toilet lid.

7



7. Push the "Start" button to drop the bowl liner and its contents into the incineration chamber. Incineration begins as soon as the hatch is closed. The toilet is now ready for the next user.

8



8. A constant yellow light will display during active incineration. The toilet may be used at any point. This will temporarily interrupt incineration. Incineration time may vary based on the number of visits and amount of waste.

3.9 OPERATING THE FRONT COVER AND ASH CONTAINER



WARNING!

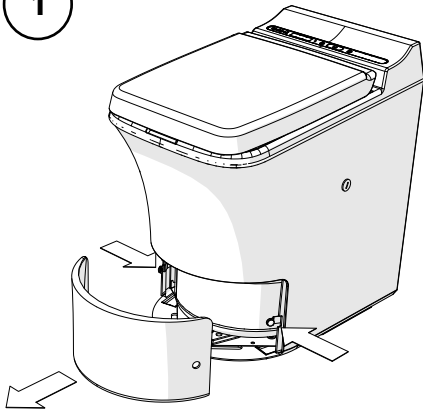
Only operate the ash container when the toilet is cooled and in standby mode.



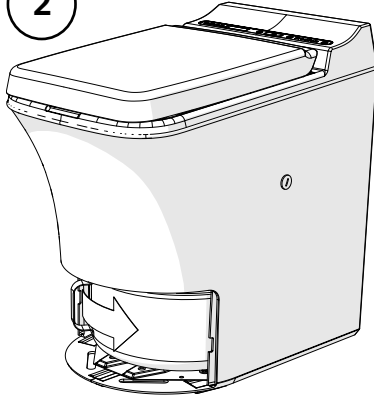
NOTE!

Please see the maintenance section for instructions regarding cleaning and emptying the ash container.

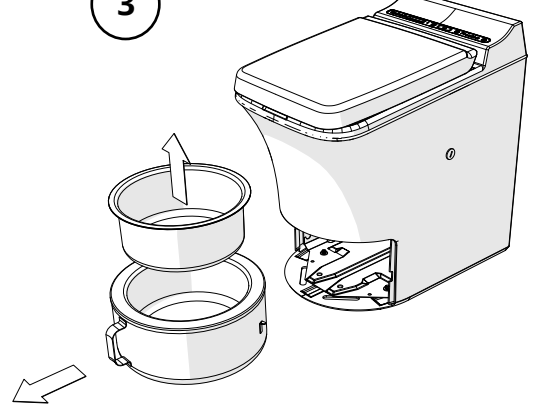
1



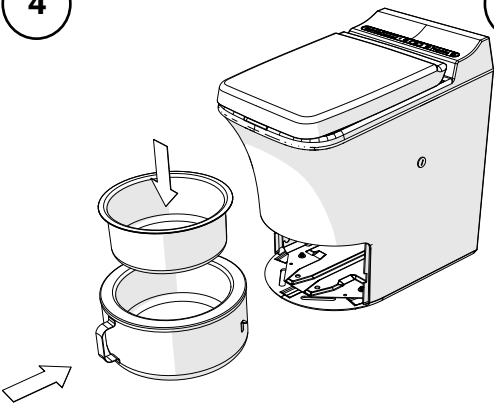
2



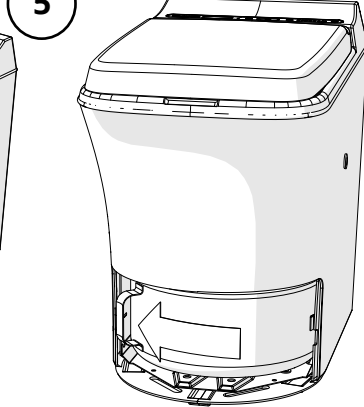
3



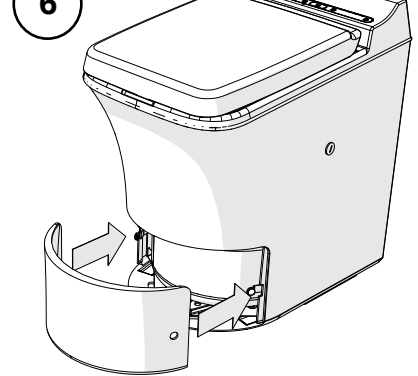
4



5



6



4. GENERAL MAINTENANCE INSTRUCTIONS

This manual includes both customer maintenance and the maintenance to be performed by professionals in accordance with the necessary expertise and authorisations.

A smooth-running air circulation system is critical to keep your toilet functioning properly. Particles generated during the incineration process can clog the catalyst and exhaust pipe over time, and it is important to regularly maintain these parts to ensure proper functionality.

In order to ensure optimal operation and extend the lifetime of your Cinderella Freedom appliance, you will need to set aside a little time for preventive maintenance. Good maintenance routines will give you lower operating costs and cause less wear on the product. We strongly advise our customers to perform frequent maintenance as follows:

1. Empty the toilet frequently. Do not base your use on the maximum limit of the appliance.
2. Always clean the ash container and insert when emptied (see section 4.2.1).
3. Always perform the steam cleaning after each box of bowl liners (500 uses), preferably after each emptying and washing of the ash container (see section 4.2.2).
4. Always observe the end result characteristics when emptying the toilet. Deviations in the end result may indicate the need for maintenance or service (see section 4.1).

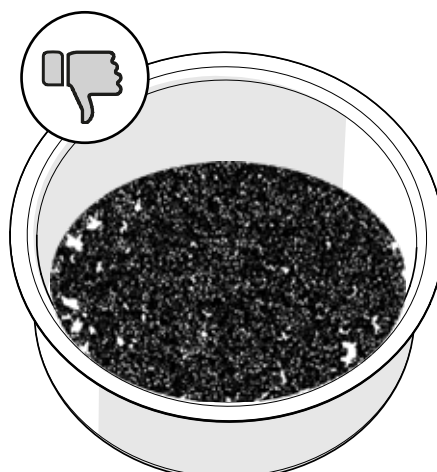
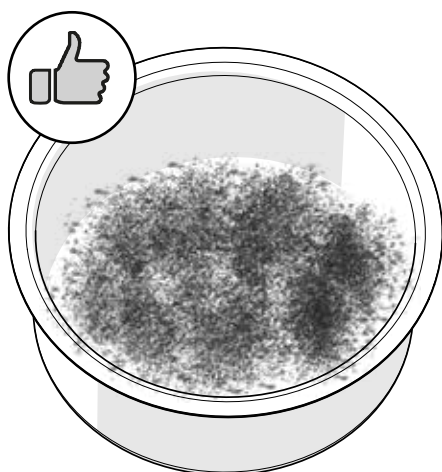


WARNING!

Before performing maintenance, always make sure that the toilet is not in incineration mode and that the toilet is sufficiently cooled.

4.1 END PRODUCT CHARACTERISTICS

The residual waste, or "ashes", will consist of pathological residue, salts and minerals, and will therefore often be perceived as hard and crystallised. There should be no visible signs of paper or flaky layers of unburned waste. The ashes should be a combination of white and a dark shade of grey. If there are larger deposits of black unburned waste, humidity or paper when emptying the toilet, please start an additional incineration without inserting paper or water. When the incineration is completed, empty the ash container and perform the maintenance procedures as instructed in this manual.

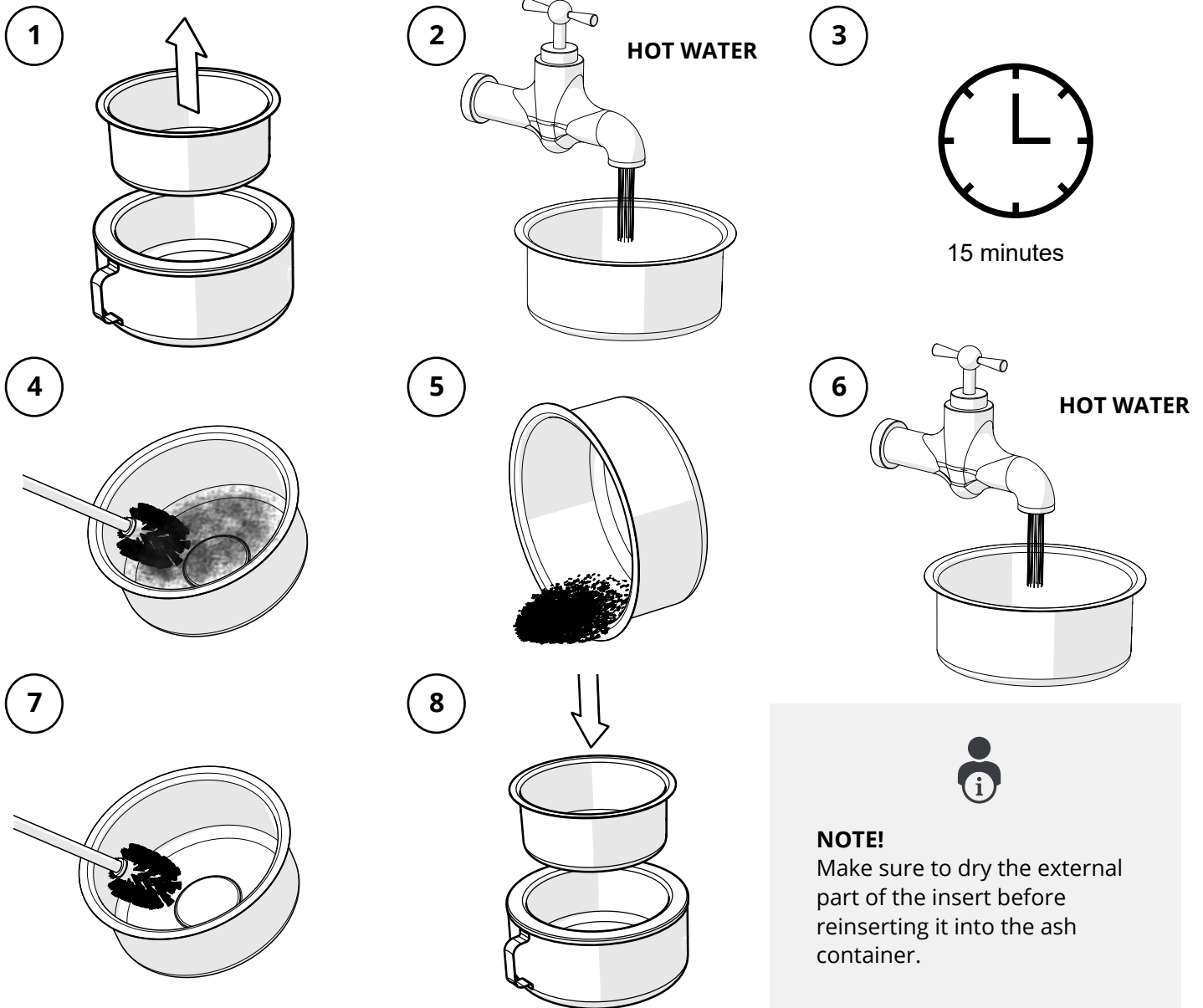


CAUTION!

- The ash is not suitable for use as fertiliser or compost. It should be disposed of in your household waste in accordance with relevant public regulations.
- The remaining ash is sterile and safe to handle when it has been incinerated to a light colour. If the ash is black and flaky or the incineration cycle was incomplete, run an extra incineration cycle to ensure that the ash has been fully incinerated. If the problem persists, see the troubleshooting section for further advice.

4.2 CUSTOMER MAINTENANCE

4.2.1 EMPTYING AND CLEANING THE ASH CONTAINER



CAUTION!

Do not use any sharp tools or objects when cleaning the ash container insert, as this will damage the insert and reduce its service life.



NOTE!

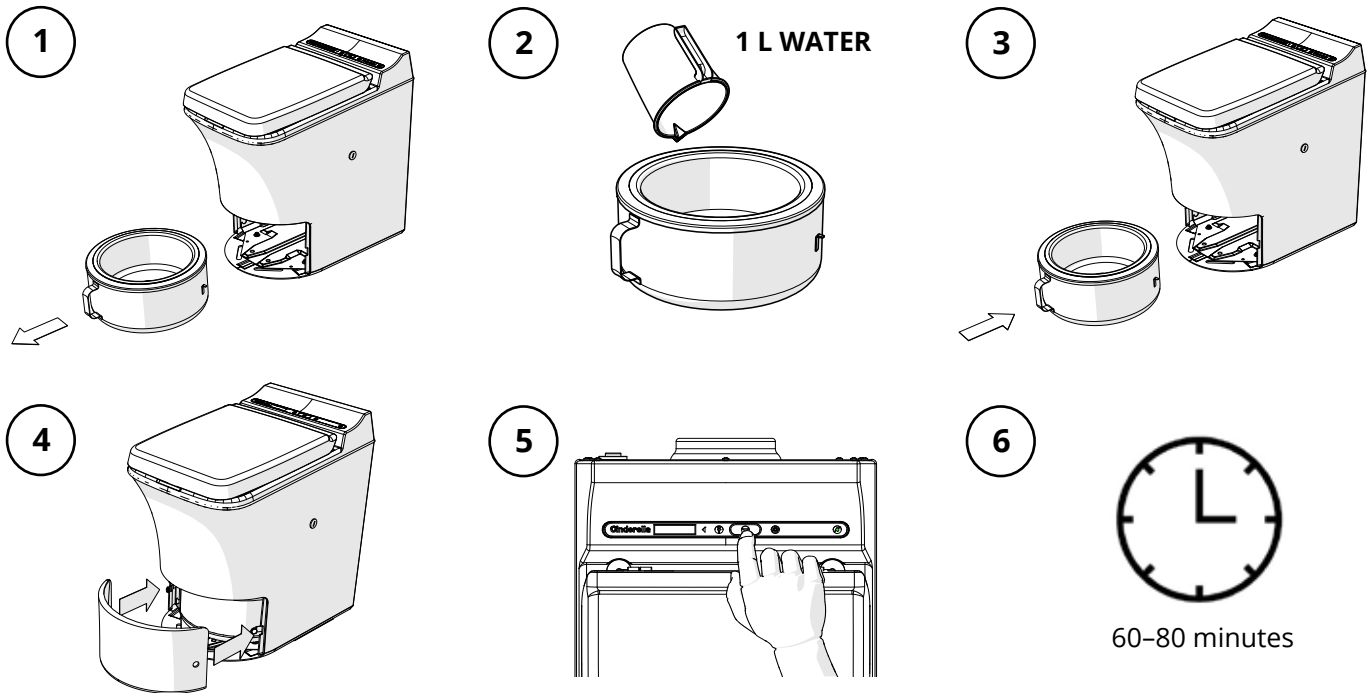
- In order to preserve the functionality of your toilet in the best possible way, we recommend that you carry out the "steam cleaning" procedure in accordance with section 4.2.2 every time you empty and wash the insert. This will prevent the possible accumulation of tar and unwanted deposits in the catalytic converter and toilet exhaust system.
- When emptying the toilet, make sure that the mains power is connected. Emptying the appliance without power will not enable the system to reset the use counter.

4.2.2 STEAM-CLEANING THE CATALYTIC CONVERTER

Recommended frequency: When emptying the ash container or at least every 500 uses. To perform steam cleaning:

1. Ensure that the toilet is cold and the ash container has been emptied and cleaned (see section 4.2.1).
2. Remove the front cover and release the ash container.
3. Pour approximately 1 L of clean water into the toilet insert.

4. Insert the ash container carefully without spilling any water, and attach the front cover.
5. Lift the lid and verify that the fan starts spinning.
6. Press "Start" to begin an incineration cycle.
7. The water will start to boil and the steam will clean out any debris in the catalytic converter. This system cleaning will normally take 60–80 minutes.



NOTE!

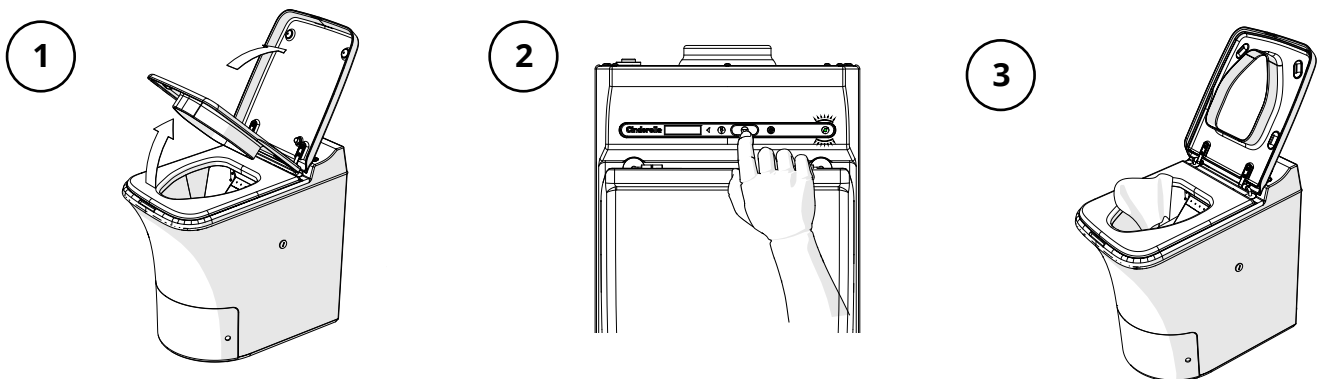
Do not use the toilet during the maintenance procedure, as this will impair the function of the cleaning. The toilet can be used when the toilet returns to standby mode.

4.2.3 CLEANING THE BOWL

Recommended frequency: as required for cleanliness and when emptying the ash container.

To clean the bowl:

1. Open the toilet lid.
2. Press and hold the "Start" button for three seconds to open the hatch to the washing position.
3. Use moist paper, water and a mild cleaning agent as required. Close the lid and start the incineration.



DANGER!

Do not use flammable cleaning agents to clean the bowl. Some metal edges may be sharp. The toilet needs to be cooled and in standby mode before cleaning the bowl.



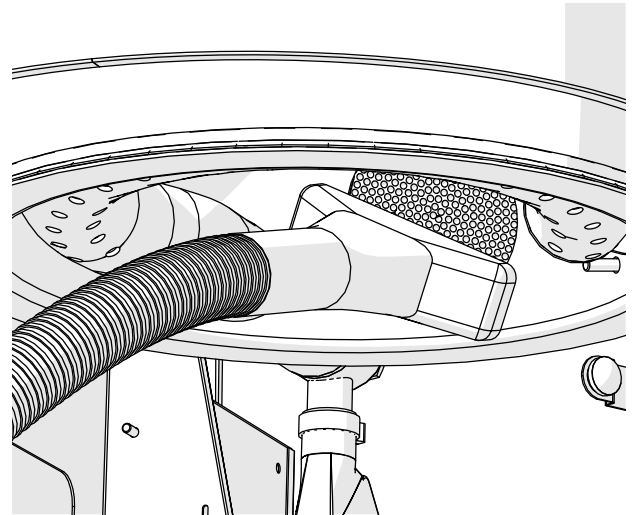
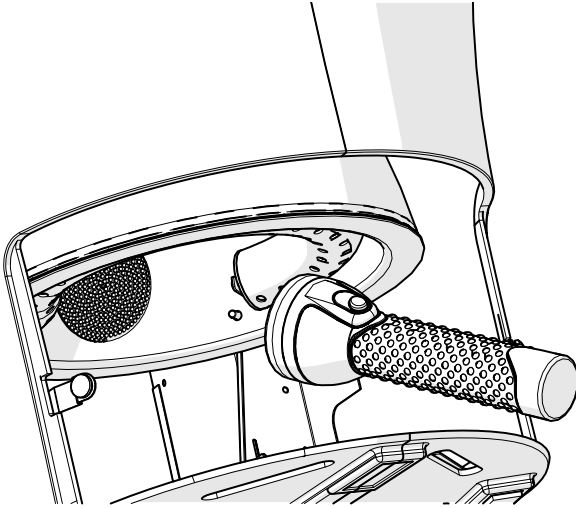
CAUTION!

Do not use chlorine-based cleaning agents to clean the bowl. Chlorine is extremely harmful for the catalytic converter and if put into the toilet it may cause the catalyst to malfunction.

4.2.4 INSPECTING AND VACUUM CLEANING THE CATALYTIC CONVERTER

Recommended frequency: Every 500 uses.

The catalyst is the primary air duct between the incineration chamber and the appliance flue terminal. Any accumulations of particles in the catalytic converter will reduce the flow rate and the toilet efficiency. It is therefore important to ensure that the catalytic converter is open at all times. Any changes in incineration time and/or incineration efficiency may be due to dense catalytic conversion. The best method to easily clean the catalyst is to perform "steam cleaning" as described in section 4.2.2. You can also inspect the front of the catalyst by removing the ash container and illuminating the combustion chamber from the inside. Any particles and accumulations can be removed using a vacuum cleaner.



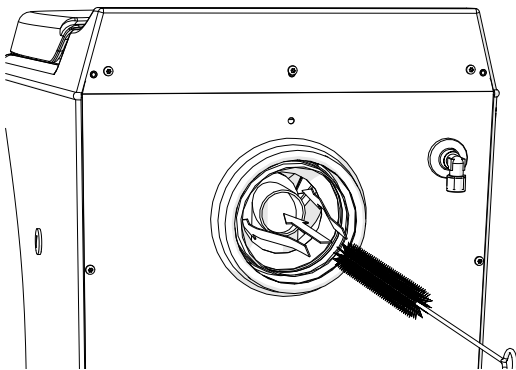
NOTE!

Clear signs of corrosion or deformity of the catalytic converter will indicate that the catalytic converter must be replaced. Contact your local service provider to arrange for service.

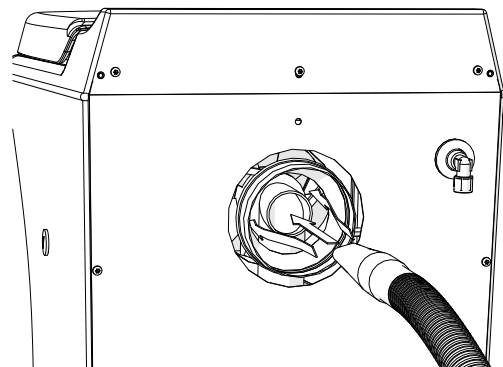
4.2.5 CLEANING THE APPLIANCE FLUE TERMINAL

Recommended frequency: at least every 500 uses.

1. The appliance will have to be disconnected from the flue pipe and power source.
2. Clean the flue terminal with a flexible brush. It is important that you clean both the exhaust pipe and surrounding venturi all the way back to the fan blades to get sufficient air flow.
3. Remove the ash container and clean out any debris in the container.
4. Use a vacuum cleaner to extract the remaining debris in the exhaust pipe and catalytic converter.
5. Reconnect the appliance to the flue pipe and power supply.
6. Install the ash container and front cover.
7. It is recommended that you perform a steam cleaning as described in section 4.2.2 after performing the flue terminal maintenance.



CLEAN EXHAUST AND VENTURI

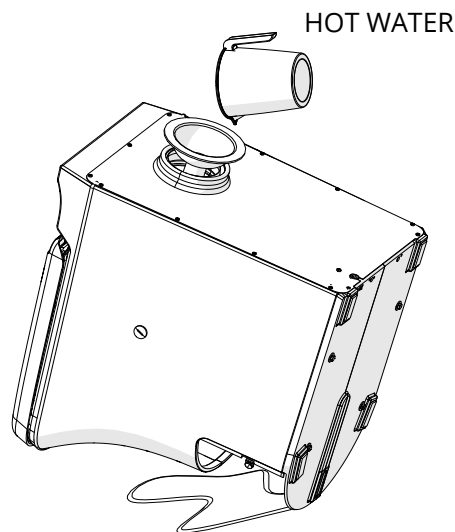


VACUUM EXHAUST AND VENTURI

4.2.6 RINSING THE CATALYTIC CONVERTER WITH HOT WATER

Rinsing the catalytic converter with water may be necessary in situations where steam cleaning does not remove the particles or bad odours. This procedure requires heavy lifting and a facility where spillage of water is acceptable. Make sure to perform steps 1–4 in the “Cleaning the flue terminal” procedure and follow the steps as follows.

1. Place the toilet where it is OK to spill water, e.g. where there is a suitable drain, outside or in a bath. Use the specially designed Cinderella funnel, or a funnel that fits in the exhaust pipe. Tilt the toilet forward and pour 2–3 L of hot water through the exhaust pipe and catalyst. The excess water should be clean at the end of the rinsing process. If necessary, use more water to properly clean the system.
2. Repeat step 1 4–5 times until the water is clean and no crystals or other obstructions can be spotted when inspecting the catalyst (see section 4.2.4).
3. Reconnect the appliance to the flue pipe and power supply.
4. Install the ash container and front cover.
5. Perform the performance test as described in section 2.8.



NOTE!

Before disconnecting the appliance and rinsing the system with hot water, inspect the catalytic converter and perform steam cleaning in accordance with section 4.2.2. If the catalytic converter is still clogged, or odour is still noticeable when incinerating, perform the system rinsing in accordance with section 4.2.6.



CAUTION!

The front of the outer shell is thin and should therefore not be allowed to carry the entire weight of the toilet. Tilt the appliance gently, and make sure that the toilet is placed in such a position as to protect the toilet shell. It is advised that two people perform this operation together, one holding the toilet while the other rinses the catalytic converter.

5. TROUBLESHOOTING AND FAQ



WARNING!

Service must be performed in accordance with all state, municipal and local codes. If you are unsure of the regulations in your area, please contact your nearest dealer or service representative for further instructions. The power should be disconnected when performing all servicing and maintenance on the toilet.

Online troubleshooter module

The sound and light signals on the toilet control panel indicate the operating status of the toilet. Downtime and faults in the toilet will be notified with various sound and light signals as described in section 5.1 in this manual. We have gathered the most common errors and problems in a online troubleshooter, so that you can easily get answers to what is wrong with your toilet, and get suggestions on how you can solve the problem yourself.

Out of gas

Failure to incinerate properly and a flashing yellow display light may indicate that the propane tank is empty and must be refilled or replaced.

Resetting the toilet system

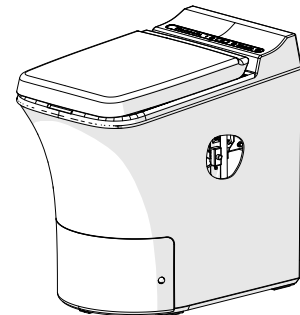
During cleaning and troubleshooting, resetting the electronics may sometimes be helpful. You can do this by pressing the "Start" button. This will cause a short beep to sound. Hold down the button for about eight seconds until you hear a long beep, then release the button.

Error messages

When lights are flashing, you should look for the reason, and fix the problem before using the toilet. You must take immediate action in the event of any irregularities such as odours, poor incineration or system failures, in order to avoid damage and unnecessary repair costs.

Triggered bimetal thermostat

The bimetal thermostat is triggered if the internal temperature in the toilet is too high. This will normally occur if there is a lack of air flow, or restriction in the inlet or outlet section of the installation. It is therefore important that you check that the intake air is in accordance with the specifications, and that the flue vent is open and free of obstacles. Visually check the catalytic converter and perform the steam cleaning procedure in accordance with section 4.2.2. To reset the thermostat, unscrew the plastic screw on the side of the appliance, press the button and screw back in.



During a power outage

If an incineration process is ongoing during a power outage, you may experience temporary odours from inside the toilet and smoke and odours from the flue pipe outside. Since the incineration will not automatically restart when the mains power returns, you must manually start a new incineration cycle. If the power outage is expected to last for longer than two hours, it is important that you empty any waste from the toilet, as this could damage the toilet if it remains there for a longer period of time. Never use the toilet during a power outage.

Odours in the room

Odours can have several causes:

1. Failure to use a bowl liner each time the toilet is used or improper use of the liner.
2. The airflow may be blocked. Inspect the flue pipe and flue termination cap.
3. Check that the installation has been performed in accordance with the installation manual. Too much restriction in the flue pipe could cause back pressure and cause odours inside.
4. The exhaust pipe may be clogged. See section 4.3.1.
5. The catalyst may be clogged. See section 4.3.1.
6. The outlet pipe is not properly fixed to the toilet. See section 2.5.1.

Odours outside

The causes may be the same as for inside the room, or:

1. The catalyst has not reached operational temperature. When the toilet is cold it can take a few minutes before the catalyst reaches the temperature where it starts to function properly.
2. The catalyst may be corroded or deformed. Contact your servicing provider.

5.1 TROUBLESHOOTING TABLE

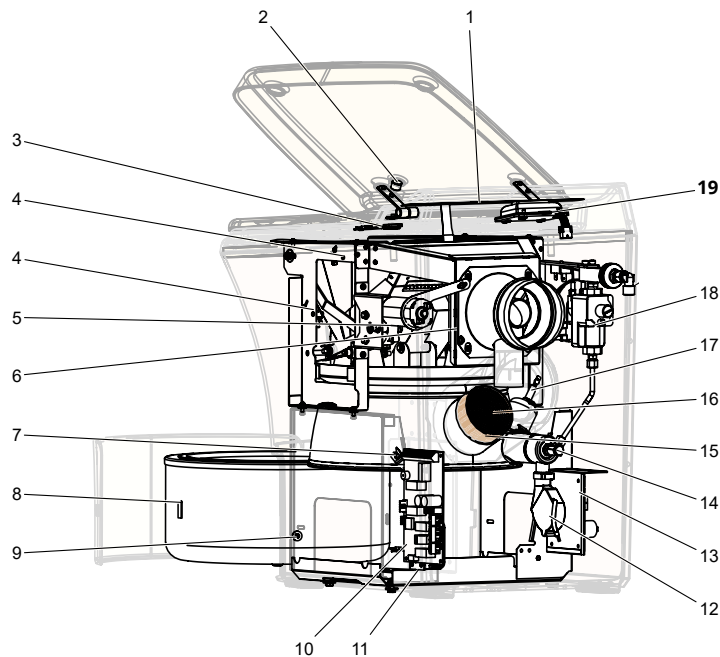
**NOTE!**

Cinderella has developed a digital troubleshooting module that can be found on our website. This module will work as a guide and supplement in addition to the troubleshooting table. Please visit www.cinderellaeco.com

ERROR	DISPLAY MESSAGE	RED LIGHT	YELLOW LIGHT	GREEN LIGHT	SOUND	ACTIONS
Ash container should be emptied	Empty the ash container	FLASHING alternately	FLASHING alternately	STEADY ON	3 BEEPS	1 Remove and empty the ash container * Toilet must be connected to 230 V
Ash container must be emptied. Toilet locked	Toilet locked container full	STEADY ON	STEADY ON	STEADY ON	3 BEEPS 10 SECONDS APART	1 Remove and empty the ash container * Toilet must be connected to 230 V
No power	Blank screen	OFF	OFF	OFF		1 Make sure that the toilet is connected to power, 230 V AC
Ventilation fan error	Error fan	FLASHING	OFF	FLASHING	10 BEEPS	1 Check fan for obstructions and ensure that fan is rotating properly 2 Reset toilet (hold down "Start") 3 Open lid until red light flashes, close lid and press "Start". If error persists, call support
Malfunctioning hatch mechanism	Error hatch mechanism	FLASHING	OFF	STEADY ON	10 BEEPS	1 If toilet is warm, reset toilet 2 Open lid until red light flashes, close lid and press "Start" 3 If unsuccessful, reset toilet, insert a bowl liner and pour 3 cups of water into the liner, close lid and press "Start" 4 If unsuccessful, wait until the toilet has cooled (fan stopped) 5 Restart toilet and open lid when the hatch is opening. Remove stuck items manually. If problem persists, call support
Ash container out of position	Ash container is out of position	FLASHING	FLASHING	STEADY ON	3 BEEPS	1 Adjust the position of the ash container, rotate the handle to the left side 2 Check that the stop pin on the container is intact 3 Visually check the condition of the magnet on the container. If problem persists, call support
Heating circuit interrupted	Error burner system	OFF	FLASHING	STEADY ON	CONTINUOUS BEEPS	1 Reset the toilet 2 Check bimetal thermostat on right-hand side of toilet. Unscrew grey plug and push on fuse inside with finger: do not use any sharp objects 3 If the fuse was triggered, you will hear a click. See section 5 4 If the fuse was not the problem, restart toilet and try to start toilet. Repeat a couple of times. If problem persists, call support
Toilet lid sensor is triggered	Lid is open	FLASHING	OFF	STEADY ON	NONE	1 Check the magnet situated inside the toilet lid and close lid. If problem persists, call support
Malfunctioning temperature sensor	Error temp sensor	OFF	FLASHING	FLASHING	CONTINUOUS BEEPS	1 Reset toilet 2 Open lid until red light flashes, close lid and press "Start" 3 If failure persists, call support
Unreadable / no display message	Unreadable / blank screen					1 Unplug toilet and wait 5 minutes 2 Plug in toilet and restart toilet 3 If problem persists, call support

6. REPAIRS AND SPARE PARTS

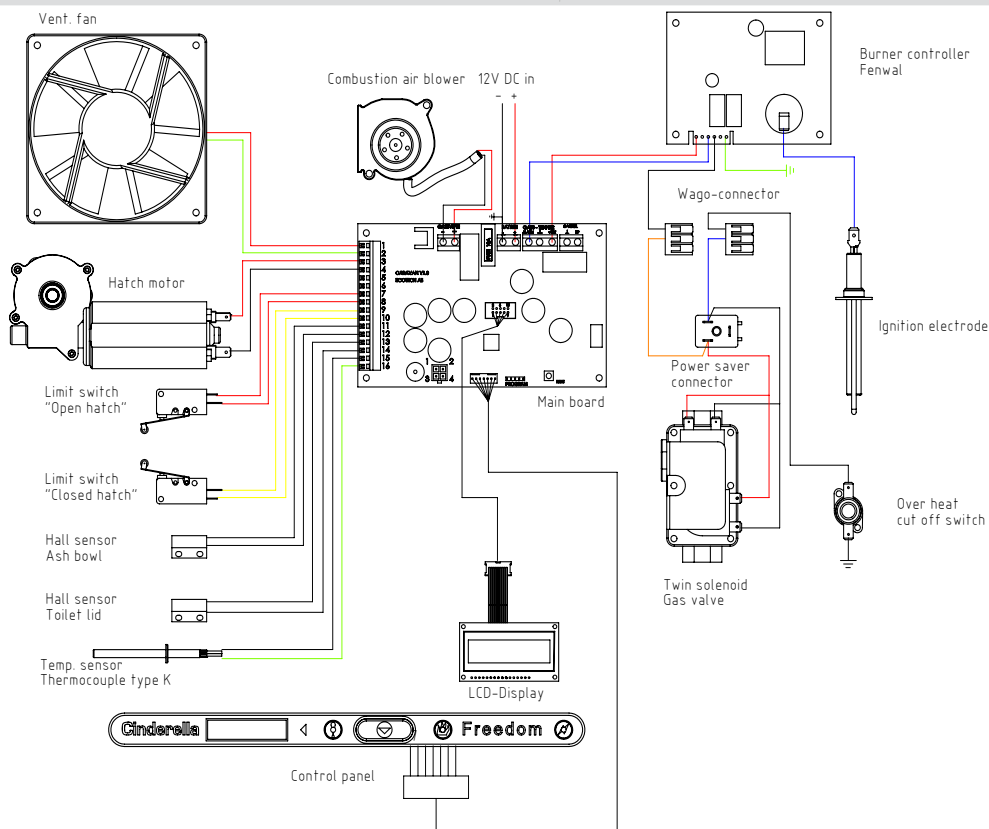
6.1 SPARE PARTS LIST



ID	PART DESCRIPTION	ART. NO
1	Control panel	100981
2	Magnet 14x10 mm	100433
3	Hall sensor w/ wire and tape L = 330 mm	100964
4	Micro switch	101127
5	Motor Nidec 12/24 V DC	101177
6	Fan axial 12 V DC 119x38 mm	100154
7	Thermocouple assembly	100831
8	Stop bracket 9x26x12 mm	100017
9	Magnet 14x7 mm	100065
10	Circuit board gas	100989

ID	PART DESCRIPTION	ART. NO
11	Hall sensor	100228
12	Fan centrifugal 51x51x15	100542
13	Ignition unit Fenwal	100424
14	Gas nozzle 8" WC propane SM	101414
15	Insulation fabric 275x90x2 mm	100163
16	Catalytic converter 90x75 mm	100528
17	Ignition electrode	100196
18	Gas control - Maxitrol CV200	101224
19	Display LED 65 x 36 x 13	100401

6.2 WIRING DIAGRAM



7. Warranty

What does this Warranty cover?

This warranty covers defects in materials or workmanship in your Cinderella Incineration Unit on the terms, for the period and subject to the exceptions set out below.

What does this Warranty not cover?

This warranty does not cover normal wear and tear or damage caused by accidents (including fire, floods, hurricanes or acts of nature), abuse, misuse, failure to follow manufacturer directions or improper maintenance. Consequential and incidental damages are not recoverable under this warranty. Cinderella Eco Group does not apply an "on-site" warranty. This means that the toilet must be transported to an Authorised Service Provider who can perform the service. If this is not possible, a transport or travel cost may be charged by the dealer.

How long does the Warranty apply?

This warranty lasts for a period of three (3) years from the original date of purchase for regular customers. Professional users are granted a one (1) year warranty.

What will Cinderella Eco Group do?

If you submit a valid claim under this warranty, Cinderella Eco Group will either repair, replace or refund the purchase price of your Cinderella Incineration Unit, at its sole discretion.

How do I arrange a service?

To arrange a service, contact your Sales dealer or an Authorised Service Provider in your country. Available service options are dependent on the country in which service is requested.

You may be required to furnish proof-of-purchase details when making a claim under this warranty. For further warranty information, please refer to our website: www.cinderellaeco.com

Cinderella Eco Group AS

Sjøvikvegen 67, NO-6475 Midsund, Norway
www.cinderellaeco.com

INNHold

1. GENERELT	3
1.1 INNLEDNING	3
1.2 BRUK I HENHOLD TIL FORSKRIFTER	3
1.3 BRUKSANVISNING	3
1.4 ANSVARSBEGRÆNSNING	3
1.5 GODKJENNINGER OG SERTIFISERINGER	3
1.6 MILJØKRAV	3
1.7 GENERELLE SIKKERHETSINSTRUKSER	4
1.8 TYPESKILT	5
1.9 CINDERELLA PÅ NETT	5
2. INSTALLASJON	6
2.1 UTPAKKING AV TOALET OG TILBEHØR	6
2.2 SPESIFIKASJONER FOR MÅLING	6
2.3 ORIGINALE INSTALLASJONSPAKKER FOR CINDERELLA TOALET	7
2.4 SPESIFIKASJONER FOR INSTALLERING	8
2.4.1 SPESIFIKASJONER FOR DELER OG MATERIALER	8
2.5 INSTALLASJON AV CINDERELLA FORBRENNINGSTOALET	8
2.5.1 INSTALLASJON AV AVTREKKSØR	9
2.5.2 INNTAKSLUFTKOBLING	10
2.5.3 INSTALLASJON AV DEN ORIGINALE CINDERELLA-PIPEHATTN	11
2.5.4 GASSINSTALLASJON	11
2.6 ELEKTRISKE SPESIFIKASJONER OG KRAV	12
2.7 FJERNING AV SIKKERHETSSTROPPE ETTER TRANSPORT	12
2.8 SJEKKLISTE FOR Å VERIFISERE KOMPLETT INSTALLASJON	13
2.9 YTELSESTEST FOR Å VERIFISERE SYSTEMETS FUNKSJON	13
3. BRUK	14
3.1 BRUKSOMRÅDE OG HÅNDTERING	14
3.2 GENERELL SIKKERHET	14
3.3 SIKKERHET VED DRIFT MED GASS	14
3.4 SIKKER DRIFT	14
3.5 SIKKERHETSFUNKSJONER PÅ CINDERELLA FREEDOM	14
3.6 VIKTIG INFORMASJON OM BRUK	15
3.7 BETJENINGSPANELET	16
3.8 BRUK AV CINDERELLA FREEDOM-TOALET	17
3.9 BETJENING AV FRONTDEKSELET OG ASKEBEHOLDEREN	18
4. GENERELLE VEDLIKEHOLDSINSTRUKSER	19
4.1 FORBRENNINGSRESTENES EGENSKAPER	19
4.2 BRUKERVEDLIKEHOLD	20
4.2.1 TØMMING OG RENGJØRING AV ASKEBEHOLDEREN	20
4.2.2 DAMPRENGJØRING AV KATALYSATOREN	20
4.2.3 RENGJØRING AV SKÅLEN	21
4.2.4 INSPEKSJON OG RENGJØRING AV KATALYSATOREN MED STØVSUGER	22
4.2.5 RENGJØRING AV TOALETETS AVTREKSKOBLING	22
4.2.6 SKYLLING AV KATALYSATOREN MED VARMT VANN	23
5. FEILSØKING OG SVAR PÅ VANLIGE SPØRSMÅL	24
5.1 FEILSØKINGSTABELL	25
6. REPARASJONER OG RESERVEDELER	26
6.1 RESERVEDELSLISTE	26
6.2 KOBLINGSSKJEMA	26
7. GARANTI	27

1. GENERELT

1.1 INNLEDNING

Det er viktig å sørge for riktig ventilasjon i samsvar med retningslinjene i denne håndboken, for å garantere funksjonaliteten til det nye Cinderella-toalettet ditt. Feil installasjon kan medføre funksjonsfeil, slitasje og/eller lukt og vil gjøre garantien ugyldig. De tekniske og administrative forskriftene som gjelder i landet der produktet installeres, må overholdes.

1.2 BRUK I HENHOLD TIL FORSKRIFTER

Dette produktet er laget for å forbrenne kroppslige avfallsprodukter og små sanitærartikler som toalettpapir og alkoholfrie våtservietter.

Produktet må ikke installeres i en mobil eller transportabel installasjon som en bobil, en campingbil eller en campingvogn.

1.3 BRUKSANVISNING

Les denne håndboken grundig før installasjon og første gangs bruk. Oppbevar håndboken på et trygt sted, slik at du kan slå opp i den ved behov. Hvis du gir forbrenningstoalettet videre til andre, skal du overlevere denne håndboken sammen med toalettet.

Håndboken gir deg den veiledningen du trenger for å installere, håndtere og vedlikeholde produktet på riktig måte. Det er viktig at både installatøren og brukeren gjør seg kjent med instruksene i håndboken. Håndboken inneholder også informasjon om profesjonelt vedlikehold og nødvendige opplysninger for service og reparasjoner.

Ytterligere informasjon og en digital versjon av dette dokumentet finnes på www.cinderellaeco.com

1.4 ANSVARSBEGRENSNING

Produsenten påtar seg ikke noe ansvar for skader i følgende tilfeller:

- feilaktig installasjon
- skade på produktet som følge av feil tilkoblingsspenning
- endringer av produktet uten uttrykkelig tillatelse fra produsenten
- bruk til andre formål enn det som er beskrevet i håndboken
- manglende overholdelse av instruksene for bruk og vedlikehold
- anvendelse i strid med forskrifter eller bestemmelser
- bruk av ikke-originale papirposer og reservedeler

1.5 GODKJENNINGER OG SERTIFISERINGER

Cinderella Freedom er grundig testet av DBI og SLG i henhold til den europeiske standarden for gassikkerhet og elektromagnetisk kompatibilitet.

1.6 MILJØKRAV

- Omgivelsestemperatur: -20–40 °C
- Høyde over havet: Testet opptil 1500 m



FORSIKTIG!

Når Cinderella-toalettet er installert, må minimumsavstanden til brennbare overflater/konstruksjoner være 50 mm fra sidene og 50 mm fra baksiden.

1.7 GENERELLE SIKKERHETSINSTRUKSER



FARE!

Sikkerhetsinstruks: Manglende overholdelse av denne instruksen kan føre til alvorlig personskade eller død.



ADVARSEL!

Sikkerhetsinstruks: Manglende overholdelse av denne instruksen kan føre til personskade.



FORSIKTIG!

Manglende overholdelse av denne instruksen kan føre til materiell skade og forringelse av produktets funksjon.



OBS!

Tilleggsinformasjon angående bruk av produktet.



FARE!

- Ikke spray aerosoler i nærheten av dette produktet når det er i bruk.
- Ikke bruk eller lagre brennbare materialer i eller i nærheten av dette produktet.
- Ikke plasser ting på eller opp mot dette produktet.
- Ikke gjør endringer på produktet.



- Ikke bruk forbrenningstoiletet hvis det er synlig skadet.
- Hvis DC-strømkabelen til toalettet er skadet, må den skiftes ut av produsenten, kundeservice eller en tilsvarende kvalifisert person for å unngå sikkerhetsrisiko.
- Bruk aldri en åpen flamme til å sjekke toalettets gasskoblinger for lekkasje.
- Dette toalettet skal bare repareres av kvalifisert personell. Mangelfulle reparasjoner kan medføre alvorlig risiko.
- Bruk bare LPG-gass.
- Bruk toalettet bare med trykket som er angitt på typeskiltet på baksiden av toalettet.



ADVARSEL!






- Klemfare! Ikke plasser hånden på hengslet eller under toalettsetet mens det er åpent. Det er ingen myk lukkefunksjon på lokket eller setet.
- Ikke tøm askebeholderen mens den er varm.
- Forsikre deg om at strømkabelen og støpselet er tørre før du aktiverer toalettet.



- Hold alltid rundt toalettetskallet når du flytter eller transporter toalettet, og løft det aldri etter gasskoblingen, strømkabelen, frontdekselet, lokket, setet eller utløpsstussen.
- Kontroller at spenningsspesifikasjonen på typeskiltet stemmer overens med den til energiforsyningen.
- Bruk bare strømkabler med egnet tverrsnitt.
- Fare for overoppheting! Sørg alltid for tilstrekkelig ventilasjon, slik at varmen og utslippene som oppstår ved forbrenning, kan spre seg fra avtrekksrøret. Sørg for tilstrekkelig luftstrøm til systemet. Sørg alltid for tilstrekkelig ventilasjon inn i toalettet.
- Forsikre deg om at toalettet står langt nok unna vegger og andre gjenstander til at luft kan sirkulere.

1.8 TYPESKILT

Typeskiltet finner du på bakplaten til forbrenningstoiletet. På typeskiltet finner du toalettets modellnavn, serienummer og tekniske spesifikasjoner samt kontaktinformasjon. Du trenger disse opplysningene for å kontakte kundeservicesenteret eller bestille reservedeler.

<p>MANUFACTURER</p>  <p>Cinderella Incineration Toilets</p> <p>CINDERELLA ECO GROUP AS Sjøvikvegen 67, 6475 Midsund, NORWAY For sales and support call +4777711500 or visit our web www.cinderellaeco.com</p> <p>CINDERELLA FREEDOM MODEL: PM02CS03EU SERIAL:</p>	<p>Appliance Specifications</p> <p>VOLTAGE..... 12V DC CURRENT 4 A GAS:..... PROPANE FAN BLOWER:..... 12V DC GAS SUPPLY PRESSURE: 30 mBar CAPACITY..... 3-4 PEOPLE PR. HOUR CONNECTED LOAD 425 G/H EFFECT..... 2.86 kW EXHAUST SYSTEM CONSTRUCTION -B22 DEVICE CATEGORY 13 B/P YEAR OF MANUFACTURING..... 2021 DESIGNED FOR..... HOME/CABINS, SANITATION WELFARE UNIT</p>	   
	<p>For information on how to claim warranty, support and recycle our product visit www.cinderellaeco.com</p>	

1.9 CINDERELLA PÅ NETT



REGISTRER DEG FOR «MY CINDERELLA»

Når du registrerer toalettet ditt i «My Cinderella», mottar du relevant informasjon om produktene våre og tilgjengelige støttesystemer samt spesialtilbud tilpasset toalettmodellen. Registrerte toaletter ligger i databasen vår i tilfelle tyveri.

Feilsøking på nettet

En komplett veiledning til toalettet ditt, med nyttige råd og brukerforbedringer, slik at du kan løse de vanligste problemene på egen hånd uten å måtte be om hjelp.

Enkel tilgang til informasjon

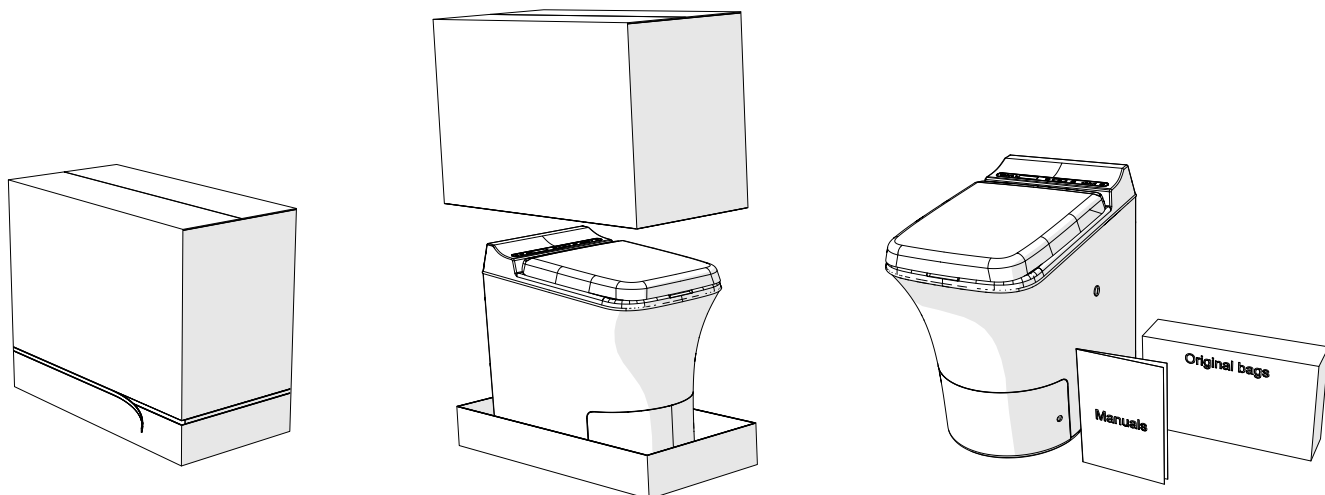
Du kan laste ned produkt dokumentasjon fra dokumentasjonssenteret vårt på nettet, der du finner produkt-håndbøker, servicehåndbøker og en håndbok om demontering av kasserte elektriske og elektroniske produkter (EE-avfall).

Service og reservedeler

Velg land og motta en liste over lokale forhandlere hvor du kan få service og reservedeler.

2. INSTALLASJON

2.1 UTPAKKING AV TOALET OG TILBEHØR



OBS!

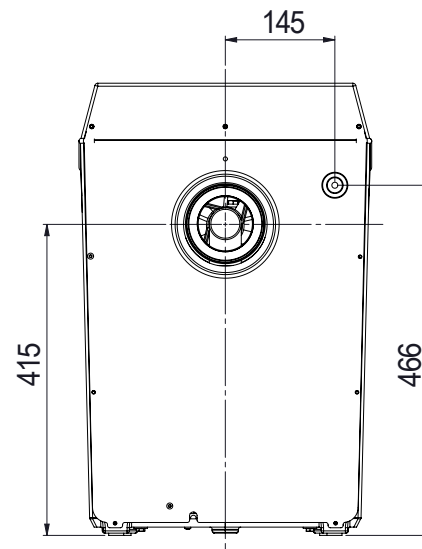
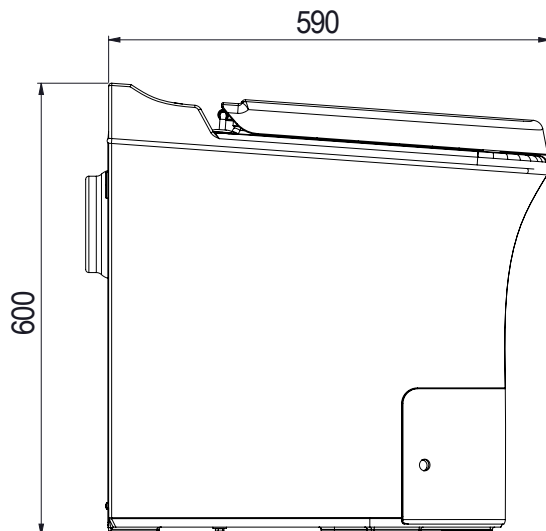
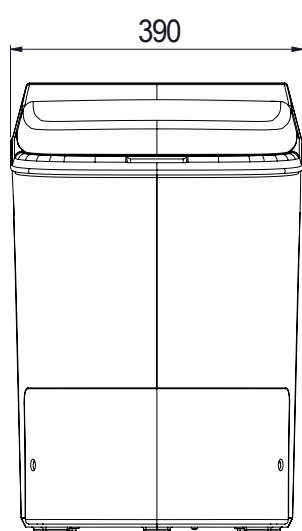
Når du pakker ut Cinderella-toalettet, bruk remsen som er festet langs bunnen av kassen. Trekk av remsen rundt hele kassen og løft kassen av.

INKLUDERTE ARTIKLER	ANT.
Cinderella PM02CS03	1
Papirposer	100
Produkt håndbok	1

2.2 SPESIFIKASJONER FOR MÅLING

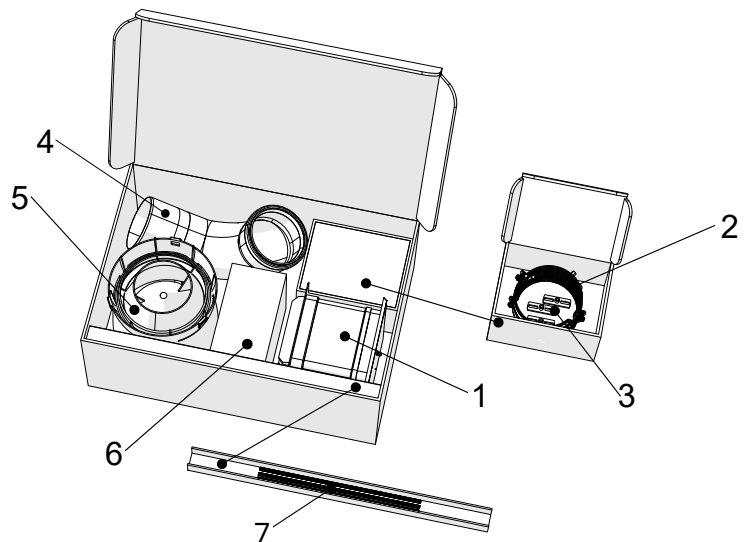
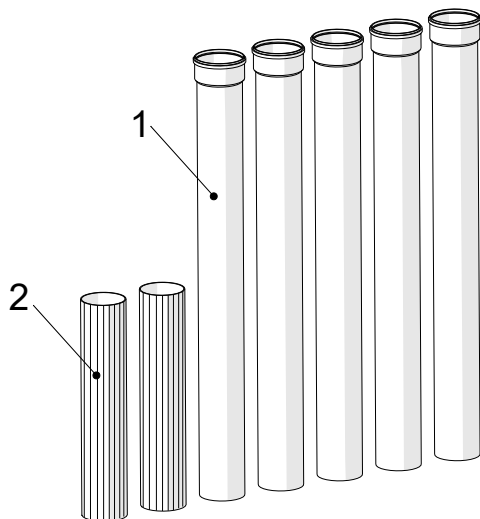
Høyde	600 mm
Sittehøyde	540 mm
Bredde	390 mm

Dybde	590 mm
Høyde senter utløp	415 mm



2.3 ORIGINALE INSTALLASJONSPAKKER FOR CINDERELLA TOALET

Cinderella originalt installasjonssett: Vi anbefaler på det sterkeste at du bruker «Cinderella originalt installasjonssett» når du installerer toalettet ditt. Dette komplette settet inneholder deler som er nødvendige for en ideell installasjon, og optimaliserer forbrenningsprosessen og funksjonaliteten til toalettet. Installasjonssettet består av to kasser. Kasse nr. én inneholder en optimalisert pipehatt og et 87 grader bend som øker systemets strømningshastighet og forbrenningseffektivitet, samt en spesialdesignet luftventil på 201 cm² for optimalisert funksjon. Settet inneholder også klemmer for å støtte rørinstallasjonen. Kasse nr. to inneholder sju 110 mm UV-stabiliserte PP-rør av høy kvalitet for installering av avtrekk.



CINDERELLA ORIGINALT INSTALLASJONSSETT		ANT.
1	Hann-hunn 1066 mm avtrekksrør	5
2	Hann-hann 500 mm avtrekksrør	2

CINDERELLA ORIGINALT INSTALLASJONSSETT		ANT.
1	Luftventil 160 mm (201 cm ²)	1
2	Rørklemme	3
3	Veggbrakett	3
4	Bend 87 grader m/kondenskobling	1
5	Pipehatt	1
6	Regulatorsett 30m/bar	1
7	Gjengestang 30 mm	3

*Kun Norge og Sverige.



OBS!

- Denne håndboken forklarer og illustrerer hvordan du installerer toalettet optimalt, ved bruk av de medfølgende delene i det originale Cinderella-installasjonssettet. Hvis du vil installere Cinderella-toalettet ditt med andre rør og deler enn de originale fra oss, må du forsikre deg om at de samsvarer med spesifikasjonene angitt under avsnitt 2.4.1 «Spesifikasjoner for deler og materialer».
- For å garantere at Cinderella forbrenningstoalett fungerer som det skal, er det viktig å sørge for riktig ventilasjon i samsvar med retningslinjene i denne håndboken. Installasjoner som avviker fra produsentens spesifikasjoner, eller bruk av ikke-godkjente deler i installasjonen av produktet, vil forårsake funksjonsfeil, slitasje eller lukt og gjøre garantien ugyldig.

2.4 SPESIFIKASJONER FOR INSTALLERING

2.4.1 SPESIFIKASJONER FOR DELER OG MATERIALER

ARTIKKEL	SPESIFIKASJONER
Ventilasjonsrør	Cinderella Freedom skal installeres med 110 mm rør med glatt innvendig overflate og minimum indre diameter på 102 mm. Rørmaterialet må være spesifisert for temperaturer over 100 °C og fortrinnsvis av PP- eller CPVC-type. Vi anbefaler på det sterkeste å bruke originale Cinderella PP-kvalitetsrør.
87 grader bend (avtrekksluft)	Cinderella Freedom skal installeres med et jevnt buet 87 grader bend som begrenser luftstrømmen minimalt. Vi anbefaler på det sterkeste å bruke det originale Cinderella bend 87° med avtapping.
Pipehatt	Cinderella Freedom skal installeres med en pipehatt som hindrer inntrenging av regnvann og begrenser luftstrømmen minimalt. Vindvifter eller lignende skal ikke brukes til ventilasjon av Cinderella forbrenningstoalett. Vi anbefaler på det sterkeste å bruke den originale Cinderella-Pipehatten.



OBS!

- Innsiden av ventilasjonsrøret skal være glatt og ikke preget eller rillet.
- Bruk aldri netting i ventilasjonsrøret, det kan begrense luftstrømmen i systemet.
- 87 grader bendet må være tilgjengelig når det er installert, slik at avtappingsrøret kan spyles og avtrekksrøret rengjøres.
- Cinderella Freedom er testet for bruk i bad/våtrom (IP 34-klassifisert), men det må ikke sprutes vann over toalettets utvendige deler.
- Toalettet skal monteres på et fast og jevnt underlag og kan installeres på gulv med varme.

2.5 INSTALLASJON AV CINDERELLA FORBRENNINGSTOALETT

Det er viktig å sørge for riktig ventilasjon i samsvar med retningslinjene i denne håndboken, for å garantere funksjonaliteten til det nye Cinderella-toalettet ditt. Feil installasjon kan medføre funksjonsfeil, slitasje eller lukt og vil gjøre garantien ugyldig. Les hvert enkelt kapittel grundig før du begynner å installere toalettet. Forsikre deg om at arbeidet utføres av fagfolk i samsvar med lokale forskrifter.



FORSIKTIG!

- Overhold gjeldende tekniske og administrative forskrifter i landet der produktet installeres. Vi anbefaler at du kontakter den lokale forhandleren for å få hjelp til planlegging og installering av Cinderella-toalettet ditt.
- Bruk aldri bend i tillegg til 87 grader bend.
- Hvis røret føres gjennom taket, må du sørge for at det gjøres i samsvar med byggeforskriftene.
- Ikke bruk fleksible kanaler eller rør når du installerer Cinderella-toalettet.
- Koble aldri mer enn ett toalett til avtrekksrøret.

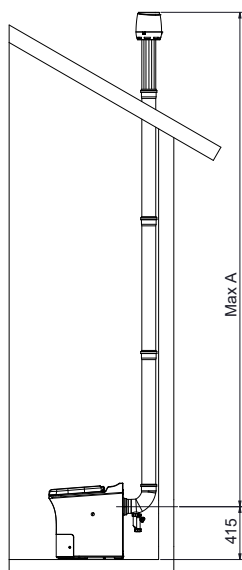


ADVARSEL!

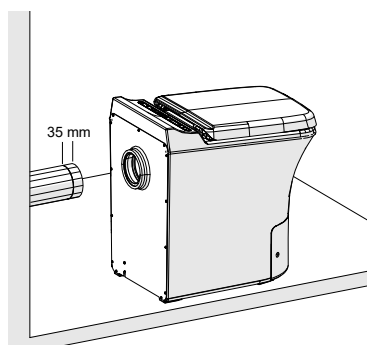
Før du skjærer hull, kontroller alltid at du ikke risikerer å skade elektriske ledninger eller vannrør.

2.5.1 INSTALLASJON AV AVTREKKSØR

DIAMETER AVTREKKSØR	AVTREKKSRETNING	REFERANSE	BEND	MAKSIMAL RØRLENGDE
110 mm	Vannrett avtrekksrør	C	(Ikke tillatt)	1,0 m
110 mm	Loddrett avtrekksrør	A	Ingen	5,0 m

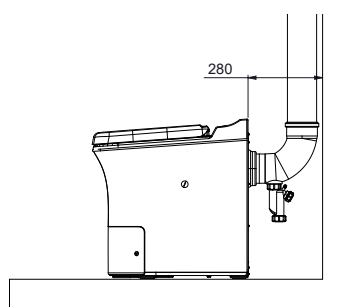


OBS!
Senteret av avtrekkskoblingen på toalettet er 415 mm fra gulvet.



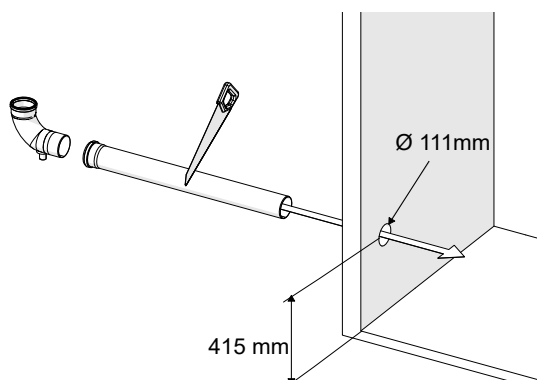
OBS!

Når du justerer rørlengden, må du være oppmerksom på at røret skal gå 35 mm inn i avtrekkskoblingen på toalettet, og ta hensyn til dette i planleggingen av installasjonen.



OBS!

Vær oppmerksom på at hvis du installerer røret loddrett rett opp fra toalettet, må minimumsavstanden mellom veggen og toalettet være 280 mm.

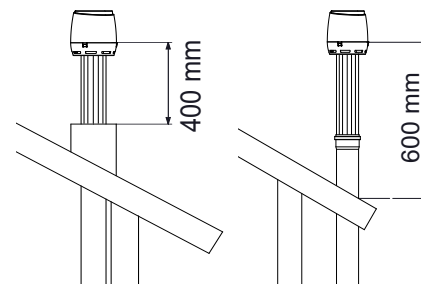


OBS!

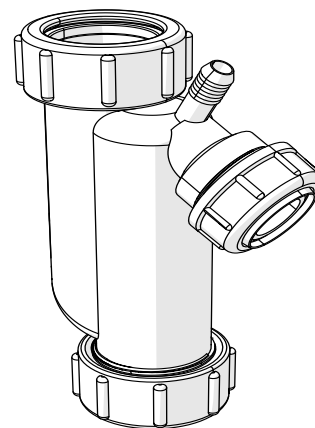
Det originale Cinderella-installasjonssettet inneholder fem 1066 mm rør til bruk i avtrekksinstallasjonen. Rørene leveres med rørmuffe og pakning for enkel montering. Når du installerer røret på ytterveggen, må du føre inn røret fra utsiden av veggen.

**OBS!**

- Røret skal alltid monteres loddrett over taket og strekke seg minst 600 mm over overflaten på taket. Hvis avtrekksrøret skal bygges inn (f.eks. i metallkledning), må du sørge for at enden av røret strekker seg minst 400 mm over kledningen.
- Hvis røret blir installert der det sannsynligvis vil samle seg snø, kan det være nødvendig å forlenge røret ytterligere og sikre det tilsvarende. Unngå å overstige maksimalt tillatt rørlengde.

**OBS!**

Cinderella leverer en spesialkonstruert «vannlås» som passer på 87 grader bendet som følger med i installasjonssettet, og som kan kjøpes som tilbehør hos alle Cinderella-forhandlere. Hvis installasjonen gjøres fra innsiden, må du koble vannlåsen til 87 grader bendet for å hindre at kondens og regnvann renner ned på gulvet. Manglende oppsamling og tømning av kondensvann kan føre til skade på gulvet.

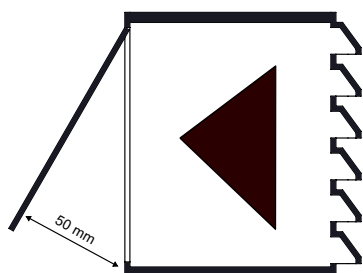


2.5.2 INNTAKSLUFTKOBLING

En luftventil i samsvar med produsentens spesifikasjoner, er påkrevd for å sikre tilstrekkelig luftsirkulasjon og nødvendig oksygen til korrekt forbrenning. Cinderella originalt installasjonssett inneholder en spesialdesignet luftventil som er konstruert for optimal flyt og økt produkteffektivitet. Inntaksluftventilen skal helst monteres så nært Cinderella-toalettet som mulig, for å sikre god lufttilførsel til toalettet og redusere | i toalettrommet. Det er viktig at det ikke blir brukt noen andre luftavhengige installasjoner, for eksempel en avtrekksvifte eller en peis, samtidig med toalettet. Cinderella Freedom trekker inn luft hovedsakelig fra undersiden av toalettet, så luftinntaket kan plasseres under toalettet. Dette gjør det mulig å isolere luften mest mulig i toalettet og redusere miljøpåvirkning i toalettrommet.

**OBS!**

- Minstemålet for inntaksventilen er 160 mm (diameter) / 201 cm².
- Ventilene skal alltid være åpne mens toalettet er i bruk. Husk å rengjøre ventilen med jevne mellomrom.
- Pass på at det ikke oppstår noen konflikt mellom toalettets lufttilførsel og andre installasjoner, for eksempel en peis eller en avtrekksvifte.
- Unngå å bruke en separat ventilasjonsvifte eller lignende for å trekke ut luft fra rommet der Cinderella Freedom-toalettet er installert, mens toalettet er i bruk.
- Hvis du har åpen ventilasjon under toalettet, kan det være tilrådelig å legge netting over hullet for å hindre at insekter og skadedyr kan komme inn i toalettet. Pass på at nettingen ikke er for fin. Maskevidden bør være minst 5 mm, mindre masker vil hindre luftstrømmen.

**OBS!**

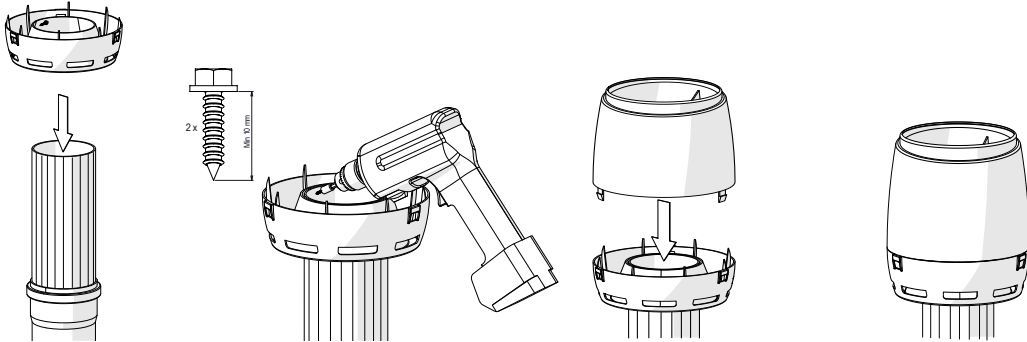
Hvis den installerte luftventilen har en regulerbar åpning, skal du sørge for at den alltid står åpen med minst 75 mm (to klikk) når toalettet er i bruk.

2.5.3 INSTALLASJON AV DEN ORIGINALE CINDERELLA-PIPEHATTEN



OBS!

Cinderella originalt installasjonssett inneholder en pipehatt som er konstruert for optimal flyt og økt produkteffektivitet. Hatten består av to deler, og den nedre delen kan festes til avtrekksrøret med rustfrie skruer eller lim for enkel tilkobling og demontering ved vedlikehold av røret. Bruk et rør på 500 mm (inkludert i Cinderella-installasjonssettet) som siste seksjon av avtrekksrøret, for å kunne montere pipehatten.



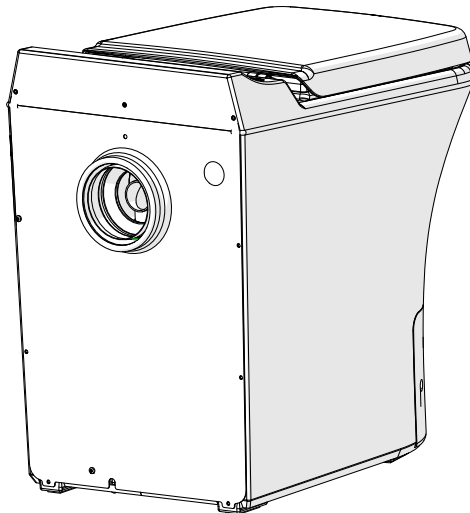
2.5.4 GASSINSTALLASJON

Når du kobler gass til toalettet, må du passe på å bruke riktig gassregulator for ditt område. Tilkoblingen på apparatet er av typen ¼" NTP.



ADVARSEL!

- Bruk toalettet bare med trykket som er angitt på typeskiltet på baksiden av toalettet.
- Bruk toalettet bare med den typen gass som er angitt på typeskiltet på baksiden av toalettet.
- Toalettet er bare egnet for installasjon innendørs.



SPESIFIKASJONER	VERDI	NOTATER
Drivstofforbruk	160-190 g	Per forbrenning
Tilførselsgasstrykk	30 mbar	
Gasstype	LPG	
Gasstilkobling, toalett	G ¼" LH	
Åpningens størrelse	1 mm	

2.6 ELEKTRISKE SPESIFIKASJONER OG KRAV

Det må tilføres riktig spenning, frekvens og strømstyrke fra en egen, jordet krets som er beskyttet av en riktig dimensjonert automatsikring. Riktig spenning, frekvens og strømstyrke fremgår av denne håndboken og typeskiltet på baksiden av toalettet. Merk: Dette toalettet trenger en strømforsyning på 12 V DC 4 A. Hvis du skal bruke det med en vanlig 240 V AC-stikkontakt, må du be forhandleren om en godkjent strømforsyning.

Strømkrav	TILFØRT EFFEKT	STRØMSTYRKE	SIKRING
	12 V DC (11–14,4 V)	4 A	10 A
Strømforbruk	DVALEMODUS	HVILEMODUS	FORBRENNINGSMODUS
	0,005 A	0,09 A	1,3 A
Tilkoblingspolaritet	TVERRSNITT	POSITIV	NEGATIV
	2 mm ²	Rød	Svart

Man må unngå å koble sammen de respektive negative og positive kablene til DC-koblingen, da dette kan forårsake elektrisk interferens og skade på elektriske komponenter. 12 V-forsyningen skal kobles på egen krets direkte til batteriet, med en 10 A sikring i begynnelsen av kretsen. Bruk 12 V-kabelveiledningen for å beregne riktig kabelstørrelse i forhold til kabelens lengde.

12 V-KABELVEILEDNING						
Ampere	1 m	2 m	5 m	6 m	8 m	10 m
4	2 mm ²	2 mm ²	2 mm ²	4 mm ²	4 mm ²	4 mm ²

Når du kobler toalettet til DC-strømforsyningen, må du

- forsikre deg om at kablen er dimensjonert for forventet last i kretsen, inkludert en sikkerhetsmargin
- forsikre deg om at kabelverrsnittet er dimensjonert for tiltenkt kabellengde, og at kablen ikke vil redusere spenningen
- alltid kontrollere polariteten til kablene før du kobler til (skader på grunn av feil polaritet dekkes ikke av garantien)



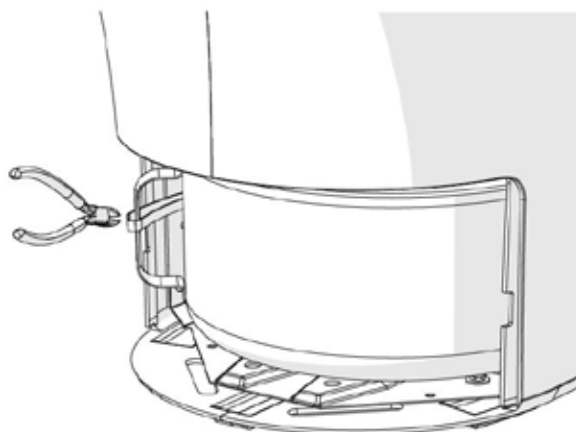
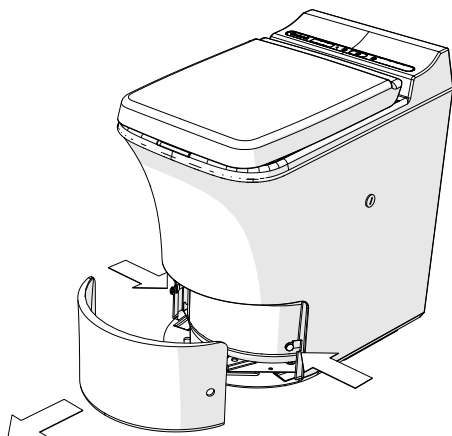
OBS!

- Tilkoblingskablen skal legges slik at den ikke kommer i kontakt med skarpe kanter.
- Endringer av den innvendige elektriske installasjonen eller tilkoblingskablen må utføres av en faglært elektriker eller tilsvarende kvalifisert person for å unngå sikkerhetsrisiko.

2.7 FJERNING AV SIKKERHETSSTROPPEN ETTER TRANSPORT

Askebeholderen er utstyrt med en sikkerhetsstropp som må fjernes før bruk:

1. Fjern frontdekselet.
2. Kutt og fjern plaststroppene som fester askebeholderen til stålrammen.



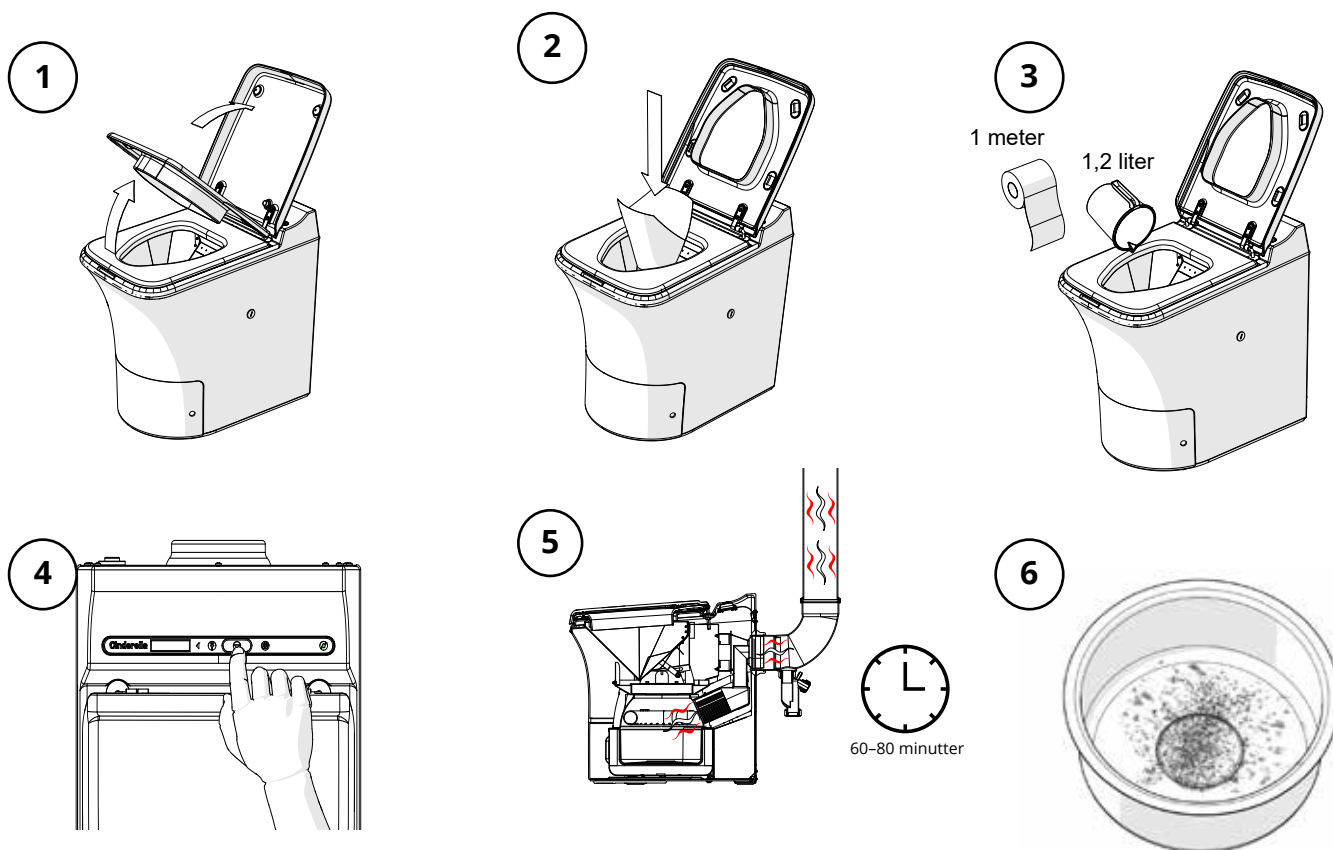
2.8 SJEKKLISTE FOR Å VERIFISERE KOMPLETT INSTALLASJON

SJEKKPUNKT	OK
Den tilkoblede spenningen er i samsvar med produktets typeskilt.	
Det tilkoblede gasstrykket er i samsvar med produktets typeskilt.	
Produktet er installert i henhold til produsentens spesifikasjoner.	
Avtrekkørsøret er installert i henhold til produsentens spesifikasjoner.	
Toppen av avtrekkørsøret er ikke mindre enn 600 mm over overflaten på taket.	
En vannlås med trygg avtapping er installert der det er sannsynlig at det kan dannes kondens.	
Avtrekkørsørmateriellet er installert i henhold til produsentens spesifikasjoner.	
Pipehatten er installert i henhold til produsentens spesifikasjoner.	
Inntaksluften er i samsvar med produsentens spesifikasjoner.	

2.9 YTELSESTEST FOR Å VERIFISERE SYSTEMETS FUNKSJON

Når «startknappen» trykkes inn, blir forbrenningscyklusen aktivert. Estimert forbrenningstid for verifiserings-testen er 60 til 80 minutter. Den gule lampen lyser mens forbrenningen pågår, og hele testen skal gjennomføres uten feilindikasjoner eller systemavbrudd. Toalettet må kjøles ned til viften har stanset før askebeholderen kan tas ut. Avkjølingsfasen kan ta fra 60 til 90 minutter, avhengig av omgivelsestemperatur.

Sluttproduktet skal være bare fint, hvitt støv. Et sluttprodukt som avviker fra dette, eller en forbrenningstid på over 90 minutter, kan indikere en delvis blokkering av avtrekkskanalen eller mangel på oksygen. Kontroller at installasjonen er i samsvar med produsentens spesifikasjoner, som fremgår av kapittel 2 i denne håndboken.



ADVARSEL!

Askebeholderen blir veldig varm under forbrenning. Ikke fjern frontdekselet før toalettet er helt avkjølt, og viften har stanset.



OBS!

- Ytelsestesten er utarbeidet for å utføres på toaletter som ikke har vært i bruk. Resultatene kan variere når testen utføres på brukte toaletter.

3. BRUK

3.1 BRUKSOMRÅDE OG HÅNDTERING

Cinderella Freedom-toalettet er beregnet på innendørs montering og bruk i fritidshjem som hytter og fritidsboliger samt i uthus, naust, bassenghus og sanitærfasiliteter, for eksempel på byggeplasser. Toalettet er utelukkende konstruert for å forbrenne kroppslige avfallsprodukter og små sanitærartikler som toalettpapir, bind og alkoholfrie våtservietter. Bruk av Cinderella Freedom til å brenne andre gjenstander anses som feil bruk og vil gjøre garantien ugyldig.

Ikke kast følgende gjenstander i toalettet:

- for store mengder papir av noe slag
- klorbaserte rengjøringsmidler
- alkoholholdige våtservietter
- aviser
- papirhåndklær
- brannfarlige væsker eller materialer
- lightere
- sigaretter eller sigarer
- bensin
- alkoholholdige drikker eller brennevin
- alkohol eller håndsprit
- neglelakkfjerner
- lighterbensin
- lampeolje/parafin
- spraybokser
- flasker eller andre beholdere av plast eller glass

3.2 GENERELL SIKKERHET



FARE!

- Ikke bruk forbrenningstoalettet hvis det er synlig skadet.
- Hvis tilkoblingskabelen til toalettet er skadet, skal den skiftes ut av produsenten, kundeservice eller en tilsvarende kvalifisert person for å unngå sikkerhetsrisiko.
- Dette forbrenningstoalettet skal bare repareres av kvalifisert personell. Uautoriserte reparasjoner kan medføre betydelig fare eller skade på toalettet.
- Rengjøring og brukervedlikehold skal ikke utføres av barn uten tilsyn.
- Ikke bruk eksplosive stoffer eller brennbare rengjøringsmidler ved vedlikehold av toalettet.

3.3 SIKKERHET VED DRIFT MED GASS



FARE!

- Bruk aldri en uskjermet flamme for å sjekke gassførende deler og rør for lekkasje, da det medfører fare for brann eller eksplosjon.
- Ved gasslukt:
 - Steng stoppekranen på gasstilførselen og ventilen på gassflasken.
 - Åpne alle vinduer og forlat rommet.
 - Unngå å slå elektriske brytere på eller av.
 - Slukk eventuelle åpne flammer.
 - Få gassystemet kontrollert av en spesialist.

3.4 SIKKER DRIFT



ADVARSEL!

- Askebeholderen i toalettet blir veldig varm når toalettet er i bruk. Forsikre deg om at sikkerhetsdekselet er på plass mens toalettet er i bruk. Ikke tøm askebeholderen før toalettet er helt avkjølt.
- Setet har ingen myk lukkefunksjon, så pass på at hender og fingre ikke kommer i klem når setet eller lokket lukkes.

3.5 SIKKERHETSFUNKSJONER PÅ CINDERELLA FREEDOM

- Forbrenningsprosessen er deaktivert når toalettlokket er åpent. Forbrenningen starter ikke før setet og lokket lukkes.
- Luken til forbrenningskammeret KAN IKKE stå åpen mens toalettet fortsatt er varmt (f.eks. under rengjøring). Dette er bare mulig når toalettet er avkjølt og viften har stanset.

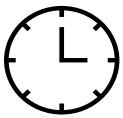
- Hvis det oppstår et ventilasjonsproblem og den innvendige temperaturen i toalettet øker til over 105 °C, blir forbrenningen avbrutt, og det vises en advarsel. I slike tilfeller må systemet tilbakestilles manuelt for å sikre at ventilasjonsproblemet er løst før toalettet kan brukes igjen.
- Hvis askebeholderen er feil plassert etter tømning, starter ikke forbrenningen. En varsellampe tennes, og det vises en advarsel.
- Hvis forbrenningskammerets lukemekanisme kiler seg fast eller forhindres i å lukke seg ordentlig, vises det det en feilmelding, og forbrenningen starter ikke.
- Cinderella Freedoms smarte programvare inneholder en «vakhund-funksjon» som overvåker temperaturen mens forbrenningen pågår. Dersom det registreres avvik fra det normale temperaturområdet, stanser forbrenningen umiddelbart, og det vises en advarsel.

3.6 VIKTIG INFORMASJON OM BRUK



OBS!

- Husk alltid å plassere en ny papirpose i toalettskålen før bruk – én papirpose per besøk.
- Toalettlokket skal alltid være lukket når toalettet ikke er i bruk. Forbrenningen vil ikke starte eller fortsette før lokket er lukket.
- Forbrenningssyklusen kan ta opptil 180 minutter fra det siste besøket.
- Viften fortsetter å gå til forbrenningen er fullført, og den innvendige temperaturen i toalettet er tilbake i normalområdet. Avkjølingsfasen kan overstige 120 minutter etter at forbrenningen er fullført, avhengig av temperaturen på kjøleluften.
- Cinderella-toalettet kan brukes når som helst under forbrennings- og kjøleprosessene. Forbrenningen avbrytes under bruk. Husk å lukke lokket og trykke på startknappen etter hvert besøk.



Kapasitet 4 personer

Cinderella Freedom-toalettet er designet for å håndtere opptil fire besøk i timen. Hyppigere besøk frarådes for å unngå overbelastning. Overbelastning av toalettet med mange besøk i løpet av kort tid, uten å fullføre en forbrenningssyklus, kan føre til lukt og lekkasje, og kan skade toalettet.



Tømmehyppighet

Systemets avfallsbeholder har en væskekapasitet på fem liter. Askebeholderen bør tømmes ofte (én gang i uken) for best mulig funksjon. Dette sikrer en mer effektiv forbrenning og bidrar til å holde katalysatoren renere.

Hvis askebeholderen ikke har blitt tatt ut (ved ukentlige tømmerutiner), viser Cinderella Freedom en melding om å tømme beholderen etter 90 forbrenningssykluser. Hvis toalettet ikke tømmes etter 120 besøk, låser det seg for ytterligere besøk. Vi anbefaler å tømme toalettet så ofte som mulig, for å sikre en mer effektiv forbrenning og mindre slitasje på produktet.

Hvis du ikke tømmer askebeholderen når den er full, kan det føre til skade på toalettet og gjøre garantien ugyldig.



Klargjøring av toalettet for en lengre periode uten bruk

Ved lengre perioder uten bruk skal avfallet forbrennes og askebeholderen tømmes.



Korte perioder med økt bruk

Følg disse rådene i situasjoner der et uvanlig høyt antall gjester kommer til å bruke toalettet i løpet av en kort periode:

1. Tøm askebeholderen fullstendig før gjestene ankommer.
2. Forvarm toalettet før bruk ved å åpne og lukke lokket og deretter trykke på «startknappen».
3. Forsikre deg om at gjestene blir instruert om å bruke en papirpose og trykke på «startknappen» etter hvert besøk.
4. Sjekk regelmessig for å forsikre deg om at toalettlokket er lukket, og at den gule forbrenningslampen fortsatt lyser.
5. Det kan hende du må kjøre en ekstra forbrenningssyklus eller to før du tømmer askebeholderen, for å sikre at avfallet er fullstendig forbrent.

3.7 BETJENINGSPANELET

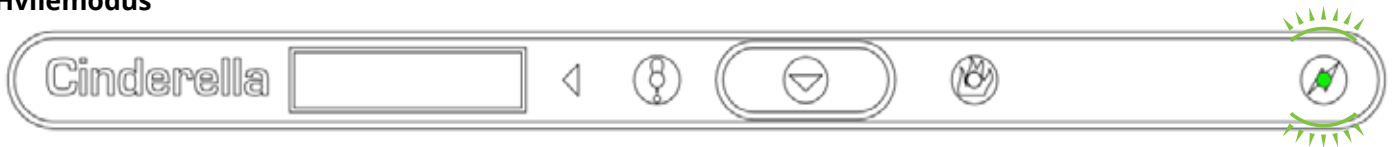
Betjeningspanelet er utstyrt med lys- og lydsignaler samt displaymeldinger som gir en best mulig brukeropplevelse. Det finnes en rekke kombinasjoner av lys- og lydsignaler som forteller brukeren om statusen til systemet. Det er viktig at alle brukere setter seg grundig inn i disse signalene før bruk. Du finner en oversikt over alle lys- og lydsignalene i feilsøkingstabellen i avsnitt 5.1.



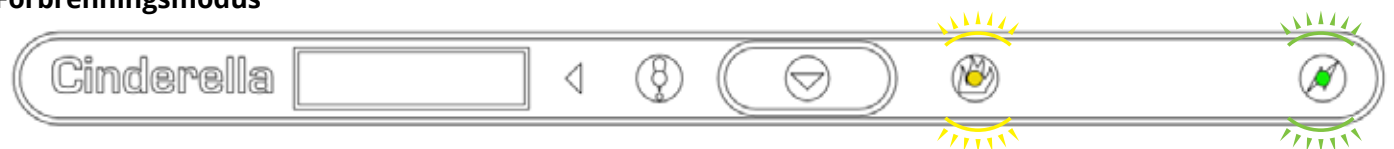
OBS!

- En grønn lampe indikerer at toalettet er koblet til strømforsyningen. Når bare den grønne lampen lyser, er toalettet i hvilemodus og klart til bruk.
- En gul lampe indikerer at det pågår en forbrenningsprosess, og lyser konstant så lenge toalettet er i forbrenningsmodus.
- En rød lampe indikerer avbrudd og varsler brukeren om at toalettet verken forbrenner avfall eller er i hvilemodus.

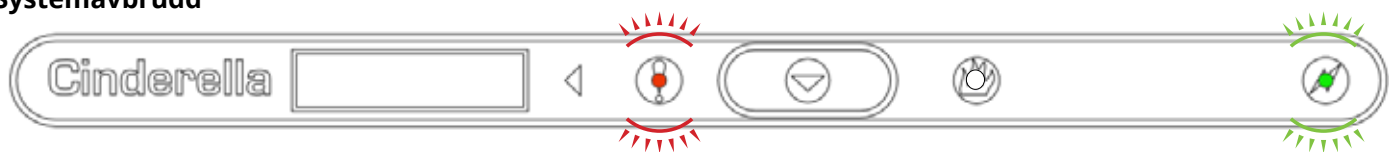
Hvilemodus



Forbrenningsmodus



Systemavbrudd

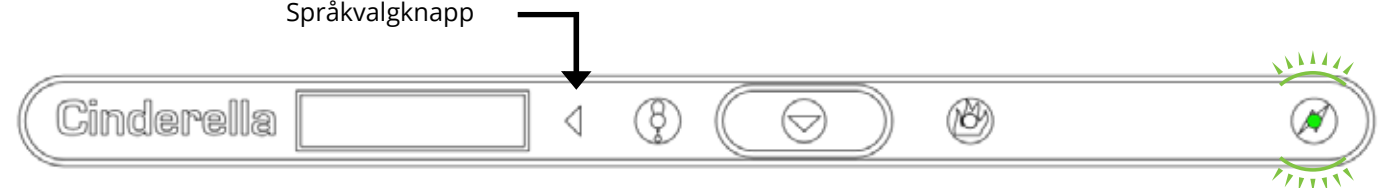


Velge språk

Hold «språkvalgknappen» inne i tre sekunder til ordet «Language» vises på den første tekstlinjen.

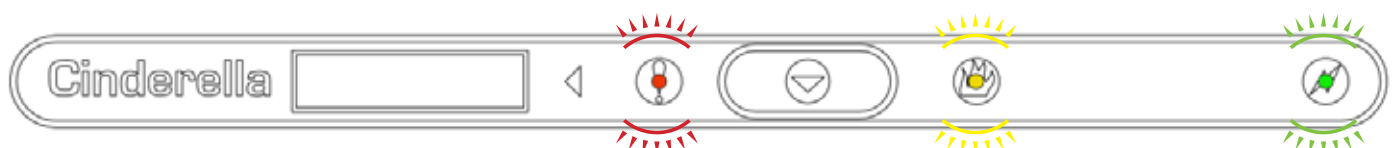
Gjeldende språk vises på den andre linjen. Trykk på «språkvalgknappen» gjentatte ganger til det ønskede språket vises. Det nye språket lagres automatisk et par sekunder etter at du har valgt det, og toalettet gjenopptar driften.

Språkvalgknapp



Tømmeindikator

Cinderella Freedom varsler når det er på tide å tømme askebeholderen. Displayet viser ordene «TØM ASKEBEHOLDEREN», og du hører tre korte pip når toalettlokket åpnes. Hvis beholderen ikke tømmes innen et visst antall besøk, vil toalettet låse seg. Da lyser de gule, røde og grønne lampene konstant, og displayet viser teksten «TOALETT LÅST BEHOLDER FULL». Du hører tre korte pip hvert tiende sekund til askebeholderen er tømt.



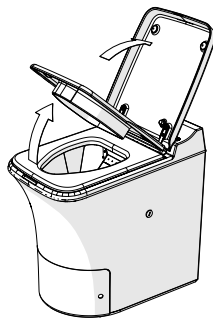
3.8 BRUK AV CINDERELLA FREEDOM-TOALETET

1



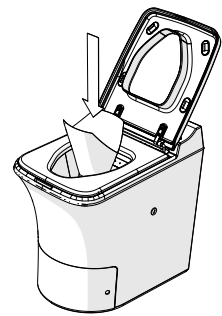
1. Kontroller at den grønne lampen på betjeningspanelet lyser for å indikere at toalettet har strømtilførsel og er klart til bruk.

2



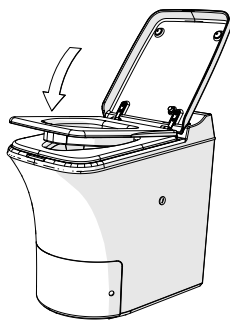
2. Løft toalettlokket og setet. En rød lampe begynner å blinke. Ventilasjonsviften starter.

3



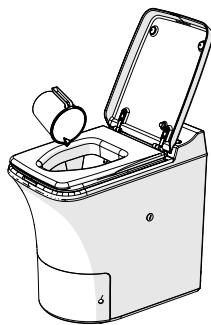
3. Plasser en papirpose i skålen. Bruk en ny papirpose for hvert besøk.

4



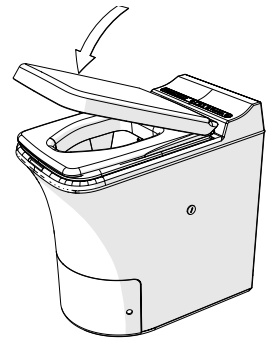
4. Senk setet. Toalettet er klart til bruk.

5



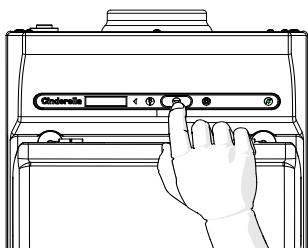
5. Bruk toalettet som vanlig. Hvis det produseres lite avfall, kan det være nyttig å helle litt vann i skålen for å øke vekten.

6



6. Lukk toalettlokket.

7



7. Trykk på «startknappen» for å slippe papirposen og innholdet ned i forbrenningskammeret. Forbrenningen starter så snart luken lukkes. Nå er toalettet klart til neste bruker.

8



8. Under forbrenning lyser en gul lampe konstant. Toalettet kan brukes når som helst, men ved bruk avbrytes forbrenningen midlertidig. Forbrenningstiden kan variere etter antall besøk og mengde avfall.

3.9 BETJENING AV FRONTDEKSELET OG ASKEBEHOLDEREN



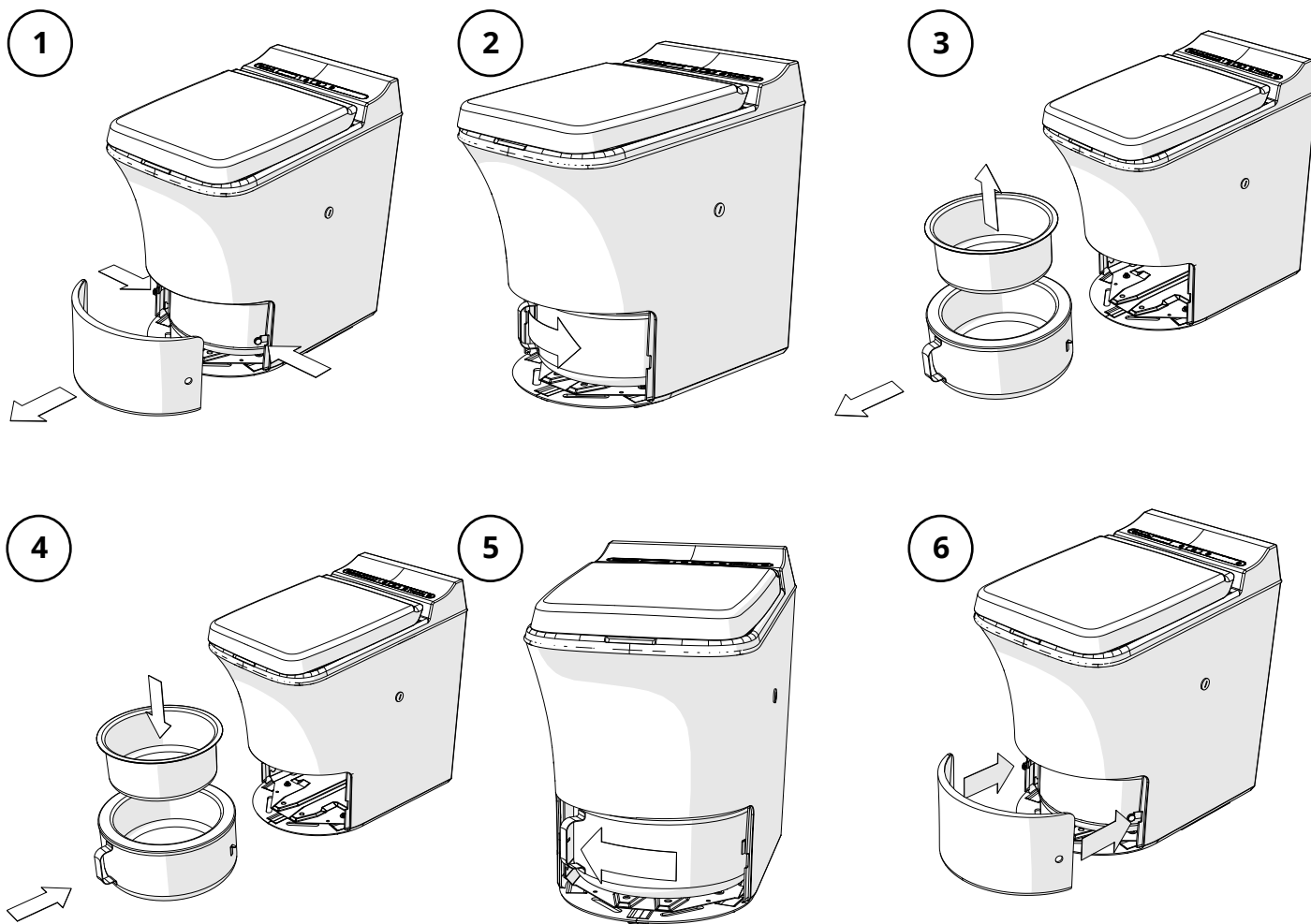
ADVARSEL!

Håndter askebeholderen bare når toalettet er avkjølt og i hvilemodus.



OBS!

Se kapittelet om vedlikehold for instruksjoner om rengjøring og tømning av askebeholderen.



4. GENERELLE VEDLIKEHOLDSINSTRUKSER

Denne håndboken dekker både brukervedlikehold og vedlikehold som skal utføres av fagfolk med nødvendig ekspertise og godkjenninger.

Et velfungerende luftsirkulasjonssystem er avgjørende for at toalettet skal fungere riktig. Partikler som oppstår under forbrenningsprosessen, kan tette katalysatoren og utløpsrøret over tid. Det er viktig å vedlikeholde disse delene regelmessig for å sikre riktig funksjon.

For å sikre optimal drift og forlenge levetiden til Cinderella Freedom-toalettet må du sette av litt tid til forebyggende vedlikehold. Gode vedlikeholdsrutiner gir lavere driftskostnader og mindre slitasje på produktet. Vi anbefaler på det sterkeste å utføre regelmessig vedlikehold som følger:

1. Tøm toalettet ofte. Ikke baser bruken på maksimumsgrensen for produktet.
2. Rengjør alltid askebeholderen og innsatsen etter tømming (se avsnitt 4.2.1).
3. Rengjør alltid med damp mellom hver eske med papirposer (500 ganger), helst etter hver tømming og vask av askebeholderen (se avsnitt 4.2.2).
4. Vær alltid oppmerksom på forbrenningsrestenes egenskaper når du tømmer toalettet. Avvikende egenskaper kan tyde på behov for vedlikehold eller service (se avsnitt 4.1).

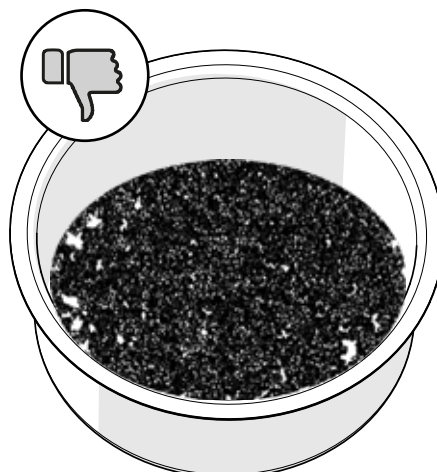
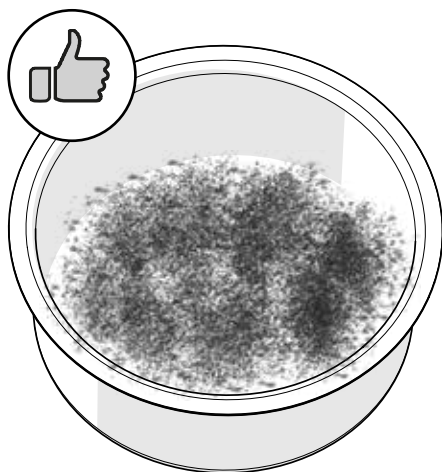


ADVARSEL!

Forsikre deg alltid om at toalettet er tilstrekkelig avkjølt og ikke i forbrenningsmodus, før du utfører vedlikehold.

4.1 FORBRENNINGSRESTENES EGENSKAPER

Restavfallet (asken) består av biologiske rester, salter og mineraler, og vil derfor ofte fremstå som hardt og krystallisert. Det skal ikke være synlige rester av papir eller flak med uforbrent avfall. Asken skal være en kombinasjon av hvit og mørkegrå. Hvis det er større forekomster av uforbrent svart avfall, fuktighet eller papir ved tømming av toalettet, skal du starte en ny forbrenning uten å ha i papir eller vann. Når forbrenningen er fullført, tømmer du askebeholderen og utfører vedlikeholdsprosedyrene som angitt i denne håndboken.

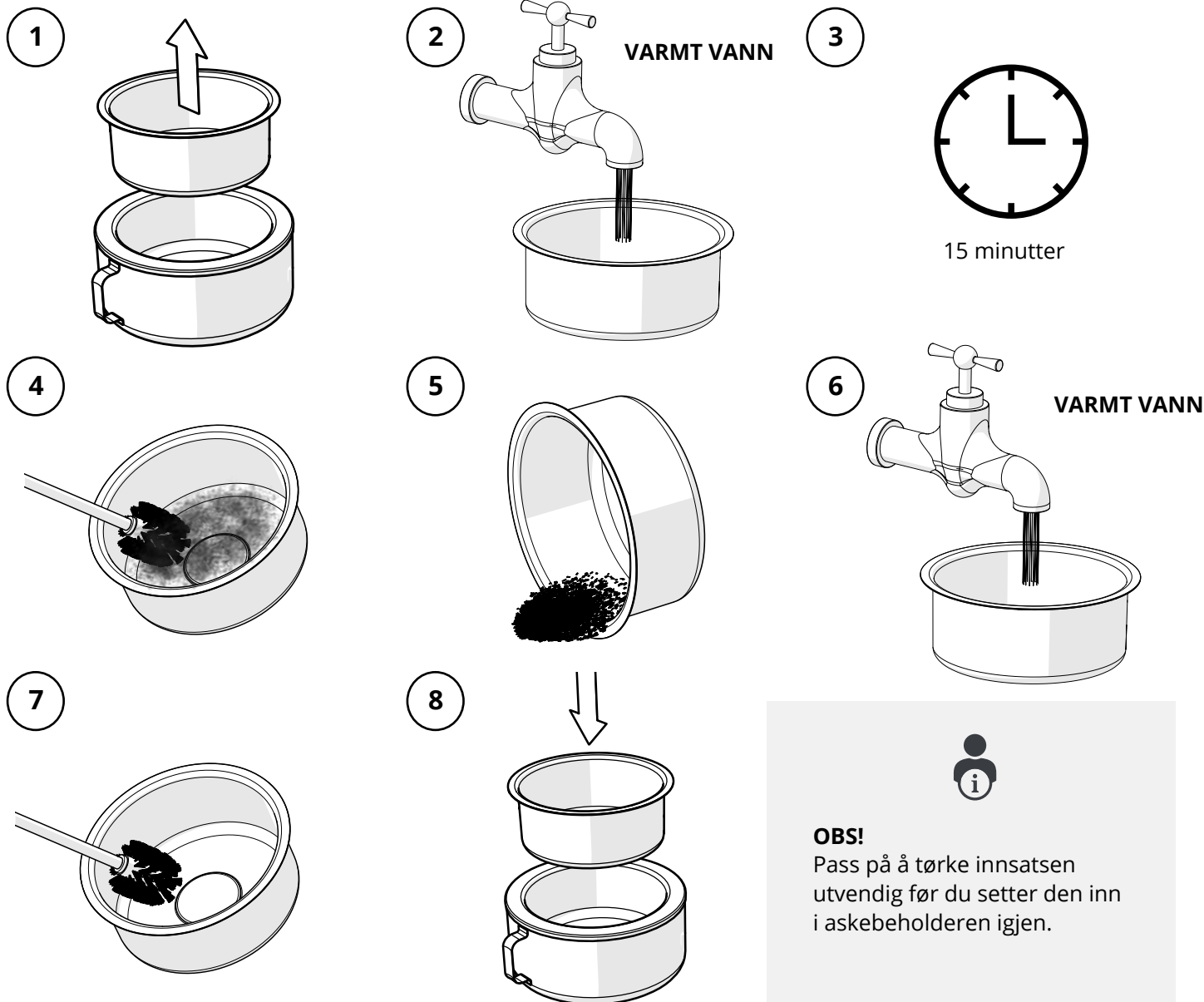


FORSIKTIG!

- Asken er ikke egnet til bruk som gjødsel eller kompost. Den skal kastes i husholdningsavfallet i henhold til gjeldende offentlige forskrifter.
- Den gjenværende asken er steril og trygg å håndtere når den har forbrent til en lys farge. Hvis asken er svart og inneholder flak, eller hvis forbrenningssyklusen var ufullstendig, skal du kjøre en ekstra forbrenningssyklus for å sikre at asken blir fullstendig forbrent. Hvis problemet vedvarer, se kapittelet om feilsøking for flere råd.

4.2 BRUKERVEDLIKEHOLD

4.2.1 TØMMING OG RENGJØRING AV ASKEBEHOLDEREN



FORSIKTIG!

Ikke bruk skarpe redskaper eller gjenstander når du rengjør askebeholderinnsatsen. Det vil skade innsatsen og redusere levetiden dens.



OBS!

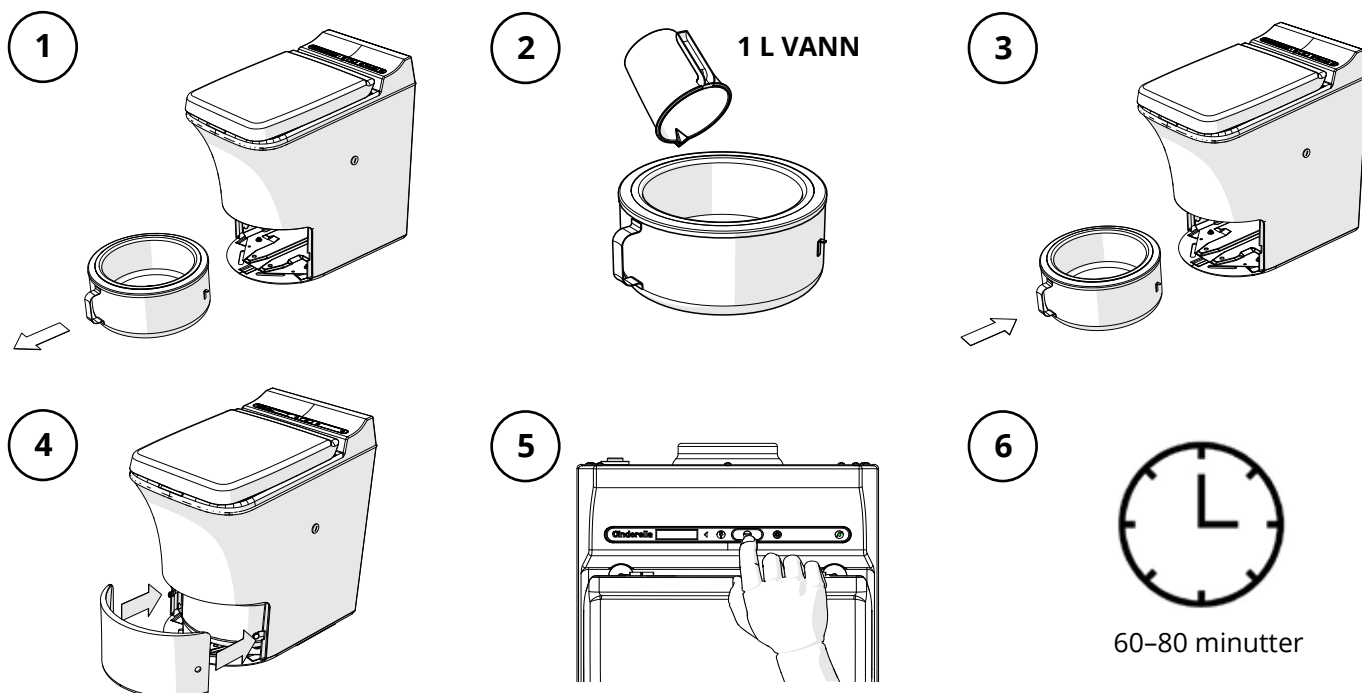
- For at toalettet skal fortsette å fungere best mulig, anbefaler vi å rengjøre med damp som beskrevet i avsnitt 4.2.2, hver gang du tømmer og vasker innsatsen. Det forhindrer avsetning av tjære og andre uønskede avleiringer i katalysatoren og toalettets utløpssystem.
- Forsikre deg om at toalettet er tilkoblet nettstrøm ved tømning. Uten strømtilførsel kan ikke systemet tilbakestille brukstilleren etter tømning.

4.2.2 DAMPRENGJØRING AV KATALYSATOREN

Anbefalt hyppighet: ved tømning av askebeholderen eller senest etter 500 gangers bruk. Slik utfører du damprengjøringen:

1. Forsikre deg om at toalettet er kaldt, og at askebeholderen er tømt og rengjort (se avsnitt 4.2.1).
2. Ta av frontdekselet og frigjør askebeholderen.
3. Hell cirka én liter rent vann i toalettinnsatsen.

4. Sett inn askebeholderen forsiktig uten å søle vann og sett frontdekselet på plass.
5. Løft lokket og kontroller at viften begynner å rotere.
6. Trykk på «startknappen» for å starte en forbrenningssyklus.
7. Vannet begynner å koke, og dampen vasker bort eventuelt rusk i katalysatoren. Denne systemrengjøringen tar normalt 60 til 80 minutter.



OBS!

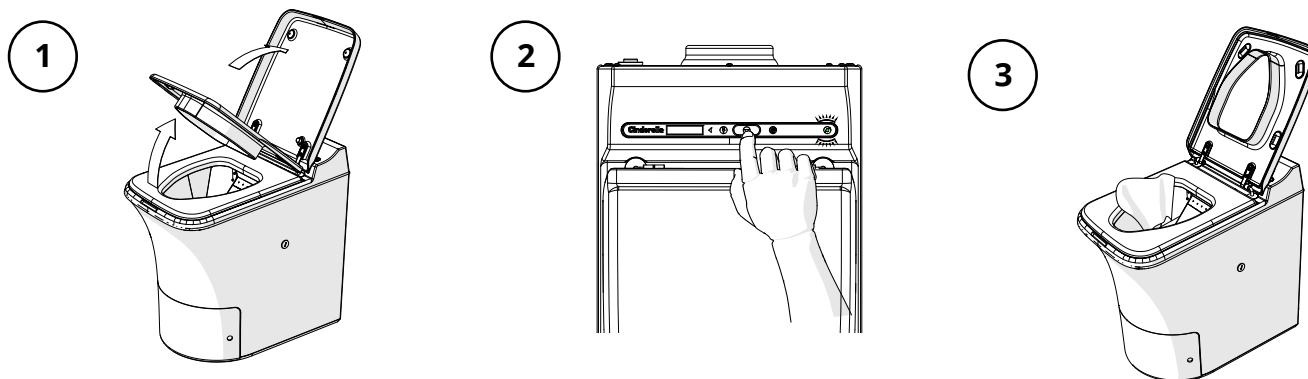
Ikke bruk toalettet under vedlikehold, det vil redusere rengjøringens funksjon. Toalettet kan brukes når toalettet går tilbake til hvilemodus igjen.

4.2.3 RENGJØRING AV SKÅLEN

Anbefalt hyppighet: ved behov av hensyn til renslighet og ved tømning av askebeholderen.

Slik rengjør du skålen:

1. Åpne toalettlokket.
2. Trykk på «startknappen» og hold den inne i tre sekunder for å åpne luken til vaskeposisjon.
3. Bruk fuktig papir, vann og et mildt rengjøringsmiddel etter behov. Lukk lokket og start forbrenningen.



FARE!

Ikke bruk brennbare rengjøringsmidler til å rengjøre skålen. Noen metallkanter kan være skarpe. Toalettet må være avkjølt og i hvilemodus før du rengjør skålen.



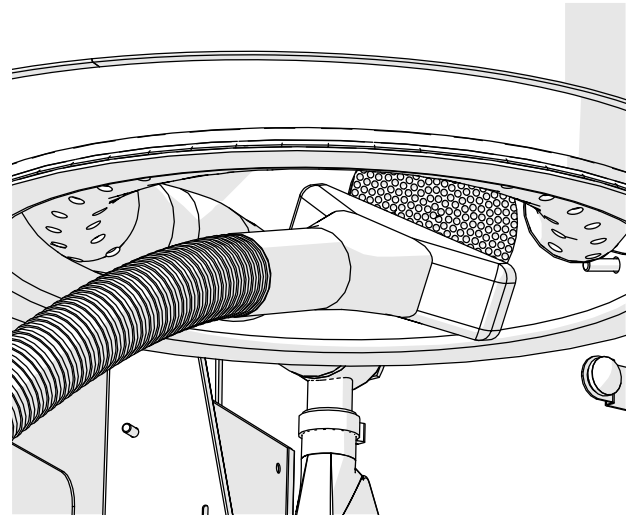
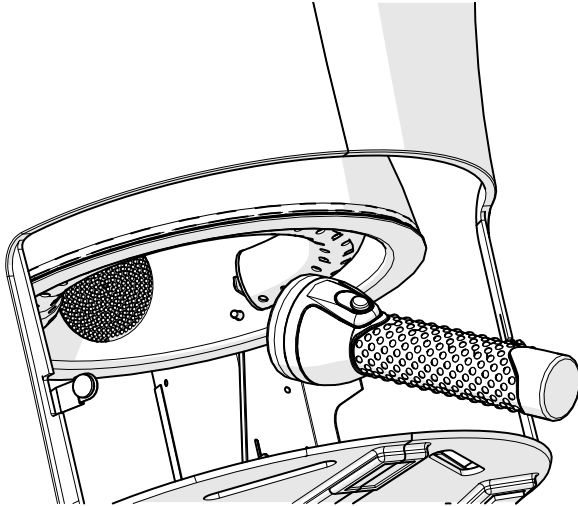
FORSIKTIG!

Ikke bruk klorbaserte rengjøringsmidler til å rengjøre skålen. Klor er svært skadelig for katalysatoren, og hvis det has i toalettet, kan det føre til at katalysatoren slutter å fungere som den skal.

4.2.4 INSPEKSJON OG RENGJØRING AV KATALYSATOREN MED STØVSUGER

Anbefalt hyppighet: etter 500 gangers bruk.

Katalysatoren er den primære luftkanalen mellom forbrenningskammeret og avtrekkskoblingen på toalettet. Eventuelle ansamlinger av partikler i katalysatoren vil redusere strømningshastigheten og toalettets effektivitet. Derfor er det viktig å sørge for at katalysatoren alltid er åpen. Eventuelle endringer i forbrenningstid og/eller forbrenningseffektivitet kan skyldes at katalysatoren er tett. Damprenngjøring, som beskrevet i avsnitt 4.2.2, er den beste og enkleste måten å rengjøre katalysatoren på. Du kan også inspisere fronten av katalysatoren ved å ta ut askebeholderen og lyse opp forbrenningskammeret fra innsiden. Eventuelle ansamlinger av partikler kan fjernes med støvsuger.



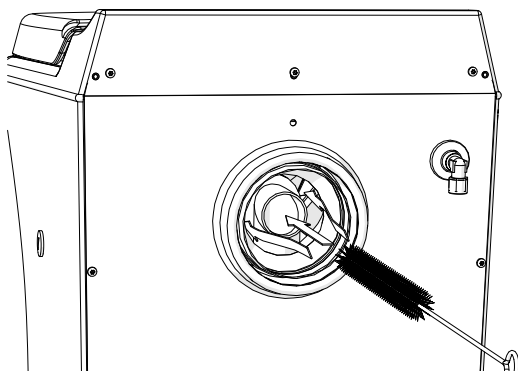
OBS!

Ved tydelige tegn på korrosjon eller deformasjon må katalysatoren byttes. Kontakt den lokale serviceleverandøren for å avtale service.

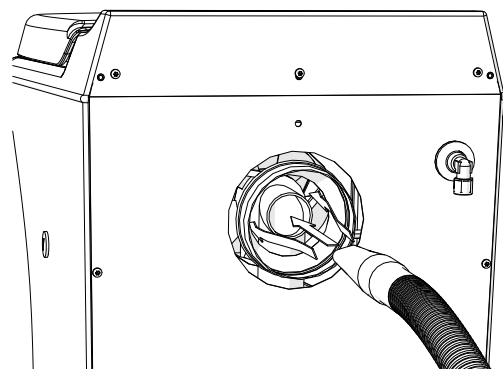
4.2.5 RENGJØRING AV TOALETETS AVTREKSKOBLING

Anbefalt hyppighet: senest etter 500 gangers bruk.

1. Toalettet må kobles fra avtrekksrør og strømkilden.
2. Rengjør avtrekkskoblingen med en fleksibel børste. Det er viktig å rengjøre både utløpsrøret og venturirøret helt tilbake til viftebladene for å få tilstrekkelig luftstrøm.
3. Ta ut askebeholderen og fjern eventuelt rusk i beholderen.
4. Bruk en støvsuger til å suge ut gjenværende rusk fra utløpsrøret og katalysatoren.
5. Koble toalettet til avtrekksrøret og strømforsyningen igjen.
6. Installer askebeholderen og frontdekselet.
7. Vi anbefaler at du utfører en damprenngjøring som beskrevet i avsnitt 4.2.2, etter at du har vedlikeholdt avtrekkskoblingen.



RENGJØR UTLØPS- OG VENTURIRØR

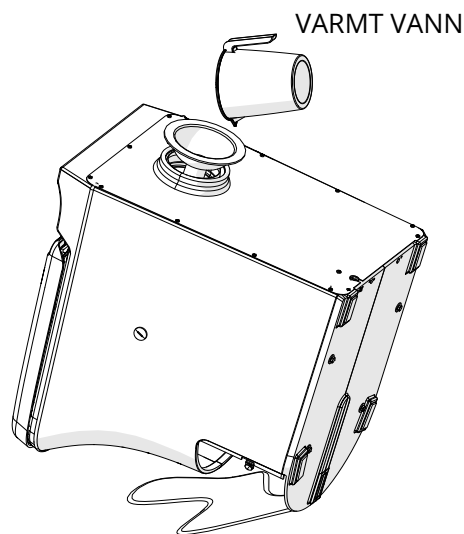


STØVSUG UTLØPS- OG VENTURIRØR

4.2.6 SKYLING AV KATALYSATOREN MED VARMT VANN

I tilfeller der damprengjøring ikke fjerner partikler eller dårlig lukt, kan det være nødvendig å skylle katalysatoren med vann. Dette medfører tunge løft og må gjøres et sted der vannsøl er uproblematisk. Følg trinn 1 til 4 under avsnitt 4.2.5 «Rengjøring av toalettets avtrekkskobling», og deretter følgende trinn:

1. Plasser toalettet et sted der det er greit å søle vann, for eksempel i et rom med egnet avløp, ute eller i et badekar. Bruk den spesialkonstruerte Cinderella-trakten eller en trakt som passer i utløpsrøret. Vipp toalettet fremover og hell to til tre liter varmt vann gjennom utløpsrøret og katalysatoren. Det overskytende vannet skal være rent ved slutten av skylleprosessen. Bruk om nødvendig mer vann for å rengjøre systemet ordentlig.
2. Gjenta trinn 1 fire til fem ganger til vannet er rent og du ikke finner noen krystaller eller andre hindringer når du inspiserer katalysatoren (se avsnitt 4.2.4).
3. Koble toalettet til avtrekksrøret og strømforsyningen igjen.
4. Installer askebeholderen og frontdekselet.
5. Utfør ytelsestesten som beskrevet i avsnitt 2.8.



OBS!

Inspiser katalysatoren og utfør damprengjøring som beskrevet i avsnitt 4.2.2, før du kobler fra toalettet og skyller systemet med varmt vann. Hvis katalysatoren fortsatt er tett, eller hvis det fremdeles er merkbar lukt ved forbrenning, bør du skylle katalysatoren med varmt vann som beskrevet i avsnitt 4.2.6.



FORSIKTIG!

Forsiden av det ytre skallet er tynt og bør derfor ikke bære hele vekten av toalettet. Vær forsiktig når du vipper toalettet og pass på at det er plassert i en posisjon som gjør at toalettet er beskyttet. Det anbefales å være to om denne oppgaven, slik at den ene kan holde toalettet mens den andre skyller katalysatoren.

5. FEILSØKING OG SVAR PÅ VANLIGE SPØRSMÅL



ADVARSEL!

Service skal utføres i samsvar med alle gjeldende nasjonale og lokale forskrifter. Hvis du er usikker på hvilke regler som gjelder, kontakt nærmeste forhandler eller servicerepresentant for mer informasjon. Strømtilførselen skal kobles fra når du utfører service og vedlikehold på toalettet.

Feilsøkningsmodul på nettet

Lyd- og lyssignalene fra toalettets betjeningspanel indikerer toalettets driftsstatus. Nedetid og feil på toalettet blir varslet med ulike lyd- og lyssignaler som beskrevet i avsnitt 5.1 i denne håndboken. Vi har samlet de vanligste feilene/problemene i en feilsøkningsmodul på nettet, så det er lett å få svar på hva som feiler toalettet, og forslag til hvordan du selv kan løse problemet.

Tomt for gass

Mangelfull forbrenning og en blinkende gul lampe på displayet kan indikere at propantanken er tom og må etterfylles eller byttes ut.

Tilbakestill toalettssystemet

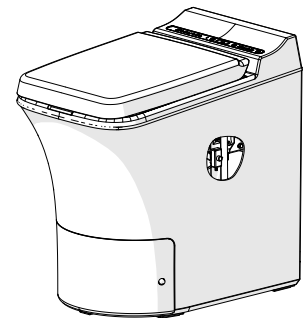
Under rengjøring og feilsøking kan det noen ganger være nyttig å tilbakestille elektronikken. Det gjør du ved å trykke på «startknappen». Da hører du et kort pip. Hold knappen inne i cirka åtte sekunder til du hører et langt pip, og slipp deretter knappen.

Feilmeldinger

Når lampene blinker, må du sjekke årsaken og løse problemet før du bruker toalettet. I tilfelle uregelmessigheter som lukt, dårlig forbrenning eller systemfeil, må du handle umiddelbart for å unngå skade på toalettet og unødvendige reparasjonskostnader.

Utløst bimetaltermostat

Bimetaltermostaten utløses hvis den innvendige temperaturen i toalettet blir for høy. Dette skjer normalt på grunn av manglende luftgjennomstrømning eller delvis blokkering av luftinntaks- eller avtrekksdelen av installasjonen. Derfor er det viktig at du sjekker at luftinntaket er i henhold til spesifikasjonene, og at avtrekkskanalen er åpen og fri for fremmedlegemer. Kontroller katalysatoren visuelt og utfør prosedyren for damprengjøring som anvist i avsnitt 4.2.2. For å tilbakestille termostaten, skru ut plastskruen på siden av toalettet, trykk på knappen og skru inn plastskruen igjen.



Ved strøbrudd

Hvis strømmen går under en forbrenningsprosess, kan det midlertidig oppstå lukt fra innsiden av toalettet og røyk og lukt fra avtrekksrøret utenfor. Siden forbrenningen ikke gjenopptas automatisk når strømmen kommer tilbake, må du starte en ny forbrenningssyklus manuelt. Dersom strøbruddet forventes å vare i mer enn to timer, må du tømme eventuelt avfall fra toalettet, siden toalettet kan ta skade dersom avfallet blir liggende over lengre tid. Bruk aldri toalettet under strøbrudd.

Lukt i rommet

Lukt kan ha flere årsaker:

1. Det er ikke plassert en ny papirpose i skålen etter at toalettet har vært brukt, eller papirposen er plassert feil.
2. Luftstrømmen kan være blokkert. Kontroller avtrekksrøret og hetten.
3. Kontroller at installasjonen er utført i henhold til håndboken. Begrenset trekk i avtrekksrøret kan forårsake mottrykk og lukt i rommet.
4. Utløpsrøret kan være tilstoppet. Se avsnitt 4.3.1.
5. Katalysatoren kan være tilstoppet. Se avsnitt 4.3.1.
6. Avtrekksrøret er ikke skikkelig festet til toalettet. Se avsnitt 2.5.1.

Lukt utendørs

Årsakene kan være de samme som for lukt inne i rommet, eller:

1. Katalysatoren har ikke nådd driftstemperaturen. Når toalettet er kaldt, kan det ta noen minutter før katalysatoren når den temperaturen der den begynner å fungere ordentlig.
2. Katalysatoren kan være korrodert eller deformert. Kontakt serviceleverandøren.

5.1 FEILSØKINGSTABELL



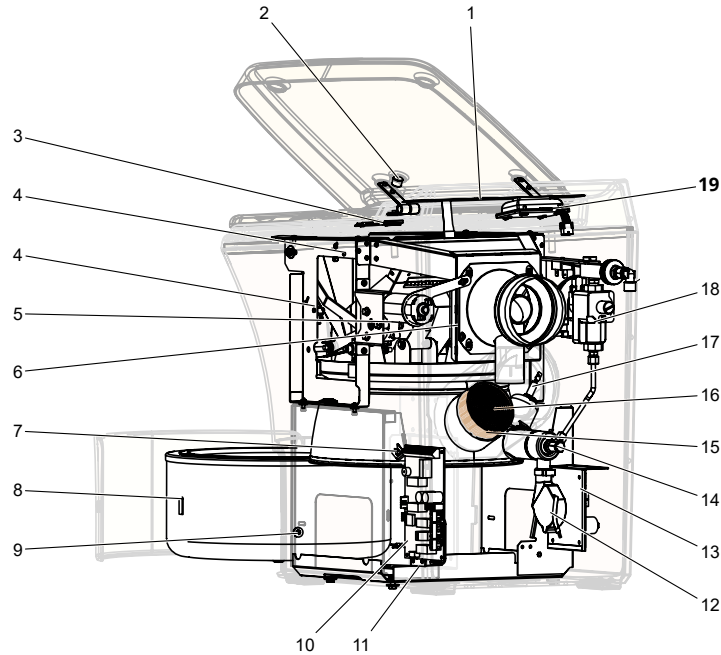
OBS!

Cinderella har utviklet en digital feilsøkningsmodul som ligger ute på nettstedet vårt. Modulen fungerer som en veiledning og et supplement til feilsøkingstabellen. Besøk oss på www.cinderellaeco.com

FEIL	DISPLAYMELDING	RØD LAMPE	GUL LAMPE	GRØNN LAMPE	STØY	TILTAK
Askebeholderen bør tømmes.	Tøm askebeholderen	BLINKER vekselvis	BLINKER vekselvis	STABILT PÅ	3 PIP	1 Ta ut og tøm askebeholderen. *Toalettet skal kobles til 230 V.
Askebeholderen må tømmes. Toalettet er låst.	Toalettet er låst, beholderen er full	STABILT PÅ	STABILT PÅ	STABILT PÅ	3 PIP MED 10 SEKUNDERS MELLOMROM	1 Ta ut og tøm askebeholderen. *Toalettet skal kobles til 230 V.
Ingen strømtilførsel.	Blank skjerm	AV	AV	AV		1 Kontroller at toalettet er koblet til 230 VAC.
Feil ved ventilasjonsvifte.	Viftefeil	BLINKER	AV	BLINKER	10 PIP	1 Kontroller viften for hindringer og forsikre deg om at viften roterer som den skal. 2 Tilbakestill toalettet (hold «startknappen» inne). 3 Åpne lokket til den røde lampen blinker, lukk lokket og trykk på «startknappen». Hvis feilen vedvarer, ring kundeservice.
Funksjonsfeil ved lukemekanismen.	Feil ved luke	BLINKER	AV	STABILT PÅ	10 PIP	1 Tilbakestill toalettet hvis det er varmt. 2 Åpne lokket til den røde lampen blinker, lukk lokket og trykk på «startknappen». 3 Hvis dette ikke fungerer, tilbakestill toalettet, plasser en papirpose i skålen, hell tre kopper vann i posen, lukk lokket og trykk på «startknappen». 4 Hvis dette ikke fungerer, vent til toalettet er avkjølt (viften stanser). 5 Start toalettet på nytt, åpne lokket når luken åpnes, og fjern fastsittende gjenstander for hånd. Hvis problemet vedvarer, ring kundeservice.
Askebeholderen er feil plassert.	Askebeholder feil plassert	BLINKER	BLINKER	STABILT PÅ	3 PIP	1 Juster plasseringen av askebeholderen, roter håndtaket mot venstre. 2 Sjekk at stoppinnen på beholderen er intakt. 3 Kontroller visuelt tilstanden til magneten på beholderen. Hvis problemet vedvarer, ring kundeservice.
Varmekretsen er avbrutt.	Feil i brennersystem	AV	BLINKER	STABILT PÅ	KONTINUERLIGE PIP	1 Tilbakestill toalettet. 2 Kontroller bimetaltermostaten på høyre side av toalettet. Skru ut den grå pluggen og trykk på sikringen inni med fingeren: Ikke bruk en skarp gjenstand. Hvis sikringen ble utløst, hører du et klikk. Se kapittel 5. 3 Hvis sikringen ikke var problemet, starter du toalettet på nytt og prøver å starte forbrenningsprosessen. Gjenta et par ganger. Hvis problemet vedvarer, ring kundeservice.
Toalettlokk-sensoren er utløst.	Lokk åpent	BLINKER	AV	STABILT PÅ	INGEN	1 Sjekk magneten på innsiden av toalettlokket og lukk lokket. Hvis problemet vedvarer, ring kundeservice.
Funksjonsfeil ved temperatursensor.	Feil ved temperatursensor	AV	BLINKER	BLINKER	KONTINUERLIGE PIP	1 Tilbakestill toalettet. 2 Åpne lokket til den røde lampen blinker, lukk lokket og trykk på «startknappen». 3 Hvis feilen vedvarer, ring kundeservice.
Uleselig/ingen displaymelding.	Uleselig/blank skjerm					1 Koble fra toalettet og vent i fem minutter. 2 Koble til toalettet og start det på nytt. 3 Hvis problemet vedvarer, ring kundeservice.

6. REPARASJONER OG RESERVEDELER

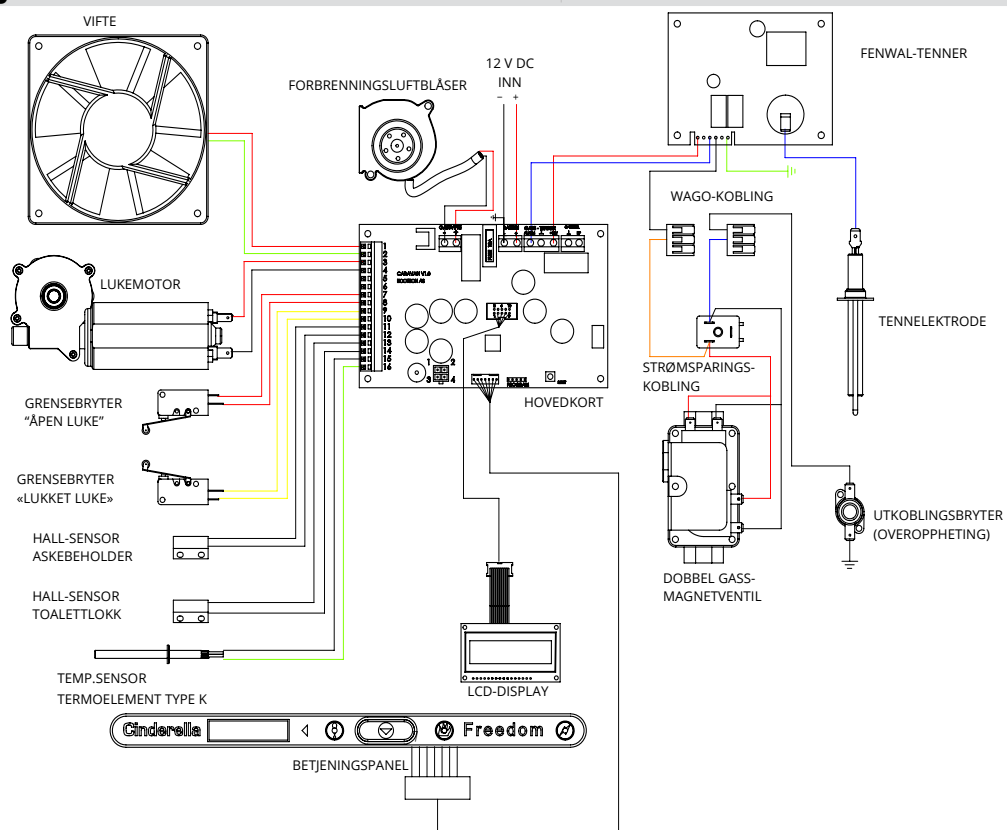
6.1 RESERVEDELSLISTE



ID	DELEBESKRIVELSE	ART. NR.
1	Betjeningspanel	100981
2	Magnet 14 × 10 mm	100433
3	Hall-sensor med ledning og tape L = 330 mm	100964
4	Mikrobryter	101127
5	Motor Nidec 12/24 VDC	101177
6	Aksialvifte 12 VDC 119 × 38 mm	100154
7	Termoelementenhet	100831
8	Stoppbrakett 9 × 26 × 12 mm	100017
9	Magnet 14 × 7 mm	100065
10	Kretskort, gass	100989

ID	DELEBESKRIVELSE	ART. NR.
11	Hall-sensor	100228
12	Sentrifugalvifte 51 × 51 × 15 mm	100542
13	Fenwal-tenner	100424
14	Gasdyse 8" WC propan SM	101414
15	Isolasjonsstoff 275 × 90 × 2 mm	100163
16	Katalysator 90 × 75 mm	100528
17	Tennelektrode	100196
18	Gasskontroll – Maxitrol CV200	101224
19	LED-display 65 × 36 × 13 mm	100401

6.2 KOBLINGSSKJEMA



7. Garanti

Hva dekkes av denne garantien?

Denne garantien dekker defekter i materialer eller utførelse i ditt Cinderella forbrenningstolett, på de betingelsene, i den perioden og med de unntakene som er beskrevet nedenfor.

Hva dekkes ikke av denne garantien?

Denne garantien dekker ikke normal slitasje eller skader som skyldes ulykker (herunder brann, oversvømmelse, orkan eller annen naturkatastrofe), misbruk, feil bruk, manglende overholdelse av produsentens anvisninger eller feil vedlikehold. Garantien dekker ikke følgeskader eller tilfeldige skader. Cinderella Eco Group har ingen «på stedet»-garanti. Det betyr at toalettet må transporteres til en autorisert serviceleverandør som kan utføre servicen. Hvis dette ikke er mulig, kan forhandleren fakturere en transport- eller reisekostnad.

Hvor lenge gjelder garantien?

For vanlige kunder gjelder denne garantien i en periode på tre (3) år fra den opprinnelige kjøpsdatoen. Bedriftskunder får ett (1) års garanti.

Hva vil Cinderella Eco Group gjøre?

Hvis du sender inn et gyldig krav under denne garantien, vil Cinderella Eco Group etter eget skjønn enten reparere, erstatte eller refundere kjøpesummen for ditt Cinderella forbrenningstolett.

Hvordan får jeg service?

Kontakt forhandleren eller en autorisert serviceleverandør i ditt land. Tilgjengelige servicealternativer avhenger av landet servicen ønskes utført i. Det kan bli bedt om å fremlegge kjøpsbevis når du fremsetter et krav under denne garantien. Du finner mer informasjon om garantien på nettstedet vårt: www.cinderellaeco.com

Cinderella Eco Group AS

Sjøvikvegen 67, 6475 Midsund
www.cinderellaeco.com

INNEHÅLL:

1. ALLMÄNT	3
1.1 INLEDNING	3
1.2 TILLÄMPNING I ENLIGHET MED BESTÄMMELSER	3
1.3 BRUKSANVISNING	3
1.4. ANSVARSBEGRÄNSNING	3
1.5 TESTER OCH CERTIFIERINGAR	3
1.6 MILJÖKRAV	3
1.7 ALLMÄNNA SÄKERHETSANVISNINGAR	4
1.8. TYP SKYLT	5
1.9 CINDERELLA ONLINE	5
2. MONTERING	6
2.1 PACKA UPP TOALETEN OCH TILLBEHÖREN	6
2.2 MÅTTSPECIFIKATIONER	6
2.3 CINDERELLA MONTERINGSSATS ORIGINAL	7
2.4 INSTALLATION, SPECIFIKATION	8
2.4.1 SPECIFIKATIONER AV DELAR OCH MATERIAL	8
2.5 MONTERA CINDERELLA FÖRBRÄNNINGSTOALETT	8
2.5.1 MONTERA FRÅNLUFTSRÖR	9
2.5.2 ANSLUTNING AV LUFTVENTIL	10
2.5.3 MONTERA CINDERELLA ORIGINALHUV TILL SKORSTEN	11
2.5.4 GASINSTALLATION	11
2.6 SPECIFIKATIONER OCH KRAV GÄLLANDE ELANSLUTNING	12
2.7 TA BORT TRANSPORTSÄKRINGSREM	12
2.8 CHECKLISTA FÖR VERIFIERING AV SLUTFÖRD INSTALLATION	13
2.9 PRESTANDATEST FÖR VERIFIERING AV SYSTEMETS FUNKTIONALITET	13
3. ANVÄNDNING	14
3.1 AVSEDD ANVÄNDNING OCH HANTERING	14
3.2 ALLMÄN SÄKERHET	14
3.3 SÄKERHETSANVISNINGAR VID GASDRIFT	14
3.4 SÄKER DRIFT	14
3.5 CINDERELLA FREEDOM SÄKERHETS FUNKTIONER	14
3.6. VIKTIG INFORMATION TILL ANVÄNDARE	15
3.7 KONTROLLPANELEN	16
3.8 ANVÄNDA CINDERELLA FREEDOM	17
3.9 HANTERA FRONTPANELEN OCH ASKBEHÅLLAREN	18
4. ALLMÄNT UNDERHÅLL	19
4.1 SLUTPRODUKTENS EGENSKAPER	19
4.2 ALLMÄNT UNDERHÅLL	20
4.2.1 TÖMNING OCH RENGÖRING AV ASKBEHÅLLARE	20
4.2.2 ÅNGRENGÖRING AV KATALYSATORN	20
4.2.3 RENGÖRING AV TOALETTSKÅLEN	21
4.2.4 KONTROLLERA OCH RENGÖRA KATALYSATORN MED DAMMSUGARE	22
4.2.5 RENGÖRA RÖRANSLUTNING	22
4.2.6 SKÖLJA KATALYSATORN I VARMVATTEN	23
5. FELSÖKNING OCH VANLIGA FRÅGOR	24
5.1 FELSÖKNINGSTABELL	25
6. REPARATIONER OCH RESERVDELAR	26
6.1 LISTA ÖVER RESERVDELAR	26
6.2 KOPPLINGSSCHEMA	26
7. GARANTI	27

1. ALLMÄNT

1.1 INLEDNING

Det är viktigt att säkerställa att ventilationen är tillräcklig och uppfyller de riktlinjer som anges i denna bruksanvisning. Detta för att din nya Cinderella-toalett ska fungera korrekt. Felaktig montering kan orsaka funktionsfel, slitage och/eller luktproblem, samtidigt som garantin blir ogiltig. När produkten ska monteras ska de tekniska och administrativa bestämmelser som gäller i aktuellt land följas.

1.2 TILLÄMPNING I ENLIGHET MED BESTÄMMELSER

Denna produkt är designad för förbränning av kroppsliga avfallsprodukter och mindre hygienprodukter som toalettpapper och våtservetter som inte innehåller alkohol.

Produkten får inte installeras i husbilar, husvagnar eller liknande flyttbara utrymmen.

1.3 BRUKSANVISNING

Läs denna bruksanvisning noga innan du monterar och börjar använda produkten. Förvara dessa instruktioner på en säker plats så att du vid behov kan ta fram dem. Om du överlåter produkten till någon annan ska även denna bruksanvisning överlämnas.

Detta är instruktioner om hur man monterar, hanterar och underhåller produkten på ett korrekt sätt. Det är viktigt att både montören och användaren läser igenom instruktionerna i denna bruksanvisning. Den innehåller även information om professionellt underhåll samt service och reparationer.

En digital version av detta dokument, samt ytterligare information finns på www.cinderellaeco.com

1.4 ANSVARSBEGRÄNSNING

Tillverkaren tar inget ansvar för skador i följande fall:

- Felaktig montering
- Skador som orsakats av anslutning till felaktig spänning
- Modifieringar som gjorts utan uttryckligt godkännande från tillverkaren
- Användning för andra ändamål än de som beskrivs i denna bruksanvisning
- Underlåtenhet att följa instruktionerna gällande drift och underhåll
- Tillämpningar som inte är i enlighet med lagar och regler
- Användning av andra toalettpåsar och reservdelar än originalversionerna

1.5 TESTER OCH CERTIFIERINGAR

Cinderella Freedom har genomgått omfattande tester hos DBI och SLG i enlighet med EU:s standard avseende gassäkerhet och elektromagnetisk kompatibilitet.

1.6 MILJÖKRAV

- Omgivningstemperatur: -20–40 °C
- Användning på hög höjd: Testad upp till 1 500 m



OBSERVERA!

När Cinderella-toaletten är monterad ska avståndet mellan förbränningsdelen och övrig inredning vara minst: 50 mm åt sidorna, 50 mm från bakre vägg.

1.7 ALLMÄNNA SÄKERHETSANVISNINGAR



VARNING!

Säkerhetsanvisningar: Följ dessa instruktioner för att undvika allvarlig skada eller dödsfall.



VARNING!

Säkerhetsanvisningar: Dessa instruktioner måste följas för att skador ska kunna undvikas.



OBSERVERA!

Om dessa instruktioner inte följs kan det leda till materiella skador och försämrad funktionalitet.



OBS!

Tilläggsinformation gällande hantering av produkten.



VARNING!

- Spraya inte aerosoler i närheten av denna produkt när den är i drift.
- Använd eller förvara inte brandfarliga material i eller i närheten av denna produkt.
- Placera inte föremål mot eller ovanpå denna produkt.
- Modifiera inte produkten.



- Använd inte förbränningstoaletten om den har synliga skador.
- Om DC-strömkabeln till toaletten är skadad ska den av säkerhetsskäl bytas ut av tillverkaren, kundservice eller motsvarande behörig person.
- Använd aldrig tändare, levande ljus eller liknande för att kontrollera läckage i gasanslutningarna.
- Denna toalett får endast repareras av behörig personal. Bristfälliga reparationer kan medföra allvarliga säkerhetsrisker.
- Använd endast LPG-gas
- Gastycket ska alltid motsvara det som anges på typskylten på toalettens baksida.



VARNING!





- Varning för klämskador! Lägg inte handen mot gångjärnet eller under toalettringen när den är uppfälld eftersom det inte finns någon mjukstängningsfunktion.
- Töm inte askbehållaren när den är varm.
- Se till att strömkabeln och uttaget är torra innan produkten startas.



- Ta tag i toalettetskalet när toaletten ska flyttas. Greppa aldrig tag i strömkabeln, främre panelen, locket, toalettringen eller frånluftsuttaget.
- Kontrollera att den spänning som matas till toaletten överensstämmer med specifikationen på typskylten.
- Använd endast strömkablar med ett lämpligt tvärsnitt.
- Varning för överhettning! Se till att ventilationen är tillräcklig så att den värme och de partiklar som bildas under förbränning kan ledas ut genom skorstensröret. Säkerställ att luftflödet är tillräckligt. Se till att ventilationen in till toaletten är tillräcklig.
- Säkerställ att toaletten står tillräckligt långt från väggar eller andra föremål så att luften kan cirkulera.

1.8 TYP SKYL T

Typskylten sitter på baksidan av förbränningstoaletten. Där anges modellbeteckning, serienummer, klassificering och information om support. Du behöver ange dessa uppgifter när du kontaktar kundtjänst eller beställer reservdelar.

<p>MANUFACTURER</p>  <p>Cinderella Incineration Toilets</p> <p>CINDERELLA ECO GROUP AS Sjøvikvegen 67, 6475 Midsund, NORWAY For sales and support call +4777711500 or visit our web www.cinderellaeco.com</p> <p>CINDERELLA FREEDOM MODEL: PM02CS03EU SERIAL:</p>	<p>Appliance Specifications</p> <p>VOLTAGE..... 12V DC CURRENT 4 A GAS:..... PROPANE FAN BLOWER:..... 12V DC GAS SUPPLY PRESSURE: 30 mBar CAPACITY..... 3-4 PEOPLE PR. HOUR CONNECTED LOAD 425 G/H EFFECT..... 2.86 kW EXHAUST SYSTEM CONSTRUCTION -B22 DEVICE CATEGORY I3 B/P YEAR OF MANUFACTURING..... 2021 DESIGNED FOR..... HOME/CABINS, SANITATION WELFARE UNIT</p>	   <p>For information on how to claim warranty, support and recycle our product visit www.cinderellaeco.com</p>
--	--	---

1.9 CINDERELLA ONLINE



REGISTRERA DIG FÖR "MY CINDERELLA"

När du registrerar din toalett i "My Cinderella" får du relevant information om våra produkter och tillgängliga supporttjänster samt specialerbjudanden för just din toalettmodell. I händelse av stöld finns registrerade toaletter kvar i vår databas.

Felsökning online

En komplett guide till din toalett med användbara råd och förbättringsåtgärder som gör att du kan lösa de flesta problem på egen hand utan att behöva tillkalla hjälp.

Lättillgänglig information

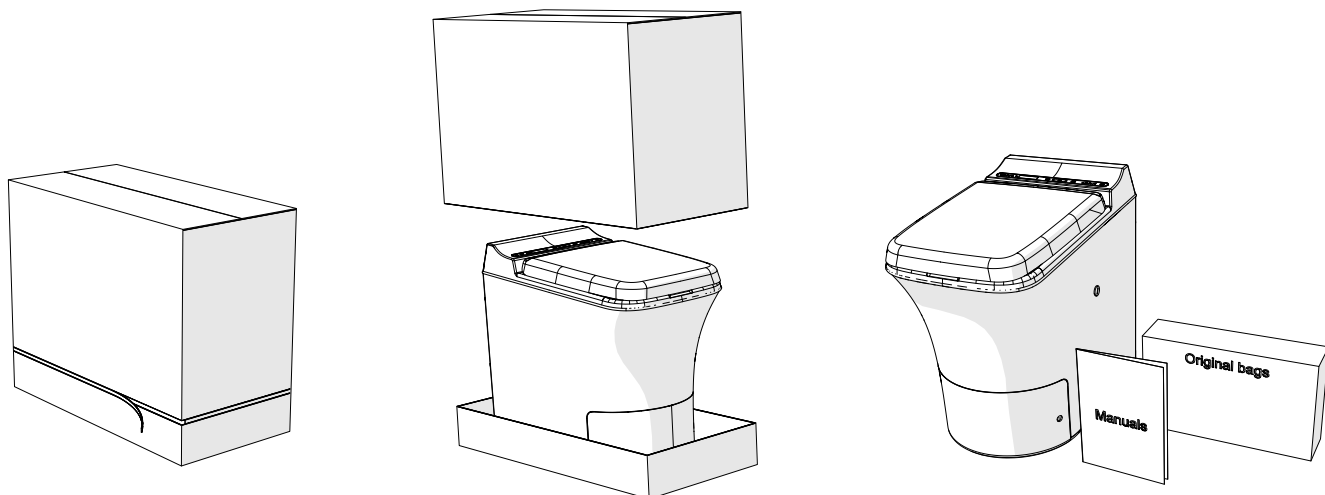
Du kan ladda ner produktdokumentation från vår dokumentationstjänst där du kan hitta produktmanualer, servicemanualer och en WEEE-manual gällande kassering (Waste Electrical and Electronic Equipment).

Service och reservdelar

Välj bostadsland och få en lista över lokala återförsäljare där du kan få service och reservdelar.

2. MONTERING

2.1 PACKA UPP CINDERELLA FÖRBRÄNNINGSTOALETT



OBS!

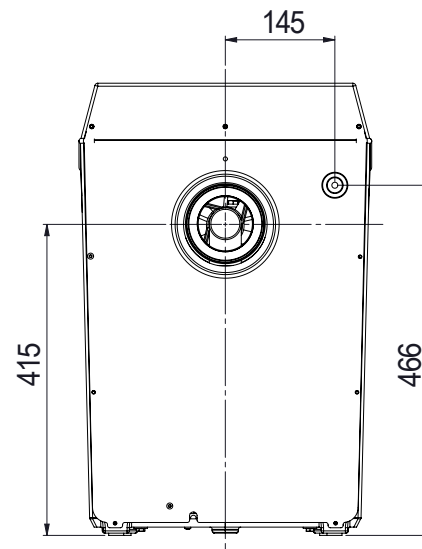
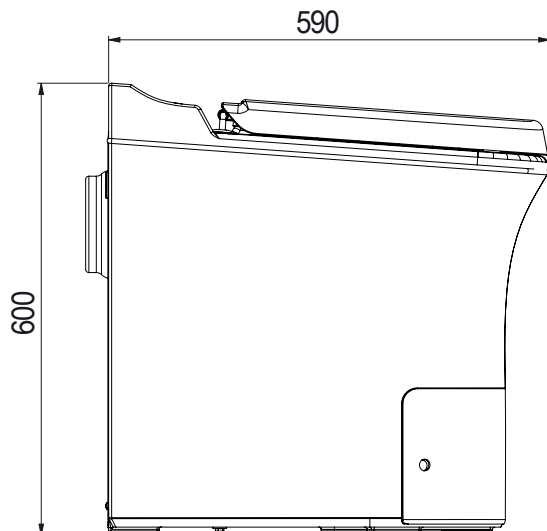
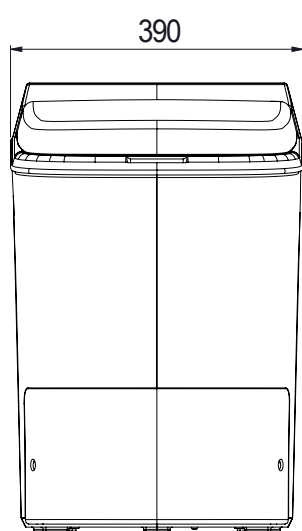
Öppna förpackningen genom att dra i remsan längst ner på lådan. Dra loss remsan hela vägen runt och lyft av lådan.

FÖRPACKNINGENS INNEHÅLL	ANTAL
Cinderella PM02CS03	1
Toalettpåsar	100
Bruksanvisning	1

2.2 MÅTTSPECIFIKATIONER

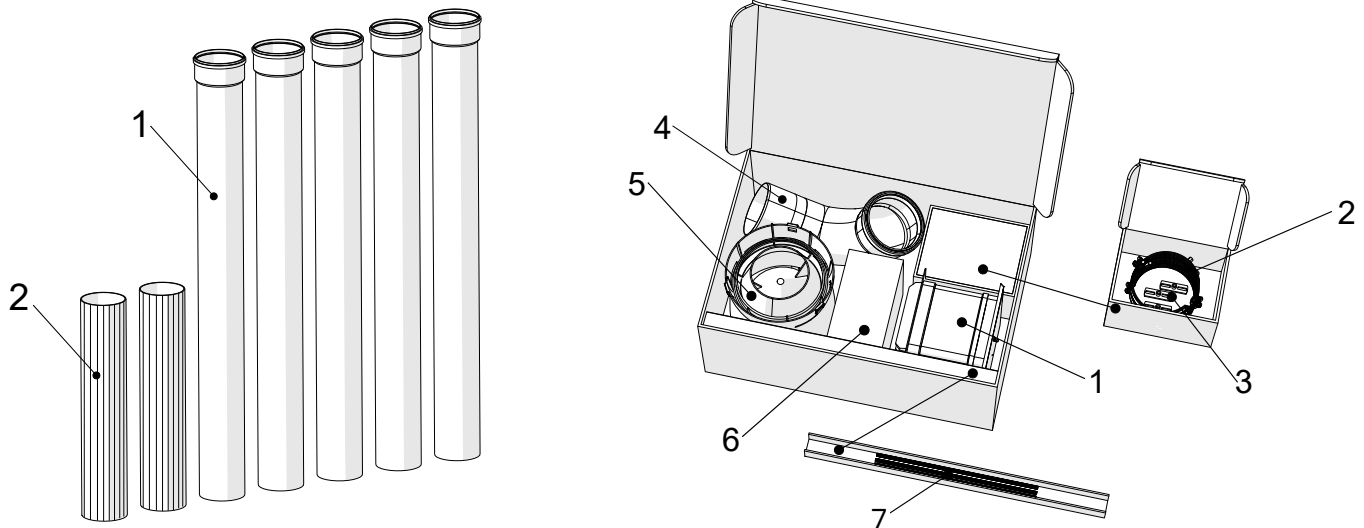
Höjd	600 mm
Sitthöjd	540 mm
Bredd	390 mm

Djup	590 mm
Höjd från mitten av frånluftsuttag	415 mm



2.3 CINDERELLA MONTERINGSSATS ORIGINAL

Cinderella Original monteringsats: Vi rekommenderar starkt att Cinderella Original monteringsats används vid monteringen. Detta kompletta paket innehåller alla delar som behövs för installationen och för att förbränningsprocessen och funktionaliteten ska bli optimala. I monteringsatsen finns två olika paket. Paket nr 1 innehåller en skorstenshuv och ett vinkelrör som optimerar luftflödet och förbränningseffektiviteten. Det ingår även ett specialdesignat 201 cm² stor tilluftsventil för optimal funktion. I setet finns även klämmor som används vid montering av frånluftsroren. Paket nr 2 innehåller 7 x 110 mm UV-stabiliserade PP-rör för installation av frånluftsventilationen.



CINDERELLA MONTERINGSSATS ORIGINAL		ANTAL
1	Skorstensrör 1066 mm hane-hona	5
2	Skorstensrör 500 mm hane-hane	2

CINDERELLA MONTERINGSSATS ORIGINAL		ANTAL
1	Tilluftsventil 160 mm (201 cm ²)	1
2	Rörklämma	3
3	Väggmonteringsstav	3
4	Böj 87 m/ kondensnippel	1
5	Regnhatt Flow	1
6	Gasol-regulator 30 m/bar*	1
7	Gängad stång 30 mm	3

*Endast Norge och Sverige



OBS!

- I denna handbok beskrivs hur toaletten monteras på bästa sätt med de delar som ingår i Cinderella Original monteringsats. Om du vill montera din Cinderella med andra delar än våra originalrör och -delar ska du se till att de uppfyller de specifikationer som anges i avsnitt 2.4.1 "specifikationer av delar och material".
- För att kunna garantera att din Cinderella förbränningstoarett ska fungera som avsett är det viktigt att ventilationen är tillräcklig och uppfyller specifikationerna i denna handbok. Om monteringslösningen avviker från tillverkarens specifikationer, eller om icke godkända delar används, kommer produkten att fungera felaktigt, slitas och orsaka dålig lukt samtidigt som garantin blir ogiltig.

2.4 INSTALLATION, SPECIFIKATIONER

2.4.1 SPECIFIKATIONER AV DELAR OCH MATERIAL

ARTIKEL	SPECIFIKATIONER
Skorstensrör	Cinderella Freedom ska alltid monteras med 110 mm-rör med slät insida och en inre diameter på minst 102 mm. Rörmaterialet måste tåla temperaturer över 100 °C och helst vara av PP- eller CPVC- typ. Vi rekommenderar starkt att Cinderella PP originalrör används.
Böj 87° (frånluft)	Cinderella Freedom ska alltid monteras med en rörvinkel med slät yta som inte begränsar luftflödet. Vi rekommenderar starkt att Cinderella original Böj 87° med dränering används.
Skorstenslock	Cinderella Freedom ska alltid monteras med en skorsthuv som förhindrar att regnvatten kommer in och som begränsar luftflödet så lite som möjligt. Fläktar eller liknande ska inte användas för att ventileras Cinderella förbränningstolett. Vi rekommenderar starkt att Cinderella originalhuv för skorstenar används.



OBS!

- Skorstensrörets insida ska vara slät och inte tillbucklad eller räfflad.
- Montera aldrig nät i Skorstensröret eftersom luftflödet då kan begränsas.
- Böj 87° ska vara åtkomlig efter att den monterats så att dräneringsröret kan spolas ur och frånlufts-röret rengöras.
- Cinderella Freedom är godkänd för användning i badrum/våtrum (IP 34-klassificerad). De yttre delarna ska dock skyddas från vattenstänk.
- Toaletten ska placeras på ett stabilt och plant underlag. Den kan även placeras på ett uppvärmt golv.

2.5 MONTERA CINDERELLA FÖRBRÄNNINGSTOALETT

Det är viktigt att säkerställa att ventilationen är tillräcklig och uppfyller de specifikationer som anges i denna bruksanvisning. Detta för att din nya Cinderella-toalett ska fungera korrekt. Felaktig montering kan orsaka funktionsfel, slitage eller luktproblem samtidigt som garantin blir ogiltig. Läs igenom alla avsnitt noga innan du börjar montera toaletten. Arbetet ska utföras av en behörig person i enlighet med lokala bestämmelser.



OBSERVERA!

- Följ alla de tekniska och administrativa lagar och regler som gäller i det land där toaletten ska monteras. Vi rekommenderar att du kontaktar din lokala återförsäljare för att planera monteringen av din Cinderella-toalett.
- Montera aldrig ytterligare vinklar utöver rörvinkeln.
- Om röret ska gå genom taket ska arbetet utföras i enlighet med gällande byggbestämmelser.
- Använd inte flexibla kanaler eller rör när Cinderella-toaletten ska monteras.
- Anslut aldrig mer än en apparat till ventilationen.

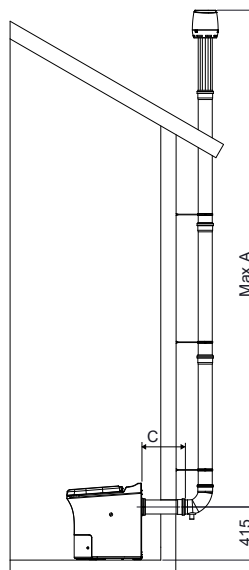
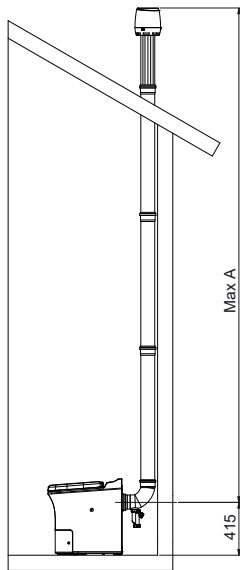


VARNING!

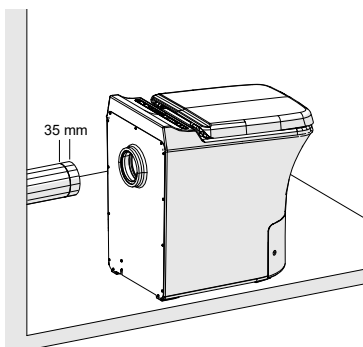
Försäkra dig alltid om att det inte går elledningar eller vattenrör i väggen där det ska göras hål.

2.5.1 MONTERA SKORSTENSRÖR

DIAMETER SKORSTENSRÖR	MONTERINGSRIKTNING	REFERENS	RÖRVINKLAR	MAXIMAL RÖRLÄNGD
110 mm	Horisontellt skorstensrör	C	(Ej tillåtet)	1,0 m
110 mm	Vertikalt skorstensrör	A	Inga	5,0 m

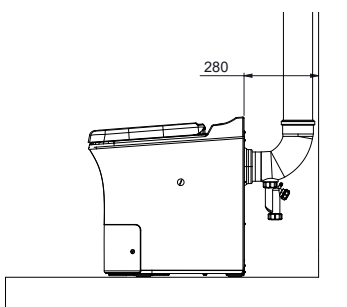


OBS!
Mittpunkten för ventilationsanslutningen sitter 415 mm över golvnivå.



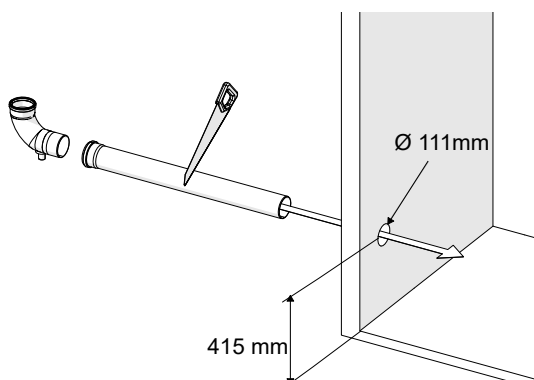
OBS!

Om du ska justera rörlängden bör du ta med i beräkningen att röret ska föras in 35 mm i ventilationsanslutningen på toaletten.



OBS!

Om röret ska monteras vertikalt, rakt upp från toaletten, ska avståndet mellan toaletten och väggen vara minst 280 mm.

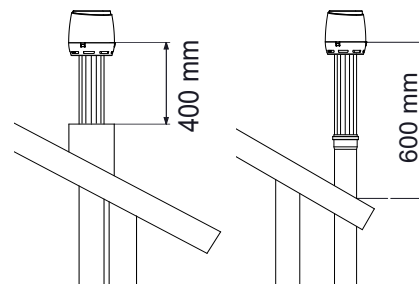


OBS!

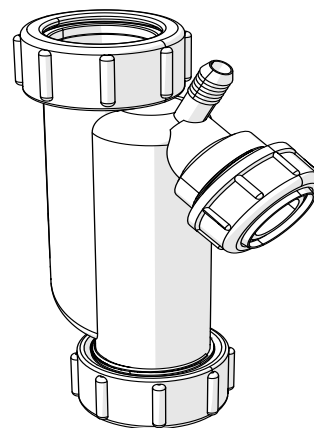
Cinderellas originalmonteringssett innehåller 5 x 1066 mm rör som används för frånlufts-lösningen. Rören levereras med anslutning och packning för förenklad montering. Om röret ska monteras på väggens utsida behöver det ledas genom väggen.

**OBS!**

- Röret ska alltid vara vertikalt monterat ovanpå taket och nå minst 600 mm ovanför takytan. Om frånluftsroret ska beklädas (t.ex. med metallbeläggning) ska röret sticka upp minst 400 mm ovanför beklädnaden.
- Om det är sannolikt att snö kommer att lägga sig på taket kan röret behöva förlängas och stabiliseras ordentligt. Kom ihåg att inte förlänga röret så mycket att maxgränsen överskrids.

**OBS!**

Cinderella erbjuder en specialdesignad "sifon" som passar till den rörvinkel som ingår i monteringssetsen. Sifonen kan köpas som tillbehör hos alla Cinderella-återförljare. Om installationen görs inomhus ska sifonen anslutas till rörvinkeln för att förhindra att kondens- och regnvatten droppar ner på golvet. Om kondensvattnet inte töms ut regelbundet kan golvet skadas.

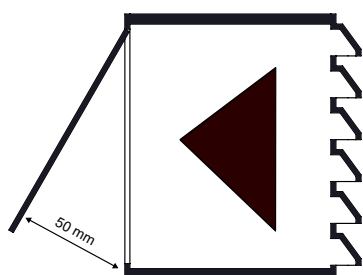


2.5.2 ANSLUTNING AV TILLUFTSVENTIL

Det måste finnas ett luftintag som uppfyller tillverkarens specifikationer. Detta för att säkerställa att luftcirkulationen och syretillförseln blir tillräcklig. I Cinderella Original monteringssets ingår en specialdesignad luftventil som ger ett optimalt flöde och ökad effektivitet. Luftventilen ska helst monteras så nära Cinderella-toaletten som möjligt, så att lufttillförseln blir optimal och luften i rummet påverkas så lite som möjligt. Det är viktigt att inga andra luftförbrukande apparater används samtidigt som toaletten, exempelvis köksfläktar eller kaminer. Cinderella Freedom tar in luft främst från toalettens undersida. Det är därför möjligt att placera luftintaget under toaletten. Det gör att så mycket luft som möjligt kan isoleras till toaletten, så att luftmiljön i rummet påverkas så lite som möjligt.

**OBS!**

- Luftventilens mått ska vara minst 160 mm (diameter)/201 cm²
- Ventilen ska alltid vara öppen när produkten används. Kom ihåg att regelbundet rengöra ventilen.
- Se till att toalettens lufttillförsel inte får konkurrens från andra installationer, t.ex. en kamin eller köksfläkt.
- När toaletten används bör inte en separat ventilationsfläkt eller liknande användas för att suga ut luft från det rum där Cinderella Freedom står.
- Om du har öppen ventilation under toaletten, kan det vara en bra idé att sätta ett nät över hålet för att förhindra att insekter och skadedjur tar sig in i toaletten. Se till att nätet inte är för finmaskigt (maskorna bör vara minst 5 mm stora). Annars kan luftflödet begränsas.

**OBS!**

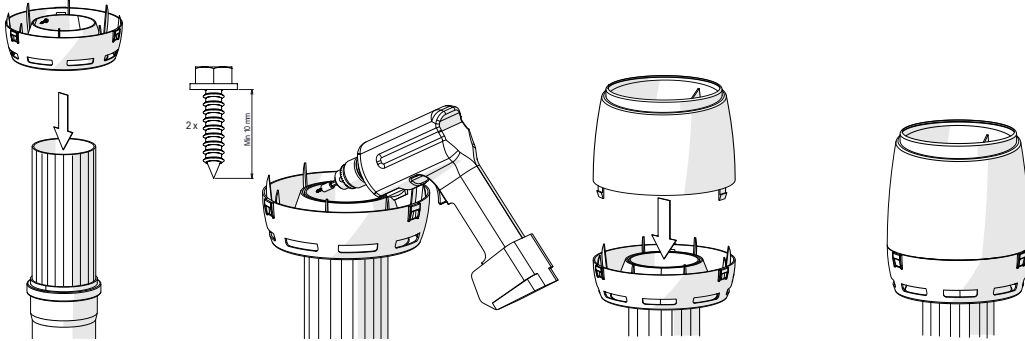
Om den installerade luftventilen har en justerbar öppning, ska den vara minst 75 mm öppen när toaletten används.

2.5.3 MONTERA CINDERELLA ORIGINAL REGNHATT FÖR SKORSTEN



OBS!

Cinderella monteringssett original innehåller en regnhatt som är designad för optimalt luftflöde och ökad effektivitet. Hatten består av två delar där den nedre delen fästs mot röret med skruv av rostfritt stål eller lim. Det gör att det går enkelt att montera och demontera huven när skorstensrören ska underhållas. Det 500 mm långa rör som följer med monteringssetten ska användas som avslutande del för anslutning till regnhatten.



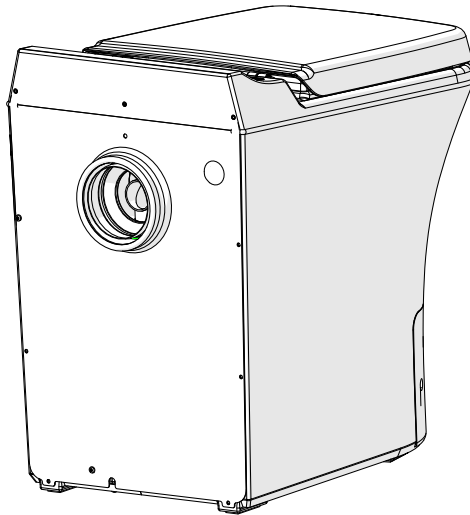
2.5.4 GASINSTALLATION

Se till att använda en godkänd gasregulator när gas ska anslutas till toaletten. Anslutningstypen är ¼" NTP.



VARNING!

- Gastrycket ska alltid överensstämma med det som anges på typskylten på toalettens baksida.
- Använd endast den typ av gas som anges på typskylten på toalettens baksida.
- Toaletten är endast avsedd för montering inomhus.



SPECIFIKATIONER	VÄRDE	KOMMENTAR
Bränsleförbrukning	160-190 g	Per förbränning
Ingående gastryck	30 mBar	
Gastyp	LPG	
Gasanslutning	G ¼" LH	
Öppningsstorlek	1 mm	

2.6 SPECIFIKATIONER OCH KRAV GÄLLANDE ELANSLUTNING

Produkten ska anslutas till korrekt spänning, frekvens och strömstyrka via en separat jordad krets som skyddas av en krets brytare med lämplig dimension. Vilken spänning, frekvens och strömstyrka som är korrekt anges i denna bruksanvisning samt på typskylten på toalettens baksida. Obs: Denna toalett ska anslutas till 12V 4A DC. Om den måste anslutas via ett 240V AC-uttag (GPO), bör du be din återförsäljare om en godkänd elkontakt.

Elanslutning	INEFFEKT	STRÖMSTYRKA	SÄKRING
	12V DC (11 – 14,4V)	4 A	10 A
Elförbrukning	VIOLÄGE	STANDBYLÄGE	FÖRBRÄNNINGSLÄGE
	0,005 A	0,09 A	1,3 A
Polaritet, anslutning	TVÄRSNITT	POSITIV	NEGATIV
	2 mm ²	Röd	Svart

De svarta respektive röda kablarna för DC-anslutningen får inte sammanföras, eftersom det då kan uppstå elektriska störningar och elkomponenter kan skadas. 12V-kabeln ska kopplas till en separat krets som går direkt till batteriet, och det ska finnas en 10 A-säkring i början av kretsen. Använd guiden till 12V-kablage för att beräkna rätt kabelstorlek baserat på kabellängd.

GUIDE TILL 12V-KABLAGE						
Ampere	1 m	2 m	5 m	6 m	8 m	10 m
4	2 mm ²	2 mm ²	2 mm ²	4 mm ²	4 mm ²	4 mm ²

Tänk på följande när toaletten ska anslutas till likström via elnätet:

- Kontrollera att kabeln är dimensionerad för den belastning som kretsen förväntas utsättas för, med en viss säkerhetsmarginal.
- Se till att kabelns tvärsnitt är dimensionerat för kabelns längd och att kabeln inte orsakar spänningsförlust.
- Kontrollera alltid kablarnas polaritet innan de ansluts. Om de ansluts till fel poler, gäller inte garantin.



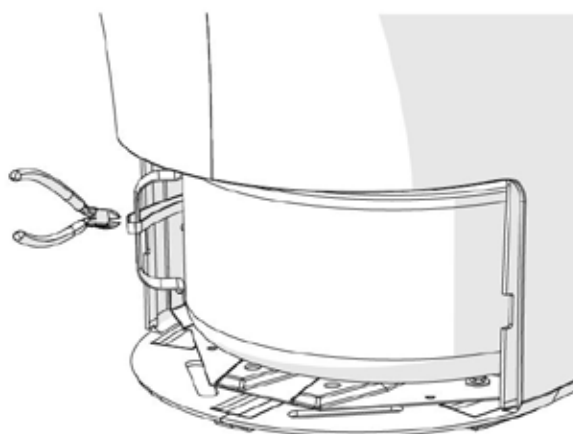
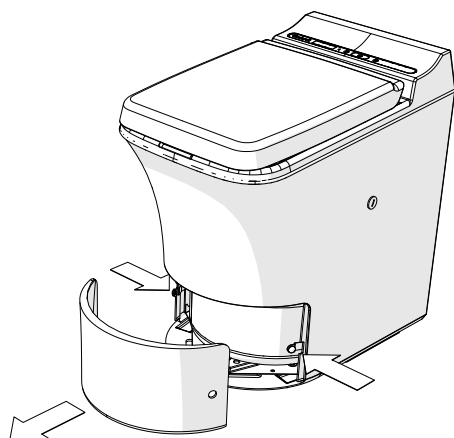
OBS!

- Anslutningskabeln ska dras så att den inte kommer i kontakt med vassa kanter.
- Om elektroniken eller anslutningskabeln måste modifieras ska arbetet utföras av en behörig elektriker eller motsvarande så att säkerhetsrisker kan undvikas.

2.7 TA BORT TRANSPORTSÄKRINGSREMSA

Askbehållaren är fastspänd med remsor som måste avlägsnas innan toaletten används:

1. Ta bort frontpanelen.
2. Klipp av och avlägsna de plastremmar som håller fast askbehållaren i stålramen.



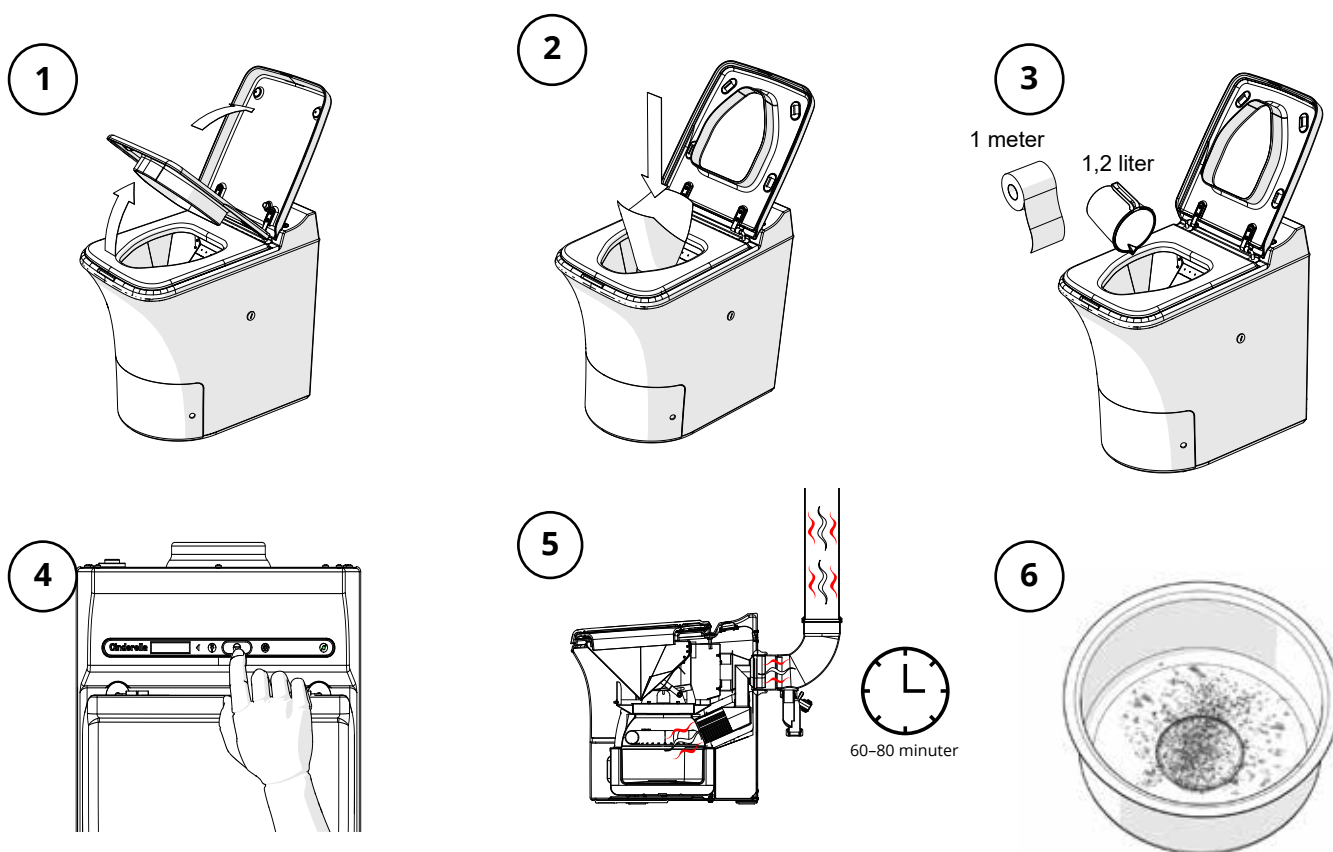
2.8 CHECKLISTA FÖR VERIFIERING AV SLUTFÖRD INSTALLATION

KONTROLLERA FÖLJANDE	KRAVET UPPFYLLT
Produkten är ansluten till den spänning som anges på typskylten	
Produkten är ansluten till det gstryck som anges på typskylten	
Produkten är monterad i enlighet med tillverkarens specifikationer	
Skorstensröret är monterat i enlighet med tillverkarens specifikationer	
Skorstenen mynnar ut minst 600 mm från takytan	
En självdränerande "sifon" har monterats där kondens sannolikt kan uppstå	
Material till skorstensröret har monterats i enlighet med tillverkarens specifikationer	
Regnhatten har monterats i enlighet med tillverkarens specifikationer	
Tilluftslösningen överensstämmer med tillverkarens specifikationer	

2.9 PRESTANDATEST FÖR VERIFIERING AV SYSTEMETS FUNKTIONALITET

När startknappen trycks in aktiveras förbränningscykeln. Den beräknade förbränningstiden för verifieringstestet är 60–80 minuter. Den gula lampan lyser när förbränning pågår och testet ska kunna slutföras utan att det förekommer felmeddelanden eller systemavbrott. Toaletten måste svalna tills dess att fläkten stannat innan askbehållaren kan tas ut. Nedkylningsfasen kan ta 60–90 minuter beroende på omgivningstemperatur.

Slutprodukten ska vara fin vit aska. Eventuellt avvikande utseende eller en förbränningstid som överstiger 90 minuter kan tyda på att skorstenskanalen är igensatt eller att det är brist på syre. Kontrollera att installationen överensstämmer med tillverkarens specifikationer, vilka anges i avsnitt 2 i denna bruksanvisning.



VARNING!

Askbehållaren blir mycket het under förbränning. Ta inte bort frontluckan förrän toaletten svalnat helt och fläkten stannat.



OBS!

- Prestandatestet är utformat för att genomföras innan toaletten börjar användas. Resultaten kan variera om testet utförs på använda toaletter.

3. ANVÄNDNING

3.1 AVSEDD ANVÄNDNING OCH HANTERING

Cinderella Freedom-toaletten är avsedd att monteras inomhus för användning i fritidshus, stugor, uthus, baracker, båthus och liknande. Toaletten är endast utformad för förbränning av kroppsliga avfallsprodukter och mindre hygienprodukter som toalettpapper, bindor och våtservetter som inte innehåller alkohol. Om Cinderella Freedom används för förbränning av andra föremål anses detta som felaktig användning och garantin blir då ogiltig.

Lägg inte något av följande i toaletten:

- Stora mängder papper av något slag
- Klorinbaserade rengöringsmedel
- Rengöringsservetter innehållande alkohol
- Tidningspapper
- Pappershanddukar
- Brandfarliga vätskor eller material
- Cigaretändare
- Cigaretter eller cigarrer
- Bensin
- Alkoholhaltiga drycker eller vätskor
- Rengöringssprit
- Nagellacksborttagning
- Tändvätska
- Lampolja/fotogen
- Aerosolbehållare
- Glas- eller plastflaskor, burkar etc.

3.2 ALLMÄN SÄKERHET



VARNING!

- Använd inte förbränningstoaletten om den har synliga skador.
- Om strömkabeln till toaletten är skadad ska den av säkerhetsskäl bytas ut av tillverkaren, kundservice eller en motsvarande behörig person.
- Denna förbränningstolett får endast repareras av behörig personal. Reparationer utförda av obehöriga personer kan medföra fara eller skada toaletten.
- Rengöring och underhåll får inte utföras av barn utan överinseende.
- Använd inte explosiva ämnen eller brandfarliga rengöringsmedel när toaletten ska rengöras.

3.3 SÄKERHETSANVISNINGAR VID GASDRIFT



VARNING!

- Använd aldrig en öppen låga för att kontrollera gasfyllda delar och rör beträffande läckage, eftersom detta medför brand- och explosionsrisk.
- I händelse av gaslukt:
 - Stäng gaskranen och ventilen på tuben.– Öppna alla fönster och lämna rummet.
 - Slå inte på eller av några strömbrytare.– Släck eventuella öppna lågor.
 - Anlita en specialist för att kontrollera gassystemet.

3.4 SÄKER DRIFT



VARNING!

- Askbehållaren i toaletten blir mycket varm under förbränning. Se till att säkerhetsluckan sitter på plats när toaletten används. Töm inte askbehållaren förrän toaletten har svalnat helt.
- Sittringen har ingen mjukstängningsfunktion. Akta därför händer och fingrar så att de inte kläms när locket eller sittringen fälls ner.

3.5 CINDERELLA FREEDOM SÄKERHETSFUNCTIONER

- Förbränningsprocessen är inaktiv när toalettlocket är uppfällt. Förbränningen startar inte förrän locket och sittringen är nerfällna.
- Luckan till förbränningskammaren kan INTE öppnas så länge toaletten är varm (t.ex. för rengöring). Den kan endast öppnas när toaletten har svalnat och fläkten stannat.

- Om det uppstår problem med ventilationen och temperaturen inuti toaletten stiger till över 105 °C avbryts förbränningen och det visas ett varningsmeddelande. Innan toaletten kan användas igen måste ventilationsproblemet åtgärdas och systemet omstartas manuellt.
- Om askbehållaren sitter fel efter tömning kommer förbränningen inte att starta och det tänds då en varningslampa och ett meddelande visas.
- Om det uppstår problem med förbränningskammarens luckmekanism så att luckan inte kan stängas kommer förbränningen inte att starta och det visas ett felmeddelande.
- Cinderella Freedom är utrustad med en smart programvara med en "vaktbunds"-funktion som övervakar temperaturen under förbränningsprocessen. Om avvikelser från det normala temperaturintervallet registreras stoppas förbränningen omedelbart och det visas ett varningsmeddelande.

3.6 VIKTIG INFORMATION TILL ANVÄNDARE



OBS!

- Kom ihåg att sätta en ny påse i toaletten innan den används – en påse per besök.
- Toalettlocket ska alltid vara stängt när toaletten inte används. Förbränningen startar eller återupptas inte förrän locket har stängts.
- Förbränningscykeln kan ta upp till 180 minuter från det senaste besöket.
- Fläkten fortsätter att köra tills förbränningen är avslutad och temperaturen inuti toaletten åter är inom normalintervallet. Nedkylningsfasen kan pågå i mer än 120 minuter efter att förbränningen är klar, beroende på temperaturen på den luft som tillförs.
- Cinderella-toaletten kan användas när som helst under tiden förbränning eller nedkylning pågår. Förbränningen avbryts när toaletten används. Se till att fälla ner locket och trycka på start efter varje besök.



Kapacitet för 4 personer

Cinderella Freedom-toaletten är designad för att kunna hantera upp till fyra besök per timme. För att undvika överbelastning rekommenderas högst fyra besök per timme. Om toaletten överbelastas och det görs fler besök under en kort tidsperiod utan att en förbränningscykel slutförts kan det uppstå dålig lukt och läckage plus att toaletten kan ta skada.



Tömningsfrekvens

Systemets avfallsbehållare rymmer 5 liter. Askbehållaren ska tömmas ofta (en gång i veckan) för att toaletten ska fungera optimalt. Förbränningen sker då effektivare och katalysatorn blir renare.

Om askbehållaren inte har tagits ut (för veckovis tömning) visas efter 90 förbränningscykler ett meddelande om att behållaren bör tömmas. Om den inte tömts efter 120 besök spärras toaletten för fler besök. Vi rekommenderar att du tömmer toaletten så ofta det är möjligt för att säkerställa en bättre förbränningseffektivitet och mindre slitage på produkten.

Om askbehållaren inte töms när den är full kan toaletten skadas och garantin bli ogiltig.



Ställ i ordning toaletten för en längre tids uppehåll

Om toaletten inte ska användas under en längre period ska avfallet förbrännas och askbehållaren tömmas.



Kort period av ökad användning

Om många väntas använda toaletten under en kort tidsperiod bör du följa dessa råd:

1. Töm askbehållaren helt innan gästerna anländer.
2. Förvärm toaletten innan användning genom att öppna och stänga locket och sedan trycka på startknappen.
3. Informera gästerna om att de ska använda en toalettpåse och sedan trycka på start efter varje besök.
4. Kontrollera regelbundet att toalettlocket är stängt och att den gula förbränningslampan fortfarande lyser.
5. Du kan behöva köra en eller två extra förbränningscykler för att avfallet ska bli helt förbränt innan askbehållaren töms.

3.7 KONTROLLPANELEN

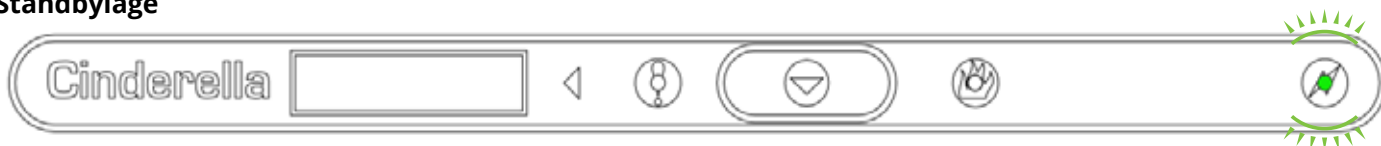
Kontrollpanelen avger både ljus och ljud samt visar meddelanden för att ge bästa möjliga användarupplevelse. Det finns ett antal ljus- och ljudkombinationer som informerar användaren om status för systemet. Det är viktigt att alla användare bekantar sig med dessa signaler innan de använder toaletten. En översikt över ljus- och ljudsignalerna finns i felsökningstabellen i avsnitt 5.1.



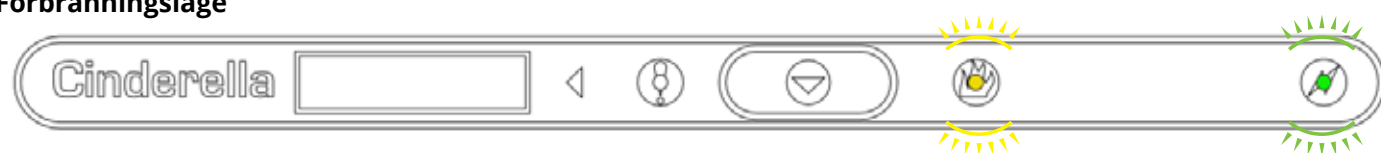
OBS!

- En grön lampa visar att toaletten förses med ström. När endast den gröna lampan lyser är toaletten i standbyläge och redo att användas.
- En gul lampa visar att förbränningsprocessen pågår. Den lyser konstant så länge toaletten är i förbränningsläge.
- När en röd lampa lyser har ett fel uppstått och toaletten är inte längre i förbrännings- eller standbyläge.

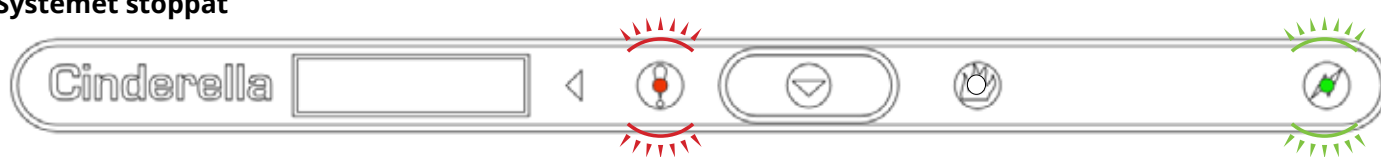
Standbyläge



Förbränningsläge



Systemet stoppat

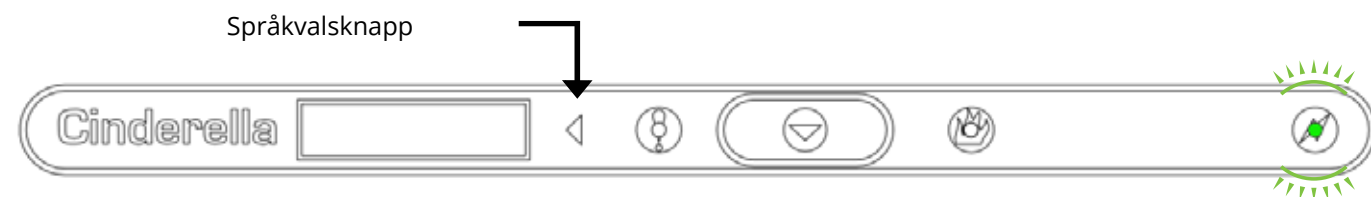


Välja språk

Håll in knappen "välj språk" i tre sekunder tills det står "språk" på första raden.

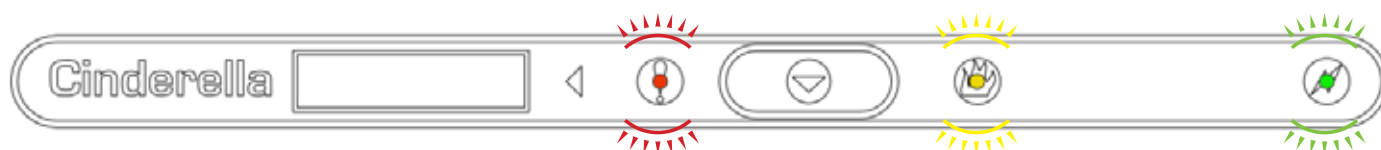
Nuvarande språk visas på andra raden. Tryck in språkvalsknappen upprepade gånger tills önskat språk visas. Det nya språket sparas automatiskt några sekunder efter att du valt språk. Därefter återgår toaletten till driftläge.

Språkvalsknapp



Tömningsindikator

Cinderella Freedom signalerar när det är dags att tömma askbehållaren. På displayen visas "TÖM ASKBEHÅLLAREN" och det hörs tre korta pip när toalettlocket fälls upp. Om den inte töms efter ett visst antal besök kommer toaletten att spärras. Då lyser de gula, röda och gröna lamporna konstant och på displayen visas "TOALLETEN LÅST BEHÅLLAREN FULL". Det hörs tre korta pip var tionde sekund tills askbehållaren har tömts.



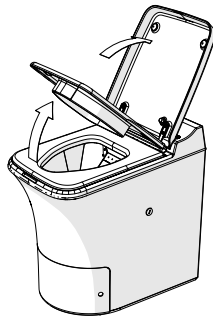
3.8 ATT ANVÄNDA CINDERELLA FREEDOM

1



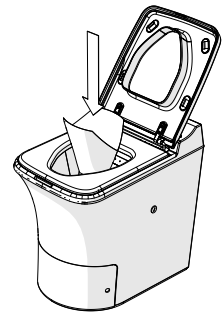
1. Kontrollera att den gröna lampan på kontrollpanelen lyser, dvs. att toaletten är elansluten och redo för användning.

2



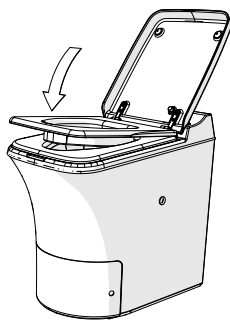
2. Fäll upp toalettlocket och sittringen. Den röda lampan börjar då blinka. Ventilationsfläkten startar.

3



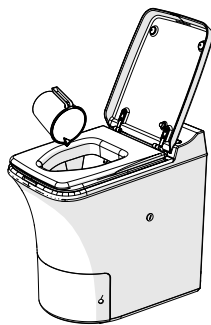
3. Sätt en toalettpåse i skålen. Sätt i en ny påse vid varje besök.

4



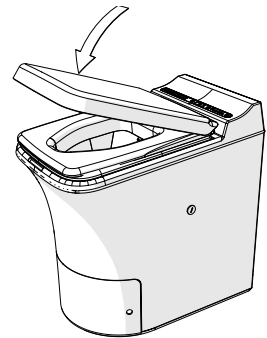
4. Fäll ner sittringen. Toaletten är nu redo att användas.

5



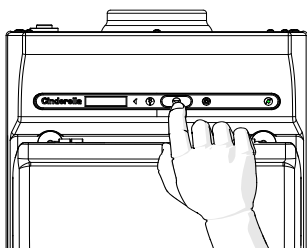
5. Använd toaletten som vanligt. Om det bara finns en liten mängd avfall i påsen kan man hälla lite vatten i påsen så att den blir tyngre.

6



6. Stäng toalettlocket.

7



7. När startknappen trycks in släpps påsen med innehåll ner i förbränningskammaren. Förbränningen startar så snart luckan stängs. Toaletten är nu redo för nästa besök.

8



8. Under förbränningen lyser en gul lampa konstant. Toaletten kan användas under tiden. Då avbryts förbränningen tillfälligt. Förbränningstiden kan variera beroende på antalet besök och mängden avfall.

3.9 HANTERA FRONTPANELEN OCH ASKBEHÅLLAREN



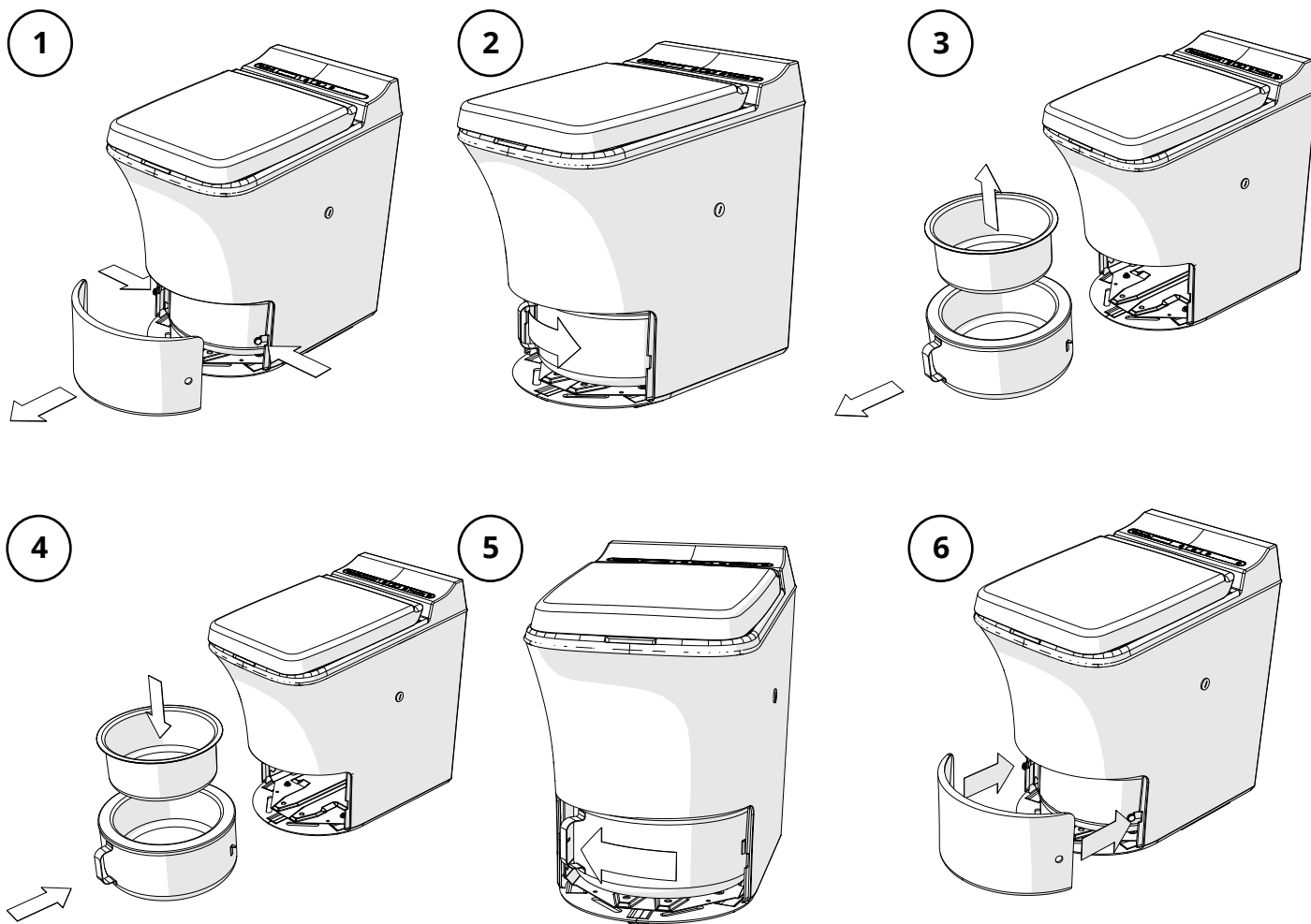
VARNING!

Askbehållaren får endast hanteras när toaletten har svalnat och försatts i standbyläge.



OBS!

I avsnittet om underhåll finns instruktioner om rengöring och tömning av askbehållaren.



4. ALLMÄNT UNDERHÅLL

Denna bruksanvisning innehåller både information om allmänt underhåll och underhåll som ska utföras av personer som har erforderlig kompetens och behörighet.

Ett välfungerande ventilationssystem är avgörande för att toaletten ska fungera som avsett. Partiklar som genereras under förbränningsprocessen kan med tiden täppa till katalysatorn och frånluftsriöret. Det är därför viktigt att regelbundet underhålla dessa delar för att de ska fungera korrekt.

För att säkerställa en optimal funktionalitet och förlänga livslängden för din Cinderella Freedom behöver du ägna lite tid åt förebyggande underhåll. Med bra rutiner för underhåll blir driftskostnaderna lägre och produkten utsätts för mindre slitage. Vi rekommenderar starkt våra kunder att regelbundet utföra följande underhåll:

1. Töm toaletten ofta. Basera inte underhållsrutinerna på maxgränser.
2. Rengör alltid askbehållaren och insatsen när de tömts (se avsnitt 4.2.1).
3. Ångtvätta alltid toalettskålen när en förpackning (500) påsar använts, gärna efter att askbehållaren tömts och rengjorts. (Se avsnitt 4.2.2).
4. Kontrollera alltid hur askan ser ut när toaletten töms. Om slutprodukten har ett avvikande utseende kan det behövas underhåll eller service (se avsnitt 4.1).

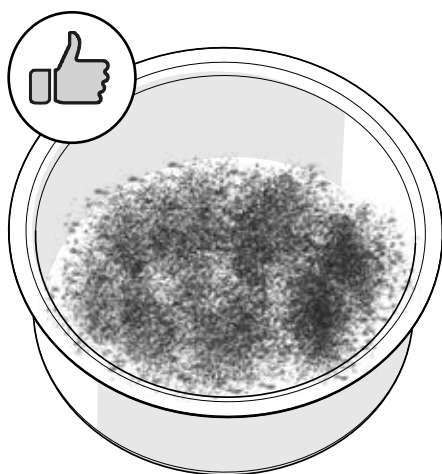


VARNING!

Se till att toaletten inte är i förbränningsläge och att den har svalnat tillräckligt innan underhåll påbörjas.

4.1 SLUTPRODUKTENS EGENSKAPER

Restavfallet, eller askan, innehåller patologiska rester, salter och mineraler och kan därför ofta uppfattas som hårt och kristalliserat. Det ska inte finnas några synliga rester av papper eller flagor av oförbränt avfall. Askan ska bestå av en blandning av vita och mörkgrå partiklar. Om det finns större mängder svart oförbränt avfall, fukt eller papper i behållaren ska en ny förbränning startas utan att ytterligare papper eller vatten tillsätts. När förbränningen avslutats ska behållaren tömmas och underhåll utföras i enlighet med instruktionerna i denna bruksanvisning.

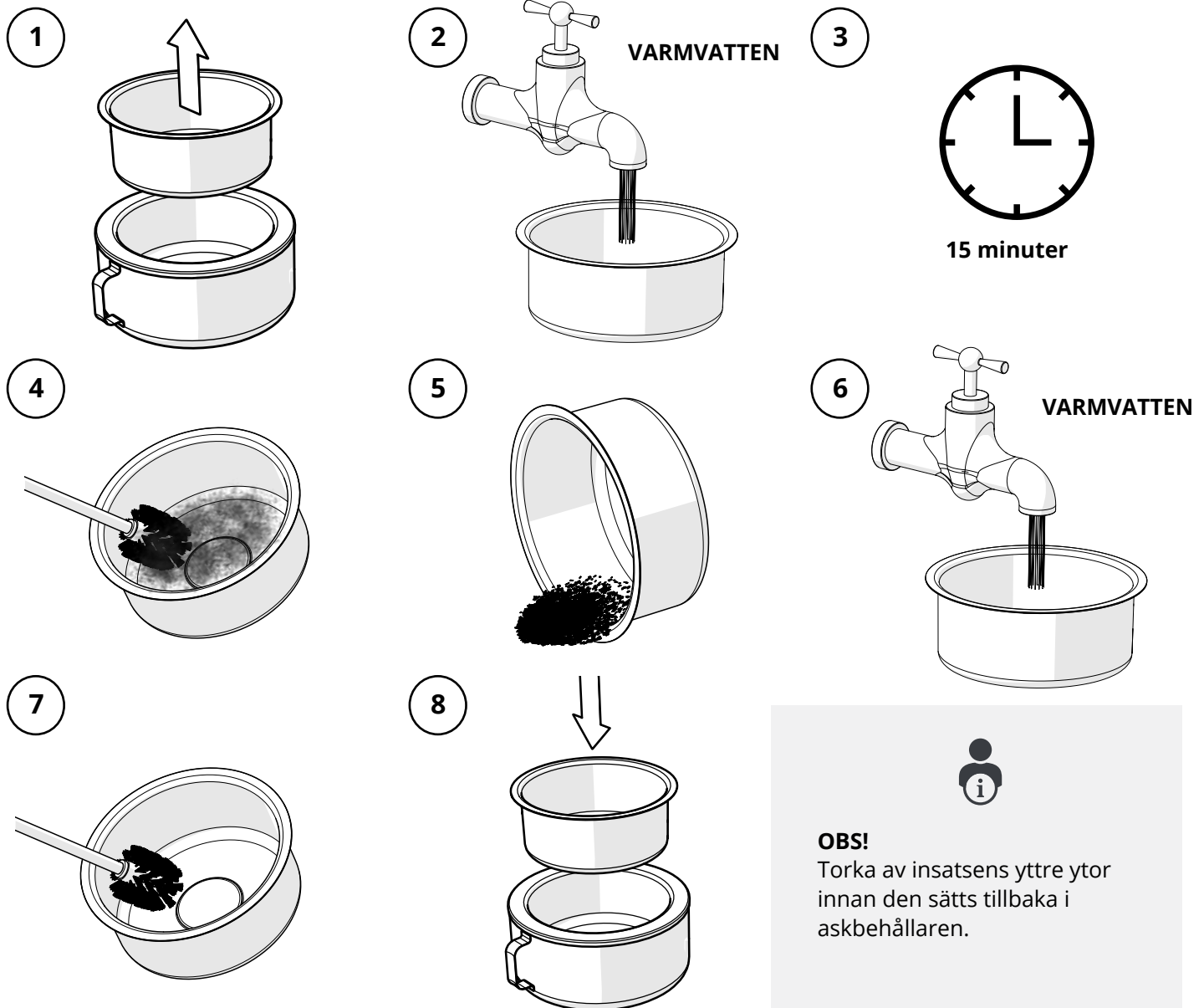


OBSERVERA!

- Askan är inte lämplig att använda som gödning eller kompostmaterial. Den ska sorteras som hushållsavfall i enlighet med gällande bestämmelser.
- Restaskan är steril och säker att hantera när den förbränts ordentligt och har en ljus färg. Om askan är svart och flagig eller förbränningscykeln varit ofullständig ska en ny förbränning startas så att askan förbränns helt. Om problemen kvarstår finns mer information i felsökningsavsnittet.

4.2 ALLMÄNT UNDERHÅLL

4.2.1 TÖMNING OCH RENGÖRING AV ASKBEHÅLLARE



OBSERVERA!

Använd inte vassa verktyg eller föremål när askbehållarens insats rengörs eftersom den då kan skadas och dess livslängd förkortas.



OBS!

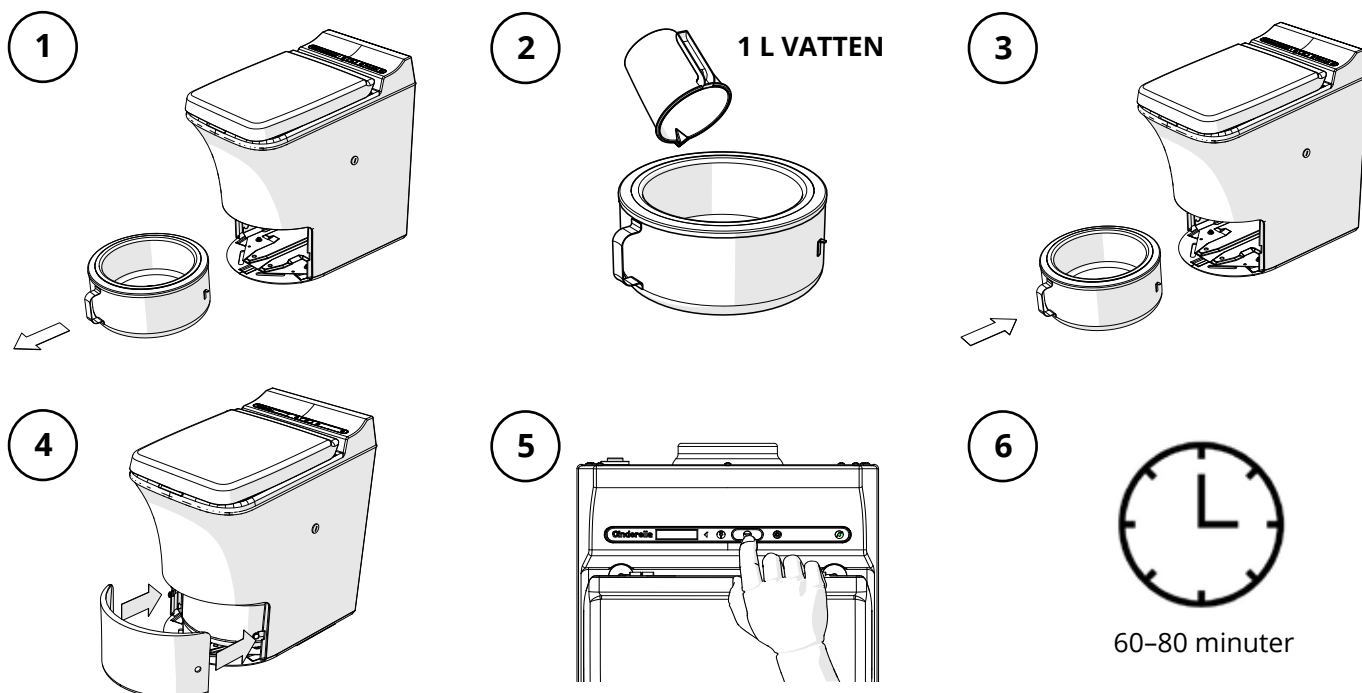
- För att toalettens funktionalitet ska bibehållas rekommenderar vi att du utför ångrengöring i enlighet med avsnitt 4.2.2 varje gång du tömmer och rengör insatsen. Då förhindrar man att det bildas tjära och oönskade avlagringar i katalysatorn och frånluftssystemet.
- Se till att toalettens elkabel är ansluten när askan ska tömmas. Om den töms utan att elen är ansluten kan systemet inte återställa räknaren.

4.2.2 ÅNGRENGÖRING AV KATALYSATORN

Rekommenderad frekvens: När askbehållaren töms eller minst efter var 500:e användning. Att utföra ångrengöring:

1. Kontrollera att toaletten är sval och att askbehållaren tömts och rengjorts (se avsnitt 4.2.1).
2. Ta bort frontpanelen och ta ur askbehållaren.
3. Häll cirka 1 liter rent vatten i insatsen.

4. Sätt försiktigt in askbehållaren så att inget vatten skvimpar ut och sätt tillbaka frontpanelen.
5. Lyft upp locket och kontrollera att fläkten börjar rotera.
6. Tryck på start för att påbörja en förbränningscykel.
7. Vattnet börjar då koka och ångan kommer att avlägsna eventuell smuts från katalysatorn. Denna rengöring tar normalt 60–80 minuter.



OBS!

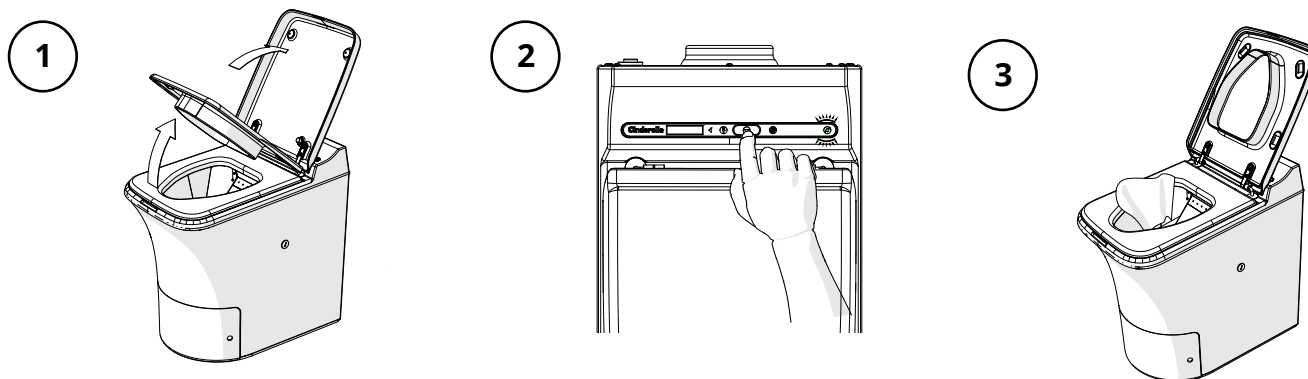
Använd inte toaletten under underhållsprocessen eftersom rengöringsfunktionen då blir mindre effektiv. Toaletten kan användas när den åter försatts i standbyläge.

4.2.3 RENGÖRING AV TOALETTSKÅLEN

Rekommenderad frekvens: vid behov samt när askbehållaren töms.

Rengöring av toalettskålen:

1. Fäll upp toalettlocket.
2. Tryck in startknappen i tre sekunder så att luckan ställs i rengöringsläge.
3. Torka med fuktat papper och vid behov ett mildt rengöringsmedel. Stäng locket och starta en förbränning.



VARNING!

Rengör inte toalettskålen med brandfarliga rengöringsmedel. Vissa metalldelar har vassa kanter. Toaletten ska ha svalnat och vara i standbyläge när toalettskålen rengörs.



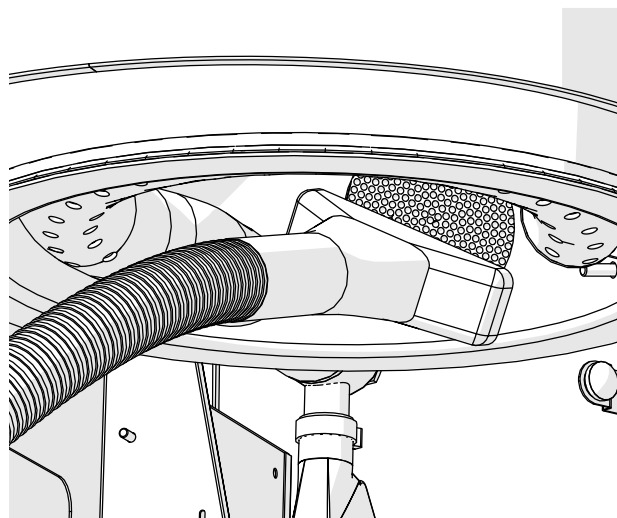
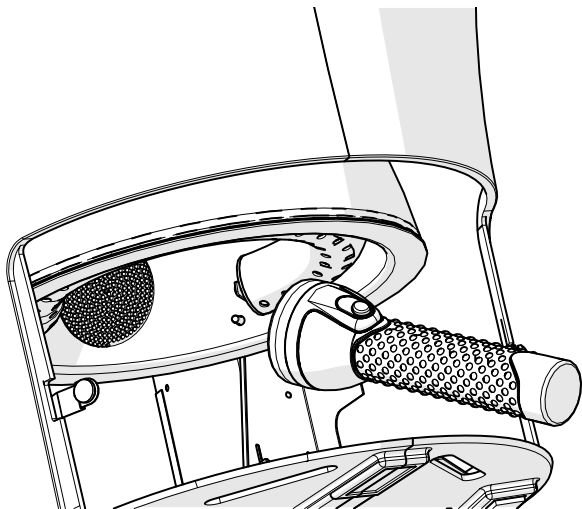
OBSERVERA!

Använd inte klorinbaserade produkter för att rengöra skålen. Klorin är extremt skadligt för katalysatorn och kan orsaka funktionsfel.

4.2.4 KONTROLLERA OCH RENGÖRA KATALYSATORN MED DAMMSUGARE

Rekommenderad frekvens: Efter 500 toalettbesök.

Katalysatorn är den primära luftkanalen mellan förbränningskammaren och skorstensröret. Om det ansamlas partiklar i katalysatorn försämrar luftflödet och toalettens effektivitet. Det är därför viktigt att se till att katalysatorn alltid är fri från beläggningar. Om förbränningstiden blir längre och/eller förbränningseffektiviteten sämre kan katalysatorn vara igensatt. Det bästa och enklaste sättet att rengöra katalysatorn på är att utföra ångrengöring. Se beskrivning i avsnitt 4.2.2. Du kan också inspektera fronten på katalysatorn genom att ta bort askbehållaren och lysa upp i förbränningskammaren inifrån. Eventuella partiklar och ansamlingar kan avlägsnas med en dammsugare.



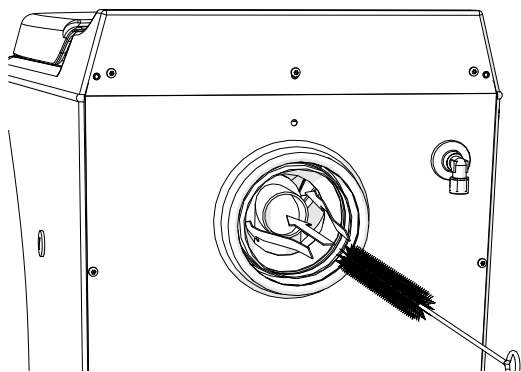
OBS!

Tydliga tecken på korrosion i eller deformation tyder på att katalysatorn behöver bytas. Kontakta din lokala serviceleverantör för att beställa service.

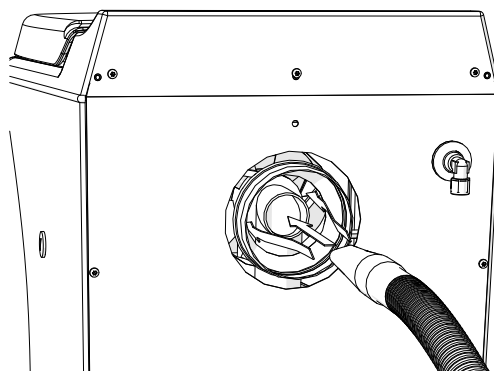
4.2.5 RENGÖRING AV RÖRANSLUTNING

Rekommenderad frekvens: minst efter vart 500:e toalettbesök.

1. Toaletten ska demonteras från skorstensröret och elkabeln ska dras ur.
2. Rengör röranslutningen med en diskborste eller liknande. Det är viktigt att både röret och alla delar ända in till fläktbladen rengörs för att luftflödet ska bli optimalt.
3. Ta ut askbehållaren och avlägsna eventuell smuts från behållaren.
4. Använd en dammsugare för att få bort återstående smuts från frånlufts-röret och katalysatorn.
5. Anslut därefter toaletten till skorstensröret och elkabeln.
6. Montera askbehållaren och frontpanelen.
7. Vi rekommenderar att man utför en ångrengöring enligt beskrivningen i avsnitt 4.2.2 efter att röranslutningen rengjorts.



RENGÖR FRÅNLUFTS- OCH VENTURIRÖRET

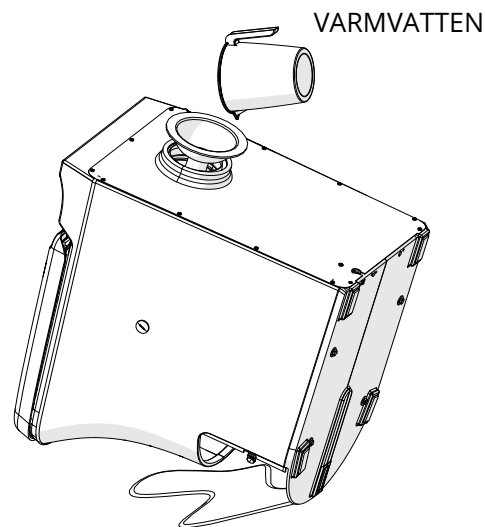


DAMMSUG FRÅNLUFTS- OCH VENTURIRÖRET

4.2.6 SKÖLJA KATALYSATORN I VARMVATTEN

Katalysatorn kan behöva spoljas av om alla partiklar eller lukter inte har avlägsnats under ångrengöringen. För detta krävs tunga lyft och ett utrymme som tål vattenspill. Utför steg 1–4 i "Rengöring av röranslutning" och följ sedan beskrivningen nedan.

1. Ställ toaletten på en plats som tål vatten, t.ex. där det finns en golvbrunn, utomhus eller i ett badkar. Använd den specialdesignade Cinderella-tratten eller en tratt som passar i frånluftsroret. Luta toaletten lätt framåt och häll 2–3 liter hett vatten genom röret och katalysatorn. Rengöringen är klar när det vatten som kommer ut är rent. Häll vid behov i mer vatten för att rengöra systemet.
2. Upprepa detta steg 4-5 gånger tills vattnet är rent och inga beläggningar eller andra hinder syns inuti katalysatorn (se avsnitt 4.2.4)
3. Anslut därefter toaletten till skorstensroret och elkabeln.
4. Montera askbehållaren och frontpanelen.
5. Utför det prestandatest som beskrivs i avsnitt 2.8.



OBS!

Innan toaletten demonteras och systemet spoljas med varmvatten ska katalysatorn kontrolleras och ångrengöring utföras enligt beskrivningen i avsnitt 4.2.2. Om katalysatorn fortfarande är igensatt eller om det luktar illa vid förbränning ska systemet rengöras enligt beskrivningen i avsnitt 4.2.6.



OBSERVERA!

Fronten på det yttre skalet är tunn och kan inte bära upp toalettens hela tyngd. Luta toaletten försiktigt och se till att det yttre skalet inte utsätts för påfrestningar. Det bästa är om två personer utför detta arbete, så att en kan hålla i toaletten medan den andra spolar ur katalysatorn.

5. FELSÖKNING OCH VANLIGA FRÅGOR



VARNING!

Service ska alltid utföras i enlighet med alla gällande nationella och lokala bestämmelser. Om du är osäker på vad som gäller där du bor bör du kontakta närmaste återförsäljare eller servicerepresentant. Strömmen ska kopplas bort när service och underhåll utförs på toaletten.

Felsökning online

Kontrollpanelen avger ljud- och ljussignaler som visar driftstatus för toaletten. Information om driftavbrott och funktionsfel ges via olika ljud- och ljussignaler. Se beskrivningen i avsnitt 5.1 i denna bruksanvisning. Vi har samlat de vanligaste felen/ problemen i en felsökningsguide på webben så att du enkelt kan få svar på vad det är för fel på din toalett samt förslag på hur du själv kan lösa problemet.

Slut på gas

Om förbränningen blir otillräcklig och en gul lampa blinkar, kan det tyda på att gasoltuben är tom och måste fyllas på eller bytas ut.

Återställa toalettssystemet

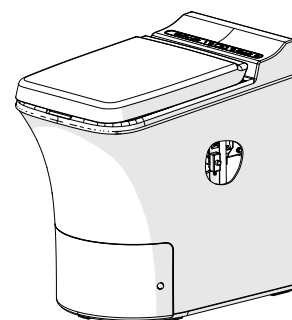
Under rengöring och felsökning kan det vara en bra idé att återställa elektroniken. Det gör du genom att trycka in startknappen. Då ska det höras ett kort pip. Håll in knappen i cirka åtta sekunder tills det hörs ett långt pip och släpp sedan knappen.

Felmeddelanden

När lamporna blinkar bör du ta reda på vad det betyder och åtgärda felet innan toaletten används igen. För att undvika skador och onödiga reparationskostnader bör du omedelbart åtgärda eventuella problem som exempelvis dålig lukt, dålig förbränning eller systemfel.

Bimetall-termostaten löser ut

Bimetall-termostaten löser ut om temperaturen inuti toaletten är för hög. Detta beror normalt på att luftflödet inte är tillräckligt eller att det finns igensättningar i till- eller frånluftskanalerna. Det är därför viktigt att kontrollera att tilluftslösningen uppfyller specifikationerna och att rökventilen är öppen och inte igensatt. Kontrollera katalysatorn visuellt och utför ångrengöring enligt beskrivningen i avsnitt 4.2.2. Återställ termostaten genom att skruva loss plasticskruven på sidan av toaletten, tryck in knappen och sätt tillbaka skruven.



Under strömavbrott

Om en förbränningsprocess pågår när det blir strömavbrott kan det börja lukta från toaletten och ryka från skorstenen. Eftersom förbränningen inte återstartar automatiskt när strömmen är tillbaka måste du starta en ny förbränningscykel manuellt. Om strömavbrottet förväntas pågå i längre än två timmar är det viktigt att tömma toaletten på eventuellt avfall eftersom den annars kan ta skada. Använd aldrig toaletten under strömavbrott.

Dålig lukt i rummet

Lukter kan uppstå av olika anledningar:

1. Om en toalettpåse inte används vid varje toalettbesök eller om påsen används felaktigt.
2. Luftflödet kan vara blockerat. Kontrollera skorstensröret och skorstenschuven.
3. Kontrollera att produkten har installerats i enlighet med monteringsanvisningarna. Om det inte flödar tillräckligt med luft genom skorstensröret kan det uppstå undertryck och dålig lukt.
4. Frånlufts-röret kan vara igensatt. Se avsnitt 4.3.1.
5. Katalysatorn kan vara igensatt. Se avsnitt 4.3.1.
6. Frånlufts-röret är inte ordentligt fastsatt i toaletten. Se avsnitt 2.5.1.

Dålig lukt utomhus

Orsaken kan vara densamma som inomhus, eller:

1. Katalysatorn har inte uppnått driftstemperatur. När toaletten är kall kan det ta några minuter innan katalysatorn uppnår den temperatur då den börjar fungera som avsett.
2. Katalysatorn kan ha korroderat eller deformerats. Kontakta din serviceleverantör.

5.1 FELSÖKNINGSTABELL



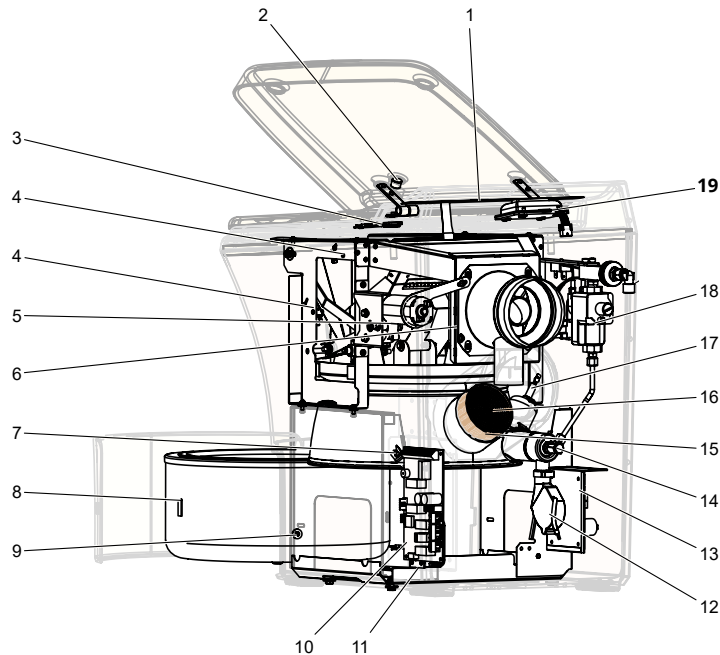
OBS!

Cinderella har utvecklat en digital felsökningsmodul som finns på vår webbplats. Modulen fungerar som en guide och ett komplement till felsökningstabellen. Du hittar den på www.cinderellaeco.com

FEL	MEDDELANDE PÅ DISPLAY	RÖD LAMPA	GUL LAMPA	GRÖN LAMPA	LJUD	ÅTGÄRD
Askbehållaren behöver tömmas	Töm askbehållaren	BLINKAR	BLINKAR	LYSER STADIGT	3 PIP	1 Ta ut och töm askbehållaren * Toaletten ska vara ansluten till 230V.
Askbehållaren behöver tömmas. Toaletten låst.	Toalett låst behållare full	LYSER STADIGT	LYSER STADIGT	LYSER STADIGT	3 PIP VAR 10:E SEKUND	1 Ta ut och töm askbehållaren * Toaletten ska vara ansluten till 230V.
Ingen ström-försörjning	Displayen släckt	AV	AV	AV		1 Kontrollera att toaletten är ansluten till 230V AC
Fel på ventilationsfläkt	Fel på fläkten	BLINKAR	AV	BLINKAR	10 PIP	1 Kontrollera att fläktbladen kan rotera fritt. 2 Nollställ toaletten (håll ner start). 3 Öppna locket så att den röda lampan blinkar, stäng locket och tryck på start. Ring support om felet kvarstår.
Felfungerande luckmekanism	Fel på luckmekanism	BLINKAR	AV	LYSER STADIGT	10 PIP	1 Nollställ toaletten om den är varm 2 Öppna locket så att den röda lampan blinkar, stäng locket och tryck på start 3 Om det inte lyckas – nollställ toaletten, sätt i en toalettpåse och håll tre koppar vatten i den, stäng locket och tryck på start 4 Om det inte hjälper – vänta tills toaletten svalnat (fläkten stannar). 5 Återstarta sedan toaletten och öppna locket medan frontluckan är öppen. Avlägsna manuellt föremål som fastnat. Ring support om problemet kvarstår
Askbehållaren i fel läge	Askbehållaren sitter i fel läge	BLINKAR	BLINKAR	LYSER STADIGT	3 PIP	1 Justera askbehållarens läge, rotera handtaget åt vänster 2 Kontrollera att spärren på behållaren är intakt 3 Kontrollera visuellt magneten på behållaren. Ring support om problemet kvarstår
Värmekretsbrott	Fel i värmesystemet	AV	BLINKAR	LYSER STADIGT	KONSTANTA PIP	1 Nollställ toaletten 2 Kontrollera bimetall-termostaten på toalettens högra sida. Skruva loss den grå pluggen och tryck in säkringen med fingret. Använd inte något vasst föremål Om säkringen löser ut hörs ett klick. Se avsnitt 5. 3 Om säkringen inte var problemet ska toaletten nollställas och därefter startas. Upprepa några gånger. Ring support om problemet kvarstår
Toalettlocksensorn reagerar	Locket är öppet	BLINKAR	AV	LYSER STADIGT	INGET	1 Kontrollera magneten på insidan av toalettlocket och stäng locket. Ring support om problemet kvarstår.
Felfungerande temperatursensor	Fel på tempsensor	AV	BLINKAR	BLINKAR	KONSTANTA PIP	1 Nollställ toaletten 2 Öppna locket så att den röda lampan blinkar, stäng locket och tryck på start 3 Ring support om problemet kvarstår
Oläsligt/inget meddelande på displayen	Oläslig/tom display					1 Dra ur elkabeln och vänta i 5 minuter 2 Sätt i kontakten och starta om toaletten 3 Ring support om problemet kvarstår

6. REPARATIONER OCH RESERVDELAR

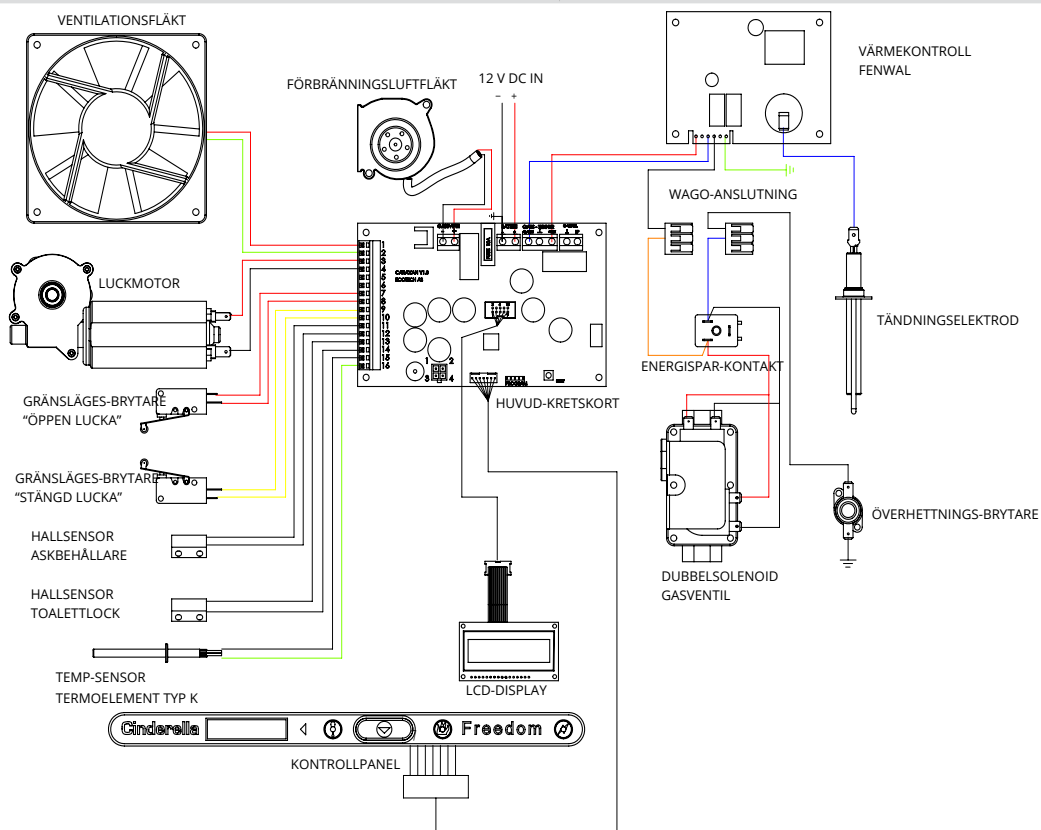
6.1 LISTA ÖVER RESERVDELAR



ID	ARTIKELNAMN	ART. NR
1	Kontrollpanel	100981
2	Magnet 14x10 mm	100433
3	Hallsensor med kabel och tejp L= 330 mm	100964
4	Mikrobrytare	101127
5	Motor Nidec 12/24V DC	101177
6	Axiell fläkt 12V DC 119x38 mm	100154
7	Termoelement	100831
8	Spärrfäste 9x26x12 mm	100017
9	Magnet 14x7 mm	100065
10	Kretskort gas	100989

ID	ARTIKELNAMN	ART. NR
11	Hallsensor	100228
12	Centrifugalfläkt 51x51x15	100542
13	Tändningsenhet Fenwal	100424
14	Gasmunstycke 20 cm WC propan SM	101414
15	Isoleringsväv 275x90x2 mm	100163
16	Katalysator 90x75 mm	100528
17	Tändningselektrod	100196
18	Gasreglage - Maxitrol CV200	101224
19	LED-display 65 x 36 x 13	100401

6.2 KOPPLINGSSCHEMA



7. Garanti

Vad omfattas av garantin?

Denna garanti omfattar material- och tillverkningsfel på Cinderellas förbränningstolett i enlighet med villkoren samt under den period och med de undantag som anges nedan.

Vad omfattas inte av garantin?

Garantin täcker inte normalt slitage eller skador som orsakats av olyckor (inklusive brand, översvämning, hårt väder eller andra naturhändelser), felaktig användning, underlåtenhet att följa tillverkarens instruktioner eller otillräckligt underhåll. Följdsador täcks inte av denna garanti. Cinderella Eco Group erbjuder ingen "på plats"-garanti. Det innebär att toaletten måste transporteras till en auktoriserad serviceverkstad för service. Om detta inte är möjligt kan serviceföretaget ta ut en transport- eller reseavgift.

Hur länge gäller garantin?

För konsumenter gäller garantin i tre (3) år från inköpsdatum. Vid professionellt bruk gäller ett (1) års garanti.

Hur hanterar Cinderella Eco Group garantiärenden?

Om du lämnar in ett garantianspråk som är giltigt enligt dessa villkor kommer Cinderella Eco Group efter eget gottfinnande att antingen reparera, ersätta eller återbetala inköpspriset på din Cinderella förbränningstolett.

Hur beställer jag service?

Kontakta din återförsäljare eller en auktoriserad serviceverkstad i det land där du bor. Vilka servicealternativ som finns tillgängliga skiljer sig mellan olika länder. Du kan behöva lämna in relevanta inköpsbevis när du åberopar garantin. Mer information om garantin finns på vår webbplats: www.cinderellaeco.com

Cinderella Eco Group AS

Sjøvikvegen 67, 6475 Midsund, Norge
www.cinderellaeco.com

SISÄLTÖ

1. YLEISTÄ	3
1.1 JOHDANTO	3
1.2 MÄÄRÄYSTEN MUKAINEN ASENNUS	3
1.3 OHJEKIRJA	3
1.4 VASTUUVARAUMA	3
1.5 HYVÄKSYNNÄT JA SERTIFIKAATIT	3
1.6 KÄYTTÖYMPÄRISTÖ	3
1.7 YLEISET TURVALLISUUSOHJEET	4
1.8 ARVOKILPI	5
1.9 CINDERELLA ONLINE	5
2. ASENNUS	6
2.1 KÄYMÄLÄN JA OSIEN PURKAMINEN PAKKAUKSESTA	6
2.2 MITAT	6
2.3 CINDERELLA-KÄYMÄLÖIDEN ASENNUSSARJAT	7
2.4 ASENNUSOHJEET	8
2.4.1 OSIEN JA MATERIAALIEN TIEDOT	8
2.5 CINDERELLA-POLTTOKÄYMÄLÄN ASENNUS	8
2.5.1 POISTOPUTKIEN ASENNUS	9
2.5.2 KORVAUSILMAPUTKEN LIITÄNTÄ	10
2.5.3 CINDERELLAN SAVUHORMIN HATUN ASENNUS	11
2.5.4 KAASUASENNUS	11
2.6 SÄHKÖTEKNISET TIEDOT JA VAATIMUKSET	12
2.7 KULJETUSTA VARTEN ASENNETUN TURVAHIHNNAN POISTAMINEN	12
2.8 ASENNUKSEN TARKISTUSLISTA	13
2.9 TOIMIVUUSTESTAUS	13
3. KÄYTTÖOHJEET	14
3.1 LAITTEEN KÄYTTÖTARKOITUS JA KÄSITTELY	14
3.2 YLEISTÄ TURVALLISUUSTIETOA	14
3.3 TURVALLISUUS KAASUN KÄYTÖN YHTEYDESSÄ	14
3.4 TURVATOIMET	14
3.5 CINDERELLA FREEDOM -KÄYMÄLÄN TURVALLISUUSOMINAISUUDET	14
3.6 TIETOA KÄYTTÄJÄLLE	15
3.7 OHJAUSPANEELI	16
3.8 CINDERELLA FREEDOM -KÄYMÄLÄN KÄYTTÖ	17
3.9 ETULUUKUN JA TUHKASÄILIÖN KÄYTTÖ	18
4. YLEISET HUOLTO-OHJEET	19
4.1 TUHKAN KOOSTUMUS	19
4.2 HUOLTO-OHJEET KÄYTTÄJÄLLE	20
4.2.1 TUHKASÄILIÖN TYHJENNYS JA PUHDISTUS	20
4.2.2 KATALYSAATTORIN HÖYRYPUHDISTUS	20
4.2.3 ISTUINALTAAN PUHDISTUS	21
4.2.4 KATALYSAATTORIN TARKISTUS JA PUHDISTUS IMURILLA	22
4.2.5 SAVUHORMIN LIITÄNNÄN PUHDISTUS	22
4.2.6 KATALYSAATTORIN HUUHTELU KUUMALLA VEDELLÄ	23
5. VIANETSINTÄ JA USEIN KYSYTTYÄ	24
5.1 VIANETSINTÄTAULUKKO	25
6. KORJAUS JA VARAOSAT	26
6.1 VARAOSALUETTELO	26
6.2 KYTKENTÄKAAVIO	26
7. TAKUU	27

1. YLEISTÄ

1.1 JOHDANTO

Cinderella-polttokäymälän toimivuuden varmistamiseksi on huolehdittava riittävästä ilmanvaihdosta tämän ohjeen mukaisesti. Vääränlainen asennus saattaa johtaa toimintahäiriöön, kulumiseen ja/tai hajunmuodostukseen, ja se mitätöi takuun. Polttokäymälän asennuksessa on noudatettava asennusmaan määräyksiä.

1.2 MÄÄRÄYSTEN MUKAINEN ASENNUS

Tämä laite on tarkoitettu virtsan ja ulosteen sekä pienten hygienia tuotteiden, kuten vessapaperin ja alkoholittomien kosteus- tai puhdistuspyyhkeiden polttamiseen.

Laitetta ei saa asentaa liikuteltaviin tai siirrettäviin rakennelmiin, kuten asuntovaunuihin tai matkailuautoihin.

1.3 OHJEKIRJA

Lue tämä ohjekirja huolellisesti ennen asennusta ja ensimmäistä käyttökertaa. Säilytä ohjeet myöhempää tarvetta varten. Jos luovutat polttokäymälän jollekulle muulle, toimita tämä ohjekirja sen mukana.

Tässä ohjekirjassa opastetaan tuotteen oikeanlainen asennus, käyttö ja huolto. Sekä asentajan että käyttäjän on tärkeää lukea tämä ohjekirja. Ohjekirja sisältää myös tietoa ammattilaisella teetettävistä ylläpito-, huolto- ja korjaustoimista.

Asiakirjan digitaalinen versio sekä lisätietoja on saatavilla osoitteessa www.cinderellaeco.com.

1.4 VASTUUVARAUMA

Valmistaja ei vastaa vahingoista seuraavissa tilanteissa:

- Väärin tehty asennus
- Väärään jännitteeseen kytkemisestä aiheutuva tuotteen vahingoittuminen
- Tuotteeseen ilman valmistajan nimenomaista lupaa tehdyt muutokset
- Muu kuin tämän ohjekirjan mukainen käyttö
- Käyttö- ja huolto-ohjeiden laiminlyönti
- Määräysten vastainen käyttö
- Muiden kuin alkuperäisten suojaussien ja varaosien käyttö

1.5 HYVÄKSYNNÄT JA SERTIFIKAATIT

Cinderella Freedom -polttokäymälä on DBI:n ja SLG:n perusteellisesti testaama eurooppalaisen kaasuturvallisuusstandardin ja sähkömagneettisen yhteensopivuusstandardin mukaisesti.

1.6 KÄYTTÖYMPÄRISTÖ

- Käyttölämpötila: -20...+40 °C
- Käyttökorkeus: Testattu 1 500 metrin korkeudessa



HUOMIO!

Cinderella-polttokäymälä tulee asentaa siten, että vähimmäisetäisyys palaviin rakenteisiin on: sivuilla 50 mm, takana 50 mm.

1.7 YLEISET TURVALLISUUSOHJEET



VAARA!

Turvallisuusohjeet: Ohjeiden huomiotta jättäminen voi aiheuttaa vakavan vamman tai hengenvaaran.



VAROITUS!

Turvallisuusohjeet: Ohjeiden huomiotta jättäminen voi aiheuttaa vakavan vamman.



HUOMIO!

Ohjeiden huomiotta jättäminen voi aiheuttaa aineellisia vahinkoja tai heikentää tuotteen toimivuutta.



HUOMAA!

Lisätietoa tuotteen käyttämisestä.



VAARA!

- Älä suihkuta aerosoleja käynnissä olevan laitteen läheisyydessä.
- Älä käytä tai säilytä herkästi syttyviä materiaaleja laitteessa tai sen läheisyydessä.
- Älä sijoita esineitä laitteen päälle tai nojaamaan laitteeseen.
- Älä tee laitteeseen muutoksia.



- Jos polttokäymälässä on näkyviä vaurioita, älä käytä sitä.
- Jos polttokäymälän tasavirtajohto on vioittunut, valmistajan, asiakaspalvelun tai muun koulutetun ammattilaisen on vaihdettava se uuteen vaaratilanteiden ehkäisemiseksi.
- Älä koskaan käytä avoliekkiä käymälän kaasuliitäntöjen tarkistamiseksi vuotojen varalta.
- Polttokäymälän korjaustyöt saa tehdä vain koulutettu ammattilainen. Väärin tehdyistä korjaustoista voi aiheutua vakavia vaaratilanteita.
- Käytä ainoastaan nestekaasua.
- Polttokäymälää saa käyttää vain sen takalevyyn kiinnitettyyn arvokilpeen merkityllä paineella.



VAROITUS!





- Puristumisvaara! Älä laita kättä saranalle tai istuinkansien alle kansien ollessa auki, sillä istuinkannet eivät sulkeudu pehmeästi.
- Älä tyhjennä tuhkasäiliötä sisällön ollessa kuumaa.
- Varmista ennen käynnistämistä, että virtajohto ja pistoke ovat kuivat.



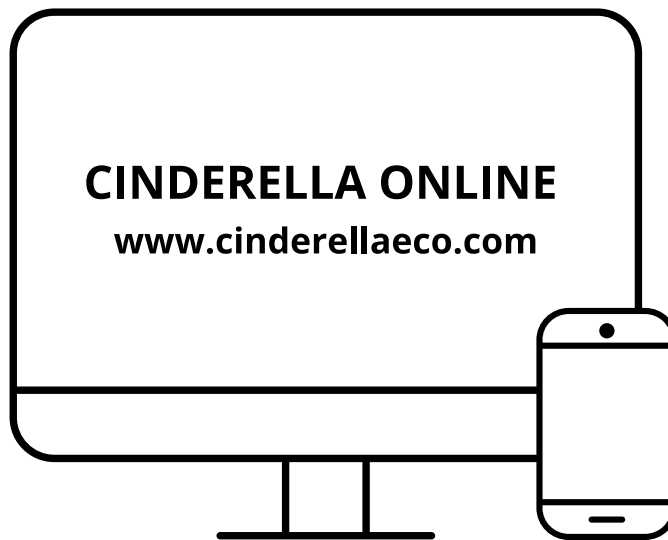
- Käymälää kannettaessa sitä tulee pitää kiinni rungosta. Älä kanna kaasuliitännästä, virtajohtoa, etuluukusta, istuinkansista tai poistoaukosta.
- Tarkista, että arvokilpeen merkitty jännite vastaa virtalähteen jännitettä.
- Käytä ainoastaan poikki-pinta-alaltaan soveltuvaa virtajohtoa.
- Ylikuumenemisvaara! Huolehdi aina riittävästä ilmanvaihdosta, jotta polton aikana syntyvät lämpö ja palokaasut pääsevät haihtumaan savuhormin kautta. Huolehdi järjestelmän hyvästä ilmankierrosta. Huolehdi aina käymälän riittävästä ilmanvaihdosta.
- Varmista, että käymälä on riittävän etäisyyden päässä seinistä ja muista kohteista, jotta ilma pääsee kiertämään.

1.8 ARVOKILPI

Arvokilpi sijaitsee polttokäymälän takalevyssä. Se sisältää laitteen mallin, tyyppin ja sarjanumeron sekä tekniset tiedot ja tukitiedot. Näitä tietoja tarvitaan, kun otat yhteyttä asiakaspalveluun tai tilaat varaosia.

<p>MANUFACTURER</p>  <p>CINDERELLA ECO GROUP AS Sjøvikvegen 67, 6475 Midsund, NORWAY For sales and support call +4777711500 or visit our web www.cinderellaeco.com</p> <p>CINDERELLA FREEDOM MODEL: PM02CS03EU SERIAL:</p>	<p>Appliance Specifications</p> <p>VOLTAGE..... 12V DC CURRENT 4 A GAS:..... PROPANE FAN BLOWER:..... 12V DC GAS SUPPLY PRESSURE: 30 mBar CAPACITY..... 3-4 PEOPLE PR. HOUR CONNECTED LOAD 425 G/H EFFECT..... 2.86 kW EXHAUST SYSTEM CONSTRUCTION -B22 DEVICE CATEGORY 13 B/P YEAR OF MANUFACTURING..... 2021 DESIGNED FOR..... HOME/CABINS, SANITATION WELFARE UNIT</p>	   <p>For information on how to claim warranty, support and recycle our product visit www.cinderellaeco.com</p>
--	--	---

1.9 CINDERELLA ONLINE



TUOTTEEN REKISTERÖINTI

Rekisteröimällä polttokäymäläsi My Cinderella -palvelussa saat tietoa tuotteista ja tarjoamastamme tuotetuesta sekä käymälämalliisi liittyviä tarjouksia. Jos tuote varastetaan, rekisteröityjen tuotteiden tiedot ovat saatavilla tietokannassamme.

Vianetsintä verkossa

Kattavat ohjeet polttokäymälän käyttöön, hyödyllisiä neuvoja sekä tietoa korjauksista, jotka käyttäjä voi itse suorittaa. Verkkopohjaisen vianetsinnän avulla voit ratkaista tavallisimmat vikatilanteet ilman tukipalveluun soittamista.

Tietojen saatavuus

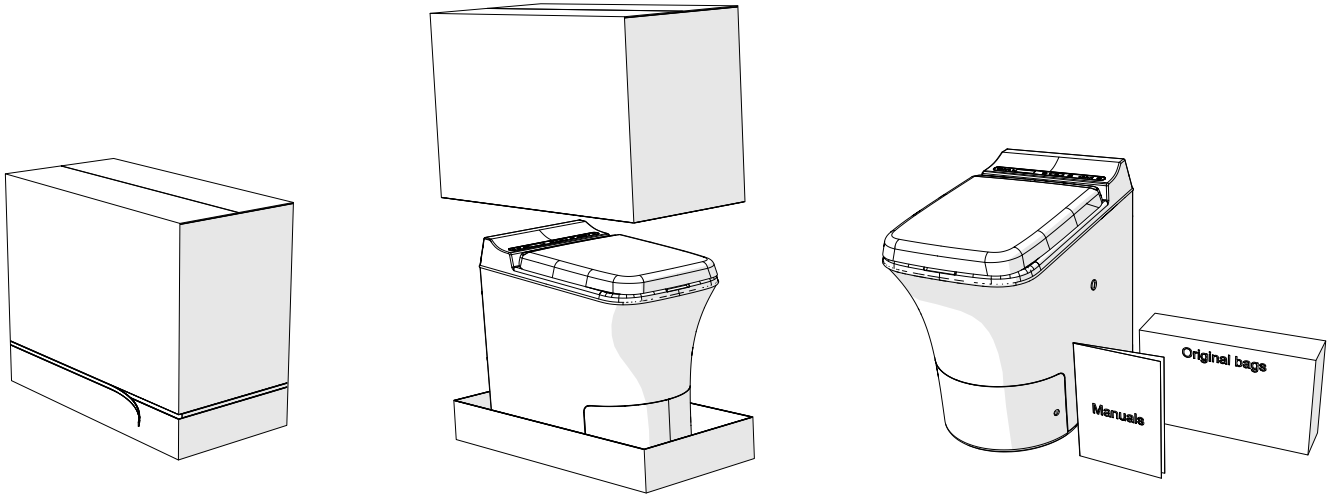
Tuotteesi dokumentaatio on ladattavissa verkosta dokumentaatiokeskuksesta, josta löydät tuotteen ohjekirjan, huolto-ohjeet ja elektroniikkaromun purkuohjeet.

Huolto ja varaosat

Valitsemalla maan näet huoltoa ja varaosia tarjoavien paikallisten jälleenmyyjien tiedot.

2. ASENNUS

2.1 CINDERELLA-POLTTOKÄYMÄLÄN PURKAMINEN PAKKAUKSESTA



HUOMAUTUS!

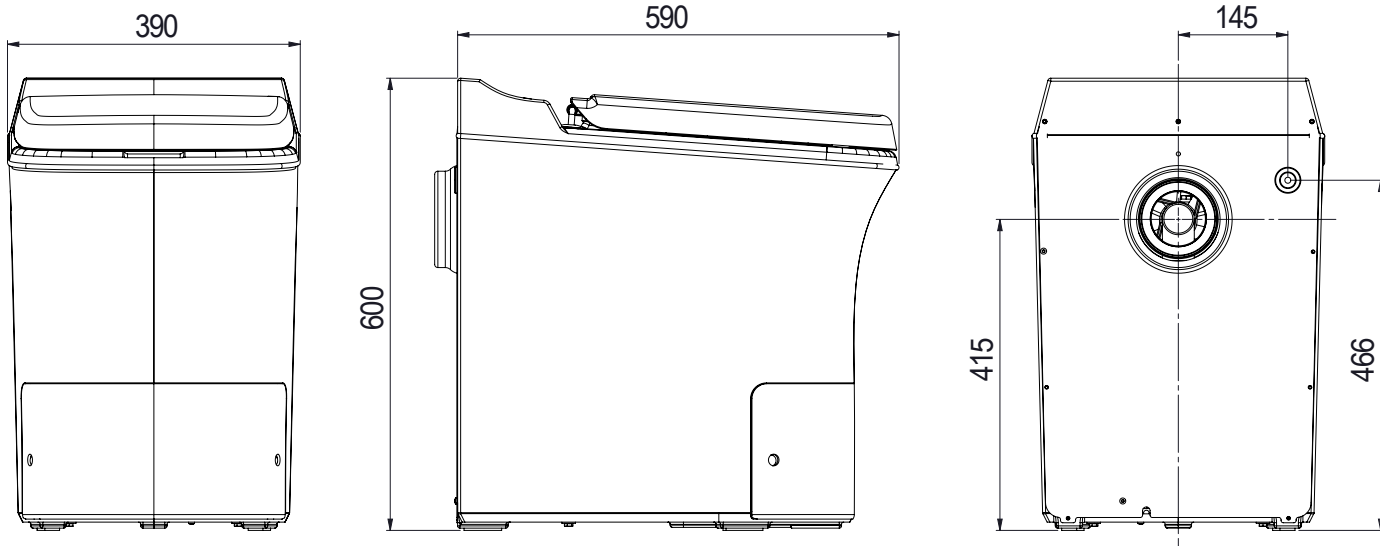
Avaa Cinderella-polttokäymälän pakkaus sen alaosassa olevasta avausnauhasta. Avaa nauha koko matkalta ja poista laatikon yläosa.

TOIMITUSSISÄLTÖ	MÄÄRÄ
Cinderella PM02CS03	1
Suojapussit	100
Ohjekirja	1

2.2 MITAT

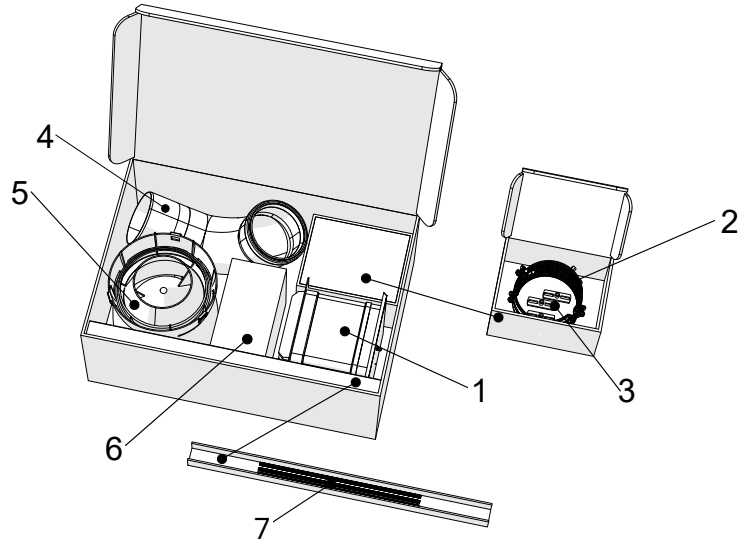
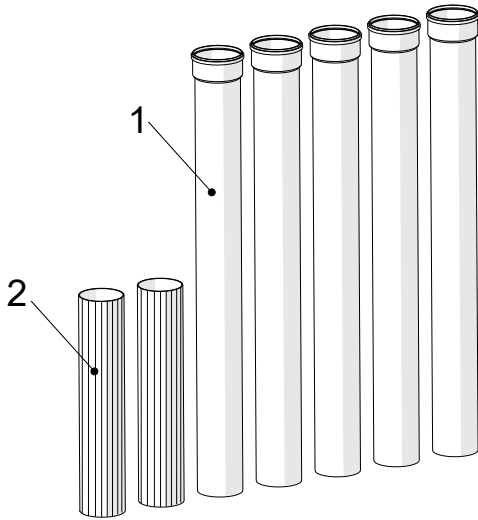
Korkeus	600 mm
Istuinkorkeus	540 mm
Leveys	390 mm

Syvyys	590 mm
Savuhormin keskikohdan korkeus	415 mm



2.3 CINDERELLA-KÄYMÄLÖIDEN ASENNUSSARJAT

Cinderella-asennussarja: Suosittelemme käyttämään polttokäymälän asennuksessa Cinderella-asennussarjaa. Tämä asennussarja sisältää kaikki tarvittavat osat käymälän asentamiseen, polton optimointiin ja käymälän ihanteellisen toiminnan varmistamiseen. Asennussarja koostuu kahdesta pakkauksesta. Pakkaus 1 sisältää optimoidun savuhormin hatun ja mutkaputken, jotka parantavat virtausta ja polton tehokkuutta, sekä erikoissuunnitellun ilmaventtiilin (201 cm²), joka takaa optimaalisen toiminnan. Lisäksi sarja sisältää kiristimet, jotka tukevat poistoputkien asennusta. Pakkaus 2 sisältää laadukkaat 7 x 110 mm:n UV-stabiloidut muoviputket poistoilmanvaihdon asentamiseen.



CINDERELLA-ASENNUSSARJA		MÄÄRÄ
1	Savuhormiputki 1066 mm uros-naaras	5
2	Savuhormiputki 500 mm uros-uros	2

CINDERELLA-ASENNUSSARJA		MÄÄRÄ
1	Ilmaventtiili 160 mm (201 cm ²)	1
2	Tukikiristin	3
3	Seinäkiinnike	3
4	Mutkaputki 87	1
5	Savuhormin hattu	1
6	Paineensäädinsarja*	1
7	Kierretanko 30 mm	3

*Vain Norjassa ja Ruotsissa



HUOMAUTUS!

- Tässä ohjekirjassa kuvataan polttokäymälän asennus Cinderella-asennussarjan avulla. Jos haluat käyttää Cinderella-polttokäymälän asennuksessa muita kuin alkuperäisiä putkia ja osia, niiden tulee täyttää vaatimukset, jotka eritellään kohdassa 2.4.1 Osien ja materiaalien tiedot.
- Cinderella-polttokäymälän asianmukaisen toiminnan varmistamiseksi on huolehdittava riittävästä ilmanvaihdosta tämän ohjekirjan ohjeiden mukaisesti. Valmistajan ohjeista poikkeava asennus ja muiden kuin vaatimukset täyttävien osien käyttäminen laitteen asentamisessa aiheuttaa laitteen toimintahäiriöitä, kulumista ja hajunmuodostusta sekä mitätöi takuun.

2.4 ASENNUKSEN TEKNISET TIEDOT

2.4.1 OSIEN JA MATERIAALIEN TIEDOT

OSA	TEKNISET TIEDOT
Ilmanvaihtoputket	Cinderella Freedom -polttokäymälän asennuksessa tulee käyttää 110 mm:n putkia, joissa on sileä sisäpinta ja joiden sisähalkaisija on vähintään 102 mm. Putken materiaalin tulee kestää yli 100 °C:n lämpötilaa ja olla mieluiten PP- tai CPVC-materiaalia. Suosittelemme käyttämään Cinderellan alkuperäisiä PP-putkia.
Mutkaputki (poistoilma)	Cinderella Freedom -polttokäymälän asennuksessa tulee käyttää sileää mutkaputkea, joka rajoittaa ilmavirtaa mahdollisimman vähän. Suosittelemme käyttämään Cinderellan alkuperäistä mutkaputkea 87° .
Savuhormin hattu	Cinderella Freedom -polttokäymälän asennuksessa on käytettävä savuhormin hattua, joka estää sadeveden pääsyn käymälään ja joka rajoittaa ilmavirtaa mahdollisimman vähän. Cinderella-polttokäymälän ilmanvaihdossa ei saa käyttää tuulituulettimia tai vastaavia. Suosittelemme käyttämään Cinderellan alkuperäistä savuhormin hattua.



HUOMAUTUS!

- Savuhormin sisäpinnan tulee olla sileä. Se ei saa olla kohokuvioitu tai uritettu.
- Savuhormissa ei saa käyttää verkkoa, sillä se voi rajoittaa ilmanvaihtoa.
- Mutkaputki tulee asentaa siten, että siihen pääsee käsiksi ja tyhjennysputki voidaan huuhdella ja poistoputki puhdistaa.
- Cinderella Freedom soveltuu kylpyhuoneissa ja märkätiloissa käytettäväksi (IP-luokka 34), mutta käymälän ulkopintoja ei saa altistaa vesiroiskeille.
- Käymälä tulee sijoittaa tukevalle ja tasaiselle alustalle. Cinderella-polttokäymälän saa asentaa lämmitetylle lattialle.

2.5 CINDERELLA-POLTTOKÄYMÄLÄN ASENNUS

Cinderella-polttokäymälän toimivuuden varmistamiseksi on huolehdittava riittävästä ilmanvaihdosta tämän ohjeen mukaisesti. Vääränlainen asennus saattaa johtaa toimintahäiriöön, kulumiseen tai hajunmuodostukseen, ja se mitätöi takuun. Lue koko asennusohje huolellisesti kohta kohdalta ennen asentamisen aloittamista. Asennuksen saa tehdä vain koulutettu ammattilainen, ja asennus tulee tehdä paikallisten määräysten mukaisesti.



HUOMIO!

- Laite tulee asentaa käyttömaan määräysten mukaisesti. Suosittelemme kääntymään jälleenmyyjän puoleen asennuksen suunnittelussa ja asentamisessa.
- Mutkaputken lisäksi asennuksessa ei saa käyttää muita 90 asteen mutkaputkia.
- Mahdolliset katon läpiviennit on tehtävä rakentamismääräysten mukaisesti.
- Cinderella-polttokäymälän asennuksessa ei saa käyttää taipuisia putkia.
- Älä liitä poistoilmakanavaan muita laitteita.
- Mutkaputki tulee asentaa siten, että siihen pääsee käsiksi ja tyhjennysputki voidaan huuhdella ja poistoputki puhdistaa säännöllisesti.

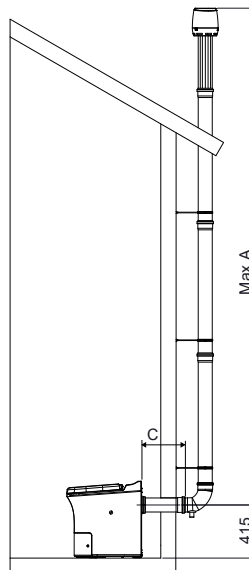
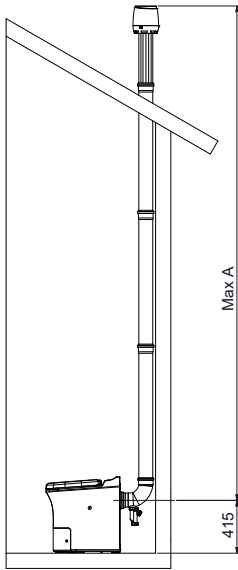


VAROITUS!

Tarkista aina ennen läpivientien tekemistä, että kohdassa ei ole sähköjohtoja tai vesiputkia.

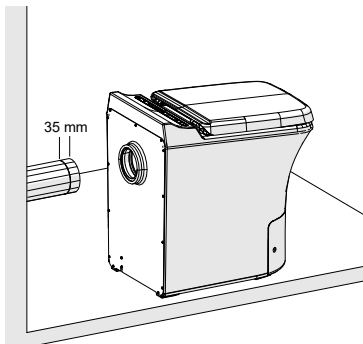
2.5.1 POISTOPUTKIEN ASENNUS

SAVUHORMIN HALKAISIJA	PUTKEN SUUNTA	KUVASSA	MUTKAT	PUTKEN ENIMMÄISPITUUS
110 mm	Savuhormi (vaaka)	C	(ei sallittu)	1,0 m
110 mm	Savuhormi (pysty)	A	-	5,0 m



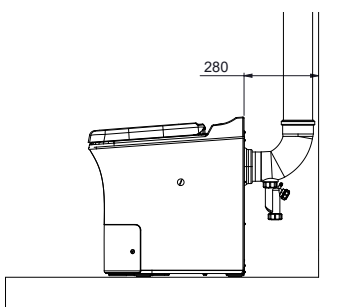
HUOMAUTUS!

Savuhormin liitännän keskikohdan tulee olla 415 mm lattian pinnan yläpuolella.



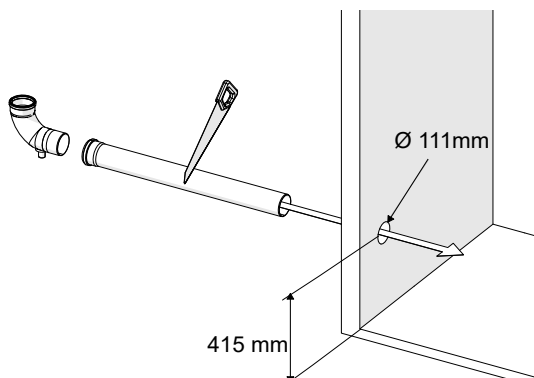
HUOMAUTUS!

Putken pituutta määritettäessä on otettava huomioon, että putki menee 35 mm laitteen liitoskohdan sisään.



HUOMAUTUS!

Pystyputken asennuksen yhteydessä on otettava huomioon, että vähimmäisetäisyyden seinästä käymälään on oltava 280 mm.



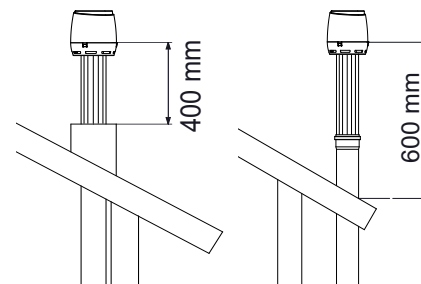
HUOMAUTUS!

Cinderella-asennussarja sisältää viisi 1066 mm:n putkea poistoilmanvaihdon asentamiseen. Putkien mukana toimitetaan asennusta helpottavat istukat ja tiivisteet. Jos putki asennetaan ulkoseinään, se on asennettava ulkoa sisälle päin.



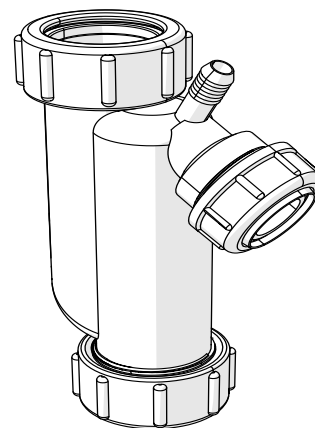
HUOMAUTUS!

- Katon päällä putken on aina oltava pystysuorassa ja putken pään on oltava vähintään 600 mm katon pinnan yläpuolella. Jos putki on koteloitava (esimerkiksi metallikotelolla), putken pään on oltava vähintään 400 mm kotelon yläpuolella.
- Jos asennus tehdään alueella, jolla lumikertymä on todennäköisesti suuri, putken pää voi tulla korkeammallekin, ja putki on kiinnitettävä tukevasti. Älä kuitenkaan ylitä putken sallittua enimmäispituutta.



HUOMAUTUS!

Cinderellan valikoimassa on asennussarjan mukana toimitettavaan mutkaputkeen sopiva kondenssiveden keräin, jonka voi ostaa Cinderellan jälleenmyyjältä. Jos asennus tehdään sisältä päin, kondenssiveden keräin on liitettävä mutkaputkeen, jotta kondenssi- ja sadevettä ei kerry lattialle. Jos kondenssivettä ei kerätä ja säiliötä tyhjennetä säännöllisesti, lattia voi vaurioitua.



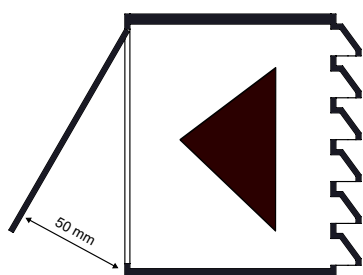
2.5.2 KORVAUSILMAPUTKEN LIITÄNTÄ

Jotta polttoa varten olisi riittävä ilmanvaihto ja tarpeeksi happea, käymälään on asennettava tuloilmaventtiili valmistajan ohjeiden mukaisesti. Cinderella-asennussarja sisältää savuhormin ja erikoissuunnitellun ilmaventtiilin, jotka takaavat ihanteellisen ilmanvaihdon ja tehostavat laitteen toimintaa. Ilmansyöttöventtiili on suositeltavaa asentaa mahdollisimman lähelle Cinderella-käymälää riittävän ilmanvaihdon varmistamiseksi käymälään sekä ympäristövaikutusten pienentämiseksi käymälätilassa. On tärkeää, ettei käymälän käytön aikana käytetä muita ilmankiertoa vaativia asennuksia, kuten poistoilmapuhallinta tai takkaa. Cinderella Freedom -käymälä imee ilmaa pääasiassa käymälän alapuolelta. Siksi ilmanotto on mahdollista asentaa käymälän alle. Näin voit eristää mahdollisimman paljon ilmaa käymälän sisällä ja minimoida ympäristövaikutukset käymälätilassa.



HUOMAUTUS!

- Ilmanottoventtiilin vähimmäismittojen on oltava 160 mm (halkaisija) / 201 cm².
- Venttiilin on oltava aina auki käymälää käytettäessä. Muista puhdistaa venttiili säännöllisesti.
- Varmista, ettei käymälän ilmansyötön ja muiden asennusten, kuten takan tai poistoilmapuhallimen, välillä ole ristiriitoja.
- Älä käytä käymälän käytön aikana erillistä tuuletinta tai vastaavaa ilman poistamiseen tilasta, johon Cinderella Freedom -käymälä on asennettu.
- Jos käymälän alla on avoin ilmanvaihtoaukko, aukon päällä on suositeltavaa käyttää verkkoa hyönteisten ja tuhoeläinten pääsyn estämiseksi käymälään. Varmista, ettei verkko ole liian ohut. Verkon silmäkoon tulee olla vähintään 5 mm, sillä sitä tiheämmät verkot estävät ilman virtauksen.



HUOMAUTUS!

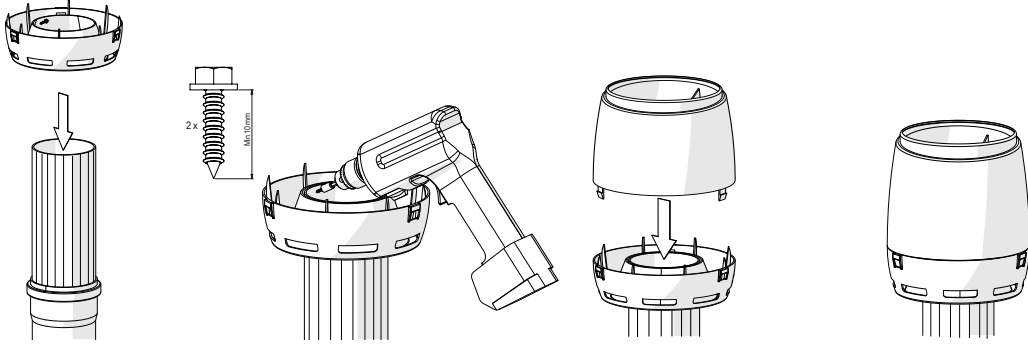
Jos asennettavassa ilmaventtiilissä on säädettävä aukko, varmista, että se on aina auki vähintään 75 mm (kaksi napsahdusta) käymälää käytettäessä.

2.5.3 CINDERELLAN SAVUHORMIN HATUN ASENNUS



HUOMAUTUS!

Cinderella-asennussarja sisältää savuhormin hatun, joka takaa ihanteellisen ilmanvaihdon ja tehostaa laitteen toimintaa. Hattu koostuu pohjaosasta ja hatusta. Pohjaosa voidaan kiinnittää putkiin ruostumattomilla teräsruuveilla tai liimalla, mikä helpottaa asentamista ja tekee ilmanvaihtoputkista huoltovapaita. Käytä Cinderella-asennussarjan 500 mm:n putkea savuhormin viimeisenä osana, sillä se sisältää hatun liitännän.



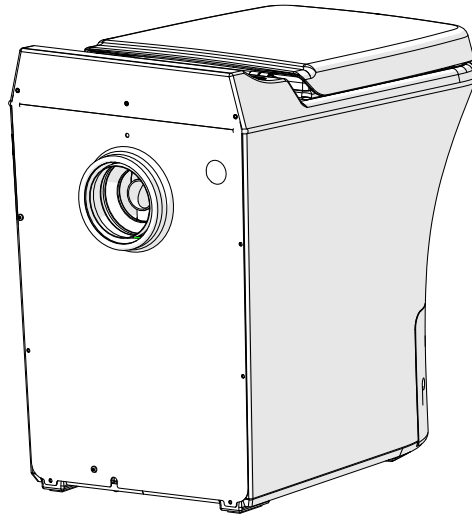
2.5.4 KAASUASENNUS

Varmista kaasua käymälään liittäessäsi, että käytät alueellesi soveltuvaa kaasunsäädintä. Laitteen liitäntätyyppi on ¼" NTP.



VAROITUS!

- Polttokäymälää saa käyttää vain sen takalevyn kiinnitettyyn arvokilpeen merkityllä paineella.
- Polttokäymälää saa käyttää vain sen takalevyn kiinnitettyyn arvokilpeen merkityllä kaasulla.
- Käymälä soveltuu asennettavaksi vain sisätiloihin.



TEKNISET TIEDOT	ARVO	HUOMAUTUKSET
Polttoaineen kulutus	160-190 g	Polttoa kohti
Tulokaasun paine	30 mbar	
Kaasun tyyppi	LPG	
Kaasuliitäntä	G ¼" LH	
Aukon koko	1 mm	

2.6 SÄHKÖTEKNISEET TIEDOT JA VAATIMUKSET

Laite on liitettävä erilliseen maadoitettuun piiriin, jossa on oikea jännite, taajuus ja virta ja joka on suojattu asianmukaisella sulakkeella. Vaadittu jännite, taajuus ja virta löytyvät tästä ohjekirjasta ja tuotteen takana olevasta arvokilvestä. Huomaa: Käymälä on liitettävä 12 voltin ja 4 ampeerin tasavirtalähteeseen. Jos käymälää on käytettävä 240 voltin vaihtovirralla, pyydä hyväksyttyä virtalähdettä jälleenmyyjältä.

Tehovaatimukset	SYÖTTÖTEHO	VIRTA	SULAKE
	12 V DC (11–14,4 V)	4 A	10 A
Virrankulutus	LEPOTILA	VALMIUSTILA	POLTTOTILA
	0,005 A	0,09 A	1,3 A
Napaisuus	POIKKIPINTA-ALA	POSITIIVINEN	NEGATIIVINEN
	2 mm ²	Punainen	Musta

Tasavirtaliitännän negatiivisia ja positiivisia johtoja ei saa yhdistää toisiinsa matkailuautossa, sillä se voi aiheuttaa sähköhäiriöitä ja vaurioittaa sähkökomponentteja. 12 voltin virtalähde on yhdistettävä omassa piirissä suoraan akkuun, ja piirin alkupäässä on oltava 10 ampeerin sulake. Laske johdon oikea koko johdon pituuden perusteella 12 voltin johdotusoppaan avulla.

12 VOLTIN JOHDOTUSOPAS						
Ampeeria	1 m	2 m	5 m	6 m	8 m	10 m
4	2 mm ²	2 mm ²	2 mm ²	4 mm ²	4 mm ²	4 mm ²

Huomioi seuraavat seikat, kun liität käymälän tasavirtalähteeseen:

- Varmista, että johdon virtaluokitus on riittävä piirin odotetulle kuormitukselle. Tähän tulee sisältyä myös turvamarginaali.
- Varmista, että johdon poikkipinta-ala soveltuu käytettävälle johdon pituudelle ja ettei johto aiheuta jännitteen laskua.
- Tarkista aina johtojen napaisuudet ennen liittämistä, sillä takuu ei kata napojen virheellistä liittämistä.



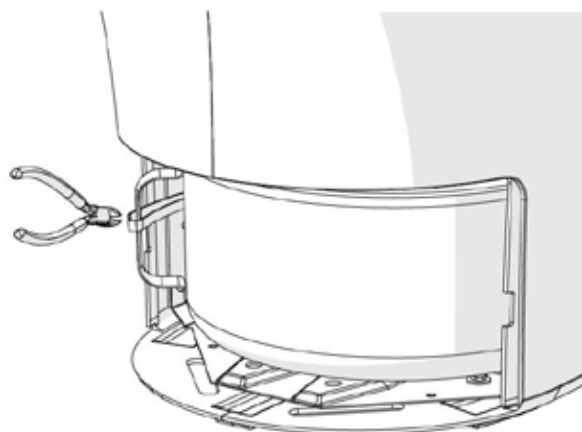
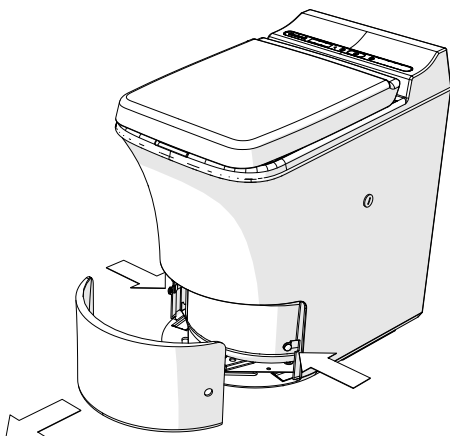
HUOMAUTUS!

- Liitäntäjohto on vedettävä siten, että se ei joudu kosketuksiin terävien reunojen kanssa.
- Turvallisuusriskien ehkäisemiseksi laitteen sisäisen sähköasennuksen ja liitäntäjohdon muutokset saa tehdä vain koulutettu ammattilainen.

2.7 KULJETUSTA VARTEN ASENETTUN TURVAHIHNNAN POISTAMINEN

Tuhkasäiliössä oleva turvahihna on poistettava ennen käyttöä:

1. Irrota etuluukku.
2. Katkaise ja poista muovihihna, jolla tuhkasäiliö on kiinnitetty teräsrunkoon.



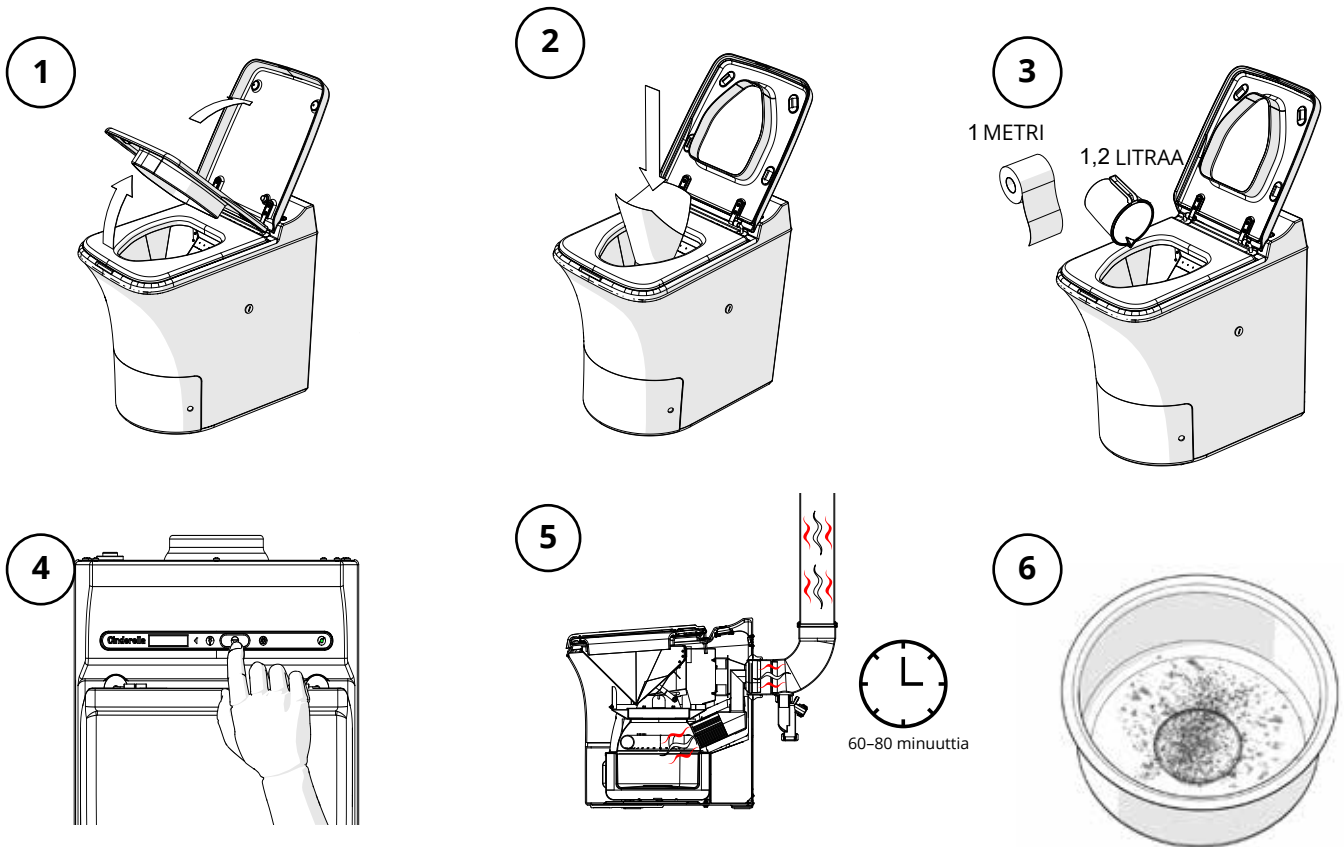
2.8 ASENNUKSEN TARKISTUSLISTA

TARKISTETTAVAT KOHDAT	TARKISTUSMERKKI
Liitäntäjännite on laitteen arvokilven mukainen.	
Liitetyn kaasun paine on laitteen arvokilven mukainen.	
Laitte on asennettu valmistajan ohjeiden mukaisesti.	
Savuhormi on asennettu valmistajan ohjeiden mukaisesti.	
Savuhormin pää on vähintään 600 mm:n etäisyydellä katon pinnasta.	
Kondenssiveden keräin on asennettu tarvittaessa.	
Savuhormin materiaalit on asennettu valmistajan ohjeiden mukaisesti.	
Savuhormin hattu on asennettu valmistajan ohjeiden mukaisesti.	
Tuloilma on valmistajan ohjeiden mukainen.	

2.9 TOIMIVUUSTESTAUS

Kun käynnistuspainiketta painetaan, polton pitäisi käynnistyä. Toimivuustestissä poltto-ohjelman arvioitu kesto on 60–80 minuuttia. Kun poltto on käynnissä, keltainen valo palaa. Laitteen pitäisi viedä testipolttu loppuun ilman virheilmoituksia tai katkoksia. Tuhkat voi poistaa vasta, kun käymälä on jäähtynyt sen verran, että tuuletin on pysähtynyt. Jäähdytys vie 60–90 minuuttia käyttölämpötilasta riippuen.

Polton tuloksena pitäisi olla vain hienojakoista valkoista tuhkaa. Jos polton tuloksena on jotakin muuta tai polttoaika ylittää 90 minuuttia, savuhormin toiminnassa tai hapen saannissa saattaa olla ongelmia. Tarkista, että asennus on tehty tämän ohjekirjan kohdassa 2 olevien valmistajan ohjeiden mukaisesti.



VAROITUS!

Tuhkasäiliö kuumenee polton aikana erittäin kuumaksi. Irrota etuluukku vasta, kun käymälä on täysin jäähtynyt ja tuuletin on pysähtynyt.



HUOMAUTUS!

- Toimivuustestaus on suunniteltu suoritettavaksi ennen käymälän käyttöönottoa. Tulokset voivat vaihdella, jos testi tehdään käytössä olevalla käymälällä.

3. KÄYTTÖOHJEET

3.1 LAITTEEN KÄYTTÖTARKOITUS JA KÄSITTELY

Cinderella Freedom -polttokäymälä on tarkoitettu sisäkäyttöön vapaa-ajan asunnoissa, ulkokäymälöissä, rakennustyömaiden sosiaalityöissä, asuntoveneissä ja uima-allastaloissa. Käymälä on tarkoitettu ainoastaan virtsan ja ulosteen sekä pienten hygieniatuotteiden, kuten vessapaperin, terveyssiteiden ja alkoholittomien kosteus- tai puhdistuspyyhkeiden polttamiseen. Muiden materiaalien ja esineiden polttaminen Cinderella Freedom -polttokäymälällä on kielletty ja johtaa takuun mitätöimiseen.

Älä laita käymälään seuraavia asioita:

- suuria määriä paperia
- klooria sisältäviä puhdistusaineita
- alkoholia sisältäviä puhdistuspyyhkeitä
- sanomalehtipaperia
- paperipyyhkeitä
- tulenarkoja nesteitä tai aineita
- tupakansytyttimiä
- savukkeita tai sikareita
- bensiiniä
- alkoholijuomia
- alkoholia tai spritiä
- kynsilakanpoistoainetta
- sytytysnestettä
- lamppuöljyä tai kerosiinia
- aerosolipakkauksia
- lasi- tai muovipulloja tai -pakkauksia

3.2 YLEISTÄ TURVALLISUUSTIETOA



VAARA!

- Jos polttokäymälässä on näkyviä vaurioita, älä käytä sitä.
- Jos polttokäymälän virtajohto on vioittunut, valmistajan, asiakaspalvelun tai muun koulutetun ammattilaisen on vaihdettava se uuteen vaaratilanteiden ehkäisemiseksi.
- Polttokäymälän korjaustyöt saa tehdä vain koulutettu ammattilainen. Muun tahon kuin koulutetun ammattilaisen tekemä korjaus voi johtaa vaaratilanteeseen tai käymälän vahingoittumiseen.
- Lapset eivät saa puhdistaa tai huoltaa käymälää ilman valvontaa.
- Käymälän huollossa ei saa käyttää räjähdysalttiita tai tulenarkoja puhdistusaineita.

3.3 TURVALLISUUS KAASUN KÄYTÖN YHTEYDESSÄ



VAARA!

- Kaasulle altistuvien osien ja piipun vuotojen tarkistamisessa ei saa käyttää avotulta, sillä siitä aiheutuu palo- tai räjähdysvaara.
- Mikäli haistat kaasun hajun:
 - Sulje sylinterin kaasunsyötön hana ja venttiili.
 - Avaa ikkunat ja poistu tilasta.
 - Älä kytke sähkökatkaisijoita päälle tai pois päältä.
 - Sammuta kaikki avotulet.
 - Anna ammattilaisen tarkistaa kaasujärjestelmä.

3.4 TURVATOIMET



VAROITUS!

- Käymälän tuhkasäiliö kuumenee polton aikana erittäin kuumaksi. Varmista, että suojuksen on paikallaan polton ollessa käynnissä. Tyhjennä tuhkasäiliö vasta, kun käymälä on jäähtynyt kokonaan.
- Varo jättämästä sormia tai käsiä istuinkansien alle, sillä ne eivät sulkeudu pehmeästi ja voivat aiheuttaa puristumisvamman.

3.5 CINDERELLA FREEDOM -KÄYMÄLÄN TURVALLISUUSOMINAISUUDET

- Poltto keskeytyy, kun käymälän kansi avataan. Poltto käynnistyy uudelleen vasta, kun istuinkannet suljetaan.
- Polttokammion luukkua EI VOI avata, kun käymälä on kuuma (esimerkiksi puhdistuksen aikana). Luukku voidaan avata vasta, kun käymälä on jäähtynyt ja tuuletin pysähtynyt.

- Jos polton aikana ilmenee ilmanvaihto-ongelma ja käymälän sisälämpötila nousee yli 105 °C:seen, poltto keskeytyy ja laitteen näytölle ilmestyy varoitus. Käymälä on tällöin nollattava ja ilmanvaihto-ongelma korjattava, ennen kuin käymälää voi käyttää.
- Jos tuhkasäiliö laitetaan tyhjentämisen jälkeen huonosti paikalleen, poltto ei käynnisty ja näytölle ilmestyy varoitusvalo ja virheilmoitus.
- Jos polttokammion luukun mekanismi menee jumiin tai luukku ei pysty sulkeutumaan kunnolla, poltto ei käynnisty ja näytöllä näkyy virheilmoitus.
- Cinderella Freedom -polttokäymälän ohjelmisto sisältää toiminnon, joka valvoo lämpötilaa polton aikana. Jos lämpötila poikkeaa normaalista, poltto keskeytyy välittömästi ja näytöllä näkyy varoitus.

3.6 TIETOA KÄYTTÄJÄLLE



HUOMAUTUS!

- Muista laittaa käymälän altaaseen aina uusi suojaussi ennen käyttöä. Jokaisella käyttökerralla tulee käyttää uutta pussia.
- Käymälän kannen tulee olla kiinni aina, kun käymälää ei käytetä. Poltto ei käynnisty, ellei kansi ole kiinni.
- Poltto kestää enintään 180 minuuttia viimeisimmästä käyttökerrasta.
- Tuuletin on käynnissä siihen asti, kunnes poltto on päättynyt ja käymälän sisälämpötila on palautunut normaaliksi. Jäähdytys voi jatkua yli 120 minuuttia polton päättymisen jälkeen jäähdytysilman lämpötilasta riippuen.
- Cinderella-käymälää voi käyttää milloin tahansa polton ja jäähdytyksen aikana. Poltto keskeytyy käytön ajaksi. Sulje kansi aina käytön jälkeen ja paina käynnistyspainiketta.



Kapasiteetti 4 henkeä

Cinderella Freedom -käymälä on tarkoitettu käytettäväksi enintään neljä kertaa tunnissa. Ylikuormituksen välttämiseksi tätä tiheämpää käyttöä ei suositella. Käymälän ylikuormittaminen käyttämällä sitä useita kertoja polttoa suorittamatta saattaa johtaa hajunmuodostukseen ja vuotoihin sekä vahingoittaa käymälää.



Tyhjennystiheys

Käymälän säiliön nestetilavuus on 5 litraa. Käymälän toimivuuden takaamiseksi tuhkasäiliö tulee tyhjentää usein (kerran viikossa). Tyhjentäminen myös varmistaa tehokkaan polton ja auttaa pitämään katalysaattorin puhtaampana.

Jos tuhkasäiliötä ei ole tyhjennetty 90 polttokerran jälkeen, Cinderella Freedom -käymälän näytölle tulee ilmoitus. Jos tuhkasäiliötä ei ole tyhjennetty 120 polttokerran jälkeen, käymälä estää käytön. Suosittelemme tyhjentämään tuhkasäiliön tiheästi, sillä se tehostaa polttoa ja ehkäisee tuotteen kulumista.

Tuhkasäiliön tyhjennyksen laiminlyöminen saattaa vahingoittaa käymälää ja mitätöidä takuun.



Käymälän valmistelu pitkää käyttökatoa varten

Jos käymälää ei aiota käyttää pidempään aikaan, siinä on suoritettava täysi polttosykli ja sen tuhkasäiliö on tyhjennettävä.



Lyhytkestoinen tiheä käyttö

Jos käymälää pitää käyttää tiheästi lyhytkestoisesti esimerkiksi juhlien aikana, toimi seuraavasti:

1. Tyhjennä tuhkasäiliö kokonaan ennen vieraiden saapumista.
2. Esilämmitä käymälä ennen käyttöä avaamalla ja sulkemalla kansi ja painamalla käynnistyspainiketta.
3. Opasta vieraita käyttämään suojaussia ja painamaan käynnistyspainiketta jokaisen käyttökerran jälkeen.
4. Tarkista säännöllisesti, että käymälän kansi on kiinni ja keltainen polttovalo palaa.
5. Käymälä saattaa vaatia yhden tai kaksi ylimääräistä polttoa ennen tuhkasäiliön tyhjentämistä täydellisen polton varmistamiseksi.

3.7 OHJAUSPANEELI

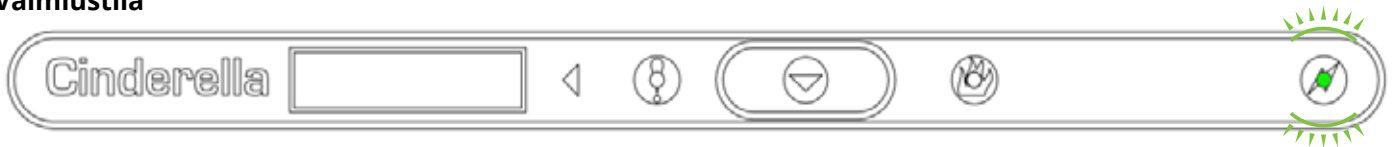
Ohjauspaneeli antaa ilmoituksia valo- ja äänimerkkien sekä tekstien avulla parhaan käyttäjäkokemuksen takaamiseksi. Järjestelmän tilaa ilmaisevat erilaiset valo- ja äänimerkit. Käyttäjän on tärkeää tutustua näiden ilmoitusten merkityksiin ennen käyttöä. Yhteenvedo valo- ja äänimerkeistä on kohdan 5.1. vianetsintätaulukossa.



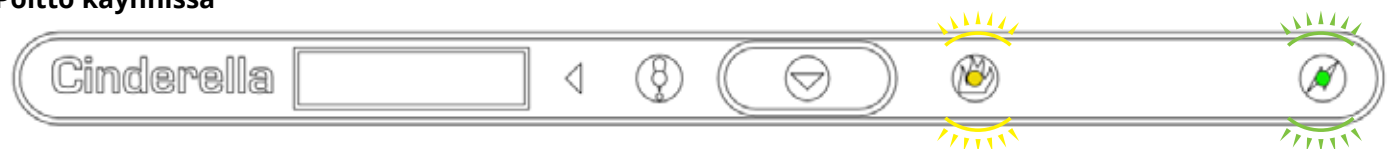
HUOMAUTUS!

- Vihreä valo ilmaisee, että käymälä on liitetty virtalähteeseen. Kun pelkästään vihreä valo palaa, käymälä on valmiustilassa ja käyttövalmis.
- Yhtäjaksoisesti palava keltainen valo ilmaisee, että poltto on käynnissä.
- Punainen valo ilmaisee polton tai valmiustilan keskeytymisestä.

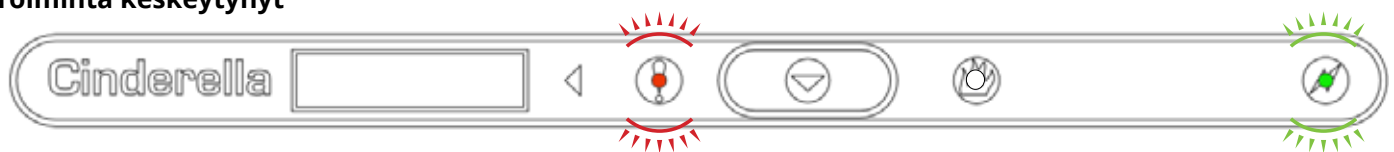
Valmiustila



Poltto käynnissä



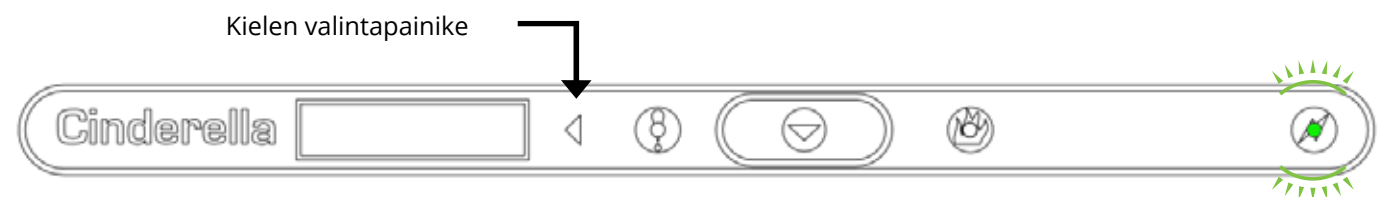
Toiminta keskeytynyt



Kielen valinta

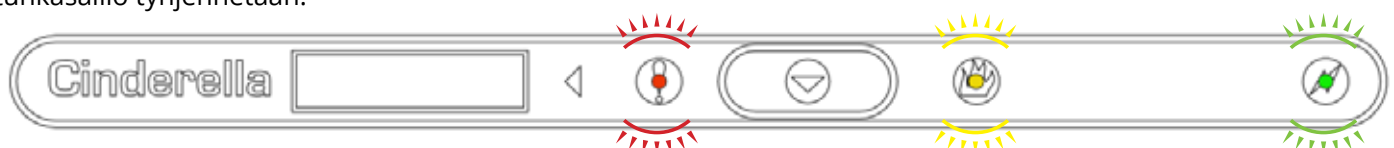
Pidä kielen valintapainiketta painettuna 3 sekuntia, kunnes näytön ensimmäisellä tekstirivillä näkyy Language. Valittu kieli näkyy toisella tekstirivillä. Paina kielen valintapainiketta toistuvasti, kunnes haluamasi kieli näkyy näytöllä. Kielivalinta tallennetaan automaattisesti muutaman sekunnin kuluttua, ja käymälä toimii normaalisti.

Kielen valintapainike



Tuhkasäiliön tyhjennysilmoitus

Cinderella Freedom -polttokäymälä antaa ilmoituksen, kun tuhkasäiliö pitää tyhjentää. Kun kansi avataan, näytöllä näkyy teksti EMPTY THE ASH CONTAINER (tyhjennä tuhkasäiliö) ja kuuluu kolme äänimerkkiä. Jos tuhkasäiliötä ei tyhjennetä ennen kuin tietty käyttökertojen määrä täyttyy, käymälä menee lukitustilaan. Tässä tilassa keltainen, punainen ja vihreä valo palavat ja näytöllä näkyy teksti TOILET LOCKED CONTAINER FULL (käymälä lukittu, säiliö täynnä). Käymälä antaa kolme äänimerkkiä kymmenen sekunnin välein siihen asti, kunnes tuhkasäiliö tyhjennetään.



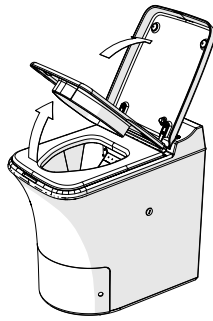
3.8 CINDERELLA FREEDOM -KÄYMÄLÄN KÄYTTÖ

1



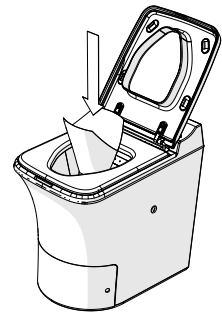
1. Tarkista, että ohjauspaneelin vihreä valo palaa. Se kertoo, että käymälä on valmiustilassa ja käyttövalmis.

2



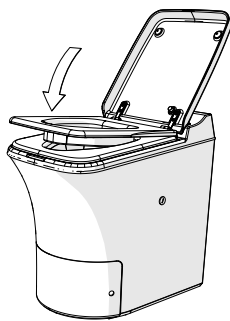
2. Avaa istuinkannet. Punainen valo alkaa vilkkua. Tuuletin käynnistyy.

3



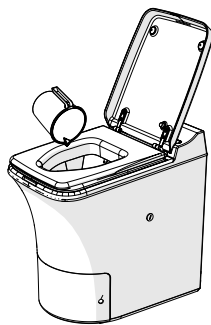
3. Aseta suojapussi käymälän altaaseen. Vaihda suojapussi jokaisella käyttökerralla.

4



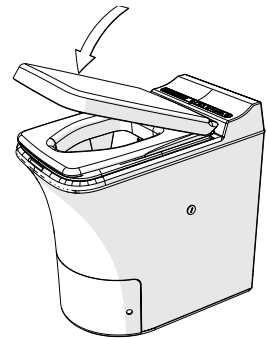
4. Laske istuinrenkas. Käymälä on valmis käytettäväksi.

5



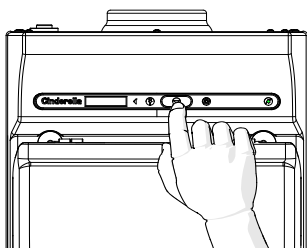
5. Käytä käymälää tavalliseen tapaan. Jos jätöksen määrä on pieni, käymälän altaaseen voi lisätä hieman vettä tuomaan painoa.

6



6. Sulje käymälän kansi.

7



7. Paina käynnistyspainiketta. Luukku aukeaa ja pussi sisältöineen putoaa polttokammioon. Poltto käynnistyy, kun luukku on sulkeutunut. Käymälä on nyt valmis seuraavaa käyttökertaa varten.

8



8. Polton ollessa käynnissä ohjauspaneelissa palaa keltainen valo. Käymälää voi käyttää milloin tahansa polton aikana. Poltto keskeytyy käytön ajaksi. Polttoaika riippuu käyttökertojen ja poltettavan jätöksen määrästä.

3.9 ETULUUKUN JA TUHKASÄILIÖN KÄYTTÖ



VAROITUS!

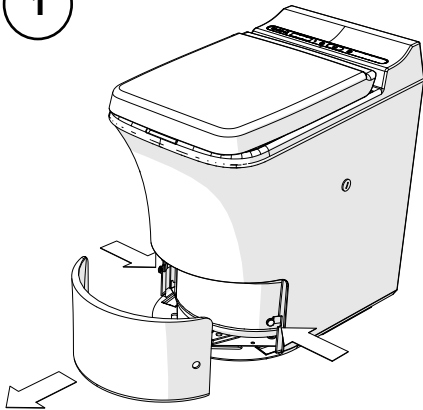
Tuhkasäiliötä saa käsitellä vain, kun käymälä on valmiustilassa ja jäähtynyt riittävästi.



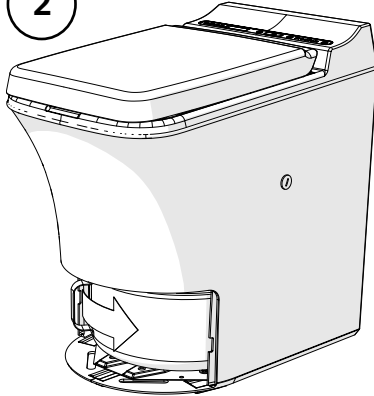
HUOMAUTUS!

Katso tuhkasäiliön puhdistus- ja tyhjennysohjeet käyttöohjeen huolto-osiosta.

1



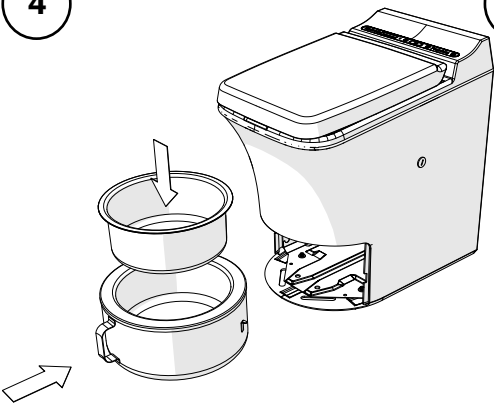
2



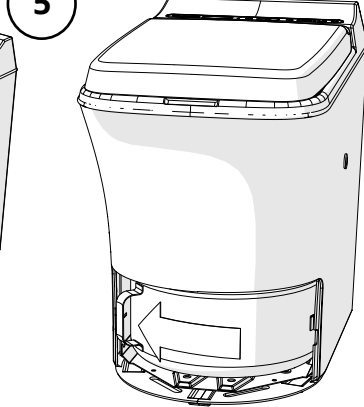
3



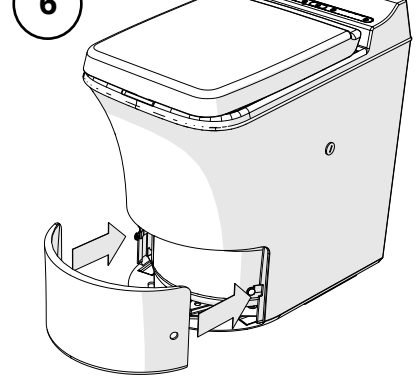
4



5



6



4. YLEISET HUOLTO-OHJEET

Tämä ohjekirja sisältää sekä käyttäjälle että koulutetuille ammattilaisille tarkoitetut huolto-ohjeet.

Toimiva ilmanvaihto on välttämätöntä käymälän ihanteellisen toiminnan kannalta. Poltossa syntyvät hiukkaset voivat ajan mittaan tukkia katalysaattorin ja savuhormin. Siksi näitä osia on huollettava säännöllisesti.

Jotta Cinderella Freedom -käymälä toimisi ihanteellisesti ja kestäisi käytössä pitkään, sille on tehtävä tietyt ennaltaehkäisevät huoltotoimet. Hyvä huoltorutiini pienentää käyttökustannuksia ja ehkäisee käymälän kulumista. Suosittelemme, että käyttäjä tekee käymälälle seuraavat huoltotoimet säännöllisesti:

1. Tyhjennä käymälä tiheästi. Älä laske käymälän käyttöä sen enimmäiskapasiteetin mukaan.
2. Puhdista tuhkasäiliö aina tyhjennyksen yhteydessä (ks. kohta 4.2.1).
3. Höyrypuhdista käymälän allas vähintään jokaisen suojaussipakkauksen (500 käyttökertaa) jälkeen, mieluiten jokaisen tuhkasäiliön tyhjennyksen ja puhdistuksen yhteydessä (ks. kohta 4.2.2).
4. Tarkista polttotulos aina tuhkasäiliön tyhjennyksen yhteydessä. Poikkeava tuhkan koostumus voi olla merkki huollon tai korjauksen tarpeesta (ks. kohta 4.1).

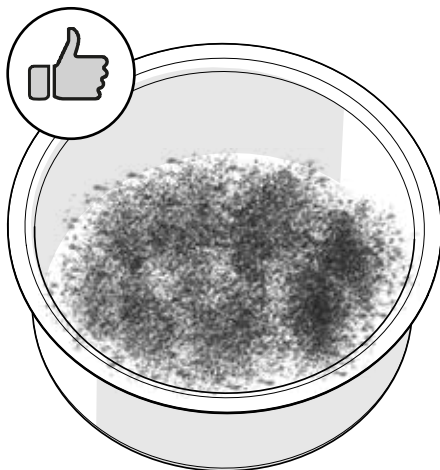


VAROITUS!

Tarkista aina ennen huoltotoimien aloittamista, että käymälä ei ole polttilassa ja että se on jäähtynyt riittävästi.

4.1 TUHKAN KOOSTUMUS

Koska tuhka koostuu ihmisjätöksistä, suoloista ja mineraaleista, se saattaa vaikuttaa kovalta ja kiteiseltä. Tuhkan seasta ei saa erottua paperia tai palamattomia jätöksiä, ja tuhkan värin tulisi olla väriltään valkoista ja tummanharmaata. Jos tuhkan seassa on palamattomia mustia kockareita, kosteutta tai paperia, käynnistä uusi poltto lisäämättä käymälään paperia tai nestettä. Kun poltto on valmis, tyhjennä tuhkasäiliö ja tee tämän ohjekirjan mukaiset huoltotoimet.

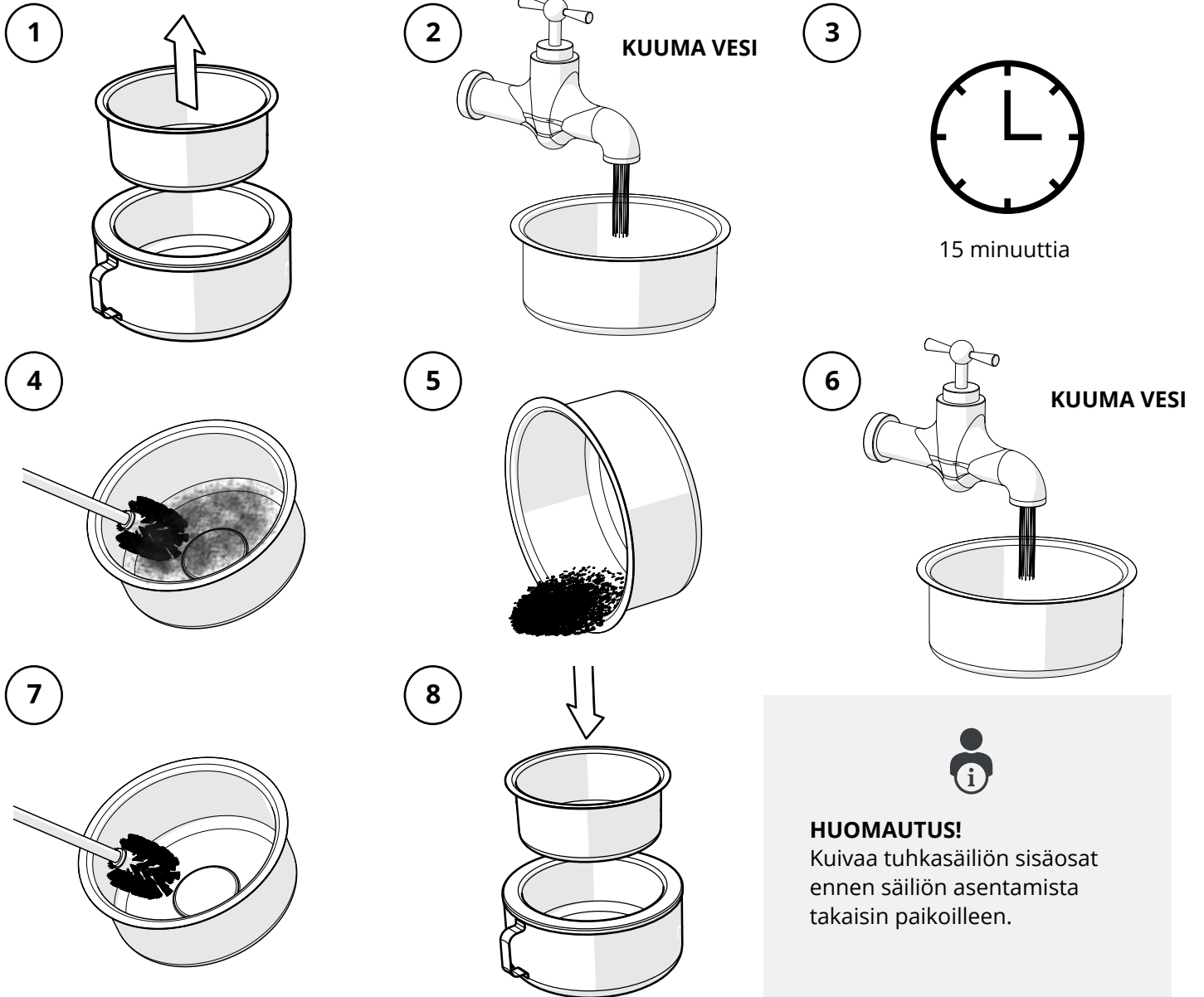


HUOMIO!

- Tuhka ei sovellu lannoitus- tai kompostikäyttöön. Se tulee hävittää kotitalousjätteen mukana paikallisten määräysten mukaisesti.
- Kun tuhka on palanut väriltään vaaleaksi, se on puhdasta ja turvallista käsitellä. Jos tuhka on mustaa ja liuskemaista tai poltto on jäänyt epätäydelliseksi, tee uusi poltto. Jos ongelma ei poistu, katso ohjeet vianetsintäosiosta.

4.2 HUOLTO-OHJEET KÄYTTÄJÄLLE

4.2.1 TUHKASÄILIÖN TYHJENNYS JA PUHDISTUS



HUOMIO!

Älä käytä tuhkasäiliön puhdistamisessa teräviä esineitä, sillä se voi vahingoittaa tuhkasäiliötä ja lyhentää sen käyttöikää.



HUOMAUTUS!

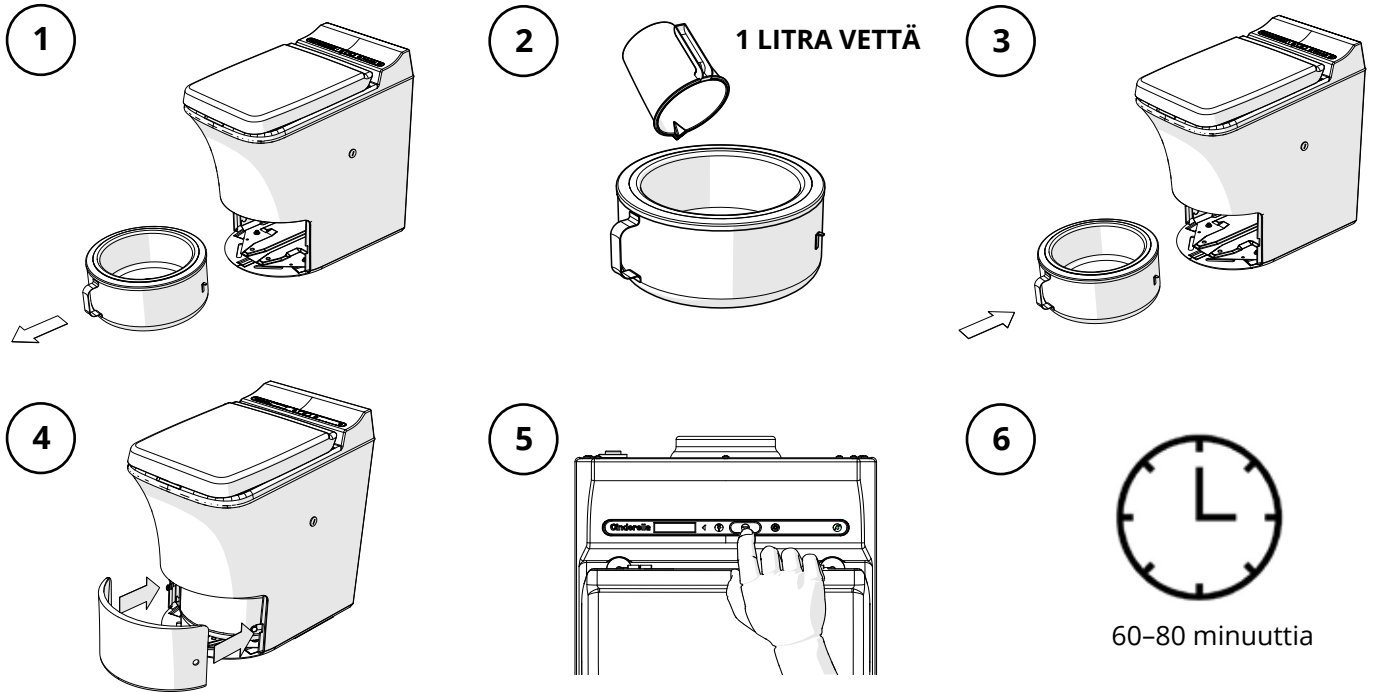
- Käymälän toimivuuden ylläpitämiseksi suosittelemme tekemään hörypuhdistuksen kohdan 4.2.2 ohjeilla jokaisen tuhkasäiliön tyhjennyksen ja puhdistuksen yhteydessä. Se ehkäisee noen ja sakan muodostumista katalysaattoriin ja savuhormiin.
- Käymälän tulee puhdistuksen aikana olla kytkettynä virtalähteeseen. Jos käymälä tyhjenetään virran ollessa katkaistuna, järjestelmä ei pysty nollaamaan laskuria.

4.2.2 KATALYSAATTORIN HÖRYPUHDISTUS

Suosittelu tiheys: Jokaisen tuhkasäiliön tyhjennyksen yhteydessä tai vähintään 500 käyttökerran välein.
Hörypuhdistus:

1. Varmista, että käymälä on jäähtynyt ja tuhkasäiliö on tyhjenetty ja puhdistettu (ks. kohta 4.2.1).
2. Poista etuluukku ja vapauta tuhkasäiliö.
3. Kaada tuhkasäiliöön noin 1 litra puhdasta vettä.

4. Aseta tuhkasäiliö paikalleen varovasti vettä läikyttämättä ja aseta etuluukku paikoilleen.
5. Nosta kansi ja varmista, että tuuletin alkaa pyöriä.
6. Käynnistä poltto painamalla käynnistuspainiketta.
7. Vesi alkaa kiehua ja höyry puhdistaa sakan katalyysattorista. Höyrypuhdistus kestää tavallisesti 60–80 minuuttia.



HUOMAUTUS!

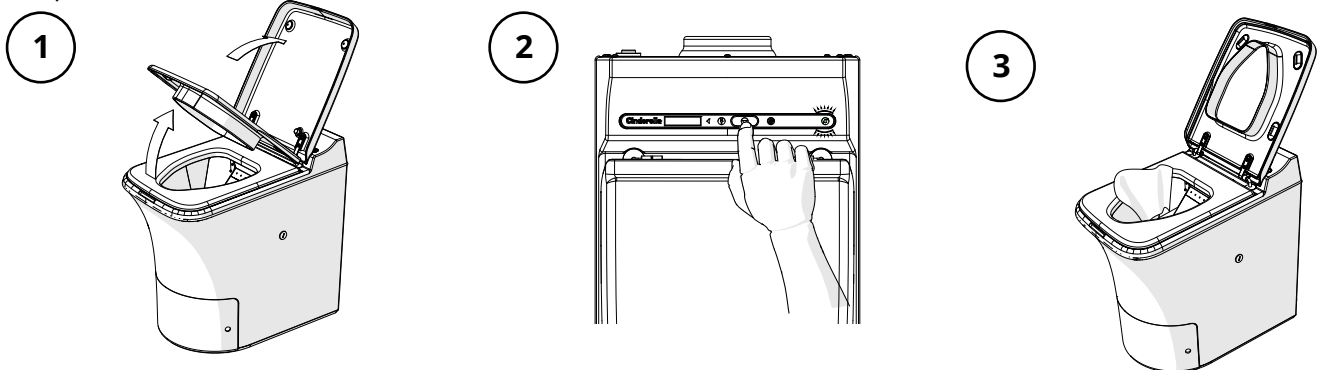
Käymälää ei saa käyttää höyrypuhdistuksen aikana, sillä se heikentää puhdistustehoa. Käymälää voi käyttää, kun se on palannut valmiustilaan.

4.2.3 KÄYMÄLÄN ALTAAN PUHDISTUS

Suosittelut tiheys: tuhkasäiliön puhdistuksen yhteydessä ja aina tarvittaessa.

Puhdista käymälän allas näin:

1. Avaa käymälän kansi.
2. Pidä käynnistuspainike painettuna 3 sekunnin ajan. Luukku avautuu puhdistusasentoon.
3. Pyyhi pinnat pehmeällä paperilla, vedellä ja miedolla pesuaineella tarpeen mukaan. Sulje kansi ja käynnistä poltto.



VAARA!

Älä käytä tulenarkoja puhdistusaineita käymälän altaan puhdistukseen. Käymälän metallireunat voivat olla teräviä. Käymälän on oltava jäähtynyt ja valmiustilassa ennen altaan puhdistusta.



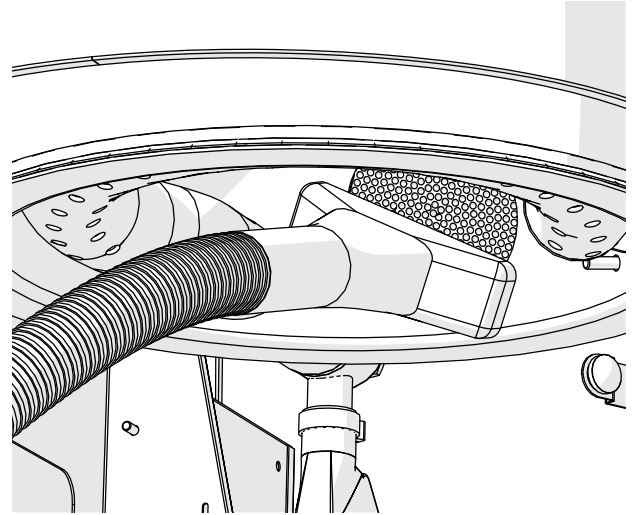
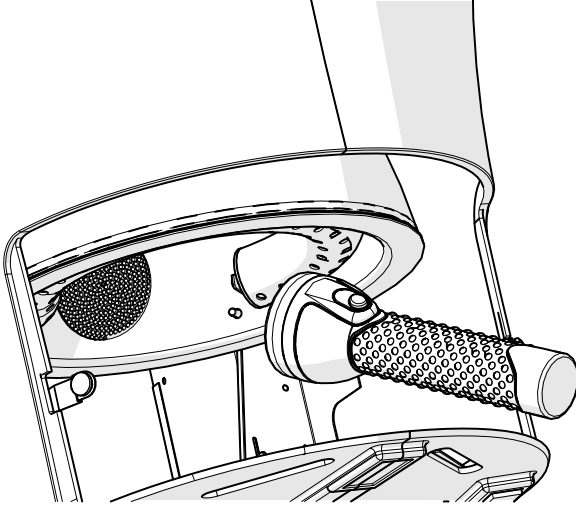
HUOMIO!

Älä käytä klooripitoisia puhdistusaineita käymälän altaan puhdistukseen. Kloori vahingoittaa katalyysattoria ja voi aiheuttaa toimintahäiriön.

4.2.4 KATALYSAATTORIN TARKISTUS JA PUHDISTUS IMURILLA

Suositteltu tiheys: 500 käyttökerran välein.

Katalysaattori muodostaa polttokammion ja savuhormin liitännän välisen ensisijaisen ilmanvaihtokanavan. Hiukkasten kertyminen katalysaattoriin heikentää ilman virtausta ja käymälän tehokkuutta. Siksi katalysaattorin tulee olla aina avoinna. Polttoajan ja/tai polton tehokkuuden muuttuminen voivat johtua katalysaattoriin kertyneestä sakasta. Paras ja helpoin tapa puhdistaa katalysaattori on tehdä kohdan 4.2.2 mukainen höyrypuhdistus. Katalysaattorin etuosan voi myös tarkistaa poistamalla tuhkasäiliön ja valaisemalla polttokammion sisäpuolelta. Hiukkaset ja kertymät voi poistaa imurilla.



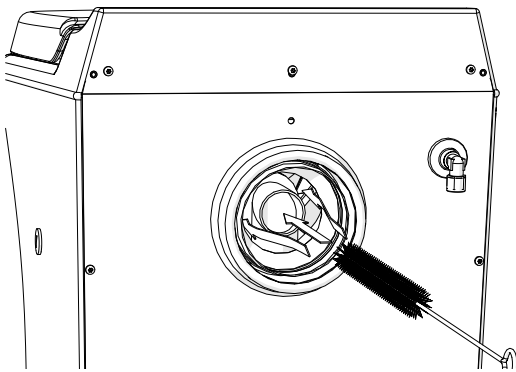
HUOMAUTUS!

Jos katalysaattorissa näkyy selkeästi syöpymiä tai kulumaa, katalysaattori on vaihdettava uuteen. Tilaa huolto paikalliselta palveluntarjoajalta.

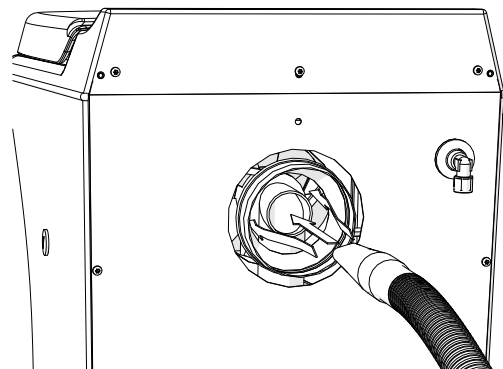
4.2.5 SAVUHORMIN LIITÄNNÄN PUHDISTUS

Suositteltu tiheys: vähintään 500 käyttökerran välein.

1. Puhdistusta varten käymälä on irrotettava savuhormista ja virtalähteestä.
2. Puhdista savuhormin liitäntä joustavalla harjalla. Puhdista sekä poistoputki että sitä ympäröivä liitin tuulettimen lapoihin asti hyvän ilmanvaihdon takaamiseksi.
3. Irrota ja puhdista tuhkasäiliö.
4. Puhdista savuhormi ja katalysaattori imurilla.
5. Liitä käymälä savuhormiin ja virtalähteeseen.
6. Aseta tuhkasäiliö ja etuluukku paikoilleen.
7. Savuhormin liitännän puhdistuksen jälkeen on suositeltavaa tehdä kohdan 4.2.2 mukainen höyrypuhdistus.



PUHDISTA POISTOPUTKI JA LIITIN

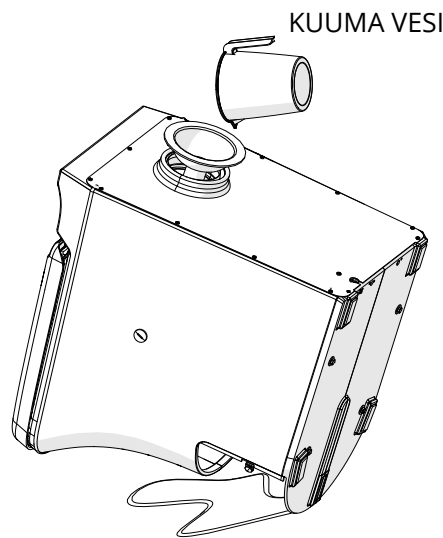


IMUROI POISTOPUTKI JA LIITIN

4.2.6 KATALYSAATTORIN HUUHTELU KUUMALLA VEDELLÄ

Jos höyrypuhdistus ei riitä poistamaan hiukkasia ja pahaa hajua, katalysaattori on huuhdeltava kuumalla vedellä. Huuhtelu edellyttää painavien esineiden nostamista, ja sen voi tehdä vain paikassa, jossa vettä saa roiskua. Tee ensin savuhormin liitännän puhdistuksen vaiheet 1–4 ja jatka niiden jälkeen seuraavasti:

1. Aseta käymälä sellaiseen paikkaan, johon saa roiskua vettä, esimerkiksi lattiakaivolliseen tilaan, ulkotiloihin tai kylpyammeeseen. Käytä Cinderellan omaa tai muuta suppiloa, joka mahtuu poistoputkeen. Kallista käymälää eteenpäin ja kaada 2–3 litraa kuumaa vettä poistoputken kautta katalysaattorin läpi. Huuhtelun loppuvaiheessa läpi valuvan veden tulisi olla puhdasta. Toista huuhtelu tarvittaessa.
2. Toista vaihe 1 neljästä viiteen kertaan, kunnes vesi on puhdasta eikä katalysaattorissa näy kiteitä tai muita tukkeumia (ks. kohta 4.2.4).
3. Liitä käymälä savuhormiin ja virtalähteeseen.
4. Aseta tuhkasäiliö ja etuluukku paikoilleen.
5. Tee toimivuustestaus kohdan 2.8 mukaisesti.



HUOMAUTUS!

Ennen käymälän irrottamista ja huuhtelemista kuumalla vedellä, tarkista katalysaattori ja tee kohdan 4.2.2 mukainen höyrypuhdistus. Jos katalysaattori on edelleen tukossa tai polton aikana muodostuu hajua, huuhtele katalysaattori kohdan 4.2.6 mukaisesti.



HUOMIO!

Käymälän etukuori on ohut, eikä käymälän koko painoa saa laskea sen varaan. Ole varovainen kallistaessasi käymälää ja varmista, että sen kuori en vaurioidu. Toimenpide on suositeltavaa suorittaa kahden ihmisen voimin, jolloin toinen voi pidellä käymälää toisen huuhtoessa katalysaattoria.

5. VIANETSINTÄ JA USEIN KYSYTTYÄ



VAROITUS!

Huollot tulee tehdä kansallisten ja paikallisten määräysten mukaisesti. Jos et tiedä alueellasi noudatettavia määräyksiä, käänny jälleenmyyjän tai valtuutetun huollon puoleen. Käymälä on irrotettava virtalähteestä ennen huolto- ja korjaustoimien suorittamista.

Vianetsintä verkossa

Ohjauspaneelin ääni- ja valomerkit ilmaisevat käymälän tilan. Käymälän toimintahäiriöt ilmaistaan erilaisilla ääni- ja valomerkeillä, jotka on kuvattu kohdassa 5.1. Tavallisimmat vika- ja ongelmatilanteet on koottu verkossa olevaan vianetsintäoppaaseen. Sen avulla voit selvittää, millaisesta viasta on kyse, ja saat ratkaisuehdotuksia.

Kaasu loppunut

Polton epäonnistuminen ja näytön vilkkuva keltainen valo voivat olla merkki siitä, että propaanisäiliö on tyhjä. Säiliö on tällöin täytettävä tai vaihdettava.

Käymälän järjestelmän nollaus

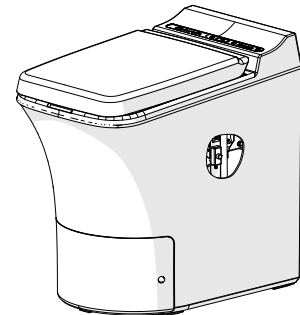
Käymälä on toisinaan hyvä nollata puhdistuksen ja vianetsinnän yhteydessä. Nollaa järjestelmä seuraavasti: Paina käynnistuspainiketta. Kuuluu lyhyt äänimerkki. Pidä painiketta painettuna noin 8 sekuntia, kunnes kuuluu pitkä äänimerkki. Vapauta painike.

Virheilmoitukset

Kun yksi tai useampi ohjauspaneelin valoista vilkkuu, selvitä syy ja korjaa ongelma ennen käymälän käyttämistä. Jos käymälä muodostaa hajua, polttaa huonosti tai järjestelmässä ilmenee toimintahäiriö, tilanne on selvitettävä välittömästi käymälän vaurioitumisen ja turhien korjauskustannusten välttämiseksi.

Kaksimetallisen termostaatin virhe

Kaksimetallinen termostaatti antaa virheilmoituksen, kun käymälän sisälämpötila nousee liian suureksi. Näin tapahtuu tavallisesti, kun ilmankierto on riittämätöntä tai korvaus- tai poistoilmaputkissa on tukos. Tarkista korvausilman saanti ja että savuhormi on avoin ja esteetön. Tarkista katalysaattori silmämääräisesti ja tee höyrypuhdistus kohdan 4.2.2 mukaisesti. Nollaa termostaatti ruuvaamalla laitteen sivulla oleva muoviruuvi irti, painamalla painiketta ja ruuvaamalla ruuvi takaisin paikalleen.



Sähkökatkon sattuessa

Jos poltto on käynnissä sähkökatkon sattuessa, käymälästä saattaa tulla hajua tilapäisesti ja ulkona olevasta savuhormista saattaa tulla savua ja hajua. Sähkökatkon jälkeen poltto ei käynnisty automaattisesti, vaan käyttäjän on käynnistettävä uusi poltto. Jos sähkökatkon odotettu kesto on yli kaksi tuntia, käymälä on tärkeää tyhjentää, sillä muuten käymälä saattaa vaurioitua. Käymälää ei saa käyttää sähkökatkon aikana.

Hajunmuodostus sisätiloissa

Hajunmuodostus voi johtua useista syistä:

1. Suojapussin käyttämättä jättäminen tai suojapussin vääränlainen käyttö.
2. Ilmanvaihto ei toimi. Tarkista savuhormi ja savuhormin hattu.
3. Tarkista, että käymälä on asennettu asennusohjeen mukaisesti. Savuhormin esteet voivat aiheuttaa alipainetta ja hajunmuodostusta sisälle.
4. Poistoputki saattaa olla tukossa. Ks. kohta 4.3.1.
5. Katalysaattori saattaa olla tukossa. Ks. kohta 4.3.1.
6. Poistoputki ei ole kunnolla kiinni käymälässä. Ks. kohta 2.5.1.

Hajunmuodostus ulkotiloissa

Syyt voivat olla samoja kuin sisätiloissa tai johtua seuraavista:

1. Katalysaattori ei ole saavuttanut käyttölämpötilaa. Kun käymälä on kylmä, katalysaattorin lämpeneminen oikeaan lämpötilaan saattaa viedä muutaman minuutin.
2. Katalysaattori saattaa olla syöpyntä tai vioittunut. Ota yhteyttä valtuutettuun huoltoon.

5.1 VIANETSINTÄTAULUKKO



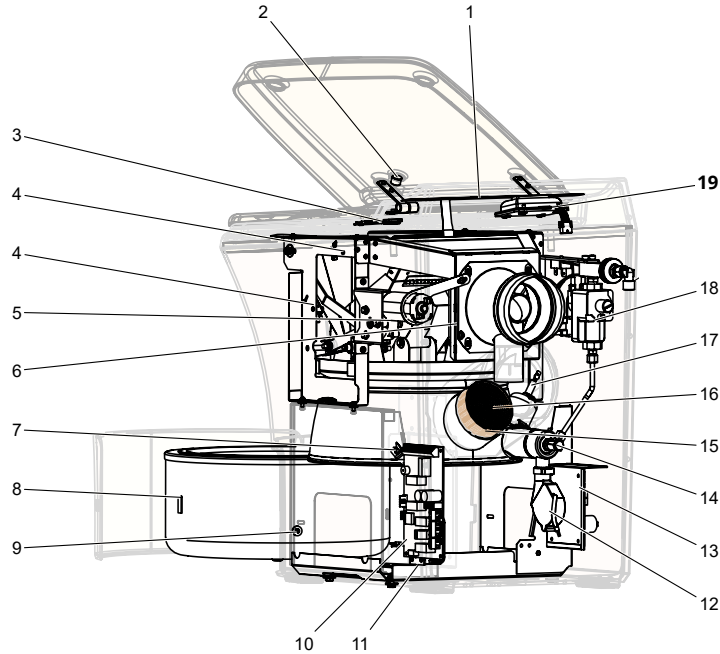
HUOMAUTUS!

Cinderalla on kehittänyt digitaalisen vianetsintämoduulin, joka on saatavilla verkkosivuillamme. Se toimii vianetsintätaulukon lisänä. Löydät sen osoitteesta www.cinderellaeco.com.

VIRHE	ILMOITUS	PUNAINEN VALO	KELTAINEN VALO	VIHREÄ VALO	ÄÄNI	OHJEET
Tuhkasäiliö on tyhjennettävä.	Tyhjennä tuhkasäiliö	VILKKUU vuorotellen	VILKKUU vuorotellen	PALAA	3 ÄÄNIMERKKIÄ	1 Irrota ja tyhjennä tuhkasäiliö. * Käymälän tulee olla liitettynä 230 V:n virtalähteeseen.
Tuhkasäiliö on tyhjennettävä. Käymälä lukittu.	Käymälä lukittu, säiliö täynnä	PALAA	PALAA	PALAA	3 ÄÄNIMERKKIÄ 10 SEKUNNIN VÄLEIN	1 Irrota ja tyhjennä tuhkasäiliö. * Käymälän tulee olla liitettynä 230 V:n virtalähteeseen.
Ei virtaa	Tyhjä näyttö	EI PALA	EI PALA	EI PALA		1 Varmista, että käymälä on liitettynä virtalähteeseen (230 V AC).
Tuuletinvirhe	Tuuletinvirhe	VILKKUU	EI PALA	VILKKUU	10 ÄÄNIMERKKIÄ	1 Tarkista tuuletin esteiden varalta ja varmista, että se pääsee pyörimään vapaasti. 2 Nollaa käymälä (pidä käynnistuspainike painettuna). 3 Avaa kansi, kunnes punainen valo alkaa vilkkua. Sulje kansi ja paina käynnistuspainiketta. Jos vika ei poistu, kutsu huolto.
Luukun toimintahäiriö	Luukun toimintahäiriö	VILKKUU	EI PALA	PALAA	10 ÄÄNIMERKKIÄ	1 Jos käymälä on lämmin, nollaa se. 2 Avaa kansi, kunnes punainen valo alkaa vilkkua. Sulje kansi ja paina käynnistuspainiketta. 3 Jos vika ei poistu, nollaa käymälä, aseta suojapussi altaaseen ja kaada pussiin 7 dl vettä. Sulje kansi ja paina käynnistuspainiketta. 4 Jos vika ei poistu, odota kunnes käymälä on jäähtynyt (tuuletin lakkaa toimimasta). 5 Nollaa käymälä uudelleen ja avaa kansi, kun luukku on avautumassa, ja poista luukun toimintaa estävä esine. Jos vika ei poistu, kutsu huolto.
Tuhkasäiliö ei ole kohdillaan.	Tuhkasäiliö ei ole kohdillaan.	VILKKUU	VILKKUU	PALAA	3 ÄÄNIMERKKIÄ	1 Aseta tuhkasäiliö kohdilleen kiertämällä kahvaa vasemmalle. 2 Tarkista, että säiliön pysäytin on ehjä. 3 Tarkista säiliön magneetin kunto silmämääräisesti. Jos vika ei poistu, kutsu huolto.
Lämmityspiirin toiminta on keskeytynyt	Polttojärjestelmän virhe	EI PALA	VILKKUU	PALAA	JATKUVAT ÄÄNIMERKIT	1 Nollaa käymälä. 2 Tarkista käymälän oikealla puolella oleva kaksimetallinen termostaatti. Kierrä harmaa tulppa auki ja paina sisällä olevaa sulaketta sormella. Älä käytä teräviä esineitä. Jos sulake on lauennut, kuulet naksahduksen. Ks. kohta 5. 3 Jos vika ei poistu, nollaa käymälä uudelleen ja yritä käynnistää se. Toista muutaman kerran. Jos vika ei poistu, kutsu huolto.
Kannen anturi on lauennut	Kansi on auki	VILKKUU	EI PALA	PALAA	-	1 Tarkista kannen alla oleva magneetti ja sulje kansi. Jos vika ei poistu, kutsu huolto.
Lämpötila-anturin toimintavirhe	Lämpötila-anturin virhe	EI PALA	VILKKUU	VILKKUU	JATKUVAT ÄÄNIMERKIT	1 Nollaa käymälä. 2 Avaa kansi, kunnes punainen valo alkaa vilkkua. Sulje kansi ja paina käynnistuspainiketta. 3 Jos vika ei poistu, kutsu huolto.
Ei lukukelpoinen / ei ilmoitusta	Ei lukukelpoinen / tyhjä näyttö					1 Irrota käymälä virtalähteestä ja odota 5 min. 2 Liitä käymälä virtalähteeseen ja käynnistä. 3 Jos vika ei poistu, kutsu huolto.

6. KORJAUS JA VARAOSAT

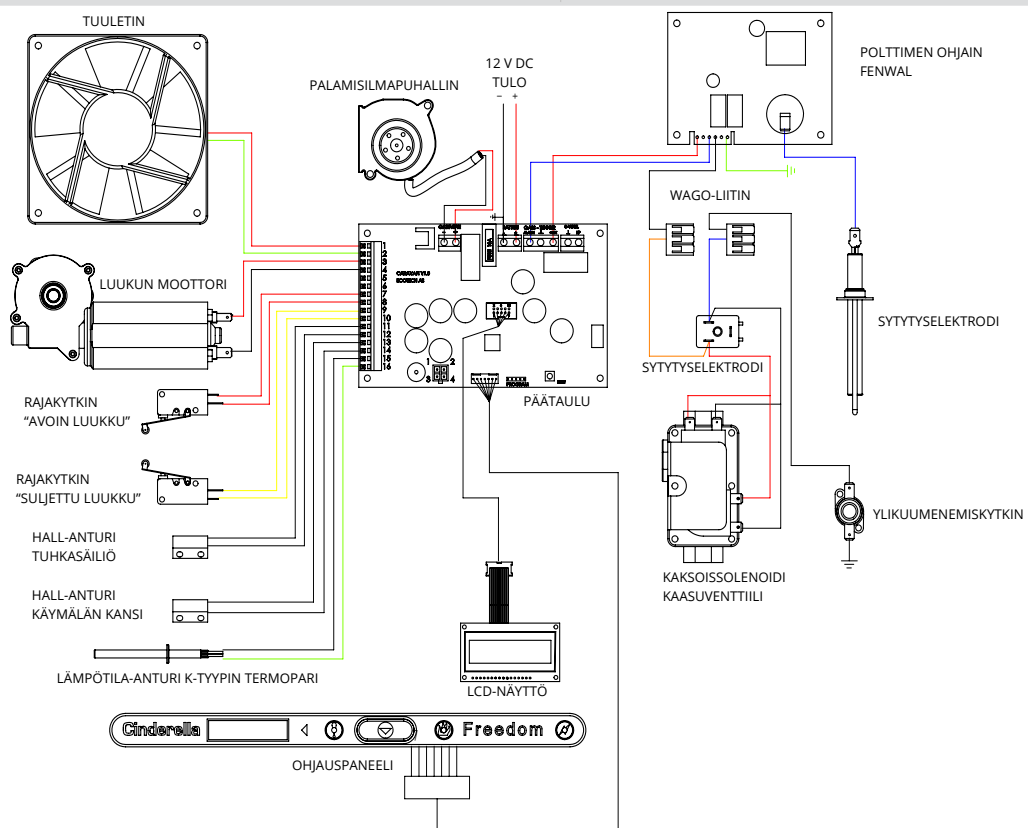
6.1 VARAOSALUETTELO



NRO	OSAN KUVAUS	TUOTENRO
1	Ohjauspaneeli	100981
2	Magneetti 14x10 mm	100433
3	Hall-anturi, johto ja teippi P = 330 mm	100964
4	Mikrokytkin	101127
5	Nidec-moottori 12/24 V DC	101177
6	Aksiaalipuhallin 12 V DC 119x38 mm	100154
7	Lämpöparikokoonpano	100831
8	Pysäytyskannatin 9x26x12 mm	100017
9	Magneetti 14x7 mm	100065
10	Piirilevy kaasu	100989

NRO	OSAN KUVAUS	TUOTENRO
11	Hall-anturi	100228
12	Keskipakotuuletin 51x51x15	100542
13	Fenwal-sytytysyksikkö	100424
14	Kaasusuutin 8 tuumaa WC propaani SM	101414
15	Eriste 275x90x2 mm	100163
16	Katalysaattori 90x75 mm	100528
17	Sytytys elektrodi	100196
18	Kaasunsäätö - Maxitrol CV200	101224
19	LED-näyttö 65 x 36 x 13	100401

6.2 KYTKENTÄKAAVIO



7. Takuu

Mitä takuu kattaa?

Tämä takuu kattaa Cinderella-polttokäymälän materiaali- ja valmistusvirheet. Takuun voimassaoloaika on ilmoitettu jäljempänä, samoin poikkeukset takuun voimassaoloon.

Mitä takuu ei kata?

Tämä takuu ei kata normaalista käytöstä aiheutuvaa kulumista eikä onnettomuuksista (mukaan lukien tulipalo, tulva, hirmumyrsky ja muut luonnonmullistukset), väärinkäytöstä, virheellisestä käytöstä, valmistajan ohjeiden laiminlyönnistä tai riittämättömästä huollosta aiheutuvia vahinkoja. Tämä takuu ei kata välillisiä tai muita epäsuoria vahinkoja. Cinderella Eco Group ei tarjoa paikan päällä -takuuta. Tämä tarkoittaa sitä, että käymälä on toimitettava huollettavaksi valtuutettuun huoltoliikkeeseen. Jos se ei ole mahdollista, jälleenmyyjällä on oikeus veloittaa kuljetus- tai matkakustannukset.

Kuinka kauan takuu on voimassa?

Kuluttajalle tämä takuu on voimassa kolme (3) vuotta tuotteen alkuperäisestä ostopäivästä. Ammattiostajille takuu on voimassa yhden (1) vuoden ostopäivästä.

Miten Cinderella Eco Group toimii takuuasioissa?

Jos esität oikeutetun takuuvaatimuksen, Cinderella Eco Group valintansa mukaan joko korjaa Cinderella-polttokäymälän, vaihtaa sen uuteen tai hyvittää sen ostohinnan.

Miten saan tuotteelle takuuhuollon?

Varaa huolto ottamalla yhteyttä tuotteen myyjään tai valtuutettuun huoltoliikkeeseen. Huoltovaihtoehdot vaihtelevat maittain.

Takuuhuollon saadaksesi sinua voidaan pyytää esittämään ostokuitti. Tarkempaa tietoa takuusta on osoitteessa www.cinderellaeco.com

Cinderella Eco Group AS

Sjøvikvegen 67, 6475 Midsund, Norja
www.cinderellaeco.com

INHALT

1. ALLGEMEINES	3
1.1 EINFÜHRUNG	3
1.2 BESTIMMUNGSGEMÄSSER GEBRAUCH	3
1.3 BETRIEBSANLEITUNG	3
1.4 HAFTUNGSBESCHRÄNKUNG	3
1.5 GENEHMIGUNGEN UND ZERTIFIZIERUNGEN	3
1.6 UMGEBUNGSBEDINGUNGEN	3
1.7 ALLGEMEINE SICHERHEITSHINWEISE	4
1.8 TYPENSCHILD	5
1.9 CINDERELLA ONLINE	5
2. INSTALLATION	6
2.1 AUSPACKEN IHRER CINDERELLA-VERBRENNUNGSTOILETTE	6
2.2 ABMESSUNGEN	6
2.3 ORIGINAL-INSTALLATIONSSETS FÜR IHRE CINDERELLA-TOILETTE	7
2.4 INSTALLATIONSSPEZIFIKATIONEN	8
2.4.1 SPEZIFIKATIONEN FÜR TEILE UND MATERIALIEN	8
2.5 INSTALLATION DER CINDERELLA-VERBRENNUNGSTOILETTE	8
2.5.1 INSTALLATION DER ENTLÜFTUNGSRÖHRE	9
2.5.2 LUFTEINLASS	10
2.5.3 INSTALLATION DES ORIGINAL-CINDERELLA-DACHAUFSATZES	11
2.5.4 GASINSTALLATION	11
2.6 ELEKTRISCHE SPEZIFIKATIONEN UND ANFORDERUNGEN	12
2.7 ENTFERNEN DER TRANSPORTSICHERUNG	12
2.8 CHECKLISTE ZUR ÜBERPRÜFUNG DER FERTIGEN INSTALLATION	13
2.9 LEISTUNGSTEST ZUR ÜBERPRÜFUNG DER FUNKTION DES SYSTEMS	13
3. BEDIENUNG	14
3.1 VERWENDUNGSZWECK UND HANDHABUNG	14
3.2 ALLGEMEINE SICHERHEIT	14
3.3 SICHERHEIT BEIM UMGANG MIT GAS	14
3.4 SICHERER BETRIEB	14
3.5 SICHERHEITSMERKMALE VON CINDERELLA FREEDOM	14
3.6 WICHTIGE INFORMATIONEN FÜR DEN BENUTZER	15
3.7 DAS BEDIENPANEL	16
3.8 VERWENDUNG DER CINDERELLA-FREEDOM-TOILETTE	17
3.9 UMGANG MIT DER FRONTABDECKUNG UND DEM ASCHEBEHÄLTER	18
4. ALLGEMEINE WARTUNGSANWEISUNGEN	19
4.1 MERKMALE DES ENDPRODUKTS	19
4.2 KUNDENSEITIGE WARTUNG	20
4.2.1 ENTLEERUNG UND REINIGUNG DES ASCHEBEHÄLTERS	20
4.2.2 DAMPFREINIGUNG DES KATALYSATORS	20
4.2.3 REINIGUNG DER TOILETTENSCHÜSSEL	21
4.2.4 INSPEKTION UND AUSSAUGEN DES KATALYSATORS	22
4.2.5 REINIGUNG DER ENTLÜFTUNGSÖFFNUNG DER TOILETTE	22
4.2.6 SPÜLEN DES KATALYSATORS MIT HEISSEM WASSER	23
5. FEHLERBEHEBUNG UND HÄUFIG GESTELLTE FRAGEN	24
5.1 TABELLE ZUR FEHLERBEHEBUNG	25
6. REPARATUREN UND ERSATZTEILE	26
6.1 ERSATZTEILLISTE	26
6.2 SCHALTPLAN	26
7. GARANTIE	27

1. ALLGEMEINES

1.1 EINFÜHRUNG

Um die einwandfreie Funktion Ihrer neuen Cinderella-Toilette zu gewährleisten, muss unbedingt für eine ordnungsgemäße Be- und Entlüftung entsprechend den Anweisungen in diesem Handbuch gesorgt werden. Unsachgemäße Installation kann zu Fehlfunktionen, Verschleiß und/oder Gerüchen führen und hat den Verlust der Garantie zur Folge. Bei der Installation der Toilette sind die technischen und administrativen Regelungen des Landes zu beachten, in dem sie installiert wird.

1.2 BESTIMMUNGSGEMÄSSER GEBRAUCH

Die Toilette ist zur Verbrennung von Ausscheidungsprodukten und kleinen Hygieneartikeln wie Toilettenpapier und Feuchttüchern ohne Alkohol bestimmt.

Die Toilette darf nicht in mobilen oder transportablen Umgebungen wie Wohnmobilen oder Wohnwagen installiert werden.

1.3 BETRIEBSANLEITUNG

Bitte lesen Sie sich dieses Produkthandbuch vor der Installation und dem ersten Gebrauch sorgfältig durch. Bewahren Sie das Handbuch an einem sicheren Ort auf, damit Sie es bei Bedarf nochmals zurate ziehen können. Wenn Sie das Produkt an eine andere Person weitergeben, händigen Sie gleichzeitig auch dieses Produkthandbuch aus.

Das Handbuch bietet die notwendige Hilfestellung für eine sachgemäße Installation, Bedienung und Wartung des Produkts. Es ist wichtig, dass sich sowohl der Installateur als auch der Benutzer mit den Anweisungen in diesem Handbuch vertraut machen. Das Handbuch enthält auch Informationen zur professionellen Wartung sowie eventuell notwendige Informationen für Servicearbeiten und Reparaturen.

Eine digitale Version dieses Dokuments und weitere Informationen sind unter www.cinderellaeco.com zu finden.

1.4 HAFTUNGSBESCHRÄNKUNG

In folgenden Fällen übernimmt der Hersteller keine Haftung für Schäden:

- Fehlerhafte Installation
- Schäden am Produkt infolge einer falschen Anschlussspannung
- Veränderungen am Produkt ohne ausdrückliche Genehmigung des Herstellers
- Verwendung für andere als die im Produkthandbuch beschriebenen Zwecke
- Nichtbeachtung der Bedienungs- und Wartungsanweisungen
- Verwendung entgegen den geltenden Regelungen oder Vorschriften
- Verwendung anderer als der Original-Toilettenbeutel und -Ersatzteile

1.5 GENEHMIGUNGEN UND ZERTIFIZIERUNGEN

Cinderella Freedom wurde von DBI and SLG umfassend gemäß der europäischen Norm für Gasgerätesicherheit und elektromagnetische Verträglichkeit geprüft.

1.6 UMGEBUNGSBEDINGUNGEN

- Umgebungstemperatur: -20 bis +40 °C
- Höhe über dem Meeresspiegel: bis 1.500 m getestet



ACHTUNG!

Die installierte Cinderella-Toilette muss einen Mindestabstand zu brennbaren Baustoffen von 50 mm an den Seiten und 50 mm an der Rückseite einhalten.

1.7 ALLGEMEINE SICHERHEITSHINWEISE



GEFAHR!

Sicherheitsrelevante Anweisung: Eine Nichtbeachtung dieser Anweisung kann zu schweren Verletzungen oder zum Tod führen.



WARNUNG!

Sicherheitsrelevante Anweisung: Eine Nichtbeachtung dieser Anweisung kann zu Verletzungen führen.



ACHTUNG!

Eine Nichtbeachtung dieser Anweisung kann zu Sachschäden führen und die Funktion des Produkts beeinträchtigen.



HINWEIS!

Ergänzende Informationen zum Betrieb des Produkts.



GEFAHR!

- Versprühen Sie keine Aerosole in der Nähe der Toilette, während diese in Betrieb ist.
- Verwenden oder lagern Sie keine brennbaren Materialien in oder in der Nähe der Toilette.
- Legen Sie keine Gegenstände auf die Toilette und lehnen Sie keine Gegenstände dagegen.
- Nehmen Sie keine Veränderungen an der Toilette vor.



- Benutzen Sie die Verbrennungstoilette nicht, wenn sie sichtbar beschädigt ist.
- Falls das DC-Stromkabel der Toilette beschädigt ist, muss es vom Hersteller, dem Kundendienst oder einer ähnlich qualifizierten Person ausgetauscht werden, um Sicherheitsrisiken zu beseitigen.
- Verwenden Sie niemals offenes Feuer, um die Gasanschlüsse der Toilette auf Lecks zu kontrollieren.
- Die Toilette darf nur von qualifiziertem Personal repariert werden. Unsachgemäße Reparaturen können schwerwiegende Gefahren mit sich bringen.
- Verwenden Sie ausschließlich Flüssiggas (LPG).
- Betreiben Sie die Toilette nur mit dem Druck, der auf dem Typenschild auf der Rückseite der Toilette angegeben ist.



WARNUNG!






- Quetschgefahr! Fassen Sie nicht an das Scharnier oder unter den Toilettensitz, während dieser geöffnet ist, da Deckel und Sitz nicht mit einer Absenkautomatik ausgestattet sind.
- Entleeren Sie den Aschebehälter nicht, wenn dieser heiß ist.
- Stellen Sie vor dem Betätigen sicher, dass Stromkabel und Stecker trocken sind.



- Heben Sie die Toilette beim Transport nur am Toilettengehäuse an. Heben Sie die Toilette niemals am Gasanschluss, dem Stromkabel, der Frontabdeckung, dem Deckel oder Sitz oder der Entlüftungsöffnung an.
- Kontrollieren Sie, ob die auf dem Typenschild angegebene Spannung jener der Stromversorgung entspricht.
- Verwenden Sie ausschließlich Stromkabel mit geeignetem Querschnitt.
- Überhitzungsgefahr! Sorgen Sie stets für eine ausreichende Entlüftung, damit bei der Verbrennung entstehende Hitze und Emissionen über das Entlüftungsrohr entweichen können. Stellen Sie einen ordnungsgemäßen Luftfluss im System sicher. Sorgen Sie stets für eine ausreichende Luftzufuhr in die Toilette.
- Stellen Sie sicher, dass die Toilette weit genug von Wänden und anderen Objekten entfernt steht, damit die Luft zirkulieren kann.

1.8 TYPENSCHILD

Das Typenschild ist auf der Rückseite der Verbrennungstoilette zu finden. Auf dem Schild sind das Modell, die Seriennummer, technische Daten zu Ihrer Toilette und Support-Informationen angegeben. Diese Angaben benötigen Sie, wenn Sie sich an den Kundendienst wenden oder Ersatzteile bestellen möchten.

<p>MANUFACTURER</p>  <p>Cinderella Incineration Toilets</p> <p>CINDERELLA ECO GROUP AS Sjøvikvegen 67, 6475 Midsund, NORWAY For sales and support call +4777711500 or visit our web www.cinderellaeco.com</p> <p>CINDERELLA FREEDOM MODEL: PM02CS03EU SERIAL:</p>	<p>Appliance Specifications</p> <p>VOLTAGE..... 12V DC CURRENT 4 A GAS:..... PROPANE FAN BLOWER:..... 12V DC GAS SUPPLY PRESSURE: 30 mBar CAPACITY..... 3-4 PEOPLE PR. HOUR CONNECTED LOAD 425 G/H EFFECT..... 2.86 kW EXHAUST SYSTEM CONSTRUCTION -B22 DEVICE CATEGORY 13 B/P YEAR OF MANUFACTURING..... 2021 DESIGNED FOR..... HOME/CABINS, SANITATION WELFARE UNIT</p>	   
	<p>For information on how to claim warranty, support and recycle our product visit www.cinderellaeco.com</p>	

1.9 CINDERELLA ONLINE



REGISTRIEREN SIE SICH BEI „MY CINDERELLA“

Wenn Sie Ihre Toilette in „My Cinderella“ registrieren, erhalten Sie relevante Informationen zu unseren Produkten und verfügbaren Zubehörsystemen sowie passende Sonderangebote speziell für Ihr Toilettenmodell. Im Falle eines Diebstahls sind registrierte Toiletten in unserer Herstellerdatenbank gespeichert.

Online-Fehlersuche

Ein vollständiger Leitfaden für Ihre Toilette, in dem Sie nützliche Hinweise und Verbesserungsmöglichkeiten für Benutzer finden und mit dem Sie die häufigsten Probleme selbst lösen können, ohne Unterstützung anfordern zu müssen.

Einfacher Zugang zu Informationen

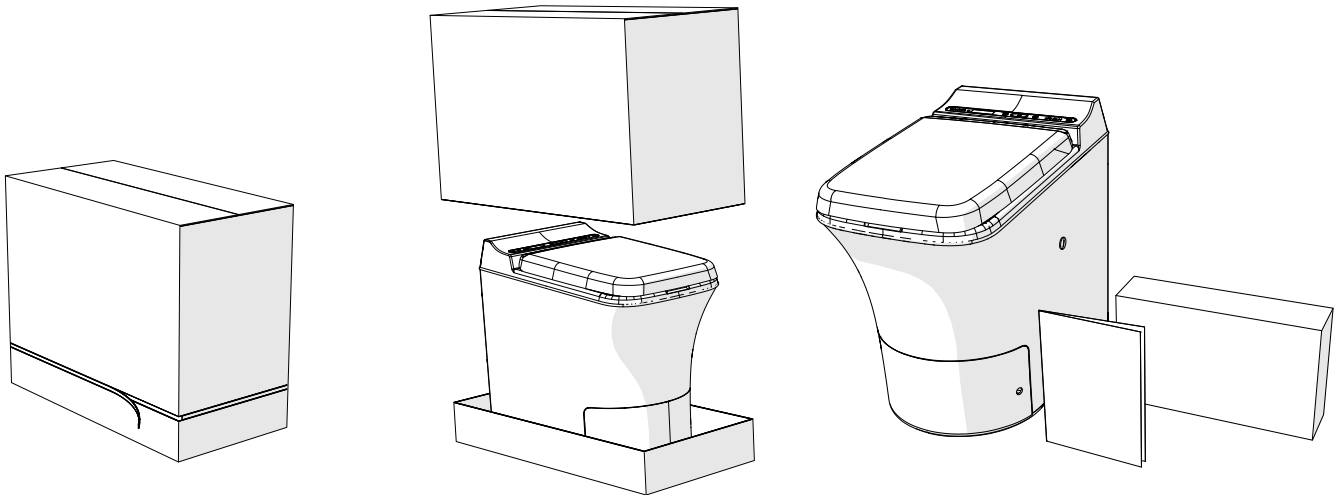
Produktbezogene Dokumente können Sie in unserem Online-Dokumentationszentrum herunterladen. Dort finden Sie Produkthandbücher, Servicehandbücher und ein Handbuch für die Demontage von Elektro- und Elektronik-Altgeräten (WEEE).

Service und Ersatzteile

Wählen Sie Ihr Land aus, um sich eine Liste lokaler Fachhändler anzeigen zu lassen, bei denen Sie Serviceleistungen und Ersatzteile erhalten können.

2. INSTALLATION

2.1 AUSPACKEN IHRER CINDERELLA-VERBRENNUNGSTOILETTE



HINWEIS!

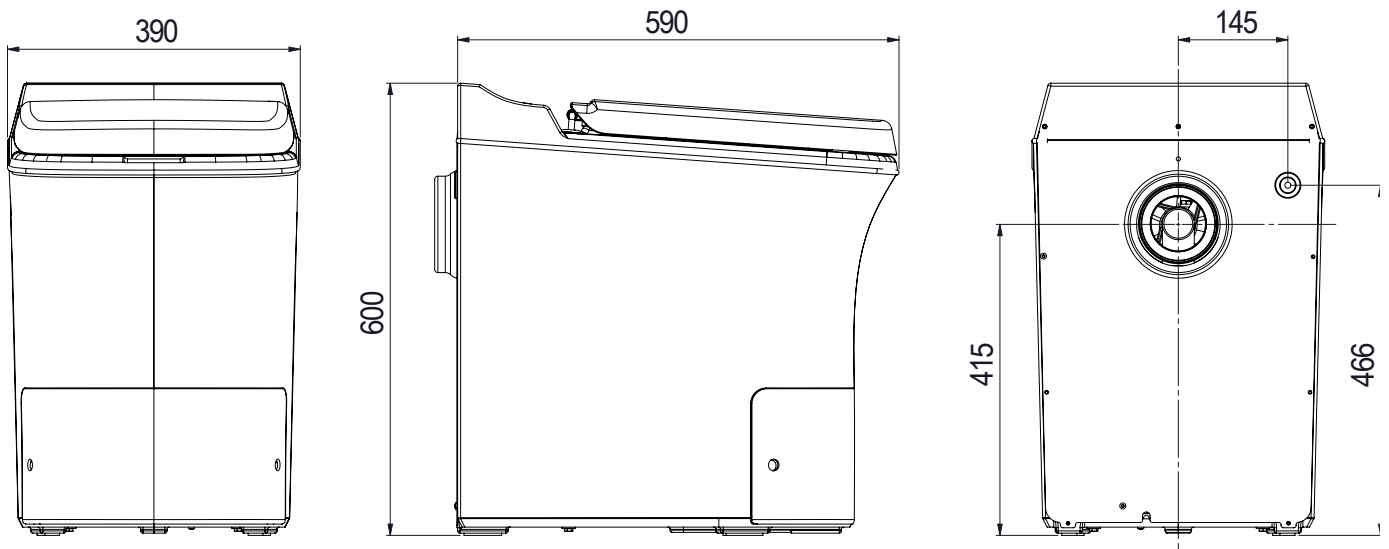
Verwenden Sie zum Auspacken der Cinderella-Toilette den Öffnungsstreifen im unteren Bereich des Kartons. Lösen Sie den Streifen um den gesamten Karton herum und heben Sie den Karton ab.

ENTHALTENE ARTIKEL	MENGE
Cinderella PM02CS03	1
Toilettenbeutel	1
Produktthandbuch	1

2.2 ABMESSUNGEN

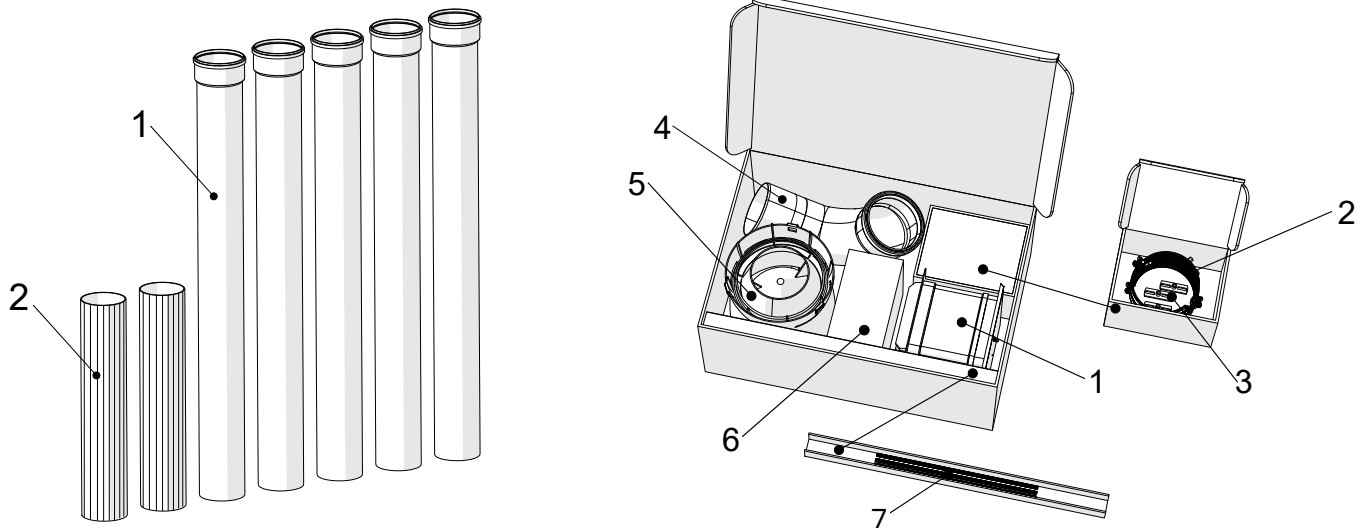
Höhe	600 mm
Sitzhöhe	540 mm
Breite	390 mm

Tiefe	590 mm
Höhe Mittelpunkt Entlüftungsöffnung	415 mm



2.3 ORIGINAL-INSTALLATIONSSETS FÜR IHRE CINDERELLA-TOILETTE

Original-Cinderella-Installationsset: Wir empfehlen dringend, für die Installation Ihrer Toilette das „Original-Cinderella-Installationsset“ zu verwenden. Dieses Set enthält alle notwendigen Teile für eine bestmögliche Installation und optimiert den Verbrennungsvorgang und die Funktion Ihrer Toilette. Das Installationsset besteht aus zwei Kartons. Karton Nr. 1 enthält einen optimierten Dachaufsatz und Bogen, um die Durchflussrate des Systems und die Effizienz der Verbrennung zu erhöhen, sowie einen 201 cm² großen Lufteinlass mit speziellem Design für eine optimale Funktion. Außerdem enthält das Set Schellen für die Installation der Entlüftungsrohre. Karton Nr. 2 enthält 7 UV-beständige 110-mm-Rohre in PP-Qualität für die Installation der Entlüftung.



ORIGINAL-CINDERELLA-INSTALLATIONSSSET	MENGE
1 Entlüftungsrohr mit Steckmuffe 1.066 mm	5
2 Entlüftungsrohr ohne Steckmuffe 500 mm	2

ORIGINAL-CINDERELLA-INSTALLATIONSSSET	MENGE
1 Lufteinlass, 160 mm (201 cm ²)	1
2 Halterungsschelle	3
3 Wandhalterungsstange	3
4 Bogen, 87° mit Ablauf	1
5 Dachaufsatz	1
6 Gasdruckregler-Set*	1
7 Gewindestange, 30 mm	3

*nur in Schweden und Norwegen



HINWEIS!

- In diesem Handbuch wird näher erläutert und gezeigt, wie Sie Ihre Toilette mithilfe der im Original-Cinderella-Installationsset enthaltenen Teile optimal installieren. Sollten Sie Ihre Cinderella-Toilette mit anderen als den Original-Rohren und -Teilen installieren wollen, achten Sie bitte darauf, dass die von Ihnen verwendeten Teile die in Abschnitt 2.4.1 „Spezifikationen für Teile und Materialien“ beschriebenen Spezifikationen erfüllen.
- Um die einwandfreie Funktion Ihrer Cinderella-Verbrennungstoilette zu gewährleisten, muss unbedingt für eine ordnungsgemäße Be- und Entlüftung entsprechend den Anweisungen in diesem Handbuch gesorgt werden. Weicht die Installation von den Spezifikationen des Herstellers ab oder werden bei der Installation der Toilette nicht autorisierte Teile verwendet, sind Fehlfunktionen, Verschleiß oder Gerüche die Folge und die Garantie erlischt.

2.4 INSTALLATIONSSPEZIFIKATIONEN

2.4.1 SPEZIFIKATIONEN FÜR TEILE UND MATERIALIEN

ARTIKEL	SPEZIFIKATIONEN
Lüftungsrohre	Cinderella Freedom muss mit 110-mm-Rohren mit glatter Innenoberfläche und einem Mindestinnendurchmesser von 102 mm installiert werden. Das Rohrmaterial muss für Temperaturen über 100 °C ausgelegt sein und vorzugsweise aus PP oder CPVC bestehen. Wir empfehlen dringend, die Original-Cinderella-Rohre in PP-Qualität zu verwenden.
Bogen (Abluft)	Cinderella Freedom muss mit einem glatten Bogen installiert werden, der den Luftstrom so wenig wie möglich behindert. Wir empfehlen dringend, den Original-Cinderella-Bogen, 87° mit Ablauf zu verwenden.
Dachaufsatz	Cinderella Freedom muss mit einem Dachaufsatz installiert werden, der das Eindringen von Regenwasser verhindert und den Luftstrom so wenig wie möglich behindert. Windräder oder ähnliche Komponenten dürfen an der Entlüftung der Cinderella-Verbrennungstoilette nicht angebracht werden. Wir empfehlen dringend, den Original-Cinderella-Dachaufsatz zu verwenden.



HINWEIS!

- Das Innere des Entlüftungsrohrs muss glatt und frei von Prägungen oder Kerben sein.
- Bringen Sie niemals Netze im Entlüftungsrohr an, da diese den Luftstrom im System behindern können.
- Der Bogen muss im installierten Zustand zugänglich sein, damit das Abflussrohr gespült und das Entlüftungsrohr gereinigt werden kann.
- Cinderella Freedom ist für die Anwendung in Badezimmern/Nasszellen zugelassen (Schutzart IP 34), es darf jedoch kein Wasser auf die äußeren Teile der Toilette gespritzt werden.
- Die Toilette muss auf einem festen, ebenen Untergrund aufgestellt werden. Die Installation der Cinderella-Toilette auf einem beheizten Fußboden ist möglich.

2.5 INSTALLATION DER CINDERELLA-VERBRENNUNGSTOILETTE

Um die einwandfreie Funktion Ihrer neuen Cinderella-Toilette zu gewährleisten, muss unbedingt für eine ordnungsgemäße Be- und Entlüftung entsprechend den Anweisungen in diesem Handbuch gesorgt werden. Unsachgemäße Installation kann zu Fehlfunktionen, Verschleiß oder Gerüchen führen und hat den Verlust der Garantie zur Folge. Lesen Sie sich alle Abschnitte sorgfältig durch, bevor Sie mit der Installation der Toilette beginnen. Stellen Sie stets sicher, dass die Arbeiten von Fachpersonal entsprechend den lokalen Vorschriften durchgeführt werden.



ACHTUNG!

- Bei der Installation der Toilette sind die technischen und administrativen Regelungen des Landes zu beachten, in dem sie installiert wird. Wir empfehlen Ihnen, sich an Ihren Händler vor Ort zu wenden, um Unterstützung bei der Planung und Installation Ihrer Cinderella-Toilette zu erhalten.
- Verwenden Sie zusätzlich zum Bogen niemals weitere Winkelstücke.
- Wenn das Rohr durch die Dachfläche geführt wird, stellen Sie sicher, dass die Bauvorschriften eingehalten werden.
- Verwenden Sie zur Installation der Cinderella-Toilette keine flexiblen Leitungen oder Rohre.
- Schließen Sie nie mehr als eine Toilette an das Entlüftungsrohr an.

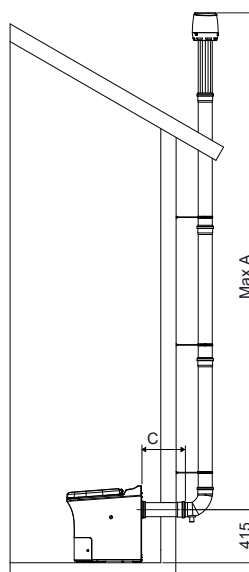
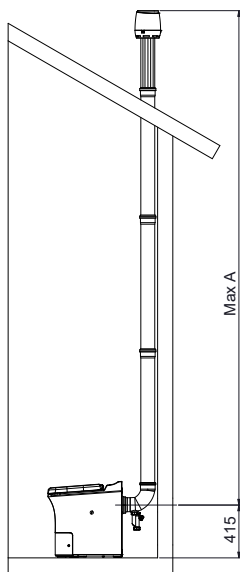


WARNUNG!

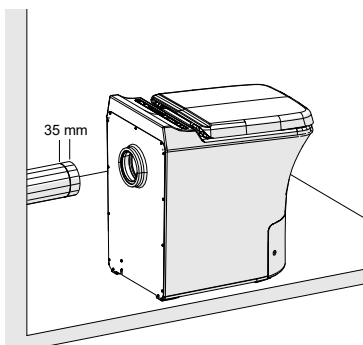
Vergewissern Sie sich vor dem Bohren von Löchern stets, dass Sie dabei keine Stromkabel oder Wasserrohre beschädigen.

2.5.1 INSTALLATION DER ENTLÜFTUNGSROHRE

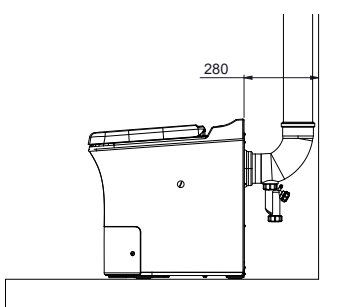
DURCHMESSER ENTLÜFTUNGSROHR	RICHTUNG ENTLÜFTUNGSROHR	REFERENZ	BOGEN	MAXIMALE ROHRLÄNGE
110 mm	Horizontales Entlüftungsrohr	C	(Nicht zulässig)	1,0 m
110 mm	Vertikales Entlüftungsrohr	A	Keine	5,0 m



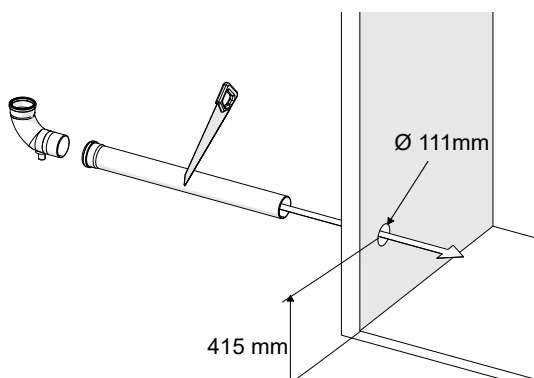
HINWEIS!
Der Mittelpunkt der Entlüftungsöffnung der Toilette befindet sich 415 mm über dem Niveau des Bodens.



HINWEIS!
Bitte beachten Sie beim Kürzen des Rohres, dass das Rohr 35 mm in die Entlüftungsöffnung der Toilette eingeführt wird. Dies muss bei der Planung der Installation eingerechnet werden.



HINWEIS!
Wenn Sie das vertikale Rohr direkt von der Toilette nach oben führen wollen, beachten Sie bitte, dass ein Mindestabstand von 280 mm zwischen Wand und Toilette eingehalten werden muss.

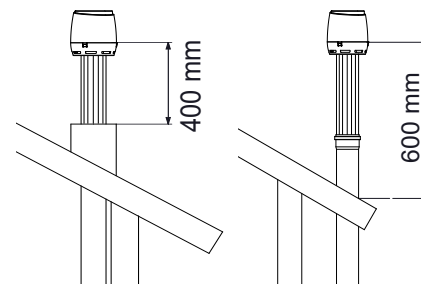


HINWEIS!
Das Original-Cinderella-Installationsset enthält 5 Rohre mit einer Länge von 1.066 mm für die Installation der Entlüftungsrohre. Die Rohre werden mit Steckmuffe und Dichtung bereitgestellt, um eine einfache Installation zu gewährleisten. Wenn Sie das Rohr durch eine Außenwand führen möchten, müssen Sie das Rohr von außen nach innen einführen.



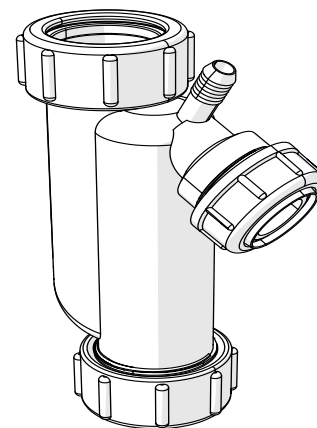
HINWEIS!

- Über dem Dach muss das Rohr stets vertikal installiert werden und mindestens 600 mm über die Dachfläche hinausragen. Wenn das Entlüftungsrohr verkleidet werden soll (z. B. mit Metallplatten), achten Sie bitte darauf, dass das Ende des Rohres mindestens 400 mm über die Verkleidung hinausragt.
- Bei Installation an Orten, an denen mit größeren Schneemengen zu rechnen ist, muss das Rohr eventuell weiter hinausragen und entsprechend gesichert werden. Achten Sie jedoch darauf, die maximal zulässige Rohrlänge nicht zu überschreiten.



HINWEIS!

Cinderella stellt einen speziell angefertigten „Siphon“ (Kondenswassersammler) zur Verfügung, der auf den im Installationsset enthaltenen Bogen passt. Dieser Artikel ist bei jedem Cinderella-Händler als Zubehörteil erhältlich. Wenn die Installation im Innenbereich erfolgt, müssen Sie den Siphon an den Bogen anschließen, um zu verhindern, dass Kondens- und Regenwasser auf den Boden läuft. Wird das Kondenswasser nicht aufgefangen und der Siphon nicht regelmäßig entleert, kann es zu Beschädigungen des Bodens kommen.



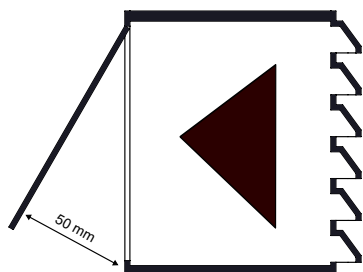
2.5.2 LUFTEINLASS

Um eine ausreichende Luftzirkulation und Sauerstoffversorgung für eine ordnungsgemäße Verbrennung sicherzustellen, muss ein den Herstellerspezifikationen entsprechender Lufteinlass installiert werden. Das Original-Cinderella-Installationsset enthält einen speziellen Lufteinlass, der durch sein Design einen optimalen Luftstrom und eine höhere Produkteffizienz gewährleistet. Der Lufteinlass sollte am besten so nah an der Cinderella-Toilette wie möglich installiert werden, um für eine gute Luftzufuhr zur Toilette zu sorgen und die Auswirkungen auf das Raumklima zu minimieren. Es ist wichtig, dass gleichzeitig mit der Toilette keine anderen Einrichtungen verwendet werden, die Luft verbrauchen, z. B. ein Lüfter oder ein Kamin. Die Cinderella-Freedom-Toilette zieht die Luft hauptsächlich auf der Unterseite der Toilette ein. Der Lufteinlass kann somit unter der Toilette installiert werden. Dadurch gelangt die Luft so direkt wie möglich in die Toilette und die Auswirkungen auf das Raumklima werden minimiert.



HINWEIS!

- Der Lufteinlass muss mindestens 160 mm (Durchmesser) bzw. 201 cm² groß sein.
- Der Lufteinlass muss stets offen sein, wenn die Toilette in Betrieb ist. Denken Sie daran, den Lufteinlass regelmäßig zu reinigen.
- Achten Sie darauf, dass die Luftversorgung der Toilette nicht mit anderen Einrichtungen wie einem Kamin oder einem Lüfter konkurriert.
- Nutzen Sie bei Verwendung der Cinderella-Freedom-Toilette keinen separaten Lüfter oder Ähnliches, um Luft aus dem Raum zu leiten, in dem die Toilette installiert ist.
- Wenn Sie einen offenen Lufteinlass unterhalb der Toilette installiert haben, kann es ratsam sein, die Öffnung mit einem Netz abzudecken, damit keine Insekten oder Schädlinge in die Toilette gelangen können. Achten Sie darauf, dass das Netz nicht zu engmaschig ist. Die Maschen sollten mindestens 5 mm groß sein, da ein feineres Netz den Luftstrom behindert.



HINWEIS!

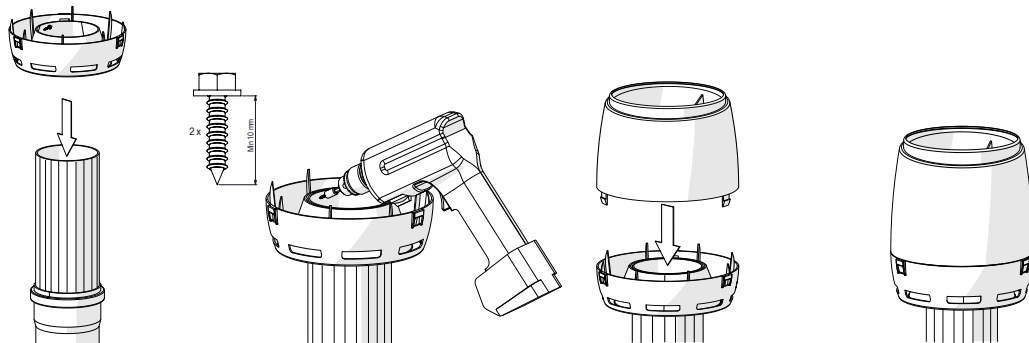
Wenn der installierte Lufteinlass über eine einstellbare Öffnung verfügt, sorgen Sie bitte stets dafür, dass diese mindestens 75 mm (zwei Rasten) offensteht, wenn die Toilette in Betrieb ist.

2.5.3 INSTALLATION DES ORIGINAL-CINDERELLA-DACHAUFSATZES



HINWEIS!

Das Original-Cinderella-Installationsset enthält einen Dachaufsatz, der durch sein Design für einen optimalen Luftstrom und eine erhöhte Produkteffizienz sorgt. Der Aufsatz besteht aus zwei Teilen. Die Basis kann mit rostfreien Schrauben oder Klebstoff an das Rohr angebracht werden, um ein einfaches Verbinden und Entfernen des Aufsatzes zur Wartung des Entlüftungsrohrs zu ermöglichen. Verwenden Sie das im Cinderella-Installationsset enthaltene 500-mm-Rohr für den letzten Abschnitt des Entlüftungsrohrs. Dieses passt zum Verbindungsstück des Dachaufsatzes.



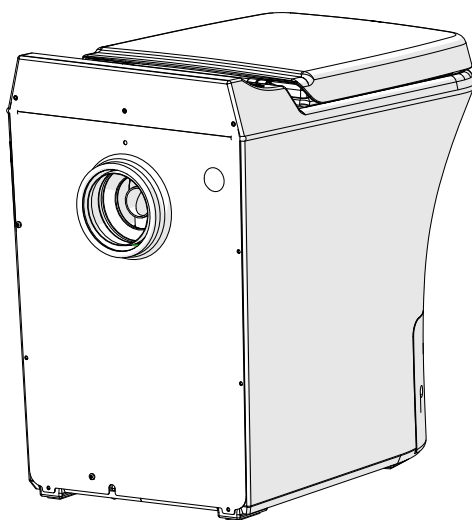
2.5.4 GASINSTALLATION

Sorgen Sie beim Gasanschluss der Toilette dafür, dass Sie den für Ihre Region richtigen Gasdruckregler verwenden. Die Toilette verfügt über einen ¼"-NTP-Anschluss.



WARNUNG!

- Betreiben Sie die Toilette nur mit dem Druck, der auf dem Typenschild auf der Rückseite der Toilette angegeben ist.
- Betreiben Sie die Toilette nur mit der Art von Gas, die auf dem Typenschild auf der Rückseite der Toilette angegeben ist.
- Die Toilette eignet sich nur für die Installation im Innenbereich.



SPEZIFIKATIONEN	WERT	ANMERKUNGEN
Brennstoffverbrauch	160-190 g	Pro Verbrennung
Eingangsgasdruck	30 mbar	
Gasart	LPG	
Gasanschluss Toilette	G ¼" LH	
Größe der Öffnung	1 mm	

2.6 ELEKTRISCHE SPEZIFIKATIONEN UND ANFORDERUNGEN

Die Toilette muss über einen eigenen geerdeten Stromkreis, der durch einen adäquat bemessenen Schutzschalter gesichert ist, mit der korrekten Spannung, Frequenz und Stromstärke versorgt werden. Die richtige Spannung, Frequenz und Stromstärke sind in diesem Handbuch und auf dem Typenschild auf der Rückseite der Toilette angegeben. Bitte beachten Sie: Diese Toilette benötigt eine DC-Stromversorgung mit 12 V und 4 A. Wenn Sie die Toilette über eine 240-V-AC-Steckdose betreiben müssen, bestellen Sie das zulässige Netzteil bitte bei Ihrem Händler.

Anschlusswerte	EINGANG	STROM	SICHERUNG
	12 V DC (11–14,4 V)	4 A	10 A
Energieverbrauch	RUHEMODUS	STANDBY-MODUS	VERBRENNUNGSMODUS
	0,005 A	0,09 A	1,3 A
Anschlusspolarität	QUERSCHNITT	PLUS	MINUS
	2 mm ²	Rot	Schwarz

In Caravans dürfen die jeweiligen Minus- und Plusleitungen des DC-Anschlusses nicht miteinander verbunden werden, da dies elektrische Störungen und Schäden an elektrischen Bauteilen verursachen kann. Die 12-V-Versorgung muss in einem eigenen Stromkreis direkt an die Batterie angeschlossen und am Eingang des Stromkreises eine 10-A-Sicherung installiert werden. Verwenden Sie die 12-V-Verkabelungshilfe, um je nach Länge des Kabels die korrekte Kabelgröße zu berechnen.

12-V-VERKABELUNGSHILFE						
Ampere	1 m	2 m	5 m	6 m	8 m	10 m
4	2 mm ²	2 mm ²	2 mm ²	4 mm ²	4 mm ²	4 mm ²

Beachten Sie beim Anschluss der Toilette an DC-Netzstrom bitte Folgendes:

- Sorgen Sie dafür, dass das Kabel über eine ausreichende Strombelastbarkeit für die zu erwartende Last im Stromkreis einschließlich einer Sicherheitsmarge verfügt.
- Stellen Sie sicher, dass der Kabelquerschnitt für die vorgesehene Länge des Kabels adäquat bemessen ist und dass das Kabel nicht zu einem Spannungsabfall führen wird.
- Überprüfen Sie vor dem Anschluss stets die Polarität der Kabel. Verpolungen sind nicht von der Garantie gedeckt.



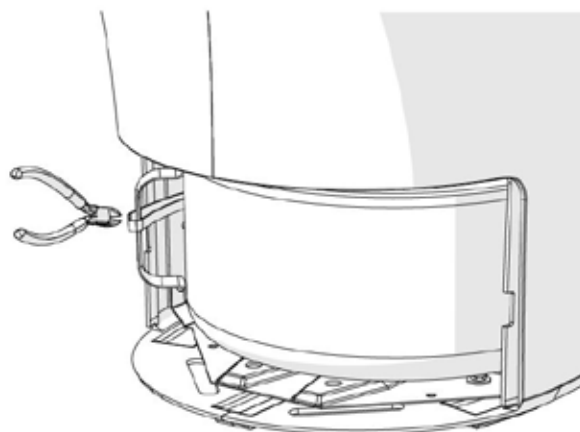
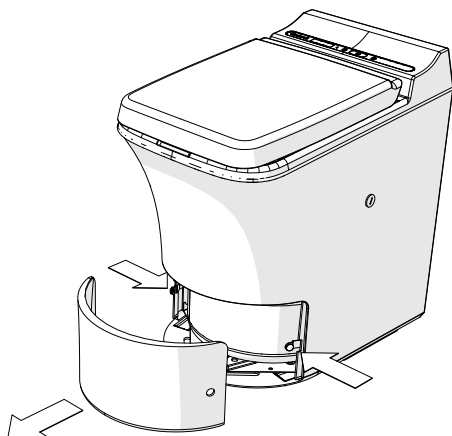
HINWEIS!

- Das Anschlusskabel muss so gelegt werden, dass es nicht mit scharfen Kanten in Kontakt kommt.
- Änderungen an der internen Elektroinstallation oder dem Anschlusskabel müssen von professionellem Fachpersonal oder ähnlich qualifizierten Personen vorgenommen werden, um Sicherheitsrisiken zu vermeiden.

2.7 ENTFERNEN DER TRANSPORTSICHERUNG

Der Aschebehälter ist mit einem Band gesichert, das vor dem Gebrauch entfernt werden muss:

1. Nehmen Sie die Frontabdeckung ab.
2. Schneiden Sie die Kunststoffbänder durch, mit denen der Aschebehälter am Stahlrahmen befestigt ist, und entfernen Sie sie.



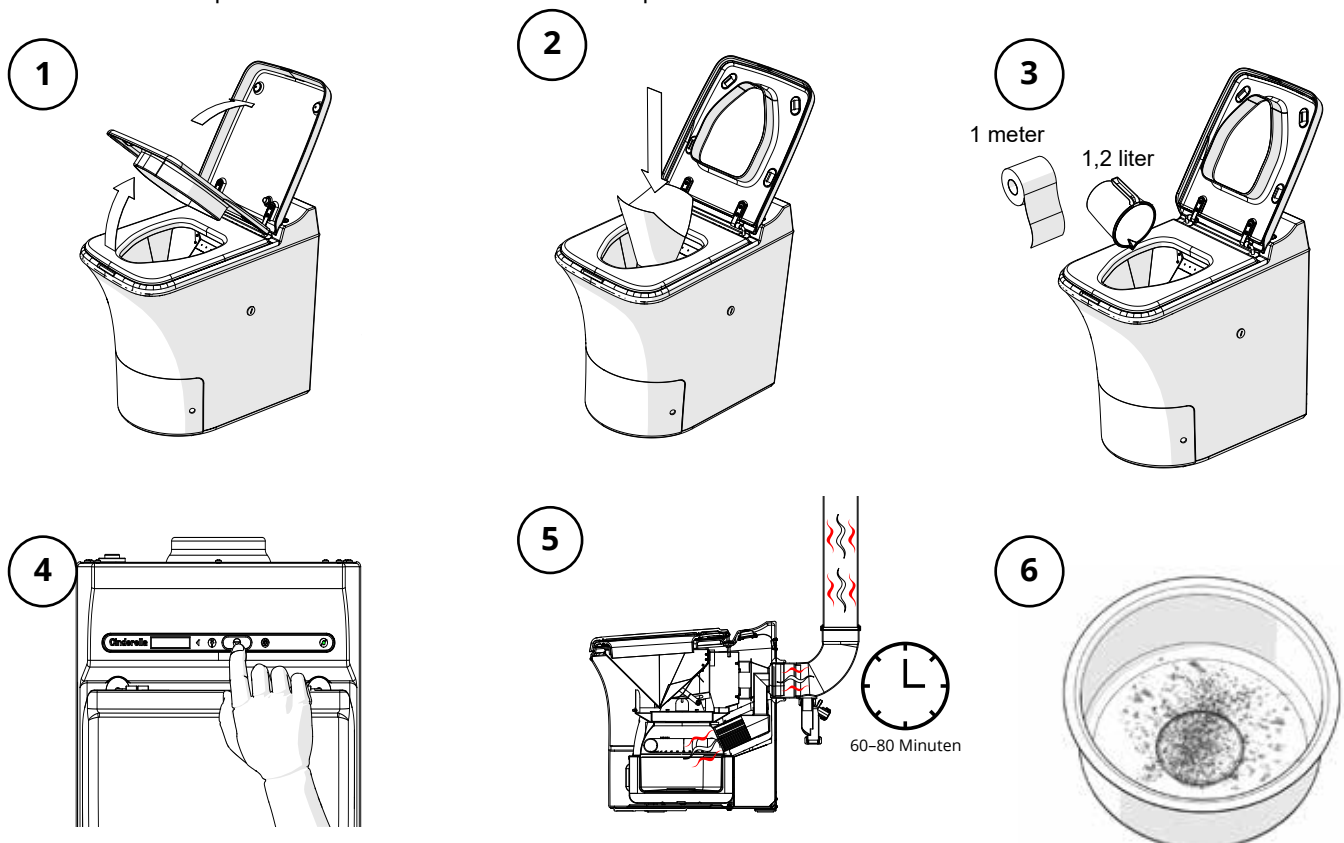
2.8 CHECKLISTE ZUR ÜBERPRÜFUNG DER FERTIGEN INSTALLATION

ZU KONTROLLIERENDE PUNKTE	ERFÜLLT
Die angeschlossene Spannung entspricht dem Typenschild.	
Der angeschlossene Gasdruck entspricht dem Typenschild.	
Die Toilette ist entsprechend den Spezifikationen des Herstellers installiert.	
Das Entlüftungsrohr ist entsprechend den Spezifikationen des Herstellers installiert.	
Das Ende des Entlüftungsrohrs ragt mindestens 600 mm über die Dachfläche hinaus.	
Der „Siphon“ (Kondenswassersammler) zum sicheren Auffangen von Kondenswasser ist angeschlossen (sofern mit der Bildung von Kondenswasser zu rechnen ist).	
Die Komponenten des Entlüftungsrohrs sind entsprechend den Spezifikationen des Herstellers installiert.	
Der Dachaufsatz ist entsprechend den Spezifikationen des Herstellers installiert.	
Die Belüftung ist entsprechend den Spezifikationen des Herstellers installiert.	

2.9 LEISTUNGSTEST ZUR ÜBERPRÜFUNG DER FUNKTION DES SYSTEMS

Durch Drücken der „Start“-Taste wird der Verbrennungsvorgang gestartet. Bei diesem Leistungstest dauert der Verbrennungsvorgang ca. 60–80 Minuten. Während der Verbrennung leuchtet die gelbe Lampe. Der gesamte Test sollte ohne Fehleranzeigen oder Unterbrechungen des Systems abgeschlossen werden. Bevor der Aschebehälter herausgenommen werden kann, muss die Toilette so weit abgekühlt sein, dass sich der Lüfter ausgeschaltet hat. Die Kühlungsphase kann je nach Umgebungstemperatur 60–90 Minuten dauern.

Als Endprodukt sollte lediglich feiner weißer Staub zurückbleiben. Sollte das Endprodukt anders aussehen oder der Verbrennungsvorgang länger als 90 Minuten dauern, kann dies auf eine eingeschränkte Entlüftung oder einen Mangel an Sauerstoff hindeuten. Überprüfen Sie, ob die Installation den in Abschnitt 2 dieses Handbuchs beschriebenen Spezifikationen des Herstellers entspricht.



WARNUNG!

Der Aschebehälter wird während der Verbrennung sehr heiß. Nehmen Sie die Frontabdeckung erst ab, wenn die Toilette völlig abgekühlt ist und sich der Lüfter ausgeschaltet hat.



HINWEIS!

- Es ist vorgesehen, dass der Leistungstest an der noch nicht benutzten Toilette durchgeführt wird. Wird der Test an benutzten Toiletten durchgeführt, können die Ergebnisse abweichen.

3. BEDIENUNG

3.1 VERWENDUNGSZWECK UND HANDHABUNG

Die Cinderella-Freedom-Toilette ist für die Installation in Innenräumen und die Verwendung im Freizeitbereich bestimmt, z. B. in Ferienhütten, Gartenhäusern, Außentoiletten, Containergebäuden, Bootshäusern und Poolhäusern. Die Toilette ist ausschließlich für die Verbrennung von Ausscheidungsprodukten und kleinen Hygieneartikeln wie Toilettenpapier, Binden und Feuchttüchern ohne Alkohol bestimmt. Die Nutzung von Cinderella Freedom zur Verbrennung anderer Gegenstände stellt eine missbräuchliche Verwendung dar und führt zum Erlöschen Ihrer Garantie.

Die folgenden Gegenstände dürfen nicht in die Toilette gegeben werden:

- Übermäßige Mengen an Papier jeglicher Art
- Reinigungsmittel auf Chlorbasis
- Feuchttücher mit Alkohol
- Zeitungspapier
- Papierhandtücher
- Entzündliche Flüssigkeiten oder Materialien
- Feuerzeuge
- Zigaretten oder Zigarren
- Benzin
- Alkoholische Getränke oder Spirituosen
- Alkohol oder Desinfektionsmittel auf Alkoholbasis
- Nagellackentferner
- Feuerzeugbenzin
- Lampenöl/Kerosin
- Aerosolbehälter
- Glas- oder Plastikflaschen oder -behälter usw.

3.2 ALLGEMEINE SICHERHEIT



GEFAHR!

- Benutzen Sie die Verbrennungstoilette nicht, wenn sie sichtbar beschädigt ist.
- Falls das Stromkabel der Toilette beschädigt ist, muss es vom Hersteller, dem Kundendienst oder einer ähnlich qualifizierten Person ausgetauscht werden, um Sicherheitsrisiken zu beseitigen.
- Die Verbrennungstoilette darf nur von qualifiziertem Personal repariert werden. Unbefugte Reparaturen können zu erheblichen Gefahren oder Beschädigungen der Toilette führen.
- Die Reinigung und benutzerseitige Wartung dürfen nicht von Kindern ohne Aufsicht durchgeführt werden.
- Verwenden Sie zur Pflege der Toilette keine explosiven Stoffe oder entzündlichen Reinigungsmittel.

3.3 SICHERHEIT BEIM UMGANG MIT GAS



GEFAHR!

- Verwenden Sie niemals offenes Feuer, um gasführende Teile oder Leitungen auf Lecks zu kontrollieren. Es besteht Brand- und Explosionsgefahr!
- Bei Gasgeruch:
 - Schließen Sie den Gasabsperrhahn und das Ventil der Gasflasche.
 - Öffnen Sie alle Fenster und verlassen Sie den Raum.
 - Betätigen Sie keine elektrischen Schalter (weder an- noch ausschalten).
 - Löschen Sie ggf. offenes Feuer.
 - Lassen Sie das Gassystem von Fachpersonal überprüfen.

3.4 SICHERER BETRIEB



WARNUNG!

- Der Aschebehälter der Toilette wird während des Gebrauchs der Toilette sehr heiß. Sorgen Sie dafür, dass während des Gebrauchs der Toilette die Sicherheitsabdeckung angebracht ist. Entleeren Sie den Aschebehälter erst, wenn die Toilette völlig abgekühlt ist.
- Der Toilettensitz verfügt nicht über eine Absenkautomatik. Achten Sie darauf, Ihre Hände oder Finger beim Schließen von Sitz oder Deckel nicht zu quetschen.

3.5 SICHERHEITSMERKMALE VON CINDERELLA FREEDOM

- Der Verbrennungsvorgang ist unterbrochen, wenn der Toilettendeckel offen steht. Die Verbrennung beginnt erst, wenn Sitz und Deckel geschlossen sind.
- Die Klappe zur Brennkammer kann NICHT geöffnet bleiben, wenn die Toilette noch heiß ist (z. B. zur Reinigung). Dies ist nur möglich, wenn die Toilette abgekühlt ist und sich der Lüfter ausgeschaltet hat.

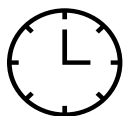
- Sollte ein Entlüftungsproblem auftreten und die Temperatur im Inneren der Toilette auf mehr als 105 °C ansteigen, wird die Verbrennung unterbrochen und eine Warnmeldung angezeigt. In diesem Fall ist ein manuelles Zurücksetzen erforderlich, um sicherzustellen, dass das Entlüftungsproblem vor dem nächsten Gebrauch gelöst wurde.
- Wenn der Aschebehälter nach dem Entleeren nicht korrekt eingesetzt wird, startet die Verbrennung nicht, eine Warnlampe leuchtet auf und eine Warnmeldung wird angezeigt.
- Wenn der Klappenmechanismus der Brennkammer verklemmt oder nicht richtig schließt, startet die Verbrennung nicht und eine Fehlermeldung wird angezeigt.
- Die intelligente Software von Cinderella Freedom umfasst eine Kontrollfunktion, die während des Verbrennungsvorgangs die Temperatur überwacht. Sollten Abweichungen vom normalen Temperaturbereich festgestellt werden, wird die Verbrennung umgehend gestoppt und eine Warnmeldung wird angezeigt.

3.6 WICHTIGE INFORMATIONEN FÜR DEN BENUTZER



HINWEIS!

- Denken Sie vor jeder Benutzung daran, einen neuen Beutel in die Toilette zu legen (einen Beutel pro Besuch).
- Der Toilettendeckel muss immer geschlossen sein, wenn die Toilette nicht benutzt wird. Die Verbrennung wird erst gestartet oder fortgesetzt, wenn der Deckel geschlossen ist.
- Der Verbrennungszyklus kann ab dem letzten Besuch bis zu 180 Minuten dauern.
- Der Lüfter läuft weiter, bis die Verbrennung abgeschlossen ist und die Temperatur im Inneren der Toilette wieder den Normalbereich erreicht hat. Je nach Temperatur der zur Kühlung verwendeten Luft kann die Kühlphase nach Abschluss der Verbrennung mehr als 120 Minuten dauern.
- Sie können Ihre Cinderella-Toilette während des Verbrennungs- und Kühlvorgangs jederzeit benutzen. Während der Benutzung wird die Verbrennung unterbrochen. Denken Sie daran, direkt nach jeder Benutzung den Deckel zu schließen und „Start“ zu drücken.



Kapazität: 4 Personen

Die Cinderella-Freedom-Toilette ist für bis zu vier Besuche pro Stunde ausgelegt. Um eine Überlastung zu vermeiden, werden mehr als vier Besuche pro Stunde nicht empfohlen. Eine Überlastung der Toilette durch viele Besuche innerhalb kurzer Zeit, ohne dass ein Verbrennungszyklus abgeschlossen werden kann, kann zu Gerüchen, zum Austritt von Flüssigkeit und zu einer Beschädigung der Toilette führen.



Entleerungshäufigkeit

Der Abfallbehälter des Systems hat ein Gesamtfassungsvermögen von 5 Litern Flüssigkeit. Für einen optimalen Betrieb sollte der Aschebehälter häufig (einmal pro Woche) entleert werden. Dies gewährleistet eine effizientere Verbrennung und hilft, den Katalysator sauber zu halten.

Wenn der Aschebehälter nicht entnommen wird (für die wöchentliche Entleerung), zeigt Cinderella Freedom nach 90 Verbrennungszyklen eine Meldung an, dass der Behälter entleert werden muss. Wurde er nach 120 Besuchen nicht entleert, sperrt sich die Toilette selbst, um weitere Besuche zu verhindern. Wir empfehlen, die Toilette so häufig wie möglich zu entleeren, um eine effizientere Verbrennung zu gewährleisten und den Produktverschleiß zu verringern.

Wenn der Aschebehälter nicht entleert wird, obwohl er voll ist, kann dies zu Beschädigungen der Toilette und zum Erlöschen der Garantie führen.



Vorbereitung Ihrer Toilette für eine längere Nichtbenutzung

Vor einer längeren Nichtbenutzung muss der Abfall verbrannt und der Aschebehälter entleert werden.



Kurzzeitig erhöhte Nutzung

Sollte es die Situation erfordern, dass ungewöhnlich viele Gäste die Toilette innerhalb kurzer Zeit benutzen, befolgen Sie bitte die folgenden Tipps:

1. Entleeren Sie den Aschebehälter vollständig, bevor die Gäste eintreffen.
2. Heizen Sie die Toilette vor dem Gebrauch vor, indem Sie den Deckel öffnen und schließen und dann die „Start“-Taste drücken.
3. Sorgen Sie dafür, dass die Gäste angewiesen werden, einen Toilettenbeutel zu verwenden und nach jedem Besuch die Start-Taste zu drücken.
4. Überprüfen Sie regelmäßig, ob der Toilettendeckel geschlossen ist und die gelbe Verbrennungslampe leuchtet.
5. Eventuell müssen Sie ein oder zwei zusätzliche Verbrennungszyklen durchführen, bevor Sie den Aschebehälter entleeren, um sicherzustellen, dass der gesamte Abfall verbrannt wurde.

3.7 DAS BEDIENPANEL

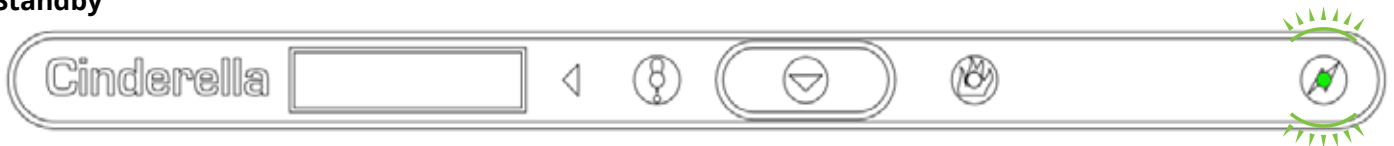
Um maximale Benutzerfreundlichkeit zu gewährleisten, verfügt das Bedienpanel über verschiedene Lampen, Tonsignale und Display-Meldungen. Eine Reihe von Licht- und Tonsignal-Kombinationen gibt dem Benutzer Auskunft über den Zustand des Systems. Es ist wichtig, dass sich alle Benutzer vor dem Gebrauch gründlich mit diesen Signalen vertraut machen. Eine Übersicht über alle Licht- und Tonsignale ist in der Tabelle zur Fehlerbehebung in Abschnitt 5.1 zu finden.



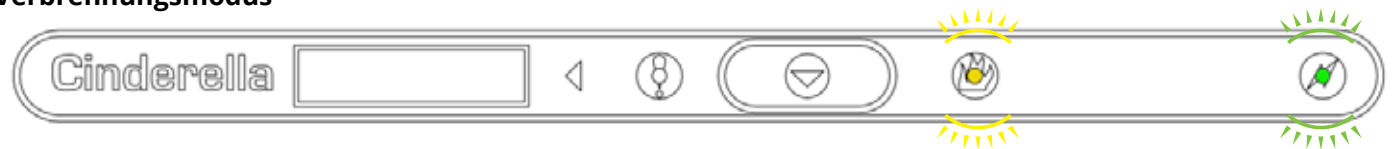
HINWEIS!

- Eine grüne Lampe zeigt an, dass die Toilette an die Stromversorgung angeschlossen ist. Wenn nur die grüne Lampe leuchtet, befindet sich die Toilette im Standby-Modus und ist einsatzbereit.
- Eine gelbe Lampe zeigt an, dass der Verbrennungsvorgang läuft. Sie leuchtet dauerhaft, wenn sich die Toilette im Verbrennungsmodus befindet.
- Eine rote Lampe zeigt eine Unterbrechung an und warnt den Benutzer, dass sich die Toilette nicht mehr im Verbrennungs- oder Standby-Modus befindet.

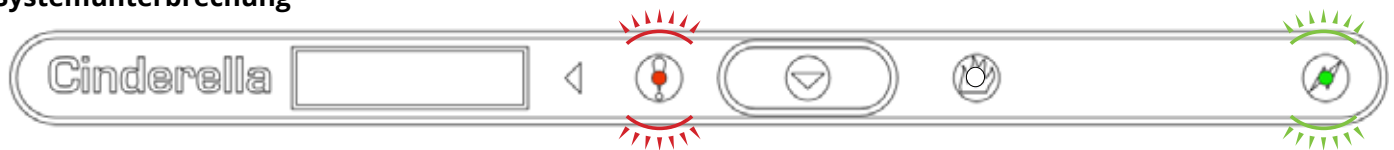
Standby



Verbrennungsmodus



Systemunterbrechung

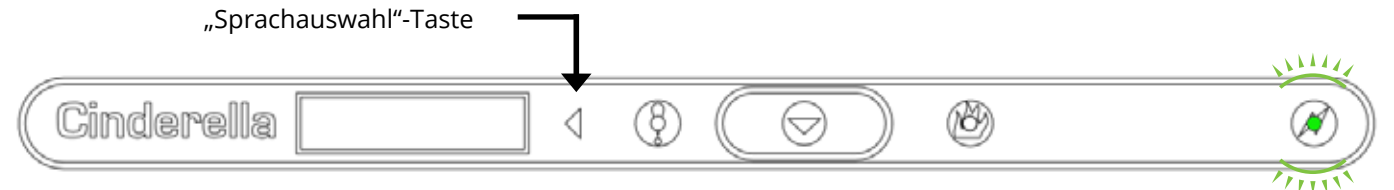


Sprachauswahl

Halten Sie die „Sprachauswahl“-Taste drei Sekunden lang gedrückt, bis in der ersten Textzeile „Sprache“ („Language“) angezeigt wird.

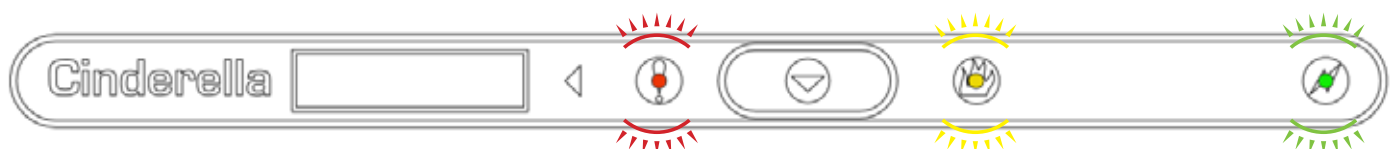
Die aktuelle Sprache wird in der zweiten Zeile angezeigt. Drücken Sie die „Sprachauswahl“-Taste mehrmals, bis die gewünschte Sprache auf dem Display angezeigt wird. Die neue Sprache wird einige Sekunden, nachdem Sie die Sprache angewählt haben, automatisch gespeichert und die Toilette kehrt in den Betriebsmodus zurück.

„Sprachauswahl“-Taste



Entleerungsanzeige

Cinderella Freedom zeigt an, wann es an der Zeit ist, den Aschebehälter zu entleeren. Auf dem Display erscheint die Meldung „ASCHEBEHÄLTER ENTLEEREN“ und Sie hören drei kurze Signaltöne, wenn der Toilettendeckel geöffnet wird. Wird der Behälter nicht innerhalb einer bestimmten Anzahl von Benutzungen geleert, sperrt sich die Toilette selbst. Dann leuchten die gelbe, die rote und die grüne Lampe dauerhaft und auf dem Display wird „GESPERRT ASCHEBEH ENTLEEREN“ angezeigt. Bis der Aschebehälter entleert wurde, ertönen alle zehn Sekunden drei kurze Signaltöne.



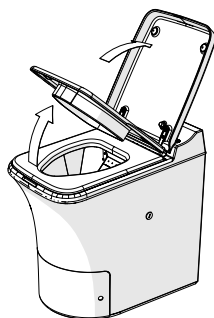
3.8 VERWENDUNG DER CINDERELLA-FREEDOM-TOILETTE

1



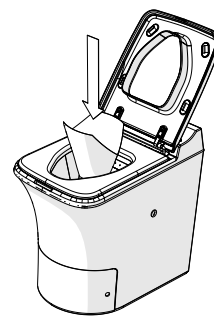
1. Überprüfen Sie, ob die grüne Lampe am Bedienpanel leuchtet. Sie zeigt an, dass die Toilette mit Strom versorgt wird und einsatzbereit ist.

2



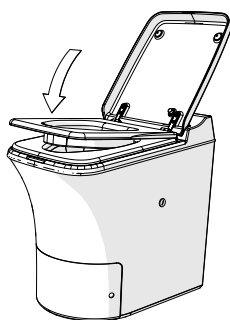
2. Klappen Sie Toilettendeckel und -sitz hoch. Eine rote Lampe beginnt zu blinken. Der Lüfter schaltet sich ein.

3



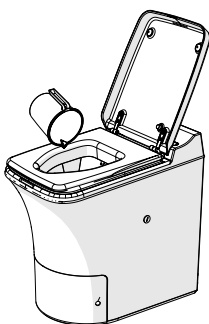
3. Legen Sie einen Toilettenbeutel in die Toilette. Verwenden Sie für jeden Toilettenbesuch einen neuen Toilettenbeutel.

4



4. Klappen Sie den Toilettensitz herunter. Die Toilette kann nun benutzt werden.

5



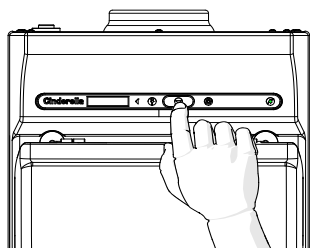
5. Benutzen Sie die Toilette wie gewohnt. Wenn nur wenig Inhalt in den Toilettenbeutel gelangt, kann es hilfreich sein, etwas Wasser nachzugießen, um den Beutel zu beschweren.

6



6. Schließen Sie den Toilettendeckel.

7



7. Drücken Sie die „Start“-Taste, um den Toilettenbeutel samt Inhalt in die Brennkammer fallen zu lassen. Der Verbrennungsvorgang beginnt, sobald die Klappe geschlossen ist. Die Toilette ist nun bereit für die nächste Benutzung.

8



8. Während des Verbrennungsvorgangs leuchtet eine gelbe Lampe. Die Toilette kann jederzeit benutzt werden. Der Verbrennungsvorgang wird dafür vorübergehend unterbrochen. Die Dauer des Verbrennungsvorgangs hängt von der Zahl der Toilettenbesuche und der Menge an Abfall ab.

3.9 UMGANG MIT DER FRONTABDECKUNG UND DEM ASCHEBEHÄLTER



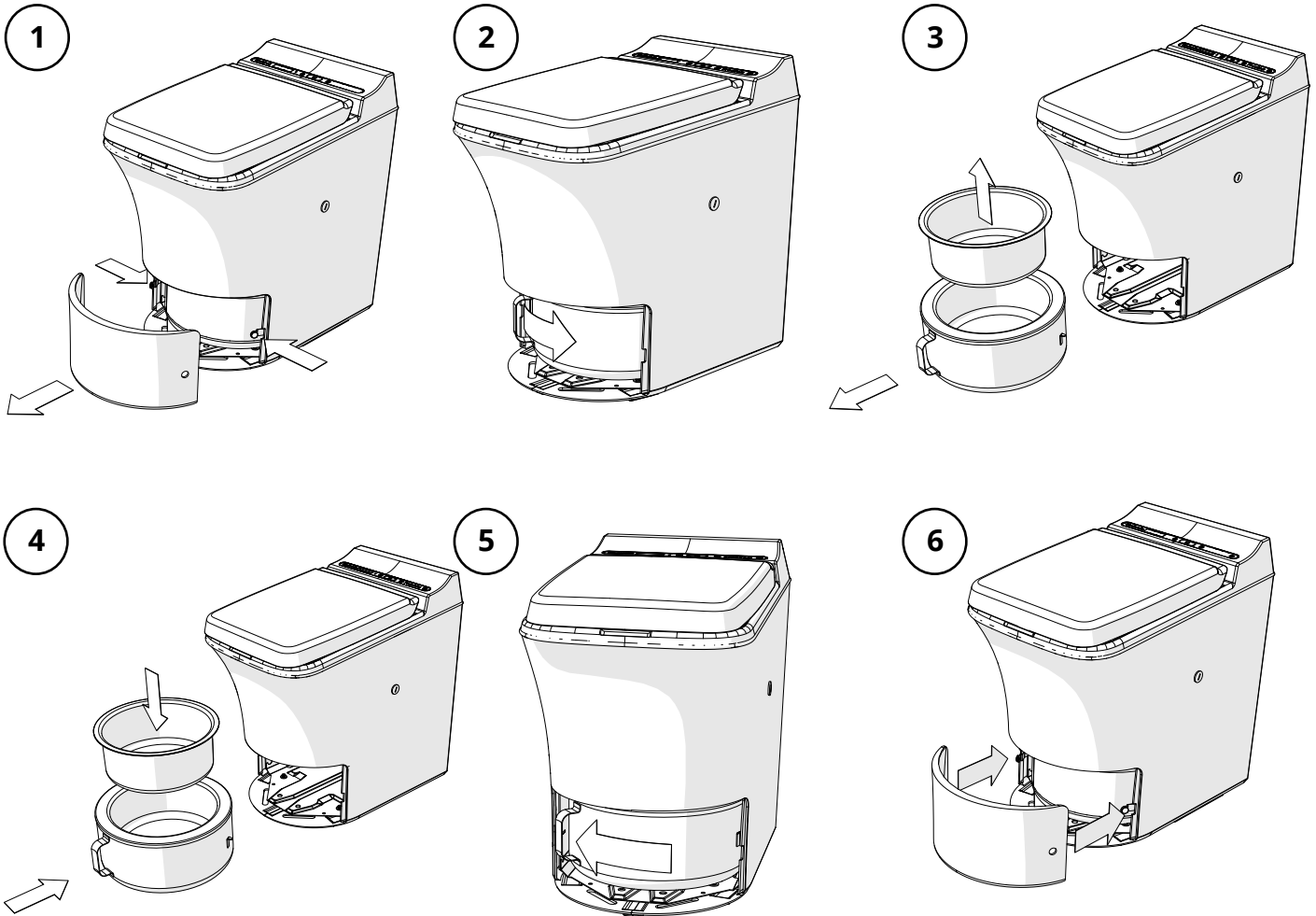
WARNUNG!

Entnehmen Sie den Aschebehälter nur, wenn die Toilette abgekühlt ist und sich im Standby-Modus befindet.



HINWEIS!

Beachten Sie zur Reinigung und Entleerung des Aschebehälters bitte die Anweisungen im Abschnitt Wartung.



4. ALLGEMEINE WARTUNGSANWEISUNGEN

Dieses Handbuch umfasst sowohl die kundenseitige Wartung als auch die Wartung, die von Fachpersonal mit der notwendigen Sachkenntnis und Befugnis durchzuführen ist.

Ein reibungslos arbeitendes Lüftungssystem ist unerlässlich, damit Ihre Toilette auf Dauer ordnungsgemäß funktioniert. Beim Verbrennungsvorgang erzeugte Partikel können den Katalysator und das Entlüftungsrohr nach und nach zusetzen. Deshalb ist es wichtig, diese Teile regelmäßig zu warten, um ihre ordnungsgemäße Funktion sicherzustellen.

Um einen optimalen Betrieb zu gewährleisten und die Nutzungsdauer Ihrer Cinderella-Freedom-Toilette zu verlängern, müssen Sie etwas Zeit für präventive Wartung einplanen. Gute routinemäßige Wartung führt zu niedrigeren Betriebskosten und weniger Produktverschleiß. Wir empfehlen unseren Kunden dringend, die Toilette regelmäßig wie folgt zu warten:

1. Entleeren Sie die Toilette häufig. Orientieren Sie sich bei Ihrer Nutzung nicht an der maximalen Kapazität der Toilette.
2. Reinigen Sie stets den Aschebehälter und setzen Sie ihn leer ein (siehe Abschnitt 4.2.1).
3. Führen Sie nach jeder Packung Toilettenbeutel (500 Benutzungen) eine Dampfreinigung durch, besser noch nach jeder Entleerung und Reinigung des Aschebehälters (siehe Abschnitt 4.2.2).
4. Achten Sie stets auf die Merkmale des Endprodukts, wenn Sie die Toilette entleeren. Sieht das Endergebnis nicht wie gewünscht aus, kann dies darauf hindeuten, dass Wartungs- oder Servicemaßnahmen nötig sind (siehe Abschnitt 4.1).

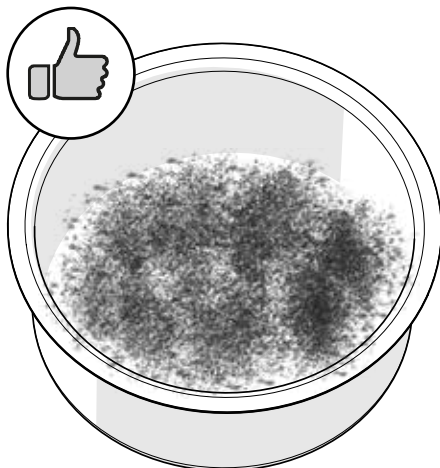


WARNUNG!

Vergewissern Sie sich vor der Wartung stets, dass sich die Toilette nicht im Verbrennungsmodus befindet und sie ausreichend abgekühlt ist.

4.1 MERKMALE DES ENDPRODUKTS

Der Restabfall bzw. die „Asche“ besteht aus pathologischen Rückständen, Salzen und Mineralien und erscheint deshalb oft hart und kristallisiert. Es sollten keine Reste von Papier oder flockigen Schichten unverbrannter Abfälle sichtbar sein. Zurückbleiben sollte eine Mischung aus weißer und dunkelgrauer Asche. Falls beim Entleeren der Toilette größere Mengen schwarzen, unverbrannten Abfalls, Feuchtigkeit oder Papier vorhanden sind, starten Sie bitte einen erneuten Verbrennungsvorgang, ohne Papier oder Wasser in die Toilette zu geben. Entleeren Sie nach Abschluss der Verbrennung den Aschebehälter und führen Sie die in diesem Handbuch beschriebenen Wartungsmaßnahmen durch.

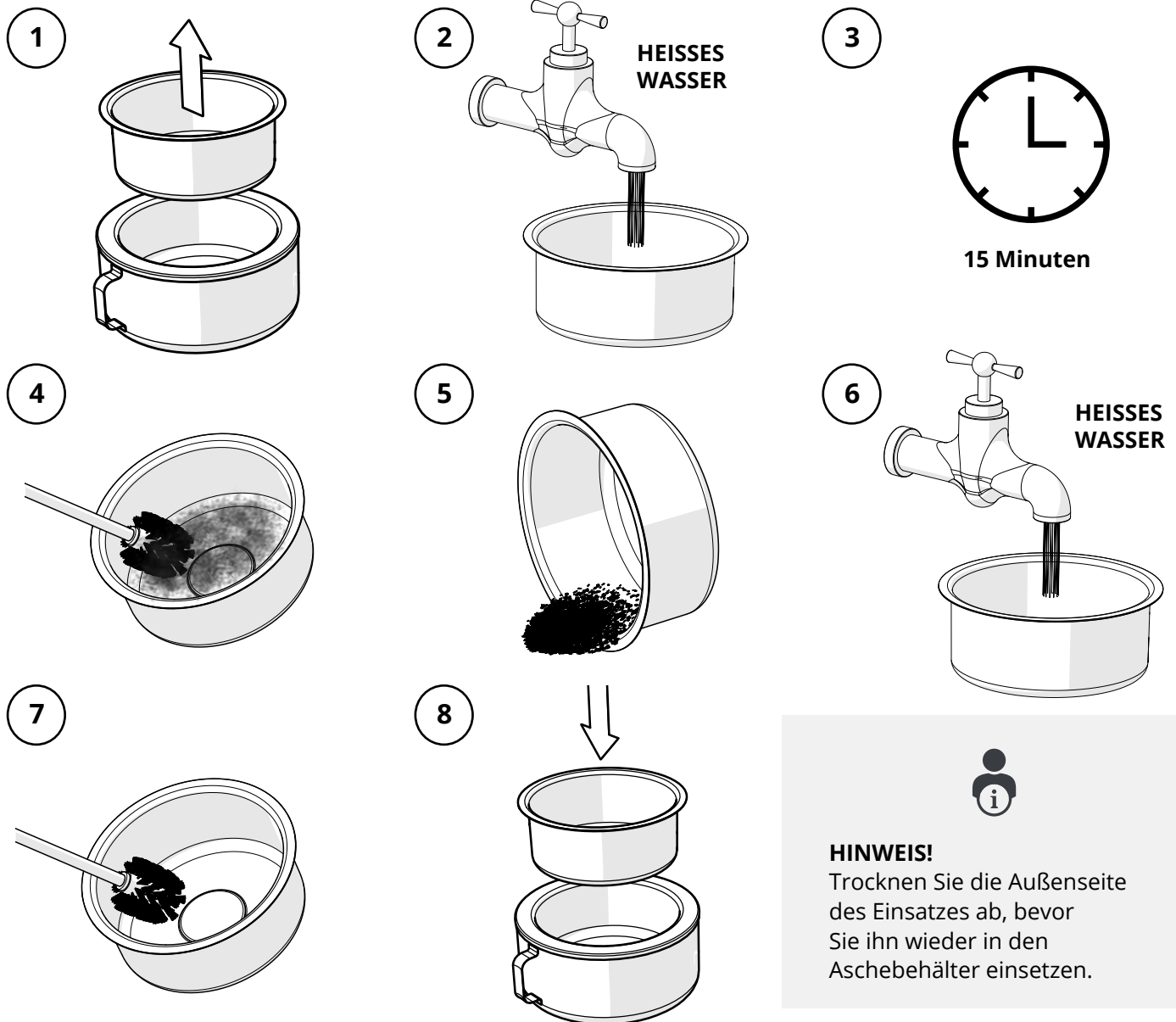


ACHTUNG!

- Die Asche eignet sich nicht als Dünger oder Kompost. Sie sollte entsprechend den geltenden Vorschriften über den Hausmüll entsorgt werden.
- Wenn die nach der Verbrennung zurückbleibende Asche eine helle Farbe hat, ist sie steril und ungefährlich in der Handhabung. Wenn die Asche schwarz und flockig ist oder der Verbrennungsvorgang nicht abgeschlossen wurde, führen Sie eine erneute Verbrennung durch, um sicherzustellen, dass die Asche vollständig verbrennt. Sollte das Problem weiter bestehen, finden Sie im Abschnitt Fehlerbehebung weitere Informationen.

4.2 KUNDENSEITIGE WARTUNG

4.2.1 ENTLERUNG UND REINIGUNG DES ASCHEBEHÄLTERS



ACHTUNG!

Verwenden Sie zur Reinigung des Aschebehältereinsatzes keine scharfen Werkzeuge oder Gegenstände, da dies dem Einsatz schadet und sich seine Nutzungsdauer dadurch verkürzt.



HINWEIS!

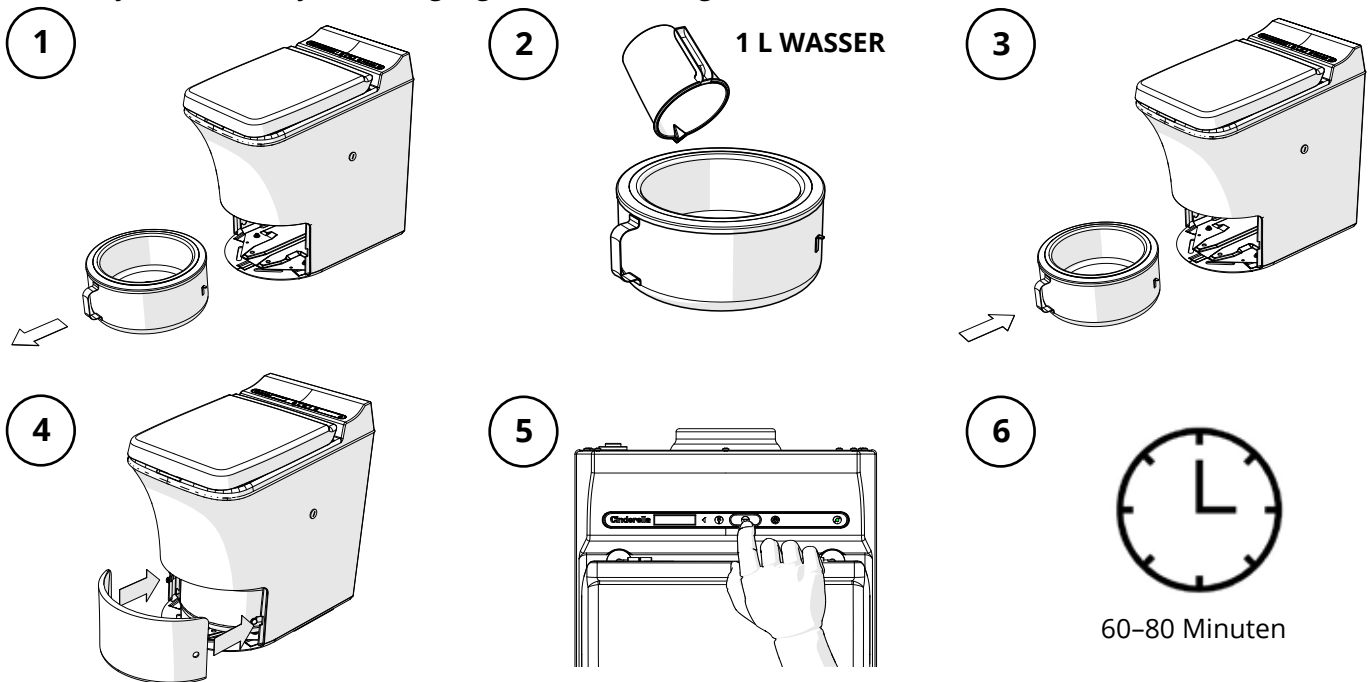
- Um die optimale Funktion Ihrer Toilette aufrechtzuerhalten, empfehlen wir, die „Dampfreinigung“ entsprechend Abschnitt 4.2.2 jedes Mal durchzuführen, wenn Sie den Aschebehältereinsatz entleeren und reinigen. Dies verhindert, dass sich im Katalysator und Entlüftungssystem der Toilette Teer und unerwünschte Ablagerungen ansammeln.
- Achten Sie darauf, dass die Toilette an das Stromnetz angeschlossen ist, wenn Sie sie entleeren. Wenn Sie die Toilette ohne Stromanschluss entleeren, kann das System den Nutzungszähler nicht zurücksetzen.

4.2.2 DAMPFREINIGUNG DES KATALYSATORS

Empfohlene Häufigkeit: bei Entleerung des Aschebehälters oder mindestens alle 500 Benutzungen. Führen Sie die Dampfreinigung wie folgt durch:

1. Vergewissern Sie sich, dass die Toilette kalt ist und der Aschebehälter entleert und gereinigt wurde (siehe Abschnitt 4.2.1).
2. Entfernen Sie die Frontabdeckung und nehmen Sie den Aschebehälter heraus.

3. Gießen Sie ca. 1 Liter sauberes Wasser in den Aschebehälterereinsatz.
4. Setzen Sie den Aschebehälter vorsichtig wieder ein, ohne Wasser zu verschütten, und bringen Sie die Frontabdeckung wieder an.
5. Klappen Sie den Toilettendeckel hoch und vergewissern Sie sich, dass der Lüfter anfängt, sich zu drehen.
6. Drücken Sie „Start“, um einen Verbrennungszyklus zu starten.
7. Das Wasser fängt daraufhin an zu kochen und der Dampf entfernt etwaige Ablagerungen aus dem Katalysator. Diese Systemreinigung dauert in der Regel 60–80 Minuten.



HINWEIS!

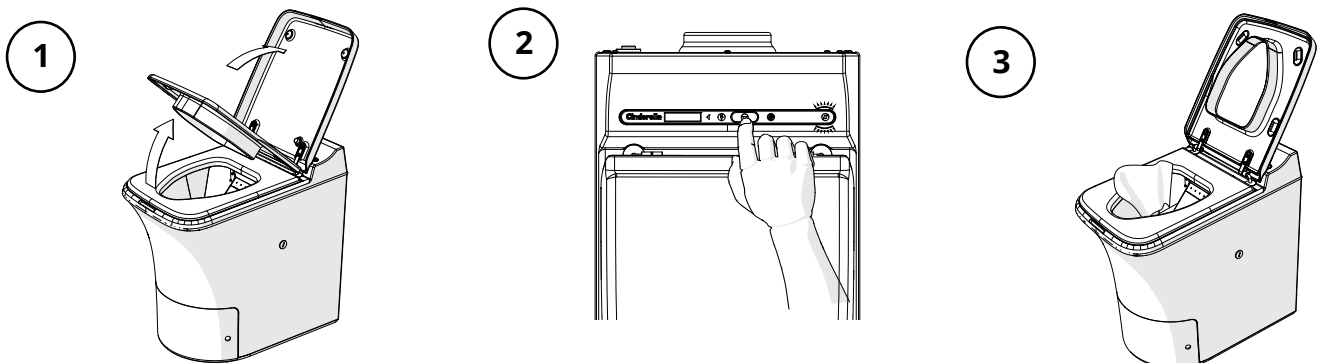
Benutzen Sie die Toilette während dieser Wartungsmaßnahme nicht, da dies die Reinigung beeinträchtigt. Die Toilette kann benutzt werden, wenn sie sich wieder im Standby-Modus befindet.

4.2.3 REINIGUNG DER TOILETTENSCHÜSSEL

Empfohlene Häufigkeit: je nach hygienischem Bedarf und bei Entleerung des Aschebehälters.

Reinigen Sie die Toilettenschüssel wie folgt:

1. Klappen Sie den Toilettendeckel hoch.
2. Halten Sie die „Start“-Taste drei Sekunden lang gedrückt, um die Klappe in die Reinigungsposition zu bringen.
3. Reinigen Sie die Toilettenschüssel nach Bedarf mit feuchtem Papier, Wasser und einem milden Reinigungsmittel. Schließen Sie den Deckel und starten Sie die Verbrennung.



GEFAHR!

Verwenden Sie zur Reinigung der Toilette keine entzündlichen Reinigungsmittel. Manche Metallkanten können scharf sein. Bevor die Toilettenschüssel gereinigt werden kann, muss die Toilette abgekühlt sein und sich im Standby-Modus befinden.



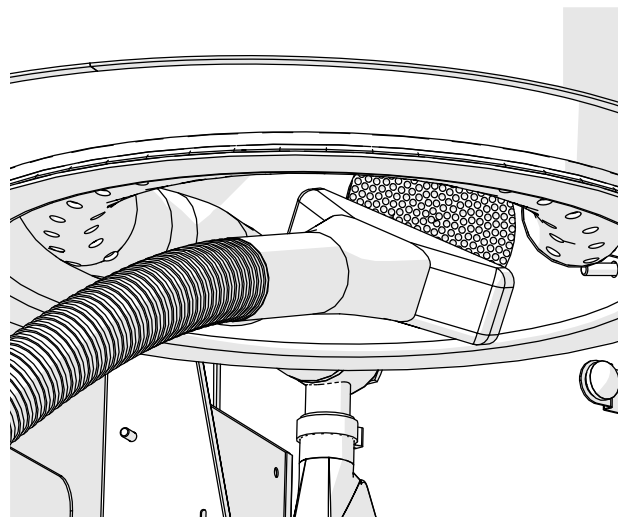
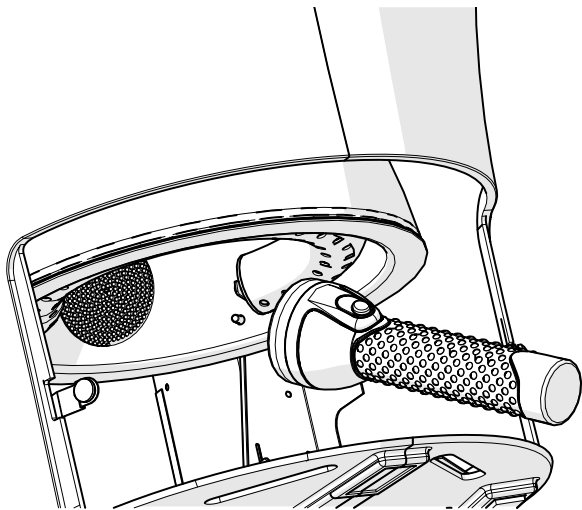
ACHTUNG!

Verwenden Sie zur Reinigung der Toilette keine Reinigungsmittel auf Chlorbasis. Chlor ist äußerst schädlich für den Katalysator. Wenn Chlor in die Toilette gegeben wird, kann dies eine Fehlfunktion des Katalysators zur Folge haben.

4.2.4 INSPEKTION UND AUSSAUGEN DES KATALYSATORS

Empfohlene Häufigkeit: alle 500 Benutzungen.

Der Katalysator fungiert als der Hauptluftkanal zwischen der Brennkammer und der Entlüftungsöffnung der Toilette. Wenn sich im Katalysator Partikel ablagern, verringert dies die Durchflussrate und die Effizienz der Toilette. Deshalb ist es wichtig, dafür zu sorgen, dass der Katalysator jederzeit offen ist. Sollten sich die Verbrennungsdauer und/oder die Verbrennungseffizienz verändern, kann dies auf einen zugesetzten Katalysator zurückzuführen sein. Die beste Methode zur einfachen Reinigung des Katalysators ist die in Abschnitt 4.2.2 beschriebene „Dampfreinigung“. Zudem können Sie die Vorderseite des Katalysators inspizieren, indem Sie den Aschebehälter entfernen und die Brennkammer von innen ausleuchten. Etwaige Partikel und Ablagerungen können mit einem Staubsauger entfernt werden.



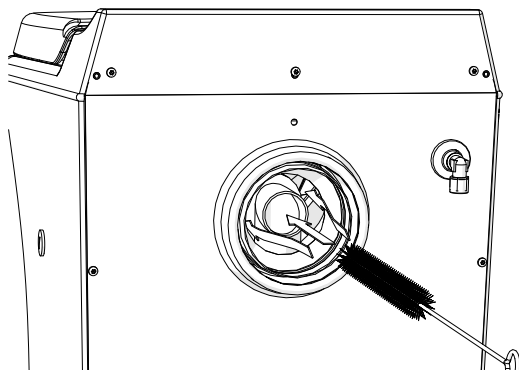
HINWEIS!

Eindeutige Anzeichen von Korrosion oder Verformung des Katalysators deuten darauf hin, dass der Katalysator ausgetauscht werden muss. Wenden Sie sich an Ihren lokalen Servicepartner, um einen Service zu vereinbaren.

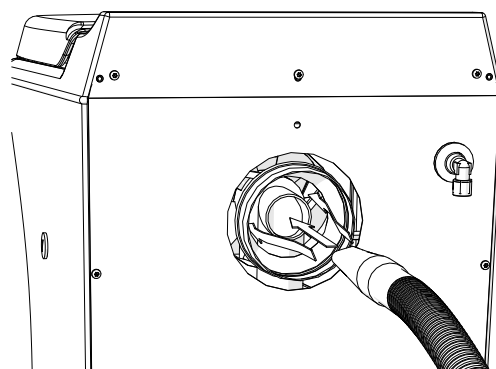
4.2.5 REINIGUNG DER ENTLÜFTUNGSÖFFNUNG DER TOILETTE

Empfohlene Häufigkeit: mindestens alle 500 Benutzungen.

1. Die Toilette muss vom Entlüftungsrohr und der Stromversorgung getrennt werden.
2. Reinigen Sie die Entlüftungsöffnung mit einer biegsamen Bürste. Es ist wichtig, dass Sie sowohl das Rohr als auch die umliegende Venturi-Düse bis ganz nach hinten zu den Lüfterflügeln reinigen, um einen ausreichenden Luftstrom zu gewährleisten.
3. Nehmen Sie den Aschebehälter heraus und befreien Sie ihn von etwaigem Schmutz.
4. Verwenden Sie einen Staubsauger, um den übrigen Schmutz im Rohr und Katalysator zu entfernen.
5. Schließen Sie die Toilette wieder an das Entlüftungsrohr und die Stromversorgung an.
6. Setzen Sie den Aschebehälter wieder ein und bringen Sie die Frontabdeckung an.
7. Es wird empfohlen, nach der Wartung der Entlüftungsöffnung eine Dampfreinigung gemäß Abschnitt 4.2.2 durchzuführen.



ROHR UND VENTURI-DÜSE REINIGEN

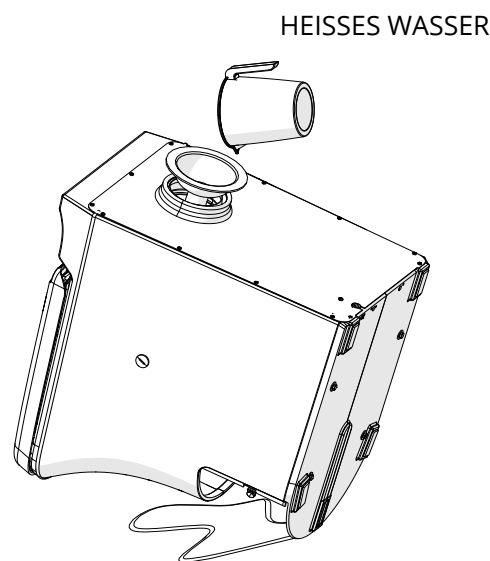


ROHR UND VENTURI-DÜSE AUSSAUGEN

4.2.6 SPÜLEN DES KATALYSATORS MIT HEISSEM WASSER

Falls sich Partikel oder schlechte Gerüche durch eine Dampfreinigung nicht beseitigen lassen, kann es erforderlich sein, den Katalysator mit Wasser zu spülen. Diese Maßnahme erfordert schweres Heben und eine Umgebung, in der ein Auslaufen von Wasser kein Problem darstellt. Führen Sie die Schritte 1 bis 4 der Maßnahme „Reinigung der Entlüftungsöffnung der Toilette“ und anschließend die folgenden Schritte durch.

1. Stellen Sie die Toilette an einen Ort, an dem ein Auslaufen von Wasser unproblematisch ist, z. B. vor einen geeigneten Abfluss, ins Freie oder in ein Bad. Verwenden Sie den speziell hierfür bestimmten Cinderella-Trichter oder einen anderen Trichter, der in die Entlüftungsöffnung passt. Kippen Sie die Toilette nach vorn und gießen Sie 2–3 Liter heißes Wasser in die Entlüftungsöffnung und den Katalysator. Am Ende des Spülvorgangs sollte das herauslaufende Wasser klar sein. Verwenden Sie bei Bedarf mehr Wasser, um das System vollständig zu reinigen.
2. Wiederholen Sie Schritt 1 vier- bis fünfmal, bis das Wasser klar ist und bei Inspektion des Katalysators keine Kristalle oder sonstigen Ablagerungen mehr zu sehen sind (siehe Abschnitt 4.2.4).
3. Schließen Sie die Toilette wieder an das Entlüftungsrohr und die Stromversorgung an.
4. Setzen Sie den Aschebehälter wieder ein und bringen Sie die Frontabdeckung an.
5. Führen Sie den in Abschnitt 2.8 beschriebenen Leistungstest durch.



HINWEIS!

Bevor Sie die Toilette vom Entlüftungsrohr und der Stromversorgung trennen und das System mit heißem Wasser spülen, sollten Sie den Katalysator inspizieren und die Dampfreinigung gemäß Abschnitt 4.2.2 durchführen. Sollte der Katalysator nach wie vor mit Partikeln zugesezt oder bei der Verbrennung Geruch zu vernehmen sein, spülen Sie das System gemäß Abschnitt 4.2.6.



ACHTUNG!

Die Vorderseite des Gehäuses ist dünn und sollte deshalb nicht mit dem gesamten Gewicht der Toilette belastet werden. Kippen Sie die Toilette vorsichtig und achten Sie darauf, die Toilette so zu positionieren, dass das Toilettengehäuse geschont wird. Es wird empfohlen, diese Maßnahme zu zweit durchzuführen: Eine Person hält die Toilette und die andere spült den Katalysator.

5. FEHLERBEHEBUNG UND HÄUFIG GESTELLTE FRAGEN



WARNUNG!

Servicearbeiten müssen gemäß den geltenden nationalen, regionalen und lokalen Gesetzen durchgeführt werden. Sollten Sie sich nicht sicher sein, welche Regelungen bei Ihnen vor Ort gelten, wenden Sie sich für weitere Informationen bitte an Ihren nächsten Fachhändler oder Servicepartner. Bei allen Service- und Wartungsarbeiten an der Toilette sollte diese vom Strom getrennt werden.

Online-Fehlersuche

Die Ton- und Lichtsignale auf dem Bedienpanel der Toilette geben Auskunft über den Betriebszustand der Toilette. Störungen und Fehlfunktionen der Toilette werden durch verschiedene Ton- und Lichtsignale angezeigt, die in Abschnitt 5.1 dieses Handbuchs beschrieben sind. Wir haben die häufigsten Fehler und Probleme in einer Online-Fehlersuche zusammengefasst, damit Sie bei Störungen Ihrer Toilette einfach Antworten auf Ihre Fragen finden und Vorschläge erhalten, wie Sie das Problem selbst lösen können.

Gasflasche leer

Wenn keine ordnungsgemäße Verbrennung mehr möglich ist und am Display ein gelbes Licht blinkt, kann dies darauf hindeuten, dass die Propangasflasche leer ist und nachgefüllt oder ausgetauscht werden muss.

Zurücksetzen des Toilettensystems

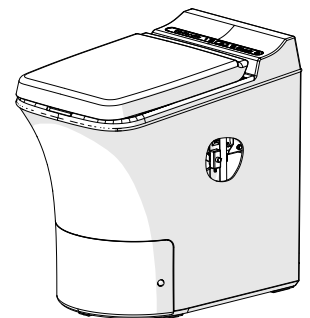
Im Zuge der Reinigung und Fehlerbehebung kann es mitunter hilfreich sein, die Elektronik zurückzusetzen. Dies können Sie durch Drücken der „Start“-Taste tun. Daraufhin ertönt ein kurzer Signalton. Halten Sie die Taste etwa acht Sekunden lang gedrückt, bis Sie einen langen Signalton hören, und lassen Sie die Taste dann los.

Fehlermeldungen

Falls Lampen blinken, sollten Sie nach der Ursache suchen und das Problem beheben, bevor Sie die Toilette benutzen. Falls Unregelmäßigkeiten wie etwa Gerüche, eine schlechte Verbrennungsleistung oder Systemstörungen auftreten, ist unverzügliches Handeln gefordert, um Schäden und unnötige Reparaturkosten zu vermeiden.

Auslösung des Bimetall-Thermostats

Das Bimetall-Thermostat löst aus, wenn die Temperatur im Inneren der Toilette zu hoch ist. Dies passiert in der Regel, wenn nicht genügend Luft zirkuliert oder ein Hindernis in den Be- oder Entlüftungskomponenten des Systems vorhanden ist. Deshalb ist es wichtig zu überprüfen, ob die Zuluft den Spezifikationen entspricht und das Entlüftungsrohr offen und frei von Hindernissen ist. Nehmen Sie eine Sichtprüfung des Katalysators und eine Dampfreinigung entsprechend Abschnitt 4.2.2 vor. Das Thermostat lässt sich wie folgt zurücksetzen: Schrauben Sie die Kunststoffschraube an der Seite der Toilette ab, drücken Sie auf den Schalter und setzen Sie die Schraube wieder ein.



Bei einem Stromausfall

Falls ein Verbrennungsvorgang läuft, wenn es zu einem Stromausfall kommt, können vorübergehend Gerüche aus dem Inneren der Toilette sowie Rauch und Gerüche aus dem Entlüftungsrohr draußen wahrzunehmen sein. Da die Verbrennung nicht automatisch mit der Rückkehr der Stromversorgung fortgesetzt wird, muss von Hand ein neuer Verbrennungszyklus gestartet werden. Wenn der Stromausfall voraussichtlich länger als zwei Stunden andauert, ist es wichtig, Abfälle aus der Toilette zu entfernen, da diese die Toilette beschädigen können, wenn sie für längere Zeit darin verbleiben. Benutzen Sie die Toilette niemals während eines Stromausfalls.

Gerüche im Innenraum

Gerüche können verschiedene Ursachen haben:

1. Keine Verwendung eines Toilettenbeutels bei jeder Benutzung der Toilette oder unsachgemäße Verwendung des Beutels
2. Eventuell ist die Luftzirkulation behindert. Inspizieren Sie das Entlüftungsrohr und den Dachaufsatz.
3. Überprüfen Sie, ob die Toilette entsprechend der Installationsanleitung installiert wurde. Eine zu starke Behinderung des Luftstroms im Entlüftungsrohr kann zu Gegendruck und Gerüchen im Innenraum führen.
4. Eventuell ist die Entlüftungsöffnung mit Partikeln zugesetzt. Siehe Abschnitt 4.2.5.
5. Eventuell ist der Katalysator mit Partikeln zugesetzt. Siehe Abschnitt 4.2.2.
6. Das Entlüftungsrohr ist nicht korrekt an der Toilette angebracht. Siehe Abschnitt 2.5.1.

Gerüche im Außenbereich

Die Gründe können die gleichen wie im Innenraum sein oder:

1. Der Katalysator hat die Betriebstemperatur noch nicht erreicht. Wenn die Toilette kalt ist, kann es einige Minuten dauern, bis der Katalysator die Temperatur erreicht hat, ab der er ordnungsgemäß funktioniert.
2. Eventuell ist der Katalysator korrodiert oder verformt. Wenden Sie sich an Ihren Servicepartner.

5.1 TABELLE ZUR FEHLERBEHEBUNG



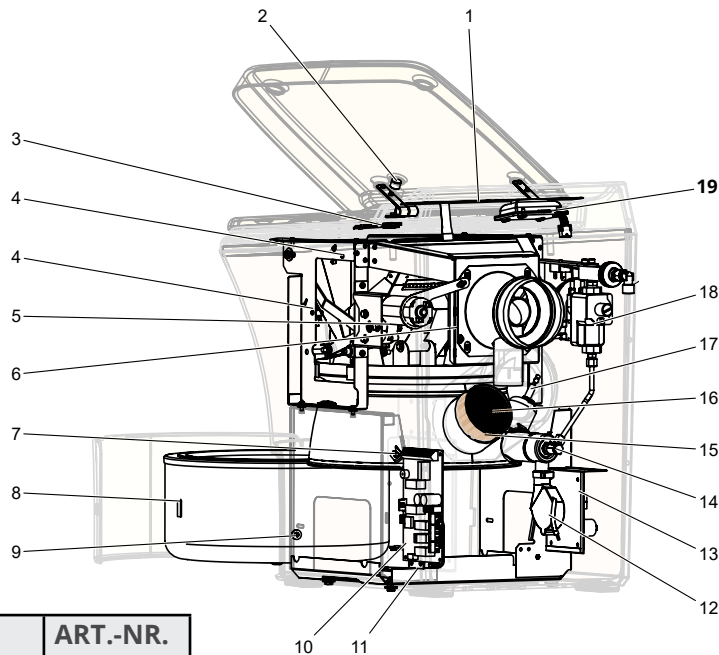
HINWEIS!

Cinderella hat ein digitales Modul zur Fehlerbehebung entwickelt, das auf unserer Website zu finden ist. Dieses Modul dient neben der folgenden Tabelle als ergänzende Informationsquelle und Leitfaden. Besuchen Sie unsere Website www.cinderellaeco.com.

FEHLER	DISPLAY-MELDUNG	ROTE LAMPE	GELBE LAMPE	GRÜNE LAMPE	TONSIGNAL	MASSNAHMEN
Aschebehälter sollte entleert werden	Aschebehälter entleeren	BLINKT abwechselnd	BLINKT abwechselnd	DAUERHAFT AN	3 SIGNALTÖNE	1 Nehmen Sie den Aschebehälter heraus und entleeren Sie ihn. * Die Toilette muss an eine Spannung von 230 V angeschlossen sein.
Aschebehälter muss entleert werden, Toilette gesperrt	Gesperrt Aschebehälter entleeren	DAUERHAFT AN	DAUERHAFT AN	DAUERHAFT AN	3 SIGNALTÖNE IM ABSTAND VON 10 SEKUNDEN	1 Nehmen Sie den Aschebehälter heraus und entleeren Sie ihn. * Die Toilette muss an eine Spannung von 230 V angeschlossen sein.
Kein Strom	Keine Anzeige	AUS	AUS	AUS		1 Stellen Sie sicher, dass die Toilette an den Strom (230 V AC) angeschlossen ist.
Störung des Lüfters	Störung Lüfter	BLINKT	AUS	BLINKT	10 SIGNALTÖNE	1 Kontrollieren Sie den Lüfter auf Blockaden und stellen Sie sicher, dass er sich ordnungsgemäß dreht. 2 Setzen Sie die Toilette zurück („Start“ gedrückt halten). 3 Öffnen Sie den Deckel, bis die rote Lampe blinkt, schließen Sie den Deckel und drücken Sie „Start“. Sollte die Störung weiter bestehen, wenden Sie sich an den Support.
Fehlfunktion des Klappenmechanismus	Störung Verschlussmech	BLINKT	AUS	DAUERHAFT AN	10 SIGNALTÖNE	1 Falls die Toilette warm ist, setzen Sie sie zurück. 2 Öffnen Sie den Deckel, bis die rote Lampe blinkt, schließen Sie den Deckel und drücken Sie „Start“. 3 Falls dies nicht zum Erfolg führt, setzen Sie die Toilette zurück, legen Sie einen Toilettenbeutel ein und gießen Sie 3 Becher Wasser in den Beutel, schließen Sie den Deckel und drücken Sie „Start“. 4 Falls dies nicht zum Erfolg führt, warten Sie, bis die Toilette abgekühlt ist (Lüfter aus). 5 Starten Sie die Toilette neu und öffnen Sie den Deckel, wenn sich die Klappe öffnet. Entfernen Sie eingeklemmte Objekte von Hand. Sollte die Störung weiter bestehen, wenden Sie sich an den Support.
Aschebehälter falsch positioniert	Aschebehälter falsch positioniert	BLINKT	BLINKT	DAUERHAFT AN	3 SIGNALTÖNE	1 Korrigieren Sie die Position des Aschebehälters. Drehen Sie den Griff nach links. 2 Überprüfen Sie, ob der Anschlagstift am Behälter intakt ist. 3 Inspizieren Sie den Zustand des Magneten am Behälter. Sollte die Störung weiter bestehen, wenden Sie sich an den Support.
Heizstromkreis unterbrochen	Störung Verbrennungsstromkreis	AUS	BLINKT	DAUERHAFT AN	DAUERHAFT SIGNALTÖNE	1 Setzen Sie die Toilette zurück. 2 Kontrollieren Sie das Bimetall-Thermostat rechts an der Toilette. Schrauben Sie die graue Kappe ab und drücken Sie mit dem Finger auf die Sicherung im Inneren: Verwenden Sie keine spitzen Gegenstände. 3 Wenn die Sicherung ausgelöst hatte, hören Sie ein Klickgeräusch. Siehe Abschnitt 5. 4 Wenn die Sicherung nicht das Problem war, setzen Sie die Toilette zurück und versuchen Sie, die Toilette zu starten. Wiederholen Sie dies mehrere Male. Sollte die Störung weiter bestehen, wenden Sie sich an den Support.
Toilettendeckelsensor ausgelöst	Deckel ist offen	BLINKT	AUS	DAUERHAFT AN	KEINES	1 Kontrollieren Sie den Magneten innen am Toilettendeckel und schließen Sie den Deckel. Sollte die Störung weiter bestehen, wenden Sie sich an den Support.
Fehlfunktion des Temperatursensors	Störung Temperatursensor	AUS	BLINKT	BLINKT	DAUERHAFT SIGNALTÖNE	1 Setzen Sie die Toilette zurück. 2 Öffnen Sie den Deckel, bis die rote Lampe blinkt, schließen Sie den Deckel und drücken Sie „Start“. 3 Sollte die Störung weiter bestehen, wenden Sie sich an den Support.
Nicht lesbar/ keine Displaymeldung	Nicht lesbar/ keine Anzeige					1 Trennen Sie die Toilette vom Strom und warten Sie 5 Minuten. 2 Stecken Sie den Stecker wieder ein und starten Sie die Toilette neu. 3 Sollte die Störung weiter bestehen, wenden Sie sich an den Support.

6. REPARATUREN UND ERSATZTEILE

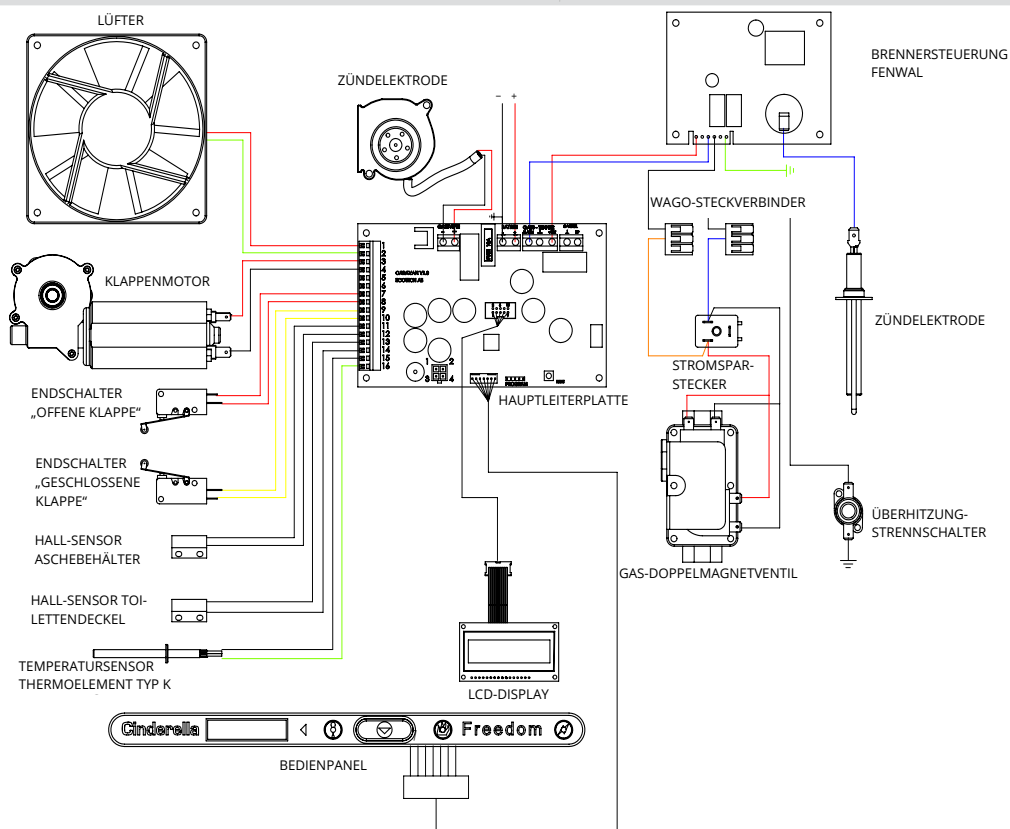
6.1 ERSATZTEILLISTE



ID	TEILEBESCHREIBUNG	ART.-NR.
1	Bedienpanel	100981
2	Magnet 14x10 mm	100433
3	Hall-Sensor mit Kabel und Fixierband L = 330 mm	100964
4	Mikroschalter	101127
5	Nidec-Motor 12/24 V DC	101177
6	Axiallüfter 12 V DC 119x38 mm	100154
7	Thermoelement	100831
8	Anschlagwinkel 9x26x12 mm	100017
9	Magnet 14x7 mm	100065
10	Leiterplatte Gas	100989

ID	TEILEBESCHREIBUNG	ART.-NR.
11	Hall-Sensor	100228
12	Zentrifugallüfter 51x51x15 mm	100542
13	Zündeinheit Fenwal	100424
14	Gasdüse 8" WC Propan SM	101414
15	Dämmvlies 275x90x2 mm	100163
16	Katalysator 90x75 mm	100528
17	Zündelektrode	100196
18	Gas-Stellgerät - Maxitrol CV200	101224
19	LED-Display 65x36x13 mm	100401

6.2 SCHALTPLAN



7. Garantie

Was deckt diese Garantie ab?

Diese Garantie deckt Material- oder Verarbeitungsfehler Ihrer Cinderella-Verbrennungstoilette zu den Bedingungen, für den Zeitraum und vorbehaltlich der unten aufgeführten Ausnahmen ab.

Was deckt die Garantie nicht ab?

Nicht von dieser Garantie gedeckt sind gewöhnlicher Verschleiß sowie Schäden durch Unfälle (einschließlich Brand, Überflutungen, Tornados oder höhere Gewalt), Missbrauch, unsachgemäßen Gebrauch, Missachtung der Herstelleranweisungen oder unsachgemäße Wartung. Folge- und Nebenschäden sind im Rahmen dieser Garantie nicht erstattungsfähig. Die Cinderella Eco Group gewährt keine „Vor-Ort“-Garantie. Das bedeutet, dass die Toilette zu einem autorisierten Servicepartner gebracht werden muss, der die Servicearbeiten durchführen kann. Wenn dies nicht möglich ist, kann der Händler die Transport- oder Fahrtkosten in Rechnung stellen.

Wie lange gilt die Garantie?

Bei Privatkunden gilt diese Garantie für einen Zeitraum von drei (3) Jahren ab dem ursprünglichen Kaufdatum. Gewerbliche Nutzer erhalten ein (1) Jahr Garantie.

Was unternimmt die Cinderella Eco Group im Garantiefall?

Wenn Sie einen berechtigten Garantieanspruch geltend machen, wird die Cinderella Eco Group die Cinderella-Verbrennungstoilette nach eigenem Ermessen entweder reparieren, ersetzen oder den Kaufpreis zurückerstatten.

Wie kann ich einen Service vereinbaren?

Um einen Service zu vereinbaren, wenden Sie sich an Ihren Vertriebshändler oder einen autorisierten Servicepartner in Ihrem Land. Die verfügbaren Serviceoptionen hängen von dem Land ab, in dem der Service angefordert wird.

Möglicherweise müssen Sie bei der Geltendmachung eines Garantieanspruchs einen Kaufbeleg vorweisen. Weitere Garantieinformationen finden Sie auf unserer Website: www.cinderellaeco.com

Cinderella Eco Group AS

Sjøvikvegen 67, NO-6475 Midsund, Norwegen
www.cinderellaeco.com

SOMMAIRE

1. SECTION GÉNÉRALE	3
1.1 INTRODUCTION	3
1.2 APPLICATION CONFORME AUX RÉGLEMENTATIONS	3
1.3 GUIDE D'UTILISATION	3
1.4 LIMITATION DE LA RESPONSABILITÉ	3
1.5 LISTES ET CERTIFICATIONS	3
1.6 EXIGENCES ENVIRONNEMENTALES	3
1.7 CONSIGNES GÉNÉRALES DE SÉCURITÉ	4
1.8 PLAQUE SIGNALÉTIQUE DES TOILETTES	5
1.9 CINDERELLA EN LIGNE	5
2. INSTALLATION	6
2.1 DÉBALLAGE DE VOS TOILETTES À INCINÉRATION CINDERELLA	6
2.2 FICHE TECHNIQUE DES MESURES	6
2.3 EMBALLAGES D'ORIGINE POUR L'INSTALLATION DE VOS TOILETTES CINDERELLA	7
2.4 INSTRUCTIONS RELATIVES À L'INSTALLATION	8
2.4.1 FICHE TECHNIQUE DES PIÈCES ET MATÉRIAUX	8
2.5 INSTALLATION DES TOILETTES À INCINÉRATION CINDERELLA	8
2.5.1 INSTALLATION DES TUYAUX D'ÉVACUATION	9
2.5.2 RACCORD POUR L'ADMISSION D'AIR	10
2.5.3 INSTALLATION DU CHAPEAU DE CHEMINÉE ORIGINAL CINDERELLA	11
2.5.4 INSTALLATION AU GAZ	11
2.6 CARACTÉRISTIQUES ET EXIGENCES ÉLECTRIQUES	12
2.7 RETRAIT DE LA SANGLE DE SÉCURITÉ POUR LE TRANSPORT	12
2.8 LISTE DE CONTRÔLE POUR VÉRIFIER L'INSTALLATION COMPLÈTE	13
2.9 TEST DE PERFORMANCE POUR VÉRIFIER LE BON FONCTIONNEMENT DU SYSTÈME	13
3. SECTION DE L'UTILISATEUR	14
3.1 UTILISATION PRÉVUE ET MANIPULATION	14
3.2 SÉCURITÉ GÉNÉRALE	14
3.3 RÈGLES DE SÉCURITÉ POUR UN FONCTIONNEMENT AU GAZ	14
3.4 FONCTIONNEMENT EN TOUTE SÉCURITÉ	14
3.5 DISPOSITIFS DE SÉCURITÉ DES TOILETTES CINDERELLA FREEDOM	14
3.6 INFORMATIONS IMPORTANTES POUR L'UTILISATEUR	15
3.7 PANNEAU DE COMMANDE	16
3.8 UTILISATION DES TOILETTES CINDERELLA FREEDOM	17
3.9 MANIPULATION DU PANNEAU AVANT ET DE LA BOÎTE À CENDRES	18
4. ENTRETIEN GÉNÉRAL	19
4.1 CARACTÉRISTIQUES DES RÉSIDUS	19
4.2 ENTRETIEN EFFECTUÉ PAR LE CLIENT	20
4.2.1 VIDAGE ET NETTOYAGE DE LA BOÎTE À CENDRES	20
4.2.2 NETTOYAGE À LA VAPEUR DU CATALYSEUR	20
4.2.3 NETTOYAGE DE LA CUVETTE	21
4.2.4 INSPECTION ET NETTOYAGE DU CATALYSEUR À L'AIDE D'UN ASPIRATEUR	22
4.2.5 NETTOYAGE DU RACCORD DU TUYAU DE LA CHEMINÉE	22
4.2.6 RINÇAGE DU CATALYSEUR À L'EAU CHAUDE	23
5. DÉPANNAGE ET FAQ	24
5.1 TABLEAU DE DÉPANNAGE	25
6. RÉPARATIONS ET PIÈCES DE RECHANGE	26
6.1 LISTES DES PIÈCES DE RECHANGE	26
6.2 SCHÉMA DU CÂBLAGE	26
7. GARANTIE	27

1. SECTION GÉNÉRALE

1.1 INTRODUCTION

Il est essentiel d'assurer une bonne ventilation conformément aux consignes de ce manuel afin de garantir le bon fonctionnement de vos nouvelles toilettes Cinderella. Une installation incorrecte peut entraîner un dysfonctionnement, une usure ou des odeurs et annulera la garantie. Lors de l'installation des toilettes, veuillez respecter les réglementations techniques et administratives du pays où les toilettes sont installées.

1.2 APPLICATION CONFORME AUX RÉGLEMENTATIONS

Ces toilettes sont conçues de manière à incinérer les déchets biologiques et produits sanitaires de petite taille tels que le papier toilette et les lingettes démaquillantes ou pour bébé ne contenant pas d'alcool. Cet appareil ne doit pas être installé dans une installation mobile ou portable telle qu'un mobil-home, un camping-car ou une caravane.

1.3 GUIDE D'UTILISATION

Veuillez lire soigneusement ce manuel d'instructions avant l'installation et la première utilisation. Conservez ces instructions dans un endroit sûr pour toute référence ultérieure. Si vous transférez ce produit à un tiers, veuillez lui remettre également le manuel d'instructions.

Ces instructions vous fournissent les indications nécessaires pour une installation, une manipulation et un entretien corrects des toilettes. Il est important que l'installateur et l'utilisateur se familiarisent avec les instructions contenues dans ce manuel. Le manuel comprend également des informations sur l'entretien professionnel et toute autre information nécessaire à la maintenance et aux réparations.

Une version numérique de ce document ainsi que des informations complémentaires sont disponibles sur le site www.cinderellaeco.com.

1.4 LIMITATION DE LA RESPONSABILITÉ

Le fabricant ne sera pas tenu responsable de tout dommage dans les cas suivants :

- Installation défectueuse
- Dommage des toilettes en raison d'une tension de raccordement incorrecte
- Modifications des toilettes sans autorisation expresse du fabricant
- Utilisation à des fins différentes de celles décrites dans le manuel d'utilisation
- Non-respect des instructions d'utilisation et d'entretien
- Application non conforme aux réglementations ou dispositions
- Utilisation de sacs et de pièces de rechange d'une autre marque

1.5 LISTES ET CERTIFICATIONS

Les toilettes Cinderella Freedom ont été testées rigoureusement par DBI et SLG, conformément à la norme européenne relative à la sécurité du gaz et à la compatibilité électromagnétique.

1.6 EXIGENCES ENVIRONNEMENTALES

- Plage de température ambiante : De -20 °C à 40 °C
- Altitude de fonctionnement : Testées à 1500 m.



AVERTISSEMENT !

Lors de l'installation des toilettes Cinderella, la distance minimale par rapport à des matériaux combustibles doit être de : 50 mm sur les côtés et 50 mm de la paroi arrière.

1.7 CONSIGNES GÉNÉRALES DE SÉCURITÉ



DANGER !

Consigne de sécurité : le non-respect de cette consigne peut entraîner des blessures graves, voire mortelles.



ATTENTION !

Consigne de sécurité : Le non-respect de cette consigne peut entraîner des blessures.



AVERTISSEMENT !

Le non-respect de cette consigne peut entraîner des dommages importants et nuire au bon fonctionnement des toilettes.



REMARQUE !

Informations complémentaires concernant l'utilisation du produit.



DANGER !

- N'utilisez pas d'aérosols près de ces toilettes lors de leur utilisation.
- N'utilisez et ne stockez pas de produits inflammables dans ou près de ces toilettes.
- Ne placez pas d'articles sur ou contre ces toilettes.
- Ne modifiez pas ces toilettes.



- N'utilisez pas les toilettes à incinération en cas de dommages visibles.
- Si le câble d'alimentation est endommagé, il doit être remplacé par le fabricant, le service après-vente ou tout autre personne qualifiée afin de prévenir tout risque pour la sécurité.
- N'utilisez jamais une flamme nue pour vérifier le raccordement au gaz des toilettes ou détecter une fuite.
- Seul un professionnel qualifié est en mesure de réparer les toilettes. Toute réparation incorrecte peut entraîner de graves dangers.
- N'utilisez que du gaz GPL.
- Utilisez les toilettes uniquement avec la pression indiquée sur la plaque signalétique située à l'arrière des toilettes.



ATTENTION !






- Risque d'accident par écrasement ! Ne placez pas votre main sur la charnière ou entre le siège et l'abattant des toilettes lorsque ce dernière est relevé, car il n'existe aucune fonction de fermeture amortie de l'abattant sur la lunette.
- Ne videz pas la boîte à cendres lorsqu'elle est chaude.
- Avant la mise sous tension, vérifiez que le câble d'alimentation et la prise sont secs.



- Tenez toujours les toilettes par la cuvette lors du transport. Ne tenez jamais les toilettes par le raccord de gaz, le cordon d'alimentation, l'abattant, la cuvette, l'abattant, la lunette ou le tuyau d'échappement.
- Vérifiez que la tension indiquée sur la plaque signalétique correspond à celle de l'alimentation en électricité.
- Utilisez uniquement des câbles d'alimentation au diamètre approprié.
- Risque de surchauffe ! Veillez toujours à ce que la ventilation soit suffisante pour que la chaleur et les émissions générées pendant la combustion puissent se dissiper par le conduit de cheminée. Assurez-vous qu'il y a une bonne circulation de l'air dans le système. Vérifiez que la ventilation est suffisante dans la pièce des toilettes.
- Veillez à ce qu'il y ait suffisamment d'espace entre les toilettes et les murs ou autres objets pour que l'air puisse circuler.

1.8 PLAQUE SIGNALÉTIQUE DES TOILETTES

La plaque signalétique est située à l'arrière des toilettes à incinération. Vous y trouverez l'identification du modèle, le numéro de série, les caractéristiques des toilettes et les renseignements relatifs à l'assistance. Vous aurez besoin de ces informations pour contacter le service après-vente ou commander les pièces de rechange.

<p>MANUFACTURER</p>  <p>Cinderella Incineration Toilets</p> <p>CINDERELLA ECO GROUP AS Sjøvikvegen 67, 6475 Midsund, NORWAY For sales and support call +4777711500 or visit our web www.cinderellaeco.com</p> <p>CINDERELLA FREEDOM MODEL: PM02CS03EU SERIAL:</p>	<p>Appliance Specifications</p> <p>VOLTAGE..... 12V DC CURRENT 4 A GAS:..... PROPANE FAN BLOWER:..... 12V DC GAS SUPPLY PRESSURE: 30 mBar CAPACITY..... 3-4 PEOPLE PR. HOUR CONNECTED LOAD 425 G/H EFFECT..... 2.86 kW EXHAUST SYSTEM CONSTRUCTION -B22 DEVICE CATEGORY I3 B/P YEAR OF MANUFACTURING..... 2021 DESIGNED FOR..... HOME/CABINS, SANITATION WELFARE UNIT</p>	   
	<p>For information on how to claim warranty, support and recycle our product visit www.cinderellaeco.com</p>	

1.9 CINDERELLA EN LIGNE



INSCRIPTION À « MY CINDERELLA »

Lorsque vous enregistrez vos toilettes dans l'espace « My Cinderella », vous recevez toutes les informations sur nos produits et systèmes d'assistance disponibles, ainsi que des offres spéciales adaptées spécifiquement au modèle de vos toilettes. En cas de vol, les toilettes enregistrées seront dans notre base de données du fabricant.

Tableau de dépannage en ligne

Un guide complet pour vos toilettes offrant des conseils utiles et des améliorations pour l'utilisateur, afin de vous permettre de résoudre les problèmes les plus courants par vous-même, sans avoir à faire appel à une assistance quelconque.

Accès facile aux informations

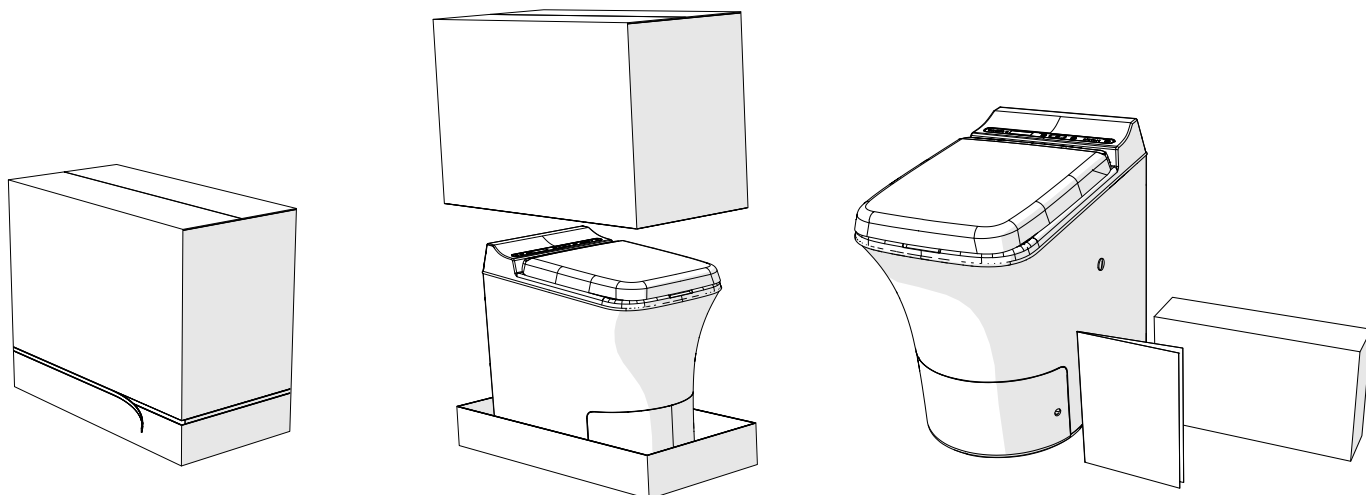
Vous pouvez télécharger les documents relatifs à nos produits depuis notre centre de documentation en ligne où vous trouverez les manuels d'entretien ainsi qu'un manuel sur le démontage des déchets électriques et électroniques (WEEE).

Après-vente et pièces de rechange

Sélectionnez le pays d'origine pour recevoir la liste des concessionnaires locaux à contacter pour l'entretien et les pièces de rechange.

2. INSTALLATION

2.1 DÉBALLAGE DE VOS TOILETTES À INCINÉRATION CINDERELLA



REMARQUE !

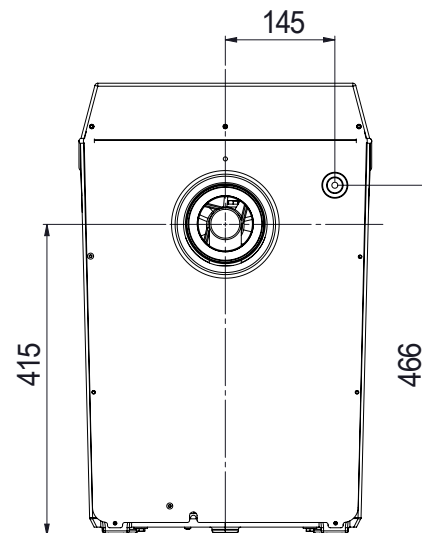
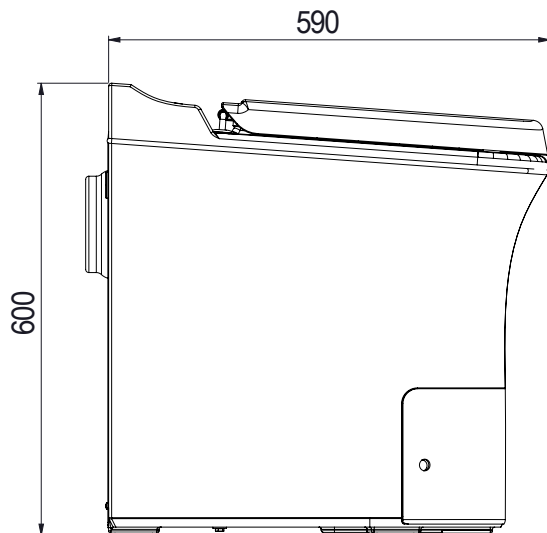
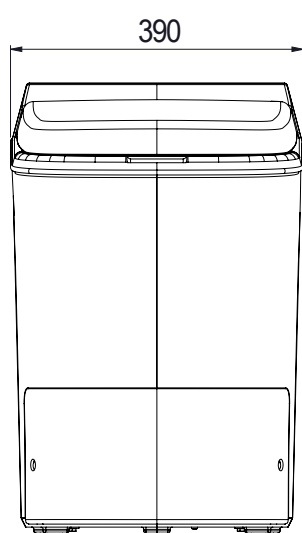
Lors du déballage des toilettes Cinderella, utilisez la bande intégrée en bas de la caisse. Détachez la bande et soulevez la caisse.

ARTICLES INCLUS	QTÉ
Cinderella PM02CS03	1
Sacs	1
Manuel produit	1

2.2 FICHE TECHNIQUE DES MESURES

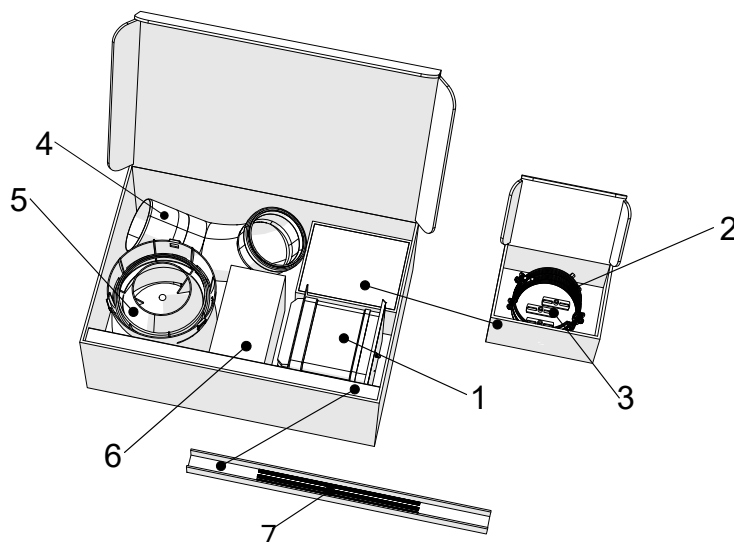
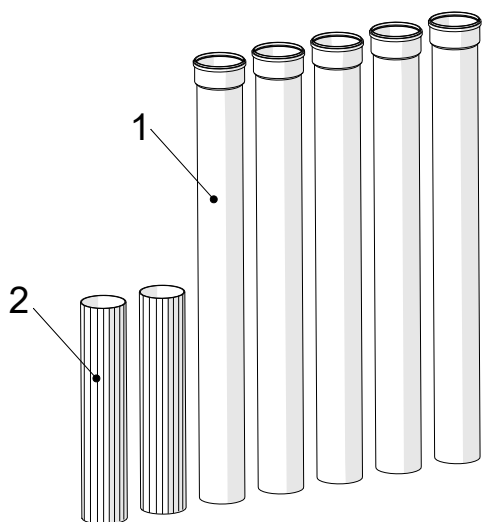
Hauteur	600 mm
Hauteur du siège	540 mm
Largeur	390 mm

Profondeur	590 mm
Hauteur jusqu'au centre de la bouche d'évacuation	415 mm



2.3 EMBALLAGES D'ORIGINE POUR L'INSTALLATION DE VOS TOILETTES CINDERELLA

Kit d'installation original Cinderella : nous recommandons vivement l'utilisation du « kit d'installation original Cinderella » lors de l'installation de vos toilettes. Ce kit complet comprend les pièces nécessaires à une parfaite installation et optimise le processus d'incinération ainsi que le bon fonctionnement de vos toilettes. Le kit d'installation est fourni dans deux caisses distinctes. La caisse n° 1 comprend une gaine de cheminée et un coude optimisés pour augmenter le débit du système et l'efficacité de l'incinération. Il comprend également une bouche d'aération de 201 cm² spécialement conçue pour optimiser le bon fonctionnement du système. Le kit contient aussi des colliers pour faciliter l'installation des tuyaux d'évacuation. La caisse n° 2 comprend des tuyaux de qualité en PP résistant aux UV de 7 x 110 mm pour l'installation de la ventilation.



KIT D'INSTALLATION ORIGINAL CINDERELLA		QTÉ
1	Tuyau de cheminée mâle/femelle 1066 mm	5
2	Tuyau de cheminée mâle/femelle 500 mm	2

KIT D'INSTALLATION ORIGINAL CINDERELLA		QTÉ
1	Bouche d'aération, 160 mm (201 cm ²)	1
2	Collier	3
3	Tige de montage mural	3
4	Coude de 87° avec purge	1
5	Chapeau de cheminée	1
6	Kit de régulation de pression*	1
7	Tige filetée 30 mm	3

*Norvège et Suède uniquement



REMARQUE !

- Ce manuel explique et montre comment installer au mieux vos toilettes, en utilisant les pièces incluses dans le kit d'installation original Cinderella. Si vous souhaitez utiliser des tuyaux et pièces différents des originaux pour installer vos toilettes Cinderella, vérifiez qu'ils sont conformes aux spécifications décrites dans la section 2.4.1 « Fiche technique des pièces et matériaux ».
- Afin de garantir le bon fonctionnement de vos toilettes à incinération Cinderella, il est essentiel d'assurer une bonne ventilation conformément aux instructions de ce manuel. Le non-respect des spécifications du fabricant ou l'utilisation de pièces non agréées pour l'installation des toilettes ont pour effet de provoquer un mauvais fonctionnement, de l'usure ou des odeurs, et d'annuler la garantie.

2.4 FICHE TECHNIQUE DE L'INSTALLATION

2.4.1 FICHE TECHNIQUE DES PIÈCES ET MATÉRIAUX

ARTICLE	FICHE TECHNIQUE
Tuyaux de ventilation	L'installation des toilettes Cinderella Freedom doit être réalisée avec des tuyaux de 110 mm lisses à l'intérieur et d'un diamètre intérieur minimum de 102 mm. Le matériau du tuyau doit autoriser des températures supérieures à 100 °C et être de préférence de type PP ou CPVC. Nous recommandons vivement l'utilisation de tuyaux Cinderella d'origine de qualité PP.
Coude (évacuation d'air)	Les toilettes Cinderella Freedom doivent être installées avec un coude à grande ouverture pour minimiser la restriction de la circulation de l'air. Nous recommandons vivement d'utiliser le coude Cinderella de 87° d'origine avec purge.
Chapeau de cheminée	L'installation des toilettes Cinderella Freedom doit comprendre un chapeau de cheminée qui empêche la pénétration de l'eau de pluie et restreint au minimum la circulation de l'air. N'utilisez pas de ventilateur ou appareil similaire pour aérer les toilettes à incinération Cinderella. Nous recommandons vivement l'utilisation du chapeau de cheminée original Cinderella.



REMARQUE !

- La paroi intérieure du tuyau de ventilation doit être lisse et sans reliefs ou rainures.
- N'utilisez jamais de grillage dans le tuyau de ventilation car celui-ci pourrait restreindre la circulation de l'air dans le système.
- Le coude doit être accessible après installation pour que vous puissiez rincer le tuyau de purge et nettoyer le tuyau d'évacuation.
- Les toilettes Cinderella Freedom sont agréées pour une utilisation dans les salles de bain/d'eau (de classe IP 34), mais il ne doit y avoir aucune éclaboussure d'eau sur les parties externe des toilettes.
- Les toilettes doivent être placées sur une surface plane et ferme. Vos toilettes Cinderella peuvent être installées sur un plancher chauffant.

2.5 INSTALLATION DES TOILETTES À INCINÉRATION CINDERELLA

Il est essentiel d'assurer une bonne ventilation conformément aux consignes de ce manuel afin de garantir le bon fonctionnement de vos nouvelles toilettes Cinderella. Une installation incorrecte peut entraîner un dysfonctionnement, une usure ou des odeurs et annulera la garantie. Lisez attentivement chaque section avant de procéder à l'installation des toilettes. Veillez toujours à ce que les travaux soient effectués par des professionnels, conformément aux réglementations locales.



AVERTISSEMENT !

- Lors de l'installation des toilettes, veuillez respecter les réglementations techniques et administratives du pays où les toilettes sont installées. Nous vous recommandons de contacter votre concessionnaire local pour la préparation et l'installation de vos toilettes Cinderella.
- N'utilisez jamais de té en plus du coude.
- Si le tuyau traverse la surface du toit, assurez-vous que cela est conforme aux réglementations en matière de construction.
- N'utilisez pas de conduits ni de tuyaux flexibles pour l'installation des toilettes Cinderella.
- Ne raccordez jamais plus d'un appareil à la bouche d'aération.

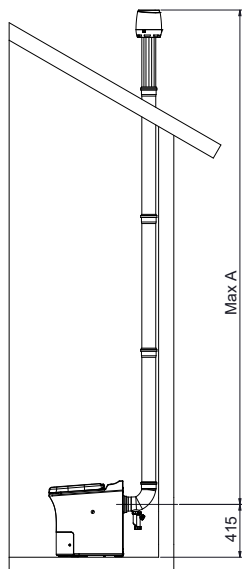


ATTENTION !

Avant de percer les trous, assurez-vous que vous ne risquez pas de sectionner des fils électriques ou des conduites d'eau.

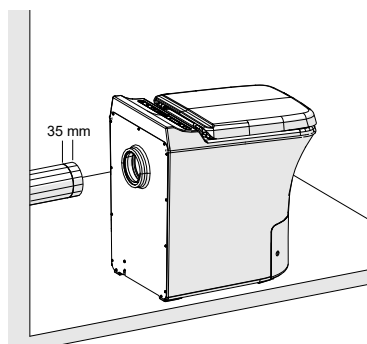
2.5.1 INSTALLATION DES TUYAUX D'ÉVACUATION

DIAMÈTRE DU TUYAUX DE VENTILATION	DIRECTIO DE L'ÉVACUATION	RÉFÉRENCE	COUDES	LONGUEUR MAXIMALE DE TUYAU
110 mm	Tuyau de cheminée horizontal	C	(Non autorisé)	1,0 m
110 mm	Tuyau de cheminée vertical	A	Aucun	5,0 m



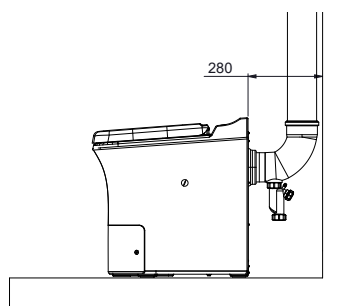
REMARQUE !

Le centre du raccord du tuyau de la cheminée est situé à 415 mm du niveau du sol.



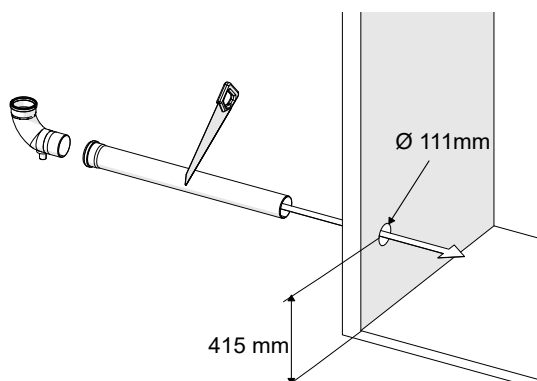
REMARQUE !

Lors de l'ajustement de la longueur du tuyau, veuillez noter que le tuyau pénétrera de 35 mm dans le raccord des toilettes ; veuillez en tenir compte lors de la préparation de votre installation.



REMARQUE !

Si vous installez le tuyau verticalement directement à partir des toilettes, veuillez noter que la distance minimale par rapport au mur doit être de 280 mm.



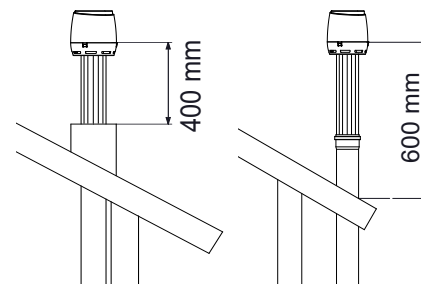
REMARQUE !

Le kit d'installation original Cinderella comprend 5 tuyaux de 1066 mm à utiliser pour le système d'évacuation. Les tuyaux sont livrés avec un connecteur et un joint pour une installation simple. Lors de l'installation du tuyau à travers le mur extérieur, vous devez introduire le tuyau depuis l'extérieur vers l'intérieur.



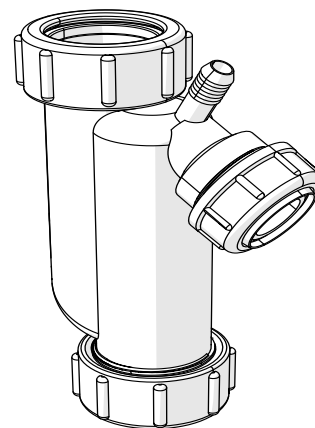
REMARQUE !

- Le tuyau doit toujours être installé à la verticale et dépasser la surface du toit d'au moins 600 mm. Si le tuyau d'évacuation d'air doit être recouvert, par exemple d'un revêtement métallique, veuillez vérifier que l'extrémité du tuyau ressorte d'au moins 400 mm du revêtement.
- En cas d'installation dans un endroit où il y a un risque d'accumulation de neige, il peut s'avérer nécessaire de prolonger le tuyau et de le fixer en conséquence. Toutefois, veillez à ce qu'il ne dépasse pas la longueur de tuyau maximale autorisée.



REMARQUE !

Cinderella fournit un « siphon » spécialement adapté au coude fourni dans le kit d'installation. Cet accessoire peut être acheté auprès de n'importe quel concessionnaire Cinderella. Si l'installation se fait de l'intérieur, vous devrez raccorder le siphon à la pièce coudée pour éviter que la condensation et l'eau de pluie ne s'écoulent sur le sol. Si le condensat n'est pas collecté et vidé régulièrement, le sol risque d'être endommagé.



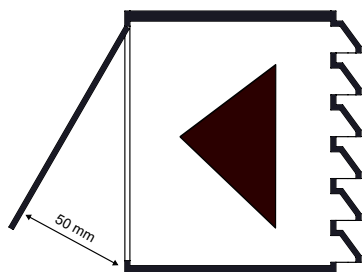
2.5.2 RACCORD POUR L'ADMISSION D'AIR

Une bouche d'entrée d'air conforme aux spécifications du fabricant est nécessaire pour assurer une circulation d'air adéquate et l'oxygène nécessaire à une bonne incinération. Le kit d'installation original Cinderella contient une bouche d'aération spécialement conçue pour une circulation optimale et une plus grande efficacité des toilettes. La bouche d'admission d'air doit de préférence être installée le plus près possible des toilettes Cinderella. Cela permet d'assurer une bonne alimentation en air des toilettes tout en réduisant l'impact environnemental dans la pièce où sont situées les toilettes. Il est important qu'aucune autre installation nécessitant une entrée d'air, par exemple une hotte aspirante ou une cheminée, ne soit utilisée en même temps que les toilettes. Sur le modèle de toilettes Cinderella Freedom, l'air est aspiré principalement par le dessous. Il est donc possible de placer l'admission d'air sous les toilettes. Cela vous permet d'isoler au maximum l'air dans les toilettes et de minimiser l'impact environnemental dans la pièce des toilettes.



REMARQUE !

- Les dimensions minimales de la bouche d'aération doivent être de 160 mm (diamètre) / 201 cm².
- Elle doit toujours être ouverte lors de l'utilisation de l'appareil. N'oubliez pas de procéder au nettoyage de la bouche d'aération régulièrement.
- Assurez-vous qu'il n'y a pas de conflit entre l'alimentation en air des toilettes et d'autres installations, telles qu'une cheminée ou une hotte aspirante.
- N'utilisez pas de ventilateur séparé ou similaire pour extraire l'air de la pièce où les toilettes sont installées lorsque vous utilisez les toilettes Cinderella Freedom.
- S'il existe une ventilation ouverte sous les toilettes, il est conseillé de placer in file sur l'orifice pour tenir à l'écart les insectes et autres indésirables. Assurez-vous que le maillage n'est pas trop fin (5 mm minimum) car cela empêcherait la bonne circulation de l'air.



REMARQUE !

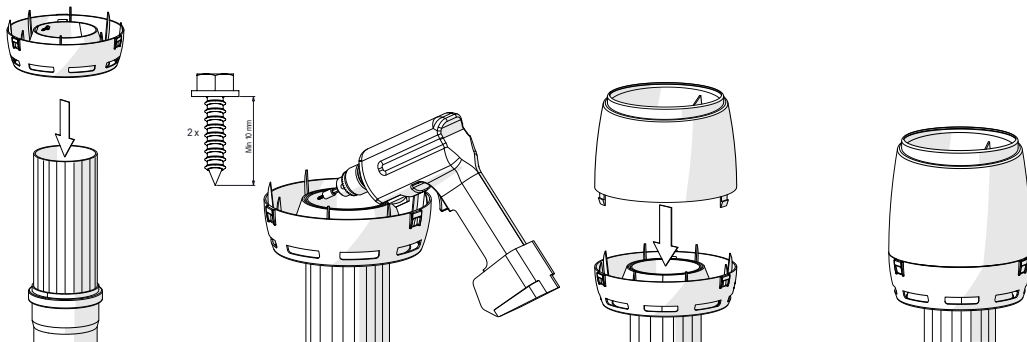
Si la bouche d'aération installée a une ouverture réglable, assurez-vous de toujours la laisser ouverte au moins 75 mm (2 crans) lors de l'utilisation des toilettes.

2.5.3 INSTALLATION DU CHAPEAU DE CHEMINÉE ORIGINAL CINDERELLA



REMARQUE !

Le kit d'installation original Cinderella contient un chapeau de cheminée conçu pour une circulation optimale et une plus grande efficacité des toilettes. Ce chapeau se compose de deux parties : la section de base peut être fixée aux tuyaux avec des vis inoxydables ou de la colle, afin de faciliter le raccordement et le retrait pour l'entretien des tuyaux de ventilation. Utilisez le tuyau de 500 mm inclus dans le kit d'installation Cinderella comme dernière section du tuyau de ventilation. Cela permettra de raccorder le chapeau de cheminée.



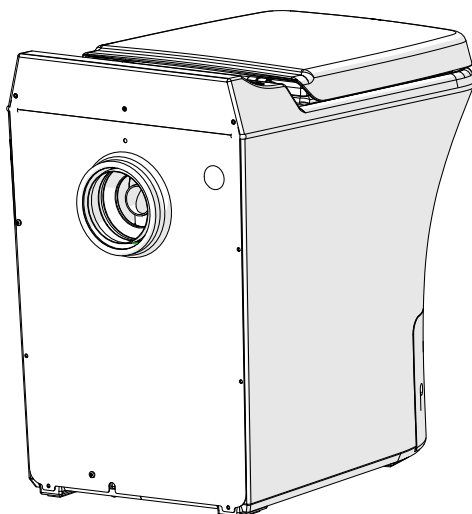
2.5.4 INSTALLATION AU GAZ

Lorsque vous raccordez vos toilettes au gaz, assurez-vous que vous utilisez un détendeur de gaz respectant les normes de votre pays. Le raccord sur l'appareil est de type 1/4 pouce NTP.



ATTENTION !

- Utilisez les toilettes uniquement avec la pression indiquée sur la plaque signalétique située à l'arrière des toilettes.
- Faites fonctionner les toilettes uniquement avec le type de gaz indiqué sur la plaque signalétique située à l'arrière des toilettes.
- Les toilettes sont uniquement conçues pour une installation intérieure.



FICHE TECHNIQUE	VALEUR	REMARQUES
Consommation de carburant	160-190 g	Par incinération
Pression de l'alimentation en gaz	30 mbar	
Type de gaz	GPL	
Raccord gaz	G ¼ pouces main gauche	
Diamètre de l'orifice	1 mm	

2.6 CARACTÉRISTIQUES ET SPÉCIFICATIONS ÉLECTRIQUES

La tension, la fréquence et l'intensité correctes doivent être fournies à l'appareil à partir d'un circuit dédié, mis à la terre et protégé par un disjoncteur correctement dimensionné. Les valeurs appropriées pour la tension, la fréquence et l'intensité sont indiquées dans ce manuel et sur la plaque signalétique située à l'arrière des toilettes. Veuillez noter : Ces toilettes nécessitent un boîtier d'alimentation en CC de 12 Volts et 4 Ampères. Si vous devez les raccorder à un point d'alimentation en 240 V en courant alternatif (CA), veuillez prendre contact avec votre concessionnaire afin qu'il vous indique une alimentation homologuée.

Alimentation électrique	COURANT	D'ENTRÉE	FUSIBLE
	12 V CC (11- 14,4 V)	4 A	10 A
Consommation électrique	EN MODE HIBERNATION	EN MODE VEILLE	EN MODE INCINÉRATION
	0,005 A	0,09 A	1,3 A
Polarité de branchement	SECTION	POSITIVE	NÉGATIVE
	2 mm ²	Rouge	Noir

Les câbles négatifs et positifs respectifs de raccordement au courant continu ne doivent pas être reliés les uns aux autres dans un camping-car, car cela peut provoquer des interférences électriques et endommager les composants électriques. L'alimentation 12 V doit être connectée sur son propre circuit directement à la batterie, avec un fusible de 10 A en début de circuit. Pour calculer la taille de câble correcte en fonction de la longueur du câble, référez-vous au guide de câblage 12 V.

GUIDE DE CÂBLAGE EN 12 V						
Ampères	1 m	2 m	5 m	6 m	8 m	10 m
4	2 mm ²	2 mm ²	2 mm ²	4 mm ²	4 mm ²	4 mm ²

Lors du raccordement des toilettes à l'alimentation secteur en courant continu, tenez compte des points suivants :

- Assurez-vous que le câble a un courant nominal suffisant pour la charge prévue dans le circuit, y compris avec une marge de sécurité.
- Assurez-vous que la section du câble est dimensionnée pour la longueur de câble prévue et que le câble ne provoquera pas de chute de tension.
- Vérifiez toujours la polarité des câbles avant de les connecter, car une connexion à polarité inversée n'est pas couverte par la garantie.



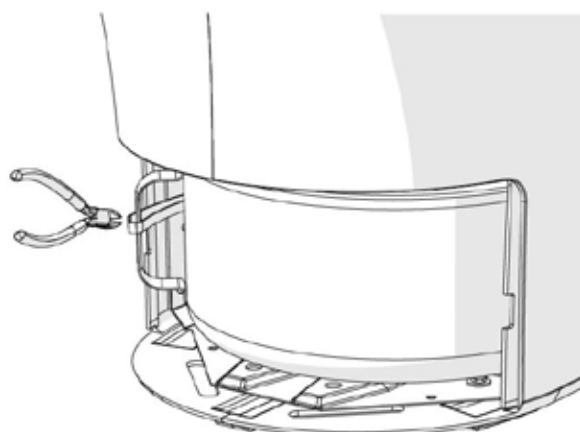
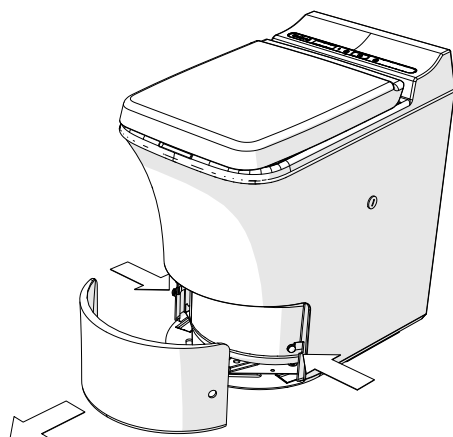
REMARQUE !

- Le câble de raccordement doit être posé de manière à ne pas entrer en contact avec des bords coupants.
- Toute modification de l'installation électrique interne ou du câble de raccordement doit être effectuée par un professionnel ou une personne agréée pour éviter tout danger pour la sécurité.

2.7 RETRAIT DE LA SANGLE DE SÉCURITÉ POUR LE TRANSPORT

La boîte à cendres est équipée d'une sangle de sécurité qui doit être retirée avant utilisation :

1. Retirez le panneau avant.
2. Coupez et retirez les sangles en plastique fixant la boîte à cendres au cadre en acier.



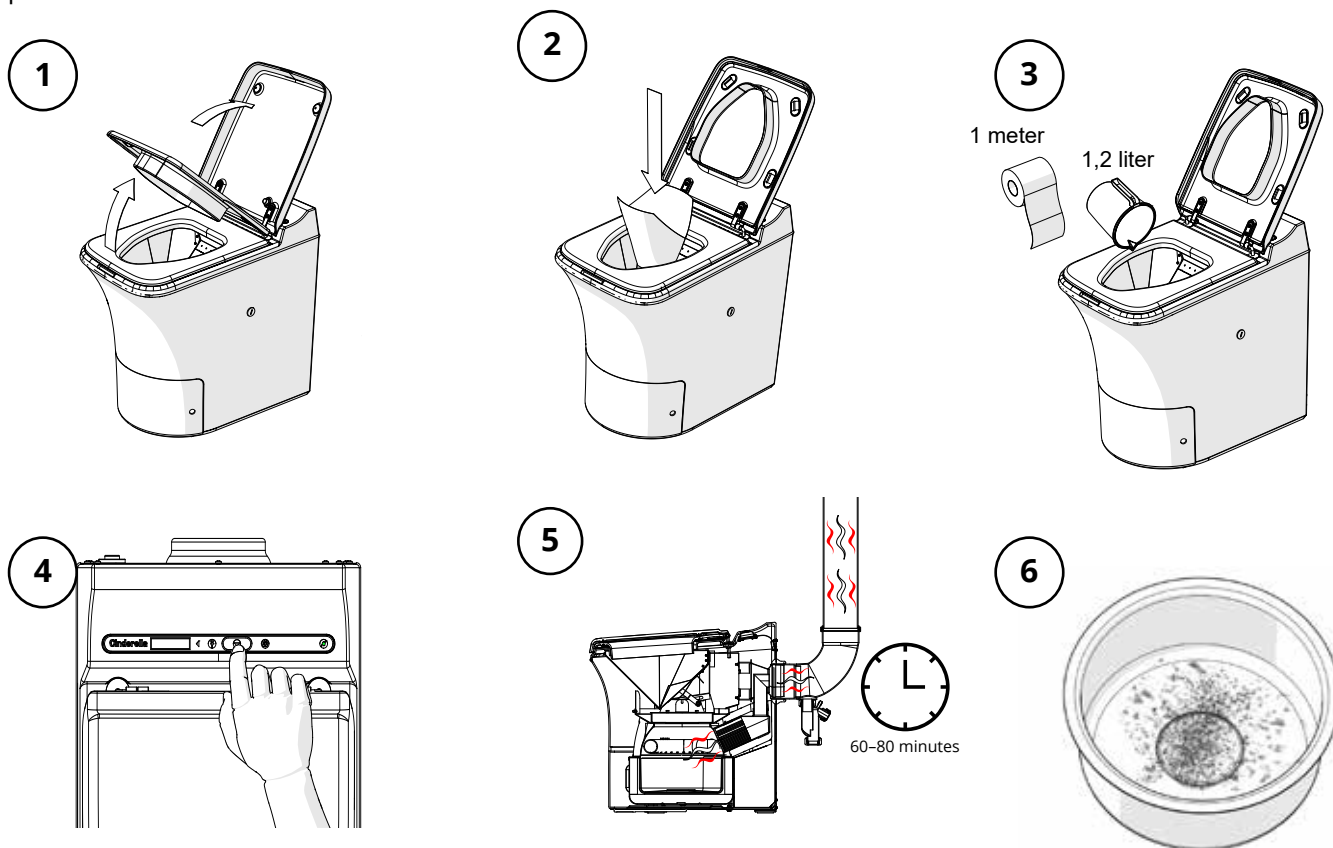
2.8 LISTE DE CONTRÔLE POUR VÉRIFIER L'INSTALLATION COMPLÈTE

POINTS DE CONTRÔLE	CONFORMITÉ
La tension est conforme à la plaque signalétique des toilettes	
La pression en gaz est conforme à la plaque signalétique des toilettes	
Les toilettes sont installées conformément à la fiche technique du fabricant	
Le tuyau de cheminée vertical est installé conformément à la fiche technique du fabricant	
La sortie de cheminée est au minimum à 600 mm au-dessus de la surface du toit	
Un « siphon » de purge sûr est installé là où la condensation est susceptible de s'accumuler	
Les tuyaux de cheminée sont installés conformément à la fiche technique du fabricant	
Le chapeau de cheminée est installé conformément à la fiche technique du fabricant	
L'admission d'air est installée conformément à la fiche technique du fabricant	

2.9 TEST DE PERFORMANCE POUR VÉRIFIER LE BON FONCTIONNEMENT DU SYSTÈME

En appuyant sur la touche « Start », le cycle d'incinération est enclenché. Le temps d'incinération estimé pour le test est de 60 à 80 minutes environ. Le voyant jaune s'allume lorsque l'incinération est en cours, et le test complet doit se terminer sans aucune indication de défaut ni d'interruption du système. Les toilettes doivent refroidir jusqu'à ce que le ventilateur s'arrête, avant de pouvoir retirer la boîte à cendres. La phase de refroidissement dure en 60 et 90 minutes en fonction de la température ambiante.

Il ne devrait rester que de la fine poussière blanche. Si les résidus sont différents ou que l'incinération dure plus de 90 minutes, cela peut être un signe de colmatage dans le tuyau de cheminée ou un manque d'oxygène. Vérifiez que l'installation est conforme à la fiche technique du fabricant, telle que présentée à la section 2 du présent manuel.



ATTENTION !

La boîte à cendres sera très chaude durant l'incinération. Attendez que les toilettes ne soient complètement refroidies et le ventilateur arrêté avant de retirer pas le panneau avant.



REMARQUE !

- Le test de performance est conçu pour être réalisé lorsque les toilettes n'ont pas été utilisées. Les résultats peuvent varier lors de l'exécution de ce test sur des toilettes usagées.

3. SECTION DE L'UTILISATEUR

3.1 UTILISATION PRÉVUE ET MANIPULATION

Les toilettes Cinderella Freedom sont destinées à une installation intérieure et dans les habitations de loisirs telles que les chalets, les résidences secondaires, les toilettes extérieures, les unités pour logements sociaux, les hangars à bateaux et les pool houses. Ces toilettes sont conçues uniquement pour incinérer les déchets biologiques et produits sanitaires de petite taille tels que le papier toilette et les lingettes démaquillantes ou pour bébé ne contenant pas d'alcool. L'utilisation des toilettes Cinderella Freedom pour incinérer autre chose constituerait une mauvaise utilisation et invaliderait votre garantie.

Ne mettez pas les articles suivants dans les toilettes :

- Quantité excessive de papier de tous genres
- Produits de nettoyage à base de chlore
- Lingettes à base d'alcool
- Journaux
- Serviettes en papier
- Liquides ou matériaux inflammables
- Briquets
- Cigarettes ou cigares
- Essence
- Boissons alcoolisées et liqueurs
- Alcool et alcool à brûler
- Dissolvant pour vernis à ongles
- Essence à briquet
- Huile de lampe / kérosène
- Bombes aérosol
- Bouteilles et boîtes en verre ou en plastique, etc.

3.2 SÉCURITÉ GÉNÉRALE



DANGER !

- N'utilisez pas les toilettes à incinération en cas de dommages visibles.
- Si le câble d'alimentation est endommagé, il doit être remplacé par le fabricant, le service après-vente ou tout autre personne qualifiée afin de prévenir tout risque pour la sécurité.
- Seul un professionnel qualifié est en mesure de réparer les toilettes. Toute réparation non autorisée peut provoquer un danger considérable ou endommager les toilettes.
- Le nettoyage et l'entretien courant ne doivent pas être effectués par des enfants sans supervision.
- N'utilisez pas de substances explosives ni de produits de nettoyage inflammables lors de l'entretien des toilettes.

3.3 RÈGLES DE SÉCURITÉ POUR UN FONCTIONNEMENT AU GAZ



DANGER !

- N'utilisez jamais une flamme non protégée pour vérifier l'étanchéité des pièces et des tuyaux contenant du gaz, car cela présente un risque d'incendie ou d'explosion.
- En cas d'odeur de gaz :
 - Fermez le robinet d'arrivée de gaz et la soupape sur la bouteille.
 - Ouvrez toutes les fenêtres et sortez de la pièce.
 - N'actionnez aucun interrupteur électrique.
 - Éteignez toute flamme nue.
 - Faites vérifier l'installation de gaz par un spécialiste.

3.4 FONCTIONNEMENT EN TOUTE SÉCURITÉ



ATTENTION !

- La boîte à cendres des toilettes deviendra très chaude pendant l'utilisation. Vérifiez que le couvercle de sécurité est en place lors de l'utilisation des toilettes. Attendez que les toilettes soient complètement refroidies avant de vider la boîte à cendres.
- Le siège n'est pas équipé d'une fonction de fermeture amortie. Prenez donc soin de ne pas laisser tomber l'abattant sur vos mains ou vos doigts.

3.5 DISPOSITIFS DE SÉCURITÉ DES TOILETTES CINDERELLA FREEDOM

- L'incinération ne s'effectuera pas si l'abattant est relevé. L'incinération ne démarrera pas avant que le siège et l'abattant soient baissés.
- Le panneau de la chambre d'incinération NE DOIT PAS rester ouvert lorsque les toilettes sont encore chaudes (par ex. durant le nettoyage). Ce panneau ne peut être ouvert que si les toilettes ont refroidi et le ventilateur s'est arrêté.

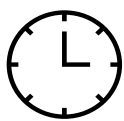
- En cas de problème de ventilation et si la température interne des toilettes dépasse 105 °C, l'incinération s'arrêtera et un message d'avertissement s'affichera. Cette situation requiert une réinitialisation manuelle afin de résoudre les problèmes de ventilation avant de pouvoir utiliser les toilettes à nouveau.
- Si la boîte à cendres n'est pas remise en place correctement après avoir été vidée, l'incinération ne démarre pas et un voyant lumineux ainsi qu'un message d'avertissement s'affichent.
- Si le mécanisme du panneau de la chambre d'incinération se coince ou ne peut se fermer correctement, l'incinération ne démarre pas et un message d'erreur s'affiche.
- Le logiciel intelligent des toilettes à incinération Cinderella dispose d'une fonctionnalité « sentinelle » qui permet de surveiller la température pendant que l'incinération a lieu. Si des écarts par rapport à la plage de température normale sont détectés, cela entraînera l'arrêt immédiat de l'incinération et l'affichage d'un message d'avertissement.

3.6 INFORMATIONS IMPORTANTES POUR L'UTILISATEUR



REMARQUE !

- Pensez toujours à placer un nouveau sac papier dans la cuvette avant chaque utilisation.
- L'abattant des toilettes doit toujours être baissé lorsque les toilettes ne sont pas utilisées. L'incinération ne démarrera pas ou s'arrêtera si l'abattant n'est pas baissé.
- L'incinération peut durer jusqu'à 3 heures après la toute dernière utilisation.
- Le ventilateur continue de fonctionner jusqu'à la fin de l'incinération et ce, jusqu'à ce que la température interne des toilettes retombe dans une plage de température normale. La phase de refroidissement peut durer plus de 120 minutes après l'incinération, en fonction de la température de l'air fourni pour le refroidissement.
- Vos toilettes Cinderella peuvent être utilisées à tout moment durant l'incinération ou le refroidissement. L'incinération est interrompue durant l'utilisation. Veillez à baisser l'abattant et appuyez sur « Start » à la fin de chaque utilisation.



Capacité : 4 personnes

Les toilettes Cinderella Freedom sont conçues pour gérer jusqu'à quatre utilisations par heure. Pour éviter toute surcharge, il est déconseillé de les utiliser plus de quatre fois par heure. La surcharge des toilettes, c'est-à-dire de nombreuses utilisations sur une courte période sans effectuer d'incinération, est susceptible d'entraîner des odeurs et des fuites et, par conséquent, de les endommager.



Fréquence de vidage

La capacité liquide totale du conteneur de déchets du système est de 5 litres. La boîte à cendres doit être vidée fréquemment (une fois par semaine) pour un fonctionnement optimal. Cela garantit une incinération plus efficace et une plus grande propreté du catalyseur.

Si votre boîte à cendres n'a pas été retirée (pour des vidanges hebdomadaires), vos toilettes Cinderella Freedom afficheront un message demandant de vider la boîte après 90 incinérations, et empêcheront toute utilisation ultérieure si la boîte n'est pas vidée après 120 utilisations. Nous recommandons de la vider aussi souvent que possible pour assurer une incinération plus efficace et empêcher l'usure du produit.

Il est impératif de vider la boîte à cendres lorsqu'elle est pleine, sinon les toilettes pourraient être endommagées et la garantie ne serait plus valide.



Préparation des toilettes pour une période prolongée de non-utilisation

En cas de période prolongée de non-utilisation, les déchets doivent être incinérés et la boîte à cendres vidée.



Courte période d'utilisation intensive

Si les toilettes doivent être utilisées par un nombre anormalement élevé d'invités pendant une courte période, veuillez suivre ces conseils :

1. Videz complètement la boîte à cendres avant l'arrivée des invités.
2. Préchauffez les toilettes avant l'utilisation en levant et en baissant l'abattant, et appuyez sur la touche « Start ».
3. Veillez à ce que les invités sachent comment utiliser correctement les sacs en papier et comprennent qu'ils doivent appuyer sur « Start » après chaque utilisation.
4. Vérifiez régulièrement que l'abattant est abaissé et que le voyant jaune d'incinération reste allumé.
5. Il vous faudra peut-être effectuer une ou deux incinérations supplémentaires avant de vider la boîte à cendres pour vous assurer que tous les déchets ont été intégralement incinérés.

3.7 PANNEAU DE COMMANDE

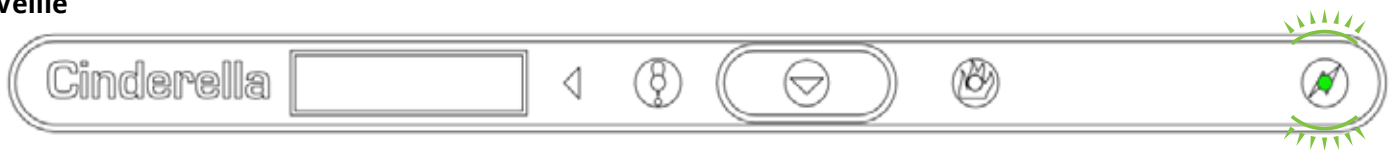
Le panneau de commande affiche des messages lumineux, sonores et écrits pour la meilleure expérience utilisateur possible. Différentes combinaisons de signaux lumineux et sonores indiquent à l'utilisateur l'état du système. Il est important que tous les utilisateurs se familiarisent avec ces signaux avant toute utilisation. Vous trouverez un résumé de tous les signaux lumineux et sonores dans le tableau de dépannage de la section 5.1.



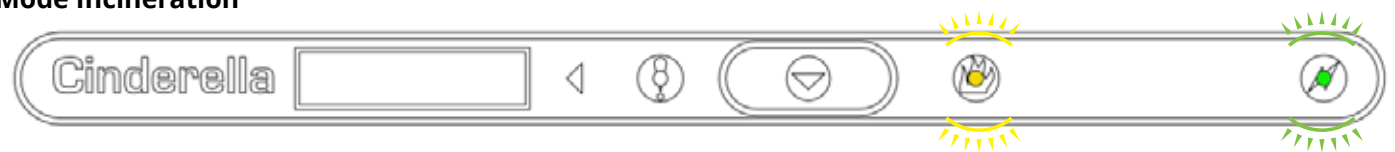
REMARQUE !

- Un voyant vert indique que les toilettes sont branchées au secteur. Lorsque seul le voyant vert est allumé, les toilettes sont en mode veille et prêtes à l'emploi.
- Un voyant jaune indique que l'incinération est en cours ; il reste allumé pendant que les toilettes sont en mode Incinération.
- Un voyant rouge indique une interruption et avertit l'utilisateur que l'incinération s'est arrêtée et que les toilettes ne sont plus en mode Veille.

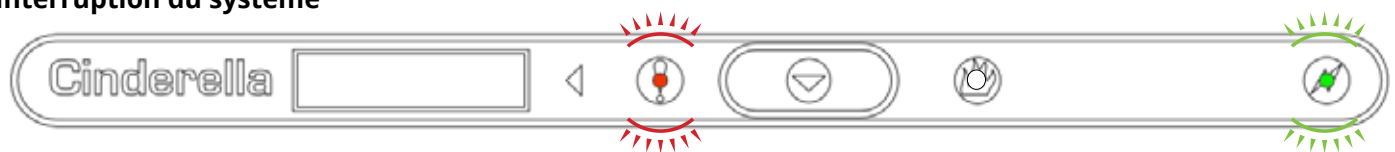
Veille



Mode Incinération



Interruption du système

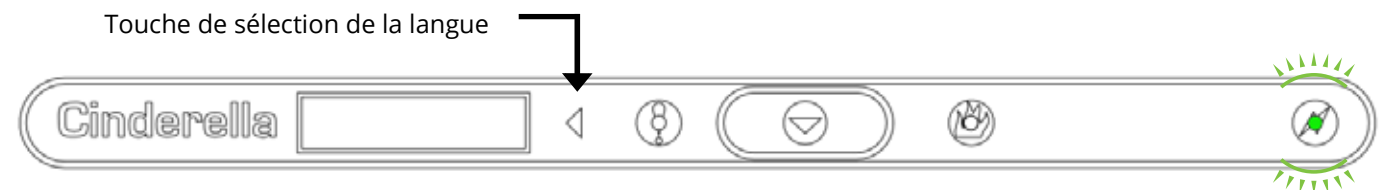


Sélection de la langue

Maintenez la touche de sélection de la langue enfoncée pendant trois secondes jusqu'à ce que le mot « Language » (Langue) s'affiche sur la première ligne.

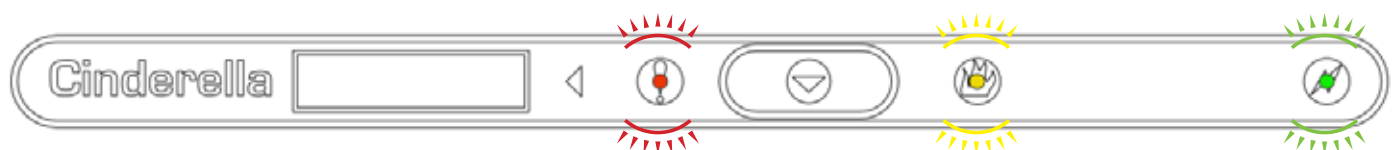
La langue actuelle s'affiche sur la deuxième ligne. Appuyez sur la touche de sélection de la langue à nouveau jusqu'à ce que la langue voulue s'affiche. La nouvelle langue sera automatiquement enregistrée quelques secondes après que vous l'ayez choisi et les toilettes reprendront leur fonctionnement.

Touche de sélection de la langue



Indicateur de vidange

Votre Cinderella Freedom indique quand il est temps de vider la boîte à cendres. L'écran affichera « VIDER LA BOÎTE À CENDRES » et vous entendrez trois bips courts lorsque l'abattant sera relevé. Si elles ne sont pas vidées après un certain nombre d'utilisations, les toilettes se verrouillent. À ce stade, les voyants jaune, rouge et vert sont constamment allumés et l'écran affiche « TOILETTES VÉROUILLÉES BOÎTE PLEINE ». Vous entendrez trois bips courts toutes les dix secondes jusqu'à ce que la boîte à cendres soit vidée.



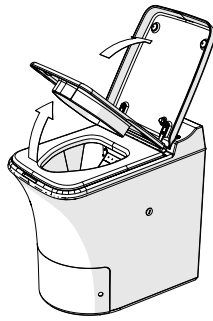
3.8 UTILISATION DES TOILETTES CINDERELLA FREEDOM

1



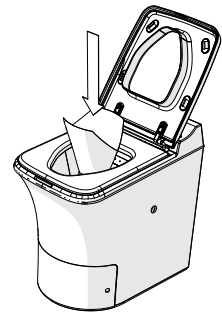
1. Vérifiez que le voyant vert du panneau de commande est allumé, ce qui indique que les toilettes sont sous tension et prêtes à l'emploi.

2



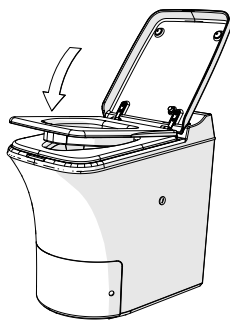
2. Levez l'abattant et le siège. Un voyant rouge commence à clignoter. Le ventilateur se met en marche.

3



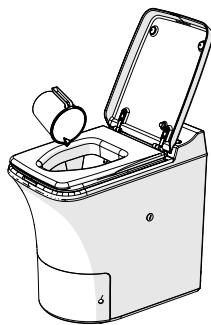
3. Placez un sac papier dans la cuvette. Utilisez un nouveau sac papier à chaque utilisation.

4



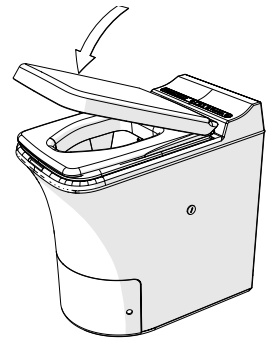
4. Baissez le siège. Les toilettes sont prêtes à l'emploi.

5



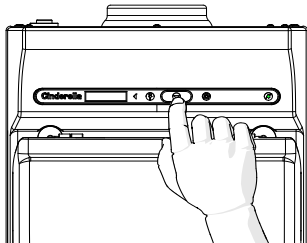
5. Utilisez les toilettes comme d'habitude. S'il y a peu de déchets, il peut s'avérer utile de verser un peu d'eau dans la cuvette pour ajouter du poids.

6



6. Baissez l'abattant.

7



7. Appuyez sur la touche « Start » pour faire tomber le sac et son contenu dans la chambre d'incinération. L'incinération commence dès que la trappe est refermée. Les toilettes sont maintenant prêtes pour la prochaine utilisation.

8



8. Un voyant jaune s'affiche en continu pendant l'incinération. Les toilettes peuvent être utilisées à tout moment. L'incinération est alors provisoirement interrompue. Le temps d'incinération varie en fonction du nombre d'utilisations et du volume des déchets.

3.9 MANIPULATION DU PANNEAU AVANT ET DE LA BOÎTE À CENDRES



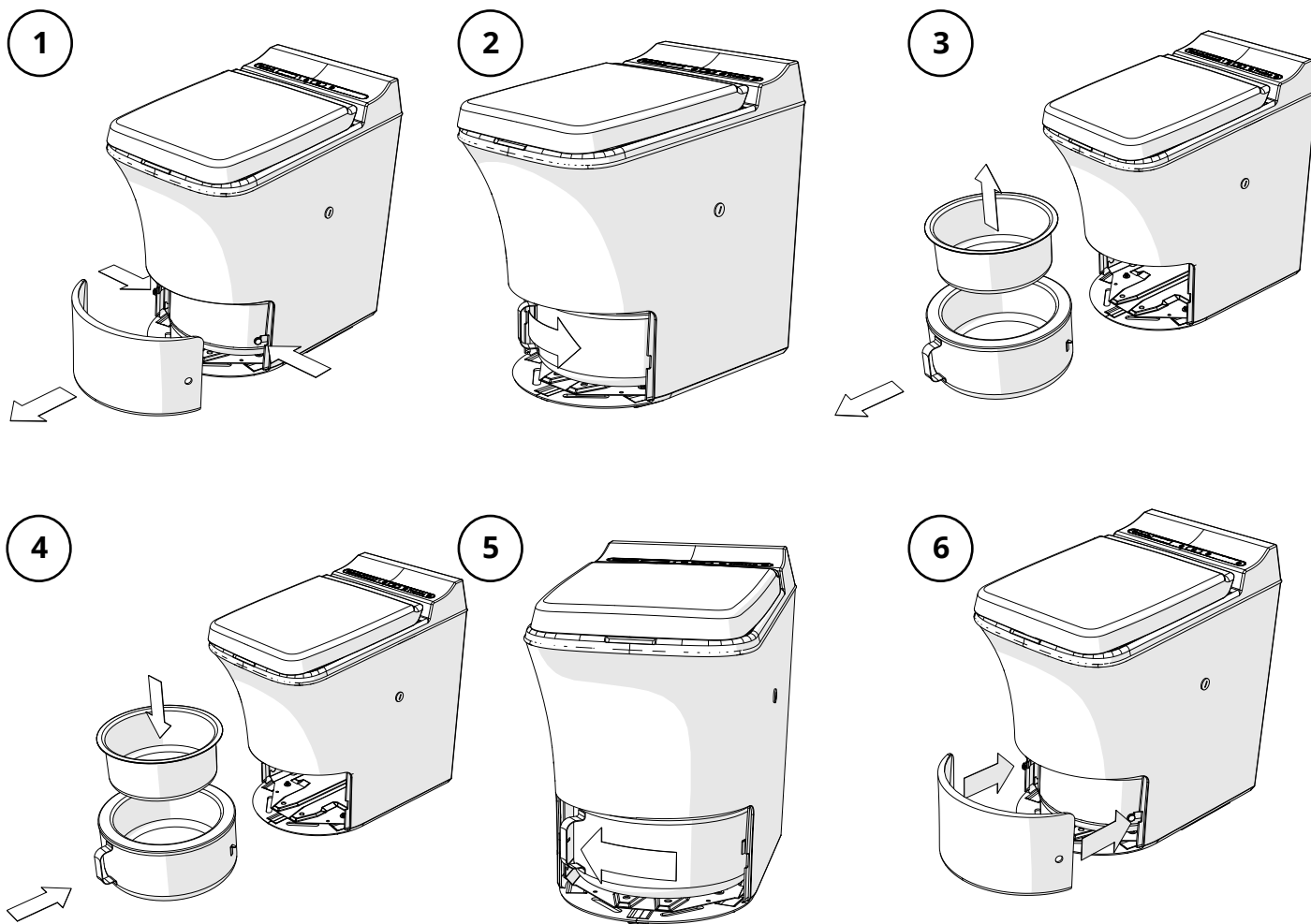
ATTENTION !

Manipulez la boîte à cendres uniquement lorsque les toilettes sont en mode veille ou ont suffisamment refroidi.



REMARQUE !

Veillez vous reporter à la section sur l'entretien pour consulter les instructions concernant le nettoyage et le vidage de la boîte à cendres.



4. ENTRETIEN GÉNÉRAL

Ce manuel comprend à la fois l'entretien à effectuer par le client et l'entretien à effectuer par des professionnels en fonction de l'expertise requise et des autorisations.

Un système de circulation d'air fiable est essentiel pour assurer le bon fonctionnement des toilettes. Les particules générées par l'incinération peuvent boucher le catalyseur et le tuyau d'échappement avec le temps. Il est donc important d'entretenir régulièrement ces éléments pour garantir le bon fonctionnement des toilettes.

Pour garantir le fonctionnement parfait et prolonger la durée de vie de votre Cinderella Freedom, veuillez prendre le temps d'effectuer un entretien préventif. De bonnes habitudes d'entretien diminuent les frais de fonctionnement et l'usure. Nous recommandons vivement à nos clients d'effectuer un entretien fréquent de la manière suivante :

1. Videz fréquemment les toilettes. Ne basez pas votre utilisation sur la limite maximale des toilettes.
2. Nettoyez toujours la boîte à cendres et remettez-la en place après vidage (cf. Section 4.2.1).
3. Effectuez toujours un nettoyage à la vapeur après utilisation de chaque boîte de sacs papier (500 utilisations), de préférence après chaque vidage et lavage de la boîte à cendres (cf. Section 4.2.2).
4. Prenez toujours soin de noter les caractéristiques des résidus lorsque vous videz les toilettes. Tout écart par rapport aux résidus normaux peut indiquer la nécessité de procéder à l'entretien ou la maintenance du produit (cf. Section 4.1).

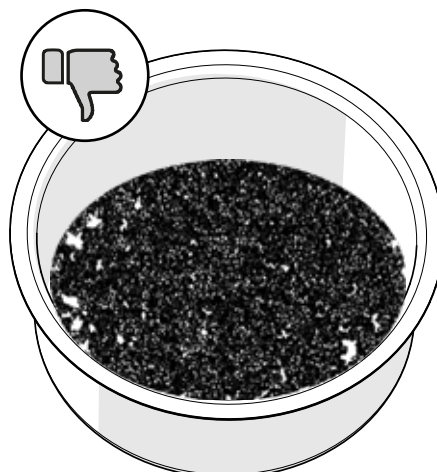
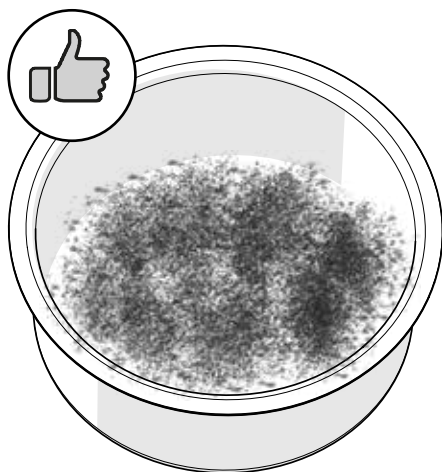


ATTENTION !

Avant l'entretien, vérifiez toujours que les toilettes ne sont pas en mode Incinération et qu'elles ont suffisamment refroidi.

4.1 CARACTÉRISTIQUES DES RÉSIDUS

Les déchets résiduels, ou « cendres », sont constitués de résidus insalubres, de sels et de minéraux, et se présentent souvent sous forme de particules dures et cristallisées. Ils ne doivent comprendre aucune trace de visible de papier ou de couches lamellaires de déchets non brûlés. Les cendres doivent être composées d'un mélange de particules blanches et gris foncé. En cas de dépôt plus important de déchets noirs non brûlés, d'humidité ou de papier lors de la vidange des toilettes, veuillez procéder à une incinération supplémentaire sans insérer de papier ni d'eau. Lorsque l'incinération est terminée, videz la boîte à cendres et effectuez l'entretien comme indiqué dans ce manuel.

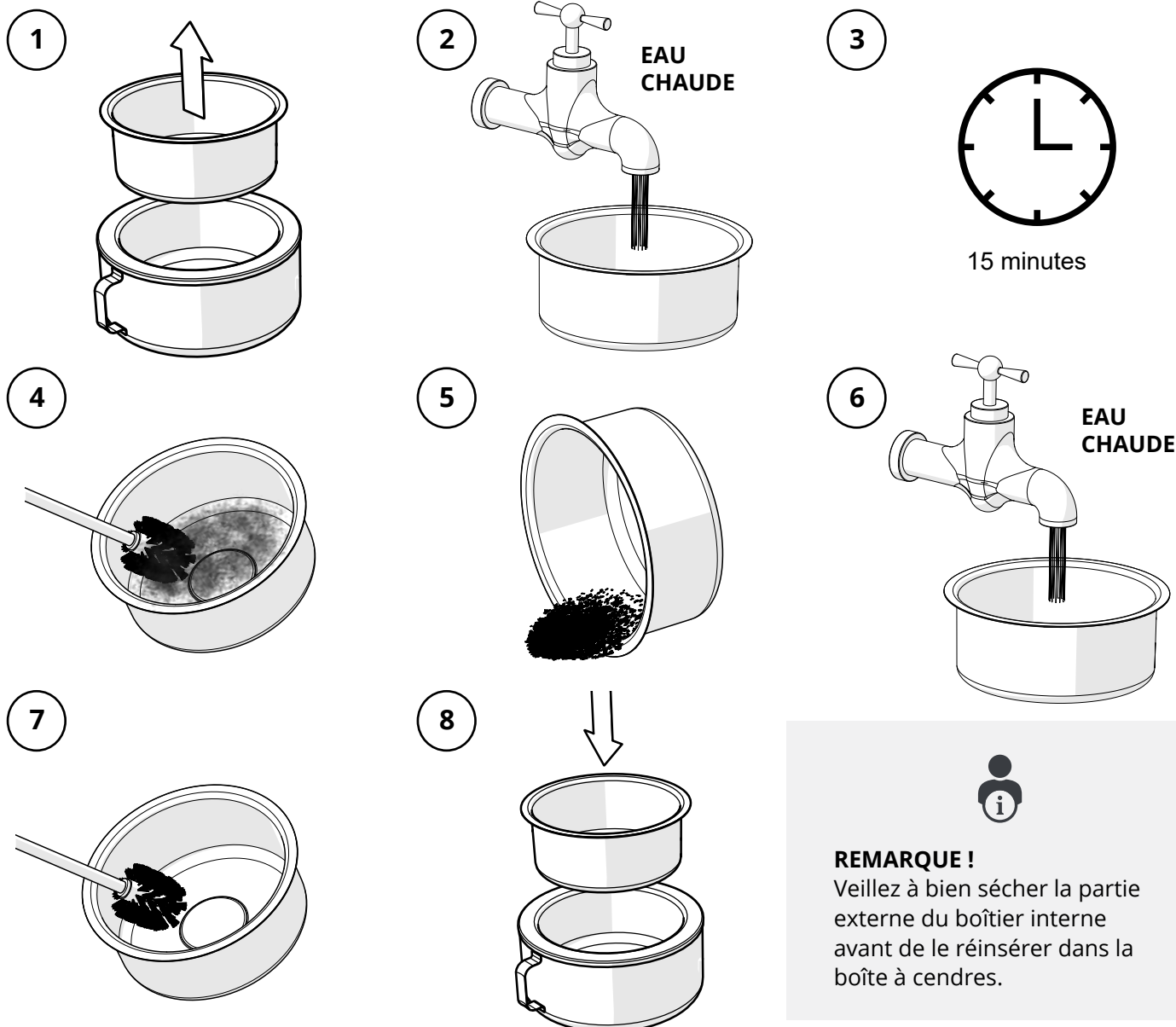


AVERTISSEMENT !

- Les cendres ne doivent pas être utilisées comme engrais ou compost. Veuillez les jeter avec vos ordures ménagères conformément aux directives publiques en vigueur.
- Le reste des cendres est exempt de germes et peut être manipulé en toute sécurité lorsqu'elles sont de couleur claire. Si les cendres sont noires et de grosse taille, ou si l'incinération est partielle, démarrez une nouvelle incinération pour que les cendres soient incinérées intégralement. Si le problème persiste, consultez la section de dépannage pour plus de conseils.

4.2 ENTRETIEN EFFECTUÉ PAR LE CLIENT

4.2.1 VIDAGE ET NETTOYAGE DE LA BOÎTE À CENDRES



AVERTISSEMENT !

N'utilisez pas d'outils ni d'objets pointus pour nettoyer le boîtier interne, cela pourrait l'endommager et diminuer sa durée de vie.



REMARQUE !

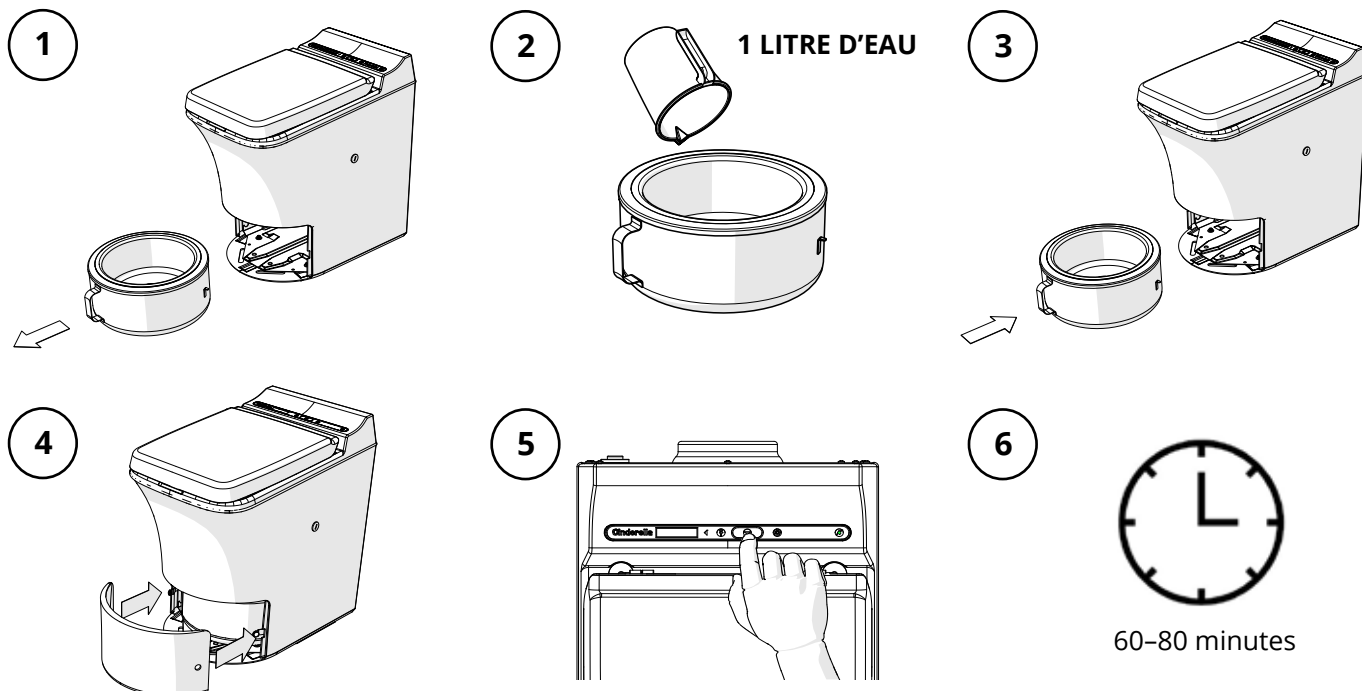
- Afin de garantir le fonctionnement optimal de vos toilettes, nous vous recommandons d'effectuer la procédure de « nettoyage à la vapeur » conformément à la section 4.2.2 chaque fois que vous videz et lavez le boîtier interne. Cela permet d'éviter l'accumulation éventuelle de dépôts noirs et indésirables dans le catalyseur et le système d'échappement des toilettes.
- Lorsque vous videz les toilettes, veillez à ce qu'elles soient branchées au secteur. Si vous videz les toilettes lorsqu'elles sont débranchées, le système ne pourra pas réinitialiser le compteur d'utilisations.

4.2.2 NETTOYAGE À LA VAPEUR DU CATALYSEUR

Fréquence recommandée : Lors du vidage de la boîte à cendres ou au moins toutes les 500 utilisations. Pour effectuer le nettoyage à la vapeur :

1. Vérifiez que les toilettes sont froides et que la boîte à cendres est vide et propre (cf. Section 4.2.1).
2. Retirez le panneau avant, puis sortez la boîte à cendres.
3. Versez environ 1 litre d'eau propre dans le boîtier interne des toilettes.

4. Remplacez la boîte à cendres en prenant soin de ne pas renverser d'eau, puis remettez le panneau avant en place.
5. Relevez l'abattant pour vérifier que le ventilateur commence à tourner.
6. Appuyez sur la touche « Start » pour démarrer l'incinération.
7. L'eau commencera à bouillir et la vapeur éliminera tout débris se trouvant dans le catalyseur. Ce nettoyage du système dure généralement entre 60 et 80 minutes.



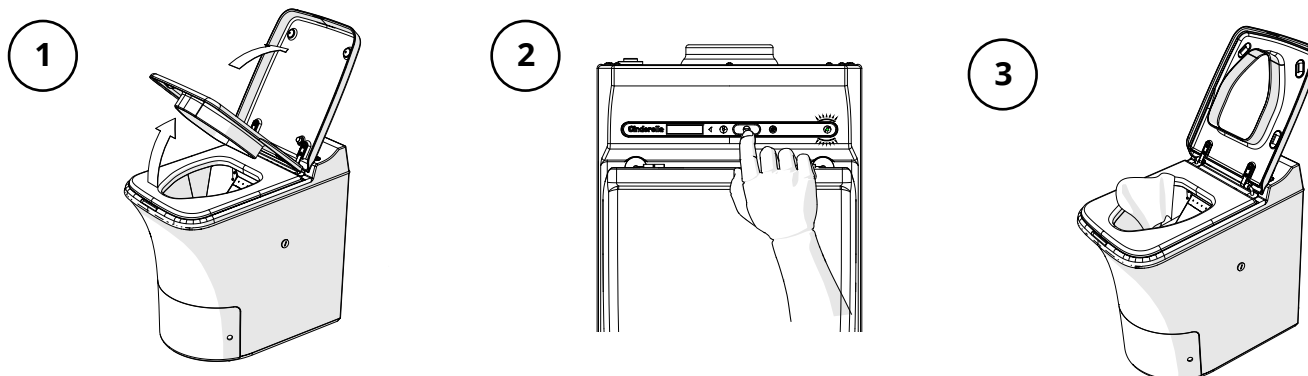
REMARQUE !

N'utilisez pas les toilettes pendant l'entretien car cela nuirait au nettoyage. Vous pouvez utiliser les toilettes lorsqu'elles sont de nouveau en mode Veille.

4.2.3 NETTOYAGE DE LA CUVETTE

Fréquence recommandée : lorsque cela est nécessaire pour assurer la propreté et lors du vidage de la boîte à cendres. Nettoyage de la cuvette :

1. Relevez l'abattant.
2. Appuyez sur la touche « Start » et maintenez-la enfoncée pendant 3 secondes pour ouvrir le panneau en position de lavage.
3. Utilisez du papier humidifié, de l'eau et un produit nettoyant doux selon les besoins. Baissez l'abattant, puis démarrez l'incinération.



DANGER !

N'utilisez pas de produits nettoyants inflammables pour nettoyer la cuvette. Certains bords métalliques peuvent être coupants. Les toilettes doivent être refroidies et en mode Veille avant de nettoyer la cuvette.



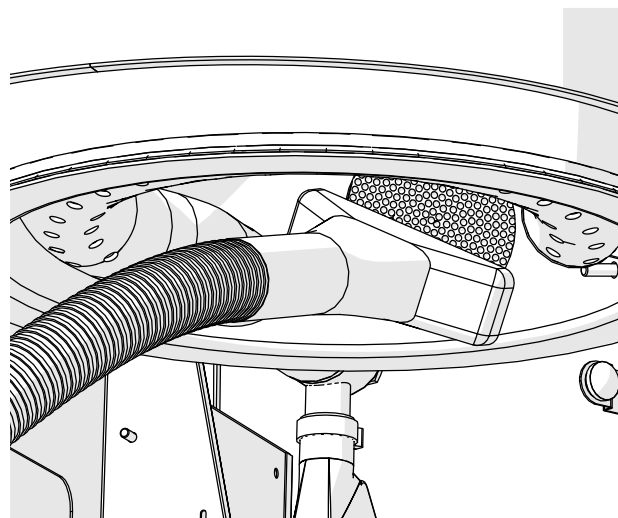
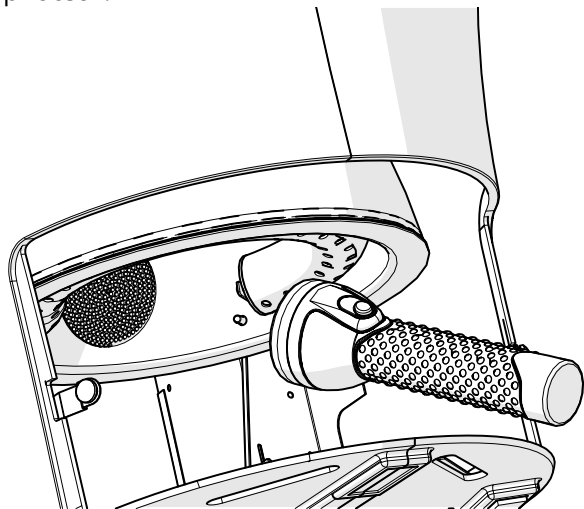
AVERTISSEMENT !

N'utilisez pas de produits nettoyants à base de chlore pour nettoyer la cuvette. Le chlore peut endommager le catalyseur et empêcher son bon fonctionnement s'il est utilisé pour nettoyer les toilettes.

4.2.4 INSPECTION ET NETTOYAGE DU CATALYSEUR À L'AIDE D'UN ASPIRATEUR

Fréquence recommandée : Toutes les 500 utilisations.

Le catalyseur est le conduit d'air primaire entre la chambre d'incinération et le point d'entrée du tuyau de cheminée. Toute accumulation de particules dans le catalyseur réduit le débit et l'efficacité des toilettes. Il est important de vérifier que le catalyseur est toujours ouvert. Toute modification du temps d'incinération et/ou de l'efficacité de l'incinération peut être due à une conversion catalytique dense. La meilleure façon de nettoyer le catalyseur facilement est de procéder à un « nettoyage à la vapeur » comme indiqué à la section 4.2.2. Vous pouvez également inspecter la partie avant du catalyseur en retirant la boîte à cendres, puis en éclairant l'intérieur de la chambre à incinération. Toutes les particules et accumulations peuvent être enlevées à l'aide d'un aspirateur.



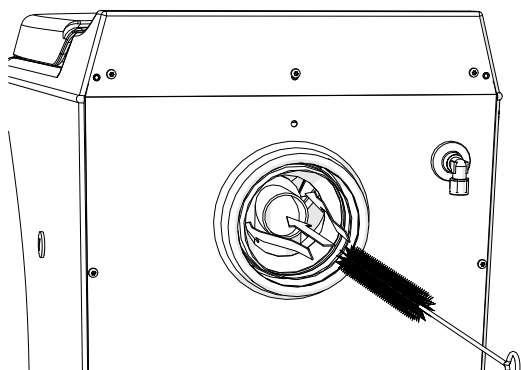
REMARQUE !

Tout signe évident de corrosion ou de déformation du convertisseur catalytique indique que ce dernier doit être remplacé. Veuillez contacter votre prestataire de services local pour un entretien.

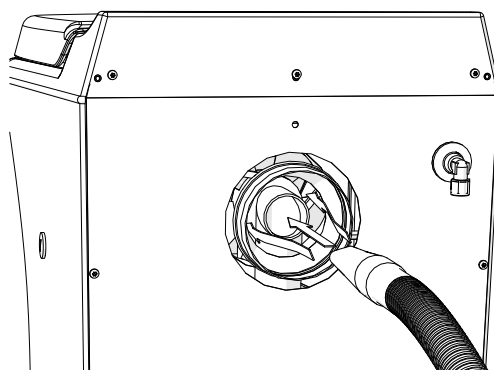
4.2.5 NETTOYAGE DU RACCORD DU TUYAU DE LA CHEMINÉE

Fréquence recommandée : au moins toutes les 500 utilisations.

1. Les toilettes doivent être débranchées et du tuyau de cheminée et de la source d'alimentation.
2. Nettoyez le raccord du tuyau avec une brosse souple. Il est important de nettoyer à la fois le tuyau d'échappement et le venturi qui l'entoure, jusqu'aux pales du ventilateur, afin d'obtenir un débit d'air suffisant.
3. Retirez la boîte à cendres et nettoyez les débris présents.
4. Utilisez un aspirateur pour éliminer les débris restants dans le tuyau d'échappement et le catalyseur.
5. Raccordez les toilettes au tuyau de cheminée et à l'alimentation électrique.
6. Installez la boîte à cendres et le panneau avant.
7. Nous recommandons d'effectuer un nettoyage à la vapeur comme décrit à la section 4.2.2 après avoir procédé à l'entretien du raccord du tuyau de cheminée.



NETTOYEZ LE TUYAU D'ÉCHAPPEMENT ET LE VENTURI.

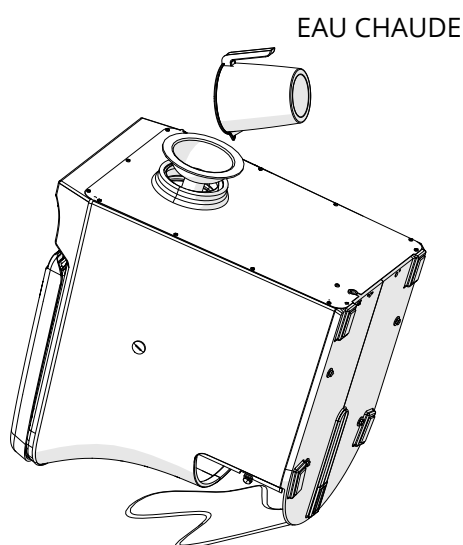


ASPIREZ LE TUYAU D'ÉCHAPPEMENT ET LE VENTURI À L'AIDE D'UN ASPIRATEUR.

4.2.6 RINÇAGE DU CATALYSEUR À L'EAU CHAUDE

Un rinçage à l'eau du catalyseur peut s'avérer nécessaire si le nettoyage à la vapeur ne parvient pas à éliminer les particules ou les mauvaises odeurs. Cette procédure nécessite de soulever des objets lourds et de disposer d'un endroit où il est possible de déverser de l'eau. Veillez à effectuer les étapes 1 à 4 de la procédure « Nettoyage du raccord du tuyau de la cheminée », puis suivez les étapes suivantes :

1. Placez les toilettes là où il est acceptable de renverser de l'eau, par exemple à un endroit disposant d'une canalisation appropriée, à l'extérieur ou dans une baignoire. Utilisez l'entonnoir Cinderella spécialement conçu à cet effet, ou un entonnoir adapté au tuyau d'échappement. Inclinez les toilettes vers l'avant, puis versez 2 à 3 litres d'eau chaude dans le tuyau d'échappement et le catalyseur. L'eau excédentaire doit être propre à la fin de la procédure de rinçage. Si nécessaire, utilisez davantage d'eau pour nettoyer correctement le système.
2. Répétez l'étape 1 quatre à cinq fois jusqu'à ce que l'eau soit propre et qu'aucun cristal ou autre obstruction ne puisse être repérée lors de l'inspection du catalyseur (cf. Section 4.2.4).
3. Raccordez les toilettes au tuyau de cheminée et à l'alimentation électrique.
4. Installez la boîte à cendres et le panneau avant.
5. Réalisez un test de performance comme indiqué à la section 2.8.



REMARQUE !

Avant de débrancher les toilettes et de rincer le système à l'eau chaude, inspectez le convertisseur catalytique et effectuez un nettoyage à la vapeur conformément à la section 4.2.2. Si le catalyseur est toujours bouché ou si vous sentez toujours une odeur lors de l'incinération, effectuez le rinçage du système conformément à la section 4.2.6.



AVERTISSEMENT !

L'avant de la coque extérieure est mince et ne doit donc pas supporter tout le poids des toilettes. Inclinez doucement l'appareil et assurez-vous que les toilettes sont placées de manière à protéger la coque des toilettes. Il est conseillé d'effectuer cette opération à deux personnes, l'une tenant les toilettes pendant que l'autre rince le catalyseur.

5. DÉPANNAGE ET FAQ



ATTENTION !

L'entretien doit être effectué dans le respect de toutes les normes nationales, municipales et régionales. En cas d'incertitude concernant les réglementations applicables dans votre région, veuillez contacter votre concessionnaire le plus proche ou un représentant pour de plus amples informations. Les toilettes doivent être débranchées du secteur pour toutes les opérations d'entretien et de maintenance.

Guide de dépannage en ligne

Les signaux sonores et lumineux du panneau de commande des toilettes indiquent l'état de fonctionnement de celles-ci. Les temps d'arrêt et les défaillances des toilettes seront signalés par divers signaux sonores et lumineux, comme le décrit la section 5.1 de ce manuel. Nous avons répertorié les erreurs et les problèmes les plus courants dans un guide de dépannage en ligne, afin que vous puissiez facilement obtenir des réponses à vos questions et des suggestions sur la manière de résoudre vous-même le problème.

À cours de gaz

Si l'incinération n'est pas effectuée correctement et qu'un voyant jaune clignotant s'affiche, cela peut indiquer que le réservoir de propane est vide et qu'il doit être rempli ou remplacé.

Réinitialisation du système des toilettes

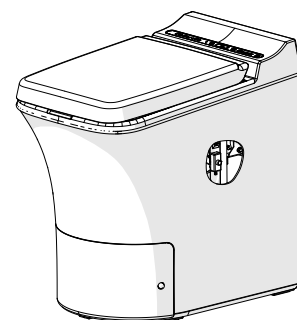
Pendant le nettoyage et le dépannage, il peut s'avérer utile de réinitialiser le circuit électronique. Vous pouvez le faire en appuyant sur la touche « Start ». Vous entendrez un bip court. Maintenez la touche enfoncée pendant 8 secondes environ, jusqu'à l'émission d'un bip long, puis relâchez la touche.

Messages d'erreur

Si les voyants clignotent, cherchez-en la raison et résolvez le problème avant d'utiliser les toilettes. En cas de dysfonctionnement, par exemple, en cas d'odeurs, d'incinération incomplète ou de pannes du système, agissez immédiatement afin d'éviter tous dommages et frais de réparation superflus.

Thermostat bimétallique déclenché

Le thermostat bimétallique se déclenche si la température interne des toilettes est trop élevée. Cela se produit généralement s'il y a une mauvaise circulation de l'air, ou en cas de colmatage dans la partie admission ou évacuation de l'installation. Par conséquent, il est important de vérifier que l'admission d'air est conforme aux spécifications, et que le tuyau de la cheminée est ouvert et non obstrué. Procédez à un examen visuel du catalyseur et effectuez la procédure de nettoyage à la vapeur conformément à la section 4.2.2. Pour réinitialiser le thermostat, dévissez la vis en plastique située sur le côté des toilettes, appuyez sur la touche, puis remettez la vis en place.



En cas de coupure de courant

Si l'incinération est en cours au moment où a lieu une coupure de courant, il se peut que vous sentiez temporairement des odeurs émanant des toilettes à l'intérieur, et que de la fumée et des odeurs s'échappent par le tuyau de cheminée à l'extérieur. Comme l'incinération ne redémarre pas automatiquement lorsque le courant est rétabli, vous devez lancer manuellement une nouvelle incinération. Si la coupure risque de durer plus de deux heures, il est important de vider tous les déchets des toilettes pour éviter tout dommage s'ils y restaient pendant une période prolongée. N'utilisez jamais les toilettes pendant une coupure de courant.

Odeurs dans la pièce

Elles peuvent être attribuées à plusieurs causes :

1. Le fait de ne pas avoir placé un sac papier à chaque utilisation des toilettes ou à une utilisation incorrecte du sac.
2. La circulation de l'air est peut-être bloquée. Inspectez le tuyau et le chapeau de cheminée.
3. Vérifiez que l'installation a été réalisée conformément au manuel d'installation. Un colmatage trop important dans le tuyau de cheminée peut provoquer une contre-pression et des odeurs à l'intérieur.
4. Le tuyau d'échappement est peut-être obstrué. Cf. la section 4.3. 1.
5. Il se peut que le catalyseur soit encrassé. Cf. la section 4.3. 1.
6. Le tuyau d'évacuation n'est pas correctement fixé aux toilettes. Cf. la section 2.5. 1.

Odeurs à l'extérieur

Les raisons peuvent être les mêmes que pour les odeurs à l'intérieur de la pièce, ainsi que :

1. Le catalyseur n'a pas atteint la température de service. Lorsque les toilettes sont froides, il peut s'écouler quelques minutes avant que le catalyseur n'atteigne la température à laquelle il commence à fonctionner correctement.
2. Il se peut que le catalyseur soit corrodé ou déformé. Contactez votre service après-vente.

5.1 TABLEAU DE DÉPANNAGE



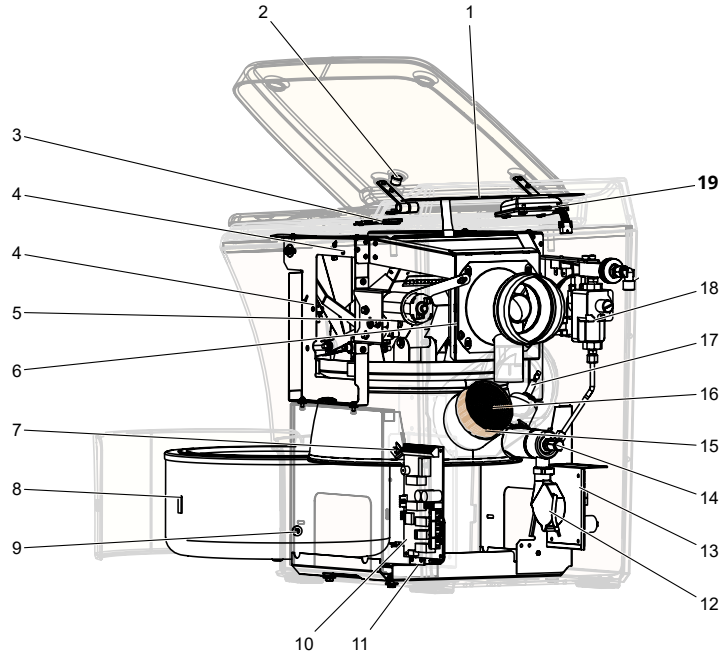
REMARQUE !

Cinderella a préparé un module de dépannage numérique qui est disponible sur notre site. Ce module sert de guide et de complément au tableau de dépannage. Veuillez visiter le site www.cinderellaeco.com.

ERREUR	MESSAGE AFFICHÉ	VOYANT ROUGE	VOYANT JAUNE	VOYANT VERT	SON	ACTIONS
La boîte à cendres a besoin d'être vidée	Videz la boîte à cendres.	CLIGNOTANT en alternance	CLIGNOTANT en alternance	CONTINU	3 BIPS	1 Retirez et videz la boîte à cendres. * Les toilettes doivent être branchées au 230 V.
La boîte à cendres a besoin d'être vidée. Toilettes verrouillées	Toilettes verrouillées boîte pleine	CONTINU	CONTINU	CONTINU	3 BIPS TOUTES LES 10 SECONDES	1 Retirez et videz la boîte à cendres. * Les toilettes doivent être branchées au 230 V.
Pas d'alimentation électrique	Écran vide	ÉTEINT	ÉTEINT	ÉTEINT		1 Vérifiez que les toilettes sont branchées au secteur en 230 V CA.
Erreur ventilateur	Erreur ventilateur	CLIGNOTANT	ÉTEINT	CLIGNOTANT	10 BIPS	1 Vérifiez que le ventilateur n'est pas obstrué et qu'il tourne correctement. 2 Réinitialisez les toilettes (maintenez la touche « Start » enfoncée). 3 Relevez l'abattant jusqu'à ce que le voyant rouge clignote, baissez l'abattant et appuyez sur « Start ». Si l'erreur persiste, appelez l'assistance technique.
Mauvais fonctionnement du mécanisme de la trappe	Erreur mécanisme trappe	CLIGNOTANT	ÉTEINT	CONTINU	10 BIPS	1 Si les toilettes sont chaudes, réinitialisez-les. 2 Relevez l'abattant jusqu'à ce que le voyant rouge clignote, baissez l'abattant et appuyez sur « Start ». 3 Si le problème persiste, réinitialisez les toilettes, insérez un sac papier, versez 3 tasses d'eau dans le sac, baissez l'abattant et appuyez sur « Start ». 4 Si le problème persiste, attendez que les toilettes aient refroidi (le ventilateur s'arrête) 5 Redémarrez les toilettes, relevez l'abattant lorsque la trappe s'ouvre. Retirez manuellement les choses coincées. Si le problème persiste, appelez l'assistance technique.
Boîte à cendres mal positionnée	Boîte hors position	CLIGNOTANT	CLIGNOTANT	CONTINU	3 BIPS	1 Ajustez la position de la boîte à cendres, faites-la tourner vers la gauche. 2 Vérifiez que la goupille de butée du boîtier est intacte. 3 Vérifiez visuellement l'état de l'aimant situé sur le boîtier. Si le problème persiste, appelez l'assistance technique.
Circuit de chauffage interrompu	Erreur du brûleur	ÉTEINT	CLIGNOTANT	CONTINU	BIPS CONTINUS	1 Réinitialisez les toilettes. 2 Vérifiez le thermostat bimétallique sur la droite des toilettes. Dévissez la prise grise et poussez le fusible avec le doigt : n'utilisez pas d'objet pointu. 3 Si le fusible s'est déclenché, vous entendrez un clic. Cf. la section 5. 4 Si ce n'était pas le fusible le problème, rebranchez les toilettes et essayez de les faire démarrer. Répétez l'opération deux ou trois fois. Si le problème persiste, appelez l'assistance technique.
Le capteur de l'abattant des toilettes s'est déclenché	Abattant ouvert	CLIGNOTANT	ÉTEINT	CONTINU	AUCUN	1 Vérifiez l'aimant situé à l'intérieur de l'abattant, puis baissez l'abattant. Si le problème persiste, appelez l'assistance technique.
Mauvais fonctionnement du capteur de température	Erreur capteur tempér	ÉTEINT	CLIGNOTANT	CLIGNOTANT	BIPS CONTINUS	1 Réinitialisez les toilettes. 2 Relevez l'abattant jusqu'à ce que le voyant rouge clignote, baissez l'abattant et appuyez sur « Start ». 3 Si le problème persiste, appelez l'assistance technique.
Message illisible/ pas de message affiché	Écran illisible/ vide					1 Débranchez les toilettes et attendez 5 minutes. 2 Rebranchez les toilettes et redémarrez-les. 3 Si le problème persiste, appelez l'assistance technique.

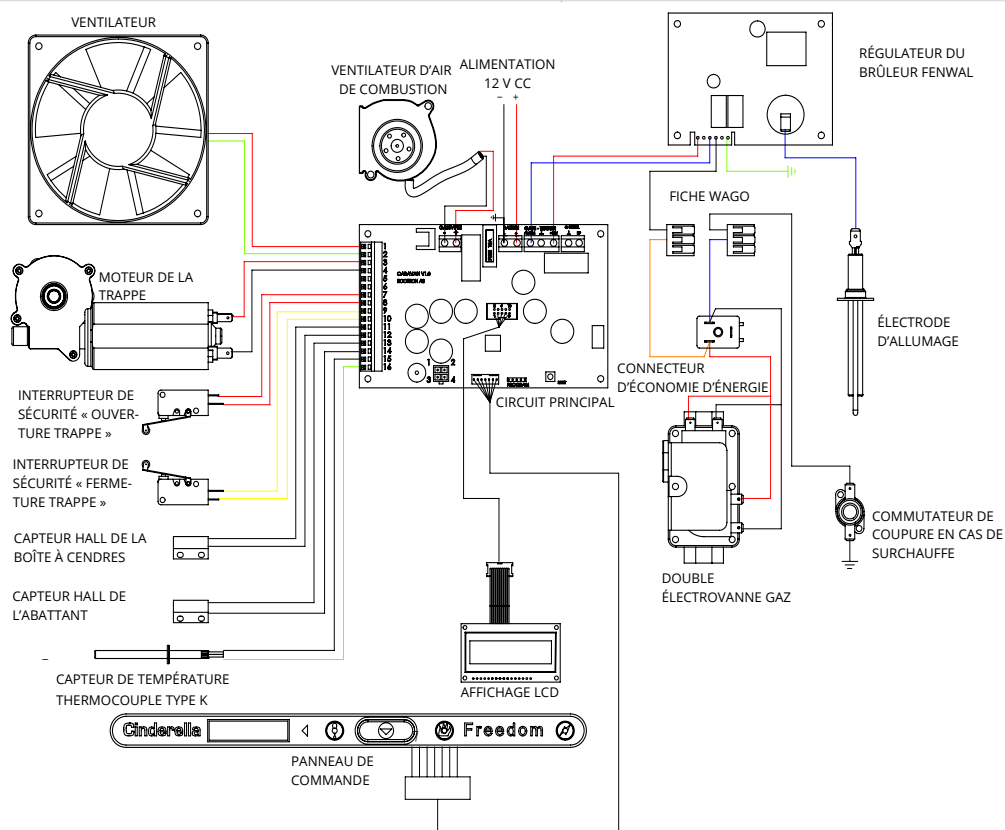
6. APRÈS-VENTE ET PIÈCES DE RECHANGE

6.1 LISTE DES PIÈCES DE RECHANGE



ID	DESCRIPTION	ART. N°	ID	DESCRIPTION	ART. N°
1	Panneau de commande	100981	11	Capteur Hall	100228
2	Aimant 14 X 10 mm	100433	12	Ventilateur centrifuge 51 x 51 x 51	100542
3	Capteur Hall avec câble et adhésif L=300 mm	100964	13	Boîtier d'allumage Fenwal	100424
4	Minirupteur	101127	14	Buse à gaz 8 pouces pour propane	101414
5	Moteur Nidec 12/24 V CC	101177	15	Isolant en tissu 275 x 90 x 2 mm	100163
6	Ventilateur axial 12 V CC 119 x 38 mm	100154	16	Catalyseur 90 x 75 mm	100528
7	Thermocouple	100831	17	Électrode d'allumage	100196
8	Butée 9 x 26 x 12 mm	100017	18	Contrôle du gaz - Maxitrol CV200	101224
9	Aimant 14 X 7 mm	100065	19	Affichage LED 65 x 36 x 13	100401
10	Circuit imprimé pour le gaz	100989			

6.2 SCHÉMA DU CÂBLAGE



7. Garantie

Portée de la garantie

Cette garantie couvre toute défectuosité de pièce ou de main-d'œuvre de vos toilettes à incinération Cinderella, sous réserve des exclusions suivantes et pour la période indiquée ci-après.

Exclusions

Cette garantie ne couvre pas l'usure normale ou tout dommage dû à un accident (y-compris les incendies, inondations, tempêtes ou catastrophes naturelles), à une utilisation incorrecte ou non conforme, à un non-respect des instructions du fabricant ou à un mauvais entretien. Les dommages indirects et accessoires ne sont pas couverts par la présente garantie. Cinderella Eco Group n'offre pas de garantie de type « intervention sur place ». Cela signifie que les toilettes doivent être transportées chez un prestataire de services agréé qui pourra procéder à l'entretien. Si cela n'est pas possible, le concessionnaire peut facturer les frais de transport ou de déplacement.

Durée de la garantie

Cette garantie est valable pour une durée de trois (3) ans à compter de la date d'achat pour les clients ordinaires. Les utilisateurs professionnels bénéficient d'une garantie de un (1) an.

Comment procédera Cinderella Eco Group ?

En cas de réclamation valable dans le cadre de cette garantie, Cinderella Eco Group réparera, remplacera ou remboursera vos toilettes à incinération Cinderella, à son entière discrétion.

Comment prendre rendez-vous pour l'entretien

Pour fixer un rendez-vous pour l'entretien, veuillez contacter votre concessionnaire ou un prestataire de service agréé dans votre pays. Les options disponibles dépendent du pays dans lequel l'entretien doit se dérouler.

Vous devez fournir une preuve d'achat pour toute réclamation dans le cadre de cette garantie. Pour de plus amples renseignements concernant la garantie, veuillez vous reporter à notre site : www.cinderellaeco.com

Cinderella Eco Group AS

Sjøvikvegen 67, NO-6475 Midsund, Norvège
www.cinderellaeco.com

ÍNDICE

1. PRESENTACIÓN GENERAL	3
1.1 INTRODUCCIÓN	3
1.2 APLICACIÓN DE CONFORMIDAD CON LAS NORMATIVAS	3
1.3 INSTRUCCIONES DE FUNCIONAMIENTO	3
1.4 LIMITACIÓN DE RESPONSABILIDAD	3
1.5 REGISTROS Y CERTIFICACIONES	3
1.6 REQUISITOS AMBIENTALES	3
1.7 INSTRUCCIONES GENERALES DE SEGURIDAD	4
1.8 PLACA DE TIPO DEL DISPOSITIVO	5
1.9 CINDERELLA ONLINE	5
2. INSTALACIÓN	6
2.1 DESEMBALAR EL ASEO INCINERADOR CINDERELLA	6
2.2 ESPECIFICACIONES DE MEDIDAS	6
2.3 PAQUETES ORIGINALES DE INSTALACIÓN PARA EL INODORO CINDERELLA	7
2.4 ESPECIFICACIONES DE LA INSTALACIÓN	8
2.4.1 ESPECIFICACIONES DE PIEZAS Y MATERIALES	8
2.5 INSTALAR EL ASEO INCINERADOR CINDERELLA	8
2.5.1 INSTALAR LAS TUBERÍAS DE SALIDA	9
2.5.2 PUNTO DE ENTRADA DE AIRE	10
2.5.3 INSTALAR LA TAPA DE SALIDA DE VENTILACIÓN ORIGINAL DE CINDERELLA	11
2.5.4 INSTALACIÓN DE GAS	11
2.6 ESPECIFICACIONES Y REQUISITOS ELÉCTRICOS	12
2.7 RETIRAR LA CORREA DE SEGURIDAD PARA EL TRANSPORTE	12
2.8 LISTA DE COMPROBACIONES PARA VERIFICAR LA INSTALACIÓN COMPLETA	13
2.9 PRUEBA DE RENDIMIENTO PARA VERIFICAR EL FUNCIONAMIENTO DEL SISTEMA	13
3. USUARIO	14
3.1 MANIPULACIÓN Y USO PREVISTOS	14
3.2 SEGURIDAD GENERAL	14
3.3 SEGURIDAD AL UTILIZAR GAS	14
3.4 UTILIZACIÓN SEGURA	14
3.5 FUNCIONES DE SEGURIDAD DE CINDERELLA FREEDOM	14
3.6 INFORMACIÓN IMPORTANTE PARA EL USUARIO	15
3.7 PANEL DE CONTROL	16
3.8 USAR EL INODORO CINDERELLA FREEDOM	17
3.9 MANIPULAR LA CUBIERTA FRONTAL Y EL RECIPIENTE DE CENIZAS	18
4. INSTRUCCIONES GENERALES DE MANTENIMIENTO	19
4.1 CARACTERÍSTICAS DEL PRODUCTO FINAL	19
4.2 MANTENIMIENTO POR PARTE DEL CLIENTE	20
4.2.1 VACIAR Y LIMPIAR EL RECIPIENTE DE CENIZAS	20
4.2.2 LIMPIAR CON VAPOR EL CATALIZADOR	20
4.2.3 LIMPIAR LA TAZA	21
4.2.4 INSPECCIONAR Y LIMPIAR CON ASPIRADORA EL CATALIZADOR	22
4.2.5 LIMPIAR LA SALIDA DE VENTILACIÓN DEL DISPOSITIVO	22
4.2.6 LIMPIAR EL CATALIZADOR CON AGUA CALIENTE	23
5. DETECCIÓN DE PROBLEMAS Y PREGUNTAS FRECUENTES	24
5.1 TABLA DE DETECCIÓN DE PROBLEMAS	25
6. REPARACIONES Y RECAMBIOS	26
6.1 LISTA DE RECAMBIOS	26
6.2 DIAGRAMA DE CONEXIONES	26
7. GARANTÍA	27

1. PRESENTACIÓN GENERAL

1.1 INTRODUCCIÓN

Es fundamental asegurar una ventilación apropiada de conformidad con las directrices de este manual para garantizar el funcionamiento de su nuevo inodoro Cinderella. Una instalación inadecuada puede provocar fallos, desgaste o malos olores y anular la garantía. Durante la instalación del dispositivo, deben respetarse las normativas técnicas y administrativas del país que corresponda.

1.2 APLICACIÓN DE CONFORMIDAD CON LAS NORMATIVAS

Este dispositivo está diseñado para incinerar residuos biológicos y productos sanitarios pequeños, como papel higiénico o toallitas faciales e infantiles sin alcohol. Este dispositivo no debe instalarse en un espacio móvil o portátil, como una casa rodante, un vehículo de ocio o una caravana.

1.3 INSTRUCCIONES DE FUNCIONAMIENTO

Lea atentamente este manual antes de la instalación y el primer uso. Guarde estas instrucciones en un lugar seguro para poder consultarlas cuando sea necesario. Si le entrega el producto a otra persona, incluya también este manual.

Estas instrucciones le ofrecen las directrices necesarias para instalar, manipular y mantener el producto apropiadamente. Es importante que tanto el instalador como el usuario se familiaricen con las instrucciones que recoge este manual. También contiene información sobre mantenimiento profesional y todos los datos necesarios para las revisiones y las reparaciones.

Una versión digital de este documento e información adicional se encuentran disponibles en www.cinderellaeco.com.

1.4 LIMITACIÓN DE RESPONSABILIDAD

El fabricante no se responsabiliza de ninguna forma de los daños producidos en los siguientes casos:

- Instalación defectuosa.
- Daños en el producto como resultado de un voltaje de conexión incorrecto.
- Alteraciones en el producto sin el expreso consentimiento del fabricante.
- Uso con fines distintos a los indicados en el manual de funcionamiento.
- Incumplimiento de las instrucciones de funcionamiento y mantenimiento.
- Aplicación no conforme con las disposiciones o las normativas.
- Uso de forros de taza o recambios no originales.

1.5 REGISTROS Y CERTIFICACIONES

El inodoro Cinderella Freedom ha sido sometido a ensayos exhaustivos por parte de DBI y SLG de conformidad con la normativa europea sobre compatibilidad electromagnética y seguridad de aparatos de gas.

1.6 REQUISITOS AMBIENTALES

- Rango de temperatura ambiente: de -20 a +40 °C.
- Altitud operativa: probado a 1500 m.



ATENCIÓN

Durante la instalación del inodoro Cinderella, la distancia mínima con respecto a una estructura inflamable debe ser de 50 mm desde los lados y de 50 mm desde la parte de atrás.

1.7 INSTRUCCIONES GENERALES DE SEGURIDAD



PELIGRO

Instrucción de seguridad: su incumplimiento podría provocar lesiones graves o mortales.



ADVERTENCIA

Instrucción de seguridad: su incumplimiento podría provocar lesiones.



ATENCIÓN

Su incumplimiento podría provocar daños materiales y afectar al funcionamiento del producto.



NOTA

Información adicional para el funcionamiento del producto.



PELIGRO

- No pulverice aerosoles en las proximidades del dispositivo mientras esté funcionando.
- No use ni almacene materiales inflamables en el dispositivo o cerca de él.
- No sitúe artículos sobre el dispositivo o contra él.
- No modifique el dispositivo.



- No utilice el aseo incinerador si presenta daños.
- Si el cable de corriente continua del inodoro está dañado, debe sustituirlo el fabricante, el servicio de atención al cliente o una persona con una cualificación similar con el fin de evitar riesgos para la seguridad.
- No use una llama expuesta para comprobar si las conexiones de gas del inodoro presentan fugas.
- Únicamente personal cualificado puede reparar este inodoro. Las reparaciones inadecuadas pueden provocar riesgos graves.
- Use únicamente gas licuado del petróleo (GLP).
- Solamente utilice el inodoro con la presión que muestra la placa de tipo, situada en la parte de atrás del dispositivo.



ADVERTENCIA





- Peligro de aplastamiento. No sitúe las manos en la bisagra ni en la parte inferior del asiento del inodoro mientras están abiertos, ya que la tapa y el asiento no incluyen una función de cierre suave.
- No vacíe el recipiente de cenizas si está caliente.
- Antes de activar el dispositivo, asegúrese de que el enchufe y la línea de suministro eléctrico están secos.



- Durante el transporte, únicamente sujete el inodoro por la estructura externa. No sujete el aseo por la conexión de gas, el cable de alimentación, la cubierta frontal, la tapa, el asiento o la salida de aire.
- Compruebe que las especificaciones de voltaje en la placa de tipo se corresponden con las del suministro eléctrico.
- Use únicamente cables de alimentación con una sección apropiada.
- Peligro de sobrecalentamiento. Asegúrese de que haya suficiente ventilación como para que el calor y las emisiones producidos durante la incineración se puedan disipar por el tubo de salida de aire. Asegúrese de que el flujo de aire en el sistema sea el apropiado. Asegúrese de que entre suficiente ventilación en el inodoro.
- Compruebe que el inodoro está suficientemente alejado de las paredes o de otros objetos como para que pueda circular el aire.

1.8 PLACA DE TIPO DEL DISPOSITIVO

La placa de tipo del dispositivo se encuentra en la parte de atrás del aseo incinerador. En ella, podrá consultar la identificación del modelo, el número de serie, los valores del inodoro e información sobre el servicio de asistencia. Necesitará estos datos siempre que se ponga en contacto con el centro de atención al cliente o compre recambios.

<p>MANUFACTURER</p>  <p>Cinderella Incineration Toilets</p> <p>CINDERELLA ECO GROUP AS Sjøvikvegen 67, 6475 Midsund, NORWAY For sales and support call +4777711500 or visit our web www.cinderellaeco.com</p> <p>CINDERELLA FREEDOM MODEL: PM02CS03EU SERIAL:</p>	<p>Appliance Specifications</p> <p>VOLTAGE..... 12V DC CURRENT 4 A GAS:..... PROPANE FAN BLOWER:..... 12V DC GAS SUPPLY PRESSURE: 30 mBar CAPACITY..... 3-4 PEOPLE PR. HOUR CONNECTED LOAD 425 G/H EFFECT..... 2.86 kW EXHAUST SYSTEM CONSTRUCTION -B22 DEVICE CATEGORY I3 B/P YEAR OF MANUFACTURING 2021 DESIGNED FOR..... HOME/CABINS, SANITATION WELFARE UNIT</p>	  
	<p>For information on how to claim warranty, support and recycle our product visit www.cinderellaeco.com</p>	

1.9 CINDERELLA ONLINE



REGISTRARSE EN «MY CINDERELLA»

Al registrar su inodoro en «My Cinderella», recibirá información importante sobre nuestros productos y sistemas de atención al cliente disponibles, así como ofertas especiales específicamente creadas para su modelo. En caso de robo, los inodoros registrados estarán en nuestra base de datos del fabricante.

Sistema de detección de problemas online

Una completa guía sobre su inodoro que le ofrece consejos prácticos y mejoras de usuario, lo que le permitirá resolver autónomamente los problemas más comunes sin tener que llamar a atención al cliente.

Acceso intuitivo a la información

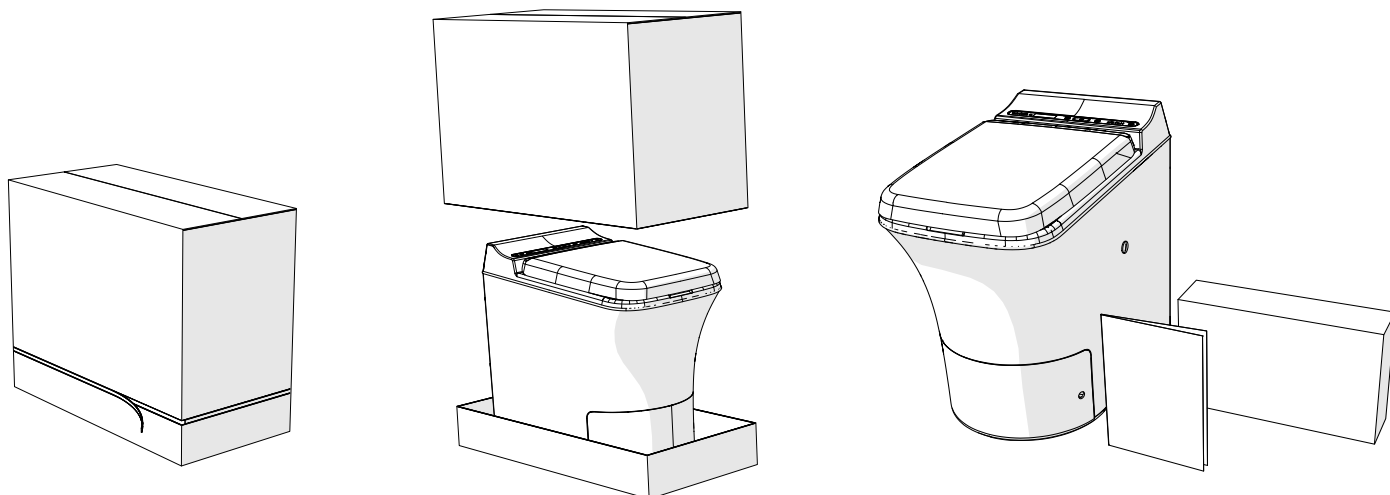
Puede descargar la documentación del dispositivo desde nuestro centro de recursos online, donde encontrará manuales del producto, manuales de reparación y un manual sobre el desmontaje de equipos electrónicos y eléctricos al final de su vida útil (WEEE por sus siglas en inglés).

Reparaciones y recambios

Seleccione el país de origen y consulte una lista de proveedores locales donde podrá recibir reparaciones y recambios.

2. INSTALACIÓN

2.1 DESEMBALAR EL ASEO INCINERADOR CINDERELLA



NOTA

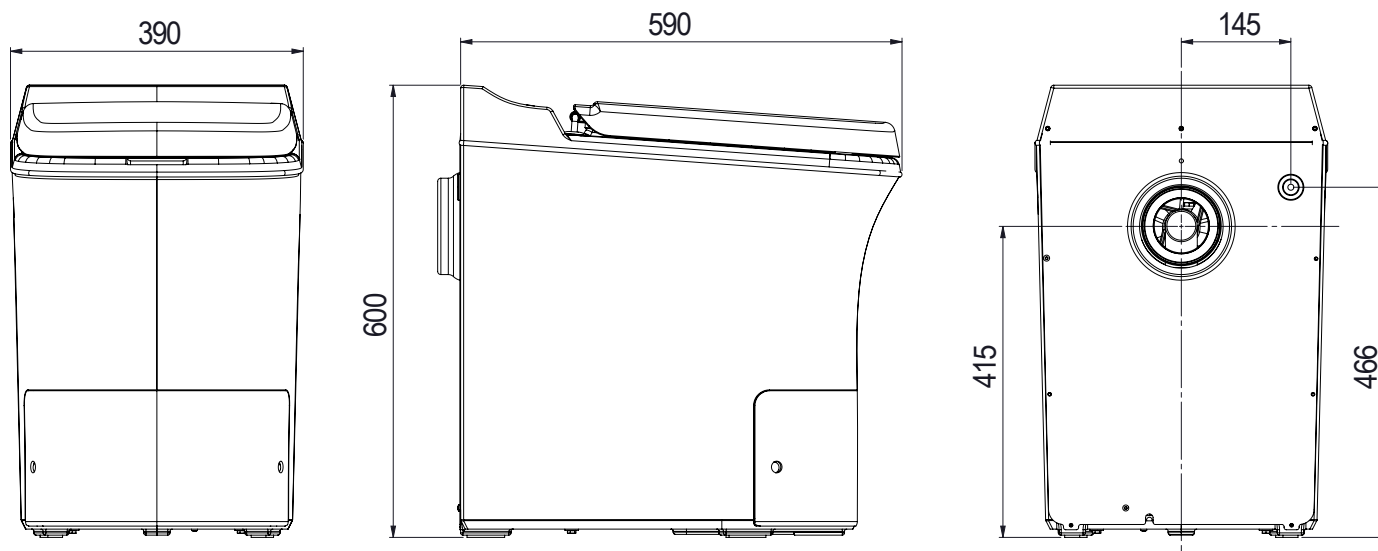
Para desembalar el inodoro Cinderella use la cinta incluida en la parte inferior de la caja. Libere la cinta en torno a la caja y levante la parte superior.

ARTÍCULOS INCLUIDOS	N.º
Cinderella PM02CS03	1
Forros de taza	1
Manual del producto	1

2.2 ESPECIFICACIONES DE MEDIDAS

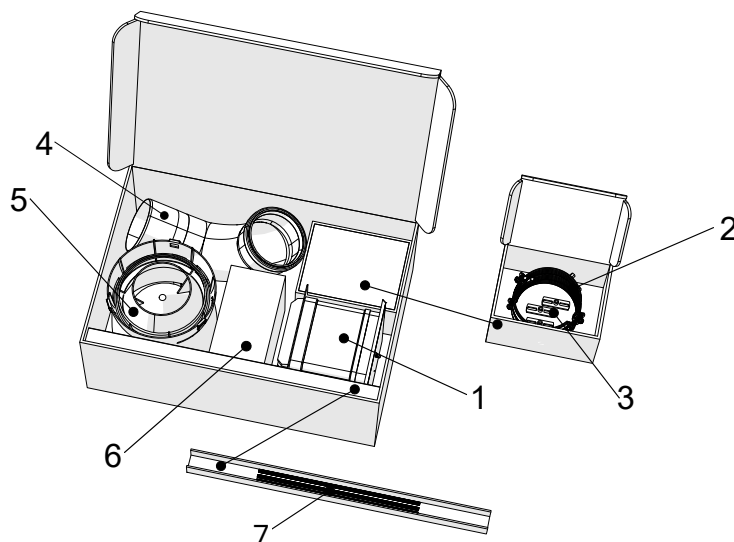
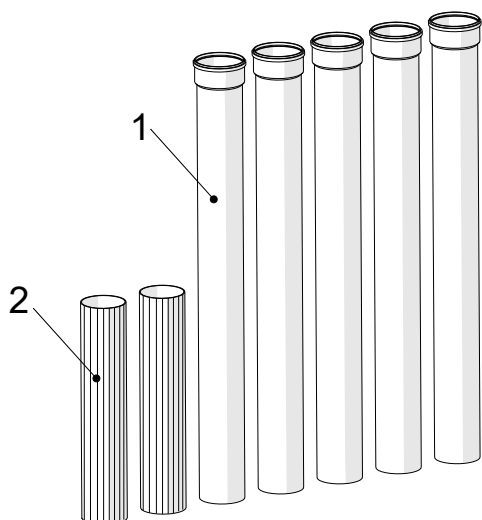
Altura	600 mm
Altura al sentarse	540 mm
Anchura	390 mm

Profundidad	590 mm
Altura desde la salida central	415 mm



2.3 PAQUETES ORIGINALES DE INSTALACIÓN PARA EL INODORO CINDERELLA

Kit de instalación original para Cinderella: recomendamos encarecidamente usar el «kit de instalación original para Cinderella» durante la instalación de su dispositivo. Este set completo incluye las piezas necesarias para una instalación ideal, lo que optimiza el proceso de incineración y el funcionamiento de su inodoro. El kit de instalación incluye dos cajas individuales. La caja número 1 contiene un codo y una capota de ventilación optimizados para aumentar el flujo de aire del sistema y la eficacia de incineración, así como un ventilador de 201 cm² específicamente diseñado para mejorar el funcionamiento. El kit también incluye abrazaderas para sujetar la instalación de los tubos de salida. La caja número 2 contiene tuberías de 7 x 110 mm, fabricadas con PP (polipropileno plástico) y estables frente a los rayos UV, para instalar la ventilación de salida.



KIT DE INSTALACIÓN ORIGINAL PARA CINDERELLA		N.º
1	Tubo de ventilación macho/hembra, 1066 mm	5
2	Tubo de ventilación macho/macho, 500 mm	2

KIT DE INSTALACIÓN ORIGINAL PARA CINDERELLA		N.º
1	Ventilador, 160 mm (201 cm ²)	1
2	Abrazadera de soporte	3
3	Varilla de soporte para la pared	3
4	Codo a 87° con desagüe	1
5	Tapa de salida de ventilación	1
6	Kit de regulador de presión*	1
7	Varilla roscada, 30 mm	3

*Únicamente en Noruega y Suecia.



NOTA

- Este manual explica y demuestra más adelante cómo instalar de forma óptima su inodoro en función de las piezas incluidas en el kit de instalación original para Cinderella. Si prefiere instalar su dispositivo Cinderella con piezas y tuberías distintas de las originales, asegúrese de que cumplan las especificaciones indicadas en la sección 2.4.1, «Especificaciones de piezas y materiales».
- Para garantizar que su aseo incinerador Cinderella funciona correctamente, es fundamental asegurar una ventilación apropiada de conformidad con las directrices de este manual. Las instalaciones que incumplen las especificaciones del fabricante o el uso de piezas no autorizadas durante la instalación del dispositivo provocarán fallos, desgaste o malos olores y anularán la garantía.

2.4 ESPECIFICACIONES DE LA INSTALACIÓN

2.4.1 ESPECIFICACIONES DE PIEZAS Y MATERIALES

ARTÍCULO	ESPECIFICACIONES
Tuberías de ventilación	Cinderella Freedom debe instalarse con tuberías de 110 mm con una superficie interna uniforme y un diámetro interno mínimo de 102 mm. El material de la tubería debe ser compatible con temperaturas superiores a 100 °C y, preferiblemente, de tipo PP o CPVC (cloruro de polivinilo clorado). Recomendamos encarecidamente usar las tuberías originales de PP para Cinderella.
Codo (aire de salida)	Cinderella Freedom debe instalarse con un codo curvado uniforme que minimice la restricción del flujo de aire. Recomendamos encarecidamente usar el codo original a 87° con desagüe para Cinderella.
Tapa de salida de ventilación	Cinderella Freedom debe instalarse con una tapa de salida de ventilación que evite la intrusión del agua de lluvia y restrinja el flujo de aire lo menos posible. No deben utilizarse ventiladores convencionales ni otros dispositivos similares durante la ventilación del aseo incinerador Cinderella. Recomendamos encarecidamente usar la tapa de salida de ventilación original para Cinderella.



NOTA

- El interior de la tubería de ventilación debe ser uniforme, sin relieves ni muescas.
- No introduzca redes de malla en la tubería de ventilación, ya que podrían restringir el flujo de aire del sistema.
- El codo debe permanecer accesible una vez instalado para poder limpiar la tubería de drenaje y el tubo de salida.
- Cinderella Freedom es compatible con usos en cuartos de baño/estancias con presencia de humedad (grado de protección IP34), pero no debe rociarse agua sobre las piezas externas del inodoro.
- El aseo debe situarse sobre una base firme y nivelada. El dispositivo Cinderella puede instalarse sobre suelo radiante.

2.5 INSTALAR EL ASEO INCINERADOR CINDERELLA

Es fundamental asegurar una ventilación apropiada de conformidad con las directrices de este manual para garantizar el funcionamiento de su nuevo inodoro Cinderella. Una instalación inadecuada puede provocar fallos, desgaste o malos olores y anular la garantía. Lea atentamente cada apartado antes de comenzar a instalar el inodoro. Asegúrese de que el trabajo lo realizan profesionales de conformidad con las normativas locales.



ATENCIÓN

- Durante la instalación del dispositivo, deben respetarse las normativas técnicas y administrativas del país que corresponda. Le recomendamos que solicite ayuda a su proveedor local para la planificación y la instalación de su inodoro Cinderella.
- No use ninguna pieza curvada aparte del codo.
- Si la tubería perfora la superficie del tejado, asegúrese de que cumple las normativas sobre construcción.
- No use tuberías ni conductos flexibles para instalar el inodoro Cinderella.
- No conecte más de un dispositivo al conducto de ventilación.

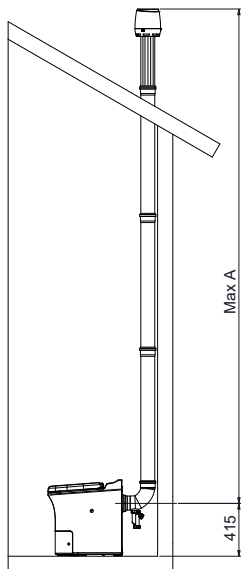


ADVERTENCIA

Antes de realizar cualquier perforación, compruebe que al hacerlo no atravesará cables eléctricos ni tuberías de agua.

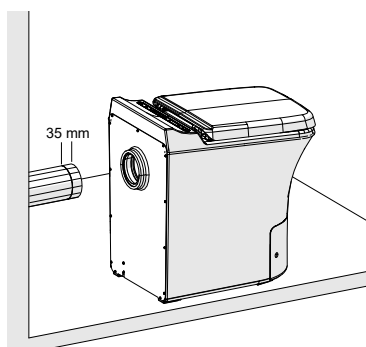
2.5.1 INSTALAR LAS TUBERÍAS DE SALIDA

DIÁMETRO DE LA TUBERÍA DE VENTILACIÓN	DIRECCIÓN DE SALIDA	REFERENCIA	CODOS	LONGITUD MÁXIMA DE LA TUBERÍA
110 mm	Tubo de ventilación horizontal	C	(No permitidos)	1,0 m
110 mm	Tubo de ventilación vertical	A	Ninguno	5,0 m



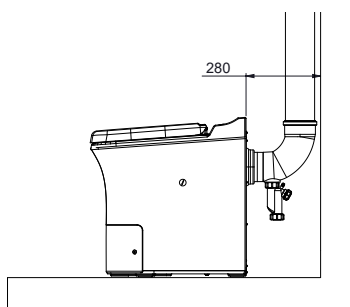
NOTA

El centro de la salida de ventilación del dispositivo se encuentra a 415 mm del suelo.



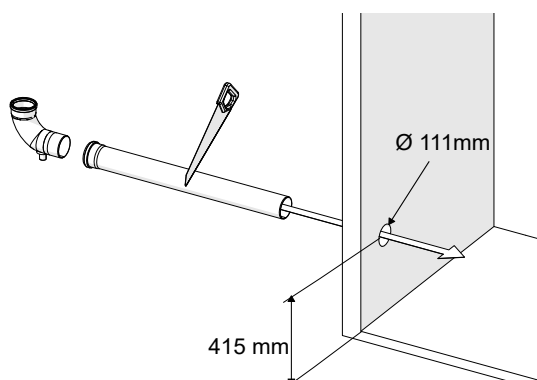
NOTA

Al ajustar la longitud de la tubería, tenga en cuenta que 35 mm entrarán en la salida de ventilación del dispositivo. Esto deberá calcularse durante la planificación de la instalación.



NOTA

Al instalar la tubería en vertical, directamente desde el dispositivo, tenga en cuenta que la distancia mínima desde la pared hasta el inodoro debe ser de 280 mm.



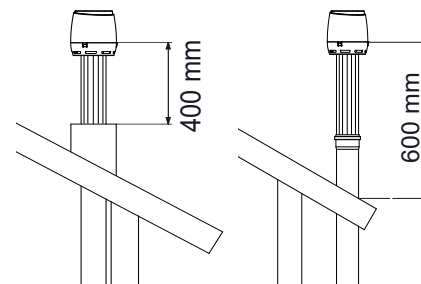
NOTA

El kit de instalación original para Cinderella contienen 5 tuberías de 1066 mm para usar durante la instalación de la salida. Incluyen encaje y junta para una instalación sencilla. Al instalar la tubería a través de una pared externa, deberá introducirla desde la parte exterior.



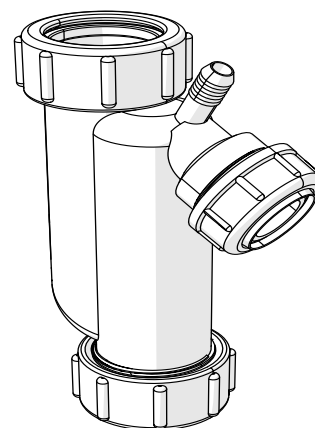
NOTA

- La tubería debe instalarse en vertical sobre el tejado y situarse a una distancia de al menos 600 mm por encima de su superficie. Si el tubo de aire de salida debe cerrarse (por ejemplo, con un revestimiento de metal), asegúrese de que el final de la tubería se sitúe a una distancia de al menos 400 mm por encima del sellado.
- Si la instalación se realiza en una zona donde es probable que se acumule nieve, podría ser necesario subir la tubería a una distancia mayor y sujetarla apropiadamente. Recuerde no superar la longitud máxima permitida de la tubería.



NOTA

Cinderella ofrece un «sifón» específicamente diseñado para encajar en el codo incluido en el kit de instalación. Puede comprarse como accesorio en cualquier proveedor de Cinderella. Si la instalación se realiza desde el interior, deberá conectar el sifón a la pieza del codo para evitar que la condensación y el agua de lluvia se drenen sobre el suelo. Si la condensación no se recoge ni se vacía con frecuencia podría provocar daños en el suelo.



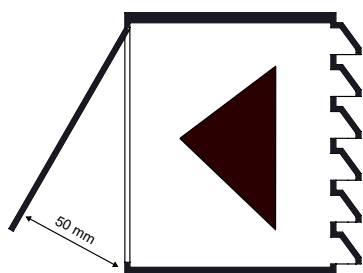
2.5.2 PUNTO DE ENTRADA DE AIRE

Se requiere un conducto de aire de entrada conforme con las especificaciones del fabricante para garantizar una circulación del aire adecuada y el oxígeno necesario para una correcta incineración. El kit de instalación original para Cinderella incluye un conducto de aire específicamente diseñado para optimizar el flujo y aumentar la eficacia del producto. El conducto de aire de entrada debe instalarse preferiblemente tan cerca del inodoro Cinderella como sea posible para garantizar un suministro de aire apropiado al dispositivo y reducir el impacto ambiental en el espacio donde se encuentra. Es importante no usar al mismo tiempo que el inodoro ninguna otra instalación que use ventilación, por ejemplo, un extractor o una chimenea. El aseo Cinderella Freedom extrae aire principalmente del fondo del inodoro. Por tanto, es posible instalar la toma de aire debajo del dispositivo. Esto le permite aislar el aire lo máximo posible dentro del inodoro y minimizar el impacto ambiental en el espacio donde se encuentra.



NOTA

- Las dimensiones mínimas del conducto de entrada deben ser de 160 mm (diámetro)/201 cm².
- El conducto debe permanecer abierto mientras se usa el dispositivo. Recuerde limpiarlo con frecuencia.
- Asegúrese de que el suministro de aire del inodoro no entre en conflicto con otras instalaciones, como una chimenea o un extractor.
- No use un ventilador independiente ni ningún otro dispositivo similar para extraer aire del espacio donde se encuentra instalado el inodoro Cinderella Freedom mientras lo utiliza.
- Si tiene ventilación abierta debajo del aseo, podría ser recomendable situar una malla sobre el orificio para evitar que insectos y otros animales entren en el inodoro. Asegúrese de que la red no sea demasiado fina (5 mm como mínimo), ya que si es más pequeña interrumpirá el flujo de aire.



NOTA

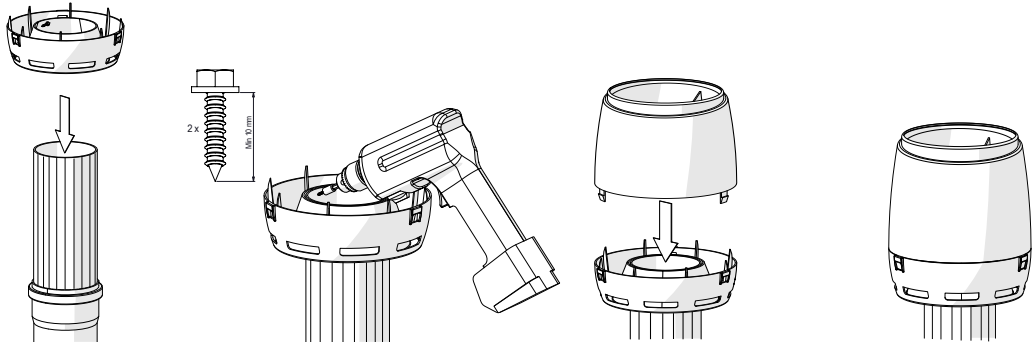
Si el conducto de aire instalado incluye una abertura ajustable, asegúrese de dejarla abierta un mínimo de 75 mm (dos clics) mientras utiliza el inodoro.

2.5.3 INSTALAR LA TAPA DE SALIDA DE VENTILACIÓN ORIGINAL DE CINDERELLA



NOTA

El kit de instalación original para Cinderella incluye una tapa de salida de ventilación diseñada para optimizar el flujo y aumentar la eficacia del producto. Está formada por dos piezas: la sección de base puede fijarse a las tuberías con tornillos de acero inoxidable o pegamento para conectarla y retirarla fácilmente en caso de realizar tareas de mantenimiento en los tubos de ventilación. Use la tubería de 500 mm incluida en el kit de instalación para Cinderella como última sección del tubo de ventilación. Esto utilizará la conexión de la tapa de salida de ventilación.



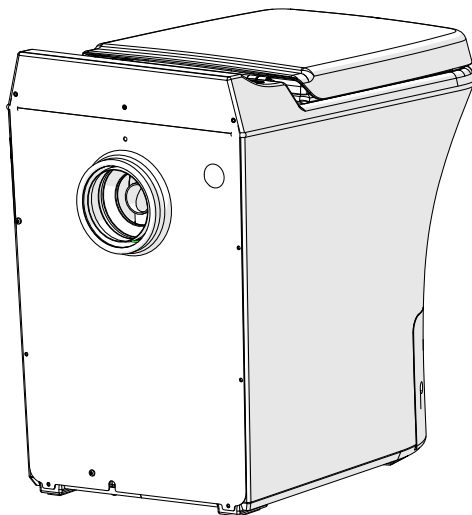
2.5.4 INSTALACIÓN DE GAS

Al conectar el gas al inodoro, asegúrese de utilizar el regulador apropiado que corresponda a su lugar de residencia. El tipo de conexión en el dispositivo es ¼" NPT.



ADVERTENCIA

- Solamente utilice el inodoro a la presión que muestra la placa de tipo, situada en la parte de atrás del dispositivo.
- Solamente utilice el inodoro con el tipo de gas que muestra la placa de tipo, situada en la parte de atrás del dispositivo.
- El inodoro es compatible solamente con instalaciones interiores.



ESPECIFICACIONES	VALOR	NOTAS
Consumo de combustible	160-190 g	Por incineración
Presión de gas de entrada	30 mbar	
Tipo de gas	GLP	
Dispositivo de conexión de gas	Manguera G ¼" LH	
Tamaño del orificio	1 mm	

2.6 ESPECIFICACIONES Y REQUISITOS ELÉCTRICOS

Deben suministrarse al dispositivo el voltaje, la frecuencia y el amperaje correctos desde un circuito conectado a tierra específico, protegido por un disyuntor de dimensiones apropiadas. El voltaje, la frecuencia y el amperaje adecuados se indican en este manual y en la placa de tipo del producto, situada en la parte de atrás del inodoro. Tenga en cuenta que el inodoro requiere un suministro de 12 V 4 A CC. Si necesita conectarlo a un enchufe CA convencional, solicite el suministro eléctrico aprobado a su proveedor.

Requisitos de alimentación	ENTRADA	CORRIENTE	FUSIBLE
	12 V CC (11–14,4 V)	4 A	10 A
Consumo eléctrico	MODO DE HIBERNACIÓN	MODO DE SUSPENSIÓN	MODO DE INCINERACIÓN
	0,005 A	0,09 A	1,3 A
Polaridad de conexión	SECCIÓN	POSITIVO	NEGATIVO
	2 mm ²	Rojo	Negro

Los respectivos cables positivo y negativo de la conexión CC no deben unirse entre sí en una autocaravana, ya que esto puede provocar interferencias y dañar los componentes eléctricos. El suministro de 12 V debe conectarse con su propio circuito directamente a la batería, con un fusible de 10 A al inicio del circuito. Use la guía de cableado de 12 V para calcular las dimensiones correctas en función de la longitud del cable.

GUÍA DE CABLEADO DE 12 V						
Amperios	1 m	2 m	5 m	6 m	8 m	10 m
4	2 mm ²	2 mm ²	2 mm ²	4 mm ²	4 mm ²	4 mm ²

Al conectar el inodoro a la red eléctrica CC, tenga en cuenta las siguientes indicaciones:

- Asegúrese de que el cable tenga una corriente máxima compatible con la carga esperada en el circuito, margen de seguridad incluido.
- Asegúrese de que las dimensiones de la sección del cable sean las adecuadas para la longitud prevista y de que el cable no provoque la caída del voltaje.
- Compruebe la polaridad de los cables antes de conectar el dispositivo, ya que la garantía no cubre la polaridad inversa.



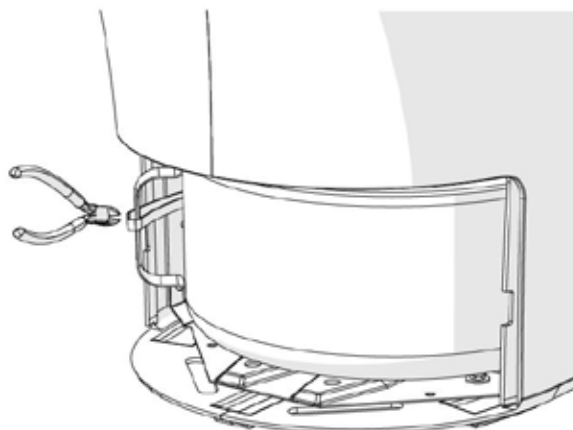
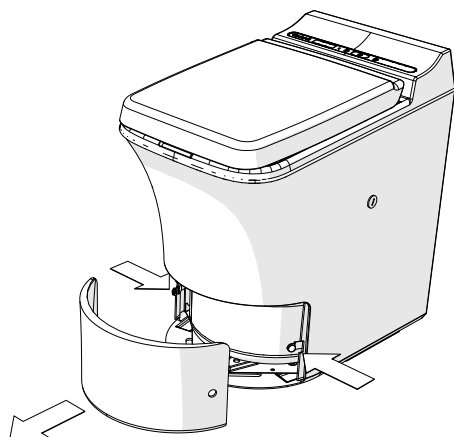
NOTA

- El cable de conexión debe situarse de tal forma que no entre en contacto con bordes afilados.
- Los cambios en la instalación eléctrica interna o en el cable de conexión debe realizarlos un profesional especializado o una persona con una cualificación similar con el fin de evitar riesgos para la seguridad.

2.7 RETIRAR LA CORREA DE SEGURIDAD PARA EL TRANSPORTE

El recipiente de cenizas incorpora una correa de seguridad que debe retirarse antes de usarlo:

1. Extraiga la cubierta frontal.
2. Corte y retire las correas de plástico que sujetan el recipiente de cenizas a la estructura de acero.



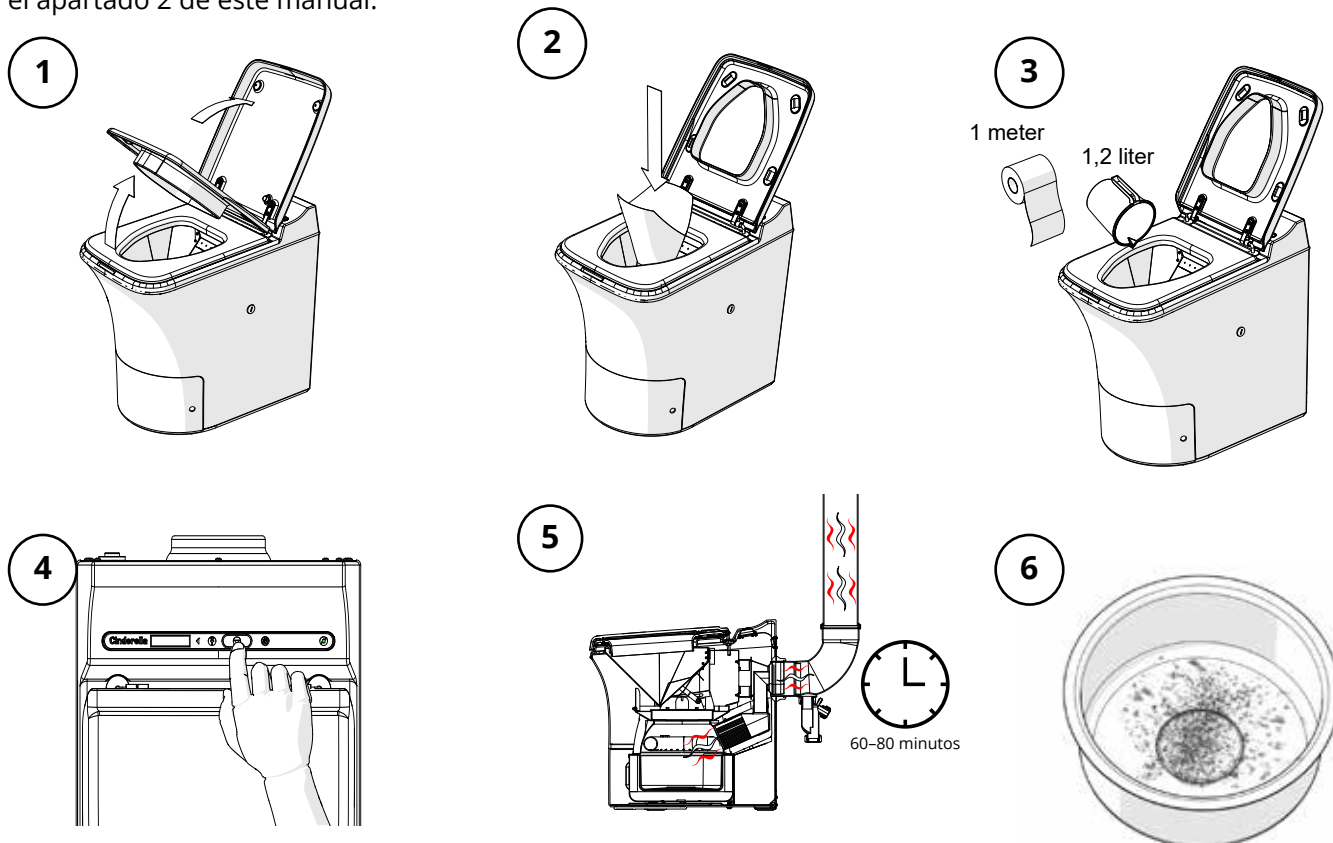
2.8 LISTA DE COMPROBACIONES PARA VERIFICAR LA INSTALACIÓN COMPLETA

ELEMENTOS DE CONTROL	CONFORMIDAD
El voltaje conectado es conforme con la placa de tipo del dispositivo	
La presión de gas conectada es conforme con la placa de tipo del dispositivo	
El dispositivo está instalado de conformidad con las especificaciones del fabricante	
El tubo de ventilación está instalado de conformidad con las especificaciones del fabricante	
El extremo de la salida de ventilación no se encuentra a menos de 600 mm de la superficie del tejado	
El sifón de drenaje de seguridad está instalado donde es probable que se acumule la condensación	
El material del tubo de ventilación está instalado de conformidad con las especificaciones del fabricante	
La tapa de ventilación está instalada de conformidad con las especificaciones del fabricante	
El aire de entrada es conforme con las especificaciones del fabricante	

2.9 PRUEBA DE RENDIMIENTO PARA VERIFICAR EL FUNCIONAMIENTO DEL SISTEMA

Al pulsar el botón de «Inicio», se activará el ciclo de incineración. El tiempo de incineración previsto para la prueba de verificación es de 60 a 80 minutos aproximadamente. La luz amarilla se mantendrá encendida durante la incineración, y la prueba completa deberá finalizar sin indicaciones de fallo ni interrupciones del sistema. El inodoro debe haberse enfriado hasta el punto en que el ventilador se apaga antes de poder retirar el recipiente de cenizas. La fase de enfriamiento puede durar de 60 a 90 minutos en función de la temperatura ambiente.

El resultado final debe ser únicamente polvo blanco fino. Todo resultado final distinto de este, así como un tiempo de incineración superior a 90 minutos, podrían indicar una restricción en el conducto de ventilación o una falta de oxígeno. Compruebe que la instalación es conforme con las especificaciones del fabricante, indicadas en el apartado 2 de este manual.



ADVERTENCIA

El recipiente de cenizas alcanzará temperaturas muy altas durante la incineración. No retire la tapa frontal hasta que el inodoro se haya enfriado por completo y el ventilador se haya apagado.



NOTA

- La prueba de rendimiento está diseñada para realizarse cuando no se ha utilizado el dispositivo. Los resultados pueden variar cuando se efectúa en inodoros ya usados.

3. USUARIO

3.1 MANIPULACIÓN Y USO PREVISTOS

El inodoro Cinderella Freedom está pensado para instalaciones interiores y usos en casas de vacaciones como cabañas, segundas residencias, aseos exteriores, unidades sanitarias en zonas de construcción, casas flotantes y espacios adyacentes a una piscina. El inodoro está diseñado exclusivamente para incinerar residuos biológicos y productos sanitarios pequeños, como papel higiénico, compresas o toallitas faciales, infantiles y de limpieza sin alcohol. Utilizar Cinderella Freedom para incinerar otros objetos constituye un uso indebido y anulará la garantía.

No introduzca los siguientes productos en el inodoro:

- Cantidades excesivas de papel de cualquier clase.
- Productos de limpieza con cloro.
- Toallitas de limpieza con alcohol.
- Periódicos.
- Papel de cocina.
- Materiales o líquidos inflamables.
- Mecheros.
- Cigarrillos o cigarros.
- Gasolina.
- Licores o bebidas alcohólicas.
- Alcohol, alcohol isopropílico o líquidos con etanol.
- Quitaesmaltes.
- Líquidos para mecheros o encendedores.
- Aceite para lámparas o queroseno.
- Recipientes para aerosoles.
- Botellas o recipientes de cristal o de plástico, etc.

3.2 SEGURIDAD GENERAL



PELIGRO

- No utilice el aseo incinerador si presenta daños.
- Si el cable de conexión del inodoro está dañado, debe sustituirlo el fabricante, el servicio de atención al cliente o una persona con una cualificación similar con el fin de evitar riesgos para la seguridad.
- Únicamente personal cualificado puede reparar este aseo incinerador. Las reparaciones no autorizadas pueden provocar peligros importantes o dañar el inodoro.
- Los niños sin supervisión no pueden limpiar ni realizar tareas de mantenimiento del usuario.
- No use sustancias explosivas ni productos de limpieza inflamables durante el mantenimiento del inodoro.

3.3 SEGURIDAD AL UTILIZAR GAS



PELIGRO

- No use una llama expuesta para comprobar si las piezas y las tuberías que contienen gas presentan fugas, ya que plantea un riesgo de fuego o de explosión.
- En caso de detectarse olor a gas:
 - Cierre la llave de paso para el suministro de gas y la válvula del cilindro.
 - Abra todas las ventanas y salga de la estancia.
 - No encienda ni apague ningún interruptor eléctrico.
 - Extinga todas las llamas expuestas.
 - Póngase en contacto con un especialista para que compruebe el sistema de gas.

3.4 UTILIZACIÓN SEGURA



ADVERTENCIA

- El recipiente de cenizas alcanzará temperaturas muy altas mientras el inodoro está funcionando. Asegúrese de que la cubierta de seguridad esté correctamente instalada durante el uso del dispositivo. No vacíe el recipiente de cenizas hasta que el inodoro se haya enfriado por completo.
- El asiento no incluye una función de cierre suave. Tenga cuidado de no aplastarse las manos o los dedos al bajar la tapa o el asiento.

3.5 FUNCIONES DE SEGURIDAD DE CINDERELLA FREEDOM

- El proceso de incineración permanece inactivo mientras la tapa del inodoro está subida. La incineración no empezará hasta haber bajado la tapa y el asiento.
- La trampilla de la cámara de incineración NO PUEDE estar abierta mientras la temperatura del inodoro permanezca alta (por ejemplo, durante la limpieza). Esto únicamente es posible cuando el inodoro se haya enfriado y el ventilador se haya detenido.

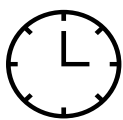
- Si se produce un problema de ventilación y la temperatura interna del inodoro aumenta por encima de los 105 °C, la incineración se interrumpirá y el dispositivo mostrará un mensaje de advertencia. Esta situación exige un reinicio manual para garantizar que el fallo de ventilación se ha resuelto antes de volver a usar el inodoro.
- Si el recipiente de cenizas se instala de forma incorrecta después del vaciado, la incineración no empezará y el dispositivo mostrará un mensaje y una luz de advertencia.
- Si el mecanismo de la trampilla de la cámara de combustión se atasca o no puede cerrarse adecuadamente, la incineración no empezará y el dispositivo mostrará un mensaje de error.
- El software inteligente de Cinderella Freedom incluye una función de «vigilancia» que controla la temperatura mientras se produce la incineración. Si se detectan temperaturas distintas del rango normal, la incineración se detendrá de inmediato y el dispositivo mostrará un mensaje de advertencia.

3.6 INFORMACIÓN IMPORTANTE PARA EL USUARIO



NOTA

- Recuerde disponer un nuevo forro en la taza del inodoro antes del uso (uno por visita).
- La tapa del inodoro debe permanecer bajada cuando no se utiliza el dispositivo. La incineración no empezará ni continuará hasta que no se haya bajado la tapa.
- El ciclo de incineración podría tardar hasta 180 minutos a partir de la visita más reciente.
- El ventilador continuará funcionando hasta que se haya completado la incineración y la temperatura interna del inodoro haya regresado al rango normal. La fase de enfriamiento puede superar los 120 minutos tras haberse completado la incineración según la temperatura del aire suministrado para la refrigeración.
- Puede utilizar el inodoro Cinderella en cualquier momento de los procesos de incineración o de enfriamiento. La incineración se detiene durante el uso. Asegúrese de bajar la tapa y pulsar «Inicio» tras finalizar cada visita.



Capacidad: 4 personas

El inodoro Cinderella Freedom está diseñado para recibir hasta cuatro visitas por hora. Para evitar una sobrecarga, no se recomienda superar las cuatro visitas por hora. Sobrecargar el inodoro con demasiadas visitas en un breve periodo de tiempo, sin completar un ciclo de incineración, puede provocar fugas y malos olores, así como dañar el dispositivo.



Frecuencia de vaciado

La capacidad líquida total del recipiente de residuos del sistema es de 5 litros. El recipiente de cenizas debe vaciarse con frecuencia (una vez a la semana) para un mejor funcionamiento. Esto garantiza una incineración más eficaz y ayuda a mantener limpio el catalizador.

Si no ha retirado el recipiente de cenizas (mediante rutinas de vaciado semanales), su Cinderella Freedom mostrará un mensaje de aviso tras 90 ciclos de incineración, y no permitirá más visitas si no se vacía después de 120 usos. Le recomendamos vaciar el inodoro con la mayor frecuencia posible para garantizar una mejor eficacia de incineración y un menor desgaste del producto.

No vaciar el recipiente de cenizas cuando está lleno podría provocar daños en el dispositivo y anular la garantía.



Preparar el inodoro para un periodo sin uso amplio

En caso de periodos sin uso amplios, deben incinerarse los residuos y vaciar el recipiente de cenizas.



Periodos breves con aumento del uso

Si las circunstancias exigen un número de usos del inodoro inusualmente alto en un periodo de tiempo breve, siga los siguientes consejos:

1. Vacíe el recipiente de cenizas por completo antes de que lleguen los invitados.
2. Caliente previamente el inodoro antes del uso subiendo y bajando la tapa. A continuación, pulse el botón de «Inicio».
3. Asegúrese de que los invitados saben que deben usar un forro de taza y pulsar «Inicio» después de cada visita.
4. Compruebe con frecuencia que la tapa del inodoro está bajada y que la luz amarilla de incineración se mantiene aún encendida.
5. Puede que necesite realizar uno o dos ciclos de incineración adicionales antes de vaciar el recipiente de cenizas para asegurarse de que los residuos se han incinerado por completo.

3.7 PANEL DE CONTROL

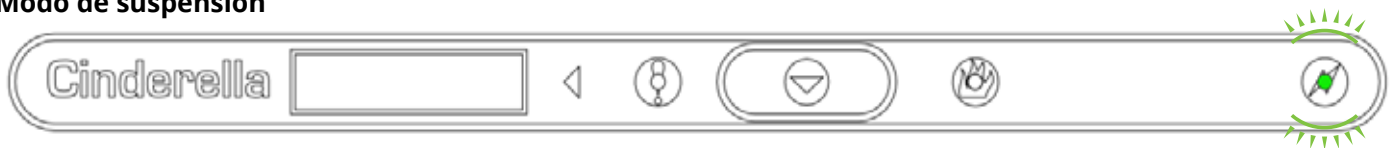
El panel de control incorpora una combinación de luces, sonidos y mensajes para ofrecer la mejor experiencia de usuario posible. Las diversas combinaciones de luces y sonidos indicarán al usuario el estado del sistema. Es importante que todos los usuarios se familiaricen apropiadamente con estas señales antes del uso. Puede consultarse una guía general de todas las señales de luces y sonidos en la tabla de detección de problemas de la sección 5.1.



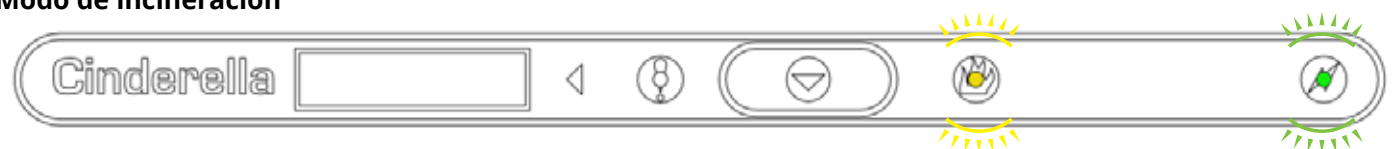
NOTA

- La luz verde indica que el inodoro está conectado al suministro eléctrico. Cuando solamente está encendida la luz verde, el inodoro está en suspensión y puede usarse.
- La luz amarilla indica la realización de un proceso de incineración y permanecerá siempre encendida mientras el inodoro esté en el modo de incineración.
- La luz roja indica una interrupción y avisará al usuario de que el inodoro ha dejado de incinerar o de estar en suspensión.

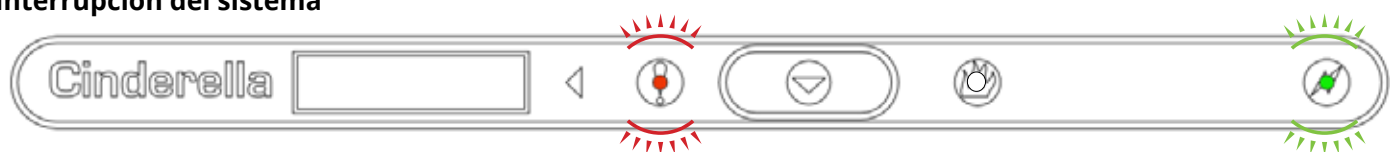
Modo de suspensión



Modo de incineración



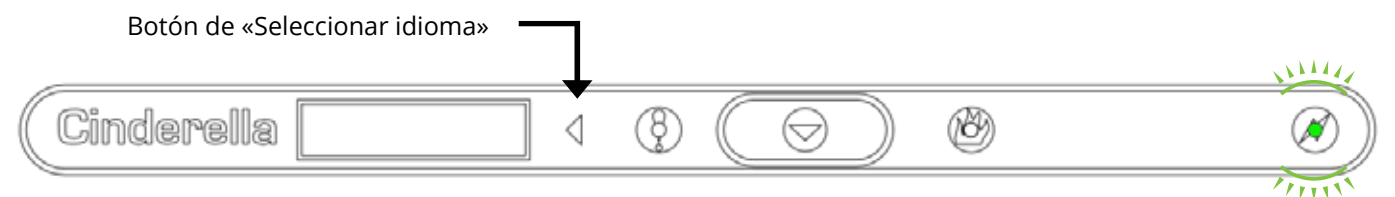
Interrupción del sistema



Seleccionar el idioma

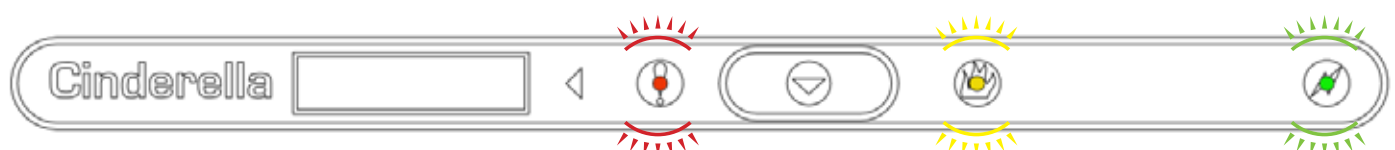
Presione el botón de «Seleccionar idioma» durante tres segundos hasta que aparezca la palabra «Language» (idioma) en la primera línea de texto. El idioma actual se mostrará en la segunda línea. Presione el botón de «Seleccionar idioma» repetidas veces hasta que aparezca el idioma que prefiere. El nuevo idioma se guardará automáticamente unos segundos después de haberlo seleccionado y el inodoro volverá a estar operativo.

Botón de «Seleccionar idioma»



Indicador de vaciado

Cinderella Freedom le indicará el momento de vaciar el recipiente de cenizas. La pantalla mostrará «VACIAR EL RECIPIENTE DE CENIZAS» y el inodoro emitirá tres pitidos breves al subir la tapa. Si no se vacía en una cantidad determinada de usos, el dispositivo se bloqueará. En este momento, las luces amarilla, roja y verde permanecen siempre encendidas y la pantalla muestra el mensaje «ASEO BLOQUEADO, RECIPIENTE LLENO». El dispositivo emitirá tres pitidos breves cada 10 segundos hasta que el recipiente de cenizas se vacíe.



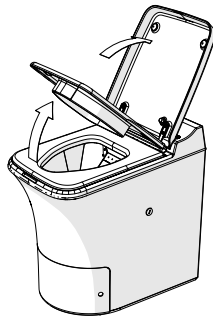
3.8 USAR EL INODORO CINDERELLA FREEDOM

1



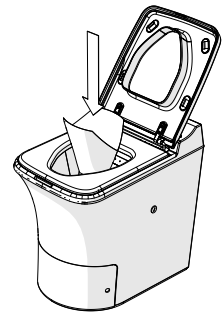
1. Compruebe que la luz verde en el panel de control está encendida, lo que significa que la unidad está conectada a la corriente y puede usarse.

2



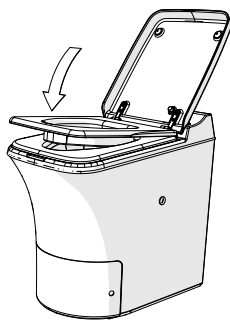
2. Suba la tapa y el asiento del inodoro. La luz roja comienza a parpadear. El ventilador empieza a funcionar.

3



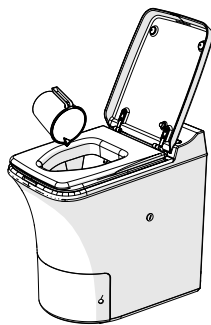
3. Disponga un forro en la taza. Use un forro de taza nuevo en cada visita.

4



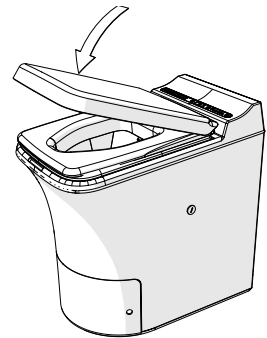
4. Baje el asiento. Puede usarse el inodoro.

5



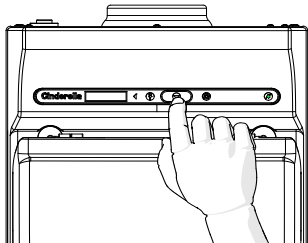
5. Utilice el inodoro como haría normalmente. Si se producen pocos residuos biológicos, podría ser útil verter un poco de agua en la taza para añadir peso.

6



6. Baje la tapa del inodoro.

7



7. Pulse el botón de «Inicio» para que el forro de taza y sus contenidos desciendan a la cámara de incineración. La incineración empieza en cuanto se cierra la trampilla. El siguiente usuario ya puede utilizar el inodoro.

8



8. La luz amarilla permanecerá siempre encendida mientras la incineración esté activa. Puede usarse el inodoro en cualquier momento del proceso. La incineración se interrumpirá temporalmente. El tiempo de incineración puede variar en función del número de visitas y de la cantidad de desechos.

3.9 MANIPULAR LA CUBIERTA FRONTAL Y EL RECIPIENTE DE CENIZAS



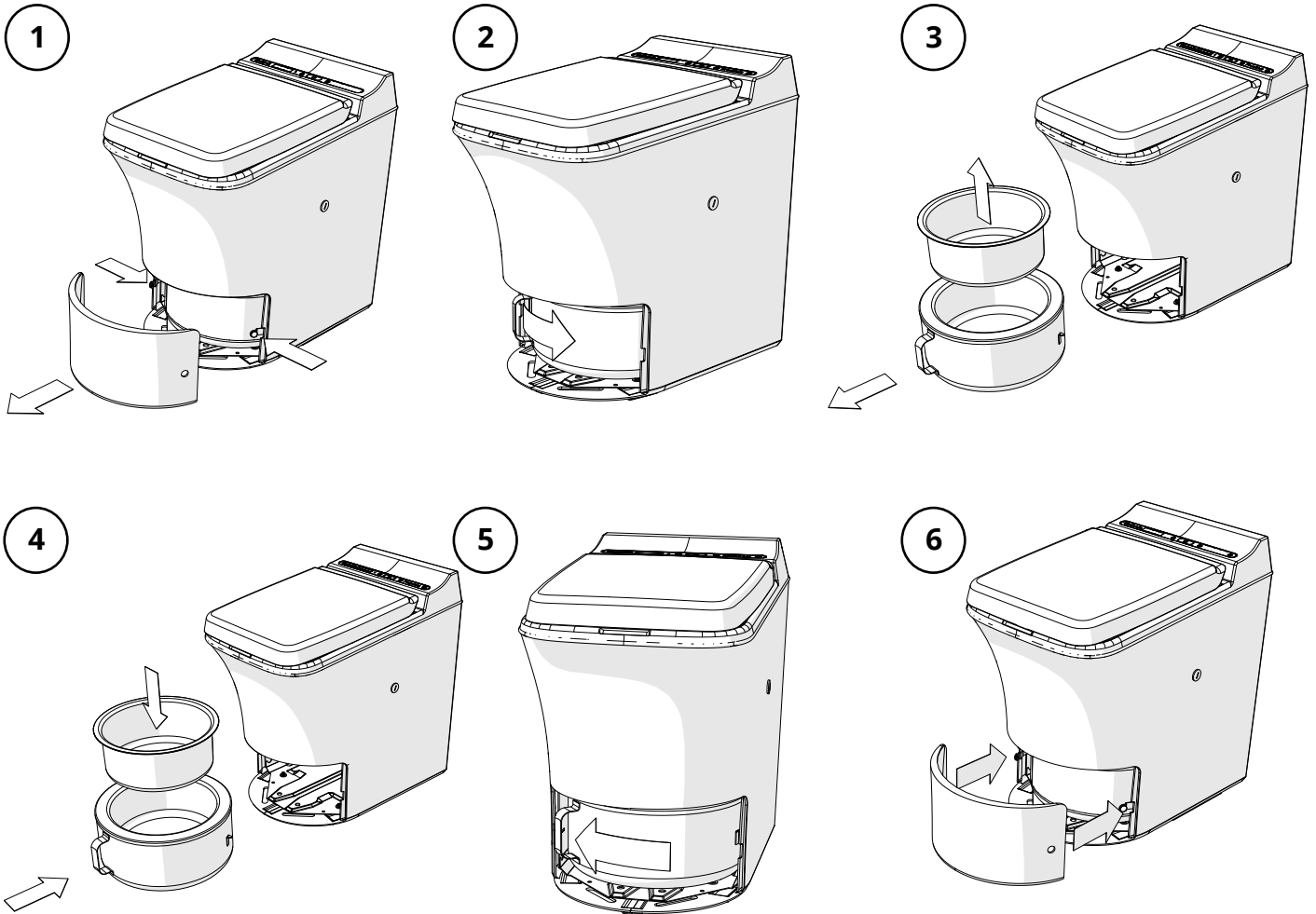
ADVERTENCIA

Únicamente manipule el recipiente de cenizas cuando el inodoro se haya enfriado y esté en el modo de suspensión.



NOTA

Consulte el apartado de mantenimiento para las instrucciones sobre la limpieza y el vaciado del recipiente de cenizas.



4. INSTRUCCIONES GENERALES DE MANTENIMIENTO

Este manual incluye tanto el mantenimiento por parte del usuario como el que deben realizar profesionales de conformidad con la experiencia y las autorizaciones necesarias.

Un sistema de circulación del aire que funciona correctamente es esencial para que el inodoro realice todas las operaciones de forma apropiada. Las partículas generadas durante el proceso de incineración pueden taponar con el tiempo el catalizador y el tubo de salida. Por ello, es importante mantener con frecuencia dichas piezas para asegurar una funcionalidad adecuada.

Con el fin de garantizar un funcionamiento óptimo y prolongar la vida útil de su dispositivo Cinderella Freedom, deberá reservar un poco de tiempo al mantenimiento preventivo. Las rutinas de mantenimiento correctas reducirán los costes de funcionamiento y disminuirán el desgaste del producto. Recomendamos encarecidamente a nuestros clientes que realicen con frecuencia tareas de mantenimiento de la siguiente forma:

1. Vacíe el inodoro con frecuencia. No base el uso en el límite máximo del dispositivo.
2. Limpie el recipiente de cenizas e introdúzcalo cuando esté vacío (consulte el apartado 4.2.1).
3. Realice una limpieza con vapor tras cada caja de forros de taza (500 usos), preferiblemente después de cada vaciado y limpieza del recipiente de cenizas (consulte el apartado 4.2.2).
4. Observe las características del resultado final al vaciar el inodoro. Los resultados finales distintos del esperado podrían indicar la necesidad de realizar reparaciones o tareas de mantenimiento (consulte la sección 4.1).

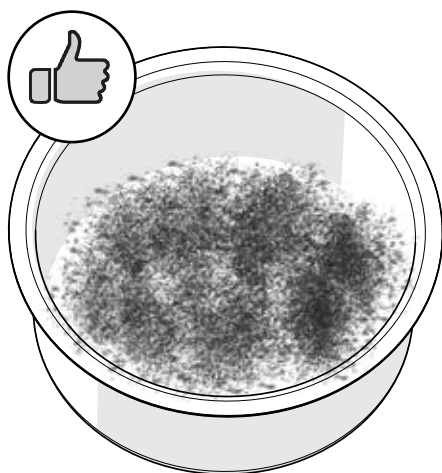


ADVERTENCIA

Antes de realizar cualquier tipo de mantenimiento, asegúrese de que el inodoro no esté en el modo de incineración y de que se haya enfriado lo suficiente.

4.1 CARACTERÍSTICAS DEL PRODUCTO FINAL

Los desechos residuales o «cenizas» se compondrán de residuos patológicos, sales y minerales. Por tanto, suelen percibirse como duros y cristalizados. No debe haber signos visibles de papel o capas desmenuzadas de desechos sin incinerar. Las cenizas deben ser una combinación de blanco y de un tono oscuro de gris. Si aparecen depósitos más grandes de residuos negros sin incinerar, humedad o papel al vaciar el inodoro, realice una incineración adicional sin introducir papel o agua. Cuando el proceso haya finalizado, vacíe el recipiente de cenizas y efectúe los procedimientos de mantenimiento indicados en este manual.

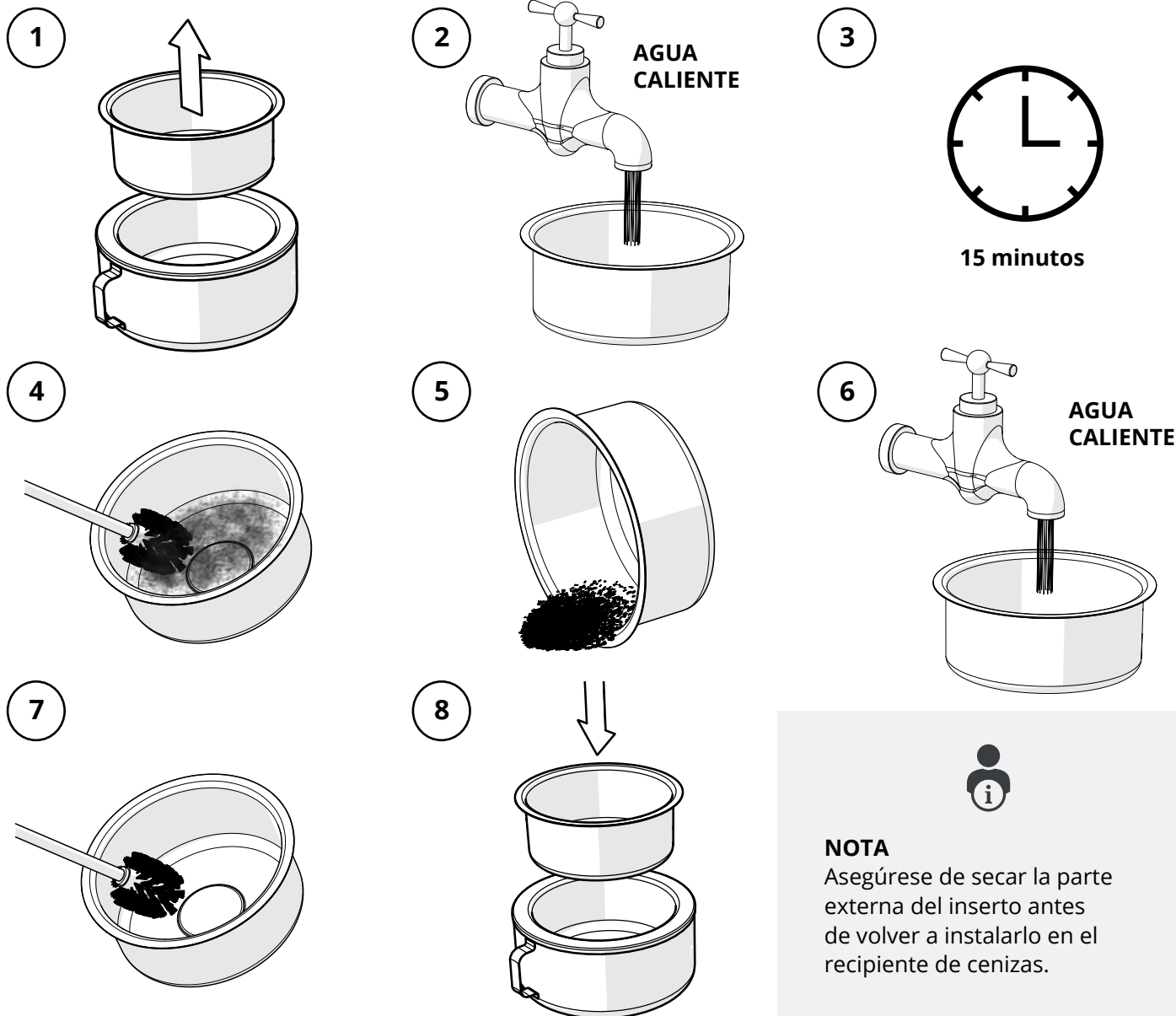


ATENCIÓN

- Las cenizas no son aptas para usos como fertilizantes o abonos. Deben desecharse en los residuos domésticos de conformidad con las normativas públicas pertinentes.
- Las cenizas residuales están esterilizadas y pueden manipularse con seguridad si tras la incineración presentan un color claro. Si son negras y están desmenuzadas o el proceso de incineración no se ha completado, realice un ciclo adicional para garantizar que se hayan incinerado totalmente. Si se produce la misma circunstancia, consulte el apartado de detección de problemas para más información.

4.2 MANTENIMIENTO POR PARTE DEL CLIENTE

4.2.1 VACIAR Y LIMPIAR EL RECIPIENTE DE CENIZAS



ATENCIÓN

No use herramientas ni objetos afilados para limpiar el inserto del recipiente de cenizas, ya que lo dañarán y reducirán su vida útil.



NOTA

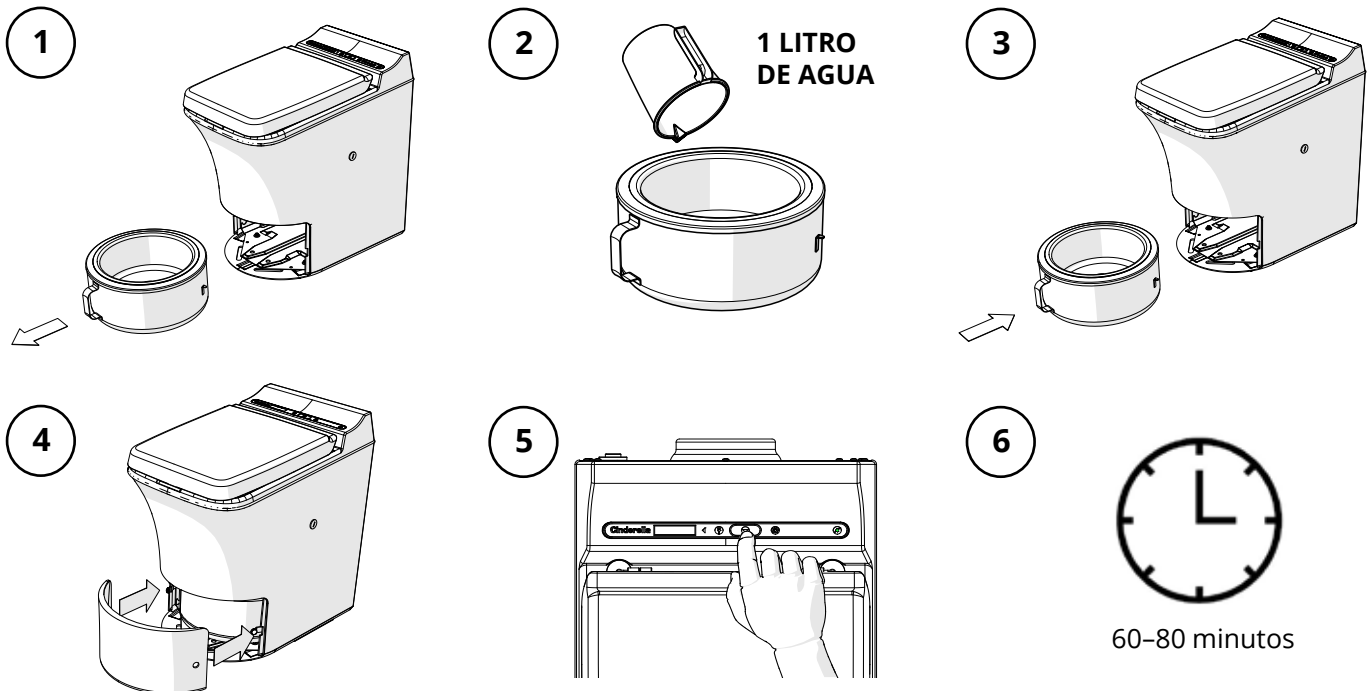
- Con el fin de mantener el funcionamiento del inodoro en las mejores condiciones posibles, le recomendamos realizar el procedimiento de «limpieza con vapor» de conformidad con el apartado 4.2.2 cada vez que vacíe y limpie el inserto. Esto evitará la posible acumulación de alquitrán y de depósitos no deseados en el catalizador y en el sistema de salida del inodoro.
- Al vaciar el inodoro, asegúrese de que el suministro eléctrico esté conectado. Vaciar el dispositivo sin corriente no permitirá al sistema reiniciar el contador de usos.

4.2.2 LIMPIAR CON VAPOR EL CATALIZADOR

Frecuencia recomendada: al vaciar el recipiente de cenizas o, al menos, cada 500 usos. Para realizar la limpieza con vapor:

1. Asegúrese de que el inodoro esté frío y de que el recipiente de cenizas se haya vaciado y limpiado (consulte la sección 4.2.1).
2. Extraiga la cubierta frontal y retire el recipiente de cenizas.

3. Vierta aproximadamente 1 litro de agua limpia en el inserto del inodoro.
4. Introduzca el recipiente de cenizas con cuidado, sin derramar el agua, y sitúe la cubierta frontal.
5. Suba la tapa y compruebe que el ventilador ha empezado a funcionar.
6. Presione «Inicio» para que el ciclo de incineración comience.
7. El agua empezará a hervir y el vapor eliminará cualquier resto del catalizador. Esta limpieza del sistema durará normalmente de 60 a 80 minutos.



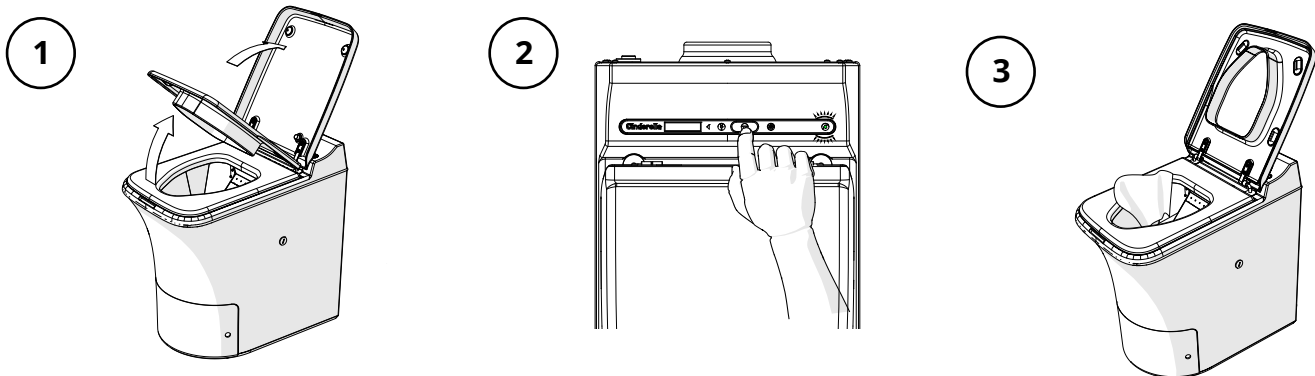
NOTA

No use el inodoro durante el procedimiento de mantenimiento, ya que afectará a la eficacia de la limpieza. El aseo puede utilizarse cuando haya regresado al modo de suspensión.

4.2.3 LIMPIAR LA TAZA

Frecuencia recomendada: según sea necesario para mantener la limpieza y al vaciar el recipiente de cenizas. Para limpiar la taza:

1. Abra la tapa del inodoro.
2. Mantenga presionado el botón de «Inicio» durante tres segundos para abrir la trampilla a la posición de lavado.
3. Use papel humedecido, agua y un producto de limpieza no agresivo según sea necesario. Baje la tapa e inicie el proceso de incineración.



PELIGRO

No use productos inflamables para limpiar la taza. Algunos bordes metálicos pueden estar afilados. El inodoro debe enfriarse y estar en el modo de suspensión antes de limpiar la taza.



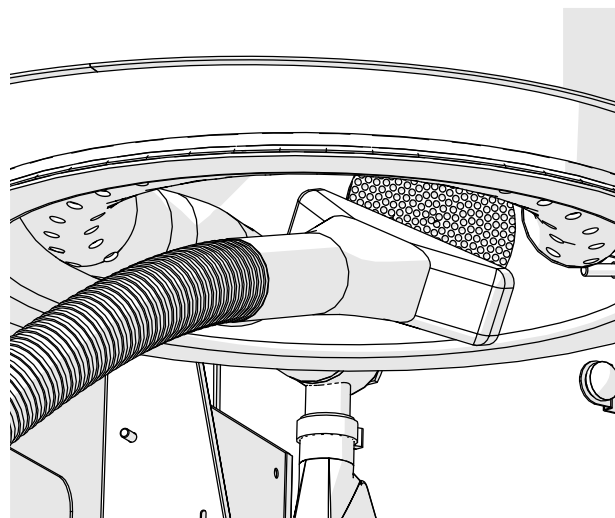
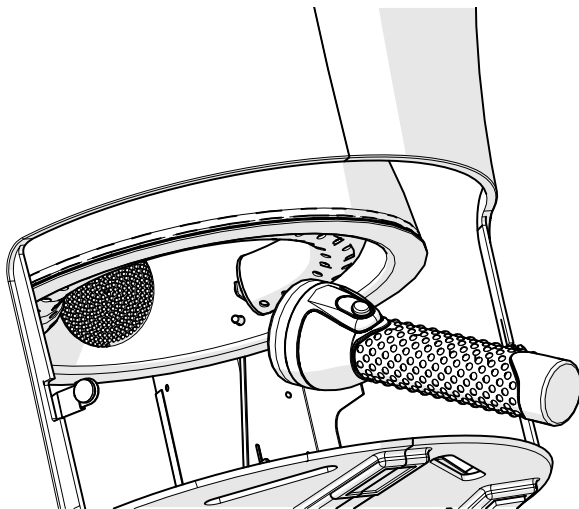
ATENCIÓN

No use productos con cloro para limpiar la taza. El cloro es extremadamente dañino para el catalizador y, si se vierte en el inodoro, podría provocar que dejase de funcionar correctamente.

4.2.4 INSPECCIONAR Y LIMPIAR CON ASPIRADORA EL CATALIZADOR

Frecuencia recomendada: cada 500 usos.

El catalizador es el conducto de aire principal entre la cámara de incineración y la salida de ventilación del dispositivo. Si se acumulan partículas en el catalizador, el flujo de aire y la eficacia del inodoro se reducirán. Por tanto, es importante asegurarse de que el catalizador permanezca abierto. Cualquier cambio que se produzca en el tiempo o la eficacia de incineración podría deberse a una conversión catalítica tupidada. La mejor forma de higienizar fácilmente el catalizador es realizar la limpieza con vapor, explicada en el apartado 4.2.2. También puede inspeccionar la parte frontal del catalizador si extrae el recipiente de cenizas e ilumina la cámara de combustión desde el interior. Las partículas y las acumulaciones pueden eliminarse con una aspiradora.



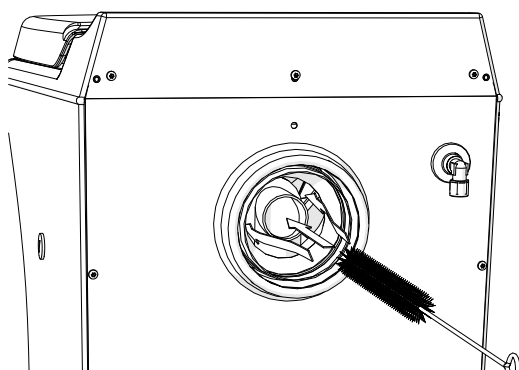
NOTA

Los signos evidentes de corrosión o de formas anómalas en el catalizador indicarán que debe sustituirse. Póngase en contacto con su proveedor técnico local para concertar la reparación.

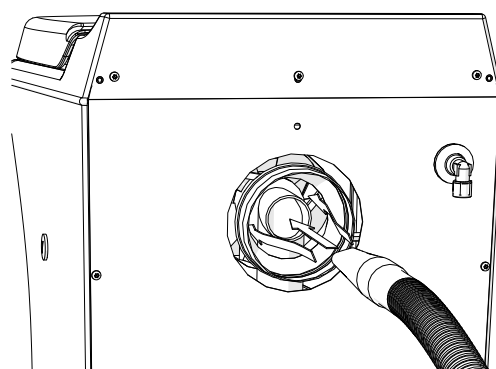
4.2.5 LIMPIAR LA SALIDA DE VENTILACIÓN DEL DISPOSITIVO

Frecuencia recomendada: al menos cada 500 usos.

1. El dispositivo debe desconectarse del tubo de ventilación y de la fuente de alimentación.
2. Limpie la salida de ventilación con un cepillo flexible. Es importante limpiar tanto el tubo de salida como el sistema de efecto Venturi circundante hasta las cuchillas del ventilador para obtener un flujo de aire suficiente.
3. Extraiga el recipiente de cenizas y elimine cualquier resto en su interior.
4. Use una aspiradora para extraer los desechos residuales en el tubo de salida y el catalizador.
5. Vuelva a conectar el dispositivo al tubo de ventilación y a la fuente de alimentación.
6. Instale el recipiente de cenizas y la cubierta frontal.
7. Es recomendable realizar una limpieza con vapor, explicada en el apartado 4.2.2, después de terminar el mantenimiento en la salida de ventilación.



LIMPIE EL TUBO DE SALIDA Y EL SISTEMA VENTURI

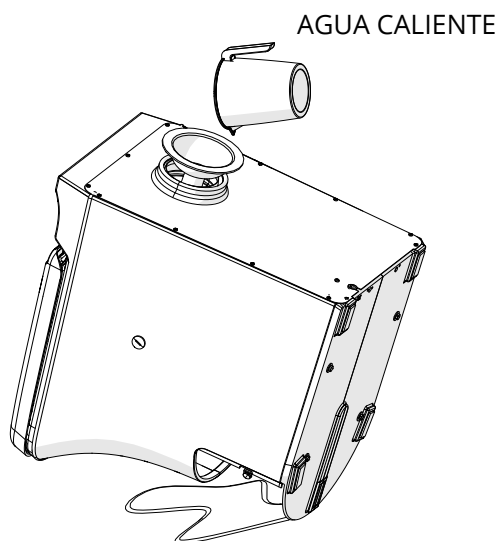


ASPIRE EL TUBO DE SALIDA Y EL SISTEMA VENTURI

4.2.6 LIMPIAR EL CATALIZADOR CON AGUA CALIENTE

Enjuagar el catalizador con agua podría ser necesario cuando la limpieza con vapor no elimina las partículas o los malos olores. Este procedimiento exige elevar una carga pesada y un espacio donde se pueda verter agua. Asegúrese de realizar los pasos del 1 al 4 del procedimiento «Limpiar la salida de ventilación» y siga las siguientes instrucciones:

1. Sitúe el inodoro en un espacio donde se pueda verter agua, por ejemplo, en el exterior, en una zona con un desagüe apropiado o en una bañera. Use el embudo específicamente diseñado para Cinderella o un modelo compatible con el tubo de salida. Inclíne el inodoro hacia delante y vierta de 2 a 3 litros de agua caliente a través del tubo de salida y del catalizador. El agua excedente debe estar limpia al final del proceso de enjuagado. Si es necesario, utilice más agua para limpiar el sistema apropiadamente.
2. Repita el paso 1 entre 4 y 5 veces hasta que el agua salga limpia y no se observen cristales ni otras obstrucciones al inspeccionar el catalizador (consulte el apartado 4.2.4).
3. Vuelva a conectar el dispositivo al tubo de ventilación y a la fuente de alimentación.
4. Instale el recipiente de cenizas y la cubierta frontal.
5. Realice la prueba de rendimiento indicada en la sección 2.8.



NOTA

Antes de desconectar el dispositivo y de limpiar el sistema con agua caliente, inspeccione el catalizador y realice la limpieza con vapor de conformidad con el apartado 4.2.2. Si el catalizador permanece taponado o aún se perciben malos olores durante la incineración, enjuague el sistema de conformidad con el apartado 4.2.6.



ATENCIÓN

La parte frontal de la estructura externa es fina y, por tanto, no debe permitirse que soporte todo el peso del inodoro. Inclíne el dispositivo con cuidado y asegúrese de que se encuentra en una posición que protege la estructura externa del inodoro. Es recomendable que dos personas realicen este proceso: una de ellas sujeta el dispositivo mientras la otra limpia el catalizador.

5. DETECCIÓN DE PROBLEMAS Y PREGUNTAS FRECUENTES



ADVERTENCIA

Las reparaciones deben realizarse de conformidad con todos los códigos del país correspondiente. Si no conoce en profundidad las normativas locales, póngase en contacto con su proveedor o su servicio técnico más cercano para más instrucciones. La corriente debe estar desconectada durante cualquier reparación o tarea de mantenimiento en el inodoro.

Módulo de detección de problemas online

Las señales de luces y sonidos en el panel de control del inodoro indican el estado de funcionamiento del dispositivo. Se informará de la inactividad y de las averías del inodoro con diversas señales de luces y sonidos, explicadas en el apartado 5.1 de este manual. Hemos recopilado los fallos y los errores más comunes en un sistema de detección de problemas online para que pueda obtener respuestas rápidamente si su inodoro no funciona como debería y recibir sugerencias sobre cómo resolver el problema autónomamente.

Sin gas

Una incineración inadecuada y el parpadeo de la luz amarilla podrían indicar que el depósito de propano está vacío y que debe llenarse o cambiarse.

Reiniciar el sistema del inodoro

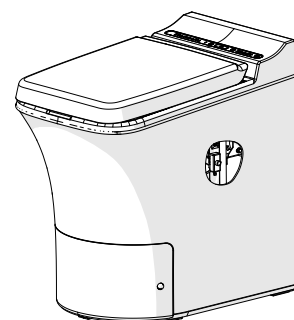
Durante la limpieza y la detección de problemas, reiniciar los componentes electrónicos podría resultar útil en ocasiones. Para hacerlo, presione el botón de «Inicio». Esto provocará un pitido breve. Mantenga pulsado unos 8 segundos hasta oír un pitido largo. Después, suelte el botón.

Mensajes de error

Cuando parpadean luces, debe encontrar el motivo y solucionar el problema antes de usar el inodoro. Debe actuar de inmediato en caso de anomalías como malos olores, incineraciones defectuosas o fallos del sistema para evitar daños y costes de reparación innecesarios.

Termostato bimetalico activado

El termostato bimetalico se activa si la temperatura interna del inodoro es demasiado elevada. Esto ocurrirá normalmente si el flujo de aire es insuficiente o si se produce una restricción en la sección de salida o de entrada de la instalación. Por tanto, es importante comprobar que el aire de entrada es conforme con las especificaciones y que el tubo de ventilación esté abierto y no presente obstáculos. Compruebe visualmente el catalizador y realice el procedimiento de limpieza con vapor de conformidad con el apartado 4.2.2. Para reiniciar el termostato, afloje el tornillo de plástico en el lateral del dispositivo, presione el botón y vuelva a apretarlo.



Durante un apagón

Si hay un ciclo de incineración en proceso durante un apagón, podrían emitirse malos olores temporales desde el interior del inodoro, así como humo y malos olores procedentes del tubo de ventilación exterior. Como la incineración no se reanuda automáticamente cuando se restablezca la corriente, debe iniciar un nuevo ciclo de forma manual. Si se espera que el apagón dure más de 2 horas, es importante vaciar todos los residuos del inodoro, ya que podrían dañarlo si permanecen en él durante un periodo de tiempo mayor. Nunca use el inodoro durante un apagón.

Malos olores en la estancia

Los malos olores pueden deberse a varias causas:

1. Uso indebido del forro de taza o no utilizar uno nuevo cada vez que se visita el inodoro.
2. El flujo de aire podría estar bloqueado. Inspeccione el tubo de ventilación y la tapa de salida de ventilación.
3. Compruebe que la instalación se haya realizado de conformidad con el manual. Una restricción excesiva en el tubo de ventilación podría provocar resistencia y malos olores en el interior.
4. El tubo de salida podría estar taponado. Consulte el apartado 4.3.1.
5. El catalizador podría estar taponado. Consulte el apartado 4.3.1.
6. La tubería de salida no está correctamente instalada en el inodoro. Consulte el apartado 2.5.1.

Malos olores en el exterior

Las causas podrían ser idénticas a las del interior de la estancia o:

1. El catalizador no ha alcanzado la temperatura de funcionamiento. Cuando el inodoro está frío, el catalizador puede tardar unos minutos en alcanzar la temperatura a la que comienza a funcionar apropiadamente.
2. El catalizador podría estar corroído o presentar formas anómalas. Póngase en contacto con su proveedor técnico.

5.1 TABLA DE DETECCIÓN DE PROBLEMAS



NOTA

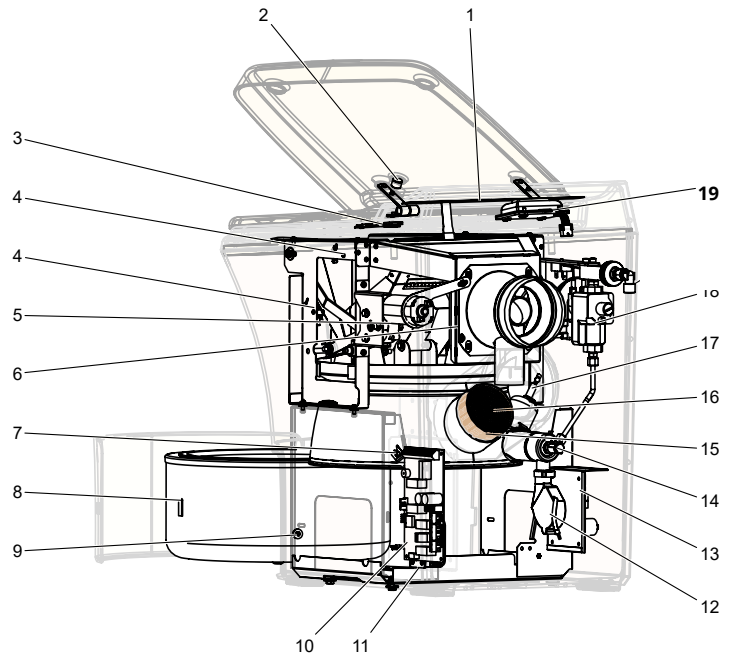
Cinderella ha desarrollado un módulo digital de detección de problemas, disponible en nuestro sitio web. Dicho sistema sirve como guía y complementa la información en esta tabla de detección de problemas. Visite www.cinderellaeco.com.

ERROR	MENSAJE EN LA PANTALLA	LUZ ROJA	LUZ AMARILLA	LUZ VERDE	SONIDO	ACCIONES
Debería vaciarse el recipiente de cenizas	Vaciar recipiente de cenizas	PARPADEO intermitente	PARPADEO intermitente	SE MANTIENE ENCENDIDA	3 PITIDOS	1 Extraiga y vacíe el recipiente de cenizas. * El inodoro debe estar conectado a 230 V.
Debe vaciarse el recipiente de cenizas. Inodoro bloqueado	Inodoro bloqueado, recipiente lleno	SE MANTIENE ENCENDIDA	SE MANTIENE ENCENDIDA	SE MANTIENE ENCENDIDA	3 PITIDOS CADA 10 SEGUNDOS	1 Extraiga y vacíe el recipiente de cenizas. * El inodoro debe estar conectado a 230 V.
Sin conexión	Pantalla en blanco	APAGADO	APAGADO	APAGADO		1 Asegúrese de que el inodoro esté conectado a una fuente de alimentación de 230 V CA.
Error del ventilador	Error del ventilador	PARPADEO	APAGADO	PARPADEO	10 PITIDOS	1 Compruebe si el ventilador está obstruido y asegúrese de que gire apropiadamente. 2 Reinicie el inodoro (mantenga pulsado «Inicio».) 3 Abra la tapa hasta que parpadee la luz roja, bájela y presione «Inicio». Si el error persiste, llame al servicio técnico.
Funcionamiento inadecuado del mecanismo de la trampilla	Error del mecanismo de la trampilla	PARPADEO	APAGADO	SE MANTIENE ENCENDIDA	10 PITIDOS	1 Si el inodoro está templado, reinicielo. 2 Abra la tapa hasta que parpadee la luz roja, bájela y presione «Inicio» 3 Si no funciona, reinicie el inodoro, introduzca un forro de taza y vierta 3 vasos de agua. Baje la tapa y presione «Inicio». 4 Si no funciona, espere hasta que el inodoro se haya enfriado (el ventilador se ha detenido). 5 Reinicie el inodoro y suba la tapa cuando la trampilla se esté abriendo. Retire los objetos atascados manualmente. Si el problema persiste, llame al servicio técnico.
Recipiente de cenizas fuera de su posición	Recipiente de cenizas fuera de su posición	PARPADEO	PARPADEO	SE MANTIENE ENCENDIDA	3 PITIDOS	1 Ajuste la posición del recipiente de cenizas. Gire el asa hacia la izquierda. 2 Compruebe que el tope del recipiente está intacto. 3 Compruebe visualmente el estado del imán del recipiente. Si el problema persiste, llame al servicio técnico.
Interrupción en el circuito térmico	Error en el sistema de combustión	APAGADO	PARPADEO	SE MANTIENE ENCENDIDA	PITIDOS CONSTANTES	1 Reinicie el inodoro. 2 Compruebe el termostato bimetálico en el lado derecho del inodoro. Desatornille el enchufe gris y empuje el fusible hacia el interior con el dedo: no use objetos afilados. 3 Si el fusible se activa, se oirá un clic. Consulte el apartado 5. 4 Si el fusible no es el problema, reinicie el inodoro e intente ponerlo en marcha. Repita este paso un par de veces. Si el problema persiste, llame al servicio técnico.
El sensor de la tapa del inodoro se activa	Tapa subida	PARPADEO	APAGADO	SE MANTIENE ENCENDIDA	NINGUNO	1 Compruebe el imán situado en el interior de la tapa del inodoro y bájela. Si el problema persiste, llame al servicio técnico.
Funcionamiento inadecuado del sensor de temperatura	Error del sensor de temp.	APAGADO	PARPADEO	PARPADEO	PITIDOS CONSTANTES	1 Reinicie el inodoro. 2 Abra la tapa hasta que parpadee la luz roja, bájela y presione «Inicio» 3 Si el fallo persiste, llame al servicio técnico.
Mensajes ilegibles/ inexistentes	Pantalla ilegible/en blanco					1 Desconecte el inodoro y espere 5 minutos. 2 Conecte el inodoro y reinicielo. 3 Si el problema persiste, llame al servicio técnico.

6. REPARACIONES Y RECAMBIOS

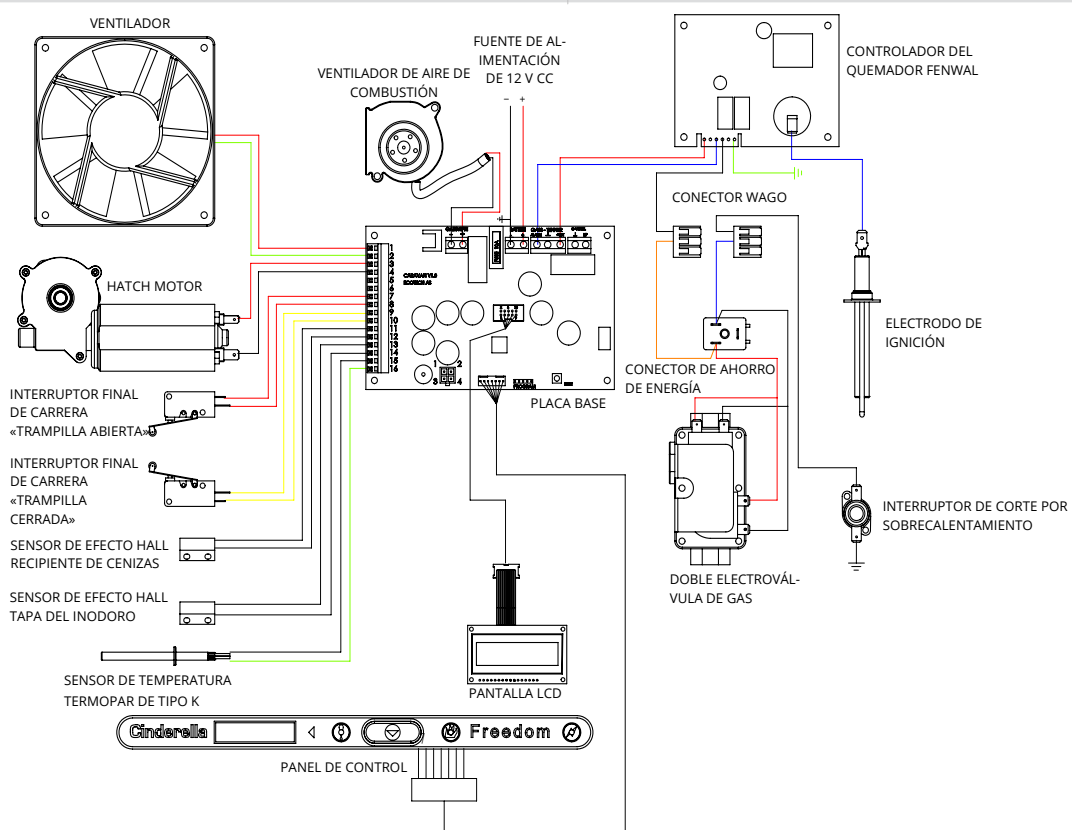
6.1 LISTA DE RECAMBIOS

N.º	DESCRIPCIÓN DE LA PIEZA	N.º DE ART.
1	Panel de control	100981
2	Imán, 14x10 mm	100433
3	Sensor de efecto Hall con cable y cinta (L = 330 mm)	100964
4	Microinterruptor	101127
5	Motor Nidec 12/24 V CC	101177
6	Ventilador axial 12 V CC, 119x38 mm	100154
7	Montaje del termopar	100831
8	Sistema de tope, 9x26x12 mm	100017
9	Imán, 14x7 mm	100065
10	Circuito impreso para el gas	100989



N.º	DESCRIPCIÓN DE LA PIEZA	N.º DE ART.
11	Sensor de efecto Hall	100228
12	Ventilador centrífugo, 51x51x15	100542
13	Unidad de ignición Fenwal	100424
14	Boquilla de gas con capacidad de agua del propano de 8", SM	101414
15	Material aislante, 275x90x2 mm	100163
16	Catalizador, 90x75 mm	100528
17	Electrodo de ignición	100196
18	Control del gas, Maxitrol CV200	101224
19	Pantalla LED, 65x36x13	100401

6.2 DIAGRAMA DE CONEXIONES



7. Garantía

¿Qué cubre esta garantía?

Esta garantía cubre los defectos en los materiales o en la fabricación de su unidad de incineración Cinderella según los términos, los plazos y las excepciones que se indican a continuación.

¿Qué no cubre esta garantía?

Esta garantía no cubre el desgaste normal, los daños provocados por accidentes (incluidos incendios, inundaciones, huracanes y otros fenómenos naturales), los usos indebidos, el incumplimiento de las instrucciones del fabricante o un mantenimiento inapropiado. Los daños consiguientes o indirectos no se pueden reclamar con esta garantía. Cinderella Eco Group no ofrece una garantía «in situ». Esto significa que el inodoro debe transportarse a un proveedor técnico autorizado que pueda realizar las reparaciones. Si no es posible, el distribuidor podría cobrar costes de transporte o de desplazamiento.

¿Durante cuánto tiempo está vigente la garantía?

Esta garantía se mantiene durante un periodo de tres (3) años a partir de la fecha de compra inicial para los usuarios privados. Los clientes profesionales disponen de una garantía de un (1) año.

¿Qué hará Cinderella Eco Group?

Si presenta una reclamación válida para esta garantía, Cinderella Eco Group reparará o sustituirá el inodoro o le reembolsará el precio de compra de la unidad de incineración Cinderella, según su criterio.

¿Cómo contrato una reparación?

Para contratar una reparación, póngase en contacto con su distribuidor o con un proveedor técnico autorizado nacional. Las opciones disponibles dependen del país en que se solicita la reparación.

Es posible que se le soliciten datos del justificante de compra al presentar una reclamación con esta garantía. Para más información sobre la garantía, consulte nuestro sitio web: www.cinderellaeco.com

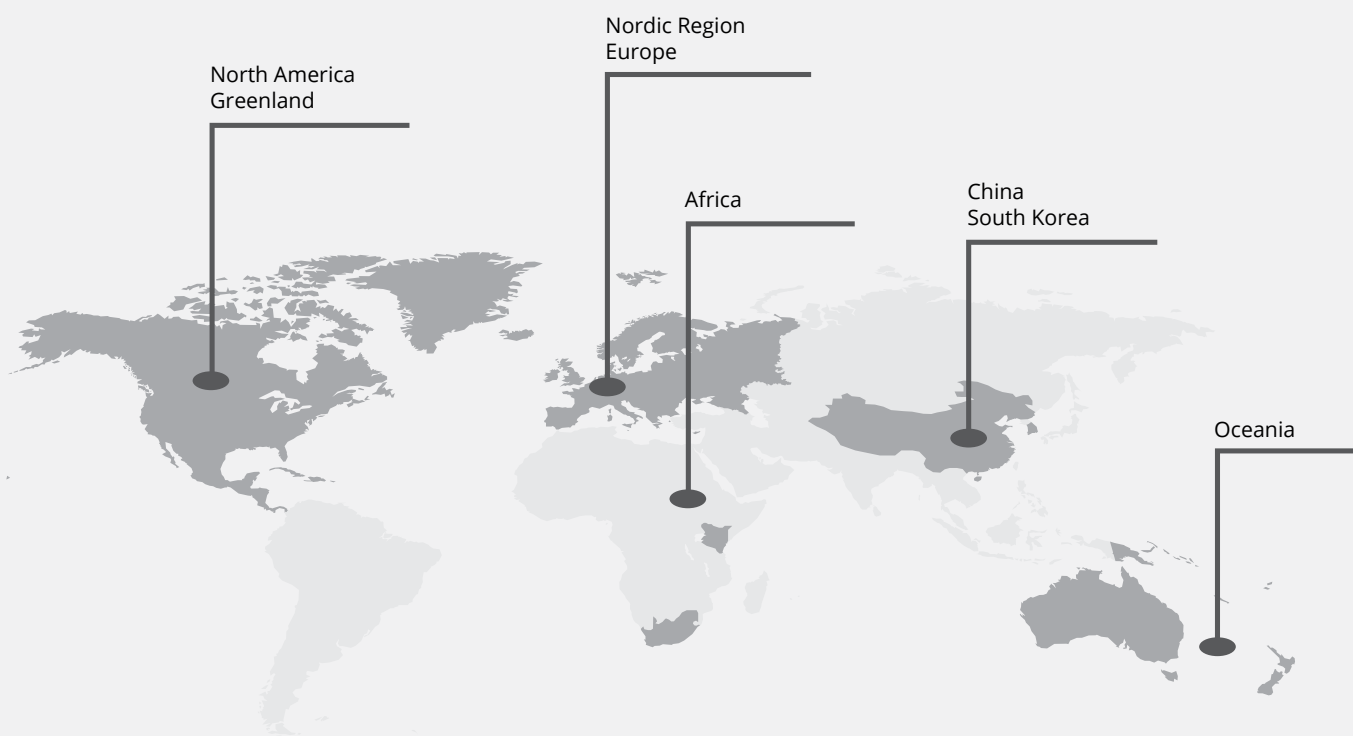
Cinderella Eco Group AS

Sjøvikvegen 67, NO-6475 Midsund, Noruega
www.cinderellaeco.com



Cinderella[®]
Cinderella Eco Group

CINDERELLA'S GLOBAL PRESENCE



Cinderella Eco Group AS
Sjøvikvegen 67, NO-6475 Midsund, Norway
www.cinderellaeco.com