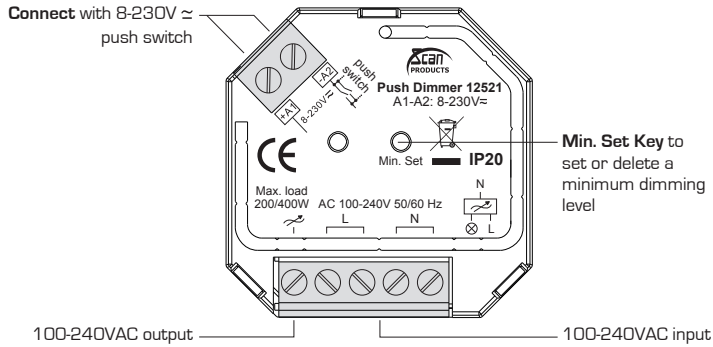


Push dimmer

Installation instructions



Installation

1. Turn power OFF.
DO NOT install with power applied to device.
DO NOT expose the device to moisture.
2. Do wiring according to connection diagram correctly.
3. Turn power on.

Other

Setting minimum brightness

Adjust brightness to a level, then press and hold down "Min. Set" key on the dimmer until the light flashes, once set a minimum brightness, the light can only be dimmable between this minimum brightness and maximum brightness.

The dimming range of this dimmer is 1 - 100%, but some load types may flicker when dimmed to 1%, thus a minimum brightness shall be set higher than 1% to avoid flickering during dimming process.

Delete the minimum brightness

Adjust the brightness to maximum level, then press and hold "Min. Set" key on the dimmer to delete the minimum brightness, the light will flash to indicate successful reset.

Startup Brightness Setting - Set Startup Brightness

Note: startup brightness setting function is to avoid the phenomenon that some dimmable LED drivers can not be turned on after turned off at a very low brightness level. Once setting a startup brightness, if the startup brightness is higher than the brightness before turned off, the driver will first go to the startup brightness after turned on then drop down to the level before turned off. If the startup brightness is lower than the brightness before turned off, the driver will directly go to the brightness before turned off.

Set min. brightness level

1. Adjust the brightness of connected load to a desired level between 1 - 50%.
2. Double click "Min. set" key to set the brightness adjusted in step 1 as startup brightness, then the load will first go to startup brightness when turned on every time, then drop down to the brightness before last time turned off.

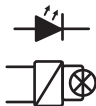

Remove min. brightness level

1. Adjust the brightness of connected load to 0%.
2. Double click "Min. set" key to delete the previously set startup brightness.

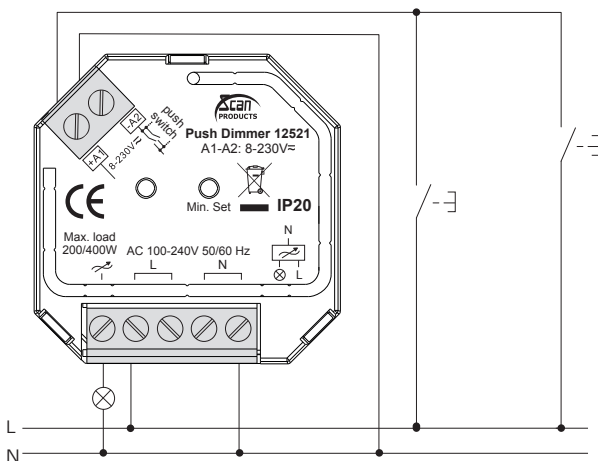
Product data

Input voltage	Output Voltage	Output Current	Size (LxWxH)
100-240VAC	100-240VAC	1.5A max	45.5x45x20 mm

Compatible loads

Load symbol	Load type	Maximum load
	Dimmable LED light sources and electronic transformers	200W
	Incandescent lighting, Halogen lamps	400W

Wiring diagram



We refer to our website www.scan-products.com regarding: products, documentation, approvals, dimmer overview, etc.