

 **Built-in Video Recorder and WiFi Connection**

16 GB internal storage provides 24 hours of video recording capability, or approximately 20,000 images of photo storage. WiFi mode allows for up to 4 connections simultaneously.



Photo



Video



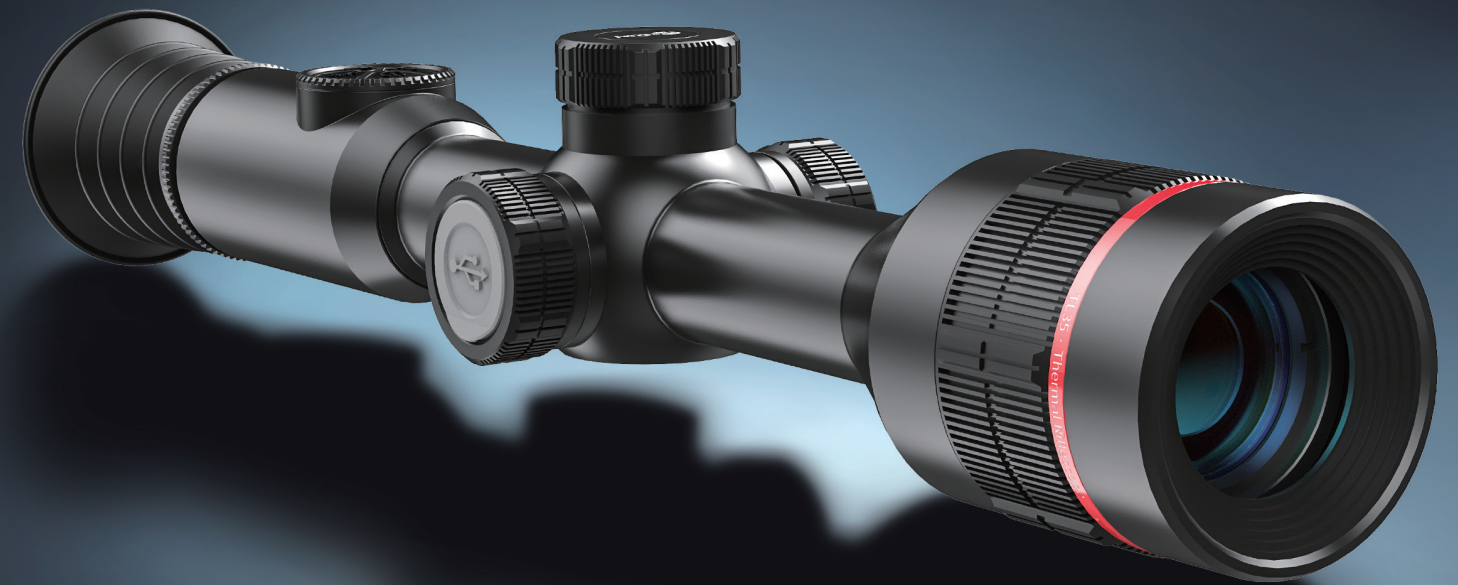
WiFi

Model



TL 35

Detector Resolution	384×288
Pixel Pitch, μm	12
NETD, mK	≤50
Frame Rate, Hz	50
Objective Lens, mm	35
Field of View	7.5°×5.6°
Magnification, ×	3.1~12.4
Eye Relief, mm	60
Diopter Adjustment	-5D~+5D
Display Resolution	1280×960 LCOS
Battery	Built-in battery pack + replaceable 18500 battery
Max. Battery Life, h	10
Weight (without batteries-18500), g	<900
Dimension, mm	400×85×65
Interface	Type-C
Detection Range, m (Target size: 1.7 m×0.5 m, P(n) = 99%)	1816



Tube Series TL 35

The Tube series is a cutting-edge thermal imaging riflescope, which has a similar appearance with the Day riflescope. The state-of-the-art design is especially for professional hunters who value traditions and seek technological superiority.



IRay Technology Co., Ltd.

Tel: 400-998-3088

Fax: +86-535-3410604

Mail: sales@iraytek.com

Web: www.infiray.com www.xinfrared.com

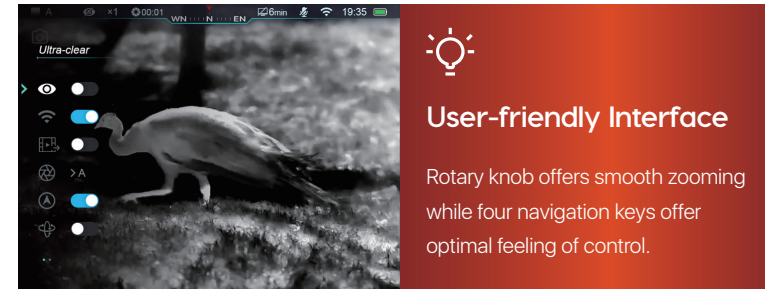
Add: 11th Guiyang Street, YEDA, Yantai 264006, P.R.China





High Image Quality

The Tube Series is designed for faultless operation in extreme weather and temperature conditions. Whether or not the environment is freezing cold or blistering hot, the image retains its contrast and vivid colors without loss of frame rate.



User-friendly Interface

Rotary knob offers smooth zooming while four navigation keys offer optimal feeling of control.

High Shock Resistance

The Tube series features exceptionally high shock resistance up to 1000 G.



Reliable Full Aluminum Housing

The Tube series housing is made of aluminum and is designed to improve reliability.

Mounts on Standard 30 mm Scope Rings

Applicable for 30 mm diameter pipe, the newly designed tubular appearance allows the Tube series to be installed on standard 30 mm scope rings, with simple operation, high stability and reliability.

Sufficient Operation Time and Flexible Battery Choice

8 h

The working time of built-in battery is up to 8 hours, and the replaceable 18500 battery will provide an additional 2 hours of operation.

Extreme Detection Range

1800 m

It combines the advanced thermal imaging sensor and the high-quality germanium optical lens to provide an unprecedented detection range up to 1800 meters, even in complete darkness.

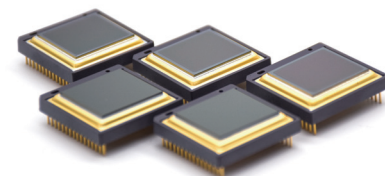
Picture-in-Picture Function

The Picture-in-Picture function improves accuracy by providing a 2x-magnified image of the reticle area at the top of the display. It helps to zoom in on a target while maintaining visibility of the entire field of view.



12 μm Pixel Pitch

The high-performance detector with the pixel pitch of 12 μm is embedded.



Ultraclear Mode

Built-in ultraclear mode is designed for bad weather conditions, such as heavy fog and rain. It will make the Tube series more sensitive and capable of providing more details.

