

Art nr: **P-807B**

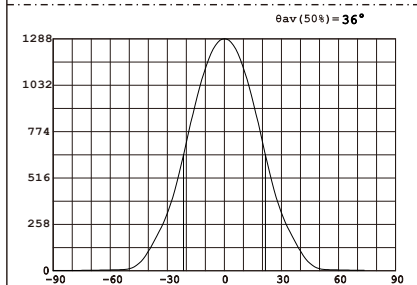
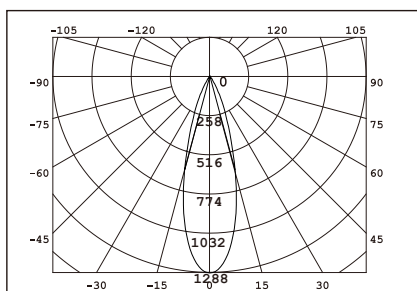
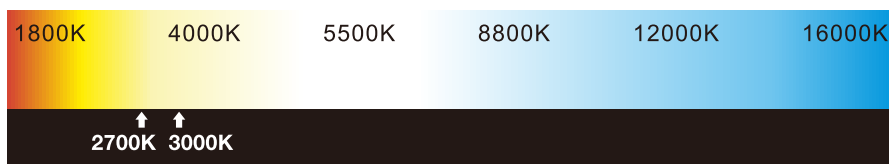
E-nr: **74 030 88**

Effekt Power	Material Material	Färgtemperatur Color temperature	Armaturfärg Fixture color	Anslutning Connection	Ljusflöde Luminous flux
3x7W	Aluminium	3000K	Matt Black	230V	3x554lm

CE, ROHS, IP CERTIFIED BY SGS

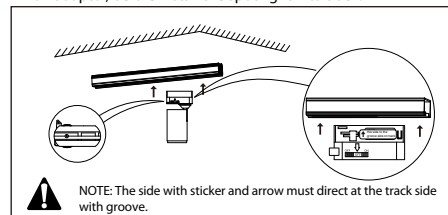


- Dimbar med 350 mA driver
- 79 lm/w med lens, driver
- 93 lm/w utan lens, driver
- CRI Värde > 85
- Dimmable with 350 mA driver
- 79 lm/W with lens, driver
- 93 lm/W without lens, driver
- CRI value > 85

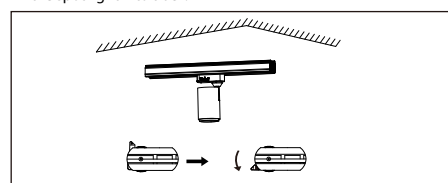


Avstånd	Belysningsstyrka	Spridnings vinkel 36°	Diam.
0.50m	3520, 5154lx		32.18cm
1.00m	880.0, 1288lx		64.36cm
1.50m	391.1, 572.6lx		96.54cm
2.00m	220.0, 322.1lx		128.72cm
3.00m	97.78, 143.2lx		193.08cm

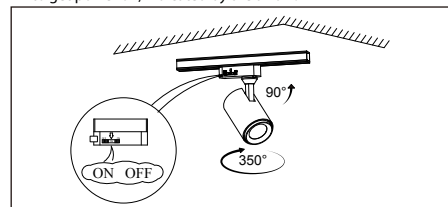
1. Stäng av strömmen/Turn off the power
2. Turn the switch to unlock position to conceal the metal contacts on adaptor, before install the spot light into track.



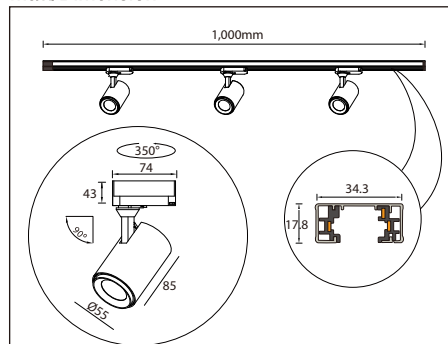
3. Turn the switch anticlockwise to lock the adaptor, after inserting the spot light into track.



4. Turn the switch on adaptor to ON until a clear click sound to get power on, indicated by the arrow.



Mått/Dimension



This luminaire contains built-in LED lamps.

The lamps cannot be changed in the luminaire.

874/2012

Komihåg vid montering av downlight LED

Kontrollmät ALLTID diametern före håttagning i tak. Antal watt per lampa x antalet lampor ger storleken på transformator. Vid installation av LED följ ALLTID kopplingschema.

- OBS! Det är olika transformatorer på LED och halogen.
- 1-2W/kvm vid mjukare belysning normal takhöjd.
- 3-4W/kvm vid allmän belysning normal takhöjd.

- LED är:
- Miljövänlig och energisnål.
 - Lång livslängd, 20,000-50,000 timmar.
 - Låg värmeutveckling, stötsäker.

Trivs bäst i kyla, ju lägre temperatur och god luftarea desto bättre ljuseffekt. För ökad livslängd på LED-lampor bör armaturer med kylfläns användas.

Tänk på att ALLDRIG montera downlight direkt mot lättantändligt material. Desto mer luftarea runt den monterade downlighten, desto säkrare blir installationen. Ökad luftarea ger längre livslängd på ljuskälla och armatur.

Things to remember when installing LED downlights

ALWAYS measure the diameter prior to perforation in ceiling. The amount of Watt per light times the number of lights equal the size of transformer. During installation of LED, ALWAYS adhere to the circuit diagram.

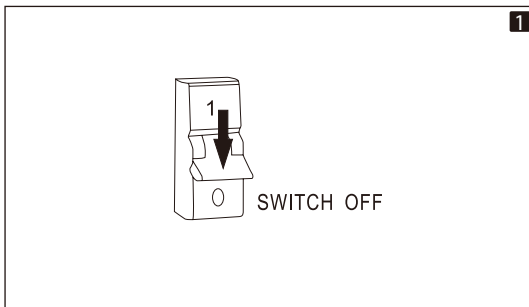
- N.B. Transformers differ for LED and halogen.
- 1-2W/square meter for softer lighting and standard ceiling height.
 - 3-4W/square meter for ambient lighting and standard ceiling height.

- LED is:
- Environmentally friendly and energy efficient.
 - Long life expectancy, 20 000-50 000 hours.
 - Low heat generation, shock resistant.

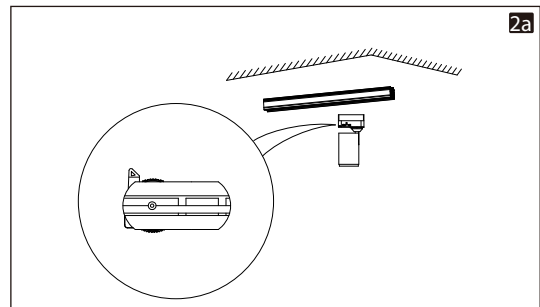
LED lights perform at best in cold, the lower the temperature and the more air volume, the better the light output. For increased longevity on LED lights, fixtures with heat sinks should be used.

Remember to NEVER install a downlight directly adjacent flammable materials. Sufficient air volume surrounding the installed fixture provides a safer installation. Increased air volume increases life expectancy for both light source and fixture.

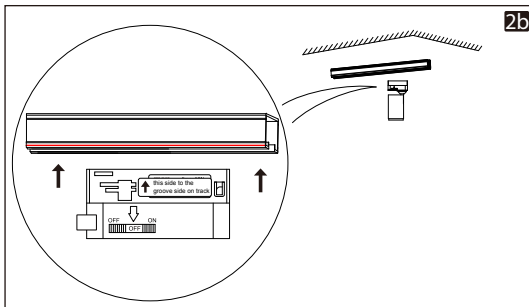
INSTALLATION DIAGRAM



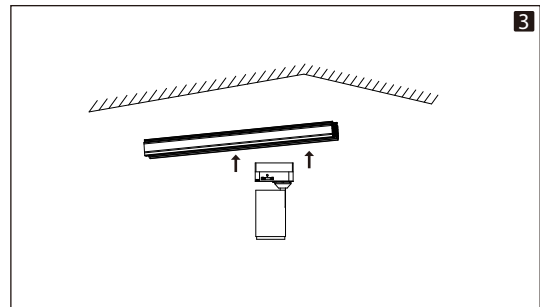
1. Stäng av strömmen/Turn off the power



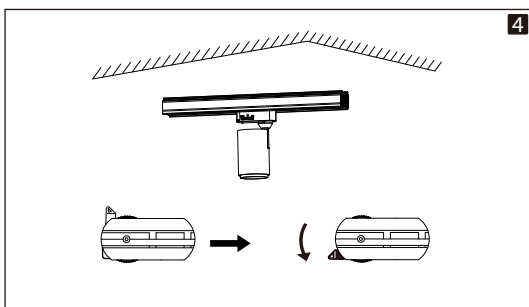
2. Turn the switch to unlock position to conceal the metal contacts on adaptor.



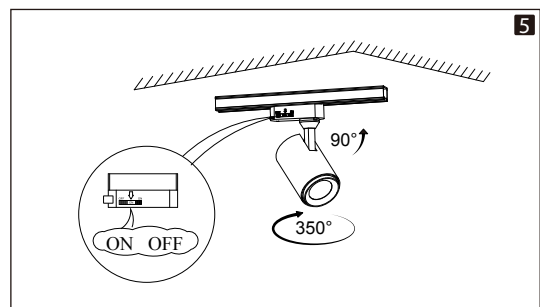
⚠ NOTE: The side with sticker and arrow must direct at the track side with groove.



3. Insert the adaptor into track.



4. Turn the switch anticlockwise to lock the adaptor, after inserting the spot light into track.



5. Turn the switch on adaptor to ON until a clear click sound to get power on, indicated by the arrow.