

Datasheet

NookBox PIR Detector
(P119982 / E6310405)



NookBox

Smart Home Security



NB PIR Detector

(P119982 / E6310405)

Environment Protection with Enhanced Flexibility & Affordability

The detector is a microprocessor controlled PIR Motion Detector that comes with powerful lens, supporting longer detection range up to 15 meters, and wider angle up to 130°. By setting the jumper, you can choose to turn on or off its pet immunity function to prevent false alarms triggered by pets or small to medium size animals, offering quality detection and pet immunity up to 45 kilos.

The advanced Adaptive Digital Signal Processing (ADSP) algorithms in the detector guarantee high performance in sensitivity and reliability. The sensitivity levels of the detector can be adjusted to suit different premises. The detector

leverages industry-leading RF technologies to deliver super speed signal transmission and extensive communication range. The PIR also comes with its own battery cover, which makes battery replacement swift and easy, minimizing maintenance time.

Easy and flexible to install, the detector sends regular supervision signals to check system integrity and has tamper-proof design to prevent the opening or removal of its housing. Technologically advanced and aesthetically appealing, the detector stands out as a broadly applicable device ready to make your home or business safer and smarter.

- Convenient Battery Replacement
- Two Selectable Sensitivity Levels
- Capability to Enable/disable Pet Immunity via Jumper

Features

- Powerful lens to support longer range of 15 meters and wider angle up to 130°
- Microprocessor controlled with advanced Adaptive Digital Signal Processing (ADSP) algorithms for false alarm immunity
- Turn on/off pet immunity by setting a jumper
- Pet weight: up to 45 kilograms
- Capability to remotely adjust sensitivity levels
- Wireless for easy wall or corner mount
- Randomized supervision signals for system integrity
- High immunity to false alarms
- Mounting height: 2.3-2.5 m
- Superior white light and noise rejection
- Automatic power saving mechanism
- Superior radio interference rejection
- Tamper protection against sabotage
- Temperature compensated sensitivity control

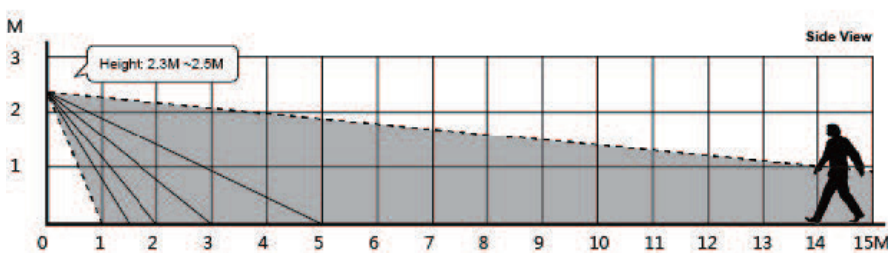
Specifications


NB PIR Detector

Frequency	868 MHz / 919 MHz / 433 MHz
Power Source	1.5V AA Alkaline batteries x 2 / CR123 battery x 1
Backup Battery life	7.6 years / 5.8 years*
Detection Range	15 meters
Horizontal Detection Angle	130°
Mounting Height	2.3m-2.5m
Operating Temperature	-10°C to 45°C (14°F to 113°F)
Operating Humidity	Up to 85% non-condensing
Dimensions	TBA

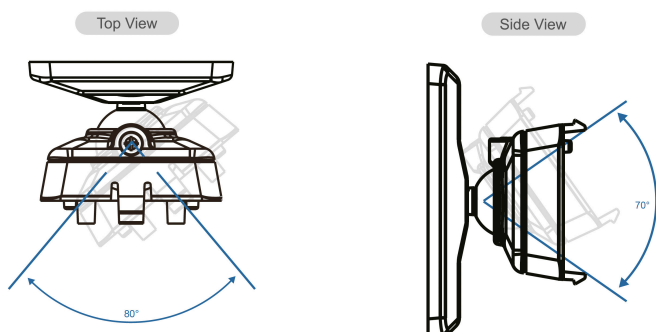
*Note: Actual battery life may vary due with device settings, usage patterns, and operating environment.

Detection Range



Pet's Weight: up to 45 kg 

Compatible with Rotating Holder (Optional)



Ordering Information

IR-35 PIR Motion Detector powered by two Alkaline batteries



NookBox

Smart Home Security

For more information visit:
www.getnookbox.com