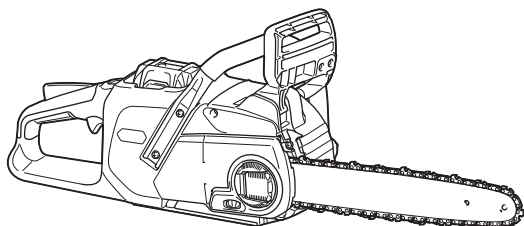




<b>EN</b>	Cordless Chain Saw	<b>INSTRUCTION MANUAL</b>	<b>10</b>
<b>SV</b>	Batteridreven kedjesåg	<b>BRUKSANVISNING</b>	<b>23</b>
<b>NO</b>	Batteridrevet kjedesag	<b>BRUKSANVISNING</b>	<b>36</b>
<b>FI</b>	Langaton ketjusaha	<b>KÄYTTÖOHJE</b>	<b>49</b>
<b>DA</b>	Akku-kædesav	<b>BRUGSANVISNING</b>	<b>62</b>
<b>LV</b>	Bezvada motorzāģis	<b>LIETOŠANAS INSTRUKCIJA</b>	<b>75</b>
<b>LT</b>	Belaidis grandininis pjūklas	<b>NAUDOJIMO INSTRUKCIJA</b>	<b>88</b>
<b>ET</b>	Juhtmeta kettsaag	<b>KASUTUSJUHEND</b>	<b>101</b>
<b>RU</b>	Цепная пила с питанием от аккумуляторной батареи	<b>РУКОВОДСТВО ПО ЭКСПЛУАТАЦИИ</b>	<b>114</b>

**UC014G**  
**UC015G**  
**UC016G**  
**UC017G**



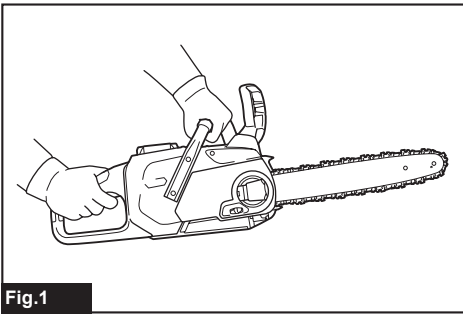


Fig.1

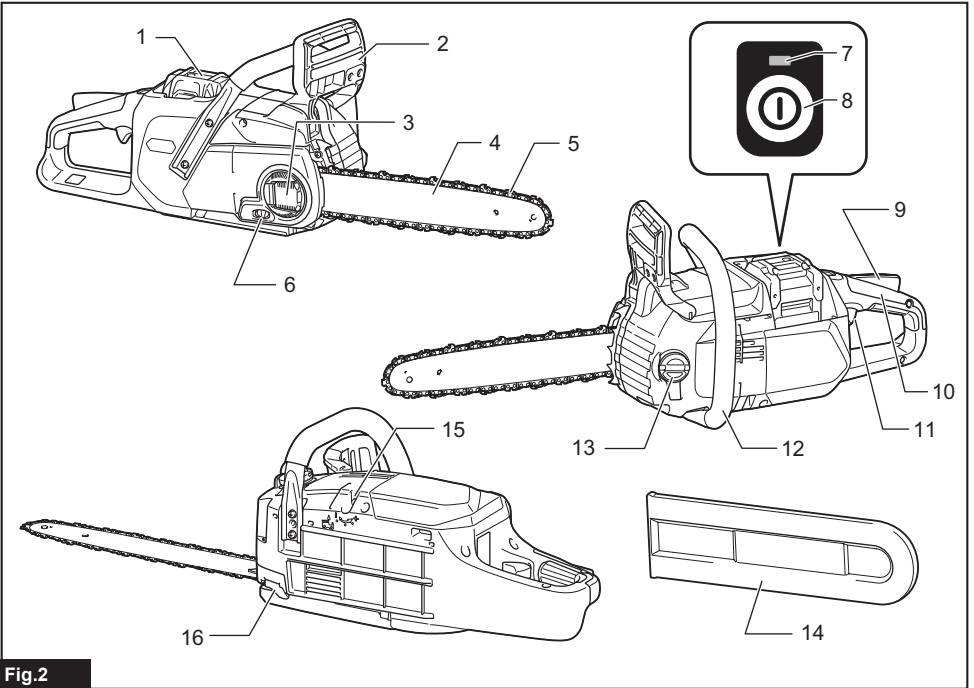


Fig.2

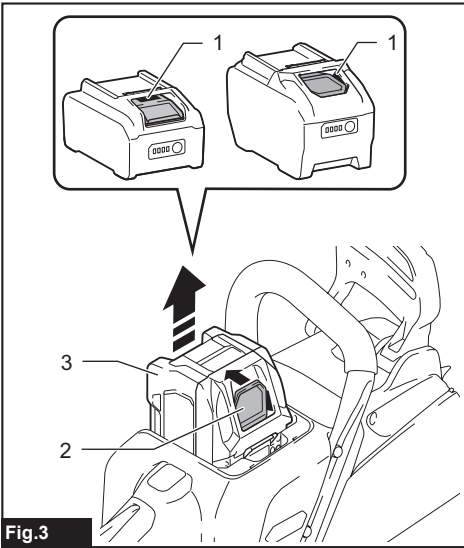


Fig.3

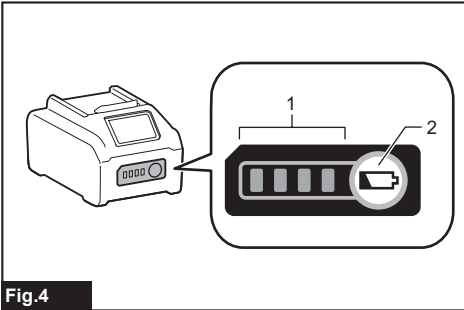


Fig.4

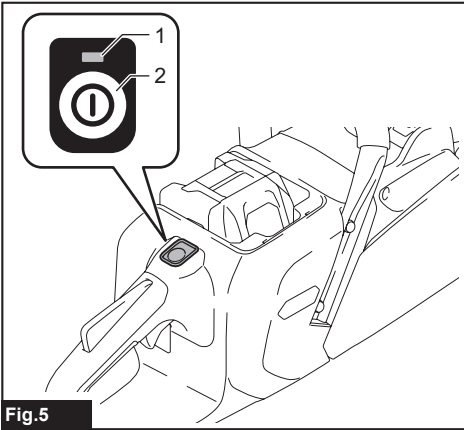


Fig.5

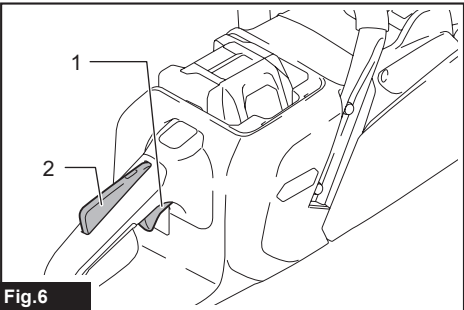


Fig.6

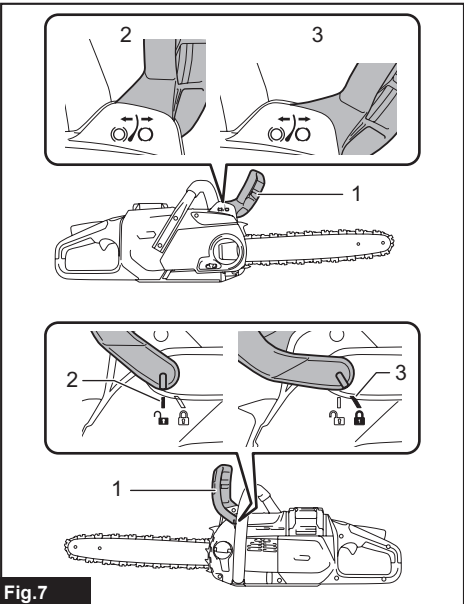


Fig.7

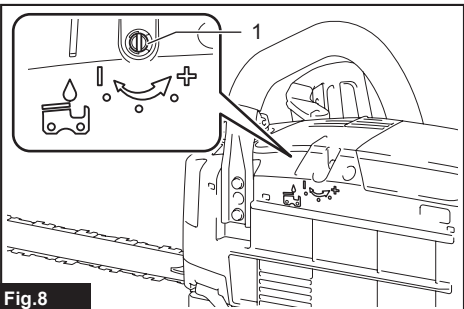


Fig.8

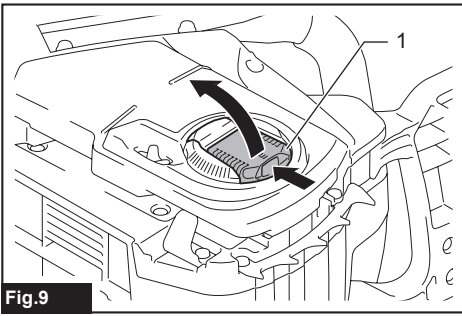


Fig.9

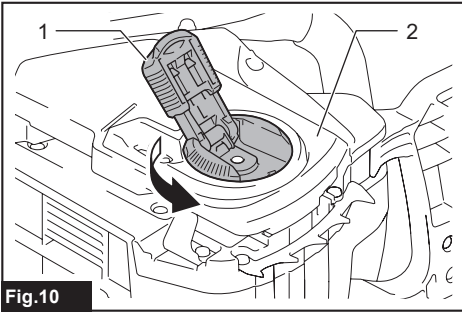


Fig.10

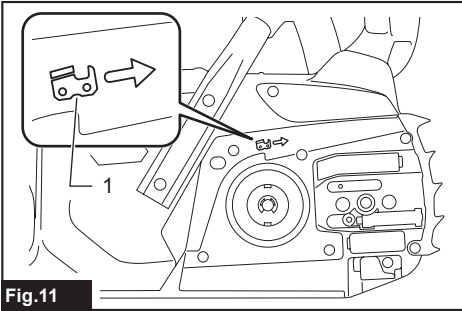


Fig.11

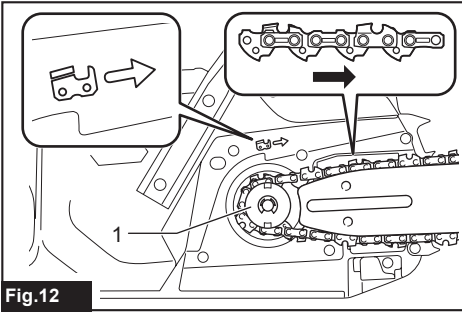


Fig.12

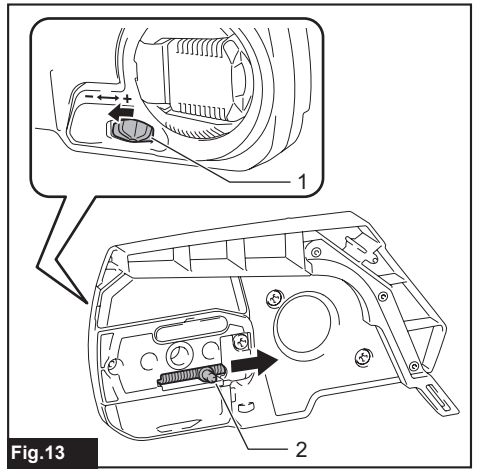


Fig.13

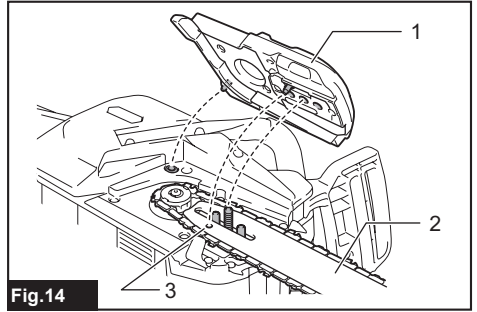


Fig.14

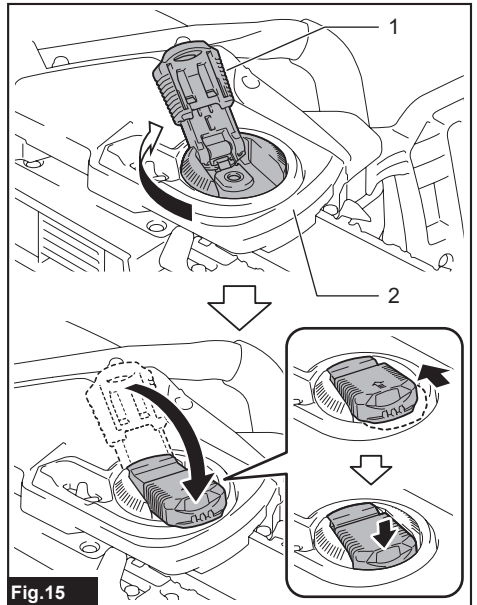


Fig.15

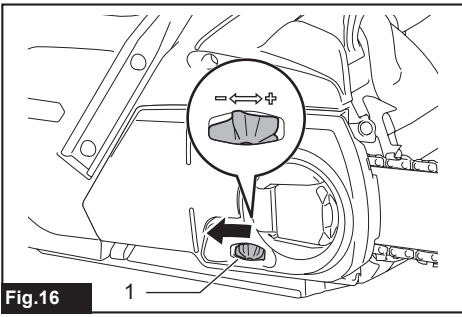


Fig.16

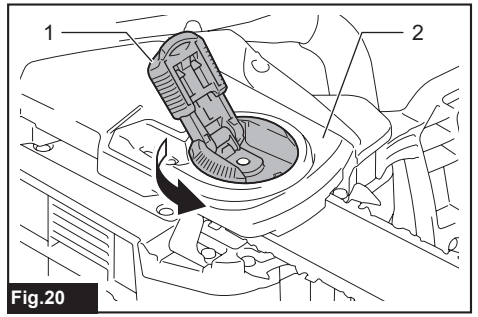


Fig.20

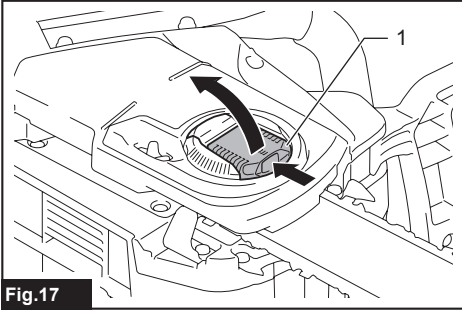


Fig.17

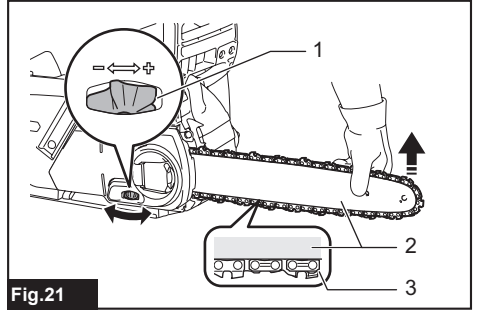


Fig.21

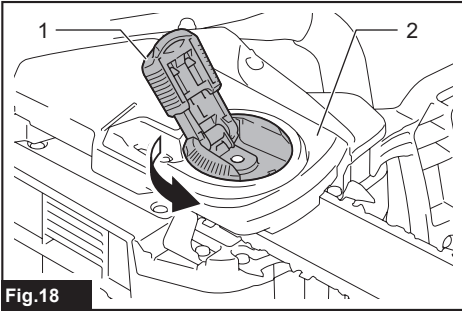


Fig.18

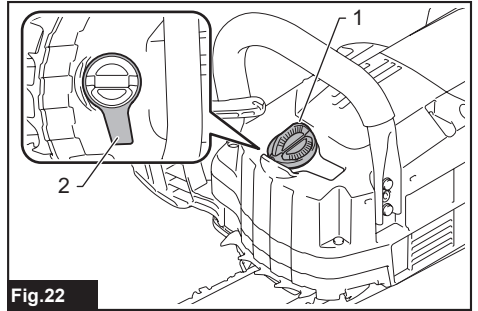


Fig.22

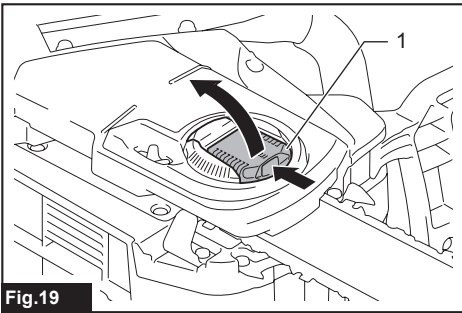


Fig.19

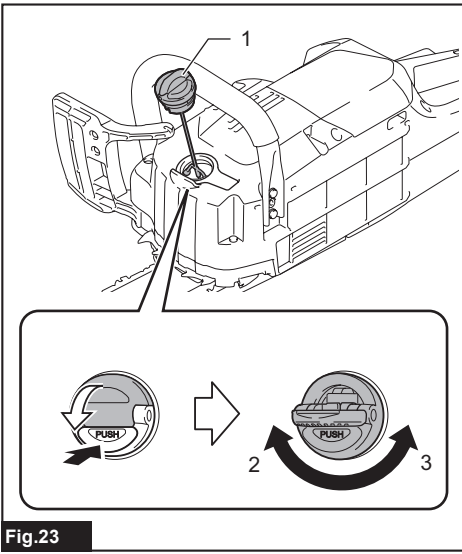


Fig. 23

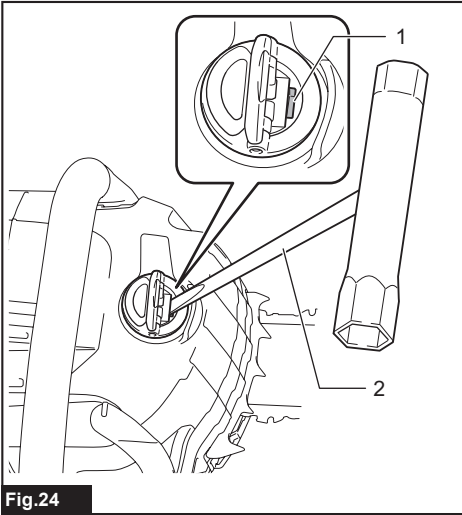


Fig. 24

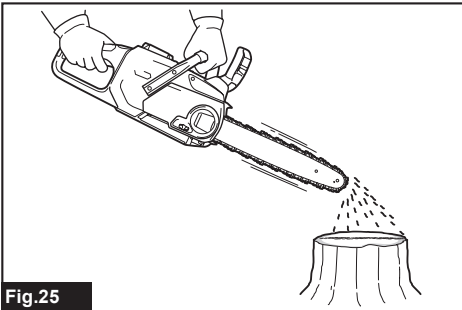


Fig. 25

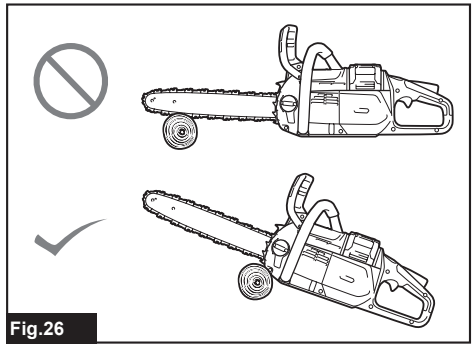


Fig. 26

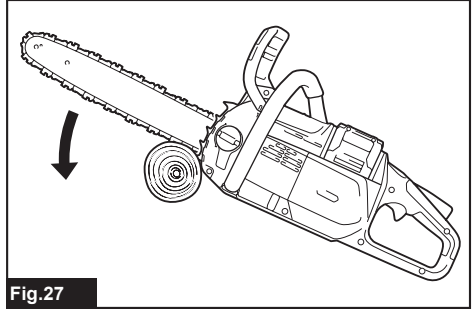


Fig. 27

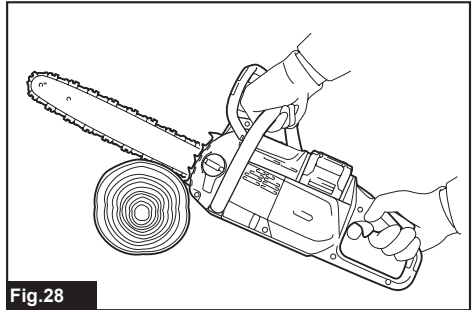


Fig. 28

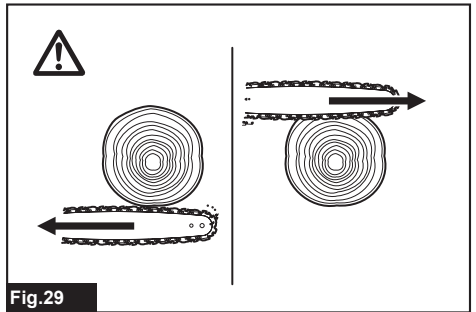


Fig. 29

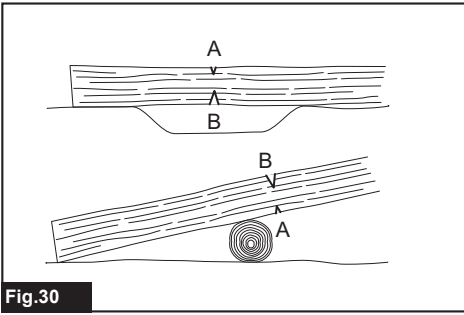


Fig.30

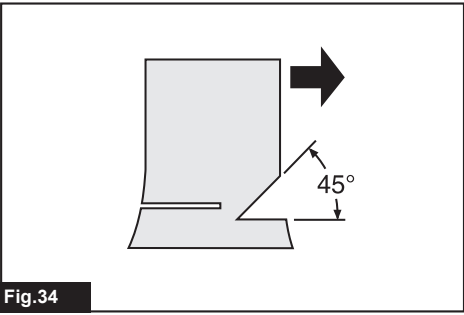


Fig.34

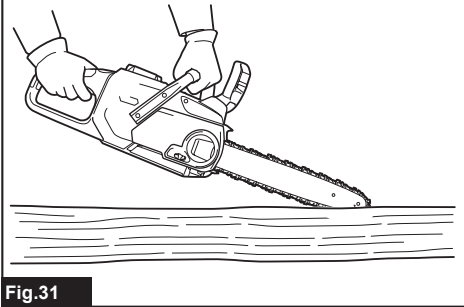


Fig.31

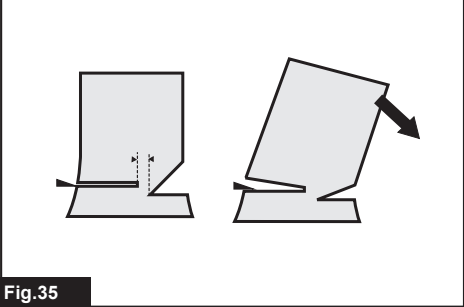


Fig.35

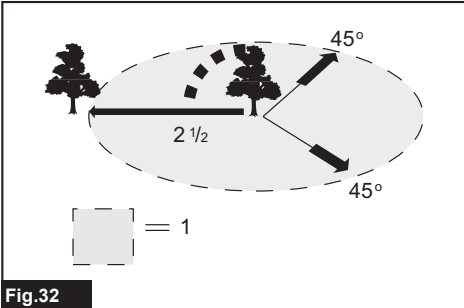


Fig.32

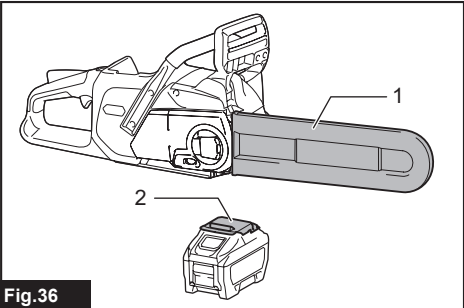


Fig.36

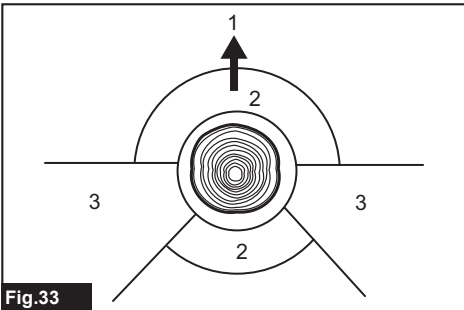


Fig.33

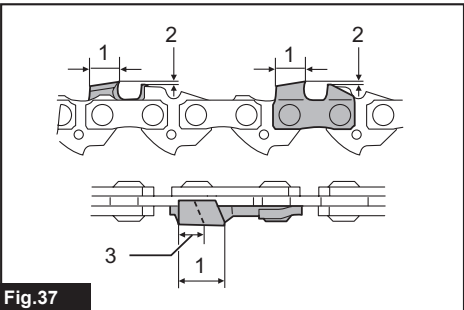
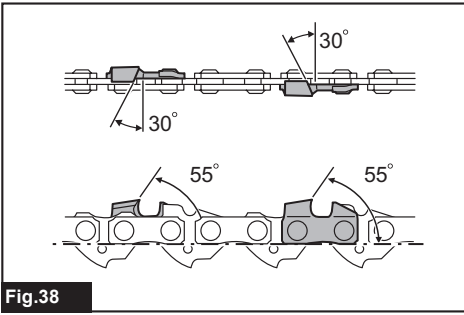
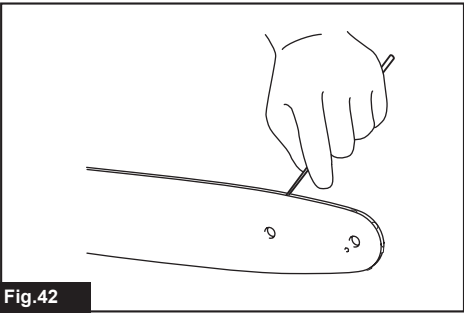


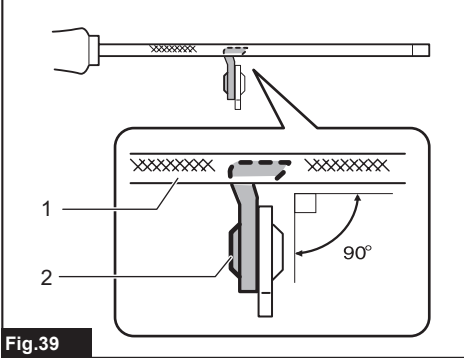
Fig.37



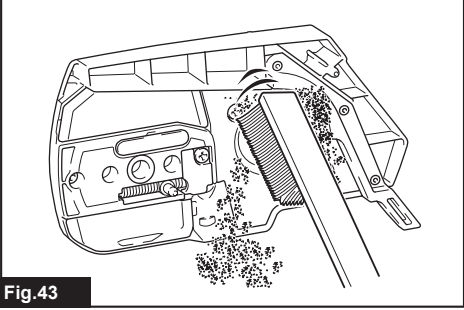
**Fig.38**



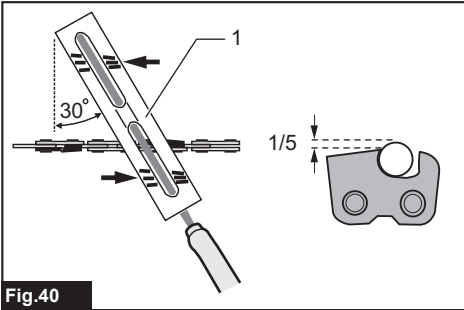
**Fig.42**



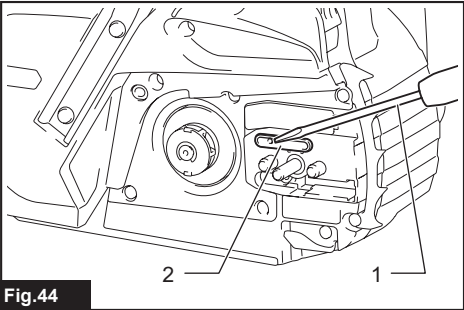
**Fig.39**



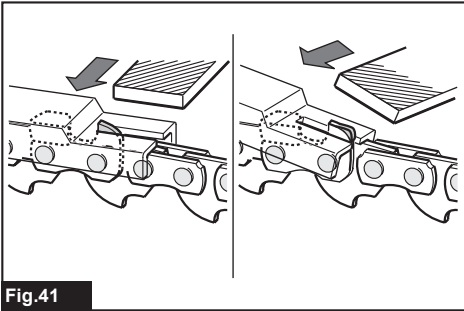
**Fig.43**



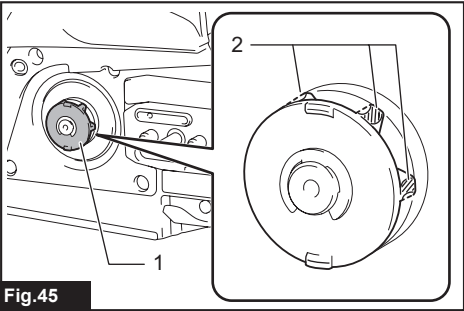
**Fig.40**



**Fig.44**

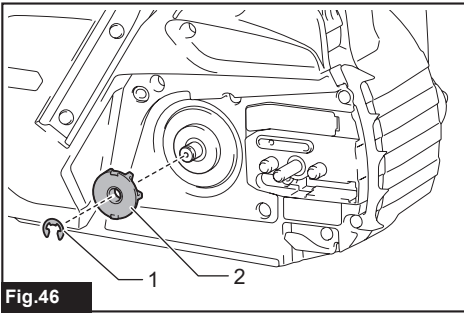


**Fig.41**



**Fig.45**





**Fig.46**

# SPECIFICATIONS

Model:		UC014G	UC015G	UC016G	UC017G
Overall length (without guide bar)		445 mm			
Rated voltage		D.C. 36 V - 40 V max			
Net weight	*1	4.5 kg			
	*2	6.2 - 6.9 kg			
Standard guide bar length		300 mm	350 mm	400 mm	450 mm
Recommended guide bar length		300 - 450 mm			
Applicable saw chain type (refer to the table below)		91PX 80TXL			
Sprocket (91PX)	Number of teeth	6			
	Pitch	3/8"			
Sprocket (80TXL)	Number of teeth	7			
	Pitch	0.325"			
Chain speed		0 - 25.5 m/s (0 - 1,530 m/min)			
Chain oil tank volume		260 cm <sup>3</sup>			
Protection degree		IPX4			

- Due to our continuing program of research and development, the specifications herein are subject to change without notice.
- Specifications may differ from country to country.

\*1: Weight, without the saw chain, guide bar, guide bar cover, oil and battery cartridge(s).

\*2: The lightest and heaviest combination of weight, according to EPTA-Procedure 01/2014. The weight may differ depending on the attachment(s), including the battery cartridge(s).

## Saw chain, guide bar, and sprocket combination

Saw chain type		91PX			
Number of drive links		46	52	56	62
Guide bar	Guide bar length	300 mm	350 mm	400 mm	450 mm
	Cutting length	268 mm	324 mm	361 mm	418 mm
	Pitch	3/8"			
	Gauge	1.3 mm			
	Type	Sprocket nose bar			
Sprocket	Number of teeth	6			
	Pitch	3/8"			

Saw chain type		80TXL			
Number of drive links		51	59	64	70
Guide bar	Guide bar length	300 mm	350 mm	400 mm	450 mm
	Cutting length	259 mm	325 mm	366 mm	416 mm
	Pitch	0.325"			
	Gauge	1.1 mm			
	Type	Sprocket nose bar			
Sprocket	Number of teeth	7			
	Pitch	0.325"			

**⚠ WARNING:** Use appropriate combination of the guide bar and saw chain. Otherwise personal injury may result.

## Applicable battery cartridge and charger

Battery cartridge	BL4040 / BL4050F* *: Recommended battery
Charger	DC40RA / DC40RB / DC40RC

- Some of the battery cartridges and chargers listed above may not be available depending on your region of residence.

**⚠ WARNING: Only use the battery cartridges and chargers listed above.** Use of any other battery cartridges and chargers may cause injury and/or fire.





## Recommended cord connected power source

Portable power pack	PDC01
---------------------	-------

- The cord connected power source(s) listed above may not be available depending on your region of residence.
- Before using the cord connected power source, read instruction and cautionary markings on them.

## Symbols

The followings show the symbols which may be used for the equipment. Be sure that you understand their meaning before use.

	Read instruction manual.
	Wear safety glasses.
	Wear ear protection.
	Wear a helmet, goggles and ear protection.
	Maximum permissible cut length
	Always use two hands when operating the chain saw.
	Beware of chain saw kickback and avoid contact with bar tip.
	Direction of chain travel
	Saw chain oil adjustment
 Ni-MH L-ion	Only for EU countries Due to the presence of hazardous components in the equipment, waste electrical and electronic equipment, accumulators and batteries may have a negative impact on the environment and human health. Do not dispose of electrical and electronic appliances or batteries with household waste! In accordance with the European Directive on waste electrical and electronic equipment and on accumulators and batteries and waste accumulators and batteries, as well as their adaptation to national law, waste electrical equipment, batteries and accumulators should be stored separately and delivered to a separate collection point for municipal waste, operating in accordance with the regulations on environmental protection. This is indicated by the symbol of the crossed-out wheeled bin placed on the equipment.



Guaranteed sound power level according to EU Outdoor Noise Directive.



Sound power level according to Australia NSW Noise Control Regulation.

## Intended use

This chain saw is intended for sawing wood.

## Noise

The typical A-weighted noise level determined according to EN62841-4-1:

### Model UC014G

Sound pressure level ( $L_{pA}$ ): 91 dB(A)

Sound power level ( $L_{WA}$ ): 102 dB (A)

Uncertainty (K): 3 dB(A)

### Model UC015G

Sound pressure level ( $L_{pA}$ ): 91 dB(A)

Sound power level ( $L_{WA}$ ): 102 dB (A)

Uncertainty (K): 3 dB(A)

### Model UC016G

Sound pressure level ( $L_{pA}$ ): 91 dB(A)

Sound power level ( $L_{WA}$ ): 102 dB (A)

Uncertainty (K): 3 dB(A)

### Model UC017G

Sound pressure level ( $L_{pA}$ ): 91 dB(A)

Sound power level ( $L_{WA}$ ): 102 dB (A)

Uncertainty (K): 3 dB(A)

**NOTE:** The declared noise emission value(s) has been measured in accordance with a standard test method and may be used for comparing one tool with another.

**NOTE:** The declared noise emission value(s) may also be used in a preliminary assessment of exposure.

**⚠ WARNING:** Wear ear protection.

**⚠ WARNING:** The noise emission during actual use of the power tool can differ from the declared value(s) depending on the ways in which the tool is used especially what kind of workpiece is processed.

**⚠ WARNING:** Be sure to identify safety measures to protect the operator that are based on an estimation of exposure in the actual conditions of use (taking account of all parts of the operating cycle such as the times when the tool is switched off and when it is running idle in addition to the trigger time).

## Vibration

The vibration total value (tri-axial vector sum) determined according to EN62841-4-1:

### Model UC014G

Work mode: cutting wood

Vibration emission ( $a_{h,w}$ ): 5.0 m/s<sup>2</sup>

Uncertainty (K): 1.5 m/s<sup>2</sup>

### Model UC015G

Work mode: cutting wood

Vibration emission ( $a_{h,w}$ ): 5.0 m/s<sup>2</sup>

Uncertainty (K): 1.5 m/s<sup>2</sup>

### Model UC016G

Work mode: cutting wood

Vibration emission ( $a_{h,w}$ ): 5.0 m/s<sup>2</sup>

Uncertainty (K): 1.5 m/s<sup>2</sup>

### Model UC017G

Work mode: cutting wood

Vibration emission ( $a_{h,w}$ ): 5.0 m/s<sup>2</sup>

Uncertainty (K): 1.5 m/s<sup>2</sup>

**NOTE:** The declared vibration total value(s) has been measured in accordance with a standard test method and may be used for comparing one tool with another.

**NOTE:** The declared vibration total value(s) may also be used in a preliminary assessment of exposure.

**⚠ WARNING:** The vibration emission during actual use of the power tool can differ from the declared value(s) depending on the ways in which the tool is used especially what kind of workpiece is processed.

**⚠ WARNING:** Be sure to identify safety measures to protect the operator that are based on an estimation of exposure in the actual conditions of use (taking account of all parts of the operating cycle such as the times when the tool is switched off and when it is running idle in addition to the trigger time).

## EC Declaration of Conformity

### For European countries only

The EC declaration of conformity is included as Annex A to this instruction manual.

# SAFETY WARNINGS

## General power tool safety warnings

**⚠ WARNING:** Read all safety warnings, instructions, illustrations and specifications provided with this power tool. Failure to follow all instructions listed below may result in electric shock, fire and/or serious injury.

## Save all warnings and instructions for future reference.

The term "power tool" in the warnings refers to your mains-operated (corded) power tool or battery-operated (cordless) power tool.

## General chain saw safety warnings

1. **Keep all parts of the body away from the saw chain when the chain saw is operating. Before you start the chain saw, make sure the saw chain is not contacting anything.** A moment of inattention while operating chain saws may cause entanglement of your clothing or body with the saw chain.
2. **Always hold the chain saw with your right hand on the rear handle and your left hand on the front handle.** Holding the chain saw with a reversed hand configuration increases the risk of personal injury and should never be done.
3. **Hold the chain saw by insulated gripping surfaces only, because the saw chain may contact hidden wiring.** Saw chains contacting a "live" wire may make exposed metal parts of the chain saw "live" and could give the operator an electric shock.
4. **Wear eye protection. Further protective equipment for hearing, head, hands, legs and feet is recommended.** Adequate protective equipment will reduce personal injury from flying debris or accidental contact with the saw chain.
5. **Do not operate a chain saw in a tree, on a ladder, from a rooftop, or any unstable support.** Operation of a chain saw in this manner could result in serious personal injury.
6. **Always keep proper footing and operate the chain saw only when standing on fixed, secure and level surface.** Slippery or unstable surfaces may cause a loss of balance or control of the chain saw.
7. **When cutting a limb that is under tension, be alert for spring back.** When the tension in the wood fibres is released, the spring loaded limb may strike the operator and/or throw the chain saw out of control.
8. **Use extreme caution when cutting brush and saplings.** The slender material may catch the saw chain and be whipped toward you or pull you off balance.
9. **Carry the chain saw by the front handle with the chain saw switched off and away from your body. When transporting or storing the chain saw, always fit the guide bar cover.** Proper handling of the chain saw will reduce the likelihood of accidental contact with the moving saw chain.

10. **Follow instructions for lubricating, chain tensioning and changing the bar and chain.** Improperly tensioned or lubricated chain may either break or increase the chance for kickback.
11. **Cut wood only. Do not use chain saw for purposes not intended. For example: do not use chain saw for cutting metal, plastic, masonry or non-wood building materials.** Use of the chain saw for operations different than intended could result in a hazardous situation.
12. **Do not attempt to fell a tree until you have an understanding of the risks and how to avoid them.** Serious injury could occur to the operator or bystanders while felling a tree.
13. **Causes and operator prevention of kickback:** Kickback may occur when the nose or tip of the guide bar touches an object, or when the wood closes in and pinches the saw chain in the cut. Tip contact in some cases may cause a sudden reverse reaction, kicking the guide bar up and back towards the operator. Pinching the saw chain along the top of the guide bar may push the guide bar rapidly back towards the operator. Either of these reactions may cause you to lose control of the saw which could result in serious personal injury. Do not rely exclusively upon the safety devices built into your saw. As a chain saw user, you should take several steps to keep your cutting jobs free from accident or injury. Kickback is the result of chain saw misuse and/or incorrect operating procedures or conditions and can be avoided by taking proper precautions as given below:
  - **Maintain a firm grip, with thumbs and fingers encircling the chain saw handles, with both hands on the saw and position your body and arm to allow you to resist kickback forces.** Kickback forces can be controlled by the operator, if proper precautions are taken. Do not let go of the chain saw.

► Fig.1

- **Do not overreach and do not cut above shoulder height.** This helps prevent unintended tip contact and enables better control of the chain saw in unexpected situations.
  - **Only use replacement guide bars and saw chains specified by the manufacturer.** Incorrect replacement guide bars and saw chains may cause chain breakage and/or kickback.
  - **Follow the manufacturer's sharpening and maintenance instructions for the saw chain.** Decreasing the depth gauge height can lead to increased kickback.
14. **Follow all instructions when clearing jammed material, storing or servicing the chain saw. Make sure the switch is off and the battery pack is removed.** Unexpected actuation of the chain saw while clearing jammed material or servicing may result in serious personal injury.

## Additional Safety Instructions

### Personal protective equipment

1. **Clothing must be close-fitting, but must not obstruct mobility.**
2. **Wear the following protective clothing during work:**
  - A tested safety helmet, if a hazard is presented by falling branches or similar;
  - A face mask or goggles;
  - Suitable ear protection (ear muffs, custom or mouldable ear plugs). Octave band analysis upon request.
  - Firm leather safety gloves;
  - Long trousers manufactured from strong fabric;
  - Protective dungarees of cut-resistant fabric;
  - Safety shoes or boots with non-slip soles, steel toes, and cut-resistant fabric lining;
  - A breathing mask, when carrying out work which produces dust (e.g. sawing dry wood).

### Operation

1. **Before starting work, check that the chain saw is in proper working order and that its condition complies with the safety regulations. Check in particular that:**
  - The chain brake is working properly;
  - The run-down brake is working properly;
  - The bar and the sprocket cover are fitted correctly;
  - The chain has been sharpened and tensioned in accordance with the regulations.
2. **Do not start the chain saw with the chain cover being installed on it.** Starting the chain saw with the chain cover being installed on it may cause the chain cover to be thrown out forward resulting in personal injury and damage to objects around the operator.
3. **When you use the tool on muddy ground, wet slope, or slippery place, pay attention to your footing.**
4. **Do not submerge the tool into a puddle.**
5. **Do not leave the tool unattended outdoors in the rain.**

### Electrical and battery safety

1. **Avoid dangerous environment. Don't use the tool in dump or wet locations or expose it to rain.** Water entering the tool will increase the risk of electric shock.
2. **Do not dispose of the battery(ies) in a fire.** The cell may explode. Check with local codes for possible special disposal instructions.
3. **Do not open or mutilate the battery(ies).** Released electrolyte is corrosive and may cause damage to the eyes or skin. It may be toxic if swallowed.
4. **Do not charge battery in rain, or in wet locations.**
5. **Do not charge the battery outdoors.**
6. **Do not handle charger, including charger plug, and charger terminals with wet hands.**
7. **Do not replace the battery in the rain.**
8. **Do not replace the battery with wet hands.**
9. **Do not leave the battery in the rain, nor charge, use, or store the battery in a damp or wet place.**

10. **Do not wet the terminal of battery with liquid such as water, or submerge the battery.** If the terminal gets wet or liquid enters inside of battery, the battery may be short circuited and there is a risk of overheat, fire, or explosion.
11. **After removing the battery from the machine or charger, be sure to attach the battery cover to the battery and store it in a dry place.**
12. **If the battery cartridge gets wet, drain the water inside and then wipe it with a dry cloth. Dry the battery cartridge completely in a dry place before use.**

#### Maintenance and storage

1. **When storing the tool, avoid direct sunlight and rain, and store it in a place where it does not get hot or humid.**

## SAVE THESE INSTRUCTIONS.

**⚠WARNING:** DO NOT let comfort or familiarity with product (gained from repeated use) replace strict adherence to safety rules for the subject product. MISUSE or failure to follow the safety rules stated in this instruction manual may cause serious personal injury.

### Important safety instructions for battery cartridge

1. **Before using battery cartridge, read all instructions and cautionary markings on (1) battery charger, (2) battery, and (3) product using battery.**
2. **Do not disassemble or tamper with the battery cartridge.** It may result in a fire, excessive heat, or explosion.
3. **If operating time has become excessively shorter, stop operating immediately.** It may result in a risk of overheating, possible burns and even an explosion.
4. **If electrolyte gets into your eyes, rinse them out with clear water and seek medical attention right away.** It may result in loss of your eyesight.
5. **Do not short the battery cartridge:**
  - (1) **Do not touch the terminals with any conductive material.**
  - (2) **Avoid storing battery cartridge in a container with other metal objects such as nails, coins, etc.**
  - (3) **Do not expose battery cartridge to water or rain.**

A battery short can cause a large current flow, overheating, possible burns and even a breakdown.

6. **Do not store and use the tool and battery cartridge in locations where the temperature may reach or exceed 50 °C (122 °F).**
7. **Do not incinerate the battery cartridge even if it is severely damaged or is completely worn out. The battery cartridge can explode in a fire.**
8. **Do not nail, cut, crush, throw, drop the battery cartridge, or hit against a hard object to the battery cartridge.** Such conduct may result in a fire, excessive heat, or explosion.
9. **Do not use a damaged battery.**
10. **The contained lithium-ion batteries are subject to the Dangerous Goods Legislation requirements.** For commercial transports e.g. by third parties, forwarding agents, special requirement on packaging and labeling must be observed. For preparation of the item being shipped, consulting an expert for hazardous material is required. Please also observe possibly more detailed national regulations.
  - Tape or mask off open contacts and pack up the battery in such a manner that it cannot move around in the packaging.
11. **When disposing the battery cartridge, remove it from the tool and dispose of it in a safe place. Follow your local regulations relating to disposal of battery.**
12. **Use the batteries only with the products specified by Makita.** Installing the batteries to non-compliant products may result in a fire, excessive heat, explosion, or leak of electrolyte.
13. **If the tool is not used for a long period of time, the battery must be removed from the tool.**
14. **During and after use, the battery cartridge may take on heat which can cause burns or low temperature burns. Pay attention to the handling of hot battery cartridges.**
15. **Do not touch the terminal of the tool immediately after use as it may get hot enough to cause burns.**
16. **Do not allow chips, dust, or soil stuck into the terminals, holes, and grooves of the battery cartridge.** It may cause heating, catching fire, burst and malfunction of the tool or battery cartridge, resulting in burns or personal injury.
17. **Unless the tool supports the use near high-voltage electrical power lines, do not use the battery cartridge near a high-voltage electrical power lines.** It may result in a malfunction or breakdown of the tool or battery cartridge.
18. **Keep the battery away from children.**

## SAVE THESE INSTRUCTIONS.

**⚠CAUTION:** Only use genuine Makita batteries. Use of non-genuine Makita batteries, or batteries that have been altered, may result in the battery bursting causing fires, personal injury and damage. It will also void the Makita warranty for the Makita tool and charger.

## Tips for maintaining maximum battery life

1. **Charge the battery cartridge before completely discharged. Always stop tool operation and charge the battery cartridge when you notice less tool power.**
2. **Never recharge a fully charged battery cartridge. Overcharging shortens the battery service life.**
3. **Charge the battery cartridge with room temperature at 10 °C - 40 °C (50 °F - 104 °F). Let a hot battery cartridge cool down before charging it.**
4. **When not using the battery cartridge, remove it from the tool or the charger.**
5. **Charge the battery cartridge if you do not use it for a long period (more than six months).**

# PARTS DESCRIPTION

► Fig.2

1	Battery cartridge	2	Front hand guard	3	Lever
4	Guide bar	5	Saw chain	6	Adjusting dial
7	Main power lamp	8	Main power switch	9	Lock-off lever
10	Rear handle	11	Switch trigger	12	Front handle
13	Oil tank cap	14	Guide bar cover	15	Adjusting screw (for oil pump)
16	Chain catcher	-	-	-	-

## FUNCTIONAL DESCRIPTION

**CAUTION:** Always be sure that the tool is switched off and the battery cartridge is removed before adjusting or checking function on the tool.

### Installing or removing battery cartridge

**CAUTION:** Always switch off the tool before installing or removing of the battery cartridge.

**CAUTION:** Hold the tool and the battery cartridge firmly when installing or removing battery cartridge. Failure to hold the tool and the battery cartridge firmly may cause them to slip off your hands and result in damage to the tool and battery cartridge and a personal injury.

► Fig.3: 1. Red indicator 2. Button 3. Battery cartridge

To remove the battery cartridge, slide it from the tool while sliding the button on the front of the cartridge.

To install the battery cartridge, align the tongue on the battery cartridge with the groove in the housing and slip it into place. Insert it all the way until it locks in place with a little click. If you can see the red indicator as shown in the figure, it is not locked completely.

**CAUTION:** Always install the battery cartridge fully until the red indicator cannot be seen. If not, it may accidentally fall out of the tool, causing injury to you or someone around you.

**CAUTION:** Do not install the battery cartridge forcibly. If the cartridge does not slide in easily, it is not being inserted correctly.

### Indicating the remaining battery capacity

Press the check button on the battery cartridge to indicate the remaining battery capacity. The indicator lamps light up for a few seconds.

► Fig.4: 1. Indicator lamps 2. Check button

Indicator lamps			Remaining capacity
Lighted	Off	Blinking	
■ ■ ■ ■			75% to 100%
■ ■ ■ □			50% to 75%
■ ■ □ □			25% to 50%
■ □ □ □			0% to 25%
▣ □ □ □			Charge the battery.
■ ■ □ □			The battery may have malfunctioned.
□ □ ■ ■			

**NOTE:** Depending on the conditions of use and the ambient temperature, the indication may differ slightly from the actual capacity.

**NOTE:** The first (far left) indicator lamp will blink when the battery protection system works.

### Tool / battery protection system

The tool is equipped with a tool/battery protection system. This system automatically cuts off power to the motor to extend tool and battery life. The tool will automatically stop during operation if the tool or battery is placed under one of the following conditions:

#### Overload protection

When the battery is operated in a manner that causes it to draw an abnormally high current, the tool automatically stops and the main power lamp blinks in green. In this situation, turn the tool off and stop the application that caused the tool to become overloaded. Then turn the tool on to restart.

## Overheat protection

When the tool or battery is overheated, the tool stops automatically and the main power lamp lights up in red. In this case, let the tool and battery cool before turning the tool on again.

**NOTE:** In high temperature environment, the overheat protection likely to work and the tool stops automatically.

## Overdischarge protection

When the battery capacity is not enough, the tool stops automatically and the main power lamp blinks in red. In this case, remove the battery from the tool and charge the battery.

## Protections against other causes

Protection system is also designed for other causes that could damage the tool and allows the tool to stop automatically. Take all the following steps to clear the causes, when the tool has been brought to a temporary halt or stop in operation.

1. Turn the tool off, and then turn it on again to restart.
2. Charge the battery(ies) or replace it/them with recharged battery(ies).
3. Let the machine and battery(ies) cool down.

If no improvement can be found by restoring protection system, then contact your local Makita Service Center.

**NOTICE:** If the tool stops due to a cause not described above, refer to the section for troubleshooting.

## Main power switch

**WARNING:** Always turn off the main power switch when not in use.

To turn on the tool, press the main power switch. The main power lamp lights up in green. To turn off, press the main power switch again.

► **Fig.5:** 1. Main power lamp 2. Main power switch

**NOTE:** The main power lamp blinks in green if the switch trigger is pulled under unoperable conditions. The lamp blinks in one of the following conditions.

- When you turn on the main power switch while holding down the lock-off lever and the switch trigger.
- When you pull the switch trigger while the chain brake is applied.
- When you release the chain brake while holding down the lock-off lever and pulling the switch trigger.

**NOTE:** This tool employs the auto power-off function. To avoid unintentional start up, the main power switch will automatically shut down when the switch trigger is not pulled for a certain period after the main power switch is turned on.

## Switch action

**WARNING:** For your safety, this tool is equipped with lock-off lever which prevents the tool from unintended starting. NEVER use the tool if it runs when you simply pull the switch trigger without pressing the lock-off lever. Return the tool to our authorized service center for proper repairs BEFORE further usage.

**WARNING:** NEVER tape down or defeat purpose and function of lock-off lever.

**CAUTION:** Before installing the battery cartridge into the tool, always check to see that the switch trigger actuates properly and returns to the "OFF" position when released.

**NOTICE:** Do not pull the switch trigger hard without pressing the lock-off lever. This can cause switch breakage.

To prevent the switch trigger from being accidentally pulled, a lock-off lever is provided. To start the tool, depress the lock-off lever and pull the switch trigger. Tool speed is increased by increasing pressure on the switch trigger. Release the switch trigger to stop.

► **Fig.6:** 1. Switch trigger 2. Lock-off lever

## Checking the chain brake

**CAUTION:** Hold the chain saw with both hands when switching it on. Hold the rear handle with your right hand, the front handle with your left. The bar and the chain must not be in contact with any object.

**CAUTION:** Should the saw chain not stop immediately when this test is performed, the saw may not be used under any circumstances. Consult our authorized service center.

1. Press the lock-off lever, then pull the switch trigger. The saw chain starts immediately.
2. Push the front hand guard forwards with the back of your hand. Make sure that the chain saw comes to an immediate standstill.

► **Fig.7:** 1. Front hand guard 2. Unlocked position 3. Locked position

## Checking the run-down brake

**CAUTION:** If the saw chain does not stop within one second in this test, stop using the chain saw and consult our authorized service center.

Run the chain saw then release the switch trigger completely. The saw chain must come to a standstill within one second.

## Adjusting the chain lubrication

You can adjust the oil pump feed rate with the adjusting screw. The amount of oil can be adjusted using the universal wrench.

► **Fig.8:** 1. Adjusting screw



# ASSEMBLY

**⚠ CAUTION:** Always be sure that the tool is switched off and the battery cartridge is removed before carrying out any work on the tool.

**⚠ CAUTION:** Do not touch the saw chain with bare hands. Always wear gloves when handling the saw chain.

## Installing or removing saw chain

**⚠ CAUTION:** The saw chain and the guide bar are still hot just after the operation. Let them cool down enough before carrying out any work on the tool.

**⚠ CAUTION:** Carry out the procedure of installing or removing saw chain in a clean place free from sawdust and the like.

## Installing the saw chain

To install the saw chain, perform the following steps:

1. Release the chain brake by pulling the front hand guard.
2. Pull the lever up while pressing its edge.  
▶ **Fig.9:** 1. Lever
3. Turn the lever counterclockwise until the sprocket cover comes off.  
▶ **Fig.10:** 1. Lever 2. Sprocket cover
4. Remove the sprocket cover.
5. Check the direction of the saw chain. Match the direction of the saw chain with that of the mark on the chain saw body.  
▶ **Fig.11:** 1. Mark on chain saw body
6. Fit one end of the saw chain on the top of the guide bar.
7. Fit the other end of the saw chain around the sprocket, then attach the guide bar to the chain saw body.  
▶ **Fig.12:** 1. Sprocket
8. Turn the adjusting dial to "-" direction to slide the adjusting pin in the direction of arrow.  
▶ **Fig.13:** 1. Adjusting dial 2. Adjusting pin
9. Place the sprocket cover on the chain saw so that the adjusting pin is positioned in a small hole on the guide bar.  
▶ **Fig.14:** 1. Sprocket cover 2. Guide bar 3. Hole
10. Turn the lever clockwise fully and turn back the lever a little to keep looseness for adjusting the chain tension.
11. Adjust the chain tension. Refer to the section for adjusting saw chain tension for procedure.
12. Turn the lever clockwise until the sprocket cover is secured then return it to the original position.  
▶ **Fig.15:** 1. Lever 2. Sprocket cover

## Removing the saw chain

To remove the saw chain, perform the following steps:

1. Release the chain brake by pulling the front hand guard.
2. Turn the adjusting dial to "-" direction to release the saw chain tension.  
▶ **Fig.16:** 1. Adjusting dial
3. Pull the lever up while pressing its edge.  
▶ **Fig.17:** 1. Lever
4. Turn the lever counterclockwise until the sprocket cover comes off.  
▶ **Fig.18:** 1. Lever 2. Sprocket cover
5. Remove the sprocket cover then remove the saw chain and guide bar from the chain saw body.

## Adjusting saw chain tension

**⚠ CAUTION:** Carry out the procedure of installing or removing saw chain in a clean place free from sawdust and the like.

**⚠ CAUTION:** Do not tighten the saw chain too much. Excessively high tension of saw chain may cause breakage of saw chain, wear of the guide bar and breakage of the adjusting dial.

**⚠ CAUTION:** A chain which is too loose can jump off the bar and it may cause an injury accident.

The saw chain may become loose after many hours of use. From time to time check the saw chain tension before use.

1. Pull the lever up while pressing its edge.  
▶ **Fig.19:** 1. Lever
2. Turn the lever counterclockwise a little to loosen the sprocket cover lightly.  
▶ **Fig.20:** 1. Lever 2. Sprocket cover
3. Lift up the guide bar tip slightly and adjust the chain tension. Turn the adjusting dial to the "-" direction to loosen, turn to the "+" direction to tighten. Tighten the saw chain until the lower side of the saw chain fits in the guide bar rail as illustrated.  
▶ **Fig.21:** 1. Adjusting dial 2. Guide bar 3. Saw chain
4. Keep holding the guide bar lightly and tighten the sprocket cover. Make sure that the saw chain does not loose at the lower side.
5. Return the lever to the original position.

Make sure the saw chain fits snugly against the lower side of the bar.

# OPERATION

## Lubrication

**CAUTION:** Do not operate the chain saw when the tank is empty. Replenish the oil in due time before the tank is empty.

**CAUTION:** Prevent the oil from coming into contact with the skin and eyes. Contact with the eyes causes irritation. In the event of eye contact, flush the affected eye immediately with clear water, then consult a doctor at once.

**CAUTION:** Never use waste oil. Waste oil contains carcinogenic substances. The contaminants in waste oil cause accelerated wear of the oil pump, the bar and the chain. Waste oil is harmful to the environment.

**NOTICE:** When the chain saw is used for the first time, it may take up to two minutes for the saw chain oil to begin its lubricating effect upon the saw mechanism. Run the saw without load until it does so.

**NOTICE:** When filling the chain oil for the first time, or refilling the tank after it has been completely emptied, add oil up to the bottom edge of the filler neck. The oil delivery may otherwise be impaired.

**NOTICE:** Use the saw chain oil exclusively for Makita chain saws or equivalent oil available in the market.

**NOTICE:** Never use oil including dust and particles or volatile oil.

**NOTICE:** When pruning trees, use botanical oil. Mineral oil may harm trees.

**NOTICE:** Before the cutting operation, make sure that the provided oil tank cap is screwed in place.

Saw chain is automatically lubricated when the tool is in operation. Check the amount of remaining oil in the oil tank periodically through the oil inspection window.

► **Fig.22:** 1. Oil tank cap 2. Oil inspection window

To fill the oil, perform the following steps:

1. Clean the area around the oil tank cap thoroughly to prevent any dirt from entering the oil tank.
  2. Lay the chain saw on its side.
  3. Push the button on the oil tank cap so that the button on the other side stands up, and then remove the oil tank cap by turning it.
- **Fig.23:** 1. Oil tank cap 2. Tighten 3. Loosen
4. Fill the oil tank with the oil. The proper amount of oil is 260 ml.
  5. Screw the oil tank cap firmly back in place.
  6. Wipe away any spilt chain oil carefully.

**NOTE:** If it is difficult to remove the oil tank cap, insert the box wrench into the slot of the oil tank cap, and then remove the oil tank cap by turning it counterclockwise.

► **Fig.24:** 1. Slot 2. Box wrench

After refilling, hold the chain saw away from the tree. Start it and wait until lubrication on saw chain is adequate.

► **Fig.25**

## Working with the chain saw

**CAUTION:** The first time user should, as a minimum practice, do cutting logs on a saw-horse or cradle.

**CAUTION:** When sawing precut timber, use a safe support (saw horse or cradle). Do not steady the workpiece with your foot, and do not allow anyone else to hold or steady it.

**CAUTION:** Secure round pieces against rotation.

**CAUTION:** Keep all parts of the body away from the saw chain when the motor is operating.

**CAUTION:** Hold the chain saw firmly with both hands when the motor is running.

**CAUTION:** Do not overreach. Keep proper footing and balance at all times.

**NOTICE:** Never toss or drop the tool.

**NOTICE:** Do not cover the vents of the tool.

Bring the bottom edge of the chain saw body into contact with the branch to be cut before switching on. Otherwise it may cause the guide bar to wobble, resulting in injury to operator. Saw the wood to be cut by just moving it down by using the weight of the chain saw.

► **Fig.26**

If you cannot cut the timber right through with a single stroke:

Apply light pressure to the handle and continue sawing and draw the chain saw back a little; then apply the spike bumper a little lower and finish the cut by raising the handle.

► **Fig.27**

## Bucking

1. Rest the bottom edge of the chain saw body on the wood to be cut.

► **Fig.28**

2. With the saw chain running, saw into the wood while using the rear handle to raise the saw and the front one to guide it. Use the spike bumper as a pivot.

3. Continue the cut by applying slight pressure to the front handle, easing the saw back slightly. Move the spike bumper further down the timber and raise the front handle again.

**NOTICE:** When making several cuts, switch the chain saw off between cuts.

**CAUTION:** If the upper edge of the bar is used for cutting, the chain saw may be deflected in your direction if the chain becomes trapped. For this reason, cut with the lower edge, so that the saw will be deflected away from your body.

► **Fig.29**

When you cut a wood under tension, cut the pressured side (A) first. Then make the final cut from the tensioned side (B). This prevents the bar from becoming trapped.

► **Fig.30**

## Limbing

**CAUTION:** Limbing may only be performed by trained persons. A hazard is presented by the risk of kickback.

When limbing, support the chain saw on the trunk if possible. Do not cut with the tip of the bar, as this presents a risk of kickback. Pay particular attention to branches under tension. Do not cut unsupported branches from below. Do not stand on the felled trunk when limbing.

## Burrowing and parallel-to-grain cuts

**CAUTION:** Burrowing and parallel-to-grain cuts may only be carried out by persons with special training. The possibility of kickback presents a risk of injury.

Perform parallel-to-grain cuts at as shallow an angle as possible. Take an extra caution when carrying out the cut as the spike bumper cannot be used.

► Fig.31

## Felling

**CAUTION:** Felling work may only be performed by trained persons. The work is hazardous.

Observe local regulations if you wish to fell a tree.

► Fig.32: 1. Felling area

- Before starting felling work, ensure that:
    - Only persons involved in the felling operation are in the vicinity;
    - Any person involved has an unhindered path of retreat through a range of approximately 45° either side of the felling axis. Consider the additional risk of tripping over electrical cables;
    - The base of the trunk is free of foreign objects, roots and stumps;
    - No persons or objects are present over a distance of 2 1/2 tree lengths in the direction in which the tree will fall.
  - Consider the following with respect to each tree:
    - Direction of lean;
    - Loose or dry branches;
    - Height of the tree;
    - Natural overhang;
    - Whether or not the tree is rotten.
  - Consider the wind speed and direction. Do not carry out felling work if the wind is gusting strongly.
  - Trimming of root swellings: Begin with the largest swellings. Make the vertical cut first, then the horizontal cut.
  - Stand to the side of the falling tree. Keep an area clear to the rear of the falling tree up to an angle of 45° either side of the tree axis (refer to the “felling area” figure). Pay attention to falling branches.
  - An escape path should be planned and cleared as necessary before cuts are started. The escape path should extend back and diagonally to the rear of the expected line of fall as illustrated in figure.
- Fig.33: 1. Felling direction 2. Danger zone  
3. Escape route

When felling trees, follow the procedures below:

1. Cut a scarf as close to the ground as possible. First make the horizontal cut to a depth of 1/5 - 1/3 of the trunk diameter. Do not make the scarf too large. Then make the diagonal cut.

► Fig.34

**NOTE:** The scarf determines the direction in which the tree will fall, and guides it. It is made on the side towards which the tree is to fall.

2. Make the back cut a little higher than the base cut of the scarf. The back cut must be exactly horizontal. Leave approximately 1/10 of the trunk diameter between the back cut and the scarf. The wood fibers in the uncut trunk portion act as a hinge. Insert wedges into the back cut in time.

► Fig.35

**WARNING:** Do not cut right through the fibers under any circumstances. The tree will otherwise fall unchecked.

**NOTICE:** Only plastic or aluminum wedges may be used to keep the back cut open. The use of iron wedges is prohibited.

## Carrying tool

Before carrying the tool, always apply the chain brake and remove the battery cartridge from the tool. Then attach the guide bar cover. Also cover the battery cartridge with the battery cover.

► Fig.36: 1. Guide bar cover 2. Battery cover

## MAINTENANCE

**CAUTION:** Always be sure that the tool is switched off and the battery cartridge is removed before attempting to perform inspection or maintenance.

**CAUTION:** Always wear gloves when performing any inspection or maintenance.

**NOTICE:** Never use gasoline, benzine, thinner, alcohol or the like. Discoloration, deformation or cracks may result.

To maintain product SAFETY and RELIABILITY, repairs, any other maintenance or adjustment should be performed by Makita Authorized or Factory Service Centers, always using Makita replacement parts.

## Sharpening the saw chain

**Sharpen the saw chain when:**

- Mealy sawdust is produced when damp wood is cut;
- The chain penetrates the wood with difficulty, even when heavy pressure is applied;
- The cutting edge is obviously damaged;
- The saw pulls to the left or right in the wood. (caused by uneven sharpening of the saw chain or damage to one side only)

Sharpen the saw chain frequently but a little each time. Two or three strokes with a file are usually sufficient for routine resharpening. When the saw chain has been resharpened several times, have it sharpened in our authorized service center.

#### Sharpening criteria:

**⚠ WARNING:** An excessive distance between the cutting edge and depth gauge increases the risk of kickback.

► **Fig.37:** 1. Cutter length 2. Distance between cutting edge and depth gauge 3. Minimum cutter length (3 mm)

- All cutter length must be equal. Different cutter lengths prevent the saw chain from running smoothly and may cause the saw chain to break.
- Do not sharpen the chain when the cutter length has reached 3 mm or shorter. The chain must be replaced with new one.
- The chip thickness is determined by the distance between the depth gauge (round nose) and the cutting edge.
- The best cutting results are obtained with following distance between cutting edge and depth gauge.
  - Chain blade 91PX : 0.65 mm
  - Chain blade 80TXL : 0.65 mm

► **Fig.38**

- The sharpening angle of 30° must be the same on all cutters. Different cutter angles cause the chain to run roughly and unevenly, accelerate wear, and lead to chain breaks.
- Use a suitable round file so that the proper sharpening angle is kept against the teeth.
  - Chain blade 91PX : 55°
  - Chain blade 80TXL : 55°

#### File and file guiding

- Use a special round file (optional accessory) for saw chains to sharpen the chain. Normal round files are not suitable.
- Diameter of the round file for each saw chain is as follows:
  - Chain blade 91PX : 4.0 mm
  - Chain blade 80TXL : 4.0 mm
- The file should only engage the cutter on the forward stroke. Lift the file off the cutter on the return stroke.
- Sharpen the shortest cutter first. Then the length of this shortest cutter becomes the standard for all other cutters on the saw chain.
- Guide the file as shown in the figure.

► **Fig.39:** 1. File 2. Saw chain

- The file can be guided more easily if a file holder (optional accessory) is employed. The file holder has markings for the correct sharpening angle of 30° (align the markings parallel to the saw chain) and limits the depth of penetration (to 4/5 of the file diameter).

► **Fig.40:** 1. File holder

- After sharpening the chain, check the height of the depth gauge using the chain gauge tool (optional accessory).

► **Fig.41**

- Remove any projecting material, however small, with a special flat file (optional accessory).
- Round off the front of the depth gauge again.

## Cleaning the guide bar

Chips and sawdust will build up in the guide bar groove. They may clog the bar groove and impair the oil flow. Clean out the chips and sawdust every time when you sharpen or replace the saw chain.

► **Fig.42**

## Cleaning the sprocket cover

Chips and saw dust will accumulate inside of the sprocket cover. Remove the sprocket cover and saw chain from the tool then clean the chips and saw dust.

► **Fig.43**

## Cleaning the oil discharge hole

Small dust or particles may be built up in the oil discharge hole during operation. These dust or particles may impair the oil to flow and cause an insufficient lubrication on the whole saw chain. When a poor chain oil delivery occurs at the top of guide bar, clean the oil discharge hole as follows.

1. Remove the sprocket cover and saw chain from the tool.
2. Remove the small dust or particles using a slotted screwdriver or the like.

► **Fig.44:** 1. Slotted screwdriver 2. Oil discharge hole

3. Insert the battery cartridge into the tool. Pull the switch trigger to flow built-up dust or particles off the oil discharge hole by discharging chain oil.
4. Remove the battery cartridge from the tool. Reinstall the sprocket cover and saw chain on the tool.

## Replacing the sprocket

**⚠ CAUTION:** A worn sprocket will damage a new saw chain. Have the sprocket replaced in this case.

Before fitting a new saw chain, check the condition of the sprocket.

► **Fig.45:** 1. Sprocket 2. Areas to be worn out

Always fit a new locking ring when replacing the sprocket.

► **Fig.46:** 1. Locking ring 2. Sprocket

**NOTICE:** Make sure that the sprocket is installed as shown in the figure.

## Storing the tool

1. Clean the tool before storing. Remove any chips and sawdust from the tool after removing the sprocket cover.
2. After cleaning the tool, run it under no load to lubricate the saw chain and guide bar.
3. Cover the guide bar with the guide bar cover.
4. Empty the oil tank.

## Instructions for periodic maintenance

To ensure long life, prevent damage and ensure the full functioning of the safety features, the following maintenance must be performed regularly. Warranty claims can be recognized only if this work is performed regularly and properly. Failure to perform the prescribed maintenance work can lead to accidents! The user of the chain saw must not perform maintenance work which is not described in the instruction manual. All such work must be carried out by our authorized service center.

Check item / Operating time		Before operation	Everyday	Every week	Every 3 month	Annually	Before storage
Chain saw	Inspection.	✓	-	-	-	-	-
	Cleaning.	-	✓	-	-	-	-
	Check at authorized service center.	-	-	-	-	✓	✓
Saw chain	Inspection.	✓	-	-	-	-	-
	Sharpening if necessary.	-	-	-	-	-	✓
Guide bar	Inspection.	✓	✓	-	-	-	-
	Remove from the chain saw.	-	-	-	-	-	✓
Chain brake	Check the function.	✓	-	-	-	-	-
	Have it inspected regularly at authorized service center.	-	-	-	✓	-	-
Chain lubrication	Check the oil feed rate.	✓	-	-	-	-	-
Switch trigger	Inspection.	✓	-	-	-	-	-
Lock-off lever	Inspection.	✓	-	-	-	-	-
Oil tank cap	Check tightness.	✓	-	-	-	-	-
Chain catcher	Inspection.	-	-	✓	-	-	-
Screws and nuts	Inspection.	-	-	✓	-	-	-

# TROUBLESHOOTING

Before asking for repairs, conduct your own inspection first. If you find a problem that is not explained in the manual, do not attempt to dismantle the tool. Instead, ask Makita Authorized Service Centers, always using Makita replacement parts for repairs.

Malfunction status	Cause	Action
The chain saw does not start.	Battery cartridge is not installed.	Install a charged battery cartridge.
	Battery problem (low voltage).	Recharge the battery cartridge. If recharging is not effective, replace the battery cartridge.
	Main power switch is off.	The chain saw is automatically turned off if it is un-operated for a certain period. Turn on the main power switch again.
The saw chain does not run.	Chain brake activated.	Release chain brake.
The motor stops running after a little use.	Battery's charge level is low.	Recharge the battery cartridge. If recharging is not effective, replace the battery cartridge.
No oil on the chain.	Oil tank is empty.	Fill the oil tank.
	Oil guide groove is dirty.	Clean the groove.
	Poor oil delivery.	Adjust the amount of oil delivery with the adjusting screw.
The chain saw does not reach maximum RPM.	Battery cartridge is installed improperly.	Install the battery cartridge as described in this manual.
	Battery power is dropping.	Recharge the battery cartridge. If recharging is not effective, replace the battery cartridge.
	The drive system does not work correctly.	Ask the authorized service center in your region for repair.
The main power lamp is blinking in green.	Switch trigger is pulled under an unoperable condition.	Pull the switch trigger after the main power switch is turned on and the chain brake is released.
Chain does not stop even the chain brake is activated: <b>Stop the tool immediately!</b>	The brake band is worn down.	Ask the authorized service center in your region for repair.
Abnormal vibration: <b>Stop the tool immediately!</b>	Loose guide bar or saw chain.	Adjust the guide bar and saw chain tension.
	Tool malfunction.	Ask the authorized service center in your region for repair.
The saw chain cannot be installed.	The combination of saw chain and sprocket is not correct.	Use the correct combination of saw chain and sprocket by referring to the section for specifications.

## OPTIONAL ACCESSORIES

**CAUTION:** These accessories or attachments are recommended for use with your Makita tool specified in this manual. The use of any other accessories or attachments might present a risk of injury to persons. Only use accessory or attachment for its stated purpose.

If you need any assistance for more details regarding these accessories, ask your local Makita Service Center.

- Saw chain
- Guide bar
- Guide bar cover
- File
- Tool bag
- Makita genuine battery and charger

**WARNING:** If you purchase a guide bar of different length from the standard guide bar, also purchase a suitable guide bar cover together. It must fit and fully cover the guide bar on the chain saw.

**NOTE:** Some items in the list may be included in the tool package as standard accessories. They may differ from country to country.

## SPECIFIKATIONER

Modell:		UC014G	UC015G	UC016G	UC017G
Total längd (utan svärd)		445 mm			
Märkspänning		36 V - 40 V likström max			
Nettovikt	*1	4,5 kg			
	*2	6,2 - 6,9 kg			
Standard svärdlängd		300 mm	350 mm	400 mm	450 mm
Rekommenderad svärdlängd		300 - 450 mm			
Applicerad sågkedjetyp (se tabellen nedan)		91PX 80TXL			
Kedjehjul (91PX)	Antal tänder	6			
	Delning	3/8"			
Kedjehjul (80TXL)	Antal tänder	7			
	Delning	0,325"			
Kedjehastighet		0 - 25,5 m/s (0 - 1 530 m/min)			
Tankvolym kedjeolja		260 cm <sup>3</sup>			
Skyddsgrad		IPX4			

• På grund av vårt pågående program för forskning och utveckling kan dessa specifikationer ändras utan föregående meddelande.

• Specifikationer kan variera mellan olika länder.

\*1: Vikt, utan sågkedjan, svärdet, svärdskyddet, oljan och batterikassetten/kassetterna.

\*2: Den lättaste och tyngsta vikt-kombinationen enligt EPTA-procedur 01/2014. Vikten kan variera beroende på tillbehör/tillbehören, inklusive batterikassetten/kassetterna.

### Kombination av sågkedja, svärd och kedjehjul

Sågkedjetyp		91PX			
Antal drivlänkar		46	52	56	62
Svärd	Svärdlängd	300 mm	350 mm	400 mm	450 mm
	Såglängd	268 mm	324 mm	361 mm	418 mm
	Delning	3/8"			
	Mätare	1,3 mm			
	Typ	Kuggdrev			
Kedjehjul	Antal tänder	6			
	Delning	3/8"			

Sågkedjetyp		80TXL			
Antal drivlänkar		51	59	64	70
Svärd	Svärdlängd	300 mm	350 mm	400 mm	450 mm
	Såglängd	259 mm	325 mm	366 mm	416 mm
	Delning	0,325"			
	Mätare	1,1 mm			
	Typ	Kuggdrev			
Kedjehjul	Antal tänder	7			
	Delning	0,325"			

**⚠ VARNING:** Använd en lämplig kombination av svärd och sågkedje. I annat fall kan personskada uppstå.

# Tillgänglig batterikassett och laddare

Batterikassett	BL4040 / BL4050F* * : Rekommenderat batteri
Laddare	DC40RA / DC40RB / DC40RC

- Vissa av batterikassetterna och laddarna på listan ovan kanske inte finns tillgängliga i din region.

**⚠ VARNING: Använd endast batterikassetter och laddare från listan ovan.** Användning av andra batterikassetter och laddare kan orsaka personskada och/eller brand.

## Rekommenderad sladdanslutna strömkälla

Bärbart strömpaket	PDC01
--------------------	-------

- De(n) sladdanslutna strömkällan/strömkällorna på listan ovan kanske inte finns tillgängliga i din region.
- Innan du använder den sladdanslutna strömkällan ska du läsa instruktionen och varningsmärkena på den.

## Symboler

Följande visar symbolerna som kan användas för utrustningen. Se till att du förstår innebörden innan användning.



Läs igenom bruksanvisningen.



Använd skyddsglasögon.



Använd hörselskydd.



Använd hjälm, skyddsglasögon och hörselskydd.



Maximal tillåten kapplängd



Använd alltid två händer vid användning av kedjesåg.



Se upp med kedjesågens bakåtkast och undvik kontakt med svärdets spets.



Kedjans rotationsriktning



Justering av kedjeolja



Gäller endast inom EU  
P.g.a. förekomsten av farliga komponenter i utrustningen kan avfall innehållande elektrisk och elektronisk utrustning, ackumulatorer och batterier ha negativ inverkan på miljön och människors hälsa. Kassera inte elektriska och elektroniska apparater eller batterier ihop med hushållsavfall!  
I enlighet med EU-direktiven om avfall som utgörs av eller innehåller elektrisk och elektronisk utrustning och om batterier och ackumulatorer och förbrukade batterier och ackumulatorer, och dess införlivande i nationell lagstiftning, bör förbrukad elektrisk och elektronisk utrustning, batterier och ackumulatorer förvaras separat och transporteras till en särskild uppsamlingsplats för kommunalt avfall, som drivs i enlighet med regelverket för miljöskydd. Detta anges av symbolen med den överkryssade soptunnan på hjul som sitter på utrustningen.



Garanterad ljudeffektnivå enligt EU-direktivet för utomhusbuller.



Ljudeffektnivå enligt Australia NSW Noise Control Regulation (Bullerreglering)

## Avsedd användning

Denna kedjesåg är endast avsedd för sågning i trä.

## Buller

Den normala bullernivån för A-belastning är bestämd enligt EN62841-4-1:

### Modell UC014G

Ljudtrycksnivå ( $L_{pA}$ ) : 91 dB (A)  
Ljudeffektnivå ( $L_{WA}$ ) : 102 dB (A)  
Måttolerans (K): 3 dB (A)

### Modell UC015G

Ljudtrycksnivå ( $L_{pA}$ ) : 91 dB (A)  
Ljudeffektnivå ( $L_{WA}$ ) : 102 dB (A)  
Måttolerans (K): 3 dB (A)

### Modell UC016G

Ljudtrycksnivå ( $L_{pA}$ ) : 91 dB (A)  
Ljudeffektnivå ( $L_{WA}$ ) : 102 dB (A)  
Måttolerans (K): 3 dB (A)

### Modell UC017G

Ljudtrycksnivå ( $L_{pA}$ ) : 91 dB (A)  
Ljudeffektnivå ( $L_{WA}$ ) : 102 dB (A)  
Måttolerans (K): 3 dB (A)

**OBS:** Det deklarerade bullervärdet har uppmätts i enlighet med standardtestmetoden och kan användas för jämförandet av en maskin med en annan.

**OBS:** Det deklarerade bulleremissionsvärdet kan också användas i en preliminär bedömning av exponering för vibration.



**⚠ VARNING:** Använd hörselskydd.

**⚠ VARNING:** Bulleremissionen under faktisk användning av maskinen kan skilja sig från det deklarerade värdet, beroende på hur maskinen används och särskilt vilken typ av arbetsstycke som behandlas.

**⚠ VARNING:** Var noga med att identifiera säkerhetsåtgärder för att skydda användaren, vilka är grundade på en uppskattning av graden av exponering för vibrationer under de faktiska användningsförhållandena, (ta, förutom avtryckartiden, med alla delar av användarcykeln i beräkningen, som till exempel tiden då maskinen är avstängd och när den går på tomgång).

## Vibration

Det totala vibrationsvärdet (treaxlad vektorsumma) bestämt enligt EN62841-4-1:

### Modell UC014G

Arbetsläge: sågning i trä  
Vibrationsemission ( $a_{h,w}$ ): 5,0 m/s<sup>2</sup>  
Mättolerans (K): 1,5 m/s<sup>2</sup>

### Modell UC015G

Arbetsläge: sågning i trä  
Vibrationsemission ( $a_{h,w}$ ): 5,0 m/s<sup>2</sup>  
Mättolerans (K): 1,5 m/s<sup>2</sup>

### Modell UC016G

Arbetsläge: sågning i trä  
Vibrationsemission ( $a_{h,w}$ ): 5,0 m/s<sup>2</sup>  
Mättolerans (K): 1,5 m/s<sup>2</sup>

### Modell UC017G

Arbetsläge: sågning i trä  
Vibrationsemission ( $a_{h,w}$ ): 5,0 m/s<sup>2</sup>  
Mättolerans (K): 1,5 m/s<sup>2</sup>

**OBS:** Det deklarerade totala vibrationsvärdet har uppmätts i enlighet med standardtestmetoden och kan användas för jämförandet av en maskin med en annan.

**OBS:** Det deklarerade totala vibrationsvärdet kan också användas i en preliminär bedömning av exponering för vibration.

**⚠ VARNING:** Vibrationsemissionen under faktisk användning av maskinen kan skilja sig från det deklarerade värdet, beroende på hur maskinen används och särskilt vilken typ av arbetsstycke som behandlas.

**⚠ VARNING:** Var noga med att identifiera säkerhetsåtgärder för att skydda användaren, vilka är grundade på en uppskattning av graden av exponering för vibrationer under de faktiska användningsförhållandena, (ta, förutom avtryckartiden, med alla delar av användarcykeln i beräkningen, som till exempel tiden då maskinen är avstängd och när den går på tomgång).

## EG-försäkran om överensstämmelse

### Gäller endast inom EU

EG-försäkran om överensstämmelse inkluderas som bilaga A till denna bruksanvisning.

## SÄKERHETSVARNINGAR

### Allmänna säkerhetsvarningar för maskiner

**⚠ VARNING:** Läs alla säkerhetsvarningar, anvisningar, illustrationer och specifikationer som medföljer det här maskinen. Underlåtenhet att följa instruktionerna kan leda till elstötar, brand och/eller allvarliga personskador.

### Spara alla varningar och instruktioner för framtida referens.

Termen "maskin" som anges i varningarna hänvisar till din eldrivna maskin (sladdansluten) eller batteridrivna maskin (sladdlös).

### Allmänna säkerhetsvarningar för kedjesåg

- Håll alla kroppsdelar borta från kedjesågen när den är igång. Se till att sågkedjan inte vidrör någonting innan du startar kedjesågen.** Ett ögonblick av ouppmärksamhet medan du arbetar med kedjesågen kan leda till att kedjesågen kommer i kontakt med dina kläder eller med kroppen.
- Håll alltid kedjesågen med din högerhand på det bakre handtaget och din vänsterhand på det främre handtaget.** Om du håller i kedjesågen med händerna tvärtom ökar risken för personskador, vilket absolut inte får ske.
- Håll kedjesågen endast i de isolerade handtagen om det finns risk för att sågkedjan kan komma i kontakt med en dold elkabel.** Om sågkedjan kommer i kontakt med en strömförande ledning blir kedjesågens blottlagda metalldelar strömförande och kan ge operatören en elektrisk stöt.
- Använd ögonskydd. Ytterligare skyddsutrustning i form av hörselskydd samt för huvud, händer, ben och fötter rekommenderas.** Passande utrustning minskar risken för personskador från flygande materialrester eller oavsiktlig kontakt med sågkedjan.
- Arbeta inte med kedjesågen i ett träd, på en stege, på ett tak eller något annat ostadigt underlag.** Att arbeta med en kedjesåg på det sättet kan leda till allvarlig personskada.
- Stå alltid stadigt och arbeta endast med kedjesågen när du står på ett fast, säkert och plant underlag.** Hala eller instabila ytor kan göra att du tappar balansen eller kontrollen över kedjesågen.
- Var uppmärksam vid sågning av en gren som är spänd eftersom den kan fjädra tillbaka.** När spänningen i träfiberna släpper kan den spända grenen slå tillbaka mot användaren och/eller slå kedjesågen ur händerna.
- Var mycket försiktig vid sågning av buskar och unga träd.** Det fina materialet kan fånga sågkedjan och piskas emot dig eller få dig ur balans.

9. **Bär kedjesågen i det främre handtaget och bort från kroppen med maskinen avstängd. Vid transport eller förvaring av kedjesågen ska alltid svärdskyddet sitta på.** Korrekt hantering av kedjesågen minskar risken för oavsiktlig kontakt när sågkedjan är i rörelse.
10. **Följ instruktionerna för smörjning, kedjesträckning och utbyte av svärdet och kedjan.** Felaktig sträckning eller kedjesmörjning kan antingen få kedjan att gå av eller öka risken för bakåtkast.
11. **Såga endast i trä. Använd kedjesågen endast för det ändamål den är avsedd för. Använd den till exempel inte för sågning i metall plast, murverk eller annat byggmaterial som inte är av trä.** Användning av kedjesågen för annat ändamål än vad den är avsedd för kan leda till att en farlig situation uppstår.
12. **Försök inte fälla ett träd förrän du har en uppfattning om riskerna och hur de undviks.** Allvarlig skada kan drabba operatören eller kringstående personer vid trädfällning.
13. **Orsaker till och förebyggande av bakåtkast:** Bakåtkast kan uppstå när nosen eller spetsen på svärdet kommer i kontakt med ett objekt, eller när träet kniper tag i och låser fast kedjesågen i skäret. Kontakt med spetsen kan i vissa fall orsaka en plötslig motsatt reaktion där svärdet slås uppåt och bakåt mot användaren. Fastlåsnig av sågkedjan längs spetsen på svärdet kan snabbt trycka svärdet bakåt mot användaren. Endera av dessa reaktioner kan göra att du tappar kontrollen över sågen vilket kan resultera i allvarliga personskador. Lita inte uteslutande på de inbyggda säkerhetsanordningarna i din såg. Som en kedjesågsanvändare ska du vidta försiktighetsåtgärder så att inte olyckor eller skador uppstår i ditt arbete med sågen. Bakåtkast beror på ovarsamhet med kedjesågen och/eller felaktiga arbetsrutiner och kan undvikas genom att vidta nedanstående förebyggande åtgärder:

- **Upprätthåll ett stadigt grepp med tummar och fingrar runt kedjesågens handtag, med båda händerna på sågen och i en position där din kropp och dina armar kan undvika styrkan av ett eventuellt bakåtkast.** Användaren kan kontrollera styrkan av ett bakåtkast om korrekta åtgärder har vidtagits. Släpp inte kedjesågen.
- **Sträck dig inte för långt när du använder maskinen och säga inte över axelhöjd.** Detta förhindrar oavsiktlig kontakt med spetsen och ger bättre kontroll över kedjesågen i oväntade situationer.
- **Använd endast sådana reservsvärd och reservsågkedjor som specificerats av tillverkaren.** Felaktiga reservsvärd och reservsågkedjor kan orsaka att kedjan går av och/eller bakåtkast.
- **Följ tillverkarens instruktioner för slipning och underhåll av sågkedjan.** Minskning av höjden på underställningsklacken kan leda till ökad risk för bakåtkast.

► **Fig.1**

14. **Följ alla instruktioner när du tar bort material som fastnat, tar kedjesågen i förvar eller servar den. Säkerställ att strömbrytaren är avstängd samt att batterikassetten är avlägsnad.** Att oväntat sätta igång kedjesågen medan man håller på att ta bort material som fastnat eller utför service kan orsaka allvarlig personskada.

## Ytterligare säkerhetsinstruktioner

### Personlig skyddsutrustning

1. Använd åsittande kläder som inte begränsar rörligheten.
2. Följande skyddskläder är lämpliga under arbete:
  - Godkänd skyddshjälm som skydd mot nedfallande grenar o dyl.
  - Visir eller skyddsglasögon.
  - Hörselskydd (hörselkåpor eller öronproppar). Frekvensanalys kan erhållas på begäran.
  - Kraftiga skyddshandskar.
  - Långbyxor i kraftigt tyg.
  - Överdragskläder med.
  - Säkerhetsskor eller stövlar med halkfria sulor, stålhätta och.
  - Ansiktsmask när arbetet genererar damm (t ex sågning i torrt trä).

### Användning

1. **Kontrollera att kedjan är i gott skick och uppfyller säkerhetsanvisningarna innan arbetet påbörjas. Kontrollera i synnerhet att:**
  - Kedjebromsen fungerar.
  - Tröghetsbromsen fungerar.
  - Svärdet och kedjedrevskåpan är rätt monterade.
  - Kedjan är filad och spänd i enlighet med anvisningarna.
2. **Starta inte kedjesågen när kedjeskyddet är kvar.** Att starta kedjesågen med kedjeskyddet monterat kan leda till att kedjeskyddet kastas framåt vilket resulterar i personskada och skada på föremål runt omkring användaren.
3. **Var uppmärksam på var du har fötterna när du använder verktyget på lerig mark, i våta sluttningar eller hala ställen.**
4. **Låt inte verktyget åka ner i någon pöl.**
5. **Lämna inte verktyget oöversiktligt utomhus i regn.**

### EI- och batterisäkerhet

1. **Undvik farliga miljöer. Använd inte verktyget på fuktiga eller blöta områden, eller utsätt den för regn.** Vatten som kommer in i verktyget ökar risken för elektrisk stöt.
2. **Släng inte batteriet/batterierna i öppen eld.** Cellen kan explodera. Kontrollera de lokala reglerna för att se eventuell särskild avfallshantering.
3. **Öppna inte eller förstör batteriet/batterierna.** Elektrolyt som kommer ut är frätande och kan ge ögon- eller hudskador. Det kan vara giftigt vid förtäring.
4. **Ladda inte batteriet i regn eller i fuktiga eller våta utrymmen.**
5. **Ladda inte batteriet utomhus.**



## Tips för att uppnå batteriets maximala livslängd

1. Ladda batterikassetten innan den är helt urladdad. Stanna alltid maskinen och ladda batterikassetten när du märker att maskinen blir svagare.
2. Ladda aldrig en fulladdad batterikassetten. Överladdning förkortar batteriets livslängd.

3. Ladda batterikassetten vid en rumstemperatur på 10 °C - 40 °C. Låt en varm batterikassetten svalna innan den laddas.
4. När batterikassetten inte används ska den tas bort från verktøget eller laddaren.
5. Ladda batterikassetten om du inte har använt den på länge (mer än sex månader).

## BESKRIVNING AV DELAR

► Fig.2

1	Batterikassetten	2	Främre handskydd	3	Spärr
4	Svärd	5	Sågkedja	6	Inställningsratt
7	Lampa för nätspänning	8	Strömbrytare	9	Säkerhetspärr
10	Bakre handtag	11	Avtryckare	12	Främre handtag
13	Oljetanklock	14	Svårskydd	15	Justerskruv (för oljepump)
16	Kedjefångare	-	-	-	-

## FUNKTIONSBESKRIVNING

**⚠ FÖRSIKTIGT:** Se alltid till att maskinen är avstängd och batterikassetten borttagen innan du justerar maskinen eller kontrollerar dess funktioner.

### Montera eller demontera batterikassetten

**⚠ FÖRSIKTIGT:** Stäng alltid av maskinen innan du monterar eller tar bort batterikassetten.

**⚠ FÖRSIKTIGT:** Håll stadigt i maskinen och batterikassetten när du monterar eller tar bort batterikassetten. I annat fall kan det leda till att de glider ur dina händer och orsakar skada på maskinen och batterikassetten samt personskada.

► Fig.3: 1. Röd indikator 2. Knapp 3. Batterikassetten

Ta bort batterikassetten genom att skjuta ner knappen på kassetten framsida samtidigt som du drar ut batterikassetten.

Sätt i batterikassetten genom att rikta in tungan på batterikassetten mot späret i höljet och skjut den på plats. Tryck in batterikassetten ordentligt tills den låser fast med ett klick. Om du kan se den röda indikatorn som bilden visar är den inte låst ordentligt.

**⚠ FÖRSIKTIGT:** Sätt alltid i batterikassetten helt tills den röda indikatorn inte längre syns. I annat fall kan den oväntat falla ur verktøget och skada dig eller någon annan.

**⚠ FÖRSIKTIGT:** Montera inte batterikassetten med våld. Om kassetten inte lätt glider på plats är den felinsatt.

## Indikerar kvarvarande batterikapacitet

Tryck på kontrollknappen på batterikassetten för att se kvarvarande batterikapacitet. Indikatorlamporna lyser i ett par sekunder.

► Fig.4: 1. Indikatorlampor 2. Kontrollknapp

Indikatorlampor			Kvarvarande kapacitet
Upplyst	Av	Blinkar	
■ ■ ■ ■			75% till 100%
■ ■ ■ □			50% till 75%
■ ■ □ □			25% till 50%
■ □ □ □			0% till 25%
◐ □ □ □			Ladda batteriet.
■ ■ □ □			Batteriet kan ha skadats.
□ □ ■ ■			

**OBS:** Beroende på användningsförhållanden och den omgivande temperaturen kan indikationen skilja sig lätt från den faktiska batterikapaciteten.

**OBS:** Den första (längst till vänster) indikatorlampan kommer att blinka när batteriskyddssystemet fungerar.

## Skyddssystem för maskinen/ batteriet

Verktyget är utrustat med ett skyddssystem för verktyget/batteriet. Detta system bryter automatiskt strömmen till motorn för att förlänga verktygets och batteriets livslängd. Verktyget stoppar automatiskt under användningen om verktyget eller batteriet hamnar i en av följande situationer:

### Överbelastningsskydd

När batteriet används på ett sätt som gör att den drar onormalt mycket ström, stoppar maskinen automatiskt och lampan för nätspänning blinkar grönt. När detta sker stänger du av maskinen och upphör med arbetet som gjorde att den överbelastades. Starta därefter upp maskinen igen.

### Överhettningsskydd

När maskinen eller batteriet överhettas stoppas den automatiskt och lampan börjar blinka. I sådant fall ska du låta maskinen och batteriet svalna innan du startar den igen.

**OBS:** I miljöer med höga temperaturer är det troligt att överhettningsskyddet löser ut och maskinen stoppar automatiskt.

### Överurladdningsskydd

När batterikapaciteten inte är tillräcklig stoppas maskinen automatiskt och lampan börjar blinka rött. I sådant fall ska batteriet tas ur maskinen och laddas.

### Skydd mot andra felorsaker

Skyddssystemet är också utformat för att hantera andra orsaker som skulle kunna skada verktyget, och gör att verktyget kan stanna automatiskt. Om verktyget stannat tillfälligt eller helt slutat fungera utför du följande steg för att åtgärda problemen.

1. Stäng av verktyget och slå sedan på det igen för att starta om det.
2. Ladda upp batteriet/batterierna eller byt ut det/dem mot uppladdade batterier.
3. Låt verktyget och batteriet/batterierna svalna.

Om återställning av skyddssystemet inte leder till någon förbättring, kontakta ditt lokala Makita Service Center.

**OBSERVERA:** Om verktyget stannar av en orsak som inte är angiven ovan, se avsnittet Felsökning.

### Strömbrytare

**⚠ VARNING:** Stäng alltid av strömbrytaren när verktyget inte används.

Tryck på huvudströmbrytaren för att slå på verktyget. Lampan för nätspänning tänds grön. För att stänga av trycker du på huvudströmbrytaren igen.

► **Fig.5:** 1. Lampa för nätspänning 2. Strömbrytare

**OBS:** Lampan för nätspänning blinkar grönt om avtryckaren aktiveras vid felaktiga förhållanden. Lampan blinkar vid ett av följande tillstånd.

- När du aktiverar strömbrytaren medan du håller ner säkerhetsspärren och avtryckaren.
- När du aktiverar avtryckaren medan kedjebromsen är aktiverad.
- När du släpper kedjebromsen medan du håller ner säkerhetsspärren och avtryckaren.

**OBS:** Denna maskin har en automatisk avstängningsfunktion. För att undvika oavsiktlig start kommer strömbrytaren automatiskt att stänga ner när avtryckaren inte aktiveras under en viss tid efter strömbrytaren aktiverats.

### Avtryckarens funktion

**⚠ VARNING:** Detta verktyg är utrustat med en säkerhetsspärr som förhindrar oavsiktlig start. Använd **ALDRIG** maskinen om den startar när du trycker på avtryckaren utan att ha tryckt in säkerhetsspärren. Returnera verktyget till ett auktoriserat servicecenter för reparation **INNAN** du fortsätter att använda det.

**⚠ VARNING:** Sätt **ALDRIG** säkerhetsspärren ur funktion genom att t.ex. tejpa över den.

**⚠ FÖRSIKTIGT:** Innan du sätter in batterikassetten i maskinen ska du kontrollera att avtryckaren fungerar och återgår till läget "OFF" när du släpper den.

**OBSERVERA:** Tryck inte in avtryckaren utan att ha tryckt in säkerhetsspärren. Det kan skada avtryckaren.

Säkerhetsspärrens funktion är att förhindra att avtryckaren oavsiktligt trycks in. Starta maskinen genom att först trycka in säkerhetsspärren och sedan avtryckaren. Hastigheten ökas genom att avtryckaren trycks in hårdare. Släpp avtryckaren för att stoppa maskinen.

► **Fig.6:** 1. Avtryckare 2. Säkerhetsspärr

### Kontroll av kedjebroms

**⚠ FÖRSIKTIGT:** Håll kedjesågen med båda händerna när du startar den. Håll bakre handtaget med höger hand och främre handtaget med vänster hand. Svärdet och kedjan får inte vara i kontakt med något.

**⚠ FÖRSIKTIGT:** Om kedjan inte stannar omedelbart när du kontrollerar denna funktion får sågen inte användas under några omständigheter. Kontakta ett auktoriserat servicecenter.

1. Tryck på säkerhetsspärren och tryck in avtryckaren. Sågen startar omedelbart.

2. Tryck det främre handskyddet framåt med baksidan av handen. Se till att kedjesågen stoppar helt.

► **Fig.7:** 1. Främre handskydd 2. Oläst position 3. Läst position

## Kontroll av tröghetsbroms

**⚠ FÖRSIKTIGT:** Om kedjesågen inte stannar inom en sekund i detta test, sluta använda kedjesågen och kontakta vårt auktoriserade servicecenter.

Kör kedjesågen och släpp därefter avtryckaren helt. Kedjan måste stanna helt inom en sekund.

## Justering av kedjemörjningen

Du kan justera matningshastigheten för oljepumpen med justeringskruven. Oljemängden kan justeras med en universalnyckel.

► **Fig.8:** 1. Inställningsskruv

## MONTERING

**⚠ FÖRSIKTIGT:** Se alltid till att maskinen är avstängd och batterikassetten borttagen innan du underhåller maskinen.

**⚠ FÖRSIKTIGT:** Rör inte vid sågkedjan med bara händer. Bär alltid handskar när du hanterar sågkedjan.

## Montering eller demontering av sågkedja

**⚠ FÖRSIKTIGT:** Sågkedjan och svärdet är fortfarande varma direkt efter användning. Låt dem svalna tillräckligt innan du utför något arbete på maskinen.

**⚠ FÖRSIKTIGT:** Montera eller ta bort kedjan på en ren plats fri från sågdamm och liknande.

## Montera sågkedjan

Utför följande steg för att montera sågkedjan:

1. Lossa på kedjebromsen genom att dra i det främre handskyddet.

2. Dra upp spaken meda du trycker på dess kant.  
► **Fig.9:** 1. Spärr

3. Vrid spaken moturs tills kedjedrevskåpan kan tas av.  
► **Fig.10:** 1. Spärr 2. Kedjedrevskåpa

4. Ta bort kedjedrevskåpan.

5. Kontrollera sågkedjans rotationsriktning. Ställ in sågkedjans riktning med markeringen på kedjesågens kropp.  
► **Fig.11:** 1. Markering på kedjesågens kropp

6. Passa in ena änden av sågkedjan på toppen av svärdet.

7. Montera den andra änden av sågkedjan runt kedjehjulet och fäst sedan svärdet på kedjesågens kropp.  
► **Fig.12:** 1. Kedjehjul

8. Vrid kedjesträckaren mot "–" för att skjuta sträckartappen i pilens riktning.  
► **Fig.13:** 1. Inställningsratt 2. Sträckartapp

9. Placera kedjedrevskåpan på kedjesågen så att sträckartappen placeras i ett litet hål i svärdet.

► **Fig.14:** 1. Kedjedrevskåpa 2. Svärd 3. Hål

10. Vrid spaken medurs hela vägen och vred sedan tillbaka spaken lite att behålla kedjan lös för justering av kedjespänningen.

11. Justera kedjespänningen. Se avsnittet för justering av kedjesträckningen för förfarandet.

12. Vrid spaken medurs tills kedjedrevskåpan sitter säkert och för den därefter till dess ursprungliga läge.

► **Fig.15:** 1. Spärr 2. Kedjedrevskåpa

## Ta bort sågkedjan

Utför följande steg för att ta bort sågkedjan:

1. Lossa på kedjebromsen genom att dra i det främre handskyddet.

2. Vrid kedjesträckaren mot "–" för att släppa kedjesträckningen.

► **Fig.16:** 1. Inställningsratt

3. Dra upp spaken meda du trycker på dess kant.

► **Fig.17:** 1. Spärr

4. Vrid spaken moturs tills kedjedrevskåpan kan tas av.

► **Fig.18:** 1. Spärr 2. Kedjedrevskåpa

5. Ta bort kedjedrevskåpan och ta därefter bort sågkedjan och svärdet från kedjesågen.

## Justering av kedjesträckning

**⚠ FÖRSIKTIGT:** Montera eller ta bort kedjan på en ren plats fri från sågdamm och liknande.

**⚠ FÖRSIKTIGT:** Sträck inte sågkedjan för mycket. En alltför sträckt kedja kan medföra kedjebrott, ökat slitage på svärdet eller trasig kedjesträckare.

**⚠ FÖRSIKTIGT:** En kedja som inte är tillräckligt spänd kan hoppa ur sitt spår och orsaka en olycka.

Kedjan kan förlora sin sträckning efter ett antal timmars användning. Kontrollera därför emellanåt kedjesträckningen innan du använder kedjesågen.

1. Dra upp spaken meda du trycker på dess kant.  
► **Fig.19:** 1. Spärr

2. Vrid spaken lite moturs för att lossa kedjedrevskåpan något.

► **Fig.20:** 1. Spärr 2. Kedjedrevskåpa

3. Lyft upp svärdspetsen lite och justera kedjesträckningen. Vrid kedjesträckaren i riktning mot "–" för att lossa, vrid i riktning mot "+" för att späna. Spänn åt sågkedjan tills den nedre delen av sågkedjan passar in i svärdets skena.

► **Fig.21:** 1. Inställningsratt 2. Svärd 3. Sågkedja

4. Fortsätt att hålla lätt i svärdet och dra åt kedjedrevskåpan. Se till att sågkedjan inte slackar på den undre sidan.

5. Ställ skruvhandtaget i sitt ursprungliga läge.

Se till att sågkedjan ligger tätt mot den undre sidan av svärdet.

# ANVÄNDNING

## Smörjning

**⚠ FÖRSIKTIGT:** Arbeta inte med kedjesågen när tanken är tom. Fyll på olja i god tid innan tanken är tom.

**⚠ FÖRSIKTIGT:** Låt inte oljan komma i kontakt med hud och ögon. Kontakt med ögonen orsakar irritation. Skölj omedelbart med rent vatten och kontakta läkare om du får olja i ögonen.

**⚠ FÖRSIKTIGT:** Använd aldrig gammal olja. Redan använda oljor innehåller cancerframkallande ämnen. Föroreningarna i använda oljor medför ökad förorening i oljepump, svärd och kedja. Gammal olja är skadlig för miljön.

**OBSERVERA:** När kedjesågen används för första gången kan det ta upp till två minuter innan sågkedjeoljan börjar smörja sågmekanismen. Kör sågen utan belastning tills den automatiska oljesmörjningen har kommit igång.

**OBSERVERA:** När du fyller på kedjeolja för första gången, eller om du fyller på olja när tanken blivit helt tom, ska du fylla på olja upp till kragen på påfyllningshålet. Oljefördelningen kan annars försämrans.

**OBSERVERA:** Använd endast en sågkedjeolja som är avsedd för Makita:s kedjesågar eller motsvarande som finns tillgänglig i handeln.

**OBSERVERA:** Använd aldrig olja som innehåller damm och partiklar eller flyktig olja.

**OBSERVERA:** Använd botanisk olja vid beskärning av träd. Mineralolja kan skada träden.

**OBSERVERA:** Innan du börjar såga, kontrollera att det medföljande oljetanklocket är fastskruvat på plats.

Sågkedjan blir automatiskt smord när maskinen är i användning. Kontrollera regelbundet återstående mängd olja i oljetanken genom inspektionsfönstret för olja.

► **Fig.22:** 1. Oljetanklock 2. Inspektionsfönster för olja

Utför följande steg för att fylla på olja:

1. Rengör noggrant området runt oljetanklocket för att förhindra att smuts kommer in i oljetanken.

2. Lägg kedjesågen på sidan.

3. Tryck ned knappen på oljetanklocket så att knappen på andra sidan sticker ut, och ta bort oljetanklocket genom att vrida det.

► **Fig.23:** 1. Oljetanklock 2. Dra åt 3. Lossa

4. Fyll oljetanken med olja. Korrekt mängd olja är 260 ml.

5. Skruva på tanklocket ordentligt igen.

6. Torka omsorgsfullt bort eventuell utspild olja.

**OBS:** Om det är svårt att ta bort oljetanklocket ska du sätta in den fasta nyckeln i spåret på oljetanklocket och ta sedan av oljetanklocket genom att vrida det moturs.

► **Fig.24:** 1. Skåra 2. Fast nyckel

Håll bort kedjesågen från trädet efter påfyllning. Starta den och vänta tills smörjningen av sågkedjan är tillräcklig.

► **Fig.25**

## Arbeta med kedjesågen

**⚠ FÖRSIKTIGT:** Förstagångsanvändare ska, åtminstone som en liten övning, börja såga stockar på en sågbock eller ställning.

**⚠ FÖRSIKTIGT:** Vid sågning i förkapat timmer ska du använda ett säkert stöd (sågbock eller vagga). Stöd inte arbetsstycket med din fot och tillåt inte att någon annan håller eller stödjer det.

**⚠ FÖRSIKTIGT:** Fäst runda arbetsstycken så att de inte roterar.

**⚠ FÖRSIKTIGT:** Håll bort sågkedjan från kroppen när motorn är igång.

**⚠ FÖRSIKTIGT:** Håll i kedjesågen ordentligt med båda händerna när motorn är igång.

**⚠ FÖRSIKTIGT:** Översträck inte. Stå alltid stabilt och ha god balans hela tiden.

**OBSERVERA:** Kasta eller tappa inte verktyget.

**OBSERVERA:** Täck inte över verktygets ventilationshål.

För den nedre delen av kedjesågen till den gren som ska sågas av innan sågen slås på. I annat fall kan svärdet kränga och skada användaren. Såga av det träd som ska sågas genom att använda kedjesågens vikt.

► **Fig.26**

Om du inte kan såga rakt igenom stocken med ett enda skär:

Tryck lätt på handtaget och fortsätt att såga och dra kedjesågen bakåt en aning. Placera sedan stödkammen lite lägre och avslutar snittet genom att lyfta handtaget.

► **Fig.27**

## Kapning

1. Vila den nedre delen av kedjesågen på den gren som ska sågas av.

► **Fig.28**

2. Medan kedjan löper sågar du in i stocken genom att lyfta sågen med det bakre handtaget och styra svärdet med det främre. Använd barkskyddet som vridpunkt.

3. Fortsätt att såga genom att trycka lätt på det främre handtaget och lyfta sågens bakända något. Flytta barkskyddet i sågriktningen och lyft det främre handtaget igen.

**OBSERVERA:** Stäng av sågen mellan skären om du ska göra fler kapningar.

**⚠ FÖRSIKTIGT:** Du kan få bakåtkast i riktning mot dig om du sågar med svärdets ovansida och kedjan kläms fast. Såga därför med undersidan så att sågen strävar i riktning bort från dig.

► **Fig.29**

När du kappar en stock som är utsatt för tryck ska alltid den tryckutsatta sidan (A) sågas först. Såga därefter slutskäret från den andra sidan (B). På så vis undviker du att svärdet kläms fast.

► **Fig.30**

## Kvistning

**⚠ FÖRSIKTIGT:** Kvistning får endast utföras av personer med stor erfarenhet av sågning. Kastrisken är stor.

Om möjligt bör sågen stödhas mot stammen. Använd inte spetsen på svärdet på grund av kastrisken. Var särskilt uppmärksam på grenar som är i spänn. Såga inte i fritt hängande grenar från undersidan. Stå inte på det avverkade trädet vid kvistning.

## Spårsågning och sågning parallellt med träfibren

**⚠ FÖRSIKTIGT:** Spårsågning och sågning parallellt med träfibren får endast utföras av personer med särskild utbildning. Kastrisken och olycksrisken är stor.

Sågning parallellt med träfibren ska göras i så liten vinkel som möjligt. Var extra försiktig när du skär eftersom barkskyddet inte kan användas.

► Fig.31

## Trädfällning

**⚠ FÖRSIKTIGT:** Fällning av träd får endast utföras av särskilt utbildade personer. Arbetet är riskfyllt.

lakta gällande föreskrifter vid fällning av träd.

► Fig.32: 1. Trädfällningsområde

- Innan du påbörjar arbetet ska du kontrollera att:
    - Inga obehöriga finns inom området.
    - Alla inblandade personer måste ha en säker reträttväg inom ett område av ca 45° på vardera sidan av fällriktningen. Eventuella elkablar som kan finnas i fällområdet måste lokaliseras.
    - Det får inte finnas hindrande föremål t ex rötter och grenar på trädets rot del.
    - Personer eller föremål får inte finnas inom ett avstånd av 2/2 träd längder i trädets fällriktning.
  - Beakta följande för respektive träd:
    - Lutningsriktning.
    - Lösa eller torra grenar.
    - Trädets höjd.
    - Naturliga överhäng.
    - Eventuell röta i trädet.
  - Beakta vindhastighet och vindriktning. Fäll inte träd när starka vindbyar förekommer.
  - Trimning av rötter: Börja med de största rotutskotten. Såga det vertikala skäret först och därefter det horisontella.
  - Stå vid sidan av det fallande trädet. Se till att området bakom trädet är tomt i en vinkel av 45° på båda sidor av trädets axel (se figuren med "fällområdet"). Var uppmärksam på fallande grenar.
  - En flyktväg ska planeras och eventuella hinder undanröjas innan sågningen påbörjas. Flyktvägen ska gå bakåt och diagonalt till den gräns som trädet förväntas att falla, såsom visas i figuren.
- Fig.33: 1. Fällriktning 2. Färdzon 3. Flyktväg

Vid trädfällning måste följande procedur följas:

1. Anlägg riktskåret så nära marken som möjligt. Såga först det horisontella skäret till ett djup på 1/5 - 1/3 av stamdiametern. Gör inte skäret för långt. Såga därefter det diagonala skäret.

► Fig.34

**OBS:** Riktskåret bestämmer fällriktningen och styr trädet. Riktskåret görs på den sida som trädet ska falla åt.

2. Såga fällskåret litet högre upp än riktskårets horisontella skär. Fällskåret måste vara exakt horisontellt. Lämna ungefär 1/10 av stamdiametern mellan fällskär och riktskär. Träfibren i den osågade delen fungerar som ett gångjärn. Sätt i fällkilar i fällskåret så snart skärdjupet är tillräckligt.

► Fig.35

**⚠ VARNING:** Såga under inga omständigheter genom alla träfibrer. I annat fall faller trädet okontrollerat.

**OBSERVERA:** Endast kilar av plast eller aluminium får användas för att hålla fällskåret öppet. Järnkilar får inte användas.

## Bära maskinen

Innan du lyfter upp verktyget måste du applicera kedjebromsen och ta loss batterikassetten från verktyget. Sätt sedan dit svärdskyddet. Täck också batterikassetten med batteriskyddet.

► Fig.36: 1. Svärdskydd 2. Batterikåpa

## UNDERHÅLL

**⚠ FÖRSIKTIGT:** Se alltid till att maskinen är avstängd och batterikassetten borttagen innan inspektion eller underhåll utförs.

**⚠ FÖRSIKTIGT:** Använd alltid handskar vid kontroller och underhåll.

**OBSERVERA:** Använd inte bensin, förtunningsmedel, alkohol eller liknande. Missfärgning, deformation eller sprickor kan uppstå.

För att upprätthålla produktens SÄKERHET och TILLFÖRLITLIGHET bör allt underhålls- och justeringsarbete utföras av ett auktoriserat Makita servicecenter och med reservdelar från Makita.

## Filning av sågkedja

Fila kedjan när:

- Du får spåndamm när du sågar i fuktigt trä.
- Kedjan har svårt att såga trots att du trycker hårt med sågen.
- Skärtänderna är synbart skadade.
- Sågen drar åt vänster eller höger i träet (Orsakas av att filningen av sågkedjan har blivit ojämn eller skadad på någon av sidorna.)



Fila sågkedjan lite men ofta. Två eller tre drag med filen är oftast tillräckligt vid rutinmässig filning. Lämna sågkedjan för filning hos vårt auktoriserade servicecenter när du har filat om den många gånger.

#### Filningskriterier:

**⚠ VARNING:** Ett överdrivet avstånd mellan skärret och djupmätaren ökar risken för bakåtkast.

- **Fig.37:** 1. Såglängd 2. Avstånd mellan skärlängd och djupmätaren 3. Minsta skärlängd (3 mm)
- Alla skärtänder måste vara lika långa. Olika längd på skärtänderna förhindrar att kedjesågen går jämnt och kan leda till kedjebrott.
  - Slipa inte en kedja vars skärtänder har en längd som är 3 mm eller mindre. Kedjan måste bytas mot en ny.
  - Spåntjockleken bestäms av avståndet mellan underställningsklacken (rund nos) och skärtanden.
  - Det bästa sågresultatet uppnås med följande höjdskillnad mellan skärtand och underställningsklack.
    - Kedjeblad 91PX: 0,65 mm
    - Kedjeblad 80TXL: 0,65 mm
- **Fig.38**
- Filningsvinkeln ska vara 30° och måste vara densamma för alla skärtänder. Skillnader i vinkel får kedjan att löpa ryckigt och ojämnt, slitaget ökar och det leder till kedjebrott på kedjan.
  - Använd en lämplig rundfil så att korrekt vinkel hålls på tänderna.
    - Kedjeblad 91PX : 5°
    - Kedjeblad 80TXL: 5°

#### Fil och filningsanvisningar

- Fila kedjan med en specialrundfil (valfritt tillbehör) för sågkedjor. Använd inte standard rundfiler.
  - Diametern för rundfilen för varje sågkedja är följande:
    - Kedjeblad 91PX: 4,0 mm
    - Kedjeblad 80TXL: 4,0 mm
  - Fila endast med skjutande tag. Lyft filen från skärtanden när du för filen bakåt.
  - Fila den kortaste skärtanden först. Längden för den kortaste skärtanden blir standard för alla andra skärtänder på sågkedjan.
  - För filen på det sätt som framgår av figuren.
- **Fig.39:** 1. Fil 2. Sågkedja

- Det går lättare att fila om en filmall (tillbehör) används. Filmallen har markeringar för rätt filningsvinkel 30° (rikta in markeringarna parallellt med sågkedjan), och begränsar filningsdjupet (till 4/5 av fildiametern).
- **Fig.40:** 1. Filhållare

- Kontrollera höjden på underställningsklacken med hjälp av specialverktyget (tillbehör) när kedjan är färdigfilad.
- **Fig.41**

- Ta bort eventuellt utskjutande material, avsett hur litet, med en speciell plattfil (tillbehör).
- Runda av främre delen av underställningsklacken igen.

## Rengöring av svärdet

Spån och damm kommer att sätta igen spåret i svärdet. De kan sätta igen spåret i svärdet och försämrade oljeflödet. Rensa bort spån och damm varje gång när sågkedjan slipas eller byts ut.

► **Fig.42**

## Rengöra kedjedrevskåpan

Spån och damm ackumuleras inne i kedjedrevskåpan. Ta bort kedjedrevskåpan och sågkedjan från verktyget och gör rent från spån och damm.

► **Fig.43**

## Rengöring av oljematningshålet

Fint damm eller små partiklar kan byggas upp i oljematningshålet under användning. Detta damm eller små partiklar kan försämrade flödet av oljematningen och orsaka otillräcklig smörjning av hela sågkedjan. När oljematningsflödet försämrats på svärdspetsen ska oljematningshålet rengöras på följande sätt.

1. Ta bort kedjedrevskåpan och sågkedjan från maskinen.
2. Ta bort fint damm eller små partiklar med en spårskruvmejsel eller liknande.

► **Fig.44:** 1. Spårskruvmejsel 2. Oljematningshål

3. Sätt i batterikassetten i maskinen. Tryck in avtryckaren för att få bort damm eller partiklar som satt igen oljematningshålet genom att släppa ut kedjeolja.
4. Ta bort batterikassetten från maskinen. Sätt tillbaka kedjedrevskåpan och sågkedjan på maskinen.

## Utbyte av kedjehjulet

**⚠ FÖRSIKTIGT:** Ett slitet kedjehjul förorsakar skador på sågkedjan. Byt ut kedjehjulet om det är slitet.

Kontrollera konditionen på kedjehjulet innan en ny kedja monteras.

► **Fig.45:** 1. Kedjehjul 2. Slitna områden

Montera alltid en ny låsring samtidigt som du byter kedjehjul.

► **Fig.46:** 1. Låsring 2. Kedjehjul

**OBSERVERA:** Se till att kedjehjulet är installerat enligt figuren.

## Förvara verktyget

1. Rengör maskinen innan förvaring. Ta bort spån och sågdamm från maskinen efter att kedjedrevskåpan är borttagen.
2. Kör maskinen utan belastning för att smörja sågkedjan och svärdet efter rengöringen.
3. Täck över svärdet med svärdskyddet.
4. Töm oljetanken.

## Instruktioner för periodiskt underhåll

För att garantera lång livslängd, förebygga skador och säkerställa att säkerhetsfunktionerna fungerar måste följande underhåll utföras regelbundet. Garanti lämnas endast om dessa arbeten utförs regelbundet och på föreskrivet sätt. Om det föreskrivna underhållet inte utförs kan allvariga olyckor uppstå! Användaren av kedjesågen ska inte utföra underhållsarbeten som inte finns beskrivna i bruksanvisningen. Alla sådana arbeten ska utföras av ett auktoriserat servicecenter.

Kontrollera föremålet/ drifttiden	Före användning	Varje dag	Varje vecka	Var tredje månad	Varje år	Innan förvaring
Kedjesåg	Inspektion.	✓	-	-	-	-
	Rengöring.	-	✓	-	-	-
	Kontakta ett auktoriserat servicecenter.	-	-	-	-	✓
Sågkedja	Inspektion.	✓	-	-	-	-
	Slipning vid behov.	-	-	-	-	✓
Svärd	Inspektion.	✓	✓	-	-	-
	Ta bort från kedjesågen.	-	-	-	-	✓
Kedjebroms	Kontrollera funktion.	✓	-	-	-	-
	Låt inspektera regelbundet av ett auktoriserat servicecenter.	-	-	-	✓	-
Kedjesmörjning	Kontrollera oljematningshastigheten.	✓	-	-	-	-
Avtryckare	Inspektion.	✓	-	-	-	-
Säkerhetsspärr	Inspektion.	✓	-	-	-	-
Oljetanklock	Kontrollera stramhet.	✓	-	-	-	-
Kedjefångare	Inspektion.	-	-	✓	-	-
Skrubar och muttrar	Inspektion.	-	-	✓	-	-

# FELSÖKNING

Innan du ber om reparation ska du först utföra en egen kontroll. Om du hittar ett problem som inte finns förklarat i bruksanvisningen ska du inte försöka att ta isär maskinen. Fråga istället ett auktoriserad servicecenter för Makita, och använd alltid reservdelar från Makita för reparationer.

Felstatus	Orsak	Åtgärd
Kedjesågen startar inte.	Batterikassetten är inte installerad.	Sätt i en laddad batterikasset.
	Batteriproblem (låg spänning).	Ladda upp batterikassetten. Om uppladdningen inte hjälper, byt ut batterikassetten.
	Strömbrytaren är från.	Kedjesågen stäng av automatiskt om den inte används under en viss tid. Aktivera strömbrytaren igen.
Kedjesågen fungerar inte.	Kedjebroms aktiverad.	Lossa kedjebromsen.
Motorn stannar efter en kort stunds användning.	Batterinivån är låg.	Ladda upp batterikassetten. Om uppladdningen inte hjälper, byt ut batterikassetten.
Ingen olja på kedjan.	Oljetanken är tom.	Fyll på oljetanken.
	oljekanalerna är smutsiga.	Gör rent spårerna.
	Dålig oljetillförsel.	Justera oljemängden med justerskruven.
Kedjesågen når inte det maximala varvtalet.	Batterikassetten är felaktigt insatt.	Sätt dit batterikassetten enligt anvisningarna i denna bruksanvisning.
	Batterinivån sjunker.	Ladda upp batterikassetten. Om laddning inte hjälper byter du ut batterikassetten.
	Drivsystemet fungerar inte som det ska.	Fråga ett auktoriserat servicecenter i din region avseende reparation.
Lampan för nätspänning blinkar grönt.	Avtryckaren aktiveras vid oavsiktliga förhållanden.	Aktivera avtryckaren när strömbrytaren aktiverats och kedjebromsen släppts.
Kedjan stannar inte även om kedjebromsen är aktiverad: <b>Stoppa verktyget omedelbart!</b>	Bromsbandet är slitet.	Fråga ett auktoriserat servicecenter i din region avseende reparation.
Onormal vibration: <b>Stoppa verktyget omedelbart!</b>	Lossa svärdet eller kedjesågen.	Justera svärdet och kedjespänningen.
	Verktysfel.	Fråga ett auktoriserat servicecenter i din region avseende reparation.
Sågkedjan kan inte monteras.	Kombinationen av sågkedja och kedjedrev är inte korrekt.	Använd den rätta kombinationen av sågkedja och kedjedrev med hjälp av avsnittet med specifikationer.

## VALFRIA TILLBEHÖR

**⚠ FÖRSIKTIGT:** Följande tillbehör eller tillsatser rekommenderas för användning med den Makita-maskin som denna bruksanvisning avser.

Om andra tillbehör eller tillsatser används kan det uppstå risk för personskador. Använd endast tillbehören eller tillsatserna för de syften de är avsedda för.

Kontakta ditt lokala Makita servicecenter om du behöver ytterligare information om dessa tillbehör.

- Sågkedja
- Svärd
- Svärdskydd
- Fil
- Verktysväska
- Makitas originalbatteri och laddare

**⚠ VARNING:** Om du köper ett svärd med en annan längd än standardsvärd måste du även köpa ett lämpligt svärdskydd. Det måste passa och helt täcka kedjesågens svärdskydd.

**OBS:** Några av tillbehören i listan kan vara inkluderade i maskinpaketet som standardtillbehör. De kan variera mellan olika länder.

## TEKNISKE DATA

Modell:		UC014G	UC015G	UC016G	UC017G
Samlet lengde (uten føringsstang)		445 mm			
Nominell spenning		DC 36 V - 40 V maks			
Nettovekt	*1	4,5 kg			
	*2	6,2 - 6,9 kg			6,2–6,9 kg
Standard sverdlengde		300 mm	350 mm	400 mm	450 mm
Anbefalt sverdlengde		300–450 mm			
Egnet sagkjedetype (se tabellen nedenfor)		91PX 80TXL			
Kjedehjul (91PX)	Antall tenner	6			
	Vinkel	3/8"			
Kjedehjul (80TXL)	Antall tenner	7			
	Vinkel	0,325"			
Kjedehastighet		0 - 25,5 m/s (0 - 1 530 m/min)			0–25,5 m/s (0–1 530 m/min)
Volum kjedeoljetank		260 cm <sup>3</sup>			
Beskyttelsesgrad		IPX4			

• På grunn av vårt kontinuerlige forsknings- og utviklingsprogram kan spesifikasjonene som oppgis i dette dokumentet endres uten varsel.

• Spesifikasjonene kan variere fra land til land.

\*1: Vekt, uten sagkjedet, sverdet, sverddekselet, olje og batteri(er).

\*2: Den letteste og tyngste vektkombinasjonen i henhold til EPTA-prosedyre 01/2014. Vekten kan variere avhengig av tilbehøret/tilbehørene, inkludert batteriet/batteriene.

### Kombinasjonen sagkjede, sverd og kjedehjul

Sagkjedetype		91PX			
Antall drivkjeder		46	52	56	62
Sverd	Sverdlengde	300 mm	350 mm	400 mm	450 mm
	Skjærelengde	268 mm	324 mm	361 mm	418 mm
	Vinkel	3/8"			
	Måleinnretning	1,3 mm			
	Type	Feste for kjedehjul			
Kjedehjul	Antall tenner	6			
	Vinkel	3/8"			

Sagkjedetype		80TXL			
Antall drivkjeder		51	59	64	70
Sverd	Sverdlengde	300 mm	350 mm	400 mm	450 mm
	Skjærelengde	259 mm	325 mm	366 mm	416 mm
	Vinkel	0,325"			
	Måleinnretning	1,1 mm			
	Type	Feste for kjedehjul			
Kjedehjul	Antall tenner	7			
	Vinkel	0,325"			

**ADVARSEL:** Bruk riktig kombinasjon av sverd og sagkjede. Ellers kan det medføre alvorlige personskader.

# Passende batteri og lader

Batteriinnsett	BL4040 / BL4050F* *: Anbefalt batteri
Lader	DC40RA / DC40RB / DC40RC

- Noen av batteriene og laderne som er opplistet ovenfor er kanskje ikke tilgjengelige, avhengig av hvor du bor.

**⚠ ADVARSEL: Bruk kun de batteriene og laderne som er opplistet ovenfor.** Bruk av andre batterier og ladere kan føre til personskader og/eller brann.

## Anbefalt ledning koblet til strømkilde

Bærbar lader	PDC01
--------------	-------

- De(n) ledningstilkoblede strømkilden(e) som er oppgitt ovenfor er kanskje ikke tilgjengelige, avhengig av hvor du bor.
- Før du bruker de ledningstilkoblede strømkildene, må du lese instruksjons- og forsiktighetsskilt på dem.

## Symboler

Nedenfor ser du symbolene som kan brukes for dette utstyret. Forviss deg om at du forstår hva de betyr, før du begynner å bruke maskinen.

	Les bruksanvisningen.
 	Bruk vernebriller.
 	Bruk hørselsvern.
	Bruk hjelm, vernebriller og hørselsvern.
	Maksimalt tillatt skjærelengde
	Du må alltid bruke begge hender når du bruker motorsagen.
	Vær oppmerksom på at motorsagen kan ha et tilbakeslag, og unngå kontakt med stangspissen.
	Kjedets rotasjonsretning
	Justering av oljen til sagkjede



Ni-MH  
Li-ion

Kun for EU-land

På grunn av forekomst av farlige komponenter i utstyret, kan avfall fra elektrisk og elektronisk utstyr, akkumulatører og batterier ha en negativ innvirkning på miljøet og menneskers helse.

Ikke kast elektriske og elektroniske apparater eller batterier sammen med husholdningsavfall!

I samsvar med det europeiske direktivet om avfall fra elektrisk og elektronisk utstyr og om akkumulatører og batterier samt akkumulatører og batterier som skal kastes, samt deres tilpasning til nasjonal lovgivning, skal brukt elektrisk utstyr samt brukte batterier og akkumulatører samles inn separat og leveres til et eget innsamlingssted for kommunalt avfall, som driver virksomhet i samsvar med miljøvernforskriftene.

Dette er angis av symbolet med den overkryssede avfallsbeholderen som er plassert på utstyret.



Garantert lydeffektivnivå i henhold til EU-direktivet om støy fra utstyr til utendørs bruk.



Lydeffektivnivå i henhold til Australia NSW støykontrollforskrift

## Riktig bruk

Motorsagen er beregnet på saging i tre.

## Støy

Typisk A-vektet lydtryknivå er bestemt i henhold til EN62841-4-1:

### Modell UC014G

Lydtryknivå ( $L_{pA}$ ): 91 dB (A)

Lydeffektivnivå ( $L_{WA}$ ): 102 dB (A)

Usikkerhet (K): 3 dB (A)

### Modell UC015G

Lydtryknivå ( $L_{pA}$ ): 91 dB (A)

Lydeffektivnivå ( $L_{WA}$ ): 102 dB (A)

Usikkerhet (K): 3 dB (A)

### Modell UC016G

Lydtryknivå ( $L_{pA}$ ): 91 dB (A)

Lydeffektivnivå ( $L_{WA}$ ): 102 dB (A)

Usikkerhet (K): 3 dB (A)

### Modell UC017G

Lydtrykknivå ( $L_{pA}$ ): 91 dB (A)

Lydeffektnivå ( $L_{WA}$ ): 102 dB (A)

Usikkerhet (K): 3 dB (A)

**MERK:** Den/de oppgitte verdiene for genererte vibrasjoner har blitt målt i henhold til standard testmetoder, og kan bli brukt til å sammenligne ett verktøy med et annet.

**MERK:** Den/de angitte verdiene for de genererte vibrasjonene kan også brukes til en foreløpig vurdering av eksponeringen.

**⚠ ADVARSEL:** Bruk hørselsvern.

**⚠ ADVARSEL:** De genererte vibrasjonene ved faktisk bruk av elektroverktøyet kan avvike fra den/de angitte vibrasjonsverdiene(e), avhengig av hvordan verktøyet brukes.

**⚠ ADVARSEL:** Sørg for å identifisere vernetiltak for å beskytte operatøren, som er basert på et estimat av eksponeringen under de faktiske bruksforholdene (idet det tas hensyn til alle deler av driftssyklusen, dvs. hvor lenge verktøyet er slått av, hvor lenge det går på tomgang og hvor lenge startbryteren faktisk holdes trykket).

### Vibrasjoner

Den totale vibrasjonsverdien (triaksial vektorsum) bestemt i henhold EN62841-4-1:

#### Modell UC014G

Arbeidsmodus: saging av tre

Genererte vibrasjoner ( $a_{h,w}$ ): 5,0 m/s<sup>2</sup>

Usikkerhet (K): 1,5 m/s<sup>2</sup>

#### Modell UC015G

Arbeidsmodus: saging av tre

Genererte vibrasjoner ( $a_{h,w}$ ): 5,0 m/s<sup>2</sup>

Usikkerhet (K): 1,5 m/s<sup>2</sup>

#### Modell UC016G

Arbeidsmodus: saging av tre

Genererte vibrasjoner ( $a_{h,w}$ ): 5,0 m/s<sup>2</sup>

Usikkerhet (K): 1,5 m/s<sup>2</sup>

#### Modell UC017G

Arbeidsmodus: saging av tre

Genererte vibrasjoner ( $a_{h,w}$ ): 5,0 m/s<sup>2</sup>

Usikkerhet (K): 1,5 m/s<sup>2</sup>

**MERK:** Den/de oppgitte verdiene for totalt genererte vibrasjoner har blitt målt i henhold til standard testmetoder, og kan bli brukt til å sammenligne ett verktøy med et annet.

**MERK:** Den/de angitte verdiene for totalt genererte vibrasjoner kan også brukes til en foreløpig vurdering av eksponeringen.

**⚠ ADVARSEL:** De genererte vibrasjonene ved faktisk bruk av elektroverktøyet kan avvike fra den/de angitte vibrasjonsverdiene(e), avhengig av hvordan verktøyet brukes og spesielt i forhold til arbeidsstykket som blir behandlet.

**⚠ ADVARSEL:** Sørg for å identifisere vernetiltak for å beskytte operatøren, som er basert på et estimat av eksponeringen under de faktiske bruksforholdene (idet det tas hensyn til alle deler av driftssyklusen, dvs. hvor lenge verktøyet er slått av, hvor lenge det går på tomgang og hvor lenge startbryteren faktisk holdes trykket).

### EFs samsvarserklæring

#### Gjelder kun for land i Europa

EFs samsvarserklæring er lagt til som vedlegg A i denne bruksanvisningen.

### SIKKERHETSADVARSEL

#### Generelle advarsler angående sikkerhet for elektroverktøy

**⚠ ADVARSEL:** Les alle sikkerhetsadvarsler, instruksjoner, illustrasjoner og spesifikasjoner som følger med dette elektroverktøyet. Hvis ikke alle instruksjonene nedenfor følges, kan det forekomme elektrisk støt, brann og/eller alvorlig skade.

#### Oppbevar alle advarsler og instruksjoner for senere bruk.

Uttrykket «elektrisk verktøy» i advarslene refererer både til elektriske verktøy (med ledning) tilkoblet strømmettet, og batteridrevne verktøy (uten ledning).

#### Generelle sikkerhetsadvarsler for motorsag

- Hold alle kroppsdeler unna sagkjedet når motorsagen er i gang. Før du starter motorsagen må du forvise deg om at kjedet ikke er borti noe.** Et øyeblikks uoppmerksomhet mens du bruker motorsagen kan være nok til å sette fast klærne eller kroppsdeler i sagkjedet.
- Du må alltid holde motorsagen med høyre hånd på det bakre håndtaket og venstre hånd på det fremre håndtaket.** Hvis du holder motorsagen på motsatt vis, øker dette risikoen for personskade. Ikke hold utstyret på denne måten.
- Hold motorsagen kun i de isolerte gripeflatene, ettersom sagkjedet kan komme i kontakt med skjulte ledninger.** Hvis et sagkjede kommer i kontakt med en strømførende ledning, vil også uisolerte deler av motorsagen gjøres strømførende og kunne gi operatøren elektrisk støt.
- Bruk beskyttelsesbriller. Det anbefales å bruke ytterligere verneutstyr for hørsel, hode, hender, bein og føtter.** Egnede verneutstyr vil redusere personskadene som følge av flygende flis eller utilsiktet kontakt med sagkjedet.
- Ikke bruk en motorsag mens du er oppe i et tre, på et tak eller på et ustabil underlag.** Hvis du bruker en motorsag på denne måten, kan det føre til alvorlige personskader.
- Pass på alltid å ha godt fotfeste, og bruk motorsagen kun når du står på et fast, trygt og jevnt underlag.** Glatte og våte overflater kan forårsake at du kommer ut av balanse eller mister kontrollen over motorsagen.
- Når du kutter en gren som står i spenn, må du være forberedt på å måtte hoppe tilbake.** Når spenningen i trefibrene utløses, vil den fjærbelastede grenen kunne slå til operatøren og/eller kaste motorsagen ut av kontroll.

8. **Vær ekstremt forsiktig ved kutting av buskvekster og ungrtrær.** Det tynne materialet kan sette seg fast i sagkjedet og piskes mot deg eller trekke deg ut av likevekt.
  9. **Motorsagen må kun bæres etter fronthåndtaket, og den må være slått av og peke bort fra kroppen din. Ved transport eller lagring av motorsagen må sverddekelelet alltid settes på.** Korrekt håndtering av motorsagen vil redusere sannsynligheten for at du ved et ulykketilfelle kommer borti det roterende sagkjedet.
  10. **Følg instruksjonene for smøring, kjedestramming og utskifting av sverdet og kjedet.** Et kjede som ikke er strammet eller smurt på riktig måte, kan enten knekke eller øke sjansen for tilbakeslag.
  11. **Bruk sagen kun til tre. Ikke bruk motorsagen til annet enn det den er konstruert for. For eksempel: Ikke bruk motorsagen til å kutte metall, plast, mur eller andre byggematerialer enn tre.** Hvis motorsagen brukes til andre annet enn det den er konstruert for, kan det oppstå farlige situasjoner.
  12. **Ikke gjør forsøk på å felle et tre før du har en god forståelse av farene og hvordan de kan unngås.** Operatøren eller tilskuere kan bli alvorlig skadet under trefelling.
  13. **Årsaker til tilbakeslag og hvordan operatøren kan forhindre dette:**  
 Det kan oppstå tilbakeslag hvis spissen av føringsstangen kommer borti en gjenstand, eller når treet lukker seg og klemmer fast sagkjedet i snittet. I noen tilfeller kan det å komme borti noe med spissen føre til en plutselig motsatt rettet reaksjon, så føringsstangen kastes oppover og tilbake mot operatøren.  
 Hvis sagkjedet kommer i klem langs oversiden av føringsstangen, kan føringsstangen slås raskt tilbake mot operatøren.  
 Begge disse reaksjonene kan føre til at du mister kontrollen over sagen, noe som kan føre til alvorlige personskader. Ikke stol utelukkende på sikkerhetsanordningene som er innebygd i sagen din. Som bruker av en motorsag bør du treffe flere tiltak for å sikre at sagejobbene dine foregår uten ulykker eller skader.  
 Tilbakeslag er et resultat av feil bruk av motorsagen og/eller feilaktige arbeidsprosedyrer eller arbeidsforhold, og kan unngås ved å ta de rette forholdsreglene (se nedenfor).
    - **Hold maskinen i et fast grep med begge hender, slik at tomlene og fingrene ligger rundt håndtakene på motorsagen, og hold kroppen og armene dine slik at de kan motstå kraften fra maskinen i tilfelle den slår tilbake mot deg.** Kraften i tilbakeslaget kan kontrolleres av operatøren, hvis vedkommende tar sine forholdsregler. Ikke slipp motorsagen.
    - **Hold maskinen i et fast grep med begge hender, slik at tomlene og fingrene ligger rundt håndtakene på motorsagen, og hold kroppen og armene dine slik at de kan motstå kraften fra maskinen i tilfelle den slår tilbake mot deg.** Kraften i tilbakeslaget kan kontrolleres av operatøren, hvis vedkommende tar sine forholdsregler. Ikke slipp motorsagen.
- **Bare bruk reservesverd og -sagkjeder som er angitt av produsenten.** Feil reservesverd og -sagkjeder kan føre til kjedebrudd og/eller tilbakeslag.
  - **Følg produsentens slipe- og vedlikeholdsanvisninger for sagkjedet.** Hvis du reduserer høyden på rytterne kan du komme til å øke faren for tilbakeslag.
14. **Følg alle instruksjoner ved fjerning av materiale som sitter fast, oppbevarer eller vedlikeholder motorsagen. Sørg for at bryteren er av og batteripakken er fjernet.** Uventet aktivering av motorsagen mens du fjerner materiale som sitter fast eller utfører vedlikehold, kan forårsake alvorlige personskader.

## Flere sikkerhetsanvisninger

### Personlig verneutstyr

1. Klærne må være telttsittende, men de må ikke gjøre det vanskelig å bevege seg fritt.
2. Bruk følgende verneklær under arbeidet:
  - Godkjent vernehjelm, hvis det kan være fare for fallende grener eller liknende
  - Ansiktsmaske eller vernebriller
  - Passende hørselsvern (øreklodder, tilpassede eller formbare øreplugg) Oktavanalyse på forespørsel.
  - Faste vernehansker av skinn
  - Langbukser laget av sterkt stoff
  - Vernebukser av et materiale som er motstandsdyktig mot kutt
  - Vernesko eller -støvler med sklisikre såler, ståltopp og er laget av et materiale som motstandsdyktig mot kutt
  - Pustemaske ved arbeid som produserer støv (f.eks. Saging av tørt tre).

### Bruk

1. **Før du begynner å jobbe, må du kontrollere at motorsagen er funksjonsdyktig og i så god stand at den oppfyller sikkerhetskravene. Kontroller særlig at:**
  - Kjedebremsen virker som den skal
  - Utkoblingsbremsen virker som den skal
  - Sverdet og kjedehjulbeskyttelsen er satt riktig på
  - Kjedet er slipt og strammet i samsvar med retningslinjene.
2. **Ikke start motorsagen mens kjededeckslet monteres.** Dette kan medføre personskader og skader på gjenstander i området rundt brukeren.
3. **Når du bruker verktøyet på gjørmete underlag, i våte bakker eller på glatte steder, må du passe på at du ikke mister fotfestet.**
4. **Ikke senk Verktøyet ned i en vann.**
5. **Ikke etterlat verktøyet uten oppsyn utendørs når det regner.**

### Elektrisk sikkerhet og batterisikkerhet

1. **Unngå farlige omgivelser. Ikke bruk verktøyet i fuktige eller våte omgivelser, og ikke utsett det for regn.** Hvis det kommer vann inn i verktøyet, vil risikoen for elektriske støt øke.

### ► Fig.1

- **Ikke len deg over verktøyet eller skjær over skulderhøyde.** På denne måten kan du unngå at du uforvarende kommer borti noe med spissen av sverdet, og du får bedre kontroll med motorsagen i uventede situasjoner.

2. **Ikke kast batteriet (batteriene) på åpen ild.**  
Cellen kan eksplodere. Batterier skal leveres til en forhandler av elektroutstyr eller til et kommunalt avfallsmottak.
3. **Ikke åpne eller ødelegg batteriet (batteriene).**  
Elektrolytt som lekker ut er korroderende, og kan forårsake skader på øyne og hud. Den kan være giftig hvis den svelges.
4. **Ikke skift batteri når det regner, eller i fuktige omgivelser.**
5. **Ikke lad batteriet utendørs.**
6. **Ikke håndter laderen, inkludert laderstøpset og laderterminalene, med våte hender.**
7. **Ikke skift ut batteriet når det regner.**
8. **Ikke skift ut batteriet med våte hender.**
9. **Ikke la batteriet stå ute i regnet, og du må heller ikke lade, bruke eller oppbevare batteriet på et fuktig eller vått sted.**
10. **Ikke fukt terminalen eller batteriet med væsker som vann, og ikke dynk batteriet i vann.** Hvis terminalen blir våt eller det trenger vann inn i batteriet, kan batteriet kortslutte, og det er risiko for overoppheting, brann eller eksplosjon.
11. **Når du har tatt batteriet ut av maskinen eller laderen, må du sørge for å feste batteridekselet til batteriet og oppbevare det på et tørt sted.**
12. **Hvis batteriet blir vått, tømmer du batteriet for vann og tørker det med en tør klut. Tørk batteriet helt på et tørt sted før bruk.**

#### Vedlikehold og oppbevaring

1. Ved oppbevaring av verktøyet må du unngå direkte sollys og regn, og den skal oppbevares på et sted som ikke blir varmt eller fuktig.

## TA VARE PÅ DISSE INSTRUKSJONENE.

**⚠ ADVARSEL:** IKKE LA hensynet til hva som er "behagelig" eller det faktum at du kjenner produktet godt (etter mange gangers bruk) gjøre deg mindre oppmerksom på sikkerhetsreglene for bruken av det aktuelle produktet. Ved MISBRUK eller hvis ikke sikkerhetsreglene i denne bruksanvisningen følges, kan det oppstå alvorlig personskade.

### Viktige sikkerhetsanvisninger for batteriinnsetts

1. Før du begynner å bruke batteriet, må du lese alle anvisninger og forsiktighetsregler på (1) batteriladeren, (2) batteriet og (3) det produktet batteriet skal brukes i.
  2. Ikke demonter eller tukle batteriet. Det kan føre til brann, overoppheting eller eksplosjon.
  3. Hvis driftstiden er blitt vesentlig kortere, må du omgående slutte å bruke maskinen. Hvis ikke kan resultatet bli overoppheting, mulige forbrenninger eller til og med en eksplosjon.
  4. Hvis du får elektrolytt i øynene, må du skylle dem med store mengder rennende vann og oppsøke lege med én gang. Denne typen uhell kan føre til varig blindhet.
5. **Ikke kortslutt batteriet:**
    - (1) De kan være ekstremt varme og du kan brenne deg.
    - (2) Ikke lagre batteriet i samme beholder som andre metallgjenstander, som for eksempel spiker, mynter osv.
    - (3) Ikke la batteriet komme i kontakt med vann eller regn.

En kortslutning av batteriet kan føre til et kraftig strømstøt, overoppheting, mulige forbrenninger og til og med til at batteriet går i stykker.
  6. **Ikke oppbevar og bruk verktøyet og batteriet på steder hvor temperaturen kan komme opp i eller overskride 50 °C.**
  7. **Ikke sett fyr på batteriet, ikke engang om det er sterkt skadet eller helt utslitt. Batteriet kan eksplodere hvis det begynner å brenne.**
  8. **Du må ikke spikre, skjære, klemme, kaste eller miste batteriet, og heller ikke slå en hard gjenstand mot batteriet.** En slik oppførsel kan føre til brann, overoppheting eller eksplosjon.
  9. **Ikke bruk batterier som er skadet.**
  10. **Lithium-ion-batteriene som medfølger er gjenstand for krav om spesialavfall.**  
For kommersiell transport, f.eks av tredjeparter eller speditorer, må spesielle krav om pakking og merking følges.  
Før varen blir sendt, må du forhøre deg med en ekspert på farlig materiale. Ta også hensyn til muligheten for mer detaljerte nasjonale bestemmelser. Bruk teip eller maskeringsteip for å skjule åpne kontakter og pakk inn batteriet på en slik måte at den ikke kan bevege seg rundt i emballasjen.
  11. **Når du kasserer batteriinnsettsen, må du ta den ut av verktøyet og avhende den på et sikkert sted. Følg lokale bestemmelser for avhending av batterier.**
  12. **Bruk batteriene kun med produkter spesifisert av Makita.** Montere batteriene i produkter som ikke er konforme kan føre til brann, overheting eller elektrolyttlekkasje.
  13. **Hvis verktøyet ikke skal brukes over en lengre periode, må batteriet tas ut av verktøyet.**
  14. **Under og etter bruk kan batteriet bli varmt og før til brannskader. Vær forsiktig med håndteringen av varme batterier.**
  15. **Ikke berører terminalen på verktøyet rett etter bruk, da den kan bli varm og forårsake brannskader.**
  16. **Ikke la spon, støv eller jord sette seg fast i terminalene, hullene og sporene i batteriet.** Det kan føre til at batteriet eller verktøyet blir overopphett, begynner å brenne, sprekker eller ikke fungerer som det skal, og forårsake brannskader eller personskade.
  17. **Med mindre verktøyet støtter bruk nær en høyspent strømlinje, skal ikke batteriet brukes nær en høyspent strømlinje.** Det kan føre til en funksjonsfeil eller at verktøyet eller batteriet slutter å fungere.
  18. **Oppbevar batteriet utilgjengelig for barn.**

## TA VARE PÅ DISSE INSTRUKSENE.



**⚠FORSIKTIG:** Bruk kun originale Makita-batterier. Bruk av batterier som har endret seg, eller som ikke er originale Makita-batterier, kan føre til at batteriet sprekker og forårsaker brann, personskader og andre skader. Det vil også ugyldiggjøre garantien for Makita-verktøyet og -laderen.

## Tips for å opprettholde maksimal batterilevetid

1. Lad batteriinnstansen før den er helt utladet. Stopp alltid driften av verktøyet og lad batteriinnstansen når du merker at effekten reduseres.
2. Lad aldri en batteriinnstans som er fulladet. Overopplading forkorter batteriets levetid.
3. Lad batteriet i romtemperatur ved 10 °C - 40 °C. Et varmt batteri må kjøles ned før lading.
4. Når batteriet ikke er bruk, skal det tas ut av verktøyet eller laderen.
5. Lad batteriet hvis det ikke har vært brukt på en lang stund (over seks måneder).

## DELEBESKRIVELSE

► Fig.2

1	Batteriinnstans	2	Vern for håndtaket foran	3	Spak
4	Sverd	5	Sagkjede	6	Justeringshjul
7	Strømlampe	8	Strømbryter	9	Av-sperreknapp
10	Håndtak bak	11	Startbryter	12	Håndtak foran
13	Oljetanklokk	14	Sverddeksel	15	Justeringskrue (for oljepumpen)
16	Kjedefanger	-	-	-	-

## FUNKSJONSBEKRIVELSE

**⚠FORSIKTIG:** Forviss deg alltid om at maskinen er slått av og batteriet tatt ut før du justerer maskinen eller kontrollerer dens mekaniske funksjoner.

### Sette inn eller ta ut batteri

**⚠FORSIKTIG:** Slå alltid av verktøyet før du setter inn eller fjerner batteriet.

**⚠FORSIKTIG:** Hold verktøyet og batteripatronen i et fast grep når du monterer eller fjerner batteripatronen. Hvis du ikke holder verktøyet og batteripatronen godt fast, kan du miste grepet, og dette kan føre til skader på verktøyet og batteripatronen samt personskader.

► Fig.3: 1. Rød indikator 2. Knapp 3. Batteriinnstans

For å ta ut batteriet må du skyve på knappen foran på batteriet og trekke det ut.

Når du skal sette inn batteriet, må du plassere tungen på batteriet på linje med sporet i huset og skyve batteriet på plass. Skyv det helt inn til det går i inngrep med et lite klikk. Hvis du kan se den røde indikatoren som vist i figuren, er det ikke helt låst.

**⚠FORSIKTIG:** Batteriet må alltid settes helt inn, så langt at den røde indikatoren ikke lenger er synlig. Hvis dette ikke gjøres, kan batteriet falle ut av verktøyet og skade deg eller andre som oppholder seg i nærheten.

**⚠FORSIKTIG:** Ikke bruk makt når du setter i batteriet. Hvis batteriet ikke glir lett inn, er det fordi det ikke settes inn på riktig måte.

## Indikere gjenværende batterikapasitet

Trykk på sjekk-knappen på batteriet for vise gjenværende batterikapasitet. Indikatorlampene lyser i et par sekunder.

► Fig.4: 1. Indikatorlamper 2. Kontrollknapp

Indikatorlamper			Gjenværende batterinivå
Tent	Av	Blinker	
■	□	◐	75 % til 100 %
■	■	□	50 % til 75 %
■	■	□	25 % til 50 %
■	□	□	0 % til 25 %
◐	□	□	Lad batteriet.
■	■	□	Batteriet kan ha en feil.
□	□	■	

**MERK:** Det angitte nivået kan avvike noe fra den faktiske kapasiteten alt etter bruksforholdene og den omgivende temperaturen.

**MERK:** Den første (helt til venstre) indikatorlampen vil blinke når batterivernsystemet fungerer.

## Batterivernsystem for verktøy/ batteri

Verktøyet er utstyrt med et batterivernsystem for verktøy/batteri. Dette systemet kutter automatisk strømmen til motoren for å forlenge verktøyets og batteriets levetid. Verktøyet stopper automatisk under drift hvis verktøyet eller batteriet utsettes for en av følgende tilstander:

### Overlastsikring

Når batteriet brukes på en måte som gjør at det bruker unormalt mye strøm, vil verktøyet stoppe automatisk, og strømlampen blinker grønt. Hvis dette skjer, må du slå av verktøyet og avslutte bruken som forårsaket at verktøyet ble overbelastet. Slå deretter verktøyet på for å starte det igjen.

### Overopphetingsvern

Når verktøyet eller batteriet er overopphetet, stanser verktøyet automatisk, og strømlampen lyser rødt. I dette tilfellet lar du verktøyet og batteriet avkjøles før du starter verktøyet på nytt.

**MERK:** Overopphetingsvernet vil sannsynligvis fungere i omgivelser med høye temperaturer.

### Overutladingsvern

Når batterikapasiteten blir utilstrekkelig, stopper verktøyet automatisk og strømlampen blinker rødt. Da fjerner du batteriet fra verktøyet og lader det.

### Vern mot andre årsaker

Vernesystemet er også laget for beskyttelse mot andre ting som kan skade verktøyet og gjøre at det stanser automatisk. Gå gjennom alle de følgende forholdsreglene for å fjerne årsakene til at verktøyet har stanset midlertidig mens det er i drift.

1. Slå av verktøyet, og slå det deretter på igjen for å starte det på nytt.
2. Lad opp batteriene eller skift dem ut med oppladde batterier.
3. La både verktøyet og batteriene avkjøles.

Hvis det ikke blir noen forbedring ved at verne-systemet gjenopprettes, tar du kontakt med det lokale Makita-servicesenteret.

**OBS:** Hvis verktøyet stopper av en årsak som ikke er beskrevet over, kan du se avsnittet om feilsøking.

## Strømbryter

**⚠ ADVARSEL:** Pass på å slå av strømbryteren når den ikke er i bruk.

Slå på verktøyet ved å trykke på strømbryteren. Strømlampen tennes og lyser grønt. Trykk på strømbryteren igjen for å slå av.

► **Fig.5:** 1. Strømlampe 2. Strømbryter

**MERK:** Strømlampen blinker grønt hvis startbryteren du trekker i under forhold der verktøyet ikke kan brukes. Lampen blinker i en av de følgende tilstandene.

- Når du skruer på strømbryteren mens du holder nede AV-sperrehendelen og startbryteren.
- Når du trykker på startbryteren mens kjedebremsen er aktiv.
- Når du frigir kjedebremsen mens du holder nede AV-sperrehendelen og trekker i startbryteren.

**MERK:** Dette verktøyet bruker automatisk utkobling. For å unngå utilsiktet oppstart, vil hovedstrømbryteren slås av automatisk når du ikke trekker i startbryteren løpet av en viss tidsperiode etter at hovedstrømbryteren er slått på.

## Bryterfunksjon

**⚠ ADVARSEL:** Av hensyn til din sikkerhet er denne maskinen utstyrt med en AV-sperrehendel som forhindrer utilsiktet start av maskinen. Maskinen må **ALDRI** brukes hvis den starter når du trykker på startbryteren uten at du også må trykke på AV-sperrehendelen. Returner maskinen til et autorisert servicesenter for å få den reparert **FØR** videre bruk.

**⚠ ADVARSEL:** AV-sperrehendelen må **ALDRI** holdes inne med tape, og den må **ALDRI** settes ut av funksjon.

**⚠ FORSIKTIG:** Før du setter batteriet inn i maskinen, må du alltid kontrollere at startbryteren aktiverer maskinen på riktig måte og går tilbake til «AV»-stilling når den slippes.

**OBS:** Ikke trykk hardt på utløseren uten å trykke på AV-sperrehendelen. Dette kan få bryteren til å brekke.

For å hindre at startbryteren betjenes ved et uhell, er verktøyet utstyrt med en AV-sperrehendel. Trykk inn AV-sperrehendelen og trekk i startbryteren for å starte verktøyet. Verktøyets hastighet øker når du trykker hardere på startbryteren. Slipp startbryteren for å stanse verktøyet.  
► **Fig.6:** 1. Startbryter 2. Av-sperreknapp

## Kontroll av kjedebremsen

**⚠ FORSIKTIG:** Hold kjedesagen med begge hender når du slår den på. Hold det bakre håndtaket med høyre hånd, og det fremre håndtaket med venstre hånd. Sverd og kjede må ikke berøre noen gjenstander.

**⚠ FORSIKTIG:** Hvis sagkjedet ikke stopper umiddelbart når denne testen utføres, må ikke saken brukes. Kontakt et autorisert servicesenter.

1. Trykk på låsespaken og trekk i startbryteren. Sagkjedet starter umiddelbart.
  2. Skyv det fremre håndvernet fremover med håndbaken. Pass på at motorsagen straks stopper fullstendig.
- **Fig.7:** 1. Vern for håndtaket foran 2. Ulåst posisjon 3. Låst stilling

## Kontroll av utkoblingsbremsen

**⚠️FORSIKTIG:** Hvis motorsagen ikke stopper i løpet av ett sekund i denne testen, avslutt bruken av motorsagen og ta kontakt med et autorisert servicesenter.

Kjør motorsagen, og så slipper du startbryteren helt. Sagkjedet må stoppe i løpet av ett sekund.

## Justere kjedesmøringen

Du kan justere tilførselshastigheten for oljepumpen med justeringsskruen. Oljemengden kan justeres med universalnøkkelen.

► **Fig.8:** 1. Justeringsskrue

## MONTERING

**⚠️FORSIKTIG:** Forviss deg alltid om at maskinen er slått av og batteriet tatt ut før du utfører noe arbeid på maskinen.

**⚠️FORSIKTIG:** Ikke ta på sagkjedet med bare hender. Bruk alltid hansker når du håndterer sagkjedet.

## Montere eller fjerne sagkjedet

**⚠️FORSIKTIG:** Sagkjedet og sverdet er fortsatt varme etter bruk. La de avkjøles tilstrekkelig før du utfører arbeid på verktøyet.

**⚠️FORSIKTIG:** Utfør prosedyren for montering eller avmontering av sagkjedet på et rent sted uten sagmugg o.l.

## Montere sagkjedet

Bruk følgende trinn for å montere sagkjedet:

1. Frigi kjedebremsen ved å trekke i det fremre håndtaket.
2. Trekk håndtaket opp mens du trykker på kanten.  
► **Fig.9:** 1. Spak
3. Drei spaken mot klokken for å løsne kjedehjulbeskyttelsen til den kan tas av.  
► **Fig.10:** 1. Spak 2. Kjedehjuldeksel
4. Ta av kjedehjuldekslet.
5. Kontroller retningen til sagkjedet. Rett inn retningen av sagkjedet med merket på huset til sagkjedet.  
► **Fig.11:** 1. Merke på hoveddelen til motorsagen
6. Fest den ene enden av sagkjedet på toppen av sverdet.
7. Fest den andre enden av sagkjedet rundt kjedehjulet, og fest føringsstangen til motorsaghuset.  
► **Fig.12:** 1. Kjedehjul
8. Vri innstillingshjulet til posisjon "-" ved å skyve justeringstappen i pilens retning.  
► **Fig.13:** 1. Justeringshjul 2. Justeringsnagle

9. Sett kjedehjulbeskyttelsen på motorsagen slik at justeringsstiften befinner seg i det lille hullet i sverdet.

► **Fig.14:** 1. Kjedehjuldeksel 2. Sverd 3. Hull

10. Drei spaken en hel omdreining med klokken og deretter litt tilbake for å justere strammingen.

11. Juster kjedestrømningen. Se fremgangsmåten i avsnittet om stramming av sagkjede.

12. Drei spaken med klokken til kjedehjulbeskyttelsen er sikret, og så setter du den tilbake til opprinnelig stilling.

► **Fig.15:** 1. Spak 2. Kjedehjuldeksel

## Fjerne sagkjedet

Bruk følgende trinn for å ta av sagkjedet:

1. Frigi kjedebremsen ved å trekke i det fremre håndtaket.
2. Drei innstillingshjulet til retningen "-" for å løsne sagkjedets stramming.  
► **Fig.16:** 1. Justeringshjul
3. Trekk håndtaket opp mens du trykker på kanten.  
► **Fig.17:** 1. Spak
4. Drei spaken mot klokken for å løsne kjedehjulbeskyttelsen til den kan tas av.  
► **Fig.18:** 1. Spak 2. Kjedehjuldeksel
5. Ta av kjedehjuldekslet og så sagkjedet og kjedehjulet fra saken.

## Justere strammingen av sagkjedet

**⚠️FORSIKTIG:** Utfør prosedyren for montering eller avmontering av sagkjedet på et rent sted uten sagmugg o.l.

**⚠️FORSIKTIG:** Unngå at sagkjedet strammes for hardt. Allfor kraftig stramming av sagkjedet kan forårsake brudd på sagkjedet, slitasje på sverdet og brudd på innstillingshjulet.

**⚠️FORSIKTIG:** Et kjede som er for løst kan hoppe av sverdet, og utgjør derfor en ulykke med personskade.

Sagkjedet kan bli løsere etter mange timers bruk. Fra tid til annen må du kontrollere strammingen av sagkjedet før bruk.

1. Trekk håndtaket opp mens du trykker på kanten.  
► **Fig.19:** 1. Spak
  2. Drei spaken litt mot klokken for å løsne kjedehjuldekslet litt.  
► **Fig.20:** 1. Spak 2. Kjedehjuldeksel
  3. Løft enden på sverdet litt oppover, og juster kjedestrømningen. Drei justeringshjulet i retning "-" for å slakke, drei det i retning "+" for å stramme. Stram til sagkjedet inntil den nedre delen av sagkjedet passer inn i sporet på sverdet, som illustrert.  
► **Fig.21:** 1. Justeringshjul 2. Sverd 3. Sagkjede
  4. Hold lett i sverdet, og stram kjedehjuldekslet. Pass på at sagkjedet ikke løsner på nedsiden.
  5. Sett håndtaket tilbake til utgangsposisjon.
- Kontroller at sagkjedet ligger tett inntil den nedre siden av sverdet.

# BRUK

## Smøring

**⚠FORSIKTIG:** Ikke bruk motorsagen når tanken er tom. Etterfyll olje i god tid før tanken går tom.

**⚠FORSIKTIG:** Unngå hudkontakt med oljen, og unngå å få den i øynene. Olje i øynene kan forårsake irritasjon. Hvis du får olje i øynene, må du omgående skylle med vann og oppsøke lege så snart som mulig.

**⚠FORSIKTIG:** Bruk aldri spillolje. Spillolje inneholder kreftfremkallende substanser. De forurensende stoffene i spillolje gir enda raskere slitasje av oljepumpen, foringsstangen og kjedet. Spillolje er skadelig for miljøet.

**OBS:** Når motorsagen brukes for første gang, kan det ta opptil to minutter før sagkjedeoljen begynner å smøre sagemekanismen. Kjør saken uten belastning inntil smøringen begynner.

**OBS:** Når du fyller kjedeolje for første gang, eller når du fyller tanken etter at den har vært kjørt helt tom, må du fylle på olje til nederst på påfyllingsstussen. Ellers kan oljetilførselen bli for dårlig.

**OBS:** Bruk kjedeolje som er spesiallaget for motorsager fra Makita, eller tilsvarende olje som er tilgjengelig på markedet.

**OBS:** Du må aldri bruke olje som inneholder støv og partikler eller flyktig olje.

**OBS:** Bruk botanisk olje ved beskæring av trær. Mineralolje kan skade trærne.

**OBS:** Før du sager må du passe på at det medfølgende oljetankklokke er skrudd godt på.

Sagkjedet smøres automatisk når maskinen er i bruk. Kontroller jevnlig hvor mye olje som er igjen i tanken ved å se i oljeseglasset.

► **Fig.22:** 1. Oljetankklokke 2. Oljeseglass

Utfør følgende trinn for å etterfylle olje:

1. Rengjør grundig området rundt oljetankklokke for å hindre at det kommer smuss inn i oljetanken.

2. Legg motorsagen på siden.

3. Trykk på knappen på oljetankklokke slik at knappen på den andre siden stikker ut, og ta av oljetankklokke ved å dreie det.

► **Fig.23:** 1. Oljetankklokke 2. Stramme 3. Løsne

4. Fyll oljetanken med olje. Riktig oljemengde er 260 ml.

5. Skru oljetankklokke ordentlig på igjen.

6. Tørk forsiktig av eventuelt oljesøl.

**MERK:** Hvis det er vanskelig å ta av oljetankklokke, setter du stjernene inn i sporet i oljetankklokke, og deretter tar du av oljetankklokke ved å dreie det mot klokken.

► **Fig.24:** 1. Spor 2. Stjernenøkkel

Hold motorsagen slik at den vender bort fra treet etter påfylling. Start den og vent til smøringen av sagkjedet er passe.

► **Fig.25**

## Arbeide med motorsagen

**⚠FORSIKTIG:** Brukeren bør ved første gangs bruk trene på å skjære stokker på en sagbukk eller lignende.

**⚠FORSIKTIG:** Når du sager tømmer som er kappet på forhånd, må du bruke en sikker støtte (sagbukk eller understell). Ikke hold arbeidsstykket med foten, og la ikke andre holde arbeidsstykket.

**⚠FORSIKTIG:** Sikre at rundt treverk ikke roterer.

**⚠FORSIKTIG:** Hold alle kroppsdeler vekk fra sagkjedet når motoren går.

**⚠FORSIKTIG:** Hold kjedesagen fast med begge hender når motoren går.

**⚠FORSIKTIG:** Ikke strekk deg for langt. Pass alltid på at du holder balansen og har godt fotfeste.

**OBS:** Du må aldri kaste, eller slippe ned verktøyet.

**OBS:** Ikke tildekk ventilene på verktøyet.

Sett den nedre kanten av motorsagen i kontakt med greinen som skal sages før du skrur på saken. Ellers kan det forårsake at sverdet krenger, noe som kan føre til skade på operatøren. Sag treverket som skal kuttes, ved hjelp av vekten til saken når du beveger den nedover.

► **Fig.26**

Hvis du ikke kan sage rett igjennom tømmeret med et enkelt slag: Trykk lett på håndtaket, fortsett med sagingen og dra kjedesagen litt tilbake. Sett brodden litt lavere og avslutt snittet ved å heve håndtaket.

► **Fig.27**

## Sage opp en stokk i kubber

1. Sett den nedre kanten av motorsagen i kontakt med treet som skal sages.

► **Fig.28**

2. Med sagkjedet fremdeles i gang, sager du inn i treet, idet du bruker det bakre håndtaket til å løfte saken og det fremre til å styre den. Bruk demperen som omdreingspunkt.

3. Fortsett snittet ved å legge lett trykk på det fremre håndtaket mens du trekker saken noe tilbake. Beveg demperen lenger ned langs stokken og hev det fremre håndtaket igjen.

**OBS:** Når du lager flere snitt, må du slå av saken mellom snittene.

**⚠FORSIKTIG:** Hvis den øvre kanten av sverdet brukes til saging, kan saken kastes mot deg hvis kjedet setter seg fast. Derfor må du sage med den nedre kanten, slik at saken eventuelt kastes bort fra deg.

► **Fig.29**

Når du sager tre som er i spenn, må du sage på trykksiden (A) først. Så utføres det siste snittet på strekksiden (B). På denne måten unngår du at sverdet setter seg fast.

► Fig.30

## Kvisting

**⚠FORSIKTIG: Kvisting må kun utføres av brukere som har fått opplæring i dette.**Risikoen for tilbakeslag er et faremoment.

Når du kvister, må du støtte sagen mot stammen hvis det er mulig. Ikke sag med spissen av sverdet, da dette medfører fare for tilbakeslag.

Vær spesielt oppmerksom på grener som står i spenn. Ikke sag greiner uten støtte innenfra.

Ikke stå på den felte stammen når du kvister.

## Uthuling og snitt som følger fiberretningen

**⚠FORSIKTIG: Uthuling og snitt som følger fiberretningen må bare utføres av personer som har fått spesialopplæring.**Muligheten for tilbakeslag utgjør en skaderisiko.

Snitt som følger fiberretningen må utføres i en så stump vinkel som mulig. Vær ekstra forsiktig når du utfører kuttet, da demperen ikke kan brukes.

► Fig.31

## Trefelling

**⚠FORSIKTIG: Trefelling må kun utføres av personer som har fått opplæring i dette.**Arbeidet er farlig.

Følg lokale bestemmelser hvis du ønsker å felle et tre.

► Fig.32: 1. Felleområde

- Før du begynner med trefelling, må du forvisse deg om at:
  - Ingen andre personer enn de som deltar i trefellingen befinner seg i nærheten
  - Alle som deltar i trefellingen har uhindret tilgang til en vei ut av området innenfor en vinkel på ca. 45° på hver side av fellingsaksen. Ta hensyn til det ekstra faremomentet som består i at man kan snuble i elektriske ledninger
  - Foten av stammen er fri for fremmedlegemer, røtter og grener
  - Ingen personer eller gjenstander befinner seg nærmere enn 2 1/2 trelengde i den retningen treet vil falle.
- Ta hensyn til følgende når det gjelder hvert enkelt tre:
  - Hvilken vei det lener seg
  - Løse eller tørre grener
  - Treets høyde
  - Naturlig overheng
  - Hvorvidt treet er råttent eller ikke.
- Ta hensyn til vindhastigheten og vindretningen. Ikke fell trær i sterk vind.

- Trimme røtter: Begynn med de største røttene. Foreta det vertikale kuttet først, og deretter det horisontale.
- Stå til siden for det fallende treet. La det være et åpent område bak det fallende treet i en vinkel på opptil 45° på hver side av treets akse (se figuren over "felleområdet"). Vær oppmerksom på fallende grener.
- Før sagingen begynner bør en fluktrute planlegges og, ved behov, ryddes. Fluktruten bør gå bak operatøren og diagonalt på motsatt side av forventet falllinje, som vist på figuren.

► Fig.33: 1. Fellerretning 2. Faresone 3. Rønningsvei

Når du feller trær, må du følge disse prosedyrene:

1. Lag et styreskjær så nær bakken som mulig. Lag først et horisontalt snitt til en dybde på 1/5 -1/3 av stammediameteren. Ikke lag styreskjæret for stort. Utfør så det diagonale snittet.

► Fig.34

**MERK:** Styreskjæret avgjør hvilken retning treet vil falle, og styrer det. Det gjøres på den siden treet skal falle mot.

2. Lag hovedskjæret litt høyere enn bunnsnittet av styreskjæret. Hovedskjæret må sages helt vannrett. La ca. 1/10 av stammediameteren være igjen mellom hovedskjæret og styreskjæret. Trefibrene i den ukappede stammedelen fungerer som hengsel. Sett inn kiler i hovedskjæret i tide.

► Fig.35

**⚠ADVARSEL:** Du må under ingen omstendigheter kutte rett gjennom fibrene.Da vil treet i så fall falle ukontrollert.

**OBS:** Bruk kun plast- eller aluminiumkiler til å holde hovedskjæret åpent. Det er forbudt å bruke jernkiler.

## Bærbart verktøy

Før du bærer verktøyet må du alltid slå på kjedebremsen og ta ut batteriet av verktøyet. Deretter fester du sverddekslet. Dekk også batteriet med batteridekselet.

► Fig.36: 1. Sverddeksel 2. Batterideksel

## VEDLIKEHOLD

**⚠FORSIKTIG:** Forviss deg alltid om at maskinen er slått av og batteriet tatt ut før du foretar inspeksjon eller vedlikehold.

**⚠FORSIKTIG:** Bruk alltid hansker når du utfører inspeksjon eller vedlikehold.

**OBS:** Aldri bruk gasolin, bensin, tynner alkohol eller lignende. Det kan føre til misfarging, deformering eller sprekke dannelse.

For å opprettholde produktets SIKKERHET og PÅLITELIGHET, må reparasjoner, vedlikehold og justeringer utføres av autoriserte Makita servicesentre eller fabrikk servicesentre, og det må alltid brukes reservedeler fra Makita.

## Slipe sagkjedet

### Slip sagkjedet når:

- Det dannes melaktig sagflis når du sager i vått tre
- Kjedet har problemer med å trenge gjennom treet, selv når du legger kraftig press på sagen
- Snittkanten er synlig skadet
- Årsaken til denne oppførselen er ujevn sliping av sagkjedet, eller at den ene siden av det er skadet (forårsaket av ujevn sliping av sagkjedet eller bare skade på den ene siden).

Slip sagkjedet hyppig, men bare litt hver gang. To eller tre strøk med en fil er vanligvis nok ved rutinemessig sliping. Når sagkjedet er blitt slipt om igjen flere ganger, bør du få det slipt hos et av våre godkjente servicesentre.

### Slipekriterier:

**⚠ ADVARSEL:** For stor avstand mellom snittkanten og dybdemåleren øker risikoen for tilbakeslag.

► **Fig.37:** 1. Tannlengde 2. Avstand mellom snittkanten og dybdemåler 3. Minimum skjærelengde (3 mm)

- Alle tannlengder må være like. Tenner av ulik lengde hindrer at kjedet løper jevnt, og kan forårsake brudd på kjedet.
  - Ikke slip kjedet når tannlengden har nådd 3 mm eller kortere. Kjedet må skiftes ut med et nytt.
  - Spontykkelsen bestemmes av avstanden mellom rytterne (rund nese) og snittkanten.
  - De beste sagerresultatene oppnås med følgende avstand mellom snittkanten og rytterne.
    - Sagblad 91PX : 0,65 mm
    - Sagblad 80TXL : 0,65 mm
- **Fig.38**
- Slipevinkelen på 30° må være lik på alle tennene. Ulikheter i vinkelen kan få kjedet til å gå brått og ujevnt, føre til raskere slitasje og kjedebrudd.
  - Bruk en egnet rundfil slik at riktig slipevinkel beholdes mot tennene.
    - Sagblad 91PX : 55°
    - Sagblad 80TXL : 55°

### Fil og filføring

- Bruk en spesiell rundfil (valgfritt tilbehør) for sagkjedet hvis du ønsker å slipe det. Vanlige runde filer kan ikke brukes.
  - Diameter for den runde filen for hvert sagkjede er som følger:
    - Sagblad 91PX : 4,0 mm
    - Sagblad 80TXL : 4,0 mm
  - Filen må bare berøre tannen på vei forover. Løft filen av tannen på vei tilbake.
  - Slip den korteste tannen først. Den korteste tannens lengde blir standarden for alle tennene på sagkjedet.
  - Før filen som vist på figuren.
- **Fig.39:** 1. Fil 2. Sagkjede

- Filen kan føres enklere ved hjelp av en filholder (ekstraustyr). Filholderen har merker for korrekt slipevinkel på 30° (legg merkene parallelt med sagkjedet) og begrenser inntrengningsdybden (til 4/5 av filediameteren).

► **Fig.40:** 1. Filholder

- Når kjedet er slipt, må du kontrollere høyden på rytterne ved hjelp av kjedemalen (ekstraustyr).

► **Fig.41**

- Fjern eventuelt fremstikkende materiale, uansett hvor lite det dreier seg om, med en flat spesialfil (ekstraustyr).
- Rytterne rundes av igjen i forkant.

## Rengjør sverdet

Spon og sagflis vil samle seg i sverdsporet. De kan tette sporet og forhindre oljetilførselen. Fjern alltid spon og sagflis når du sliper eller skifter ut sagkjedet.

► **Fig.42**

## Rengjøring av kjedehjulbeskyttelsen

Spon og sagflis vil samle seg opp på innsiden av dekslet. Ta kjedehjuldekslet og sagkjedet av saken, og fjern spon og sagflis.

► **Fig.43**

## Rengjøre oljeutstrømningshullet

Små partikler eller støv kan samle seg i oljeutstrømningshullet under bruk. Støvet eller partiklene kan skade oljetilførselen og forårsake utilstrekkelig smøring av hele sagkjedet. Når det kommer lite kjedeolje øverst på sverdet, må oljetømningshullet rengjøres på følgende måte.

1. Ta kjedehjuldekslet og sagkjedet av saken.
  2. Fjern støv eller partikler ved hjelp av en sporskruetrekker eller lignende.
- **Fig.44:** 1. Sporskruetrekker 2. Oljetømminghull
3. Sett inn batteriet i maskinen. Trykk på startbryteren for å la støv og partikler renne av oljetappehullet når du tømmer ut kjedeolje.
  4. Ta ut batteriinnsetningen fra verktøyet. Sett på kjedehjuldekslet og sagkjedet igjen.

## Skifte kjedehjulet

**⚠ FORSIKTIG:** Et utslitt kjedehjul vil skade sagkjedet. Skift i så fall ut kjedehjulet.

Før du monterer et nytt sagkjede, må du sjekke tilstanden til kjedehjulet.

► **Fig.45:** 1. Kjedehjul 2. Områder som slites ut

Monter alltid en ny låsering når du skifter kjedehjulet.

► **Fig.46:** 1. Låsering 2. Kjedehjul

**OBS:** Pass på at kjedehjulet er montert som vist i figuren.

## Oppbevar verktøyet

1. Rengjør saken før du legger den vekk. Fjern eventuelt flis og sagmugg fra maskinen etter at du har fjernet kjedehjulbeskyttelsen.
2. Etter at du har rengjort maskinen, må du la den gå uten belastning, for å smøre sagkjedet og sverdet.
3. Dekk til sverdet med sverddekslet.
4. Tøm oljetanken.

## Instruksjoner for periodisk vedlikehold

Følgende vedlikehold oppgaver må utføres jevnlig for å oppnå lang levetid, unngå skade og sikre full funksjon av sikkerhetsfunksjonene. Garantien gjelder kun hvis slikt arbeid utføres regelmessig og ordentlig. Hvis det ikke utføres beskrevet vedlikehold kan det føre til ulykker! Brukeren av kjedesagen må ikke utføre vedlikehold som ikke er beskrevet i brukerveiledningen. Alt slikt arbeid må utføres i et autorisert servicesenter.

Kontroller punkt/driftstid		Før bruk	Hver dag	Hver uke	Hver 3. måned	Årlig	Før lagring
Motorsag	Kontroll.	✓	-	-	-	-	-
	Rengjøring.	-	✓	-	-	-	-
	Rådfør deg med et godkjent servicesenter.	-	-	-	-	✓	✓
Sagkjede	Kontroll.	✓	-	-	-	-	-
	Slip ved behov.	-	-	-	-	-	✓
Sverd	Kontroll.	✓	✓	-	-	-	-
	Ta av fra kjedesagen.	-	-	-	-	-	✓
Kjedebremse	Kontroller funksjonen.	✓	-	-	-	-	-
	Få den kontrollert jevnlig ved et autorisert servicesenter.	-	-	-	✓	-	-
Smøring av kjedet	Kontroller hastigheten på oljetilførselen.	✓	-	-	-	-	-
Startbryter	Kontroll.	✓	-	-	-	-	-
Av-spærreknapp	Kontroll.	✓	-	-	-	-	-
Oljetanklokk	Kontroller stramming.	✓	-	-	-	-	-
Kjedefanger	Kontroll.	-	-	✓	-	-	-
Skuer og muttere	Kontroll.	-	-	✓	-	-	-

# FEILSØKING

Inspiser utstyret selv før du bestiller reparasjon. Ikke prøv å demontere verktøyet hvis du finner et problem som ikke er forklart i brukerveiledningen. I stedet bør du ta kontakt med et av Makitas autoriserte servicesentre, som alltid bruker reservedeler fra Makita til reparasjoner.

Feilstatus	Årsak	Handling
Motorsagen starter ikke.	Batteriet er ikke satt inn.	Sett inn det ladede batteriet.
	Batteriproblem (lav spenning).	Lad opp batteriet. Hvis batteriet ikke lader, må du skifte ut batteriet.
	Strømbryteren er av.	Motorsagen skrur av automatisk hvis den ikke er i bruk i en periode. Skru på strømbryteren igjen.
Sagkjedet går ikke.	Kjedebremsen er aktivert.	Frigi kjedebremsen.
Motoren stanser etter kort tids bruk.	Batteriets ladenivå er lavt.	Lad opp batteriet. Hvis batteriet ikke lader, må du skifte ut batteriet.
Ikke noe olje på kjedet.	Oljetanken er tom.	Fyll oljetanken.
	Oljesporet er skittent.	Rengjør sporet.
	Dårlig oljeforsyning.	Juster oljetilførselen ved hjelp av justeringsskruen.
Motorsagen når ikke maksimal OPM.	Batteriet er riktig satt inn.	Sett inn batteriet som beskrevet i denne håndboken.
	Batterieffekten minsker.	Lad batteriet. Hvis ladingen ikke virker, skal batterikassetten skiftes ut.
	Drivsystemet virker ikke slik det skal.	Spør det autoriserte servicesenteret i området om reparasjon.
Strømlampen blinker grønt.	Bryterutløseren trekkes ved forhold der verktøyet ikke kan brukes.	Trykk på bryterutløseren etter at strømbryteren er skrudd på og kjedebremsen er frigitt.
Kjedet stopper ikke selv når kjedebremsen er aktivert: <b>Stans verktøyet umiddelbart!</b>	Bremsebåndet er utslitt.	Spør det autoriserte servicesenteret i området om reparasjon.
Unormale vibrasjoner: <b>Stans verktøyet umiddelbart!</b>	Løst sagkjede eller sverd.	Juster sverdet og spennet til sagkjedet.
	Verktøyet virker ikke.	Spør det autoriserte servicesenteret i området om reparasjon.
Sagkjedet kan ikke settes på.	Kombinasjonen av sagkjede og kjedehjul er ikke riktig.	Bruk riktig kombinasjon av sagkjede og kjedehjul ved å se i delen som inneholder spesifikasjoner.

## VALGFRITT TILBEHØR

**⚠️ FORSIKTIG:** Det anbefales at du bruker dette tilbehøret eller verktøyet sammen med den Makita-maskinen som er spesifisert i denne håndboken. Bruk av annet tilbehør eller verktøy kan forårsake personskader. Tilbehør og verktøy må kun brukes til det formålet det er beregnet på.

Ta kontakt med ditt lokale Makita-servicesenter hvis du trenger mer informasjon om dette tilbehøret.

- Sagkjede
- Sverd
- Sverddeksel
- Fil
- Verktøypose
- Makita originalbatteri og lader

**⚠️ ADVARSEL:** Hvis du kjøper et sverd med en annen lengde enn standardsverdet, må du også kjøpe et egnet deksel for det. Det må passe og helt ut dekke sverdet på kjedesagen.

**MERK:** Enkelte elementer i listen kan være inkludert som standardtilbehør i verktøypakken. Elementene kan variere fra land til land.



## TEKNISET TIEDOT

Malli:	UC014G	UC015G	UC016G	UC017G
Kokonaispituus (ilman terälevyä)	445 mm			
Nimellisjännite	DC 36 V – 40 V maks.			
Nettopaino	*1 4,5 kg			
	*2 6,2 - 6,9 kg			
Vakioterälevyn pituus	300 mm	350 mm	400 mm	450 mm
Suosittelun terälevyn pituus	300 - 450 mm			
Käytettävän teräketjun tyyppi (katso lisätietoja allaolevasta taulukosta)	91PX 80TXL			
Hammaspyörä (91PX)	Hamasmäärä	6		
	Nousu	3/8"		
Hammaspyörä (80TXL)	Hamasmäärä	7		
	Nousu	0,325"		
Ketjun nopeus	0 - 25,5 m/s (0 - 1 530 m/min)			
Ketjuöljysäiliön tilavuus	260 cm <sup>3</sup>			
Suojausluokka	IPX4			

• Jatkuvasta tutkimus- ja kehitystyöstämme johtuen esitetyt tekniset tiedot saattavat muuttua ilman erillistä ilmoitusta.

• Tekniset tiedot voivat vaihdella maittain.

\*1: Paino ilman teräketjua, terälevyä, terälevyn suojaa, öljyä ja akkupaketteja.

\*2: Kevyin ja painavin yhdistelmä EPTA-meneteltävän 01/2014 mukaisesti. Paino voi olla erilainen lisävarusteista sekä akkupaketeista johtuen.

### Teräketjun, terälevyn ja hammaspyörän yhdistelmä

Teräketjun tyyppi		91PX			
Käyttölinkkien määrä		46	52	56	62
Terälevy	Terälevyn pituus	300 mm	350 mm	400 mm	450 mm
	Leikkauspituus	268 mm	324 mm	361 mm	418 mm
	Nousu	3/8"			
	Asteikko	1,3 mm			
	Tyyppi	Terälevyn kärkihammaspyörä			
Hammaspyörä	Hamasmäärä	6			
	Nousu	3/8"			

Teräketjun tyyppi		80TXL			
Käyttölinkkien määrä		51	59	64	70
Terälevy	Terälevyn pituus	300 mm	350 mm	400 mm	450 mm
	Leikkauspituus	259 mm	325 mm	366 mm	416 mm
	Nousu	0,325"			
	Asteikko	1,1 mm			
	Tyyppi	Terälevyn kärkihammaspyörä			
Hammaspyörä	Hamasmäärä	7			
	Nousu	0,325"			

**VAROITUS:** Sopiva terälevyn ja teräketjun yhdistelmä. Muussa tapauksessa voi seurauksena olla henkilövahinkoja.

# Käytettävä akkupaketti ja laturi

Akkupaketti	BL4040 / BL4050F* *: Suositeltu akku
Laturi	DC40RA / DC40RB / DC40RC

- Tiettyjä yläpuolella kuvattuja akkuja ja latureita ei ehkä ole saatavana asuinalueestasi johtuen.

**VAROITUS:** Käytä vain edellä eriteltyjä akkupaketteja ja latureita. Muiden akkupaketin ja laturien käyttäminen voi aiheuttaa loukkaantumisen ja/tai tulipalon.

## Suosittelu johdollinen virtalähde

Kannettava tehoyksikkö	PDC01
------------------------	-------

- Edellä luetellut johdolliset virtalähteet eivät ehkä ole saatavana asuinalueellasi.
- Lue johdollisen virtalähteen käyttöohjeet ja tutustu siinä oleviin varoitusmerkintöihin ennen sen käyttämistä.

## Symbolit

Laitteessa on mahdollisesti käytetty seuraavia symboleja. Opettele niiden merkitys ennen käyttöä.



Lue käyttöohje.



Käytä suojalaseja.



Käytä kuulosuojaimia.



Käytä kypärää, suojalaseja ja kuulosuojaimia.



Sallittu maksimieikkauspituus



Ketjusahaa on käytettävä aina kahdella kädellä.



Varo ketjusahan takapotkuja ja vältä koskettamasta terälevyn kärkeä.



Ketjun liikesuunta



Sahan ketjuöljyn säätö



Koskee vain EU-maita  
Käytetyillä sähkö- ja elektroniikkalaitteilla, paristoilla ja akuilla voi olla negatiivisia ympäristö- ja terveysvaikutuksia niissä käytettyjen haitallisten osien takia. Älä hävitä sähkö- ja elektroniikkalaitteita tai akkuja kotitalousjätteen mukana! Vanhoja sähkö- ja elektroniikkalaitteita, paristoja ja akkuja koskevan EU-direktiivin ja sen perusteella laadittujen kansallisten lakien mukaan käytetyt sähkö- ja elektroniikkalaitteet, paristot ja akut on kierrätettävä toimittamalla ne erilliseen, ympäristönsuojelusäädösten mukaisesti toimivaan kierrätyspisteeseen. Tämä on ilmaistu laitteessa olevalla ylivedetyn roska-astian symbolilla.



EU:n ulkona käytettävien laitteiden melupäästöjä koskevan direktiivin mukainen taattu äänitehotaso.



Australian Uuden Etelä-Walesin osavaltion melutasolainsäädännön mukainen äänitehotaso

## Käyttötarkoitus

Ketjusaha on tarkoitettu vain puun sahaukseen.

## Melutaso

Tyypillinen A-painotettu melutaso määräytyy standardin EN62841-4-1 mukaan:

### Malli UC104G

Äänenpainetaso ( $L_{pA}$ ): 91 dB (A)  
Äänen voiman taso ( $L_{WA}$ ): 102 dB (A)  
Virhemarginaali (K): 3 dB (A)

### Malli UC105G

Äänenpainetaso ( $L_{pA}$ ): 91 dB (A)  
Äänen voiman taso ( $L_{WA}$ ): 102 dB (A)  
Virhemarginaali (K): 3 dB (A)

### Malli UC106G

Äänenpainetaso ( $L_{pA}$ ): 91 dB (A)  
Äänen voiman taso ( $L_{WA}$ ): 102 dB (A)  
Virhemarginaali (K): 3 dB (A)

### Malli UC107G

Äänenpainetaso ( $L_{pA}$ ): 91 dB (A)  
Äänen voiman taso ( $L_{WA}$ ): 102 dB (A)  
Virhemarginaali (K): 3 dB (A)

**HUOMAA:** Ilmoitetut melutasoarvot on mitattu standarditestausten mukaisesti ja niiden avulla voidaan vertailla työkaluja keskenään.

**HUOMAA:** Ilmoitettuja melutasoarvoja voidaan käyttää myös altistumisen alustavaan arviointiin.

**VAROITUS:** Käytä kuulosuojaimia.

**VAROITUS:** Sähkötyökalun käytön aikana mitattu melutasoarvo voi poiketa ilmoitetuista arvoista laitteen käyttötavan ja erityisesti käsiteltävän työkalun mukaan.

**VAROITUS:** Selvitä käyttäjän suojaamiseksi tarvittavat varoimet todellisissa käyttöolosuhteissa tapahtuvan arvioidun altistumisen mukaisesti (ottaen huomioon käyttöjako kokonaisudessaan, myös jaksot, joiden aikana laite on sammutettuna tai käy tyhjäkäynnillä).

## Tärinä

Kokonaistärinä (kolmen akselin vektorien summa) määräytyy standardin EN62841-4-1 mukaan:

### Malli UC014G

Työtila: puun leikkaaminen  
Tärinäpäästö ( $a_{h,w}$ ): 5,0 m/s<sup>2</sup>  
Virhemarginaali (K): 1,5 m/s<sup>2</sup>

### Malli UC015G

Työtila: puun leikkaaminen  
Tärinäpäästö ( $a_{h,w}$ ): 5,0 m/s<sup>2</sup>  
Virhemarginaali (K): 1,5 m/s<sup>2</sup>

### Malli UC016G

Työtila: puun leikkaaminen  
Tärinäpäästö ( $a_{h,w}$ ): 5,0 m/s<sup>2</sup>  
Virhemarginaali (K): 1,5 m/s<sup>2</sup>

### Malli UC017G

Työtila: puun leikkaaminen  
Tärinäpäästö ( $a_{h,w}$ ): 5,0 m/s<sup>2</sup>  
Virhemarginaali (K): 1,5 m/s<sup>2</sup>

**HUOMAA:** Ilmoitetut kokonaistärinäarvot on mitattu standarditestausmenetelmän mukaisesti ja niiden avulla voidaan vertailla työkaluja keskenään.

**HUOMAA:** Ilmoitettuja kokonaistärinäarvoja voidaan käyttää myös altistumisen alustavaan arviointiin.

**VAROITUS:** Sähkötyökalun käytön aikana mitattu todellinen tärinäpäästöarvo voi poiketa ilmoitetuista arvoista laitteen käyttötavan ja erityisesti käsiteltävän työkappaleen mukaan.

**VAROITUS:** Selvitä käyttäjän suojaamiseksi tarvittavat varoimet todellisissa käyttöolosuhteissa tapahtuvan arvioidun altistumisen mukaisesti (ottaen huomioon käyttäjäksi kokonaisuudessaan, myös jaksot, joiden aikana laite on sammutettuna tai käy tyhjäkäynnillä).

## EY-vaatimustenmukaisuusvakuutus

### Koskee vain Euroopan maita

EY-vaatimustenmukaisuusvakuutus on liitetty tähän käyttöoppaaseen.

## TURVAVAROITUKSET

### Sähkötyökalujen käyttöä koskevat yleiset varoitukset

**VAROITUS:** Tutustu kaikkiin tämän sähkötyökalun mukana toimitettuihin varoituksiin, ohjeisiin, kuviin ja teknisiin tietoihin. Seuraavassa lueteltujen ohjeiden noudattamatta jättäminen saattaa johtaa sähköiskuun, tulipaloon tai vakavaan vammautumiseen.

### Säilytä varoitukset ja ohjeet tulevaa käyttöä varten.

Varoituksissa käytettävällä termillä "sähkötyökalu" tarkoitetaan joko verkkovirtaa käyttävää (johdollista) työkalua tai akkukäyttöistä (johdotonta) työkalua.

## Yleisiä ketjusahan käyttöä koskevia varoituksia

- Pidä kaikki jäsenet loitolla teräketjusta, kun ketjusahaa käytetään. Ennen kuin käynnistät ketjusahan, varmista, ettei sahan ketju osu mihinkään.** Hetkellisenkin käytönaikainen huolimattomuus voi aiheuttaa sen, että vaate tai jokin ruumiinjäsen jää kiinni teräketjuun.
- Pitele ketjusahaa aina siten, että oikea kätesi on takakahvalla ja vasen kätesi etukahvalla.** Ketjusahaa ei pidä koskaan käyttää kädet päinvastaisessa asennossa, sillä se suurentaa tapaturmavaaraa.
- Pitele moottorisahaa vain sen eristetyistä tartuntapinnoista, sillä teräketju saattaa osua piilossa oleviin johtoihin.** Jos teräketju osuu jännitteeseen johtoon, jännite voi siirtyä moottorisahan sähköä johtaviin metalliosiin ja aiheuttaa käyttäjälle sähköiskun.
- Pidä silmäsuojuksia. On suositeltavaa käyttää muitakin kuuloa, kasvoja, käsiä ja jalkoja suojaavia suojavälineitä.** Asianmukaisesti suojatut varusteet suojaavat pirstaleilta sekä teräkosketuksetta johtuvilta henkilövahingoilta.
- Älä käytä moottorisahaa puussa, tikkailla, katolla tai muilla epävakkailla alustoilla.** Moottorisahan käyttäminen näin voi johtaa vakaviin henkilövahinkoihin.
- Seiso tasapainossa ja käytä moottorisahaa vain, kun olet tasaisella ja kiinteällä alustalla.** Liukkaat tai epävakkaat alustat voivat aiheuttaa horjahduksen ja moottorisahan hallinnan menetyksen.
- Kun sahaat jännityksessä olevaa oksaa, ota huomioon vastaiskun mahdollisuus.** Oksasta vapautuva jännite voi saada oksan iskeytymään käyttäjää vasten ja/tai lyödä moottorisahan käyttäjän hallinnasta.
- Ole erityisen varovainen sahatessasi pensaikkoja ja taimia.** Ohuet varret voivat tarttua teräketjuun ja iskeytyä käyttäjään tai vetää käyttäjän tasapainosta.
- Kun kannat moottorisahaa, sammuta se ja pitele kiinni etukahvasta siten, että saha suuntautuu itsestäsi pois päin. Aseta terälevyn suojus paikalleen moottorisahan kuljetuksen ja varastoinnin ajaksi.** Moottorisahan asianmukainen käsittely vähentää todennäköisyyttä, että liikkuva teräketju osuu käyttäjään.
- Noudata voitelusta, teräketjun kiristämisestä sekä teräketjun ja -levyn vaihtamisesta annettuja ohjeita.** Väärin kiristetty tai voideltu ketju saattaa katketa tai lisätä takapotkun mahdollisuutta.
- Sahaa vain puuta. Älä käytä moottorisahaa työhön, johon sitä ei ole tarkoitettu. Älä käytä moottorisahaa esimerkiksi metallin, muovin, tiilien tai muiden kuin puisten rakennusmateriaalien sahaamiseen.** Moottorisahan käyttö tarkoituksiin, joihin sitä ei ole suunniteltu, voi aiheuttaa vaaratilanteen.
- Älä yritä kaataa puuta, ellet ole tietoihin siihen liittyvistä riskeistä ja niiden välttämisestä.** Kaatuvan puun alle jääminen voi aiheuttaa vakavia vammoja käyttäjälle tai sivullisille.

### 13. Takapotkun syyt ja ennaltaehkäisevät toimet:

Takapotku voi tapahtua, kun terälevyn etuosa tai kärki koskettaa jotain esinettä tai kun puun osat siirtyvät yhteen ja puristavat teräketjun väliinsä. Kärkikosketus voi joissakin tapauksissa aiheuttaa äkillisen vastakkaisreaktion ja työntää terälevyn nopeasti ylös ja käyttäjää kohti. Kun teräketju jää puristuksiin terälevyn yläosaa vasten, terälevy voi sinkoutua nopeasti käyttäjää kohti.

Kumpikin näistä reaktioista voi merkitä sahan hallinnan menettämistä ja aiheuttaa vakavia vammoja. Älä luota pelkästään sahaan rakennettuihin turvalaitteisiin. Ketjusahan käyttäjänä sinun pitää suorittaa useita toimia, jottei sahaus aiheuta onnettomuuksia tai vammoja.

Takapotku johtuu moottorisahan virheellisestä käytöstä ja/tai huonoista käyttöolosuhteista.

Takapotku voidaan välttää noudattamalla seuraavia varotoimia:

- **Pitele sahasta kunnolla kiinni. Purista peukalot ja sormet sahan kahvojen ympärille ja seiso sellaisessa asennossa, että voit vastustaa takapotkun voimaa.** Takapotkut ovat käyttäjän hallittavissa, kunhan niihin valmistaudutaan asianmukaisesti. Älä irrota otetta sahasta.

#### ► Kuva 1

- **Älä kurota tai sahaa olkapäitäsä korkeammalla tasolla.** Tämä vähentää todennäköisyyttä, että terälevyn kärki osuu johonkin tahattomasti sekä parantaa sahan hallittavuutta odottamattomissa tilanteissa.
- **Käytä vain valmistajan määrittelemiä vaihtoterälevyjä ja -teräketjuja.** Vääränlaisten terälevyjen tai teräketjujen käyttäminen voi aiheuttaa ketjun katkeamisen ja/tai takapotkun.
- **Teroita ja huolla teräketju valmistajan ohjeiden mukaan.** Syvyydensäätöhampaiden madaltaminen voi lisätä takapotkujen mahdollisuutta.

14. **Noudata kaikkia ohjeita, kun poistat kiinni jäänyttä materiaalia moottorisahasta tai kun varastoit sen tai huollat sitä. Varmista, että katkaisin on pois päältä ja akkupaketti on irrotettu.** Moottorisahan odottamaton käynnistyminen kiinni jääneen leikkuumateriaalin poistamisen tai huollon yhteydessä voi saada aikaa vakavia henkilövahinkoja.

## Lisäturvallisuusohjeet

### Henkilönsuojaimet

1. Vaatteiden täytyy olla istuvia, mutta ne eivät saa haitata liikkumista.
2. Käytä työssä seuraavia suojavarusteita:
  - hyväksytyä suojakypärää, jos putoavat oksat tai vastaavat voivat aiheuttaa vaaraa
  - kasvosuojusta tai suojalaseja
  - sopivia kuulosuojaimia tai korvatulppia. Oktaavikaista-analysi saatavana.
  - paksumia nahkaisia suojakäsineitä
  - tukevasta kankaasta valmistettuja pitkiä housuja

- viistosuojatusta kankaasta valmistettuja suojahaalareita
- turvakengkiä tai saappaita, joissa on karhennettu antura, teräksinen kärkivahvike ja tukeva vuori
- hengityssuojainta, jos sahaaminen synnyttää pölyä (esimerkiksi kuivaa puuta sahattaessa).

### Käyttö

1. **Ennen työn aloittamista tarkista, että ketjusaha on toimintakunnossa ja turvamääräysten mukainen. Varmista erikseen, että:**
  - ketjujarru toimii moitteettomasti;
  - pysäytysjarru toimii moitteettomasti;
  - terälevy ja hammaspyörän kotelo ovat paikoillaan;
  - ketju on teroitettu ja kiristetty ohjeiden mukaan.
2. **Älä käynnistä ketjusahaa, kun ketjun suojus on asennettu sahaan.** Jos ketjusaha käynnistetään, kun teräketjun suojus on paikallaan, suojus voi lennähtää eteenpäin ja aiheuttaa henkilövahinkoja tai aineellisia vahinkoja.
3. **Kun käytät työkalua mutaisessa maastossa, määrässä rinteessä tai liukkaassa paikassa, kiinnitä erityistä huomiota hyvän tasapainon säilyttämiseen.**
4. **Älä upota työkalua lammikkoihin.**
5. **Älä jätä työkalua ulos sateeseen ja valvomatta.**

### Sähköturvallisuus ja akku

1. **Vältä vaarallisia ympäristöjä. Älä käytä työkalua kosteissa tai märissä paikoissa äläkä altista sitä sateelle.** Työkalun sisään päässyt vesi lisää sähköiskun vaaraa.
2. **Älä hävitä akkuja polttamalla.** Akkukeräys voi räjähtää. Tarkista, onko paikallisissa määrärayksissä erityisiä laitteita koskevia hävitysohjeita.
3. **Älä avaa tai riko akkuja.** Akusta mahdollisesti vuotava elektrolyytti on syövyttävää ja saattaa vaurioittaa ihoa tai silmiä. Se saattaa olla myrkyllistä nieltynä.
4. **Älä lataa akkua sateessa tai kosteissa olosuhteissa.**
5. **Älä lataa akkua ulkona.**
6. **Älä käsittele laturia tai sen liitinosaa ja latausliittimiä märin käsin.**
7. **Älä vaihda akkua sateessa.**
8. **Älä vaihda akkua märin käsin.**
9. **Älä jätä akkua sateeseen äläkä lataa, käytä tai säilytä akkua kosteassa tai määrässä paikassa.**
10. **Älä kastele akun liitintä nesteellä, kuten vedellä, tai upota sitä nesteeseen.** Jos liitintä kastuu tai nestettä pääsee akun sisään, akku voi joutua oikosulkuun, mikä aiheuttaa ylikuumentumisen, tulipalon tai räjähdysvaaran.
11. **Kun olet irrottanut akun työkalusta tai laturista, muista kiinnittää akkuun sen suojus ja säilyttää akku kuivassa paikassa.**
12. **Jos akkupakkaus on kastunut, valuta sisään päässyt vesi ulos ja pyyhi akkupakkaus kuivalla liinalla. Kuivaa akkupakkaus huolellisesti kuivassa paikassa ennen käyttöä.**

## Kunnossapito ja säilytys

1. Kun varastoit työkalun, vältä sijoittamasta sitä paikkaan, jossa se altistuu suoralle auringonpaisteelle, sateelle, kuumuudelle tai kosteudelle.

## SÄILYTÄ NÄMÄ OHJEET.

**VAROITUS:** ÄLÄ anna työkalun helppokäytöisyyden (toistuvan käytön aikaansaama) johtaa sinua väärään turvallisuuden tunteeseen niin, että laiminlyöt työkalun turvaohjeiden noudattamisen. VÄÄRINKÄYTTÖ tai tässä käyttöohjeessa ilmoitettujen turvamääräysten laiminlyönti voi aiheuttaa vakavia henkilövahinkoja.

## Akkupakettia koskevia tärkeitä turvaohjeita

1. Ennen akun käyttöönottoa tutustu kaikkiin laturissa (1), akussa (2) ja akkukäyttöisessä tuotteessa (3) oleviin varoitusteksteihin.
2. Älä pura tai peukalo imuria akkupakettia. Se voi johtaa tulipaloon, ylikuumentumiseen tai räjähdykseen.
3. Jos akun toiminta-aika lyhenee merkittävästi, lopeta akun käyttö. Seurauksena voi olla ylikuumentuminen, palovammoja tai jopa räjähdys.
4. Jos akkuneustetta pääsee silmiin, huuhtelee puhtaalla vedellä ja hakeudu välittömästi lääkärin hoitoon. Akkuneuste voi aiheuttaa näön menetyksen.
5. Älä oikosulje akkua.
  - (1) Älä koske akun napoihin millään sähköä johtavalla materiaalilla.
  - (2) Vältä akun oikosulkemista äläkä säilytä akkua yhdessä muiden metalliesineiden, kuten naulojen, kolikoiden ja niin edelleen kanssa.
  - (3) Älä aseta akkua alttiiksi vedelle tai sateelle. Oikosulku voi aiheuttaa virtapiikkiin, ylikuumentumista, palovammoja tai laitteen rikkoontumisen.
6. Älä säilytä ja käytä työkalua ja akkupakettia paikassa, jossa lämpötila voi nousta 50 °C:een (122 °F) tai korkeammaksi.
7. Älä hävitä akkua polttamalla, vaikka se olisi pahoin vaurioitunut tai täysin loppuun kulunut. Avotuli voi aiheuttaa akun räjähtämisen.
8. Älä naulaa, leikkaa, purista, heitä tai pudota akkupakettia tai iske sitä kovia esineitä vasten. Tällaiset toimet voivat johtaa tulipaloon, ylikuumentumiseen tai räjähdykseen.
9. Älä käytä viallista akkua.
10. Sisältyviä litium-ioni-akkua koskevat vaarallisten aineiden lainsäädännön vaatimukset. Esimerkiksi kolmansien osapuolten huolintaliikkeiden tulee kaupallisissa kuljetuksissa noudattaa pakkauksista ja merkintöjä koskevia erityisvaatimuksia. Lähetettävän tuotteen valmistelu edellyttää vaarallisten aineiden asiantuntijan neuvontaa. Huomioi myös mahdollisesti yksityiskohtaisemmat kansalliset määräykset Akun avoimet liittimet tulee suojata teipillä tai suojuksella ja pakkaaminen tulee tehdä niin, ettei akku voi liikkua pakkauksessa.

11. Kun akkupaketti on hävitettävä, poista se laitteesta ja hävitä se turvallisesti. Hävitä akku paikallisten määräysten mukaisesti.
12. Käytä akkua vain Makitan ilmoittamien tuotteiden kanssa. Akkujen asentaminen yhteensopimattomiin tuotteisiin voi aiheuttaa tulipalon, liiallisen ylikuumentumisen, räjähdyksen tai akkuneustevuotoja.
13. Jos laitetta ei käytetä pitkään aikaan, akku on poistettava laitteesta.
14. Akkupaketin lämpötila voi käytön aikana ja sen jälkeen nousta niin kuumaksi, että se voi aiheuttaa palovammoja tai lieviä palovammoja. Käsittele kuumia akkupaketteja huolellisesti.
15. Älä kosketa työkalun liittintä välittömästi käytön jälkeen, sillä se voi olla riittävän kuuma aiheuttamaan palovammoja.
16. Älä päästä lastuja, pölyä tai maata akkupaketin liittimiin, aukkoihin ja uriin. Se voi johtaa työkalun tai akkupaketin lämpenemiseen, syttymiseen, purkautumiseen tai toimintahäiriöön, mikä voi aiheuttaa palovammoja tai vammoja.
17. Ellei työkalu tue käyttöä korkeajännitelinjoihin lähellä, älä käytä akkupakettia korkeajännitelinjoihin lähellä. Se voi johtaa työkalun tai akkupaketin toimintahäiriöön tai rikkoontumiseen.
18. Pidä akku pois lasten ulottuvilta.

## SÄILYTÄ NÄMÄ OHJEET.

**HUOMIO:** Käytä vain alkuperäisiä Makita-akkua. Muiden kuin aitojen Makita-akkujen, tai mahdollisesti muutettujen akkujen käyttö voi johtaa akun murtumiseen ja aiheuttaa tulipaloja, henkilö- ja omaisuusvahinkoja. Se mitätöi myös Makita-työkalun ja -laturin Makita-takuun.

## Vihjeitä akun käyttöön pidentämiseksi

1. Lataa akku ennen kuin se purkautuu täysin. Lopeta aina työkalun käyttö ja lataa akku, jos huomaat työkalun tehon vähenevän.
2. Älä koskaan lataa uudestaan täysin ladattua akkua. Ylilataaminen lyhentää akun käyttöikää.
3. Lataa akku huoneen lämpötilassa välillä 10 °C - 40 °C. Anna kuuman akun jäähtyä ennen lataamista.
4. Irrota akkupaketti työkalusta tai laturista, kun sitä ei käytetä.
5. Lataa akkupaketti, jos et käytä sitä pitkään aikaan (yli kuusi kuukautta).

# OSIEN KUVAUS

## ► Kuva2

1	Akkupaketti	2	Etukäsisuoja	3	Vipu
4	Terälevy	5	Teräketju	6	Säätölevy
7	Päävirran merkkivalo	8	Päävirtakytkin	9	Lukitusvipu
10	Takakahva	11	Liipaisinkytkin	12	Etukahva
13	Öljysäiliön korkki	14	Terälevyn suojus	15	Säätöruuvi (öljypumpulle)
16	Ketjusieppo	-	-	-	-

## TOIMINTOJEN KUVAUS

**▲HUOMIO:** Varmista aina ennen säätöjä ja tarkastuksia, että työkalu on sammutettu ja akkupaketti irrotettu.

### Akun asentaminen tai irrottaminen

**▲HUOMIO:** Sammuta työkalu aina ennen akun kiinnittämistä tai irrottamista.

**▲HUOMIO:** Pidä työkalusta ja akusta tiukasti kiinni, kun irrotat tai kiinnität akkua. Jos akkupaketti tai työkalu putoaa, ne voivat vaurioitua tai aiheuttaa tapaturman.

► **Kuva3:** 1. Punainen ilmaisim 2. Painike  
3. Akkupaketti

Irrota akku painamalla akun etupuolella olevaa painiketta ja vetämällä akku ulos työkalusta.

Akkupaketti asetetaan paikalleen sovittamalla akkupaketin kieleke rungon uraan ja työntämällä se sitten paikalleen. Työnnä se pohjaan asti niin, että kuulet sen napsahtavan paikoilleen. Jos näet kuvan mukaisen punaisen ilmaisimen, lukitus ei ole täysin pitävä.

**▲HUOMIO:** Työnnä akkupaketti aina pohjaan asti, niin että punainen ilmaisim ei enää näy. Jos akkupaketti ei ole kunnolla paikallaan, se voi pudota työkalusta ja aiheuttaa vammoja joko sinulle tai sivullisille.

**▲HUOMIO:** Älä käytä voimaa akun asennuksessa. Jos akku ei liu'u paikalleen helposti, se on väärässä asennossa.

### Akun jäljellä olevan varaustason ilmaisim

Painamalla tarkistuspainiketta saat näkyviin akun jäljellä olevan varaustason. Merkkivalot palavat muutaman sekunnin ajan.

► **Kuva4:** 1. Merkkivalot 2. Tarkistuspainike

Merkkivalot			Akussa jäljellä olevan varaus
Palaa	Pois päältä	Viikkuu	
■ ■ ■ ■		▧	75% - 100%
■ ■ ■ □		▧	50% - 75%
■ ■ □ □		▧	25% - 50%
■ □ □ □		▧	0% - 25%
▧ □ □ □		▧	Lataa akku.
■ ■ □ □		▧	Akussa on saattanut olla toimintahäiriö.
□ □ ■ ■		▧	

**HUOMAA:** Ilmoitettu varaustaso voi erota hieman todellisesta varaustasosta sen mukaan, millaisissa oloissa ja missä lämpötilassa laitetta käytetään.

**HUOMAA:** Ensimmäinen (vasemmanpuoleisin) merkkivalo viikkuu, kun akun suojausjärjestelmä on toiminnassa.

### Työkalun/akun suojausjärjestelmä

Työkalu on varustettu työkalu/akun suojausjärjestelmällä. Tämä järjestelmä pidentää työkalun ja akun käyttöikää katkaisemalla automaattisesti moottorin virran. Työkalu pysähtyy automaattisesti kesken käytön, jos työkalussa tai akussa ilmenee jokin seuraavista tilanteista:

### Ylikuormitussuoja

Kun akkua käytetään tavalla, joka saa sen kuluttamaan epätavallisen suuren määrän virtaa, työkalu pysähtyy automaattisesti ja päävirran merkkivalo viikkuu vihreänä. Katkaise tässä tilanteessa laitteesta virta ja lopeta ylikuormitustilan aiheuttanut käyttö. Käynnistä sitten laite uudelleen kytkemällä siihen virta.

## Ylikuumenemissuoja

Työkälun ylikuumentessa se pysähtyy automaattisesti ja päävirran merkkivalo alkaa vilkkua punaisena. Anna silloin laitteen tai akun jäähtyä, ennen kuin kytket laitteen uudelleen virran.

**HUOMAA:** Jos lämpötila on korkea, ylikuumenemissuoja kytkeytyy päälle ja työkalu pysähtyy automaattisesti.

## Ylipurkautumissuoja

Jos akkukapasiteetti ei riitä, työkalu pysähtyy automaattisesti ja päävirran merkkivalo alkaa vilkkua punaisena. Irrota tässä tapauksessa akku laitteesta ja lataa se.

## Suojaus muilta haitallisilta tapahtumilta

Suojausjärjestelmä on suunniteltu suojaamaan työkalu myös muilta tapahtumilta, jotka voisivat vahingoittaa työkalua, ja pysäyttämään työkalu automaattisesti tällaisissa tapauksissa. Kun työkalu tai sen toiminta on pysähtynyt tilapäisesti tai se on pysähtynyt, poista pysäytyksen syyt seuraavien vaiheiden mukaisesti.

1. Käynnistä työkalu sammuttamalla se ja kytkemällä se sitten uudelleen päälle.
2. Lataa akut tai vaihda ne ladattuihin akkuihin.
3. Anna koneen ja akkujen jäähtyä.

Jos suojausjärjestelmän nollaaminen ei korjaa tilannetta, ota yhteys paikalliseen Makita-huoltoon.

**HUOMAUTUS:** Jos työkalu pysähtyy muusta kuin edellä kuvatusta syystä, katso vianmääritysohjeita.

## Päävirtakytkin

**VAROITUS:** Kytke aina päävirtakytkin pois päältä, kun työkalua ei käytetä.

Kytke työkaluun virta painamalla päävirtakytkintä. Päävirran merkkivalo syttyy vihreänä. Katkaise virta painamalla päävirtakytkintä uudelleen.  
► **Kuva5:** 1. Päävirran merkkivalo 2. Päävirtakytkin

**HUOMAA:** Päävirran merkkivalo vilkkuu vihreänä, jos kytkinliipaisinta painetaan käyttämättömässä tilassa. Merkkivalo vilkkuu seuraavissa tilanteissa.

- Kun kytket päävirtakytkimen päälle pitämällä samalla lukkovipua ja kytkinliipaisinta painettuna.
- Kun painat liipaisinkytkintä, kun ketjujarrua käytetään.
- Kun vapautat ketjujarrun pitämällä samalla lukkovipua ja kytkinliipaisinta painettuna.

**HUOMAA:** Tämä laite sisältää automaattisen sammutustoiminnon. Tahattoman käynnistymisen välttämiseksi, päävirtakytkin sammuu automaattisesti, kun liipaisinkytkintä ei paineta tietyin ajan kuluessa päävirtakytkimen ollessa kytkettynä päälle.

## Kytkimen käyttäminen

**VAROITUS:** Käyttäjän turvallisuuden vuoksi työkalussa on lukitusvipu, joka estää sen käynnistämisen vahingossa. ÄLÄ koskaan käytä työkalua, jos se käynnistyy pelkästään liipaisinkytkintä painamalla ilman, että lukitusvipua painetaan. Toiminta työkalu valtuutettuun huoltoon korjattavaksi ENNEN kuin jatkat käyttöä.

**VAROITUS:** ÄLÄ koskaan teippaa tai ohita lukitusvipua.

**HUOMIO:** Tarkista aina ennen akkupaketin asettamista työkaluun, että liipaisinkytkin kytkeytyy oikein ja palaa ”OFF”-asentoon, kun se vapautetaan.

**HUOMAUTUS:** Älä vedä liipaisinkytkimestä voimakkaasti, ellet samalla paina lukituksen vapautusvivusta. Kytkin voi rikkoutua.

Laitteessa on lukitusvipu, joka estää liipaisinkytkimen painamisen vahingossa. Käynnistä laite painamalla lukitusvipua ja vetämällä liipaisinkytkimestä. Laitteen nopeus kasvaa liipaisinkytkimeen kohdistuvaa voimaa lisättäessä. Pysäytä vapauttamalla liipaisinkytkin.

► **Kuva6:** 1. Liipaisinkytkin 2. Lukitusvipu

## Ketjujarrun toiminnan tarkistus

**HUOMIO:** Pidä sahaa molemmin käsin, kun käynnistät sen. Tartu takakahvaan oikealla kädellä ja etukahvaan vasemmalla. Terälevy ja ketju eivät saa koskettaa mihinkään.

**HUOMIO:** Jos saha ei testatessa heti pysähdy, sitä ei saa missään tapauksessa käyttää. Ota yhteys valtuutettuun huoltoliikkeeseen.

1. Paina lukituksen vapautuspainiketta ja sitten liipaisinkytkintä. Saha käynnistyy heti.
  2. Paina etukäsinsuojasta eteenpäin kämmenselällä. Varmista, että saha pysähtyy heti.
- **Kuva7:** 1. Etukäsinsuoja 2. Avattu asento 3. Lukittu asento

## Pysäytysjarrun toiminnon tarkastaminen

**HUOMIO:** Jos saha ei testatessa heti pysähdy sekunnin kuluessa, Lopeta sahan käyttö ja ota yhteys valtuutettuun huoltoliikkeeseen.

Käytä sahaa ja vapauta sitten liipaisinkytkin kokonaan. Sahan pitäisi pysähtyä yhdessä sekunnissa.

## Ketjun voitelun säätö

Öljypumpun syöttönopeutta voi säätää säätöruuvien avulla. Öljyn määrää voi säätää yleisavaimella.

► **Kuva8:** 1. Säätöruuvi

# KOKOONPANO

**⚠HUOMIO:** Varmista aina ennen mitään työkalulle tehtäviä toimenpiteitä, että se on sammutettu ja akku irrotettu.

**⚠HUOMIO:** Älä koske teräketjuun paljain käsin. Käytä aina suojakäsineitä, kun käsittelet terää.

## Ketjun kiinnitys ja irrotus

**⚠HUOMIO:** Teräketju ja terälevy ovat käytön jälkeen kuumia. Anna niiden jäähtyä riittävästi, ennen kuin teet työkalulle mitään huoltotoimenpiteitä.

**⚠HUOMIO:** Kiinnitä ja irrota ketju puhtaassa tilassa, jossa ei ole sahanpurua tms.

## Teräketjun asentaminen

Kiinnitä ketju toimimalla seuraavasti:

1. Vapauta ketjujarru vetämällä etukäsisuojaa.
2. vedä vipua ylös painaessasi sen reunaa.  
▶ **Kuva9:** 1. Vipu
3. Käännä vipua vastapäivään, kunnes hammaspyörän kotelo irtoaa.  
▶ **Kuva10:** 1. Vipu 2. Hammaspyörän kotelo
4. Irrota hammaspyörän kotelo.
5. Tarkista teräketjun suunta. Täsmäytä teräketjun suunta ketjusahan rungossa olevaan merkkiin.  
▶ **Kuva11:** 1. Merkki ketjusahan rungossa
6. Aseta teräketju toinen pää terälevylle.
7. Aseta teräketjun toinen pää hammaspyörän ympärille ja kiinnitä sitten terälevy ketjusahan runkoon.  
▶ **Kuva12:** 1. Hammaspyörä
8. Siirrä säätötappia nuolen suuntaan kiertämällä säätölevyä miinusmerkin suuntaan.  
▶ **Kuva13:** 1. Säätölevy 2. Säätötappi
9. Aseta hammaspyörän kotelo sahaan siten, että säätötappi osuu terälevyssä olevaan pieneen aukkoon.  
▶ **Kuva14:** 1. Hammaspyörän kotelo 2. Terälevy 3. Reikä
10. Käännä vipu täysin myötäpäivään ja käännä sitä hieman takaisin, ettei ketju tule liian löysälle kireyttä säädettäessä.
11. Säädä ketjun kireyttä. Lisätietoja menettelystä on ketjun kireyden säätämistä koskevassa osiossa.
12. Käännä vipua myötäpäivään, kunnes hammaspyörän kotelo on kiinnitetty ja palauta se alkuperäiseen asentoon.  
▶ **Kuva15:** 1. Vipu 2. Hammaspyörän kotelo

## Teräketjun irrottaminen

Irrota ketju toimimalla seuraavasti:

1. Vapauta ketjujarru vetämällä etukäsisuojaa.
2. Löysää ketjun kireyttä kääntämällä säätölevyä miinussuuntaan.  
▶ **Kuva16:** 1. Säätölevy

3. vedä vipua ylös painaessasi sen reunaa.

▶ **Kuva17:** 1. Vipu

4. Käännä vipua vastapäivään, kunnes hammaspyörän kotelo irtoaa.

▶ **Kuva18:** 1. Vipu 2. Hammaspyörän kotelo

5. Irrota hammaspyörän kotelo, sitten teräketju ja terälevy ketjusahan rungosta.

## Ketjunkireyden säätö

**⚠HUOMIO:** Kiinnitä ja irrota ketju puhtaassa tilassa, jossa ei ole sahanpurua tms.

**⚠HUOMIO:** Älä kiristä ketjua liikaa. Jos ketju on liian kireällä, se voi katketa, kuluttaa terälevyä ja rikkoa säätölevyn.

**⚠HUOMIO:** Jos ketju on liian löysällä, se voi hypätä pois terälevystä ja aiheuttaa siten vaaratilanteen.

Ketju voi löystyä usean tunnin käytön jälkeen. Tarkista ketjun kireys ennen käyttöä.

1. vedä vipua ylös painaessasi sen reunaa.

▶ **Kuva19:** 1. Vipu

2. Käännä vipua vähän vastapäivään, jotta hammaspyörän kotelo löystyy hieman.

▶ **Kuva20:** 1. Vipu 2. Hammaspyörän kotelo

3. Nosta terälevyn kerkeä kevyesti ja säädä ketjun kireys. Käännä säätölevyä miinussuuntaan löysäämiseksi ja plussuuntaan kiristääkseen. Kiristä teräketjua, kunnes teräketjun alaosa osuu terälevyn uraan kuvaan mukaan.

▶ **Kuva21:** 1. Säätölevy 2. Terälevy 3. Teräketju

4. Kannattele terälevyä kevyesti ja kiristä ketjupyörän kotelo. Varmista, ettei teräketju löysty terälevyn alapuolella.

5. Käännä vipu alkuperäiseen asentoon.

Varmista, että teräketju on terälevyn alareunaa vasten.

## TYÖSKENTELY

### Voitelu

**⚠HUOMIO:** Älä käytä ketjusahaa, kun säiliö on tyhjä. Lisää öljyä hyvissä ajoin ennen kuin säiliö tyhjenee.

**⚠HUOMIO:** Varo, ettei öljyä pääse iholle tai silmiin. Öljyn pääsy silmiin voi aiheuttaa ärsytystä. Jos öljyä on päässyt silmään, huuhtelee silmää heti puhtaalla vedellä ja ota sitten yhteyttä lääkäriin.

**⚠HUOMIO:** Älä koskaan käytä jäteöljyä. Jäteöljy sisältää syöpää aiheuttavia aineita. Jäteöljyn epäpuhtaudet kuluttavat nopeasti öljypumppua, terälevyä ja ketjua. Jäteöljy on haitallista ympäristölle.



**HUOMAUTUS:** Kun moottorisahaa käytetään ensimmäistä kertaa, voi kestää jopa kaksi minuuttia ennen kuin ketjuöljy alkaa voidella sahan mekaanisia osia kunnolla. Käytä sahaa ilman kuormaa, kunnes voitelu alkaa toimia.

**HUOMAUTUS:** Kun täytät sahan öljysäiliötä ensimmäistä kertaa tai kun lisäät öljyä täysin tyhjeneeseen säiliöön, lisää öljyä täytökauhan alareunaan asti. Muutoin öljyn syötössä voi esiintyä häiriöitä.

**HUOMAUTUS:** Käytä Makita-teräketjuöljyjä tai muita vastaavia myynnissä olevia teräketjuöljyjä.

**HUOMAUTUS:** Älä käytä öljyä, jossa on liikaa tai roskaa tai haihtuvia öljyjä.

**HUOMAUTUS:** Käytä puiden oksia karsiessasi kasviöljyjä. Mineraaliöljyt voivat vahingoittaa puuta.

**HUOMAUTUS:** Varmista, että öljysäiliön korkki on paikallaan, ennen kuin aloitat sahaamisen.

Teräketju voidellaan automaattisesti, kun sahaa käytetään. Tarkista öljysäiliössä jäljellä olevan öljyn määrä säännöllisesti öljymäärän tarkistusikkunasta.

► **Kuva22:** 1. Öljysäiliön korkki 2. Öljymäärän tarkistusikkuna

Lisää öljyä toimimalla seuraavasti:

1. Puhdista öljysäiliön korkin ympäristö huolellisesti, jotta öljysäiliöön ei pääse likaa.
2. Aseta ketjusaha kyljelleen.
3. Paina öljysäiliön korkissa olevaa painiketta, jotta toisen puolen painike nousee ylös, ja irrota sitten öljysäiliön korkki kääntämällä sitä.
- **Kuva23:** 1. Öljysäiliön korkki 2. Kiristä 3. Löysää
4. Täytä öljysäiliö öljyllä. Oikea määrä öljyä on 260 ml.
5. Kierrä öljysäiliön korkki tiukasti kiinni.
6. Pyyhi mahdolliset ketjuöljyroiskeet pois huolellisesti.

**HUOMAA:** Jos öljysäiliön korkki ei käänny helposti, aseta hylsyavain öljysäiliön korkissa olevaan hahloon ja irrota sitten öljysäiliön korkki kääntämällä sitä vastapäivään.

► **Kuva24:** 1. Hahlo 2. Hylsyavain

Pidä saha erossa puusta täytön jälkeen. Käynnistä saha ja odota, että voitelu alkaa toimia kunnolla.

► **Kuva25**

## Ketjusahan käyttö

**▲HUOMIO:** Henkilön, joka ei ole aikaisemmin käyttänyt moottorisahaa, on hyödyllistä harjoitella sahan käyttöä ensin sahaamalla puuta sahapukissa tai muussa telineessä.

**▲HUOMIO:** Sahatavaraa sahattaessa on käytettävä asianmukaista tukea (sahapukkia tai muuta telinettä). Älä pidä sahattavaa kappaletta paikallaan jalallasi äläkä anna kenenkään muun pitää sitä paikallaan.

**▲HUOMIO:** Estä pyöreyden kappaleiden pyöriminen.

**▲HUOMIO:** Pidä kaikki rungon osat loitolla ketjusta moottorin ollessa käynnissä.

**▲HUOMIO:** Pidä sahaa hyvin molemmin käsin kun se on käynnissä.

**▲HUOMIO:** Älä kurkota. Seiso tukevassa asennossa ja säilytä tasapainosi.

**HUOMAUTUS:** Älä koskaan heitä tai pudota työkalua.

**HUOMAUTUS:** Älä peitä työkalun ilmanvaihtoaukkoja.

Tuo ketjusahan rungon alareuna oksan kanssa yhteyteen sen katkaisemiseksi ennen päälle kytkemistä. Muutoin terälevy saattaa heilua, mikä voi aiheuttaa vamman käyttäjälle. Saha puu liikuttamalla sahaa alaspäin sen oman painon voimasta.

► **Kuva26**

Jos et pysty leikkaamaan puuta täysin läpi yhdellä vetäisyllä:

Sovella kevyttä painetta kahvaan ja jatka sahaamista ja vedä sahaa taaksepäin hieman; sovelta sitten kaarnapiikkiä hieman alempaan ja tee loppuun leikkaus nostamalla kahvaa.

► **Kuva27**

## Katkaisu

1. Tuo ketjusahan rungon alareuna oksan kanssa yhteyteen sen katkaisemiseksi.

► **Kuva28**

2. Kun ketju pyörii, ala sahata puuta niin, että nostat sahaa takakahvasta ja ohjaat etukahvasta. Käytä kaarnapiikkiä tukipisteenä.

3. Jatka sahaamista lisäämällä hieman painetta etukahvaan ja kääntämällä sahaa hieman taakse. Siirrä kaarnapiikkiä hieman alemmas puun pinnalla ja nosta etukahvaa uudelleen.

**HUOMAUTUS:** Jos katkaiset puun useammasta kohtaa, sammuta saha katkaisukohtien välillä.

**▲HUOMIO:** Jos terälevyn yläreunaa käytetään katkaisuun, saha voi ponnahtaa käyttäjää kohti, jos se juuttuu. Käytä siksi katkaisuun terälevyn alareunaa, jolloin saha vetää aina käyttäjäästä pois päin.

► **Kuva29**

Sahaa jännityksen alaista puuta ensin siltä puolelta, johon puristus kohdistuu (A). Tee sitten lopullinen katkos vetojännityksen alaisella puolella (B). Näin terälevy ei juutu kiinni.

► **Kuva30**

## Karsinta

**▲HUOMIO:** Oksien karsintaa saa tehdä vain käyttökoulutuksen saanut henkilö. Vaarana on sahan takapotku.

Oksia karsittaessa saha on mahdollisuuksien mukaan tuettava runkoon. Älä käytä terälevyn kärkeä, ettei saha pääse potkaisemaan.

Kiinnitä erityistä huomioita jännityksen alaisiin oksiin.

Älä katkaise ilman tukea olevia oksia alapuolelta.

Älä seiso kaadetun rungon päälle oksia karsiessasi.

## Koloaminen ja syyn suuntainen sahaus

**▲HUOMIO:** Koloamista ja syyn suuntaista sahausta saavat tehdä vain asianmukaisen koulutuksen saaneet henkilöt. Takapotkun mahdollisuus aiheuttaa loukkaantumisvaaran.

Tee syyn suuntainen sahaus mahdollisimman loivassa kulmassa. Ole erityisen varovainen sahausajan aikana, koska kaarnapiikkiä ei voida käyttää.

► **Kuva31**

## Kaattaminen

**▲HUOMIO:** Puita saa kaataa vain asianmukaisen käyttökoulutuksen saanut henkilö. Työ on vaarallista.

Jos haluat kaataa puun, noudata paikallisia määräyksiä.

► **Kuva32:** 1. Kaatoalue

- Ennen työn aloittamista, varmista, että:
  - lähitöillä ei ole muita kuin kaatoon osallistuvia henkilöitä;
  - jokaisella työhön osallistuvalla on esteetön poistumisreitti noin 45 asteen sektorissa kaadettavan puun pituusakselin kummallakin puolella. Ota huomioon sähköjohtoihin kompastumisen vaara;
  - rungon tyvessä ei ole vieraita esineitä, juuria tai oksia;
  - ketään ihmisiä tai mitään esineitä ei ole 2 1/2 rungonmitan päässä puun kaatumis suunnassa.
- Ota jokaisen puun kohdalla huomioon seuraavat seikat:
  - kallistumissuunta;
  - irtoneiset tai kuivat oksat;
  - puun korkeus;
  - luonnonmukainen ylitys;
  - onko puu laho.
- Ota huomioon tuulen voimakkuus ja suunta. Älä kaada puuta, jos tuuli on puuskaista.
- Juurten katkominen: Aloita isoimmista juurista. Tee ensin pysty- ja sitten vaakasahaus.

- Asetu kaatuvan puun sivulle. Huolehdi siitä, että kaatuvan puun taakse jää sen pituusakselin kummallekin puolelle 45 asteen esteetön sektori (ks. kaatoaluetta kuvaava piirros). Varo oksia.

- Suunnittele itsellesi esteetön pakoreitti, ennen kuin aloitat sahaamisen. Pakoreitin tulee suuntautua vinoesti taaksepäin ja sen täytyy ulottua kaatoalueen ulkopuolelle kuvan osoittamalla tavalla.

► **Kuva33:** 1. Kaatamissuunta 2. Vaara-alue 3. Pakoreitti

Noudata alla olevia ohjeita puita kaadettaessa:

1. Sahaa kaatolovi mahdollisimman lähelle maan pintaa. Tee ensin vaakasahaus, jonka syvyys vastaa 1/5 - 1/3 rungon halkaisijasta. Älä tee lovesta liian suurta. Tee sitten vino yläsahaus.

► **Kuva34**

**HUOMAA:** Lovi määrää ja ohjaa, mihin suuntaan puu kaatuu. Lovi tehdään sille puolelle, johon puun on määrä kaatua.

2. Sahaa rungon vastakkaiselle puolelle tehtävä sahaus vähän kaatoloven alapintaa ylemmäksi. Vastapuolen sahauskeski on täysin vaakasuora. Jätä vastapuolen viillöksen ja loven väliin pitopuuta noin 1/10 puun halkaisijasta. Ehjäksi jätetty pitopuu toimii saranana. Aseta kiilat vastapuolen sahauskeskiin ajoissa.

► **Kuva35**

**▲VAROITUS:** Älä sahaa kokonaan puun läpi missään tilanteessa. Muutoin puu kaatuu hallitsemattomasti.

**HUOMAUTUS:** Vastapuolen sahauskeskiä ei pidä käyttää vain muovi- tai alumiinikiiloja. Rautakiilojen käyttö on kielletty.

## Koneen kantaminen

Ennen kuin annat työkalua, kytke ketjujarru ja irrota akkupaketti työkalusta. Kiinnitä sitten terälevyn suojuus. Peitä myös akkupaketti sen suojuksella.

► **Kuva36:** 1. Terälevyn suojuus 2. Akun suojuus

## KUNNOSSAPITO

**▲HUOMIO:** Varmista aina ennen tarkastusta tai huoltoa, että työkalu on sammutettu ja akku irrotettu.

**▲HUOMIO:** Käytä aina suojakäsineitä, kun tarkastat laitetta tai teet huoltotyötä.

**HUOMAUTUS:** Älä koskaan käytä bensiiniä, ohenteita, alkoholia tai tms. aineita. Muutoin pinta voi halkeilla tai sen värit ja muoto voivat muuttua. Muutoin laitteeseen voi tulla värjäytyksiä, muodon vääristymiä tai halkeamia.

Tuotteen TURVALLISUUDEN ja LUOTETTAVUUDEN takaamiseksi korjaukset, muut huoltotyöt ja säädöt on teetettävä Makitan valtuutetussa huoltopisteessä Makitan varaosia käyttäen.

## Ketjun teroitus

### Teroita ketju, kun:

- Kostea puuta sahatessa syntyy jauhomaista sahajauhoa;
- Ketju tunkeutuu puuhun heikosti, vaikka sahaa painettaisiin voimakkaasti;
- Leikkuureuna on selvästi vaurioitunut;
- Saha vetää puussa vasemmalle tai oikealle. (tähän on syynä ketjun epätasainen teroitus tai toisen puolen vaurioituminen)

Teroita ketju säännöllisesti, mutta poista vain vähän materiaalia kerrallaan. Kaksi tai kolme viilan vetoa tavallisesti riittää tavanomaisessa teroituksessa. Kun olet teroittanut ketjun useaan kertaan, teroituta se valtuutetussa huoltoliikkeessä.

### Teroituskriteerit:

**VAROITUS:** Suuri etäisyys leikkausterän ja syvydensäätöhampaan välillä lisää takapotkun vaaraa.

- **Kuva37:** 1. Leikkauspituus 2. Etäisyys leikkausterän ja syvydensäätöhampaan välillä 3. Minimileikkauspituus (3 mm)
- Kaikkien hampaiden täytyy olla yhtä pitkiä. Eripituiset hampaat estävät ketjuja pyörimästä tasaisesti ja voivat aiheuttaa ketjun katkeamisen.
  - Älä teroita ketjuja, kun hampaan pituus on 3 mm tai lyhyempi. Ketju on vaihdettava uuteen.
  - Lastun paksuuden määrää syvydensäätöhampaan (pyöreä kärki) ja leikkuureunan välinen etäisyys.
  - Paras sahaustulos saadaan, kun leikkuuterän ja syvydensäätöhampaan välinen etäisyys on seuraava.
    - Ketjuterä 91PX : 0,65 mm
    - Ketjuterä 80TXL : 0,65 mm
- **Kuva38**
- Kaikkien hampaiden teroituskulman täytyy olla 30 astetta. Kulmapoikkeamat saavat ketjun pyörimään epätasaisesti, lisäävät kulumista ja aiheuttavat ketjujen katkeamisen.
  - Käytä sopivaa pyöreää viilaa, jotta oikea teroituskulma pidetään hampaassa.
    - Ketjuterä 91PX : 55°:ssa
    - Ketjuterä 80TXL : 55°
- Viila ja viilan opaste**
- Käytä ketjun teroitukseen pyöreää erikoisviilaa (lisävaruste). Tavanomaiset pyöreät viilat eivät sovi tähän tarkoitukseen.
  - Pyöreän viilan läpimitat kullekin ketjulle ovat seuraavat:
    - Ketjuterä 91PX : 4,0 mm
    - Ketjuterä 80TXL : 4,0 mm
  - Viila saa ottaa hampaaseen vain eteenpäin suuntautuvalla vedolla. Nosta viila irti hampaasta paluuedolla.

- Teroita lyhyin hammas ensimmäiseksi. Tämän hampaan pituutta käytetään sitten ketjun muiden hampaiden mittana.
- Ohjaa viilaa kuvan osoittamalla tavalla.  
► **Kuva39:** 1. Viila 2. Teräketju
- Viilan ohjaaminen helpottuu, jos käytetään viilaohjainta (lisävaruste). Oikea 30° teroituskulma on merkitty viilaohjaimen (kohdista merkinnät niin, että ne ovat yksisuuntaisia teräketjun kanssa). Ohjain rajoittaa myös tunkeumasyvyyden oikeaksi (4/5 viilan halkaisijasta).  
► **Kuva40:** 1. Viilan pidike
- Teroituksen jälkeen tarkista syvydensäätöhampaan korkeus ketjunmittaustyökalulla (lisävaruste).  
► **Kuva41**
- Poista kaikki, myös aivan vähäinen ulkoneva aines erikoislattaviilalla (lisävaruste).
- Pyöristä syvydensäätöhampaan etuosa uudelleen.

## Terälevyn puhdistus

Lastut ja sahanpuru kerääntyvät terälevyvuuraan. Ne tukkivat sen ja heikentävät öljyn virtauksen. Puhdista saha aina lastuista ja sahanpuruista sahan teroituksen tai ketjunvaihdon yhteydessä.

► **Kuva42**

## Hammaspyörän kotelon puhdistaminen

Lastut ja sahanpuru kerääntyvät hammaspyörän koteloon. Irrota hammaspyörän kotelo ja teräketju työkalusta ja poista lastut ja sahanpuru.

► **Kuva43**

## Öljynpäästöaukon puhdistus

Öljynpäästöaukkoon saattaa kerääntyä käytön aikana hienojakoista pölyä tai muita hiukkasia. Öljysuodattimessa kerääntynyt vähäinen pöly tai muut hiukkaset saattavat heikentää päästövirtaa ja aiheuttaa sahalle riittämättömän voitelun. Jos terälevyn kärkeen ei tule riittävästi öljyä, puhdista öljynpäästöaukko seuraavasti.

1. Poista hammaspyörän kotelo ja ketju työkalusta.
2. Poista hienojakoinen pöly tai hiukkaset tasapäaruuvitaltalla tai vastaavalla.

► **Kuva44:** 1. Ristipäaruuvitalta 2. Öljynpoistoaukko

3. Kiinnitä akkupaketti ketjusahaan. Vedä liipaisin-kytkimestä, jotta kerääntynyt pöly tai muut hiukkaset voisivat virrata pois öljynpäästöaukosta ketjuöljyn vapauttaen.
4. Irrota akkupaketti työkalusta. Asenna uudelleen hammaspyörän kotelo ja ketju työkaluun.

## Hammaspyörän vaihtaminen

**▲HUOMIO:** Kulunut hammaspyörä vahingoittaa uutta teräketjua. Tässä tapauksessa vaihda kulunut hammaspyörä.

Ennen uuden ketjun kiinnitystä tarkista hammaspyörän kunto.

► **Kuva45:** 1. Hammaspyörä 2. Kuluvat alueet

Vaihda myös lukitusrengas hammaspyörän vaihdon yhteydessä.

► **Kuva46:** 1. Lukitusrengas 2. Hammaspyörä

**HUOMAUTUS:** Varmista, että hammaspyörä asennetaan kuvan esittämällä tavalla.

## Työkalun säilyttäminen

1. Puhdista ketjusaha ennen säilytystä. Poista kaikki lastut ja sahanpurut ketjusahasta hammaspyörän suojuksen poistamisen jälkeen.
2. Kun olet puhdistanut sahan, käytä sitä ilman kuormaa, jotta öljy levittyy terälevyyn ja ketjuun.
3. Aseta terälevyn suojus paikalleen terälevyn päälle.
4. Tyhjennä öljysäiliö.

## Määräaikaishuolto

Tekemällä seuraavat huoltotoimenpiteet säännöllisesti voit varmistaa pitkän käyttöiän, ehkäistä vikoja ja varmistaa turvalaitteiden moitteettoman toiminnan. Takuu edellyttää, että huollot tehdään säännöllisesti ja ohjeiden mukaan. Huollon laiminlyönti voi aiheuttaa tapaturmavaaran! Ketjusahan käyttäjä ei saa tehdä muita kuin tässä oppaassa kuvattuja huoltotoimia. Kaikki tällaiset huoltotyöt on teetettävä valtuutetussa huoltoliikkeessä.

Tarkistettava kohde / käyttöaika		Ennen käyttöä	Päivittäin	Kerran viikossa	3 kuukauden välein	Kerran vuodessa	Ennen varastointia
Ketjusaha	Tarkastus.	✓	-	-	-	-	-
	Puhdistus.	-	✓	-	-	-	-
	Ota yhteys valtuutettuun huoltoliikkeeseen.	-	-	-	-	✓	✓
Teräketju	Tarkastus.	✓	-	-	-	-	-
	Teroita tarvittaessa.	-	-	-	-	-	✓
Terälevy	Tarkastus.	✓	✓	-	-	-	-
	Irrota ketjusahasta.	-	-	-	-	-	✓
Ketjujarru	Tarkista toiminta.	✓	-	-	-	-	-
	Tarkistuta se säännöllisesti valtuutetussa huoltoliikkeessä.	-	-	-	✓	-	-
Ketjun voitelu	Tarkista öljynsyöttömäärä.	✓	-	-	-	-	-
Liipaisinkytkin	Tarkastus.	✓	-	-	-	-	-
Lukitusvipu	Tarkastus.	✓	-	-	-	-	-
Öljysäiliön korkki	Tarkista kireys.	✓	-	-	-	-	-
Ketjusieppo	Tarkastus.	-	-	✓	-	-	-
Ruuvit ja mutterit	Tarkastus.	-	-	✓	-	-	-

# VIANMÄÄRITYS

Tarkista laite ensin itse, ennen kuin viet sen korjattavaksi. Jos ongelmaan ei löydy ratkaisua käyttöoppaasta, älä kuitenkaan yritä purkaa työkalua osiin. Ota sen sijaan yhteyttä Makita-huoltoliikkeeseen. Käytä korjaamiseen aina alkuperäisiä Makita-varaosia.

Toimintahäiriö	Syy	Toimenpide
Ketjusaha ei käynnisty.	Akkupakettia ei ole asennettu.	Asenna ladattu akkupaketti paikalleen.
	Akkuongelma (alijännite).	Lataa akkupaketti. Jos lataaminen ei toimi, vaihda akkupaketti.
	Päävirtakytkin pois päältä.	Ketjusaha sammuu automaattisesti, jos sitä ei käytetä tietyn ajan kuluessa. Kytke päävirtakytkin päälle uudelleen.
Saha ei toimi.	Ketjujarru kytketty.	Vapauta ketjujarru.
Moottori pysähtyy lyhyen käytön jälkeen.	Akun varaustila on alhainen.	Lataa akkupaketti. Jos lataaminen ei toimi, vaihda akkupaketti.
Ketjussa ei ole öljyä.	Öljysäiliö tyhjä.	Täytä öljysäiliö.
	Öljyn syöttöura on likainen.	Puhdista ura.
	Heikko öljynsyöttö.	Säädä öljynsyöttöä säätöruuvilla.
Ketjusaha ei saavuta suurinta kierroslukua.	Akkupaketti on asennettu väärin.	Asenna akkupaketti tämän käyttöohjeen ohjeiden mukaan.
	Akun teho laskee.	Lataa akkupaketti. Jos lataaminen ei toimi tehokkaasti, vaihda akkupakettia.
	Vetojärjestelmä ei toimi oikein.	Pyydä valtuutettua paikallista huoltoliikettä korjaamaan laite.
Päävirran merkkivalo vilkkuu vihreänä.	Liipaisinkytkintä painettu käyttämättömässä tilassa.	Paina liipaisinkytkintä kun päävirtakytkin on kytketty päälle ja ketjujarru vapautettu.
Ketju ei pysähdy vaikka ketjujarru aktiivoidaan: <b>Pysäytä työkalu heti!</b>	Jarrunauha on kulunut.	Pyydä valtuutettua paikallista huoltoliikettä korjaamaan laite.
Epänormaali tärinä: <b>Pysäytä työkalu heti!</b>	Löysää terälevyä tai teräketjua.	Säädä terälevyä ja teräketjun kireyttä.
	Työkalun toimintahäiriö.	Pyydä valtuutettua paikallista huoltoliikettä korjaamaan laite.
Teräketjun asentaminen ei onnistu.	Teräketjun ja hammaspyörän yhdistelmä ei ole oikea.	Tarkista oikeat teräketjun ja hammaspyörän yhdistelmät teknisten tietojen osiosta ja käytä oikeaa yhdistelmää.

## LISÄVARUSTEET

**⚠️HUOMIO:** Seuraavia lisävarusteita tai laitteita suositellaan käytettäväksi tässä ohjeessa kuvatun Makita-työkalun kanssa. Muiden lisävarusteiden tai laitteiden käyttö voi aiheuttaa henkilövahinkoja. Käytä lisävarusteita ja -laitteita vain niiden käyttötarkoituksen mukaisesti.

Jos tarvitset apua tai yksityiskohtaisempia tietoja seuraavista lisävarusteista, ota yhteys paikalliseen Makitan huoltoon.

- Teräketju
- Terälevy
- Terälevyn suojuus
- Viila
- Työkalulaukku
- Aito Makita-akku ja -laturi

**⚠️VAROITUS:** Jos ostat muunpituisen kuin vakioterälevyn, osta myös siihen sopiva terälevyn suoja. Sen on sovittava terälevyn ja peitettävä se kokonaan.

**HUOMAA:** Jotkin luettelossa mainitut varusteet voivat sisältyä työkalun toimitukseen vakiovarusteina. Ne voivat vaihdella maittain.

## SPECIFIKATIONER

Model:		UC014G	UC015G	UC016G	UC017G
Samlet længde (uden sværd)		445 mm			
Nominel spænding		D.C. 36 V - 40 V maks.			
Nettovægt	*1	4,5 kg			
	*2	6,2 - 6,9 kg			
Længde af standardsværd		300 mm	350 mm	400 mm	450 mm
Anbefalet sværdlængde		300 - 450 mm			
Anvendelig savkædetype (se tabellen nedenfor)		91PX 80TXL			
Kædehjul (91PX)	Antal tænder	6			
	Tandafstand	3/8"			
Kædehjul (80TXL)	Antal tænder	7			
	Tandafstand	0,325"			
Kædehastighed		0 - 25,5 m/s (0 - 1.530 m/min)			
Volumen af kædeolietank		260 cm <sup>3</sup>			
Beskyttelsesgrad		IPX4			

• På grund af vores kontinuerlige forsknings- og udviklingsprogrammer kan hosstående specifikationer blive ændret uden varsel.

• Specifikationer kan variere fra land til land.

\*1: Vægt uden savkæde, sværd, sværdbeskytter, olie og akku(er).

\*2: Den letteste og tungeste kombination af vægt i henhold til EPTA-proceduren 01/2014. Vægten kan variere afhængigt af tilbehøret, inklusive akkuen/akkuer.

### Kombination af savkæde, sværd og kædehjul

Savkædetype		91PX			
Antal drivled		46	52	56	62
Sværd	Længde af sværd	300 mm	350 mm	400 mm	450 mm
	Snitlængde	268 mm	324 mm	361 mm	418 mm
	Tandafstand	3/8"			
	Afstand	1,3 mm			
	Type	Kædehjulspids			
Kædehjul	Antal tænder	6			
	Tandafstand	3/8"			

Savkædetype		80TXL			
Antal drivled		51	59	64	70
Sværd	Længde af sværd	300 mm	350 mm	400 mm	450 mm
	Snitlængde	259 mm	325 mm	366 mm	416 mm
	Tandafstand	0,325"			
	Afstand	1,1 mm			
	Type	Kædehjulspids			
Kædehjul	Antal tænder	7			
	Tandafstand	0,325"			

**ADVARSEL:** Brug en passende kombination af sværd og savkæde. I modsat fald kan det medføre tilskadekomst.

## Anvendelig akku og oplader

Akku	BL4040 / BL4050F* * : Anbefalet batteri
Oplader	DC40RA / DC40RB / DC40RC

- Nogle af de akkuer og opladere, der er angivet ovenfor, er muligvis ikke tilgængelige, afhængigt af hvilket område du bor i.

**⚠ ADVARSEL: Brug kun de akkuer og opladere, der er angivet ovenfor. Brug af andre akkuer og opladere kan medføre personskaade og/eller brand.**




## Anbefalet ledningstilsluttet strømforsyningsskilde

Bærbar strømforsyning	PDC01
-----------------------	-------

- Den eller de ovenfor anførte ledningstilsluttede strømforsyningsskilder er muligvis ikke tilgængelige, afhængigt af hvilket område du bor i.
- Inden du bruger den ledningstilsluttede strømforsyningsskilde, skal du læse instruktionen og advarselsmarkeringerne på dem.

### Symboler

Følgende viser de symboler, der muligvis anvendes til udstyret. Sørg for, at du forstår deres betydning før brugen.

	Læs brugsanvisningen.
	Bær sikkerhedsbriller.
	Bær høreværn.
	Brug hjelm, beskyttelsesbriller og høreværn.
	Maks. tilladt skærelængde
	Brug altid begge hænder, når du betjener kædesaven.
	Pas på tilbageslag af kædesaven og undgå kontakt med sværdets spids.
	Retning af kædens bevægelse
	Justering af savkædeolie
 Ni-MH Li-ion	Kun for lande inden for EU På grund af tilstedeværelsen af farlige komponenter i udstyret kan affald af elektrisk og elektronisk udstyr, akkumulatører og batterier have en negativ indvirkning på miljøet og folkesundheden. Bortskaf ikke elektriske og elektroniske apparater eller batterier sammen med husholdningsaffald! I overensstemmelse med EF-direktiv om affaldshåndtering af elektrisk og elektronisk udstyr og om akkumulatører og batterier og affaldsakkumulatører og -batterier, og i overensstemmelse med national lovgivning, skal brugt elektrisk udstyr, batterier og akkumulatører opbevares separat og leveres til et separat indsamlingssted for kommunalt affald, der er etableret i henhold til bestemmelserne om miljøbeskyttelse. Dette er angivet ved symbolet på den krydsede skraldespand, der er placeret på udstyret.



Garanteret lydeffektniveau i henhold til EU-direktivet om maskiner til udendørs brug.



Lydeffektniveau i henhold til Australiens NSW forordning om støjemission

### Tilsigtet anvendelse

Denne kædesav er beregnet til at save i træ.

### Støj

Det typiske A-vægtede støjniveau bestemt i overensstemmelse med EN62841-4-1:

#### Model UC014G

Lydtryksniveau ( $L_{pA}$ ) : 91 dB (A)  
Lydeffektniveau ( $L_{WA}$ ) : 102 dB (A)  
Usikkerhed (K): 3 dB (A)

#### Model UC015G

Lydtryksniveau ( $L_{pA}$ ) : 91 dB (A)  
Lydeffektniveau ( $L_{WA}$ ) : 102 dB (A)  
Usikkerhed (K): 3 dB (A)

#### Model UC016G

Lydtryksniveau ( $L_{pA}$ ) : 91 dB (A)  
Lydeffektniveau ( $L_{WA}$ ) : 102 dB (A)  
Usikkerhed (K): 3 dB (A)

#### Model UC017G

Lydtryksniveau ( $L_{pA}$ ) : 91 dB (A)  
Lydeffektniveau ( $L_{WA}$ ) : 102 dB (A)  
Usikkerhed (K): 3 dB (A)

**BEMÆRK:** De(n) angivne støjemissionsværdi(er) er målt i overensstemmelse med en standardtestmetode og kan anvendes til at sammenligne en maskine med en anden.

**BEMÆRK:** De(n) angivne støjemissionsværdi(er) kan også anvendes i en præliminær eksponeringsvurdering.

**⚠ ADVARSEL:** Bær høreværn.

**⚠ ADVARSEL:** Støjemissionen under den faktiske anvendelse af maskinen kan være forskellig fra de(n) angivne værdi(er), afhængigt af den måde hvorpå maskinen anvendes, især den type arbejdsemne der behandles.

**⚠ ADVARSEL:** Sørg for at identificere de sikkerhedsforskrifter til beskyttelse af operatøren, som er baseret på en vurdering af eksponering under de faktiske brugsforhold (med hensyntagen til alle dele i brugscyklussen, f.eks. de gange, hvor maskinen er slukket, og når den kører i tomgang i tilgift til afbrydertiden).

## Vibration

Vibrationens totalværdi (tre-aksial vektorsum) bestemt i overensstemmelse med EN62841-4-1:

### Model UC014G

Arbejdstilstand: skæring i træ

Vibrationsemission ( $a_{h,w}$ ): 5,0 m/s<sup>2</sup>

Usikkerhed (K): 1,5 m/s<sup>2</sup>

### Model UC015G

Arbejdstilstand: skæring i træ

Vibrationsemission ( $a_{h,w}$ ): 5,0 m/s<sup>2</sup>

Usikkerhed (K): 1,5 m/s<sup>2</sup>

### Model UC016G

Arbejdstilstand: skæring i træ

Vibrationsemission ( $a_{h,w}$ ): 5,0 m/s<sup>2</sup>

Usikkerhed (K): 1,5 m/s<sup>2</sup>

### Model UC017G

Arbejdstilstand: skæring i træ

Vibrationsemission ( $a_{h,w}$ ): 5,0 m/s<sup>2</sup>

Usikkerhed (K): 1,5 m/s<sup>2</sup>

**BEMÆRK:** De(n) angivne totalværdi(er) for vibration er målt i overensstemmelse med en standardtestmetode og kan anvendes til at sammenligne en maskine med en anden.

**BEMÆRK:** De(n) angivne totalværdi(er) for vibration kan også anvendes i en præliminær eksponeringsvurdering.

**⚠ ADVARSEL:** Vibrationsemissionen under den faktiske anvendelse af maskinen kan være forskellig fra de(n) angivne værdi(er), afhængigt af den måde hvorpå maskinen anvendes, især den type arbejdsemne der behandles.

**⚠ ADVARSEL:** Sørg for at identificere de sikkerhedsforskrifter til beskyttelse af operatøren, som er baseret på en vurdering af eksponering under de faktiske brugsforhold (med hensyntagen til alle dele i brugscyklussen, f.eks. de gange, hvor maskinen er slukket, og når den kører i tomgang i tilgift til afbrydertiden).

## EF-overensstemmelseserklæring

### Kun for lande i Europa

EF-overensstemmelseserklæringen er inkluderet som Bilag A i denne brugsanvisning.

## SIKKERHEDSADVARSLER

### Almindelige sikkerhedsregler for el-værktøj

**⚠ ADVARSEL:** Læs alle de sikkerhedsadvarsler, instruktioner, illustrationer og specifikationer, der følger med denne maskine. Forsømmelse af at overholde alle nedenstående instruktioner kan medføre elektrisk stød, brand og/eller alvorlig personskade.

### Gem alle advarsler og instruktioner til fremtidig reference.

Ordet "el-værktøj" i advarslerne henviser til det netforsynede (netledning) el-værktøj eller batteriforsynede (akku) el-værktøj.

### Generelle sikkerhedsadvarsler for kædesav

- Hold alle kropsdele på god afstand af savkæden, når kædesaven er i gang. Sørg inden kædesaven startes for, at savkæden ikke er i kontakt med noget.** Et øjeblik uopmærksomhed under anvendelse af kædesaven kan bevirke, at dit tøj eller dine kropsdele kommer i kontakt med savkæden.
- Hold altid kædesaven med din højre hånd på det bageste håndtag og din venstre hånd på det forreste håndtag.** Hvis du holder i kædesaven med omvendt placering af hænderne, øges risikoen for tilskadekomst, hvorfor dette aldrig bør gøres.
- Hold kun i kædesaven på de isolerede grebflader, da savkæden kan komme i berøring med skjulte ledninger.** Savkæder, der kommer i berøring med en strømførende ledning, kan gøre eksponerede metaldele på kædesaven strømførende og kan give operatøren et elektrisk stød.
- Bær øjenværn. Anvendelse af yderligere beskyttelsesudstyr til hørelse, hoved, hænder, ben og fødder anbefales.** Eget beskyttelsesudstyr vil mindske personskader som følge af flyvende rester eller utilsigtet kontakt med savkæden.
- Anvend ikke en kædesav i et træ, på en stige, fra taget eller ustabil støtte.** Anvendelse af en kædesav på denne måde kan medføre alvorlig personskade.
- Oprethold altid ordentligt fodfæste, og anvend kun kædesaven, når du står på en fast, sikker og jævn overflade.** Glatte eller ustabile overflader kan medføre, at du mister balancen eller kontrollen over kædesaven.
- Når du skærer en gren, der er i spænd, skal du være opmærksom på tilbageslag.** Når spændingen i træfibrene frigøres, kan grenen i spænd ramme operatøren og/eller slynge kædesaven ud af kontrol.
- Udvis den største forsigtighed, når du skærer krat og unge træer.** Det tynde materiale kan blive fanget i savkæden og blive slynget mod dig eller kaste dig ud af balance.



9. **Bær kædesaven i det forreste håndtag med kædesaven slukket og væk fra kroppen. Når kædesaven transporteres eller opbevares, skal du altid montere sværdbeskytteren.** Korrekt håndtering af kædesaven vil reducere sandsynligheden for utilsigtet berøring med den bevægelige savkæde.
10. **Følg instruktionerne for smøring, kædespænding og udskiftning af sværdet og kæden.** En ukorrekt spændt eller smurt kæde kan enten knække kæden eller øge risikoen for tilbageslag.
11. **Skær kun i træ. Anvend ikke kædesaven til andre formål end dem, den er beregnet til. For eksempel: Anvend ikke kædesaven til at skære metal, plast, murværk eller andre ikke-træbaserede byggematerialer.** Anvendelse af kædesaven til andre anvendelsesformål end de tilsigtede kan resultere i en farlig situation.
12. **Forsøg ikke at fælde et træ, før du har en forståelse for risiciene, og hvordan du undgår dem.** Operatøren eller tilskuere kan komme alvorligt til skade under fældning af et træ.
13. **Årsager til tilbageslag, og hvordan operatøren kan forhindre det:**  
Tilbageslag kan opstå, hvis næsen eller spidsen af sværdet berører en genstand, eller hvis træet lukker sammen og klemmer savkæden fast i snittet. Spidskontakt kan i nogle tilfælde forårsage en pludselig baglæns reaktion, hvorved sværdet trykkes op og tilbage mod operatøren. Hvis savkæden klemmes langs sværdets over-side, kan det skubbe sværdet hurtigt tilbage mod operatøren. Begge disse reaktioner kan bevirke, at du mister kontrollen over saven, hvilket kan resultere i alvorlig personskade. Undlad at stole udelukkende på de sikkerhedsanordninger, der er indbygget i saven. Som bruger af en kædesav bør du træffe flere forholdsregler for at undgå ulykker og personskader under skærearbejdet. Tilbageslag er et resultat af forkert brug af kædesaven og/eller ukorrekte driftsprocedurer eller -betingelser og kan undgås ved at træffe de nødvendige forholdsregler som angivet nedenfor:
  - **Hold godt fast i kædesaven med tommelfingre og de andre fingre omkring savens håndtag og med begge hænder på saven, og placer kroppen og armen således, at tilbageslag modvirkes.** Tilbageslag kan forhindres af operatøren, hvis de rigtige forholdsregler tages. Slip ikke kædesaven.

► **Fig. 1**

- **Stræk dig ikke for langt, og skær ikke over skulderhøjde.** Dette bidrager til at forebygge utilsigtet spidskontakt og muliggør en bedre beherskelse af kædesaven i uventede situationer.
- **Anvend kun de udskiftningsværd og -savkæder, der er angivet af producenten.** Forkerte udskiftningsværd og -savkæder kan forårsage brud på kæden og/eller tilbageslag.
- **Følg fabrikantens anvisninger for slibning og vedligeholdelse af savkæden.** Mindskning af dybdemålerhøjden kan føre til øget tilbageslag.

14. **Følg alle instruktioner, når du fjerner fastklemt materiale, opbevarer eller servicerer kædesaven. Sørg for, at kontakten er slukket, og at batteripakken er fjernet.** Uventet aktivering af kædesaven under afhjælpning af fastklemt materiale eller service kan resultere i alvorlig personskade.

## Yderligere sikkerhedsinstruktioner

### Personligt beskyttelsesudstyr

1. Beklædningen skal være tætsiddende, men må ikke hindre mobiliteten.
2. Bær følgende beskyttelsesbeklædning under arbejdet:
  - En testet sikkerhedshjelm, hvis der er fare for nedfaldende grene eller lignende;
  - En ansigtsmaske eller beskyttelsesbriller;
  - Egnede høreværn (ørekopper, tilpassede eller formbare ørepropper). Oktav brand-analyse efter anmodning.
  - Faste sikkerhedshandsker af læder;
  - Lange bukser fremstillet af stærkt stof;
  - Beskyttelsesbukser fremstillet af skærefast stof;
  - Sikkerhedssko eller -støvler med skridsikre såler, stålsnuder og skærefast stofforing;
  - En åndedrætsmaske, når der udføres arbejde, der frembringer støv (f.eks. savning af tørt træ).

### Drift

1. **Kontroller inden arbejdet påbegyndes, at kædesaven er i korrekt arbejdstilstand, og at dens tilstand opfylder betingelserne i sikkerhedsregulativerne. Kontroller specielt at:**
  - Kædebremsen fungerer ordentligt,
  - Stopbremsen fungerer ordentligt,
  - Sværdet og kædehjulsdækslet er korrekt monteret,
  - Kæden er blevet skærpet og spændt i overensstemmelse med regulativerne.
2. **Start ikke kædesaven med kædedækslet monteret.** Hvis kædesaven startes med kædedækslet monteret, kan det bevirke, at kædedækslet slynges fremad med tilskadecomst og skade på genstande omkring operatøren til følge.
3. **Vær opmærksom på dit fodfæste, når du bruger maskinen på mudret jord, en våd skråning eller et glat sted.**
4. **Undlad at nedsænke maskinen i en vandpyt.**
5. **Efterlad ikke maskinen uden opsyn udendørs i regnvejr.**

### Elektrisk sikkerhed og batterisikkerhed

1. **Undgå farlige miljøer. Brug ikke maskinen på fugtige eller våde steder, og udsæt den ikke for regn.** Hvis der kommer vand ind i maskinen, forøger det risikoen for elektrisk stød.
2. **Undlad at kaste batterierne i åben ild.** Cellen kan eksplodere. Tjek de lokale regler for eventuelle særlige instruktioner vedrørende bortskaffelse.
3. **Undlad at åbne eller mishandle batterierne.** Lækket elektrolyt er ætsende og kan medføre skader på øjnene eller huden. Den kan være giftig, hvis den indtages.

4. Undlad at oplade batteriet i regnvejlr eller under vde forhold.
5. Oplad ikke batteriet uden dre.
6. Hndter ikke oplader, herunder opladerstik, og opladerterminaler med vde hnder.
7. Undlad at udskifte batteriet i regnvejlr.
8. Undlad at udskifte batteriet med vde hnder.
9. Undlad at efterlade batteriet i regnvejlr eller oplade, anvende eller opbevare batteriet p et fugtigt eller vdt sted.
10. Undlad at fugte batteriets terminal med vske ssom vand, og batteriet m ikke nedsnkes i vske. Hvis terminalen bliver vd, eller der trnger vske ind i batteriet, kan batteriet kortsluttes, og der er risiko for overophedning, brand eller eksplosion.
11. Nr batteriet er blevet afmonteret fra maskinen eller opladeren, skal du srge for at fastgre batteridkslet til batteriet og opbevare det p et trt sted.
12. Hvis akkuen bliver vd, skal du aftappe vandet indeni og derefter trre den af med en tr klud. Tr akkuen helt p et trt sted fr brug.

#### Vedligeholdelse og opbevaring

1. Undg direkte sollys og regn ved opbevaring af maskinen, og opbevar den p et sted, hvor det ikke bliver varmt eller fugtigt.

## GEM DENNE BRUGSANVISNING.

**⚠ ADVARSEL:** LAD IKKE bekvemmelighed eller kendskab til produktet (opnet gennem gentagen brug) forhindre, at sikkerhedsforskrifterne for produktet nje overholdes. MISBRUG eller forsmmelse af at flge de i denne brugsvejledning givne sikkerhedsforskrifter kan fre til, at De kommer alvorligt til skade.

### Vigtige sikkerhedsinstruktioner for akkuen

1. Ls alle instruktioner og advarselmrkater p (1) akku-opladeren, (2) akkuen og (3) produktet, som anvender akku.
2. Adskil eller ndr ikke akkuen. Det kan muligvis resultere i en brand, overdreven varme eller eksplosion.
3. Hold straks op med anvendelsen, hvis brugstiden er blevet strkt afkortet. Fortsat anvendelse kan resultere i risiko for overophedning, forbrndinger og endog eksplosion.
4. Hvis De har fet elektrolytvske i jnene, skal De straks skylle den ud med rent vand og derefter jeblikkeligt sge lgehjlp. I modsat fald kan De miste synet.
5. Vr ppasselig med ikke at komme til at kortslutte akkuen:
  - (1) Rr ikke ved terminalerne med noget ledende materiale.
  - (2) Undg at opbevare akkuen i en beholder sammen med andre genstande af metal, for eksempel sm, mnter og lignende.
  - (3) Udst ikke akkuen for vand eller regn.

- Kortslutning af akkuen kan forrsage en kraftig gning af strmmen, overophedning, mulige forbrndinger og endog vrktjstop.
6. Opbevar og brug ikke maskinen og akkuen p steder, hvor temperaturen muligvis kan n eller overstige 50 °C.
7. Lad vre med at brnde akkuen, selv ikke i tilflde, hvor den har lidt alvorlig skade eller er fuldstndig udtjent. Akkuen kan eksplodere, hvis man forsger at brnde den.
8. Sl ikke sm i, skr ikke i, knus, kast, tab ikke akkuen og std ikke akkuen mod en hrd genstand. Sdan adfrd kan muligvis resultere i en brand, overdreven varme eller eksplosion.
9. Anvend ikke en beskadiget akku.
10. De indbyggede litium-ion-batterier er underlagt lovkrav vedrrende farligt gods. Ved kommerciel transport, f.eks. af tredjeparts transportselskaber, skal srlige krav til forpakning og mrkning overholdes. Ved forberedelse af udstyret til forsendelse skal du kontakte en ekspert i farligt gods. Overhold ogs eventuel mere detaljeret national lovgivning. Tape eller tildk bne kontakter, og pak batteriet p en mde, s det ikke kan flytte sig rundt i pakningen.
11. Nr akkuen bortskaffes, skal du fjerne den fra maskinen og bortskaffe den p et sikkert sted. Flg de lokale love vedrrende bortskaffelsen af batterier.
12. Brug kun batterierne med de produkter, som Makita specificerer. Hvis batterierne installeres i ikke-kompatible produkter, kan det medfre brand, kraftig varme, eksplosion eller udsivning af elektrolyt.
13. Hvis maskinen ikke skal bruges i lngere tid ad gangen, skal du fjerne batteriet fra maskinen.
14. Akkuen kan muligvis under og efter brug vre varm, hvilket kan forrsage forbrndinger eller lavtemperaturforbrndinger. Vr ppasselig med hndtering af varme akkuer.
15. Rr ikke terminalen p maskinen straks efter brug, da den bliver varm nok til at forrsage forbrndinger.
16. Srg for, at spner, stv eller jord ikke stter sig fast i akkuens terminaler, huller og riller. Det kan forrsage opvarmning, antndelse, sprngning og funktionsfejl i maskinen eller akkuen, hvilket kan medfre forbrndinger eller personskade.
17. Medmindre maskinen understtter brugen i nrheden af elektriske hjbspndingsledninger, skal du ikke anvende akkuen i nrheden af elektriske hjbspndingsledninger. Det kan muligvis medfre funktionsfejl p eller nedbrud af maskinen eller akkuen.
18. Opbevar batteriet utilgngeligt for brn.

## GEM DENNE BRUGSANVISNING.

**⚠ FORSIGTIG:** Brug kun originale batterier fra Makita. Brug af uoriginale Makita-batterier, eller batterier som er blevet ndret, kan muligvis medfre brud p batteriet, hvilket kan forrsage brand, personskade eller beskadigelse. Det ugyldiggr ogs Makita-garantien for Makita-maskinen og opladeren.

## Tips til opnåelse af maksimal akku-levetid

1. Oplad akkuen, inden den er helt afladet. Stop altid værktøjet, og oplad akkuen, hvis De bemærker, at værktøjeffekten er aftagende.
2. Genoplad aldrig en fuldt opladet akku. Overoplading vil afkorte akkuens levetid.

3. Oplad akkuen ved stuetemperatur ved 10 °C - 40 °C. Lad altid en varm akku få tid til at køle af, inden den oplades.
4. Når du ikke anvender akkuen, skal du fjerne den fra maskinen eller opladeren.
5. Oplad akkuen, hvis De ikke skal bruge den i længere tid (mere end seks måneder).

## BESKRIVELSE AF DELENE

► Fig.2

1	Akku	2	Frontkappe	3	Arm
4	Sværd	5	Savkæde	6	Justeringsdrejknop
7	Hovedstrømlampe	8	Hovedafbryder	9	Låsehåndtag
10	Bageste håndtag	11	Afbryderknop	12	Forreste håndtag
13	Olietankdæksel	14	Sværdbeskytter	15	Justeringskrue (til oliepumpe)
16	Kædefanger	-	-	-	-

## FUNKTIONSBESKRIVELSE

**⚠FORSIGTIG:** Sørg altid for at maskinen er slukket, og at akkuen er taget ud, før der udføres justering eller kontrol af funktioner på maskinen.

### Isætning eller fjernelse af akkuen

**⚠FORSIGTIG:** Sluk altid for værktøjet, før De monterer eller fjerner akkuen.

**⚠FORSIGTIG:** Hold værktøjet og akkuen fast ved montering eller fjernelse af akkuen. Hvis De ikke holder værktøjet og akkuen fast, kan de glide ud af hænderne på Dem og forårsage beskadigelse af værktøjet og akkuen eller personskade.

► Fig.3: 1. Rød indikator 2. Knap 3. Akku

Akkuen fjernes ved, at De trækker den ud af værktøjet, idet De skyder knappen på forsiden af akkuen i stilling.

For at montere akkuen skal du justere tungen på akkuen med rillen i huset og skubbe den på plads. Indsæt den hele vejen, indtil den låses på plads med et lille klik. Hvis du kan se den røde indikator, som vist i figuren, er den ikke helt låst.

**⚠FORSIGTIG:** Monter altid akkuen helt, indtil den røde indikator ikke længere er synlig. Hvis dette ikke gøres, kan den falde ud af værktøjet ved et uheld, hvorved De selv eller personer i nærheden kan komme til skade.

**⚠FORSIGTIG:** Brug ikke magt ved montering af akkuen. Hvis akkuen ikke glider på plads uden problemer, betyder det, at den ikke sættes i på korrekt vis.

## Indikation af den resterende batteriladning

Tryk på kontrolknappen på akkuen for at få vist den resterende batteriladning. Indikatorlampen lyser i nogle sekunder.

► Fig.4: 1. Indikatorlamper 2. Kontrolknop

Indikatorlamper			Resterende ladning
Tændt	Slukket	Blinker	
■ ■ ■ ■			75% til 100%
■ ■ ■ □			50% til 75%
■ ■ □ □			25% til 50%
■ □ □ □			0% til 25%
▬ □ □ □			Genoplad batteriet.
■ ■ □ □			Der er muligvis fejl i batteriet.
□ □ ■ ■			

**BEMÆRK:** Afhængigt af brugsforholdene og den omgivende temperatur kan indikationen afvige en smule fra den faktiske ladning.

**BEMÆRK:** Den første indikatorlampe (længst mod venstre) vil blinke, når batteribeskyttelsessystemet aktiveres.

## Beskyttelsessystem til værktøj/ batteri

Maskinen er udstyret med et beskyttelsessystem til maskinen/batteriet. Dette system afbryder automatisk strømmen til motoren for at forlænge maskinens og batteriets levetid. Maskinen stopper automatisk under brugen, hvis maskinen eller batteriet udsættes for et af følgende forhold:

### Overbelastningsbeskyttelse

Hvis batteriet anvendes på en måde, der bevirker, at det forbruger en unormal mængde strøm, vil maskinen automatisk stoppe, og hovedstrømlampen blinker grønt. I denne situation skal du slukke for maskinen og stoppe den anvendelse, som bevirkede, at maskinen blev overbelastet. Start derefter maskinen igen ved at tænde for den.

### Beskyttelse mod overophedning

Hvis maskinen eller batteriet er overophedet, stopper maskinen automatisk, og hovedstrømlampen lyser rødt. Lad i så fald maskinen og batteriet køle ned, før der tændes for maskinen igen.

**BEMÆRK:** Under forhold med høje temperaturer vil beskyttelsen mod overophedning sandsynligvis fungere, og maskinen stopper automatisk.

### Beskyttelse mod overafledning

Hvis batteriladningen er for lav, stopper maskinen automatisk, og hovedstrømlampen blinker rødt. Tag i så fald batteriet ud af maskinen, og lad batteriet op.

### Beskyttelse mod andre årsager

Beskyttelsessystemet er også designet til andre årsager, der kan beskadige maskinen og gør det muligt for maskinen at stoppe automatisk. Træf alle følgende foranstaltninger for at fjerne årsagerne, når maskinen midlertidigt er blevet bragt til standsning eller stoppet i drift.

1. Sluk for maskinen, og tænd den igen for at genstarte.
2. Oplad batteriet/batterierne, eller udskift det/dem med genopladet/genopladede batteri/batterier.
3. Lad maskinen og batteriet/batterierne køle af.

Hvis der ikke kan findes nogen forbedring ved at genadde beskyttelsessystemet, skal det lokale Makita-servicecenter kontaktes.

**BEMÆRKNING:** Hvis maskinen stopper på grund af en årsag, der ikke er beskrevet ovenfor, henvises der til afsnittet om fejlfinding.

## Hovedafbryder

**⚠ ADVARSEL:** Sluk altid for hovedafbryderen, når maskinen ikke bruges.

Tryk på hovedafbryderen for at tænde for maskinen. Hovedstrømlampen lyser grønt. Tryk på hovedafbryderen igen for at slukke.

► **Fig.5:** 1. Hovedstrømlampe 2. Hovedafbryder

**BEMÆRK:** Hovedstrømlampen blinker grønt, hvis der trykkes på afbryderknappen under forhold, hvor maskinen ikke kan anvendes. Lampen blinker under et af følgende forhold.

- Hvis du tænder for hovedafbryderen, mens lås fra-håndtaget og afbryderknappen holdes nede.
- Hvis du trykker på afbryderknappen, mens kædebremsen er aktiveret.
- Hvis du slipper kædebremsen, mens lås fra-håndtaget holdes nede, og der trykkes på afbryderknappen.

**BEMÆRK:** Denne maskine har en funktion til automatisk slukning. For at undgå utilsigtet start slukker hovedafbryderen automatisk, når der ikke trykkes på afbryderknappen i en vis periode, efter at der tændes for hovedafbryderen.

## Afbryderbetjening

**⚠ ADVARSEL:** Af hensyn til din sikkerhed er maskinen forsynet med et låsehåndtag, der forhindrer, at maskinen starter ved et uheld. Brug **ALDRIG** maskinen, hvis den kører, når du trykker på afbryderknappen uden at trykke på låsehåndtaget. Indlever maskinen til vores autoriserede servicecenter til korrekt reparation, **FØR** den benyttes igen.

**⚠ ADVARSEL:** Brug **ALDRIG** tape til at fastgøre aflåsehåndtaget eller på anden måde omgå dets formål og funktion.

**⚠ FORSIGTIG:** Inden akkuen sættes i maskinen, bør De altid kontrollere, at afbryderknappen fungerer korrekt, og returnerer til "OFF"-positionen, når den slippes.

**BEMÆRKNING:** Tryk ikke hårdt på afbryderknappen uden at trykke på aflåsehåndtaget. Dette kan forårsage afbryderbeskadigelse.

For at forhindre, at der trykkes på afbryderknappen ved et uheld, er den forsynet med et lås fra-håndtag. Maskinen startes ved at trykke lås fra-håndtaget ned og trykke på afbryderknappen. Maskinens hastighed øges ved at øge trykket på afbryderknappen. Slip afbryderknappen for at stoppe.

► **Fig.6:** 1. Afbryderknop 2. Låsehåndtag

## Kontrol af kædebremsen

**⚠ FORSIGTIG:** Hold kædesaven med begge hænder, når du starter den. Hold det bageste håndtag med højre hånd og det forreste håndtag med venstre hånd. Sværdet og kæden må ikke være i berøring med nogen genstand.

**⚠ FORSIGTIG:** Hvis savkæden ikke stopper umiddelbart, når denne test udføres, må saven ikke under nogen omstændigheder anvendes. Kontakt vores autoriserede servicecenter.

1. Tryk først på låsehåndtaget, og tryk derefter på afbryderknappen. Savkæden starter øjeblikkeligt.
2. Skub frontkappen fremad med håndryggen. Kontroller, at savkæden stopper umiddelbart.

► **Fig.7:** 1. Frontkappe 2. Ulåst position 3. Låst position

## Kontrol af stopbremsen

**⚠️FORSIGTIG:** Hvis savkæden ikke stopper inden for ét sekund, når denne test udføres, skal du holde op med at bruge kædesaven og kontakte vores autoriserede servicecenter.

Lad kædesaven køre, og slip derefter afbryderknappen helt. Savkæden skal være helt stoppet inden for et sekund.

## Justering af kædesmøringen

Det er muligt at justere oliepumpens fremføringsforhold med justeringsskruen. Mængden af olie kan justeres med universalnøglen.

► **Fig.8:** 1. Justeringsskruer

## SAMLING

**⚠️FORSIGTIG:** Sørg altid for at maskinen er slukket, og at akkuen er taget ud, før der udføres noget arbejde på maskinen.

**⚠️FORSIGTIG:** Undlad at berøre savkæden med bare hænder. Bær altid beskyttelseshandsker, når du håndterer savkæden.

## Montering eller afmontering af savkæden

**⚠️FORSIGTIG:** Savkæden og sværdet er stadig varme lige efter brugen. Lad dem køle tilstrækkeligt af, inden der udføres noget arbejde på maskinen.

**⚠️FORSIGTIG:** Udfør proceduren med at montere eller fjerne savkæden på et rent sted uden savsmuld og lignende.

## Montering af savkæden

For at montere savkæden skal du udføre følgende trin:

1. Frigør kædebremsen ved at trække i frontkappen.
  2. Tryk armen op, mens der trykkes på kanten af den.
- **Fig.9:** 1. Arm

3. Drej armen mod uret, indtil kædehjulsdækslet går af.

► **Fig.10:** 1. Arm 2. Kædehjulsdæksel

4. Afmonter kædehjulsdækslet.
  5. Kontroller savkædens retning. Tilpas savkædens retning med retningen på mærket på kædesavens karosseri.
- **Fig.11:** 1. Mærke på kædesavens krop

6. Sæt den ene ende af savkæden på toppen af sværdet.
  7. Monter den anden ende af savkæden rundt om kædehjulet, og fastgør derefter sværdet til kædesavens krop.
- **Fig.12:** 1. Kædehjul

8. Drej justeringsdrejknappen i retningen "–" for at flytte justeringsspinden i pilens retning.

► **Fig.13:** 1. Justeringsdrejknep 2. Justeringspind

9. Anbring kædehjulsdækslet på kædesaven, således at justeringsspinden er placeret i det lille hul på sværdet.

► **Fig.14:** 1. Kædehjulsdæksel 2. Sværd 3. Hul

10. Drej armen helt med uret, og drej armen lidt tilbage for at holde den løs, når kædespændingen skal justeres.

11. Juster kædespændingen. Se afsnittet om justering af savkædens spænding for at få oplysninger om proceduren.

12. Drej armen med uret, indtil kædehjulsdækslet sidder fast, og returner den derefter til den oprindelige position.

► **Fig.15:** 1. Arm 2. Kædehjulsdæksel

## Afmontering af savkæden

For at fjerne savkæden skal du udføre følgende trin:

1. Frigør kædebremsen ved at trække i frontkappen.

2. Drej justeringsdrejknappen i retningen "–" for at udløse savkædens spænding.

► **Fig.16:** 1. Justeringsdrejknep

3. Tryk armen op, mens der trykkes på kanten af den.

► **Fig.17:** 1. Arm

4. Drej armen mod uret, indtil kædehjulsdækslet går af.

► **Fig.18:** 1. Arm 2. Kædehjulsdæksel

5. Fjern kædehjulsdækslet, og fjern derefter savkæden og sværdet fra kædesavens karosseri.

## Justering af savkædens spænding

**⚠️FORSIGTIG:** Udfør proceduren med at montere eller fjerne savkæden på et rent sted uden savsmuld og lignende.

**⚠️FORSIGTIG:** Stram ikke savkæden for meget. Ekstrem høj spænding af savkæden kan forårsage brud på savkæden, slitage af sværdet og brud på justeringsdrejknappen.

**⚠️FORSIGTIG:** En kæde, der er for løs, kan hoppe af sværdet, og den kan forårsage en ulykke med tilskadekomst.

Savkæden kan blive løs efter mange timers brug. Kontroller fra tid til anden savkædens spænding inden brug.

1. Tryk armen op, mens der trykkes på kanten af den.

► **Fig.19:** 1. Arm

2. Drej armen lidt mod uret for at løsne kædehjulsdækslet en smule.

► **Fig.20:** 1. Arm 2. Kædehjulsdæksel

3. Løft spidsen på sværdet en smule op, og juster kædens spænding. Drej justeringsdrejknappen i retningen "–" for at løsne, og drej den i retningen "+" for at stramme. Stram savkæden, indtil den nederste side af savkæden passer ind i sværdkanten som vist.

► **Fig.21:** 1. Justeringsdrejknep 2. Sværd 3. Savkæde

- Hold fortsat sværdet let, og stram kædehjulsdækslet. Sørg for, at savkæden ikke sidder løs på den nederste side.
- Sæt armen tilbage i den oprindelige position. Sørg for, at savkæden sidder tæt mod sværdets nederste side.

## ANVENDELSE

### Smøring

**⚠FORSIGTIG:** Undlad at anvende kædesaven, når tanken er tom. Påfyld olien i god tid, før tanken er tom.

**⚠FORSIGTIG:** Undgå, at olien kommer i kontakt med huden og øjne. Kontakt med øjnene forårsager irritation. I tilfælde af kontakt med øjnene skal det berørte øje straks skylles med rent vand og derefter straks søge læge.

**⚠FORSIGTIG:** Undlad at bruge spildolie. Spildolie indeholder kræftfremkaldende stoffer. De forurenende stoffer i spildolie forårsager øget slid på oliepumpen, sværdet og kæden. Spildolie er skadeligt for miljøet.

**BEMÆRKNING:** Når kædesaven anvendes for første gang, kan det tage op til to minutter for savkædeolien at begynde sin smørende virkning på savmekanismen. Kør saven uden belastning, indtil den gør det.

**BEMÆRKNING:** Når der påfyldes kædeolie for første gang, eller tanken fyldes op igen, efter at den er blevet helt tom, skal der påfyldes olie op til bundkanten af påfyldningsstudsens. Ellers kan olierforsyningen blive hindret.

**BEMÆRKNING:** Brug en savkædeolie, der udelukkende er beregnet til Makita-kædesave, eller tilsvarende olie, som fås i handelen.

**BEMÆRKNING:** Anvend aldrig olie, som indeholder snavs og partikler, eller flygtig olie.

**BEMÆRKNING:** Ved beskæring af træer skal der anvendes planteolie. Mineralsk olie kan skade træerne.

**BEMÆRKNING:** Kontroller inden skæringen, at det medfølgende olietankdæksel er skruet på plads.

Savkæden smøres automatisk, når maskinen er i brug. Kontroller regelmæssigt mængden af tilbageværende olie i olietanken gennem olieskueglasset.

► **Fig.22:** 1. Olietankdæksel 2. Olieskueglas

Udfør følgende trin for at påfylde olien:

- Rengør området omkring olietankdækslet grundigt for at forhindre snavs i at trænge ind i olietanken.
- Læg kædesavn på siden.
- Tryk på knappen på olietankdækslet, så knappen på den anden side står op, og afmonter derefter olietankdækslet ved at dreje det.

► **Fig.23:** 1. Olietankdæksel 2. Tilspænd 3. Løsn

- Fyld olietanken med olien. Den korrekte mængde olie er 260 ml.
- Skrue olietankdækslet godt tilbage på plads igen.
- Aftør eventuelt spildt kædeolie omhyggeligt.

**BEMÆRK:** Hvis det er svært at fjerne olietankdækslet, skal du sætte topnøglen ind i åbningen i olietankdækslet og derefter fjerne olietankdækslet ved at dreje det mod uret.

► **Fig.24:** 1. Åbning 2. Topnøgle

Hold kædesaven væk fra træet efter påfyldningen. Start den, og vent, indtil der er tilstrækkeligt smøremiddel på savkæden.

► **Fig.25**

### Arbejde med kædesaven

**⚠FORSIGTIG:** Førstegangsbrugeren bør som minimum øve sig på at skære bjælker på en savbuk eller et stativ.

**⚠FORSIGTIG:** Ved savning af forhåndsskåret tømmer, skal der anvendes en sikker støtte (savbuk eller stativ). Støt ikke arbejdsstykket med foden, og lad ikke andre holde eller støtte det.

**⚠FORSIGTIG:** Beskyt runde stykker mod rotation.

**⚠FORSIGTIG:** Hold alle kroppsdele væk fra savkæden, når motoren er i gang.

**⚠FORSIGTIG:** Hold fast på kædesaven med begge hænder, når motoren kører.

**⚠FORSIGTIG:** Stræk dig ikke for langt. Sørg hele tiden for sikkert fodfæste og balance.

**BEMÆRKNING:** Du må aldrig kaste eller tabe maskinen.

**BEMÆRKNING:** Undlad at tildække maskinens ventilationsåbninger.

Bring den nederste kant af kædesavens karosseri i kontakt med den gren, der skal skæres, inden du tænder for saven. Ellers kan sværdet rokke med tilskadekomst af operatøren som resultat. Sav det træ, der skal skæres, ved blot at flytte den ned ved at benytte kædesavens vægt.

► **Fig.26**

Hvis man ikke kan skære igennem tømmeret i et enkelt strøg: Udøv et let tryk på håndtaget, og fortsæt med at save, og træk kædesaven en smule tilbage. Sænk derefter barkstøtten en smule, og færdiggør snittet ved at løfte håndtaget.

► **Fig.27**

### Skæring i træstammer

1. Hvil den nederste kant af kædesavens karosseri mod det træ, der skal skæres.

► **Fig.28**

2. Lad savkæden køre, og sav ned i træet, idet du benytter det bageste håndtag til at løfte saven og det forreste til at styre den. Brug barkstøtten som omdrejningspunkt.

3. Fortsæt snittet ved at udøve et let tryk på det forreste håndtag og trække saven let tilbage. Flyt barkstøtten længere ned ad træmeret, og løft det forreste håndtag igen.

**BEMÆRKNING:** Sluk for kædesaven mellem snittene, hvis du laver flere snit.

**⚠FORSIGTIG:** Hvis den øverste kant af sværdet bruges til at skære, kan kædesaven blive slynget mod dig selv, hvis kæden kommer i klemme. Skær derfor med den nederste kant, så saven i givet fald slynges væk fra dig.

► Fig.29

Når du skærer i træ, der ligger i spænd, skal der først skæres på tryksiden (A). Foretag derefter det sidste snit fra spændsiden (B). Dette forhindrer, at sværdet kommer i klemme.

► Fig.30

## Afgrening

**⚠FORSIGTIG:** Afgrening må kun udføres af trænedede personer. Risikoen for tilbageslag udgør en fare.

Ved afgrening skal kædesaven så vidt muligt understøttes på stammen. Skær ikke med spidsen af sværdet, da dette medfører risiko for tilbageslag.

Vær især opmærksom på grene, der ligger i spænd. Skær ikke grene, der ikke er understøttet, nedefra. Stå ikke på det fældede træ, mens du afgrener.

## Indsnit og skæring på langs af træårene

**⚠FORSIGTIG:** Indsnit og skæring på langs af træårene må kun udføres af personer med specialtræning. Muligheden for tilbageslag medfører risiko for tilskadekomst.

Udfør skæring på langs af træårene i en så lille vinkel som muligt. Vær ekstra forsigtig, når snittet udføres, da barkstøtten ikke kan anvendes.

► Fig.31

## Fældning

**⚠FORSIGTIG:** Fældningsarbejde må kun udføres af uddannede personer. Dette arbejde er farligt.

Vær opmærksom på den lokale lovgivning, hvis du vil fælde et træ.

► Fig.32: 1. Fældningsområde

- Før du påbegynder fældningsarbejde, skal du sikre dig, at:
  - Kun personer, der har med fældningsarbejdet at gøre, er i nærheden,
  - Alle involverede personer har en uhindret flugtvej i et område på ca. 45° på hver side af fældningsaksen. Vær desuden opmærksom på risikoen for at snuble over elektriske ledninger.

- Foden af træstubben er fri for fremmedlegemer, rødder og grene.
- Der ikke er nogen personer eller genstande i en afstand på 2 1/2 gange træets længde i den retning, træet vil falde i.

- Vær opmærksom på følgende for hvert træ:
  - Den retning, det hælder i,
  - Løse eller tørre grene,
  - Træets højde,
  - Naturlige fremspring,
  - Om træet er råddent.
- Vær opmærksom på vindstyrken og -retningen. Undlad at udføre fældningsarbejde, hvis der er kraftige vindstød.
- Beskæring af rodfremspring: Begynd med de største fremspring. Udfør det lodrette snit først og derefter det vandrette snit.
- Stå til siden af det faldende træ. Hold et område bag det faldende træ ryddet på op til 45° til hver side af træets akse (se illustrationen "fældningsområde"). Vær opmærksom på faldende grene.
- En flugtvej bør forberedes og ryddes efter behov, inden snittene påbegyndes. Flugtvejen bør strække sig bagud og diagonalt til bagsiden af den forventede faldlinje som vist på illustrationen.

► Fig.33: 1. Fældningsretning 2. Farezone 3. Flugtvej

Følg nedenstående procedurer, når du fælder træer:

1. Skær et vinkelsnit så tæt på jorden som muligt. Skær først det vandrette snit til en dybde af 1/5 - 1/3 af stammens diameter. Lav ikke vinkelsnittet for stort. Skær derefter det skrå snit.

► Fig.34

**BEMÆRK:** Vinkelsnittet bestemmer, hvilken retning træet falder i, og fører det. Det foretages på den side, som træet skal falde til.

2. Skær bagsnittet lidt højere end grundsnittet i vinkelsnittet. Bagsnittet skal være helt vandret. Lad cirka 1/10 af stammens diameter mellem bagsnittet og vinkelsnittet være. Træfibrene i den uskarpe del af stammen fungerer som et hængsel. Sæt kiler ind i bagsnittet i tide.

► Fig.35

**⚠ADVARSEL:** Du må under ingen omstændigheder gennemskære fibrene. Ellers vil træet falde ukontrolleret.

**BEMÆRKNING:** Der må kun anvendes plastic- og aluminiumskiler til at holde bagsnittet åbent. Brug af jernkiler er forbudt.

## Bæring af maskinen

Før du bærer maskinen, skal du altid aktivere kædebremsen og afmontere akkuen fra maskinen. Monter derefter sværdbeskytteren. Dæk ligeledes akkuen med batteridækslet.

► Fig.36: 1. Sværdbeskytter 2. Batteridæksel

# VEDLIGEHOJDELSE

**⚠️ FORSIGTIG:** Vær altid sikker på, at værktøjet er slukket, og at akkuen er taget ud, inden De begynder at udføre inspektion eller vedligeholdelse.

**⚠️ FORSIGTIG:** Bær altid beskyttelseshandsker, når der udføres eftersyn eller vedligeholdelse.

**BEMÆRKNING:** Anvend aldrig benzin, rønsbenzin, fortynder, alkohol og lignende. Det kan medføre misfarvning, deformation eller revner.

For at opretholde produktets SIKKERHED og PÅLIDELIGHED må reparation, vedligeholdelse eller justering kun udføres af et autoriseret Makita servicecenter eller fabrikkervicecenter med anvendelse af Makita reservedele.

## Slibning af savkæden

**Slib savkæden, når:**

- Der frembringes meget savsmuld, når der skæres i fugtigt træ,
- Kæden kun gennemskærer træet med besvær, selv hvis der anvendes et kraftigt tryk,
- Skærekanten er tydeligt beskadiget,
- Saven trækker til venstre eller højre i træet. (forårsaget af uensartet slibning af savkæden eller beskadigelse af kun den ene side)

Slib savkæden hyppigt, men kun en smule ad gangen. To eller tre strøg med en fil er sædvanligvis tilstrækkeligt til at udføre en almindelig slibning. Når savkæden er blevet slet adskillige gange, skal den slibes på vores autoriserede servicecenter.

**Slibningskriterier:**

**⚠️ ADVARSEL:** For stor afstand mellem skærekant og dybdemåleren forøger risikoen for tilbageslag.

► **Fig.37:** 1. Skærerlængde 2. Afstand mellem skærekant og dybdemåler 3. Mindste skærerlængde (3 mm)

- Alle skærerlængder skal være ens. Forskellige skærerlængder vil forhindre savkæden i at køre ubesværet og kan forårsage, at savkæden brækker.
- Slib ikke kæden, når der er nået en skærerlængde på 3 mm eller derunder. Kæden skal udskiftes med en ny.
- Savspånstykkelser bestemmes af afstanden mellem dybdemåleren (rund næse) og skærekanten.
- De bedste skæresultater opnås med følgende afstand mellem skærekanten og dybdemåleren.
  - Kædeblad 91PX: 0,65 mm
  - Kædeblad 80TXL: 0,65 mm

► **Fig.38**

- Slibningsvinklen på 30° skal være den samme på alle skærere. Forskellige skærevinkler medfører, at kæden kører ujævnt og uensartet, fremskynder slitage og medfører, at kæden brækker.
- Brug en passende rund fil, så den korrekte slibningsvinkel holdes mod tænderne.
  - Kædeblad 91PX: 55°
  - Kædeblad 80TXL: 55°

**Fil og korrekt anvendelse af fil**

- Anvend en speciel rund fil (ekstraudstyr) til savkæder til at skærpe kæden. Almindelige runde filer er ikke egnede.
- Diameter på den runde fil for hver savkæde er som følger:
  - Kædeblad 91PX: 4,0 mm
  - Kædeblad 80TXL: 4,0 mm
- Filen bør kun være i kontakt med skæreren ved fremadstrøget. Hæv filen fra skæreren ved returstrøget.
- Slib den korteste skærer først. Længden af denne korteste skærer bliver standard for alle skærende led på savkæden.
- Før filen som vist på illustrationen.

► **Fig.39:** 1. Fil 2. Savkæde

- Det er nemmere at føre filen, hvis der anvendes en filholder (ekstraudstyr). Filholderen har afmærkninger til den korrekte slibningsvinkel på 30° (sæt afmærkningerne parallelt med savkæden) og begrænser dybden af gennemskæringen (til 4/5 af fildiametere).

► **Fig.40:** 1. Filholder

- Kontroller, når kæden er skærpet, højden af dybdemåleren ved hjælp af kædemålerværktøjet (ekstraudstyr).

► **Fig.41**

- Fjern alt fremspringende materiale, hvor småt det end måtte være, ved hjælp af en speciel flad fil (ekstraudstyr).
- Afrund forsiden af dybdemåleren igen.

## Rengøring af sværdet

Spåner og savsmuld samler sig i sværdillen. De kan tilstoppe sværdillen og hindre oliestrømningen. Fjern altid spåner og savsmuld, hver gang du sliber eller udskifter savkæden.

► **Fig.42**

## Rengøring af kædehjulsdækslet

Spåner og savsmuld samler sig inde i kædehjulsdækslet. Fjern kædehjulsdækslet og savkæden fra maskinen, og fjern derefter spåner og savsmuld.

► **Fig.43**

## Rengøring af olieudløbshullet

Små støv- og andre partikler kan samle sig i olieudløbshullet under arbejdet. Dette støv og andre partikler kan forringe oliestrømmen og medføre en utilstrækkelig smøring af hele savkæden. Rengør olieudløbshullet som vist herunder, hvis oliestrømmen er for svag ved toppen af sværdet.

1. Fjern kædehjulsdækslet og savkæden fra maskinen.

2. Fjern mindre støvdannelse eller partikler ved hjælp af en kærnskruetrækker eller lignende.

► **Fig.44:** 1. Kærnskruetrækker 2. Olieudløbshul

3. Sæt akkuen i maskinen. Tryk på afbryderknappen for at fjerne akkumulerede støv- og andre partikler fra olieudløbshullet ved at lade kædeolie flyde ud.

4. Tag akkuen ud af maskinen. Monter kædehjulsdækslet og savkæden på maskinen igen.



## Udskiftning af kædehjulet

**⚠ FORSIGTIG:** Et udtjent kædehjul vil beskadige en ny savkæde. I så fald skal kædehjulet skiftes ud med et nyt.

Kontroller kædehjulets tilstand, inden en ny savkæde monteres.

► **Fig.45:** 1. Kædehjul 2. Områder, der slides

Sæt altid en ny låsering på, når kædehjulet skiftes ud.

► **Fig.46:** 1. Låsering 2. Kædehjul

**BEMÆRKNING:** Kontroller, at kædehjulet er installeret som vist på figuren.

## Opbevaring af maskinen

1. Rengør maskinen, inden den lægges til opbevaring. Fjern alle spåner og savsmuld fra maskinen, efter at kædehjulsdækslet er taget af.
2. Når maskinen er rengjort, skal den køres uden belastning for at smøre savkæden og sværdet.
3. Dæk sværdet med sværdbeskytteren.
4. Tøm olietanken.

## Vejledning i periodisk vedligeholdelse

For at sikre en lang levetid, undgå skader og sikre, at sikkerhedsanordningerne fungerer fuldt ud, skal følgende vedligeholdelse udføres regelmæssigt. Garantikrav godtages kun, hvis dette arbejde er blevet udført regelmæssigt og korrekt. Såfremt den foreskrevne vedligeholdelse ikke udføres, kan det medføre ulykker! Brugeren af kædesaven bør ikke udføre vedligeholdelsesarbejde, der ikke er beskrevet i denne brugsvejledning. Alt sådant arbejde bør udelukkende udføres af vores autoriserede servicecenter.

Kontrolpunkt / Driftstid		Før brug	Hver dag	Hver uge	Hver 3. måned	Årligt	Før opbevaring
Kædesav	Inspektion.	✓	-	-	-	-	-
	Rengøring.	-	✓	-	-	-	-
	Kontrolleres på autoriseret servicecenter.	-	-	-	-	✓	✓
Savkæde	Inspektion.	✓	-	-	-	-	-
	Skærpes om nødvendigt.	-	-	-	-	-	✓
Sværd	Inspektion.	✓	✓	-	-	-	-
	Fjern fra kædesaven.	-	-	-	-	-	✓
Kædebremse	Kontroller, at den virker.	✓	-	-	-	-	-
	Få den regelmæssigt kontrolleret på autoriseret servicecenter.	-	-	-	✓	-	-
Smøring af kæden	Kontroller olietilførslen.	✓	-	-	-	-	-
Afbryderknap	Inspektion.	✓	-	-	-	-	-
Låsehåndtag	Inspektion.	✓	-	-	-	-	-
Olietankdæksel	Kontroller spændingen.	✓	-	-	-	-	-
Kædefanger	Inspektion.	-	-	✓	-	-	-
Skruer og møtrikker	Inspektion.	-	-	✓	-	-	-

# FEJLFINDING

Udfør selv en inspektion, inden De anmoder om reparation. Hvis De opdager et problem, som ikke er forklaret i brugsanvisningen, må De ikke forsøge at adskille maskinen. Rådfør Dem i stedet med et autoriseret Makita Servicecenter, og brug altid originale Makita udskiftningsdele til reparationer.

Føjl	Årsag	Løsning
Kædesaven starter ikke.	Akkuen er ikke indsat.	Indsæt en opladet akku.
	Akku-problem (lav spænding).	Genoplad akkuen. Hvis genopladningen ikke løser problemet, skal du udskifte akkuen.
	Hovedafbryderen er slået fra.	Der slukkes automatisk for kædesaven, hvis den ikke betjenes i en vis periode. Tænd for hovedafbryderen igen.
Savkæden kører ikke.	Kædebremsen er aktiveret.	Frigør kædebremsen.
Motoren holder op med at køre efter kort tids brug.	Akkuens opladningsniveau er lavt.	Genoplad akkuen. Hvis genopladningen ikke løser problemet, skal du udskifte akkuen.
Ingen olie på kæden.	Olietanken er tom.	Fyld olietanken.
	Olieføringssporet er snavset.	Rengør sporet.
	Dårlig olieefremføring.	Juster mængden af olieefremføringen med justeringskruen.
Kædesaven når ikke op på maks. omdrejningshastighed.	Akkuen er sat forkert i.	Monter akkuen som beskrevet i denne brugervejledning.
	Batteriladningen er faldende.	Genoplad akkuen. Udskift akkuen, hvis genopladning ikke løser problemet.
	Drivsystemet fungerer ikke korrekt.	Bed vores autoriserede servicecenter i dit område om reparation.
Hovedstrømlampen blinker grønt.	Der er trykket på afbryderknappen under forhold, hvor maskinen ikke kan anvendes.	Tryk på afbryderknappen, efter at der er tændt for hovedafbryderen, og kædebremsen er frigivet.
Kæden stopper ikke, selvom kædebremsen aktiveres: <b>Stop maskinen med det samme!</b>	Bremsebåndet er nedslidt.	Bed vores autoriserede servicecenter i dit område om reparation.
Unormal vibration: <b>Stop maskinen med det samme!</b>	Løst sværd eller savkæde.	Juster sværdets og savkædens spænding.
	Funktionsfejl på maskinen.	Bed vores autoriserede servicecenter i dit område om reparation.
Savkæden kan ikke installeres.	Kombinationen af savkæde og kædehjul er ikke korrekt.	Brug den rigtige kombination af savkæde og kædehjul ved at se afsnittet for specifikationer.

## EKSTRAUDSTYR

**⚠FORSIGTIG:** Det følgende tilbehør og ekstraudstyr er anbefalet til brug med Deres Makita maskine, der er beskrevet i denne brugsanvisning. Anvendelse af andet tilbehør eller ekstraudstyr kan udgøre en risiko for personskade. Anvend kun tilbehør og ekstraudstyr til det beskrevne formål.

Hvis De behøver hjælp ved valg af tilbehør eller ønsker yderligere informationer, bedes De kontakte Deres lokale Makita servicecenter.

- Savkæde
- Sværd
- Sværdbeskytter
- Fil
- Værktøjspose
- Original Makita akku og oplader

**⚠ADVARSEL:** Hvis du køber et sværd af en anden længde end standardsværdet, skal du også købe en tilsvarende sværdbeskytter. Den skal passe til og helt dække sværdet på kædesaven.

**BEMÆRK:** Nogle ting på denne liste kan være inkluderet i værktøjsspakken som standardtilbehør. Det kan være forskellige fra land til land.

## SPECIFIKĀCIJAS

Modelis:		UC014G	UC015G	UC016G	UC017G
Kopējais garums (bez vadotnes)		445 mm			
Nominālais spriegums		Līdzstrāva 36 V–40 V maks.			
Neto svars	*1	4,5 kg			
	*2	6,2–6,9 kg			6,2–6,9 kg
Standarta virzošās slīdes garums		300 mm	350 mm	400 mm	450 mm
Ieteicamais virzošās slīdes garums		300–450 mm			
Attiecīgais zāģa ķēdes veids (skatiet tālāk redzamo tabulu)		91PX 80TXL			
Ķēdesrats (91PX)	Zobu skaits	6			
	Solis	3/8 collas			3/8"
Ķēdesrats (80TXL)	Zobu skaits	7			
	Solis	0,325"			
Ķēdes ātrums		0–25,5 m/s (0–1 530 m/min)			
Ķēdes eļļas tvertnes tilpums		260 cm <sup>3</sup>			
Aizsardzības pakāpe		IPX4			

• Nepārtrauktās izpētes un izstrādes programmas dēļ šeit uzrādītās specifikācijas var tikt mainītas bez brīdinājuma.

• Atkarībā no valsts specifikācijas var atšķirties.

\*1: Svārs bez zāģa ķēdes, vadotnes, vadotnes vāka, eļļas un akumulatora(-u) kasetnes(-ēm).

\*2: Viegglākā un smagākā svāra kombinācija saskaņā ar EPTA procedūru 01/2014. Svārs var atšķirties atkarībā no papildierīces(-ēm), tostarp akumulatora(-u) kasetnes(-ēm).

### Zāģa ķēdes, vadslīdes un ķēdesrata kombinācija

Zāģa ķēdes veids		91PX			
Dzinējposmu skaits		46	52	56	62
Virzošā slīde	Virzošās slīdes garums	300 mm	350 mm	400 mm	450 mm
	Zāģējuma garums	268 mm	324 mm	361 mm	418 mm
	Solis	3/8 collas			
	Mērskala	1,3 mm			
	Veids	Griezējšķautnes lietnis ar ķēdesratu			
Ķēdesrats	Zobu skaits	6			
	Solis	3/8 collas			

Zāģa ķēdes veids		80TXL			
Dzinējposmu skaits		51	59	64	70
Virzošā slīde	Virzošās slīdes garums	300 mm	350 mm	400 mm	450 mm
	Zāģējuma garums	259 mm	325 mm	366 mm	416 mm
	Solis	0,325"			
	Mērskala	1,1 mm			
	Veids	Griezējšķautnes lietnis ar ķēdesratu			
Ķēdesrats	Zobu skaits	7			
	Solis	0,325"			

**BRĪDINĀJUMS:** Izmantojiet pareizo virzošās slīdes un ķēdes zāģa kombināciju. Citādi var rasties traumas.

## Piemērotā akumulatora kasetne un lādētājs

Akumulatora kasetne	BL4040 / BL4050F* *: Ieteicamais akumulators
Lādētājs	DC40RA / DC40RB / DC40RC

- Daži no iepriekš norādītajiem lādētājiem un akumulatora kasetnēm var nebūt pieejami atkarībā no jūsu mītnes reģiona.

**BRĪDINĀJUMS:** Izmantojiet vienīgi iepriekš norādītās akumulatora kasetnes un lādētājus. Cita tipa akumulatora kasetņu un lādētāju izmantošana var radīt traumu un/vai aizdegšanās risku.



## Ieteicamais ar vadu savienojamais barošanas avots

Pārnēsājams barošanas bloks	PDC01
-----------------------------	-------

- Iepriekš norādītais (-ie) ar vadu savienojamais (-ie) barošanas avots (-i) var nebūt pieejams (-i) atkarībā no jūsu mītnes reģiona.
- Pirms izmantojat ar vadu savienojamo barošanas avotu, izlasiet instrukcijas un uz tā redzamos brīdinājumus.

## Simboli

Tālāk ir attēloti simboli, kas var attiekties uz darbarīka lietošanu. Pirms darbarīka izmantošanas pārliecinieties, vai pareizi izprotat to nozīmi.

	Izlasiet lietošanas rokasgrāmatu.
	Izmantojiet aizsargbrilles.
	Lietojiet ausu aizsargus.
	Izmantojiet ķiveri, aizsargbrilles un ausu aizsargus.
	Maksimālais pieļaujamais zāģējuma garums
	Strādājot ar ķēdes zāģi, vienmēr turiet to ar abām rokām.
	Uzmanieties no ķēdes zāģa atsitienu un izvairieties no saskares ar vadslīdes galu.
	Ķēdes ceļa virziens
	Zāģa ķēdes eļļas noregulēšana
 Ni-MH Li-Ion	Tikai ES valstīm Tā kā šajā aprīkojumā ir bīstamas sastāvdaļas, elektrisko un elektronisko iekārtu, akumulatoru un bateriju atkritumi var negatīvi ietekmēt apkārtējo vidi un cilvēka veselību. Elektroierīces, elektroniskās ierīces un akumulatorus nedrīkst izmest kopā ar mājsaimniecības atkritumiem! Saskaņā ar Eiropas direktīvu par elektrisko un elektronisko iekārtu atkritumiem, akumulatoriem un baterijām, kā arī akumulatoru un bateriju atkritumiem un šīs direktīvas pielāgošanu valsts tiesību aktiem elektrisko un elektronisko iekārtu, bateriju un akumulatoru atkritumi ir jāglabā atsevišķi un jānogādā uz sadzīves atkritumu dalītās savākšanas vietu, ievērojot attiecīgos vides aizsardzības noteikumus. Par to liecina uz iekārtas redzams simbols ar pārsvītrotu atkritumu konteineru uz riteņiem.



Garantētais skaņas jaudas līmenis saskaņā ar ES Direktīvu par troksni ārpus telpām.



Skaņas jaudas līmenis saskaņā ar Austrālijas NSW trokšņu kontroles noteikumiem

## Paredzētā lietošana

Šis motorzāģis ir paredzēts koku, koksnes, kokmateriālu zāģēšanai.

## Trokšņa līmenis

Tipiskais A svērtais trokšņa līmenis noteikts saskaņā ar EN62841-4-1:

### Modelis UC014G

Skaņas spiediena līmenis ( $L_{pA}$ ): 91 dB (A)

Skaņas jaudas līmenis ( $L_{WA}$ ): 102 dB (A)

Mainīgums (K): 3 dB (A)

### Modelis UC015G

Skaņas spiediena līmenis ( $L_{pA}$ ): 91 dB (A)

Skaņas jaudas līmenis ( $L_{WA}$ ): 102 dB (A)

Mainīgums (K): 3 dB (A)

### Modelis UC016G

Skaņas spiediena līmenis ( $L_{pA}$ ): 91 dB (A)

Skaņas jaudas līmenis ( $L_{WA}$ ): 102 dB (A)

Mainīgums (K): 3 dB (A)

### Modelis UC017G

Skaņas spiediena līmenis ( $L_{pA}$ ): 91 dB (A)

Skaņas jaudas līmenis ( $L_{WA}$ ): 102 dB (A)

Mainīgums (K): 3 dB (A)

**PIEZĪME:** Paziņotā trokšņa emisijas vērtība noteikta atbilstoši standarta pārbaudes metodei, un to var izmantot, lai salīdzinātu vienu darbarīku ar citu.

**PIEZĪME:** Paziņoto trokšņa emisijas vērtību arī var izmantot iedarbības sākotnējā novērtējumā.

**BRĪDINĀJUMS:** Lietojiet ausu aizsargus.

**BRĪDINĀJUMS:** Trokšņa emisija patiesos darba apstākļos var atšķirties no paziņotās vērtības atkarībā no darbarīka izmantošanas veida un jo īpaši atkarībā no apstrādājamā materiāla veida.

**BRĪDINĀJUMS:** Lai aizsargātu lietotāju, nosakiet drošības pasākumus, kas pamatoti ar iedarbību reālos darba apstākļos (ņemot vērā visus ekspluatācijas cikla posmus, piemēram, laiku, kamēr darbarīks ir izslēgts un kad darbojas tukšgaitā, kā arī palaides laiku).

## Vibrācija

Vibrācijas kopējā vērtība (trīsas vektora summa) noteikta atbilstoši EN62841-4-1:

### Modelis UC014G

Darba režīms: koksnes zāģēšana  
Vibrācijas izmēte ( $a_{h,w}$ ): 5,0 m/s<sup>2</sup>  
Mainīgums (K): 1,5 m/s<sup>2</sup>

### Modelis UC015G

Darba režīms: koksnes zāģēšana  
Vibrācijas izmēte ( $a_{h,w}$ ): 5,0 m/s<sup>2</sup>  
Mainīgums (K): 1,5 m/s<sup>2</sup>

### Modelis UC016G

Darba režīms: koksnes zāģēšana  
Vibrācijas izmēte ( $a_{h,w}$ ): 5,0 m/s<sup>2</sup>  
Mainīgums (K): 1,5 m/s<sup>2</sup>

### Modelis UC017G

Darba režīms: koksnes zāģēšana  
Vibrācijas izmēte ( $a_{h,w}$ ): 5,0 m/s<sup>2</sup>  
Mainīgums (K): 1,5 m/s<sup>2</sup>

**PIEZĪME:** Paziņotā kopējā vibrācijas vērtība noteikta atbilstoši standarta pārbaudes metodei, un to var izmantot, lai salīdzinātu vienu darbarīku ar citu.

**PIEZĪME:** Paziņoto kopējo vibrācijas vērtību arī var izmantot iedarbības sākotnējā novērtējumā.

**BRĪDINĀJUMS:** Vibrācijas emisija patiesos darba apstākļos var atšķirties no paziņotās vērtības atkarībā no darbarīka izmantošanas veida un jo īpaši atkarībā no apstrādājamā materiāla veida.

**BRĪDINĀJUMS:** Lai aizsargātu lietotāju, nosakiet drošības pasākumus, kas pamatoti ar iedarbību reālos darba apstākļos (ņemot vērā visus ekspluatācijas cikla posmus, piemēram, laiku, kamēr darbarīks ir izslēgts un kad darbojas tukšgaitā, kā arī palaišanas laiku).

## EK atbilstības deklarācija

### Tikai Eiropas valstīm

EK atbilstības deklarācija šajā lietošanas rokasgrāmatā ir iekļauta kā A pielikums.

## DROŠĪBAS BRĪDINĀJUMI

### Vispārīgi elektrisko darbarīku drošības brīdinājumi

**BRĪDINĀJUMS:** Izlasiet visus drošības brīdinājumus, instrukcijas, apskatiet ilustrācijas un tehniskos datus, kas iekļauti mehānizētā darbarīka komplektācijā. Ja netiek ievēroti visi tālāk minētie noteikumi, var tikt izraisīta elektrotrauma, notikt aizdegšanās un/vai rasties smagas traumas.

### Glabājiet visus brīdinājumus un norādījumus, lai varētu tajos ieskatīties turpmāk.

Termins „elektrisks darbarīks” brīdinājumos attiecas uz tādu elektrisko darbarīku, ko darbina ar elektrību (ar vadu), vai tādu, ko darbina ar akumulatoru (bez vada).

## Vispārēji ķēdes zāģa drošības brīdinājumi

- Kad ķēdes zāģis darbojas, nevienam ķermeņa daļai netuviniet zāģa ķēdi. Pirms ķēdes zāģa iedarbināšanas pārliecinieties, vai zāģa ķēde nekam nepieskaras.** Neuzmanības mirklis ķēdes zāģa lietošanas laikā var izraisīt apģērba vai ķermeņa saķeršanos ar zāģa ķēdi.
- Ķēdes zāģi vienmēr turiet ar labo roku uz aizmugurējā ruktura un kreiso roku uz priekšējā ruktura.** Ķēdes zāģa turēšana rokās pretēji iepriekš minētajam palielina savainojuma risku, un tā nekad nedrīkst rīkoties.
- Turiet ķēdes zāģi tikai aiz ruktura izolētajām virsmām, jo zāģa ķēde var skart apslēptus vadus.** Zāģa ķēdei skarot vadu, kurā plūst strāva, ķēdes zāģa atsegtās metāla daļas var sākt vadīt strāvu, un operators var saņemt strāvas triecienu.
- Lietojiet acu aizsarglīdzekļus. Ieteicams lietot arī ausu, galvas, roku, kāju un pēdu papildu aizsardzības līdzekļus.** Piemērots aizsargaprīkojums samazinās risku gūt traumas no atlecošiem gruziņiem vai nejauša saskares ar zāģa ķēdi.
- Neizmantojiet ķēdes zāģi, atrodoties kokā, uz trepēm, uz jumta vai uz jebkuras citas nestabilas virsmas.** Šādi lietojot ķēdes zāģi, var gūt smagas traumas.
- Vienmēr nodrošiniet labu atbalstu kājām un darbiniet ķēdes zāģi, tikai stāvēt uz stabilas, drošas un līdzenas virsmas.** Stāvēt uz slidenas vai nestabilas virsmas, var zaudēt līdzsvaru un kontroli pār ķēdes zāģi.
- Zāģējot lielus nospriegotus zarus, esiet modrs, lai izvairītos no atlecošiem zariem.** Kad koksnes šķiedras nospriegojums ir zudis, nospriegotais zars var atstīties pret operatoru un/vai izsist ķēdes zāģi, padarot to nekontrolējamu.
- Īpaši uzmanieties, zāģējot zemus krūmājus un kociņus.** Tievie zari var saķerties ar ķēdes zāģi un triekties pret jums kā pātagas vai izraut jūs no līdzsvara.
- Pārnēsājiet ķēdes zāģi izslēgtu, turot priekšējo rukturi un atstātus no sevis. Transportējot vai glabājot ķēdes zāģi, vienmēr uzlieciet vadotnes vāku.** Pareiza rīkošanās ar ķēdes zāģi samazinās iespēju nejauši saskarties ar kustīgo zāģa ķēdi.
- Ievērojiet eļļošanas, ķēdes spriegošanas un slīdes un ķēdes maiņas norādījumus.** Nepareizi nospriegota vai ieeļļota ķēde var saplīst vai palielināt atsītienu iespēju.
- Zāģējiet tikai kokmateriālus. Neizmantojiet ķēdes zāģi neparedzētam nolūkam.** Piemēram: neizmantojiet ķēdes zāģi metāla, plastmasas, mūra vai tādu celtniecības materiālu zāģēšanai, kas nav no koksnes. Ķēdes zāģa izmantošana neparedzētiem nolūkiem var radīt bīstamas situācijas.
- Nezāģējiet kokus, kamēr neesat izpratis visus riskus un to, kā no tiem izvairīties.** Koku zāģēšanas laikā operators un blakus esošas personas var gūt smagas traumas.

### 13. **Atsitiēna iemesli un operatora iespējas to novērst.**

Ja virzošās sliedes gals vai uzgalis pieskaras priekšmetam vai ja koks sakļaujas un iespīez zāģa ķēdi zāģējumā, var rasties atsitiens.

Saskare ar uzgali dažos gadījumos, iespējams, var izraisīt pēkšņu pretreakciju, pasitot virzošo sliedi augšup un atpakaļ operatora virzienā. Zāģa ķēdes iespīšana virzošās sliedes augšmalā var pēkšņi pastumt virzošo sliedi atpakaļ operatora virzienā. Abas minētās pretdarbības var izraisīt zāģa kontroles zudumu, kas savukārt var izraisīt nopietnus ievainojumus. Nepaļaujieties tikai uz aizsargierīcēm, kas iebūvētas zāģī. Lietojot ķēdes zāģi, jāveic vairākas darbības, lai zāģēšanas laikā izvairītos no negadījumiem un ievainojumiem. Atsitiens rodas ķēdes zāģa nepareizas lietošanas un/vai nepareizas darbības vai apstākļu rezultātā, un no tā var izvairīties, veicot piemērotus drošības pasākumus, kā norādīts tālāk.

- **Satvērienam jābūt ciešam un ar abām rokām: ar īkšķiem un pirkstiem apņēmot motorzāģa rokturus, ķermeni un roku novietojot tā, lai varētu pretoties atsitiēna spēkam.** Ja piesargājas pareizi, operators var kontrolēt atsitiēna spēku. Neatļaidiet motorzāģi.

#### ► Att.1

- **Nesniedzieties pārāk tālu un nezāģējiet virs plecu līmeņa.** Tas ļauj novērst neparedzētu saskari ar uzgali un labāk kontrolēt ķēdes zāģi negaidītās situācijās.
  - **Maiņai izmantojiet tikai ražotāja norādītās vadotnes un zāģa ķēdes.** Maiņai izmantojot nepiemērotas vadotnes un zāģa ķēdes, ķēde var tikt pārrauta un/vai ir iespējami atsitiēni.
  - **Ievērojiet ražotāja norādījumus par zāģa ķēdes asināšanu un apkopi.** Dzīļumēra augstuma samazināšana var izraisīt pastiprinātu atsitiēnu.
14. **Tirot iestrēgušus kokmateriālus, kā arī glabājot vai apkopjot ķēdes zāģi, ievērojiet visas norādes.** Darbarīkam ir jābūt izslēgtam un akumulatora kasetnei — izņemtai. Negaidīta ķēdes zāģa iedarbošanās apkopes vai iestrēgušu materiālu tīrīšanas laikā var izraisīt nopietnas traumas.

## Papildu drošības norādījumi

### Individuālie aizsardzības līdzekļi

1. Izvēlieties pieguļošu apģērbu, taču tas nedrīkst ierobežot kustības.
2. Darba laikā lietojiet šādus aizsardzības līdzekļus:
  - Pārbaudītu aizsargķiveri, ja pastāv risks, ko rada krītoši zari u.c.;
  - Sejas masku vai aizsargbrilles;
  - Piemērotus ausu aizsargus (ausu aizsegus, standarta vai pielāgojamus ausu aizbāžņus). Pēc pieprasījuma iespējams veikt oktāvas augstuma analīzi.
  - Stingras ādas aizsargcimdus;
  - Garās bikses no izturīga auduma;
  - Aizsargājošu kombinezonu no auduma, kas noturīgs pret griezumiem;

- Aizsargapavus vai apavus ar neslīdošu zoli, tērauda pirkstu aizsargu un oderi, kas noturīga pret griezumiem;
- Gāzmasku, veicot darbu, kura laikā rodas putekļi (piemēram, sausas koksnes zāģēšana).

### Ekspluatācija

1. **Pirms darba sākšanas pārbaudiet, vai ķēdes zāģis ir labā darba kārtībā un vai tā stāvoklis atbilst drošības noteikumiem. It sevišķi pārbaudiet, vai:**
  - ķēdes bremze darbojas pareizi;
  - jaudas pārtraukšanas bremze darbojas pareizi;
  - stieņa un ķēdesrata pārsegi ir uzlikti pareizi;
  - ķēde ir uzasināta un nospriegota saskaņā ar noteikumiem.
2. **Neiedarbiniet motorzāģi, kamēr tam ir uzstādīts ķēdes aizsargs.** Ja motorzāģi iedarbina, kamēr tam ir uzstādīts ķēdes aizsargs, iespējama ķēdes aizsarga aizmešana, kas var ievainot cilvēkus un sabojāt priekšmetus ap operatoru.
3. **Izmantojot darbarīku dubļainā vietā, uz mitras slīpas virsmas vai slidenā vietā, raugieties, lai kājām būtu stabils atbalsts.**
4. **Negremdējiet darbarīku peļķē.**
5. **Lietus laikā neatstājiet darbarīku ārpus telpām bez uzraudzības.**

### Elektrodrošība un akumulatora drošība

1. **Izvaieties no bīstamas vides.** Darbarīku neizmantojiet mitrās vai slapjās vietās un lietū. Ja darbarīkā iekļūst ūdens, palielināsies elektriskā trieciena rašanās risks.
2. **Neatbrīvojieties no akumulatora(-iem), to(-s) dedzinot.** Var rasties eksplozija. Skatiet attiecīgos valsts noteikumus, lai uzzinātu īpašus norādījumus izmešanai atkritumos.
3. **Akumulatoru(-s) nedrīkst atvērt vai sabojāt.** Iztecējušais elektrolīts ir kodīgs un var nodarīt kaitējumu acīm vai ādai. Norijot tas var būt toksisks.
4. **Nelādējiet akumulatoru lietū vai mitrās vietās.**
5. **Nelādējiet akumulatoru ārpus telpām.**
6. **Neaiztieciot lādētāju, kā arī lādētāja spraudni vai spaiļes ar slapjām rokām.**
7. **Nemainiet akumulatoru lietū.**
8. **Nemainiet akumulatoru ar mitrām rokām.**
9. **Neatstājiet akumulatoru lietū, kā arī nelādējiet, neizmantojiet un neglabājiet akumulatoru mitrā vai slapjā vietā.**
10. **Nesamitriniet akumulatora spaiļes ar šķidrumu, piemēram, ūdeni, un neiegremdējiet akumulatoru.** Ja spaiļes kļūst mitras vai akumulatorā iekļūst šķidrums, akumulatorā var rasties īsslēgums un pastāv pārkaršanas, aizdegšanās vai sprādziena risks.
11. **Pēc akumulatora izņemšanas no ierīces vai lādētāja raugieties, lai akumulatora vāks tiek piestiprināts pie akumulatora, un glabājiet to sausā vietā.**
12. **Ja akumulatora kasetnē iekļūst ūdens, noteiciniet ūdeni un izslaukiet kasetni ar sausu drānu.** Pirms lietošanas ļaujiet akumulatora kasetnei pilnībā nožūt sausā vietā.

## Apkope un glabāšana

1. Novietojot darbarīku glabāšanā, izvairieties no tiešiem saules stariem un lietus un novietojiet to vietā, kur nekļūst karsts vai mitrs.

## SAGLABĀJIET ŠOS NORĀDĪJUMUS.

**▲BRĪDINĀJUMS:** NEPIEĻAUJIET to, ka labu iemaņu vai izstrādājuma labas pārzināšanas (darbarīku atkārtoti ekspluatējot) rezultātā vairs stingri neievērojāt šī izstrādājuma drošības noteikumus. NEPAREIZI LIETOJOT darbarīku vai neievērojot šajā instrukciju rokasgrāmatā minētos drošības noteikumus, var tikt gūtas smagas traumas.

## Svarīgi drošības norādījumi par akumulatora kasetni

1. Pirms akumulatora lietošanas izlasiet visus norādījumus un brīdinājumus, kuri attiecas uz (1) akumulatora lādētāju, (2) akumulatoru un (3) ierīci, kurā tiek izmantots akumulators.
2. Akumulatora kasetni nedrīkst ne pārveidot, ne izjaukt. Citādi var tikt izraisīta aizdegšanās, pārmērīgs karstums vai sprādziens.
3. Ja akumulatora darbības laiks kļūva ievērojami īsāks, nekavējoties pārtrauciet to izmantot. Citādi, tas var izraisīt pārkarsējumu, uzliesmojumu vai pat sprādzienu.
4. Ja elektrolīts nonāk acīs, izskalojiet tās ar tīru ūdens un nekavējoties griezieties pie ārsta. Tas var izraisīt redzes zaudēšanu.
5. Neradīet īssavienojumu akumulatora kasetnē:
  - (1) Nepieskarieties spaiļēm ar elektrību vadošiem materiāliem.
  - (2) Neuzglabājiet akumulatoru kasetni kopā ar citiem metāla priekšmetiem, tādiem kā naglas, monētas u. c.
  - (3) Nepakļaujiet akumulatora kasetni ūdens vai lietus iedarbībai.Akumulatora īssavienojums var radīt spēcīgu strāvas plūsmu, pārkaršanu, uzliesmojumu un pat sabojāt akumulatoru.
6. Neglabājiet un neizmantojiet darbarīku un akumulatora kasetni vietās, kur temperatūra var sasniegt vai pārsniegt 50 °C (122 °F).
7. Nededziniet akumulatora kasetni, pat ja tā ir stipri bojāta vai pilnībā noliekota. Akumulatora kasetne ugunī var eksplodēt.
8. Akumulatora kasetni nedrīkst naglot, griezt, saspīest, mest vai nomest, kā arī pa to nedrīkst sist ar cietu priekšmetu. Šādas darbības var izraisīt aizdegšanos, pārmērīgu karstumu vai sprādzienu.
9. Neizmantojiet bojātu akumulatoru.
10. Uz izmantotajiem litija jonu akumulatoriem attiecas likumdošanas prasības par bīstamiem izstrādājumiem. Komerציālā transportēšanā, ko veic, piemēram, trešās puses, transporta uzņēmumi, jāievēro uz iesaiņojuma un marķējuma norādītās īpašās prasības.

Lai izstrādājumu sagatavotu nosūtīšanai, jāsažinās ar bīstamo materiālu speciālistu. Ievērojiet arī citus attiecināmos valsts normatīvus.

Vaļējus kontaktus nosedziet ar līmlenti vai citādi pārklājiet, bet akumulatoru iesaiņojiet tā, lai sainītas nevarētu izkustēties.

11. Lai utilizētu akumulatora kasetni, izņemiet to no darbarīka un likvidējiet drošā vietā. Ievērojiet vietējos noteikumus par akumulatora likvidēšanu.
12. Izmantojiet šos akumulatorus tikai ar izstrādājumiem, kurus norādījis Makita. Ievietojot šos akumulatorus nesaderīgos izstrādājumos, var rasties ugunsgrēks, pārmērīgs karstums, tie var uzsprāgt vai no tiem var iztecēt elektrolīts.
13. Ja darbarīks netiks lietots ilgu laiku, no tā jāizņem akumulators.
14. Lietošanas laikā vai pēc tās akumulatora kasetne var uzkrāt siltumu, kas var izraisīt apdegumus vai zemas temperatūras apdegumus. Ar karstu akumulatora kasetni apejieties rūpīgi.
15. Nepieskarieties darbarīka izvadam uzreiz pēc lietošanas, jo tas var būt sakarsis un izraisīt apdegumus.
16. Neļaujiet akumulatora kasetnes spaiļēs, atverēs un rievās uzkrāties skaidām, putekļiem vai netīrumiem. Tas var izraisīt sasilšanu, aizdegšanos, sprādzienu un instrumenta vai akumulatora kasetnes nepareizu darbību, un lietotājs var gūt apdegumus vai ievainojumus.
17. Neizmantojiet akumulatora kasetni augstsprieguma līniju tuvumā, izņemot gadījumus, kad darbarīks ir piemērots lietošanai augstsprieguma līniju tuvumā. Citādi darbarīks vai akumulatora kasetne var sākt darboties nepareizi vai tikt sabojāti.
18. Glabājiet akumulatoru bērniem nepieejamā vietā.

## SAGLABĀJIET ŠOS NORĀDĪJUMUS.

**▲UZMANĪBU:** Lietojiet tikai oriģinālos Makita akumulatorus. Ja lietojat neoriģinālus Makita akumulatorus vai pārveidotus akumulatorus, tie var uzsprāgt un izraisīt aizdegšanos, traumas un materiālos zaudējumus. Tiks anulēta arī Makita darbarīka un lādētāja garantija.

## Ieteikumi akumulatora kalpošanas laika pagarināšanai

1. Uzlādējiet akumulatora kasetni, pirms tā ir pilnībā izlādējusies. Vienmēr, kad ievērojāt, ka darbarīka darba jauda zudusi, apturiet darbarīku un uzlādējiet akumulatora kasetni.
2. Nekad neuzlādējiet pilnībā uzlādētu akumulatora kasetni. Pārmērīga uzlāde saīsina akumulatora kalpošanas laiku.
3. Uzlādējiet akumulatora kasetni istabas temperatūrā 10 °C - 40 °C. Karstai akumulatora kasetnei pirms uzlādes ļaujiet atdzist.
4. Kad akumulatora kasetne netiek izmantota, izņemiet to no darbarīka vai lādētāja.
5. Uzlādējiet litija jonu akumulatora kasetni, ja to ilgstoši nelietosit (vairāk nekā sešus mēnešus).

# DETAĻU APRAKSTS

## ► Att.2

1	Akumulatora kasetne	2	Priekšējais roku sargs	3	Svira
4	Virzošā sliede	5	Zāģa ķēde	6	Regulēšanas skala
7	Galvenais elektropadeves indikators	8	Galvenais elektropadeves slēdzis	9	Atbloķēšanas svira
10	Aizmugures rokturis	11	Slēdža mēlīte	12	Priekšējais rokturis
13	Eļļas tvirtnes vāciņš	14	Virzošās slides vāks	15	Regulēšanas skrūve (eļļas sūkņim)
16	Ķēdes uzķērējs	-	-	-	-

## FUNKCIJU APRAKSTS

**⚠UZMANĪBU:** Pirms darbarīka regulēšanas vai tā darbības pārbaudes vienmēr pārlicinieties, ka darbarīks ir izslēgts un akumulatora kasetne ir izņemta.

### Akumulatora kasetnes uzstādīšana un izņemšana

**⚠UZMANĪBU:** Vienmēr pirms akumulatora kasetnes uzstādīšanas vai noņemšanas izslēdziet darbarīku.

**⚠UZMANĪBU:** Uzstādot vai izņemot akumulatora kasetni, darbarīku un akumulatora kasetni turiet cieši. Ja darbarīku un akumulatora kasetni netur cieši, tie var izkrist no rokām un radīt bojājumus darbarīkam un akumulatora kasetnei, kā arī izraisīt ievainojumus.

► **Att.3:** 1. Sarkanās krāsas indikators 2. Poga 3. Akumulatora kasetne

Lai izņemtu akumulatora kasetni, izvelciet to no darbarīka, pārbindot kasetnes priekšpusē esošo pogu.

Lai uzstādītu akumulatora kasetni, salāgojiet akumulatora kasetnes mēlīti ar rievu ietvarā un iebīdiet to vietā. Ievietojiet to līdz galam, līdz tā ar klikšķi nofiksējas. Ja redzams attēlā parādītais sarkanās krāsas indikators, tas nozīmē, ka tas nav pilnīgi nofiksēts.

**⚠UZMANĪBU:** Vienmēr ievietojiet akumulatora kasetni tā, lai sarkanais indikators nebūtu redzams. Pretējā gadījumā tā var nejauši izkrist no darbarīka un izraisīt jums vai apkārtējiem traumas.

**⚠UZMANĪBU:** Neievietojiet akumulatora kasetni ar spēku. Ja kasetne neslīd ietvarā viegli, tā nav pareizi ielikta.

## Atlikušās akumulatora jaudas indikators

Nospiediet akumulatora kasetnes pārbaudes pogu, lai pārbaudītu akumulatora atlikušo uzlādes līmeni. Indikatori iedegsies uz dažām sekundēm.

► **Att.4:** 1. Indikatora lampas 2. Pārbaudes poga

Indikatora lampas			Atlikušā jauda
Iededzies	Izslēgts	Mirgo	
■	□	◐	No 75% līdz 100%
■	■	□	No 50% līdz 75%
■	■	□	No 25% līdz 50%
■	□	□	No 0% līdz 25%
◐	□	□	Uzlādējiet akumulatoru.
■	■	□	Iespējama akumulatora kļūme.
□	□	■	

**PIEZĪME:** Reālā jauda var nedaudz atšķirties no norādītās atkarībā no lietošanas apstākļiem un apkārtējās temperatūras.

**PIEZĪME:** Akumulatora aizsardzības sistēmas darbības laikā mirgo pirmais (kreisais malējais) indikators.

## Darbarīka/akumulatora aizsardzības sistēma

Darbarīkam ir darbarīka/akumulatora aizsardzības sistēma. Šī sistēma automātiski izslēdz strāvas padevi motoram, lai pagarinātu darbarīka un akumulatora darbmūžu. Lietošanas laikā darbarīks automātiski pārstās darboties, ja darbarīku vai akumulatoru pakļaus kādam no šādiem apstākļiem.

## Aizsardzība pret pārslodzi

Ja akumulatoram ekspluatācijas laikā nākas nodrošināt pārliedzīgi augstu piedziņas jaudu, darbarīks automātiski pārtrauc darbību, un elektrobarošanas lampiņa mirgo zaļā krāsā. Šādā gadījumā izslēdziet darbarīku un pārtrauciet darbību, kas izraisīja pārslodzi. Pēc tam ieslēdziet darbarīku, lai atsāktu darbu.



## Aizsardzība pret pārkaršanu

Kad darbarīks vai akumulators ir pārkaris, darbarīks automātiski pārstāj darboties, un elektrobarošanas lampa deg sarkanā krāsā. Šādā gadījumā ļaujiet darbarīkam un akumulatoram atdzist un tikai pēc tam atkal ieslēdziet darbarīku.

**PIEZĪME:** Strādājot augstas temperatūras vidē, var aktivizēties pārkaršanas aizsardzības mehānisms, un darbarīks automātiski izslēgsies.

## Aizsardzība pret akumulatora pārmērīgu izlādi

Ja atlikušā akumulatora jauda nav pietiekama, darbarīks automātiski pārstāj darboties, un elektrobarošanas lampa mirgo sarkanā krāsā. Šādā gadījumā izņemiet akumulatoru no darbarīka un uzlādējiet to.

## Aizsardzība pret citiem cēloņiem

Aizsardzības sistēma ir paredzēta arī pret citiem cēloņiem, kas varētu radīt darbarīka bojājumus, un nodrošina automātisku darbarīka apturēšanu. Ja darbarīka darbība ir īslaicīgi apstājusies vai tas pārstājis darboties, veiciet visas tālāk norādītās darbības, lai novērstu cēloņus.

1. Izslēdziet un atkal ieslēdziet darbarīku, lai to atkārtoti iedarbinātu.
2. Uzlādējiet akumulatoru(-s) vai nomainiet to(-s) ar uzlādētu(-iem) akumulatoru(-iem).
3. Ļaujiet ierīcei un akumulatoram(-iem) atdzist.

Ja pēc aizsardzības sistēmas atjaunošanas nav uzlabojumu, sazinieties ar vietējo Makita tehniskās apkopes centru.

**IEVĒRĪBAI:** Ja darbarīks izslēdzas kāda iepriekš neaprašīta iemesla dēļ, skatiet sadaļu par problēmu novēršanu.

## Galvenais elektropadeves slēdzis

**▲BRĪDINĀJUMS:** Vienmēr, kad darbarīku neliejojat, izslēdziet galveno elektropadeves slēdzi.

Lai ieslēgtu darbarīku, nospiediet galveno barošanas slēdzi. Galvenais jaudas indikators iedegas zaļā krāsā. Lai izslēgtu, vēlreiz nospiediet galveno barošanas slēdzi.

► **Att.5:** 1. Elektrobarošanas lampa 2. Galvenais barošanas slēdzis

**PIEZĪME:** Nospiežot slēdža mēlīti darbam nepiemērotos apstākļos, elektrobarošanas lampa mirgo zaļā krāsā. Lampa mirgo kādā no tālāk aprakstītajām situācijām.

- Ja, ieslēdzot galveno barošanas slēdzi, jūs vienlaikus turat nospiestu bloķēšanas sviru un slēdža mēlīti.
- Ja nospiežat slēdža mēlīti, kamēr ir ieslēgta ķēdes bremze.
- Ja, atlaižot ķēdes bremzi, jūs vienlaikus turat nospiestu bloķēšanas sviru un slēdža mēlīti.

**PIEZĪME:** Šim darbarīkam ir automātiska izslēgšanas funkcija. Lai novērstu nejausu iedarbināšanu, galvenais barošanas slēdzis automātiski izslēgsies, ja slēdža mēlīte netiks nospiesta noteiktā laikposmā pēc galvenā barošanas slēdža ieslēgšanas.

## Slēdža darbība

**▲BRĪDINĀJUMS:** Drošības apsvērumu dēļ šis darbarīks ir aprīkots ar atbloķēšanas sviru, kas nepieļauj darbarīka nejausu iedarbināšanu. NEKAD neekspluatējiet darbarīku, ja tas darbojas, kad vienkārši pavelkat slēdža mēlīti, nospiežot atbloķēšanas sviru. PIRMS turpmākas ekspluatācijas darbarīku nododiet atbilstošam remontam mūsu pilnvarotā apkopes centrā.

**▲BRĪDINĀJUMS:** NEKAD nenovērtējiet par zemu un neignorējiet atbloķēšanas sviras mērķi un funkcijas.

**▲UZMANĪBU:** Pirms akumulatora kasetnes uzstādīšanas darbarīkā vienmēr pārbaudiet, vai slēdža mēlīte darbojas pareizi un pēc atlaišanas atgriežas stāvoklī „OFF” (Izslēgts).

**IEVĒRĪBAI:** Nevelciet slēdža mēlīti ar spēku, nospiežot atbloķēšanas sviru. Citādi var sabojāt slēdzi.

Lai nevarētu nejausi pavilkt slēdža mēlīti, ir uzstādīta atbloķēšanas svira. Lai ieslēgtu darbarīku, nospiediet atbloķēšanas sviru un slēdža mēlīti. Darbarīka ātrumu palielina, pastiprinot spiedienu uz slēdža mēlīti. Lai apturētu darbarīku, atlaižiet slēdža mēlīti.

► **Att.6:** 1. Slēdža mēlīte 2. Atbloķēšanas svira

## Ķēdes bremzes pārbaude

**▲UZMANĪBU:** Iedarbinot motorzāģi, turiet to ar abām rokām. Aizmugures rokturi turiet ar labo roku, bet priekšējo – ar kreiso. Virzošā sliede un ķēde nedrīkst saskarties ne ar vienu priekšmetu.

**▲UZMANĪBU:** Ja zāģa ķēde nekavējoties neapstājas, veicot šo pārbaudi, zāģi nekādā gadījumā nedrīkst ekspluatēt. Sazinieties ar mūsu pilnvaroto apkopes centru.

1. Nospiediet atbloķēšanas sviru, pēc tam paraujiet slēdža mēlīti. Motorzāģis sāk nekavējoties darboties.
  2. Ar delnas virspusi pabīdriet priekšējo rokas aizsargu uz priekšu. Pārliecinieties, ka motorzāģis nekavējoties apstājas.
- **Att.7:** 1. Priekšējais roku sargs 2. Nebloķēta pozīcija 3. Bloķēta pozīcija

## Jaudas pārtraukšanas bremzes pārbaude

**▲UZMANĪBU:** Ja šajā pārbaudē motorzāģis neapstājas vienā sekundē, tad motorzāģi vairs neizmantojiet un konsultējieties mūsu pilnvarotajā apkopes centrā.

Palaidiet motorzāģi, tad pilnībā atlaižiet slēdža mēlīti. Zāģa ķēdei sekundes laikā ir jāapstājas.

## Ķēdes eļļošanas padeves noregulēšana

Eļļas sūkņa padeves ātrumu var noregulēt ar regulēšanas skrūvi. Eļļas daudzumu var noregulēt, izmantojot universālo uzgriežņatslēgu.

► **Att.8:** 1. Regulēšanas skrūve

# MONTĀŽA

**⚠UZMANĪBU:** Pirms darbarīka regulēšanas vai apkopes vienmēr pārlicinieties, ka darbarīks ir izslēgts un akumulatora kasetne ir izņemta.

**⚠UZMANĪBU:** Zāga ķēdei nedrīkst pieskarties ar kailām rokām. Rīkojoties ar zāga ķēdi, vienmēr valkājiet cimdus.

## Zāga ķēdes uzstādīšana un noņemšana

**⚠UZMANĪBU:** Zāga ķēde un virzošā sliede uzreiz pēc ekspluatācijas vēl ir karsta. Tām vispirms jāatdziest, tikai tad drīkst darbarīku apkopt.

**⚠UZMANĪBU:** Zāga ķēde jāuzstāda vai jānoņem tīrā vietā, kur nav zāgu skaidu un līdzīgu materiālu.

## Zāga ķēdes uzstādīšana

Lai zāga ķēdi uzliktu, veiciet šeit norādītās darbības.

1. Atbrīvojiet ķēdes bremzi, pavelkot priekšējo rokas aizsargu.

2. Svīru paraujiet augšup, spiežot tās malu.

► **Att.9:** 1. Svira

3. Svīru grieziet pretēji pulksteņrādītāju kustības virzienam, līdz ķēdesrata aizsargu var noņemt.

► **Att.10:** 1. Svira 2. Ķēdesrata aizsargs

4. Noņemiet ķēdesrata aizsargu.

5. Pārbaudiet, kādā virzienā vērsta zāga ķēde. Zāga ķēdes virzienam ir jāsakrīt ar virziena atzīmi uz ķēdes zāga korpusa.

► **Att.11:** 1. Atzīme uz motorzāga korpusa

6. Uzlieciet zāga ķēdes vienu galu uz vadslīdes gala.

7. Uzlieciet otru zāga ķēdes galu ap ķēdesratu, pēc tam piestipriniet vadotni pie motorzāga korpusa.

► **Att.12:** 1. Ķēdesrats

8. Lai regulēšanas tapu virzītu bultiņas virzienā, regulēšanas skalu pagrieziet "-" virzienā.

► **Att.13:** 1. Regulēšanas skala 2. Regulēšanas tapa

9. Ķēdesrata pārsegu uz ķēdes zāga novietojiet tā, lai regulēšanas tapa būtu pozicionēta mazajā atverē uz virzošās slīdes.

► **Att.14:** 1. Ķēdesrata aizsargs 2. Virzošā sliede 3. Atvere

10. Pagrieziet svīru pulksteņrādītāju kustības virzienā līdz galam un pēc tam mazliet atpakaļ, lai saglabātu rezervi ķēdes nosprīgojuma regulēšanai.

11. Noregulējiet ķēdes sprīgojumu. Lai uzzinātu, kā veikt šo procedūru, skatiet sadaļu par zāga ķēdes nosprīgojuma regulēšanu.

12. Svīru grieziet pulksteņrādītāju kustības virzienā, līdz ķēdesrata aizsargs ir nostiprināts, tad pagrieziet to sākotnējā pozīcijā.

► **Att.15:** 1. Svira 2. Ķēdesrata aizsargs

## Zāga asmens noņemšana

Lai noņemtu zāga ķēdi, veiciet šeit norādītās darbības.

1. Atbrīvojiet ķēdes bremzi, pavelkot priekšējo rokas aizsargu.

2. Lai atspriegotu zāga ķēdi, regulēšanas skalu pagrieziet virzienā "-".

► **Att.16:** 1. Regulēšanas skala

3. Svīru paraujiet augšup, spiežot tās malu.

► **Att.17:** 1. Svira

4. Svīru grieziet pretēji pulksteņrādītāju kustības virzienam, līdz ķēdesrata aizsargu var noņemt.

► **Att.18:** 1. Svira 2. Ķēdesrata aizsargs

5. Noņemiet ķēdesrata aizsargu, tad no motorzāga korpusa noņemiet zāga ķēdi un virzošo sliedi.

## Zāga ķēdes nosprīgojuma regulēšana

**⚠UZMANĪBU:** Zāga ķēde jāuzstāda vai jānoņem tīrā vietā, kur nav zāgu skaidu un līdzīgu materiālu.

**⚠UZMANĪBU:** Zāga ķēdi nedrīkst nosprīgot pārmērīgi. Ja zāga ķēde būs nosprīgota pārāk cieši, tā var pārrauties, virzošā sliede var nodilt vai regulēšanas skala var salūzt.

**⚠UZMANĪBU:** Pārāk vaļīga ķēde var nokrist no slīdes un izraisīt negadījumu.

Pēc daudzām ekspluatācijas stundām zāga ķēde var kļūt vaļīga. Ik pa laikam pirms ekspluatācijas pārbaudiet zāga ķēdes nosprīgojumu.

1. Svīru paraujiet augšup, spiežot tās malu.

► **Att.19:** 1. Svira

2. Nedaudz pagrieziet svīru pretēji pulksteņrādītāju kustības virzienam, lai mazliet atbrīvotu ķēdesrata aizsargu.

► **Att.20:** 1. Svira 2. Ķēdesrata aizsargs

3. Mazliet paceliet virzošās slīdes galu un noregulējiet ķēdes nosprīgojumu. Regulēšanas skalu pagrieziet virzienā "-", lai atlaistu, un virzienā "+", lai pievilktu. Pievelciet zāga ķēdi, līdz zāga ķēdes apakšējā daļa ievietojas virzošās slīdes rievā; skatiet attēlu.

► **Att.21:** 1. Regulēšanas skala 2. Virzošā sliede 3. Zāga ķēde

4. Turpiniet virzošo sliedi turēt nedaudz paceltu un pievelciet ķēdesrata aizsargu. Pārlicinieties, ka zāga ķēdes apakšējā daļa nav vaļīga.

5. Svīru pagrieziet iepriekšējā stāvoklī.

Pārlicinieties, ka zāga ķēde cieši piegulst slīdes apakšējai daļai.

# EKSPLUATĀCIJA

## Eļļošana

**▲UZMANĪBU:** Neizmantojiet ķēdes zāģi, ja tvertne ir tukša. Laicīgi papildiniet eļļas daudzumu, pirms tvertne kļūst tukša.

**▲UZMANĪBU:** Uzmanieties, lai eļļa nesaskartos ar ādu un acīm. Saskaroties ar acīm, rodas kairinājums. Ja eļļa iekļuvusi acīs, nekavējoties izskalojiet tās ar tīru ūdeni un pēc tam sazinieties ar ārstu.

**▲UZMANĪBU:** Nekad neizmantojiet lietotu eļļu. Lietota eļļa satur kancerogēnas vielas. Piesārņojums lietotajā eļļā izraisa paātrinātu eļļas sūkņa, sliedes un ķēdes nolietošanos. Lietota eļļa ir kaitīga apkārtējai videi.

**IEVĒRĪBAI:** Kad izmantosiet ķēdes zāģi pirmo reizi, būs vajadzīgas aptuveni divas minūtes, līdz zāģa ķēdes eļļa sāks ieeļļot zāģa mehānismu. Darbiniet zāģi bez noslodzes, kamēr tas ieeļļojas.

**IEVĒRĪBAI:** Ja ķēdes eļļu iepildāt pirmo reizi vai tvertni uzpildāt pēc tās pilnīgas iztukšošanas, eļļu iepildiet līdz ielietnes apakšējai malai. Nepiepildīšanas gadījumā eļļas padeve var būt traucēta.

**IEVĒRĪBAI:** Izmantojiet tikai Makita ķēdes zāģiem īpaši paredzēto zāģa ķēdes eļļu vai līdzvērtīgu veikalā nopērkamu eļļu.

**IEVĒRĪBAI:** Nekad neizmantojiet eļļu, kas satur putekļus un sīkas daļiņas, vai eļļu, kas ātri iztvaiko.

**IEVĒRĪBAI:** Apzāģējot kokus, lietojiet augu eļļu. Minerāleļļa var kaitēt kokiem.

**IEVĒRĪBAI:** Pirms zāģēšanas darbībām pārliecinieties, ka eļļas tvertnes vāciņš ir ieskrūvēts vietā.

Zāģa ķēde darba laikā tiek eļļota automātiski. Regulāri pārbaudiet eļļas tvertnē atlikušās eļļas daudzumu, apskatot caur eļļas pārbaudes lodziņu.

► **Att.22:** 1. Eļļas tvertnes vāciņš 2. Eļļas pārbaudes lodziņš

Lai uzpildītu eļļu, veiciet tālāk norādītās darbības.

1. Pilnībā notīriet laukumu ap eļļas tvertnes vāciņu, lai eļļas tvertne neiekļūtu netīrumi.
2. Novietojiet motorzāģi uz sāniem.
3. Nospiediet pogu uz eļļas tvertnes vāciņa, lai poga otrā pusē izvīzītos, un tad grieziet eļļas tvertnes vāciņu, lai to noņemtu.
- **Att.23:** 1. Eļļas tvertnes vāciņš 2. Pievelciets 3. Atskrūvējiet vaļņgāk
4. Uzpildiet eļļas tvertni ar eļļu. Pareizais eļļas daudzums ir 260 ml.
5. Cieši uzskrūvējiet atpakaļ eļļas tvertnes vāciņu.

6. Rūpīgi noslaukiet ķēdes eļļas paliekas uz zāģa.

**PIEZĪME:** Ja rodas grūtības noņemt eļļas tvertnes vāciņu, ievietojiet galatslēgu eļļas tvertnes vāciņa atverē un tad grieziet pretēji pulksteņrādītāju kustības virzienam, lai noņemtu vāciņu.

► **Att.24:** 1. Atvere 2. Galatslēga

Ķēdes zāģi pēc tvertnes uzpildes turiet atstatu no koka. Iedarbiniet un pagaidiet, līdz zāģa ķēde pietiekami saeļļojusies.

► **Att.25**

## Darbs ar motorzāģi

**▲UZMANĪBU:** Lietotājam zāģējot pirmo reizi, lai iepaklizētos, balķis jāzāģē uz kokzāģēšanas steķa vai atbalsta.

**▲UZMANĪBU:** Zāģējot dēļus, izmantojiet drošu paliktņi (kokzāģēšanas steķi vai atbalstu). Apstrādājamo materiālu neturiet ar kāju, neļaujiet to turēt vai atbalstīt citiem cilvēkiem.

**▲UZMANĪBU:** Apaļu apstrādājamo materiālu nostipriniet tā, lai tas negrieztos.

**▲UZMANĪBU:** Kad darbojas dzinējs, ķēdes zāģim netuviniet nevienu ķermeņa daļu.

**▲UZMANĪBU:** Kad darbojas dzinējs, ķēdes zāģi cieši turiet abās rokās.

**▲UZMANĪBU:** Nestiepieties. Vienmēr stingri stāviet uz piemērota atbalsta un saglabājiet līdzsvaru.

**IEVĒRĪBAI:** Darbarīku nekur nesviediet un nemetiet zemē.

**IEVĒRĪBAI:** Neapsedziet darbarīka atveres.

Pirms ieslēgšanas motorzāģa korpusa apakšējo malu novietojiet pie zāģējamā balķa. Citādi virzošā sliede var svārstīties un ievainot operatoru. Pārzāģējamo koku zāģējiet, kustību lejup veicot tikai ar motorzāģa svaru.

► **Att.26**

Dažkārt balķi nevar pārzāģēt vienā paņēmienā, tad jārikojas, kā tālāk norādīts.

Viegli uzspiediet uz roktura un turpiniet zāģēt, tad nedaudz pavelciet motorzāģi atpakaļ; pēc tam zobatturi novietojiet nedaudz zemāk un, paceļot rokturi, pārzāģējiet.

► **Att.27**

## Sagarumošana

1. Motorzāģa korpusa apakšējo malu atbalstiet pret zāģējamo kokmateriālu.

► **Att.28**

2. Kad zāģa ķēde darbojas, sāciet zāģēt koku, zāģi ar aizmugures rokturi paceļot un ar priekšējo virzot. Par atbalsta punktu izmantojiet zobatturi.

3. Turpiniet zāģēt, nedaudz uzspiežot uz priekšējo roktura, zāģi nedaudz atlaižot atpakaļ. Bīdiēt zobatūri uz priekšu dziļāk kokā un atkal paceliet priekšējo rokturi.

**IEVĒRĪBAI:** Zāģējot vairākus gabalus, starplaikos apturiet motorzāģi.

**⚠UZMANĪBU:** Ja zāģēšanai izmanto sliedes augšgalu, motorzāģis var noliekties uz jūsu pusi, ja ķēde iesprūst. Tāpēc zāģēšanai izmantojiet apakšējo sliedes malu, lai zāģis liektos prom no jums.

► Att.29

Zāģējot nospiestu kokmateriālu, vispirms zāģējiet spiediena pusi (A). Pēc tam zāģējiet no spriegotās puses (B). Tādējādi sliede neiesprūds.

► Att.30

## Atzarošana

**⚠UZMANĪBU:** Atzarot drīkst tikai šo prasmi apguvuši cilvēki. Iespējams atsitēns.

Atzarot motorzāģi atbalstiet uz koka baļķa, ja iespējams. Nezāģējiet ar sliedes galu, jo tādējādi iespējams atsitēns.

Īpaši uzmanieties ar nospiegotiem zariem.

Neatbalstītus zarus nezāģējiet no apakšas.

Atzarot nestāviet uz nogāzta baļķa.

## Ieurbumi un garenzāģēšana

**⚠UZMANĪBU:** Ieurbumu veikšana un garenzāģēšana atļauta tikai cilvēkiem, kas šādas prasmes ir apguvuši. Tā kā iespējams atsitēns, ir risks savainoties.

Garenzāģēšanu veiciet tik nelielā leņķī, cik vien iespējams. Zāģējot ārkārtīgi uzmanieties, jo nav iespējams izmantot zobatūri.

► Att.31

## Koku nozāģēšana

**⚠UZMANĪBU:** Kokus nozāģēt drīkst tikai šo prasmi apguvuši cilvēki. Darbs ir bīstams.

Ievērojiet vietējos noteikumus, ja vēlaties nozāģēt koku.

► Att.32: 1. Gāšanas zona

- Pirms koka nozāģēšanas pārliecinieties, ka:
  - tuvumā ir tikai cilvēki, kas piedalās nozāģēšanas procesā;
  - visiem šiem cilvēkiem nodrošināts patveršanās ceļš apmēram 45° leņķī uz abām pusēm no koka krišanas līnijas. Apsveriet arī papildu risku, ka koks var aizķerties aiz elektrības vadiem;
  - baļķa pamatnē nav svešķermeņu, sakņu un zaru;
  - virzienā, kurā koks var gāzties, 2 1/2 koka garumu attālumā neatrodas neviens cilvēks vai priekšmets.

— Ikviena koka zāģēšanas gadījumā apsveriet šādus apstākļus:

- noliekuma virziens;
- valīgi vai sausi zari;
- koka augstums;
- dabiskā pārkare;
- vai koks ir ietrunējis.

— Ņemiet vērā vēja ātrumu un virzienu. Ja ir spēcīga vēja brāzmas, nezāģējiet kokus.

— Izvirzītu sakņu apzāģēšana: sāciet ar lielākajām saknēm. Sākumā iezāģējiet vertikāli, pēc tam – horizontāli.

— Stāviet malā no krītošā koka. Neuzturieties aiz krītošā koka 45° leņķi uz abām pusēm no koka gāšanās virziena (sk. "gāšanas zonas" zīmējumu). Uzmanieties no krītošiem zariem.

— Pirms zāģēšanas vajadzētu izplānot un atīrīt atkāpšanās ceļu. Atkāpšanās ceļam vajadzētu pļesties atpakaļ un pa diagonāli uz paredzamās gāšanās līnijas aizmuguri, kā parādīts attēlā.

► Att.33: 1. Gāšanas virziens 2. Bīstamā zona 3. Atkāpšanās ceļš

Gāžot kokus, ievērojiet šīs procedūras.

1. Iezāģējumu veidojiet iespējami tuvāk zemei. Sākumā horizontāli iezāģējiet dziļumā, kas ir 1/5–1/3 no baļķa diametra. Iezāģējumu veidojiet pārāk plašu. Pēc tam veidojiet iezāģējumu pa diagonāli.

► Att.34

**PIEZĪME:** Iezāģējums noteiks, kurā virzienā koks krītis, un to virzīs. Iezāģējumu veic pusē, uz kuru koku paredzēts nogāzt.

2. Aizmugurē zāģējiet mazliet augstāk par pamata iezāģējumu. Aizmugurē jāzāģē precīzi horizontālā līmenī. Starp aizmugures zāģējumu un priekšas iezāģējumu atstājiet apmēram 1/10 no baļķa diametra. Koka šķiedras neiezāģētajā daļā kalpo par atbalstu. Iezāģējuma vietā laikus ielieciet ķīļus.

► Att.35

**⚠BRĪDINĀJUMS:** Nekādos apstākļos nezāģējiet taisni cauri kokšķiedrai. Zāģējot taisni, koks gāzīsies nekontrolēti.

**IEVĒRĪBAI:** Aizmugures zāģējuma atverē drīkst likt tikai plastmasas vai alumīnija ķīļus. Nedrīkst izmantot tērauda ķīļus.

## Darbarīka pārvietošana

Pirms darbarīka pārvietošanas vienmēr nospiediet ķēdes bremzi un izņemiet no darbarīka akumulatora kasetni. Pēc tam piestipriniet vadotnes vāku. Akumulatora kasetnei uzlieciet arī akumulatora vāku.

► Att.36: 1. Virzošās sliedes vāks 2. Akumulatora vāks

# APKOPE

**▲UZMANĪBU:** Pirms darbarīka pārbaudes vai apkopes vienmēr pārlicinieties, ka darbarīks ir izslēgts un akumulatora kasetne ir izņemta.

**▲UZMANĪBU:** Veicot pārbaudi vai tehnisko apkopi, vienmēr valkājiet cimdus.

**IEVĒRĪBAI:** Nekad neizmantojiet gazolinu, benzīnu, atšķaidītāju, spirtu vai līdzīgus šķidrumus. Tas var radīt izbalēšanu, deformāciju vai plaisas.

Lai saglabātu izstrādājuma DROŠU un UZTICAMU darbību, remontdarbus, apkopi un regulēšanu uzticiet veikt tikai Makita pilnvarotam vai rūpnīcas apkopes centram, un vienmēr izmantojiet tikai Makita rezerves daļas.

## Zāga ķēdes asināšana

**Zāga ķēde jāasina, ja:**

- zāgējot mitru koku, rodas irdenas zāgskaidas;
- ķēde ar grūtībām zāgē koku, pat ja to piespiež stingri;
- griezējuma ir acīm redzami bojāta;
- zāģis kokā raujas pa kreisi vai pa labi. (Nevienmērīgi uzasinātas zāga ķēdes dēļ vai bojājums ir tikai vienā pusē.)

Zāga ķēdi asiniet bieži, taču katru reizi tikai nedaudz. Ikdienas uzasināšanai parasti pietiek ar diviem vai trim vīles pārvilcieniem. Kad zāga ķēde asināta vairākas reizes, nogādājiet to mūsu pilnvarotajā apkopes centrā, lai to tur uzasinātu.

**Asināšanas kritēriji**

**▲BRĪDINĀJUMS:** Pārmērīgs attālums starp griezējumu un dziļummēru palielina atsitiena iespējamību.

► **Att.37:** 1. Zoba garums 2. Attālums starp griezējumu un dziļummēru 3. Minimālais zoba garums (3 mm)

- Visiem zobiem jābūt vienādā garumā. Atšķirīga zobu garuma dēļ zāga ķēde nedarbojas vienmērīgi, tādēļ zāga ķēde var salūzt.
- Neasiniet ķēdi, ja zobs ir 3 mm garš vai īsāks. Ķēde jānomaina pret jaunu.
- Skaidu biežumu nosaka attālums starp dziļummēru (apaļgalu) un griezējumu.
- Vislabāk ķēde zāgē tad, ja starp griezējumu un dziļummēru ir tālāk norādītais attālums.
  - Ķēdes asmens 91PX: 0,65 mm
  - Ķēdes asmens 80TXL: 0,65 mm

► **Att.38**

- Visiem zobiem jābūt vienādam asināšanas leņķim – 30°. Ja zobu leņķi būs dažādi, ķēde darbosies raupji un nevienmērīgi, pārāk ātri nolietosies un salūzīs.
- Lai pret zobu noturētu pareizu asināšanas leņķi, jāizmanto piemērota apaļā vīle.
  - Ķēdes asmens 91PX: 55°
  - Ķēdes asmens 80TXL: 55°

**Vīle un vīles bīdītājs**

- Lai uzasinātu zāga ķēdi, izmantojiet īpašu apaļo vīli (papildpiederums). Parastās apaļās vīles nav piemērotas.
- Diametrs atbilstošajām apaļajām vīlēm ir tālāk norādīts.
  - Ķēdes asmens 91PX: 4,0 mm
  - Ķēdes asmens 80TXL: 4,0 mm
- Ķēde ar vīli jāvilē tikai virzienā uz priekšu. Atpakaļgājienā vīli no ķēdes noņemiet.
- Īsākos zobus asiniet vispirms. Šo zobu garums nosaka visu pārējo zāga ķēdes zobu nepieciešamo garumu.
- Vīli virziet tā, kā attēlots zīmējumā.

► **Att.39:** 1. Vīle 2. Zāga ķēde

- Ja izmanto vīles turētāju (papildaprīkojums), virzīt vīli ir daudz vieglāk. Uz vīles turētāja ir atzīmes pareizam asināšanas leņķim 30° (atzīmes centrējiet paralēli zāga ķēdei), un tas ierobežo iespējamās dziļumu (līdz 4/5 no vīles diametra).

► **Att.40:** 1. Vīles turētājs

- Pēc ķēdes uzasināšanas pārbaudiet dziļummēra augstumu, izmantojot ķēdes mērinstrumentu (papildaprīkojums).

► **Att.41**

- Ar īpašu plakano vīli (papildaprīkojums) nogludiniet visus nelīdzenumus, pat mazus.
- Vēlreiz noapaļojiet dziļummēra priekšējo daļu.

## Notīriet virzošo sliedi

Virzošās sliedes rievā uzkrāsies skaidas un putekļi. Tie var aizsprostot sliedes rievu un traucēt eļļas plūsmu. Skaidas un putekļus iztīriet katru reizi, kad asināt vai nomaināt zāga ķēdi.

► **Att.42**

## Ķēdesrata aizsarga tīrīšana

Skaidas un putekļi uzkrāsies ķēdesrata aizsarga iekšpusē. No darbarīka noņemiet ķēdesrata aizsargu un zāga ķēdi, tad iztīriet skaidas un putekļus.

► **Att.43**

## Eļļas izvades atveres tīrīšana

Darbības laikā eļļas izvades atverē var uzkrāties putekļi vai mazas daļiņas. Šie putekļi vai daļiņas var samazināt eļļas plūsmu un izraisīt nepietiekamu visas ķēdes eļļošanu. Ja konstatēta vāja eļļas padeve virzošās sliedes galā, iztīriet eļļas izvades atveri.

1. No darbarīka noņemiet ķēdesrata aizsargu un zāga ķēdi.

2. Aizvāciet sīkus putekļus vai daļiņas, izmantojot plakānā uzgaļa skrūvgriezi vai līdzīgu darbarīku.

► **Att.44:** 1. Plakangala skrūvgriezis 2. Eļļas izvades atvere

3. Darbarīkā ielieciet akumulatora kasetni. Pavelciet slēdža mēlīti, lai no eļļas izvades atveres izvadītu uzkrājušos putekļus vai daļiņas, iztecinot ķēdes eļļu.

4. No darbarīka izņemiet akumulatora kasetni. Darbarīkam uzlieciet ķēdesrata aizsargu un zāga ķēdi.

## Kēdesrata nomaiņa

**⚠ UZMANĪBU:** Nodilis kēdesrats sabojās jaunu zāga ķēdi. Šajā gadījumā nomainiet kēdesratu.

Pirms jaunas zāga ķēdes uzlikšanas pārbaudiet kēdesrata stāvokli.

► **Att.45:** 1. Kēdesrats 2. Izdiluma zonas

Vienmēr, nomainot kēdesratu, uzstādiet jaunu bloķēšanas gredzenu.

► **Att.46:** 1. Bloķēšanas gredzens 2. Kēdesrats

**IEVĒRĪBAI:** Pārliecinieties, ka kēdesrats uzstādīts tā, kā parādīts attēlā.

## Darbarīka glabāšana

1. Pirms darbarīka novietošanas glabāšanai iztīriet to. Pēc kēdesrata aizsarga noņemšanas no darbarīka iztīriet skaidas un putekļus.
2. Pēc darbarīka iztīrīšanas darbiniet to bez noslodzes, lai ieeļļotu zāga ķēdi un virzošo sliedi.
3. Virzošajai slidei uzlieciet virzošās sliedes vāku.
4. Iztukšojiet eļļas tvertni.

## Norādījumi par regulāru tehnisko apkopi

Lai zāģis kalpotu ilgi, nepieļautu tā bojājumus un garantētu drošības aprīkojuma pilnīgu funkcionēšanu, regulāri jāveic tehniskā apkope. Garantijas remonta pieprasījumu pieņem tikai tad, ja apkopi veic regulāri un pareizi. Ja regulāri neveic aprakstīto tehnisko apkopi, iespējami negadījumi! Motorzāga lietotājs nedrīkst veikt tādas tehniskās apkopes darbus, kas nav aprakstīti šajā lietošanas rokasgrāmatā. Šāda veida darbi jāveic mūsu pilnvarotajā apkopes centrā.

Pārbaudāmais viensoms/veikšanas laiks	Pirms izmantošanas	Katru dienu	Reizi nedēļā	Reizi 3 mēnešos	Reizi gadā	Pirms glabāšanas
Motorzāģis	Apskate.	✓	-	-	-	-
	Tīrīšana.	-	✓	-	-	-
	Pārbaude pilnvarotā apkopes centrā.	-	-	-	✓	✓
Zāga ķēde	Apskate.	✓	-	-	-	-
	Asināšana, ja vajag.	-	-	-	-	✓
Virzošā sliede	Apskate.	✓	✓	-	-	-
	Noņemt no motorzāga.	-	-	-	-	✓
Kēdes bremze	Pārbaudīt funkcionēšanu.	✓	-	-	-	-
	Nogādāt uz periodisko pārbaudi pilnvarotā apkopes centrā.	-	-	-	✓	-
Kēdes eļļošana	Pārbaudīt eļļas padeves ātrumu.	✓	-	-	-	-
Slēdža mēlīte	Apskate.	✓	-	-	-	-
Atbloķēšanas svira	Apskate.	✓	-	-	-	-
Eļļas tvertnes vāciņš	Pārbaudīt ciešumu.	✓	-	-	-	-
Kēdes uzķērējs	Apskate.	-	-	✓	-	-
Skrūves un uzgriežņi	Apskate.	-	-	✓	-	-

# PROBLĒMU NOVĒRŠANA

Pirms nodošanas remontā vispirms veiciet pārbaudi pats. Ja konstatējat kļūmi, kas nav aprakstīta rokasgrāmatā, nemēģiniet darbarīku izjaukt. Dodieties uz Makita pilnvarotu apkopes centru un remontam vienmēr izmantojiet tikai Makita rezerves daļas.

Nefunkcionēšanas stāvoklis	Iemesls	Rīcība
Motorzāģis neiedarbinās.	Nav ievietota akumulatora kasetne.	Ievietojiet uzlādēta akumulatora kasetni.
	Akumulatora problēma (niecīga jauda).	Uzlādējiet akumulatora kasetni. Ja uzlāde nesniedz vēlamu rezultātu, nomainiet akumulatora kasetni.
	Galvenais elektropadeves slēdzis ir izslēgts.	Motorzāģis ir automātiski izslēdzies, ja noteiktu laikposmu ar to neesat strādājis. No jauna ieslēdziet galveno elektropadeves slēdzi.
Zāģa ķēde nekustas.	Ir aktivizēta ķēdes bremze.	Atļaidiet ķēdes bremzi.
Pēc Īsa darbošanās brīža dzinējs noslāpst.	Akumulatora uzlādes līmenis ir par zemu.	Uzlādējiet akumulatora kasetni. Ja uzlāde nesniedz vēlamu rezultātu, nomainiet akumulatora kasetni.
Uz ķēdes nav eļļas.	Eļļas tvertne ir tukša.	Uzpildiet eļļas tvertni.
	Eļļas slīdes rieva ir netīra.	Iztīriet rievu.
	Slihta eļļas padeve.	Ar regulēšanas skrūvi pieregulējiet eļļas padeves daudzumu.
Motorzāģis nesasniedz maksimālo apgriezīu skaitu minūtē.	Akumulatora kasetne ievietota nepareizi.	Akumulatora kasetni uzstādiet, kā aprakstīts šajā rokasgrāmatā.
	Samazinās akumulatora jauda.	Uzlādējiet akumulatora kasetni. Ja uzlāde nesniedz vēlamu rezultātu, nomainiet akumulatora kasetni.
	Piedziņas sistēma nedarbojas pareizi.	Lūdziet, lai pilnvarotā apkopes centrā jūsu reģionā to saremontē.
Elektrobarošanas lampa ir mirgo zaļā krāsā.	Slēdža mēlīte ir parauta, kad nenotiek ekspluatācija.	Slēdža mēlīti paraujiet pēc galvenā elektropadeves slēdža ieslēgšanas un ķēdes bremzes atļaišanas.
Ķēde nepārtrauc kustību pat tad, kad ir aktivizēta ķēdes bremze: <b>nekavējoties apturiet darbarīku!</b>	Bremzes sikсна ir izdilusi.	Lūdziet, lai pilnvarotā apkopes centrā jūsu reģionā to saremontē.
Pārmērīga vibrācija: <b>nekavējoties apturiet darbarīku!</b>	Palaidiet vajīgāk virzošo sliedi vai zāģa ķēdi.	Pieregulējiet virzošās slīdes un zāģa ķēdes nospriegojumu.
	Darbarīks nestrādā.	Lūdziet, lai pilnvarotā apkopes centrā jūsu reģionā to saremontē.
Zāģa ķēdi nevar uzmontēt.	Zāģa ķēde nav saderīga ar ķēdesratu.	Lai uzzinātu, kādas zāģa ķēdes un ķēdesrati ir saderīgi, skatiet tehnisko datu sadaļu.

## PAPILDU PIEDERUMI

**⚠UZMANĪBU:** Šādi piederumi un papildierīces tiek ieteiktas lietošanai ar šajā rokasgrāmatā aprakstīto Makita darbarīku. Izmantojot citus piederumus vai papildierīces, var tikt radīta trauma gūšanas bīstamība. Piederumu vai papildierīci izmantojiet tikai paredzētajam mērķim.

Ja jums vajadzīga palīdzība vai precīzāka informācija par šiem piederumiem, vērsieties savā tuvākajā Makita apkopes centrā.

- Zāģa ķēde
- Virzošā sliede
- Virzošās slīdes vāks
- Vīle

- Instrumentu somiņa
- Makita oriģinālais akumulators un lādētājs

**⚠BRĪDINĀJUMS:** Ja iegādājat virzošo sliedi, kuras garums atšķiras no standarta virzošās slīdes garuma, nopērciet arī piemērotu virzošās slīdes vāku. Tam jāpiegulst un pilnībā jānosedz motorzāģa virzošā sliede.

**PIEZĪME:** Daži sarakstā norādītie izstrādājumi var būt iekļauti instrumenta komplektācijā kā standarta piederumi. Tie dažādās valstīs var būt atšķirīgi.

## SPECIFIKACIJOS

Modelis:		UC014G	UC015G	UC016G	UC017G
Bendrasis ilgis (be kreipimo juostos)		445 mm			
Vardinė įtampa		Nuol. sr. 36 V – 40 V maks.			
Grynasis svoris	*1	4,5 kg			
	*2	6,2–6,9 kg			
Standartinis kreipiamosios juostos ilgis		300 mm	350 mm	400 mm	450 mm
Rekomenduojamas pjovimo juostos ilgis		300–450 mm			
Tinkamas grandininio pjūklo tipas (žr. toliau pateiktą lentelę)		91PX 80TXL			
Žvaigždutė (91PX)	Dantų skaičius	6			
	Pasvirimas	3/8 col.			3/8"
Žvaigždutė (80TXL)	Dantų skaičius	7			
	Žingsnis	0,325"			
Grandinės greitis		0–25,5 m/s (0–1 530 m/min)			
Grandinės alyvos bakelio tūris		260 cm <sup>3</sup>			
Apsaugos laipsnis		IPX4			

• Atliekame tęsinius tyrimus ir nuolat tobuliname savo gaminius, todėl čia pateikiamos specifikacijos gali būti keičiamos be įspėjimo.

• Skirtingose šalyse specifikacijos gali skirtis.

\*1: Svoris be pjūklo grandinės, kreipimo juostos, kreipimo juostos gaubto, alyvos ir akumulatoriaus kasetės (-ių).

\*2: mažiausio ir didžiausio svorių derinys pagal 2014 sausio mėn. EPTA procedūrą. Svoris gali priklausyti nuo priedo (-ų), įskaitant akumulatoriaus kasetę (-es).

### Pjūklo grandinės, kreipimo juostos ir žvaigždutės derinys

Grandininio pjūklo tipas		91PX			
Pavaros jungčių skaičius		46	52	56	62
Pjovimo juosta	Pjovimo juostos ilgis	300 mm	350 mm	400 mm	450 mm
	Pjovimo ilgis	268 mm	324 mm	361 mm	418 mm
	Pasvirimas	3/8 col.			
	Ribotuvus	1,3 mm			
	Tipas	Žvaigždutės antgalio juosta			
Žvaigždutė	Dantų skaičius	6			
	Žingsnis	3/8 col.			

Grandininio pjūklo tipas		80TXL			
Pavaros jungčių skaičius		51	59	64	70
Pjovimo juosta	Pjovimo juostos ilgis	300 mm	350 mm	400 mm	450 mm
	Pjovimo ilgis	259 mm	325 mm	366 mm	416 mm
	Pasvirimas	0,325"			
	Ribotuvus	1,1 mm			
	Tipas	Žvaigždutės antgalio juosta			
Žvaigždutė	Dantų skaičius	7			
	Žingsnis	0,325"			

**ĮSPĖJIMAS:** Naudokite tinkamą pjovimo juostą ir grandininį pjūklą. Antraip galite susižaloti.



# Tinkama akumulatoriaus kasetė ir (arba) įkroviklis

Akumulatoriaus kasetė	BL4040 / BL4050F* *: rekomenduojamas akumulatorius
Įkroviklis	DC40RA / DC40RB / DC40RC

- Atsižvelgiant į gyvenamosios vietos regioną, kai kurios pirmiau nurodytos akumulatoriaus kasetės ir įkrovikliai gali būti neprieinami.

**⚠️ JSPĖJIMAS:** Naudokite tik akumulatoriaus kasetes ir įkroviklius, kurie nurodyti anksčiau. Naudojant bet kurias kitas akumulatoriaus kasetes ir įkroviklius, gali kilti sužeidimo ir gaisro pavojus.











## Rekomenduojamas laidu prijungiamas maitinimo šaltinis

Nešiojamasis maitinimo šaltinis	PDC01
---------------------------------	-------

- Atsižvelgiant į gyvenamosios vietos regioną, pirmiau nurodytas (-i) laidu prijungiamas (-i) maitinimo šaltinis (-iai) gali būti neprieinamas (-i).
- Prieš naudodami laidu prijungiamą maitinimo šaltinį, perskaitykite instrukciją ir ant jų pateiktus perspėjimus.

### Simboliai

Toliau yra nurodyti simboliai, kurie gali būti naudojami įrangai. Prieš naudodami įsitinkinkite, kad suprantate jų reikšmę.

	Perskaitykite instrukcijų vadovą.
	Užsidėkite apsauginius akinius.
	Naudokite ausų apsaugos priemones.
	Naudokite šalmą, apsauginius akinius ir klausos apsaugines priemones.
	Didžiausias leistinasis pjovimo ilgis
	Naudodami pjūklą grandinė, visada dirbkite abiem rankomis.
	Saugokitės grandininio pjūklų atatranksos ir nesilieskite prie pjovimo juostos galiuko.
	Grandinės eigos kryptis
	Grandininio pjūklų alyvos kiekio reguliavimas
	Taikoma tik ES šalis Kadangi įrangoje yra pavojingų komponentų, panaudota elektrinė ir elektroninė įranga, akumulatoriai ir baterijos gali turėti neigiamo poveikio aplinkai ir žmonių sveikatai. Nešalinkite elektros ir elektroninių prietaisų ar baterijų kartu su buitinėmis atliekomis! Pagal Europos direktyvą dėl elektros ir elektroninės įrangos atliekų bei akumuliatorių ir baterijų ir panaudotų akumuliatorių ir baterijų bei jos pritaikymą nacionaliniams įstatymams, panaudota elektros ir elektroninė įranga, baterijos ir akumulatoriai turi būti surenkami atskirai ir pristatomi į atskirą buitinių atliekų surinkimo punktą, kuris veikia pagal aplinkos apsaugos taisykles. Tai rodo perbrauktas konteinerio ant ratukų simbolis, pateiktas ant įrangos.



Garantuojamas garso galios lygis pagal ES lauko triukšmo direktyvą.



Garso galios lygis pagal Australijos NSW triukšmo kontrolės reglamentą

### Numatytoji naudojimo paskirtis

Šis grandininis pjūklas skirtas medžiui pjauti.

### Triukšmas

Įprastas triukšmo A lygis, nustatytas pagal EN62841-4-1:

#### Modelis UC014G

Garso slėgio lygis ( $L_{pA}$ ): 91 dB (A)  
Garso galios lygis ( $L_{WA}$ ): 102 dB (A)  
Paklaida (K): 3 dB (A)

#### Modelis UC015G

Garso slėgio lygis ( $L_{pA}$ ): 91 dB (A)  
Garso galios lygis ( $L_{WA}$ ): 102 dB (A)  
Paklaida (K): 3 dB (A)

#### Modelis UC016G

Garso slėgio lygis ( $L_{pA}$ ): 91 dB (A)  
Garso galios lygis ( $L_{WA}$ ): 102 dB (A)  
Paklaida (K): 3 dB (A)

#### Modelis UC017G

Garso slėgio lygis ( $L_{pA}$ ): 91 dB (A)  
Garso galios lygis ( $L_{WA}$ ): 102 dB (A)  
Paklaida (K): 3 dB (A)

**PASTABA:** Paskelbta (-os) triukšmo reikšmė (-ės) nustatyta (-os) pagal standartinį testavimo metodą ir ji galima naudoti vienam įrankiui palyginti su kitu.

**PASTABA:** Paskelbta (-os) triukšmo reikšmė (-ės) taip pat gali būti naudojama (-os) norint preliminariai įvertinti triukšmo poveikį.

**⚠️ JSPĖJIMAS:** Dėvėkite ausų apsaugą.

**⚠️ JSPĖJIMAS:** Faktiškai naudojant elektrinį įrankį, keliamo triukšmo dydis gali skirtis nuo paskelbtos (-ų) reikšmės (-ių), priklausomai nuo būdų, kuriais yra naudojamas šis įrankis, ir ypač nuo to, kokio tipo ruošinys apdirbamas.

**⚠️ JSPĖJIMAS:** Siekdami apsaugoti operatorių, būtina įvertinkite saugos priemones, remdami vibracijos poveikio įvertinimu esant faktinėms naudojimosi sąlygoms (atsižvelgdami į visas darbo ciklo dalis, pavyzdžiui, ne tik kiek laiko įrankis veikia, bet ir kiek kartų jis yra išjungiamas bei kai jis veikia be apkrovų).

## Vibracija

Vibracijos bendroji vertė (trიაšio vektoriaus suma) nustatyta pagal EN62841-4-1 standartą:

### Modelis UC014G

Darbo režimas: medžio pjovimas

Vibracijos emisija ( $a_{h,w}$ ): 5,0 m/s<sup>2</sup>

Paklaida (K): 1,5 m/s<sup>2</sup>

### Modelis UC015G

Darbo režimas: medžio pjovimas

Vibracijos emisija ( $a_{h,w}$ ): 5,0 m/s<sup>2</sup>

Paklaida (K): 1,5 m/s<sup>2</sup>

### Modelis UC016G

Darbo režimas: medžio pjovimas

Vibracijos emisija ( $a_{h,w}$ ): 5,0 m/s<sup>2</sup>

Paklaida (K): 1,5 m/s<sup>2</sup>

### Modelis UC017G

Darbo režimas: medžio pjovimas

Vibracijos emisija ( $a_{h,w}$ ): 5,0 m/s<sup>2</sup>

Paklaida (K): 1,5 m/s<sup>2</sup>

**PASTABA:** Paskelbta (-os) vibracijos bendroji (-osios) reikšmė (-ės) nustatyta (-os) pagal standartinį testavimo metodą ir ji galima naudoti vienam įrankiui palyginti su kitu.

**PASTABA:** Paskelbta (-os) vibracijos bendroji (-osios) reikšmė (-ės) taip pat gali būti naudojama (-os) norint preliminariai įvertinti vibracijos poveikį.

**⚠️ JSPĖJIMAS:** Faktiškai naudojant elektrinį įrankį, keliamos vibracijos dydis gali skirtis nuo paskelbtos (-ų) reikšmės (-ių), priklausomai nuo būdų, kuriais yra naudojamas šis įrankis, ir ypač nuo to, kokio tipo ruošinys apdirbamas.

**⚠️ JSPĖJIMAS:** Siekdami apsaugoti operatorių, būtina įvertinkite saugos priemones, remdami vibracijos poveikio įvertinimu esant faktinėms naudojimosi sąlygoms (atsižvelgdami į visas darbo ciklo dalis, pavyzdžiui, ne tik kiek laiko įrankis veikia, bet ir kiek kartų jis yra išjungiamas bei kai jis veikia be apkrovų).

## EB atitikties deklaracija

### Tik Europos šalims

EB atitikties deklaracija yra pridėdama kaip šio instrukcijos vadovo A priedas.

# SAUGOS ĮSPĖJIMAI

## Bendrieji įspėjimai dirbant elektriniais įrankiais

**⚠️ JSPĖJIMAS:** Perskaitykite visus saugos įspėjimus, instrukcijas, iliustracijas ir techninius duomenis, pateiktus kartu su šiuo elektriniu įrankiu. Nesaikant visų toliau išvardytų instrukcijų galima patirti elektros smūgi, gali kilti gaisras ir (arba) galima sunkiai susižaloti.

## Išsaugokite visus įspėjimus ir instrukcijas, kad galėtumėte jas peržiūrėti ateityje.

Terminas „elektrinis įrankis“ pateiktuose įspėjimuose reiškia į maitinimo tinklą jungiamą (laidinį) elektrinį įrankį arba akumuliatoriaus maitinamą (belaidį) elektrinį įrankį.

## Bendrieji įspėjimai dėl grandininio pjūklo saugos

- Kai veikia grandininis pjūklas, visos kūno dalys turi būti kuo toliau nuo pjūklo grandinės. Prieš pradėdami dirbti su grandininio pjūkle, įsitikinkite, kad pjūklo grandinė nieko neličia. Dėl nedėmesingumo momento darbo su grandininiais pjūklais metu grandininis pjūklas gali įtraukti drabužius ar sužeisti.**
- Grandininio pjūklo galinę rankeną visada laikykite dešine ranka, o priekinę rankeną – kaire. Susižeidimo rizika didėja grandininį pjūklą laikant priešingai nei buvo minėta, to geriau niekada nedaryti.**
- Laikykite grandininį pjūklą tik už izoliuotų rankenos paviršių, nes pjūklo grandinė gali paliesti paslėptus laidus. Grandininiais pjūklams prisilietus prie laido, kuriuo teka srovė, neizoliuotos metalinės grandininio pjūklo dalys gali sukelti elektros smūgį ir nutrenkti operatorių.**
- Naudokite apsaugines akių priemones. Taip pat rekomenduojamos apsauginės klausos, galvos, rankų, kojų ir pėdų priemonės. Atitinkamos apsauginės priemonės sumažins susižeidimo dėl skriejančių atliekų ar atsitiktinio sąlyčio su pjūklo grandine tikimybę.**
- Nenaudokite grandininio pjūklo medyje, ant kopėčių, stogo ar bet kurios nestabilios atramos. Tokiu būdu naudojant grandininį pjūklą galima sunkiai susižaloti.**
- Visada tvirtai remkitės jomis ir grandininį pjūklą naudokite tik stovėdami ant tvirtos, saugaus ir lygaus paviršiaus. Stovint ant slidžių arba nestabilių paviršių galima prarasti pusiausvyrą arba nesuvaldyti grandininio pjūklo.**
- Pjaudami jėgos veikiamą šaką, saugokitės, kad ji neatšoktų. Kai medžio plaušai atpalaiduojami, jėgos veikiamą šaką gali kliudyti operatorių ir (arba) sutrikdyti grandininio pjūklo veikimą.**
- Būkite ypač atsargūs pjaudami krūmus ir sodinukus. Grandininis pjūklas gali kliudyti plonas medžio daleles ir suplakti jas į jūsų pusę, arba dėl to galite prarasti pusiausvyrą.**

9. Išjungtą ir nuo savęs nusuktą grandininį pjūklą neškite laikydami už priekinės rankenos. Transportuodami ar sandėliuodami grandininį pjūklą visada uždėkite kreipimo juostos gaubtą. Tinkama grandininio pjūklo priežiūra sumažins atsitiktinio sąlyčio su judančia pjūklo grandine tikimybę.
10. **Vadovaukitės tepimo, grandinės įtempimo ir juostos keitimo instrukcija.** Netinkamai įtempta ar sutepta grandinė gali trūkti ar padidinti atatrancos tikimybę.
11. **Skirta tik medienai pjauti. Nenaudokite grandininio pjūklo ne pagal paskirtį. Pavyzdžiui, nenaudokite grandininio pjūklo metalui, plastikui, mūriui ar statybinėms medžiagoms, išskyrus medieną, pjauti.** Jei grandininis pjūklas naudojamas atlikti darbus, kuriems jis nėra skirtas, gali kilti pavojus.
12. **Nebandykite kirsti medžio, kol nesupratote pavojų ir kaip jų išvengti.** Kertant medį gali būti sunkiai sužalotas operatorius ar šalia esantys asmenys.
13. **Atatrancos priežastys ir profilaktiniai operatoriaus veiksmai**

Atatranka gal įvykti tada, kai kreipimo juostos antgalis ar galiukas liečia daiktą arba kai pjūklo grandinė priartėja prie medžio ir įstringa įpovoje. Kai kuriais atvejais galiuko prisilietimas prie objekto gali būti staigios priešingos reakcijos priežastis, kai kreipimo juosta truktelį į viršų link operatoriaus. Spaudžiant pjūklo grandinę viršutinėje kreipimo juostos dalyje, pjovimo juosta gali greitai pasisukti link operatoriaus.

Dėl bet kurios iš šių priežasčių galite nesuvaldyti pjūklo ir rimtai susižeisti. Nepasitikiškite vien tik pjūkle sumontuotais apsauginiais įtaisais. Grandininio pjūklo naudotojai turėtų atlikti keletą veiksmų, siekdami išvengti nelaimingų atsitikimų ir susižeidimų vykdamą pjovimo darbus. Atatranka yra piktnaudžiavimo grandininio pjūklo ir (arba) netinkamų darbo procedūrų ar sąlygų rezultatas, jos galima išvengti vadovaujantis toliau nurodytomis atsargumo priemonėmis.

- **Laikykitė tvirtai, nykščiai bei pirštais suėmę grandininio pjūklo rankenas ir uždėję ant pjūklo abi rankas; kūnas ir ranka turi būti tokioje padėtyje, kad galėtumėte atlaikyti atatrancos jėgas.** Operatorius gali kontroliuoti atatrancos jėgas, jei imasi reikiamų atsargumo priemonių. Nepaleiskite grandininio pjūklo.

#### ► Pav.1

- **Nepersitempkite ir nepjaukite didesniame nei pečių aukštyje.** Tai padeda išvengti nenumatyto galiuko prisilietimo ir suteikia galimybę nenumatytose situacijose geriau valdyti grandininį pjūklą.
- **Naudokite tik gamintojo nurodytas kreipimo juostas ir pjūklo grandines.** Netinkamos keičiamosios kreipimo juostos ir pjūklo grandinės gali sukelti grandinės nutrūkimą ir (arba) atatrancą.
- **Laikykitės gamintojo nurodytų grandininio pjūklo galandimo ir priežiūros instrukcijų.** Dėl sumažinto gylio ribotuvo aukščio gali padidėti atatranka.

14. **Šalinami užstrigusią medžiagą, sandėliuodami grandininį pjūklą ar atlikdami jo techninę priežiūrą, laikykitės visų instrukcijų. Patikrinkite, ar jungiklis išjungtas ir išimtas akumulatoriaus paketas.** Netyčia įjungus grandininį pjūklą, kol šalinamos įstrigusios medžiagos arba atliekama techninė priežiūra, galima sunkiai susižaloti.

## Papildomi nurodymai dėl saugumo

### Asmeninės apsaugos priemonės

1. Rūbai turi būti priglundę, bet nevaržantys judesių.
2. Dirbdami naudokite tokias apsaugos priemones:
  - Patvirtintas saugos šalmas, jei pavojų kelia krintančios šakos ar pan.;
  - Veido kaukė arba apsauginiai akiniai;
  - Tinkama klausos apsauga (ausinės, įprastiniai ar modeliuojami ausų kištukai). Pageidaujant - oktavinė triukšmo analizė.
  - Apsauginės pirštinės iš tvirtos odos;
  - Ilgos kelnės, pasiūtos iš tvirtos medžiagos;
  - Apsauginis kombinezonas iš pjovimui atsparios medžiagos;
  - Apsauginiai batai su neslystančiais padais, plieniniai galais ir pjovimui atsparaus audinio apdaila;
  - Respiratorius, jei dirbant kyla daug dulkių (pvz., pjaunant sausą medį).

### Naudojimas

1. **Prieš pradėdami dirbti patikrinkite, ar grandininis pjūklas yra tinkamas darbiui, ar jis atitinka saugos reikalavimus. Ypač patikrinkite, ar:**
  - tinkamai veikia grandinės stabdys;
  - tinkamai veikia sustojimo stabdys;
  - tinkamai uždėti strypas ir grandininio rato dangtelis;
  - grandinė buvo pagaląsta ir įtempta pagal taisykles.
2. **Nepaleiskite grandininio pjūklo, kai ant jo uždėtas grandinės gaubtas.** Paleidus grandininį pjūklą su uždėtu grandinės gaubtu, grandinės gaubtas gali būti nusviestas ir sužeisti operatorių arba apgadinti šalia jo esančius daiktus.
3. **Kai naudojate įrankį ant purvinos dirvos, drėgno nuolydžio ar slidžios vietos, atkreipkite dėmesį į pagrindą po kojomis.**
4. **Nepanardinkite įrankio į balą.**
5. **Nepalikite įrankio lauke lyjant.**

### Elektros ir akumulatoriaus sauga

1. **Venkite pavojingos aplinkos. Nenaudokite šio įrankio drėgnoje arba šlapijoje vietoje, saugokite jį nuo lietaus.** Į įrankį patekęs vanduo padidins elektros smūgio pavojų.
2. **Nemeskite akumulatoriaus (-ių) į ugnį.** Akumulatoriaus elementas gali sprogti. Pasitikrinkite, ar vietiniai įstatymai nenurodo specialaus išmetimo būdo.
3. **Neatidarykite ir neardykite akumulatoriaus (-ių).** Ištekėjęs elektrolitas yra esdinančioji medžiaga, kuri gali pažeisti akis ar odą. Nurytas jis gali apnuodyti.
4. **Nenaudokite akumulatoriaus lyjant arba drėgnose vietose.**
5. **Nekraukite akumulatoriaus lauke.**
6. **Neimkite įkroviklio, įskaitant įkroviklio kištuką ir gnybtus, drėgnomis rankomis.**

7. Nekeiskite akumulatoriaus lyjant.
8. Nekeiskite akumulatoriaus šlapiomis rankomis.
9. Nepalikite akumulatoriaus lietuje, neįkraukite, nenaudokite ir nekeiskite akumulatoriaus šlapioje arba drėgnoje vietoje.
10. Negalima šlapinti akumulatoriaus kontakto skysčiu, pvz., vandeniu, arba panaudinti akumulatoriaus. Jei kontaktas sušlampa arba į akumulatoriaus vidų patenka skysčio, gali kilti trumpasis akumulatoriaus jungimas ir perkaitimo, gaisro arba sprogdimo pavojus.
11. Išėmę akumuliatorių iš įrenginio arba įkroviklio, būtinai uždėkite akumulatoriaus dangtelį ant akumulatoriaus ir laikykite jį sausoje vietoje.
12. Jei akumulatoriaus kasetė sušlampa, pašalinkite vandenį iš vidaus ir tuomet išvalykite sausa šluoste. Prieš naudodami, visiškai išdžiovinkite akumulatoriaus kasetę sausoje vietoje.

#### Techninė priežiūra ir laikymas

1. Įrankio laikymo vietos neturėtų pasiekti tiesioginiai saulės spinduliai ir lietus; laikykite ten, kur jis nesusižals ir neįkais.

## SAUGOKITE ŠIAS INSTRUKCIJAS.

**⚠️ PERSPĖJIMAS:** NELEISKITE, kad patogumas ir gamtinio pažinimas (įgyjamas pakartotinai naudojant) susilpnintų griežtą saugos taisyklių, taikytinų šiam gaminiui, laikymąsi. Dėl NETINKAMO NAUDOJIMO arba saugos taisyklių, kurios pateiktos šioje instrukcijoje, nesilaikymo galima rimtai susižeisti.

### Svarbios saugos instrukcijos, taikomos akumulatoriaus kasetei

1. Prieš naudodami akumulatoriaus kasetę, perskaitykite visas instrukcijas ir perspėjimus ant (1) akumuliatorių įkroviklio, (2) akumuliatorių ir (3) akumuliatorių naudojančio gamtinio.
2. Neardykite ir negadinkite akumulatoriaus kasetės. Dėl to ji gali užsidegti, per daug įkaisti arba sprogti.
3. Jei įrankio darbo laikas žymiai sutrumpėjo, nedelsdami nutraukite darbą su įrankiu. Tai gali kelti perkaitimo, nudegimų ar net sprogdimo pavojų.
4. Jei elektrolitas pateko į akis, plaukite jas tyru vandeniu ir nedelsdami kreipkitės į gydytoją. Gali kilti regėjimo praradimo pavojus.
5. Neužtrumpinkite akumulatoriaus kasetės:
  - (1) Nelieskite kontaktų degiomis medžiagomis.
  - (2) Venkite laikyti akumulatoriaus kasetę kartu su kitais metaliniais daiktais, pavyzdžiui, vinimis, monetomis ir pan.
  - (3) Saugokite akumulatoriaus kasetę nuo vandens ir lietaus.

- Trumpasis jungimas akumuliatoriuje gali sukelti stiprią srovę, perkaitimą, galimus nudegimus ar net akumulatoriaus gedimą.
6. Nelaikykite ir nenaudokite įrankio ir akumulatoriaus kasetės vietose, kur temperatūra gali pasiekti ar viršyti 50 °C (122 °F).
7. Nedeginkite akumulatoriaus kasetės, net jei yra stipriai pažeista ar visiškai susidėvėjusi. Ugnyje akumulatoriaus kasetė gali sprogti.
8. Akumulatoriaus kasetės nekalkite, nepjauskykite ir nemėtykite ir taip pat į ją netrunkykite kietu daiktu. Taip elgiantis, ji gali užsidegti, per daug įkaisti arba sprogti.
9. Nenaudokite pažeisto akumulatoriaus.
10. Įdėtomis ličio jonų akumulatoriams taikomi Pavojingų prekių teisės akto reikalavimai. Komercinis transportas, pvz., trečiųjų šalių, prekių vežimo atstovų, turi laikytis specialaus reikalavimo ant pakuotės ir ženklavimo. Norėdami paruošti siųstiną prekę, pasitarkite su pavojingų medžiagų specialistu. Be to, laikykitės galimai išsamesnių nacionalinių reglamentų. Užklijuokite juosta arba padenkite atvirus kontaktus ir supakuokite akumuliatorių taip, kad ji pakuo-tėje nejudėtų.
11. Kai išmetate akumulatoriaus kasetę, išimkite ją iš įrankio ir išmeskite saugioje vietoje. Vadovaukitės vietos reglamentais dėl akumuliatorių išmetimo.
12. Baterijas naudokite tik su „Makita“ nurodytais gaminiiais. Baterijas įdėjus į netinkamus gaminius gali kilti gaisras, gaminys pernelyg įkaisti, kilti sprogdimas arba pratekėti elektrolitas.
13. Jei įrankis bus ilgą laiką nenaudojamas, akumuliatorių būtina išimti iš įrankio.
14. Darbo metu ir po akumulatoriaus kasetė gali būti įkaitusi ir dėl to nudeginti. Imdami akumuliatorių kasetes, būkite atsargūs.
15. Tuojau pat po naudojimo nelieskite įrankio gnybtų, nes jie gali būti įkaitę tiek, kad nudegins.
16. Neleiskite, kad į akumulatoriaus kasetės gnybtus, angas ir griovelius patektų drožlių, dulkių ar žemių. Jos gali sukelti kaitimą, užsidegti, sprogti ir sukelti įrankio ar akumulatoriaus kasetės gedimą, dėl ko galima nusidiegti ar susižaloti.
17. Jeigu įrankis nėra pritaikytas naudoti šalia aukštos įtampos elektros linijų, akumulatoriaus kasetės nenaudokite šalia aukštos įtampos elektros linijų. Dėl to gali sutrikti įrankio ar akumulatoriaus kasetės veikimas arba jie gali sugesti.
18. Laikykite akumuliatorių vaikams nepasiekiamoje vietoje.

## SAUGOKITE ŠIAS INSTRUKCIJAS.

**⚠️ PERSPĖJIMAS:** Naudokite tik originalų „Makita“ akumuliatorių. Neoriginalaus „Makita“ arba pakeisto akumulatoriaus naudojimas gali nulemti gaisrą, asmens sužalojimą ir pažeidimą. Tai taip pat panaikina „Makita“ suteikiamą „Makita“ įrankio ir įkroviklio garantiją.

## Patarimai, ką daryti, kad akumuliatorius veiktų kuo ilgiau

1. Pakraukite akumuliatoriaus kasetę prieš jai visiškai išsikraunant. Visuomet nustokite naudoti įrankį ir pakraukite akumuliatoriaus kasetę, kai pastebite, kad įrankio galia sumažėjo.
2. Niekada nekraukite iki galo įkrautos akumuliatoriaus kasetės. Perkraunant trumpėja akumuliatoriaus eksploatacijos laikas.

3. Akumuliatoriaus kasetę kraukite esant kambario temperatūrai 10 - 40 °C. Prieš pradėdami krauti, leiskite įkaitusiai akumuliatoriaus kasetei atvėsti.
4. Kai akumuliatoriaus kasetės nenaudojate, ją išimkite iš įrankio ar įkroviklio.
5. Įkraukite akumuliatoriaus kasetę, jei jos nenaudojate ilgą laiką (ilgiau nei šešis mėnesius).

## DALIŲ APRAŠYMAS

► Pav.2

1	Akumuliatoriaus kasetė	2	Priekinis rankų apsauginis gaubtas	3	Svirtelė
4	Įjovimo juosta	5	Įpjūklo grandinė	6	Reguliavimo ratukas
7	Pagrindinio maitinimo lemputė	8	Pagrindinis maitinimo jungiklis	9	Atlaisvinimo svirtelė
10	Galinė rankena	11	Gaidukas	12	Priekinė rankena
13	Alyvos bakelio dangtelis	14	Įjovimo juostos gaubtas	15	Reguliavimo sraigtas (alyvos siurbliui)
16	Grandinės gaudyklė	-	-	-	-

## VEIKIMO APRAŠYMAS

**▲ PERSPĖJIMAS:** Prieš pradėdami reguliuoti arba tikrinti įrankio veikimą, visuomet būtinai išjunkite įrankį ir išimkite akumuliatoriaus kasetę.

### Akumuliatoriaus kasetės uždėjimas ir nuėmimas

**▲ PERSPĖJIMAS:** Prieš įdėdami arba išimdami akumuliatoriaus kasetę, visada išjunkite įrankį.

**▲ PERSPĖJIMAS:** Įdėdami arba išimdami akumuliatoriaus kasetę, tvirtai laikykite įrankį ir akumuliatoriaus kasetę. Jeigu įrankį ir akumuliatoriaus kasetę laikysite netvirtai, jie gali išslysti iš jūsų rankų, todėl įrankis ir akumuliatoriaus kasetė gali būti sugadinti, o naudotojas sužalotas.

- Pav.3: 1. Raudonas sandariklis (indikatorius)  
2. Mygtukas 3. Akumuliatoriaus kasetė

Jei norite išimti akumuliatoriaus kasetę, ištraukite ją iš įrankio, stumdami mygtuką, esantį kasetės priekyje.

Jei norite įdėti akumuliatoriaus kasetę, ant akumuliatoriaus kasetės esantį liežuvėlį sutapdinkite su korpuse esančiu grioveliu ir įstumkite jį į skirtą vietą. Įstatykite iki pat galo, kad spragtelėdama užsikisų. Jeigu matote raudoną sandariklį (indikatorių), kaip parodyta paveikslėlyje, ji nėra visiškai užfiksuota.

**▲ PERSPĖJIMAS:** Akumuliatoriaus kasetę visada įkiškite iki galo, kol nebematysite raudono sandariklio (indikatoriaus) Priešingu atveju ji gali atsitiktinai iškristi iš įrankio ir sužeisti jus arba aplinkinius.

**▲ PERSPĖJIMAS:** Nekiškite akumuliatoriaus kasetės įgė. Jeigu kasetė sunkiai lenda, ją kiškite netinkamai.

## Likusios akumuliatoriaus galios rodymas

Paspauskite akumuliatoriaus kasetės tikrinimo mygtuką, kad būtų rodoma likusi akumuliatoriaus energija. Maždaug trims sekundėms užsidegs indikatorių lemputės.

- Pav.4: 1. Indikatorių lemputės 2. Tikrinimo mygtukas

Indikatorių lemputės			Likusi galia
Šviečia	Nešviečia	Blyksi	
■ ■ ■ ■		▬	75 - 100 %
■ ■ ■ □			50 - 75 %
■ ■ □ □			25 - 50 %
■ □ □ □			0 - 25 %
▬ □ □ □			Įkraukite akumuliatorių.
■ ■ □ □			Galimai įvyko akumuliatoriaus veikimo triktis.
□ □ ■ ■			

**PASTABA:** Rodmuo gali šiek tiek skirtis nuo faktinės energijos lygio – tai priklauso nuo naudojimo sąlygų ir aplinkos temperatūros.

**PASTABA:** Veikiant akumuliatoriaus apsaugos sistemai ims mirksėti pirmoji (toliausiai kairėje) indikatorius lemputė.

## Įrankio / akumulatoriaus apsaugos sistema

Įrankyje įrengta įrankio / akumulatoriaus apsaugos sistema. Ši sistema automatiškai atjungia variklio maitinimą, kad įrankis ir akumulatorius ilgiau veiktų. Įrankis automatiškai išsijungs darbo metu esant vienai iš toliau nurodytų įrankio arba akumulatoriaus darbo sąlygų:

### Apsauga nuo perkrovos

Kai akumulatorius naudojamas taip, kad neįprastai padidėja elektros srovė, įrankis automatiškai išsijungia, o pagrindinė maitinimo lemputė žybočia žalia spalva. Tokiu atveju atleiskite įrankio gaiduką ir nutraukite darbą, dėl kurio kilo įrankio perkrova. Tada vėl įjunkite įrankį.

### Apsauga nuo perkaitimo

Jeigu įrankis arba akumulatorius perkaista, įrankis automatiškai išsijungia, o pagrindinė maitinimo lemputė dega raudona spalva. Tokiu atveju, prieš vėl jungdami įrankį, leiskite įrankiui ir akumulatoriui atvėsti.

**PASTABA:** Tikėtina, kad aplinkoje, kurioje labai šilta, suveiks apsauga nuo perkaitimo, todėl įrankis bus išjungtas automatiškai.

### Apsauga nuo visiško išsekimo

Jeigu likusios akumulatoriaus galios nepakanka, įrankis automatiškai išsijungia, o pagrindinė maitinimo lemputė žybočia raudona spalva. Tokiu atveju ištraukite akumuliatorių iš įrankio ir jį įkraukite.

### Apsaugos nuo kitų priežasčių

Apsaugos sistema taip pat apsaugo nuo kitų priežasčių, galinčių pažeisti įrankį, todėl automatiškai jį išjungia. Įrankiui laikinai sustojus arba veikimo metu išsijungus, imkitės visų toliau nurodytų veiksmų ir pašalinkite to priežastis.

1. Išjunkite įrankį, tada vėl įjunkite, kad paleistumėte iš naujo.
2. Įkraukite akumuliatorių (-ius) arba jį (juos) pakeiskite įkrautu (-ais) akumuliatoriumi (-iais).
3. Palaukite, kol įrenginys ir akumulatorius (-iai) atvės.

Jeį, atkūrus apsaugos sistemą, veikimas nepagerėja, kreipkitės į vietos „Makita“ priežiūros centrą.

**PASTABA:** Jei įrankis sustoja dėl pirmiau neapibūdintos priežasties, žr. trikčių šalinimo skyrių.

### Pagrindinis maitinimo jungiklis

**▲ĮSPĖJIMAS:** Kai nenaudojate, visada išjunkite pagrindinį maitinimo jungiklį.

Norėdami įjungti įrankį, paspauskite pagrindinį maitinimo jungiklį. Pagrindinė maitinimo lemputė užsidega žalia spalva. Norėdami išjungti, dar kartą paspauskite pagrindinį maitinimo jungiklį.

- **Pav.5:** 1. Pagrindinė maitinimo lemputė  
2. Pagrindinis maitinimo jungiklis

**PASTABA:** Jei neveikimo sąlygomis paspaudžiamas gaidukas, žalia spalva žybsi pagrindinė maitinimo lemputė. Lemputė blyksi esant vienai iš šių sąlygų.

- Jei įjungiate pagrindinį maitinimo jungiklį, laikydamis nuspaudę atlaisvinimo svirtį ir gaiduką.
- Jei nuspaudžiate gaiduką, kol naudojamas grandinės stabdys.
- Jei atleidžiate grandinės stabdį, laikydamis nuspaudę atlaisvinimo svirtį ir gaiduką.

**PASTABA:** Šis įrankis turi automatinio išjungimo funkciją. Siekiant išvengti atsitiktinio paleidimo, pagrindinis maitinimo jungiklis automatiškai išsijungia, kai gaidukas nėra patraukiamas tam tikrą laiko tarpą po to, kai įjungiamas pagrindinis maitinimo jungiklis.

### Jungiklio veikimas

**▲ĮSPĖJIMAS:** Jūsų pačių saugumui šiame įrankyje įrengta atlaisvinimo svirtelė, kuri neleidžia netyčia įjungti įrankio. **NIEKADA nenaudokite veikiančio įrankio, jeigu nuspaudėte tik gaiduką, nenuspaudę atlaisvinimo svirtelės. PRIEŠ pradėdami vėl naudoti įrankį, atiduokite jį tinkamai suremontuoti į įgaliotąjį techninės priežiūros centrą.**

**▲ĮSPĖJIMAS:** NIEKADA neužklijuokite lipnia juostele ir nepanaikinkite atlaisvinimo svirtelės paskirties bei funkcijos.

**▲PERSPĖJIMAS:** Prieš montuodami akumulatoriaus kasetę įrankyje, visuomet patikrinkite, ar gaidukas tinkamai veikia ir atleistas grįžta į išjungimo padėtį „OFF“.

**PASTABA:** Negalima stipriai spausti gaiduko, nenuspaudus atlaisvinimo svirtelės. Taip galima sugadinti jungiklį.

Yra įrengta atlaisvinimo svirtis, kad gaidukas nebūtų atsitiktinai nuspauštas. Jei norite įjungti įrankį, paspauskite atlaisvinimo svirtį ir patraukite gaiduką. Stipriau spaudžiant jungiklio gaiduką, įrankio veikimo greitis didėja. Atleiskite gaiduką, jeigu norite sustabdyti įrankį.  
► **Pav.6:** 1. Gaidukas 2. Atlaisvinimo svirtelė

### Grandinės stabdžio patikrinimas

**▲PERSPĖJIMAS:** Įjungdami, laikykite grandininį pjūklą abiem rankomis. Galinę rankeną laikykite dešine ranka, o priekinę – kaire ranka. Pjovimo juosta ir grandinė neturi liestis prie jokių daiktų.

**▲PERSPĖJIMAS:** Jeigu atliekant testą grandininis pjūklas tuoj pat neišsijungtų, šio pjūklo jokiais būdais negalima naudoti. Kreipkitės į mūsų įgaliotąjį techninės priežiūros centrą.

1. Paspauskite atlaisvinimo svirtelę, tada paspauskite gaiduką. Grandininis pjūklas tuoj pat išsijungia.
  2. Atbula ranka paspauskite priekinį rankų apsauginį gaubtą. Įsitikinkite, kad grandininis pjūklas iš karto sustoja.
- **Pav.7:** 1. Priekinis rankų apsauginis gaubtas  
2. Atfiksuota padėtis 3. Užfiksuota padėtis

## Nusidėvėjusio stabdžio patikrinimas

**▲PERSPĖJIMAS:** Jei atliekant šį bandymą grandininis pjūklas nesustoja per vieną sekundę, juo nebesinaudokite ir kreipkitės į mūsų įgaliotąjį techninės priežiūros centrą.

Paleiskite grandininį pjūklą, tada visiškai atleiskite gaiduką. Grandininis pjūklas turi sustoti per vieną sekundę.

## Grandinės tepimo reguliavimas

Alyvos siurblio tiekimo normą galite reguliuoti reguliavimo varžtu. Alyvos kiekį galima reguliuoti, sukant varžtą universaliu veržliarakčiu.

► **Pav.8:** 1. Reguliavimo varžtas

## SURINKIMAS

**▲PERSPĖJIMAS:** Prieš darydami ką nors įrankiui visada patikrinkite, ar įrenginys išjungtas, o akumuliatorių kasetė – nuimta.

**▲PERSPĖJIMAS:** Nelieskite grandininio pjūklo plikomis rankomis. Imdami grandininį pjūklą, visuomet mėvėkite pirštines.

## Pjūklo grandinės montavimas arba nuėmimas

**▲PERSPĖJIMAS:** Po naudojimo pjūklo grandinė ir pjovimo juosta vis dar būna įkaitusios. Prieš atlikdami bet kokius įrankio remonto ar tikrinimo darbus, palaukite, kol jie atvės.

**▲PERSPĖJIMAS:** Pjūklo grandinės montavimo arba nuėmimo procedūrą reikia atlikti švarioje vietoje, kur nėra pjuvenų ir panašiai.

## Pjūklo grandinės montavimas

Norėdami sumontuoti pjūklo grandinę, atlikite šiuos veiksmus:

1. Patraukdami priekinę rankos apsaugą, atleiskite grandinės stabdį.
2. Spausdami svirties kraštą, patraukite ją į viršų.  
► **Pav.9:** 1. Svirtelė
3. Sukite svirtelę prieš laikrodžio rodyklę, kol nusiims žvaigždutės gaubtas.  
► **Pav.10:** 1. Svirtelė 2. Žvaigždutės gaubtas
4. Nuimkite žvaigždutės gaubtą.
5. Patikrinkite pjūklo grandinės kryptį. Sutapdinkite pjūklo grandinės kryptį su žyme ant grandininio pjūklo korpuso.  
► **Pav.11:** 1. Žyma ant grandininio pjūklo korpuso
6. Įtaisykite vieną pjūklo grandinės galą ant kreipimo juostos viršaus.
7. Sumontuokite kitą pjūklo grandinės galą aplink žvaigždutę, tada prijunkite kreipimo juostą prie grandinio pjūklo korpuso.  
► **Pav.12:** 1. Žvaigždutė

8. Sukite reguliavimo ratuką link „–“, kad reguliavimo kaištis slystų rodyklės kryptimi.

► **Pav.13:** 1. Reguliavimo ratukas 2. Reguliavimo kaištis

9. Uždėkite žvaigždutės gaubtą ant grandininio pjūklo taip, kad reguliavimo kaištis būtų mažojoje kreipiamosios juostos kiaurymėje.

► **Pav.14:** 1. Žvaigždutės gaubtas 2. Pjovimo juosta 3. Anga

10. Norėdami išlaikyti laisvumą grandinės įtempiai reguliuoti, iki galo pasukite svirtį pagal laikrodžio rodyklę ir tada šiek tiek atleiskite ją.

11. Sureguliuokite grandinės įtempį. Procedūros ieškokite skirsnyje „Pjūklo grandinės įtempio reguliavimas“.

12. Sukite svirtį prieš laikrodžio rodyklę, kol žvaigždutės gaubtas bus fiksuojamas, tada ją grąžinkite į pradinę padėtį.

► **Pav.15:** 1. Svirtelė 2. Žvaigždutės gaubtas

## Pjūklo grandinės nuėmimas

Norėdami nuimti pjūklo grandinę, atlikite šiuos veiksmus:

1. Patraukdami priekinę rankos apsaugą, atleiskite grandinės stabdį.
2. Sukite reguliavimo ratuką krypties „–“ link, kad sumažintumėte pjūklo grandinės įtempimą.  
► **Pav.16:** 1. Reguliavimo ratukas
3. Spausdami svirties kraštą, patraukite ją į viršų.  
► **Pav.17:** 1. Svirtelė
4. Sukite svirtelę prieš laikrodžio rodyklę, kol nusiims žvaigždutės gaubtas.  
► **Pav.18:** 1. Svirtelė 2. Žvaigždutės gaubtas
5. Nuimkite žvaigždutės gaubtą, tada pjūklo grandinę ir kreipiamąją juostą nuo grandininio pjūklo korpuso.

## Pjūklo grandinės įtempimo reguliavimas

**▲PERSPĖJIMAS:** Pjūklo grandinės montavimo arba nuėmimo procedūrą reikia atlikti švarioje vietoje, kur nėra pjuvenų ir panašiai.

**▲PERSPĖJIMAS:** Neperveržkite pjūklo grandinės. Dėl per didelio pjūklo grandinės įtempimo ji gali nutrūkti, gali nusidėvėti pjovimo juosta, arba sulūžti reguliavimo ratukas.

**▲PERSPĖJIMAS:** Per daug atlaisvinta grandinė gali nukristi nuo juostos, todėl kelia sužalojimo pavojų.

Pjūklo grandinė atsilaisvina tik po daugelio darbo valandų. Prieš naudojimą retkarčiais patikrinkite pjūklo grandinės įtempimą.

1. Spausdami svirties kraštą, patraukite ją į viršų.  
► **Pav.19:** 1. Svirtelė
2. Šiek tiek pasukite svirtį prieš laikrodžio rodyklę, kad atlaisvintumėte žvaigždutės gaubtą.  
► **Pav.20:** 1. Svirtelė 2. Žvaigždutės gaubtas

3. Šiek tiek pakelkite kreipiamąją juostą ir sureguliuokite grandinės įtempimą. Sukite reguliavimo ratuką „-“ kryptimi, kad atlaisvintumėte, o norėdami priveržti, sukite „+“ kryptimi. Veržkite pjūklo grandinę tol, kol apatinė pjūklo grandinės pusė įsitaisys pjovimo juostos griovelyje, kaip parodyta.

► **Pav.21:** 1. Reguliavimo ratukas 2. Pjovimo juosta 3. Pjūklo grandinė

4. Prilaikydami pjovimo juostą, priveržkite žvaigždutės gaubtą. Įsitinkinkite, kad pjūklo grandinė nėra atsilaisvinusi apatinėje dalyje.

5. Sugražinkite svirtį į jos pradinę padėtį.

Įsitinkinkite, kad pjūklo grandinė tvirtai prigludusi prie juostos apatinės pusės.

## NAUDOJIMAS

### Tepimas

▲ **PERSPĖJIMAS:** Nenaudokite grandininio pjūklo, kai bakelis tuščias. Tinkamu laiku, kol bakelis visiškai neištuštėjo, papildykite alyvos.

▲ **PERSPĖJIMAS:** Stenkitės, kad alyvos nepakliūtų ant odos ir į akis. Patekus į akis, šios sudirgsta. Patekus į akis, nedelsdami išplaukite jas švariu vandeniu ir tuoj pat susisiekitė su gydytoju.

▲ **PERSPĖJIMAS:** Niekada nenaudokite panaudotos alyvos. Panaudojote alyvoje yra kancerogeninių medžiagų. Dėl panaudotoje alyvoje esančių teršalų greičiau susidėvi alyvos siurblys, juosta ir grandinė. Panaudota alyva kenkia aplinkai.

**PASTABA:** Kai grandininis pjūklas naudojamas pirmą kartą, gali tekti palaukti maždaug dvi minutes, kol pjūklo mechanizmas bus pradėtas tepti pjūklo grandinės alyva. Leiskite pjūklui veikti be apkrovos, kol bus pradėtas tepimas.

**PASTABA:** Pirmą kartą pripylus grandinės alyvos arba pakartotinai pripildant ištuštintą alyvos bakelį, pripilkite alyvos iki pildymo angos apatinio krašto. Kitaip bus blogiau tiekiamas alyva.

**PASTABA:** Naudokite tik „Makita“ grandininiam pjūklams skirtą arba tapačią alyvą, kurią galite įsigyti savo šalyje.

**PASTABA:** Niekada nenaudokite alyvos, kurioje yra dulkių ir dalelių, arba lakios alyvos.

**PASTABA:** Genėdami medžius, naudokite botaninį aliejų. Mineralinė alyva gali pažeisti medžius.

**PASTABA:** Prieš išpjaudami, įsitinkinkite, kad alyvos bakelio dangtelis yra prisuktas.

Tuo metu, kai įrankis įjungtas, pjūklo grandinė tepama automatiškai. Per alyvos kiekio nustatymo langelį reguliariai tikrinkite, kiek bakelyje liko alyvos.

► **Pav.22:** 1. Alyvos bakelio dangtelis 2. Alyvos kiekio nustatymo langelis

Norėdami pripilti alyvos, atlikite toliau nurodytus veiksmus.

1. Nuvalykite sritį aplink alyvos bakelio dangtelį, kad į alyvos bakelį nepatektų jokio purvo.

2. Paguldykite grandininį pjūklą ant šono.

3. Paspauskite ant alyvos bakelio dangtelio esantį mygtuką taip, kad kitoje pusėje esantis mygtukas iššoktų, o tada nuimkite alyvos bakelio dangtelį jį pasukdami.

► **Pav.23:** 1. Alyvos bakelio dangtelis 2. Priveržti 3. Atlaisvinti

4. Pripildykite alyvos bakelį alyvos. Tinkamas alyvos kiekis yra 260 ml.

5. Tvirtai užsukite alyvos bakelio dangtelį.

6. Kruopščiai nuvalykite išsiliejusią, grandinei tepti skirtą alyvą.

**PASTABA:** Jeigu sunku nuimti alyvos bakelio dangtelį, įkiškite į alyvos bakelio dangtelio lizdą veržliaraktį ir nuimkite alyvos bakelio dangtelį jį pasukdami prieš laikrodžio rodyklę.

► **Pav.24:** 1. Lizdas 2. Veržliaraktis

Papildę, grandininį pjūklą laikykite toliau nuo medžio. Įjunkite jį ir laukite, kol pjūklo grandinė bus pakankamai sutepta.

► **Pav.25**

### Darbas grandininio pjūklu

▲ **PERSPĖJIMAS:** Pirmą kartą naudodamas pjūklą, naudotojas būtinai jį išbandyti, įjaudamas rąstus ant ožio arba atramos malkoms pjauti.

▲ **PERSPĖJIMAS:** Pjaudami pjautinę medieną, naudokite saugią atramą (ožį malkoms pjauti arba atramą). Nepripauskite ruošinio pėda ir neleiskite, kad jį laikytų arba paremtų kitas žmogus.

▲ **PERSPĖJIMAS:** Įtvirtinkite apvalius ruošinius, kad jie nesisuktų.

▲ **PERSPĖJIMAS:** Varikliui veikiant, grandininį pjūklą laikykite atokiau nuo kūno dalių.

▲ **PERSPĖJIMAS:** Varikliui veikiant, grandininį pjūklą laikykite tvirtai abiem rankomis.

▲ **PERSPĖJIMAS:** Nepersitempkite. Visuomet tvirtai stovėkite ant žemės, išlaikykite pusiausvyrą.

**PASTABA:** Niekada nenusveskite ar nenumeskite įrankio.

**PASTABA:** Neuždenkite įrankio ventilacijos angų.

Prieš įjungdami grandininį pjūklą, jo korpusu palieskite norimą pjauti šaką. Antraip pjovimo juosta gali pradėti svirduliuoti ir sužeisti operatorių. Pjautinę medį pjaukite tiesiog ją judindami žemyn, naudodami grandininio pjūklo svorį.

► **Pav.26**

Jei nepavyksta supjauti medienos vienu judesiu: trupučių paspauskite rankeną ir toliau pjaukite, šiek tiek atitraukdami grandininį pjūklą atgal; po to nuleiskite dantuotą atramą trupučių žemiau ir pabaukite pjovimą, pakeldami rankeną.

► **Pav.27**



## Medžių pjovimas rąstams

1. Atremkite grandininio pjūklų korpuso apatinį kraštą į pjautiną medį.

► **Pav.28**

2. Įjungę grandininį pjūklą, pjaukite medį, galinę rankeną naudodami pjūklui atkelti, o priekinę – jam valdyti. Naudokite dantuotą atramą kaip atsparos tašką.

3. Tęskite pjovimo darbus, truputį paspausdami priekinę rankeną, lengvai atitraukdami pjūklą atgal. Stumkite žemyn rąstu dantuotą atramą ir vėl pakelkite priekinę rankeną.

**PASTABA:** Atlikę keletą pjūvių, išjunkite grandininį pjūklą tarp pjūvių.

**▲PERSPĖJIMAS:** Jeigu pjaunate viršutiniu pjovimo juostos kraštu, grandinei įstrigus, grandininį pjūklą gali atmesti į jus. Dėl šios priežasties pjaukite apatinio kraštu, kad įstrigimo atveju pjūklas būtų nukreiptas šalin nuo jūsų kūno.

► **Pav.29**

Kai pjaunate įtemptą medį, pradžioje pjaukite įtemptą pusę (A). Tada atlikite paskutinį pjūvį, naudodami įtemptą pusę (B). Tai neleidžia pjovimo juostai įstrigti.

► **Pav.30**

## Šakų genėjimas

**▲PERSPĖJIMAS:** Šakas genėti gali tik apmokyti asmenys. Pavojų kelia atatrąnkos rizika.

Genėdami šakas, jeigu įmanoma, atremkite grandininį pjūklą į kamieną. Nepjaukite pjovimo juostos galu, nes kyla atatrąnkos pavojus.

Saugokitės įtemptų šakų. Nepjaukite iš apačios neparemtų šakų. Genėdami šakas nestovėkite ant nukirsto kamieno.

## Įpjovimai ir lygiagretūs pluoštai pjūviai

**▲PERSPĖJIMAS:** Įpjovimus ir lygiagrečius pluoštus pjūvius gali atlikti tik specialiai apmokyti asmenys. Atatrąnkos galimybė kelia pavojų susižeisti.

Lygiagrečius pluoštus pjūvius atlikite kaip įmanoma bukesniu kampu. Pjaudami būkite itin atsargūs, kadangi dantuotos atramos naudoti negalima.

► **Pav.31**

## Kirtimas

**▲PERSPĖJIMAS:** Medžius kirsti gali tik apmokyti asmenys. Šis darbas yra pavojingas.

Norėdami nukirsti medį, vadovaukitės vietiniais reglamentais.

► **Pav.32:** 1. Kirtimo vieta

- Prieš pradėdami kirtimo darbus, patikrinkite, ar:
  - netoliese yra tik su kirtimo darbais susiję asmenys;
  - visi asmenys turi laisvą atsitraukimo kelią maždaug 45° kampu iš abiejų kirtimo ašies pusių; atsižvelkite į papildomą pavojų užkliūti už elektros laidų;

- prie medžio kamieno pagrindo nėra jokių pašalinių daiktų, šaknų ir nelygumų;
- nėra žmonių ar daiktų arčiau nei per 2,5 medžio ilgio medžio kritimo kryptimi.

- Kirsdami bet kurį medį, atsižvelkite į tokius dalykus:
    - pasvirimo kryptį;
    - nulūžusias arba sausas šakas;
    - medžio aukštį;
    - natūralią nuosvirą;
    - ar medis sutrūnijęs, ar ne.
  - Atkreipkite dėmesį į vėjo greitį ir kryptį. Nevykdykite kirtimo darbų, jei pučia stiprūs gūsiai.
  - Iškilusių šaknų genėjimas Pradžioje nupjaukite storiausius auglius. Pirmą padarykite vertikalus, po to – horizontalų pjūvį.
  - Pasitraukite į šoną nuo krentančio medžio. Užpakalinė krentančio medžio dalis turi būti laisva 45° kampu iš abiejų medžio ašies pusių (žr. į „medžių kirtimo zonos“ piešinį). Saugokitės krentančių šakų.
  - Prieš pradėdami pjauti, suplanuokite ir, jei reikia, išvalykite pabėgimo kelią. Pabėgimo kelias turi eiti atgal ir įstrižai už tikėtinos kritimo linijos, kaip parodyta paveikslėlyje.
- **Pav.33:** 1. Kirtimo kryptis 2. Pavojaus zona 3. Evakuacijos maršrutas

Kirsdami medžius laikykitės toliau nurodytų procedūrų.

1. Įstrižą pjūvį atlikite kuo arčiau žemės. Pirmiausia atlikite horizontalų pjūvį, įpjaudami 1/5–1/3 medžio kamieno skersmens. Nepadarykite per ilgo įstrižo pjūvio. Tada atlikite įstrižinį pjūvį.

► **Pav.34**

**PASTABA:** Įstrižas pjūvis apsprendžia kryptį, kuria kris medis, ir nukreipia jį. Jis atliekamas iš tos pusės, link kurios turės kristi medis.

2. Atlikite galinį pjūvį truputį aukščiau už įstrižo pjūvio pagrindą. Galinis pjūvis turi būti tiksliai horizontalus. Tarp galinio ir įstrižo pjūvio palikite ir neįpjaukite maždaug 1/10 kamieno skersmens. Medžio pluoštai neįpjauto kamieno dalyje tarnauja vietoj lanksto. Laikiniai į galinį pjūvį įkiškite pleištus.

► **Pav.35**

**▲ĮSPĖJIMAS:** Jokiomis aplinkybėmis nepjaukite tiesiai per pluoštą. Antraip medis nukris nepatikrinus.

**PASTABA:** Į galinį pjūvį galima kišti tik plastikinius arba aliumininis pleištus. Geležinius pleištus kišti draudžiama.

## Įrankio nešimas

Prieš nešdami įrankį, būtinai įjunkite grandinės stabdį ir išimkite iš įrankio akumuliatorių. Tada sumontuokite kreipimo juostos dangtį. Taip pat uždenkite akumuliatorių dangtelius.

► **Pav.36:** 1. Pjovimo juostos gaubtas 2. Akumulatoriaus dėklas

# TECHINĖ PRIEŽIŪRA

**▲ PERSPĖJIMAS:** Visuomet įsitikinkite, ar įrankis yra išjungtas ir akumuliatoriaus kasetė yra nuimta prieš atlikdami apžiūrą ir priežiūrą.

**▲ PERSPĖJIMAS:** Atlikdami bet kokį patikrinimą arba techninės priežiūros darbus, visada mūvėkite pirštines.

**PASTABA:** Niekada nenaudokite gazolino, benzino, tirpiklio, spirito arba panašių medžiagų. Gali atsirasti išblukimų, deformacijų arba įtrūkimų.

Kad gamins būtų SAUGUS ir PATIKIMAS, jį taisyti, apžiūrėti ar vykdyti bet kokią kitą priežiūrą ar derinimą turi įgaliotasis kompanijos „Makita“ techninės priežiūros centras; reikia naudoti tik kompanijos „Makita“ pagamintas atsargines dalis.

## Pjūklo grandinės galandimas

**Pjūklo grandinę galąskite, kai:**

- pjaunant drėgną medieną, krenta miltų pavidalo pjūvenos;
- grandinė sunkiai skverbiasi į medieną, net ir stipriai spaudžiant;
- pjovimo kraštas yra aiškiai apgadintas;
- pjaunant medieną, pjūklas slenka kairėn arba dešinėn. (taip nutinka dėl nelygaus pjūklo grandinės išgalandimo arba tik vienos pusės apgadavimo)

Dažnai galąskite pjūklo grandinę, tačiau kiekvieną kartą nugaląskite tik šiek tiek. Dažnai galandant, paprastai pakanka dviejų ar trijų dildės brūkštelėjimų. Keletą kartų pagalandus pjūklo grandinę, ją reikėtų atiduoti į mūsų įgaliotajai techninės priežiūros centrą, kad ją dar kartą pagaląštų.

**Galandimo kriterijai:**

**▲ ĮSPĖJIMAS:** Dėl pernelyg didelio atstumo tarp pjovimo krašto ir gylio ribotuvo padidėja atitranskos pavojus.

► **Pav.37:** 1. Pjovimo dantukų ilgis 2. Atstumas tarp pjovimo krašto ir gylio ribotuvo 3. Mažiausias pjovimo dantukų ilgis (3 mm)

- Visų pjovimo dantukų ilgis privalo būti vienodas. Nevienodo ilgio pjovimo dantukai neleidžia pjūklo grandinei tolygiai sukstis, todėl grandinė gali nutrūkti.
- Kai pjovimo dantukų ilgis tapo 3 mm ar mažiau, negaląskite grandinės. Grandinę reikia pakeisti nauja.
- Narelis storis nustatomas pagal atstumą tarp gylio ribotuvo (apvali noselė) ir pjovimo dantuko krašto.
- Geriausių pjovimo rezultatų pasiekama, kai atstumas tarp pjovimo dantuko krašto ir gylio ribotuvo yra toks, kaip nurodyta toliau.
  - Grandinės ašmenys 91PX: 0,65 mm
  - Grandinės ašmenys 80TXL: 0,65 mm

► **Pav.38**

- Visi pjovimo dantukai turi būti vienodai pagaląsti 30° kampu. Pjovimo dantukus pagalandus skirtingu kampu, kampo grandinė suksis netolygiai ir nelygiai, ji greičiau susidėvės arba net nutrūks.

- Naudokite tinkamą apvalią dildę, kad dantys būtų pagaląsti tinkamu kampu.

- Grandininio pjūklo ašmenys 91PX: 55°
- Grandinės ašmenys 80TXL: 55°

**Dildė ir dildės valdymas**

- Grandininio pjūklo grandinės galandimui naudokite specialią apvalią dildę (papildomas priedas). Įprastos apvalios dildės netinka.
- Toliau nurodyti kiekvienai pjūklo grandinei tinkamų apvalių dildžių skersmenys:
  - Grandinės ašmenys 91PX: 4,0 mm
  - Grandinės ašmenys 80TXL: 4,0 mm
- Dildė turi liesti pjovimo dantuką, tik braukiant ją į priekį. Atbulinio judesio metu atkelkite dildę nuo pjovimo dantuko.
- Pirmiausia pagaląskite trumpiausią pjovimo dantį. Šio trumpiausio pjovimo dantuko ilgis tampa šablonu, galandant visus kitus pjūklo grandinės pjovimo dantukus.
- Nukreipkite dildę taip, kai parodyta piešinyje.

► **Pav.39:** 1. Dildė 2. Pjūklo grandinė

- Dildę lengviau nukreipti, naudojant dildės laikiklį (papildomas priedas). Ant dildės laikiklio pažymėtas teisingas 30° galandimo kampas (sulygiuokite žymes lygiagrečiai su pjūklo grandine) ir prasi-skverbimo gylio ribos (4/5 dildės skersmens).

► **Pav.40:** 1. Dildės laikiklis

- Pagalandę grandinę, patikrinkite gylio ribotuvo aukštį, naudodami grandinės matavimo įrankį (papildomas priedas).

► **Pav.41**

- Specialia plokščia dilde (papildomas priedas) nudildykite bet kokias išsikišusias dalis, kad ir kokios mažos jos būtų.
- Vėl užapvalinkite gylio ribotuvo priekines dalis.

## Pjovimo juostos valymas

Atplaišos ir pjūvenos kaupsis pjovimo juostos griovelyje. Jos gali užkimšti juostos griovelį ir trukdyti tekėti alyvai. Kaskart galąsdami arba keisdami pjūklo grandinę, išvalykite šias atplaišas ir pjūvenas.

► **Pav.42**

## Žvaigždutės gaubto valymas

Atplaišos ir pjūvenos kaupsis žvaigždutės gaubte. Nuimkite žvaigždutės gaubtą ir grandinę nuo įrankio, tada išvalykite atplaišas ir pjūvenas.

► **Pav.43**

## Alyvos tiekimo angos valymas

Darbo metu alyvos tiekimo angoje gali susikaupti smulkių dalelių arba dulkių. Šios dulkės arba dalelės gali sutrikdyti paduodamos alyvos tekėjimą, todėl gali sutrikti visos pjūklo grandinės tepimas. Kai pjovimo juostos galas prastai tepamas grandinės tepimo alyva, išvalykite alyvos tiekimo angą tokiu būdu:

1. Nuimkite nuo įrankio žvaigždutės dangtelį ir pjūklo grandinę.
  2. Pašalinkite smulkias daleles arba dulkes, naudodami ploną atsuktuvą arba panašų įrankį.
- **Pav.44:** 1. Atsuktuvas su grioveliais 2. Alyvos išleidimo anga

3. Įkiškite akumulatoriaus kasetę į įrankį. Patraukite svirtinį gaiduką, kad tekanti grandinės tepimo alyva pašalintų alyvos išleidimo angoje susikaupusias dulkes arba kietas daleles.

4. Ištraukite iš įrankio akumulatoriaus kasetę. Uždėkite ant įrankio žvaigždutės dangtelį ir pjūklo grandinę.

## Pakeiskite žvaigždutę nauja

**⚠ PERSPĖJIMAS:** Susidėvėjęsi žvaigždutė sugadins naują pjūklo grandinę. Tokiu atveju žvaigždutę reikia pakeisti nauja.

Prieš pradėdami montuoti naują pjūklo grandinę, patikrinkite žvaigždutės būklę.

► **Pav.45:** 1. Žvaigždutė 2. Nusidėvinčios sritys

Kesidami žvaigždutę, visada įdėkite naują fiksavimo žiedą.

► **Pav.46:** 1. Fiksavimo žiedas 2. Žvaigždutė

**PASTABA:** Įsitikinkite, kad žvaigždutė įdėta, kaip parodyta paveikslėlyje.

## Įrankio saugojimas

1. Nuvalykite įrankį, prieš sandėliuodami. Nuėmę žvaigždutės gaubtą, nuvalykite nuo įrankio visas atplaišas ir pjuvenas.
2. Nuvalę įrankį, leiskite jam padirbti be apkrovos, kad būtų sutepta pjūklo grandinė ir pjovimo juosta.
3. Įmaukite pjovimo juostą į pjovimo juostos gaubtą.
4. Ištuštinkite alyvos talpyklą.

## Nurodymai dėl periodinės techninės priežiūros

Norėdami užtikrinti ilgą įrenginio naudojimo laiką ir išvengti jo gedimų bei užtikrinti visišką jo saugos funkcijų veikimą, reguliariai atlikite toliau nurodytus techninės priežiūros darbus. Garantijos reikalavimai priimami tik tada, jeigu buvo reguliariai ir tinkamai atliekami šie darbai. Neatliekant nurodytų būtinų techninės priežiūros darbų, gali įvykti nelaimingų atsitikimų! Grandininio pjūklo naudotojui draudžiama atlikti šioje naudojimo instrukcijoje neaprašytus techninės priežiūros darbus. Visus šiuos darbus privalo atlikti mūsų įgaliotasis techninės priežiūros centras.

Tikrintinas elementas / veikimo laikas	Prieš darbą	Kasdien	Kas savaitę	Kas 3 mėnesius	Kasmet	Prieš dedant laikyti
Grandininis pjūklas	Patikrinimas.	✓	-	-	-	-
	Valymas.	-	✓	-	-	-
	Kreipkitės į įgaliotąjį techninės priežiūros centrą.	-	-	-	✓	✓
Pjūklo grandinė	Patikrinimas.	✓	-	-	-	-
	Jei reikia, galandimas.	-	-	-	-	✓
Pjovimo juosta	Patikrinimas.	✓	✓	-	-	-
	Nuimkite nuo grandininio pjūklo.	-	-	-	-	✓
Grandinės stabdys	Patikrinkite, kaip veikia.	✓	-	-	-	-
	Reguliariai tikrinkite įgaliotame techninės priežiūros centre.	-	-	-	✓	-
Grandinės tepimas	Patikrinkite alyvos tiekimo greitį.	✓	-	-	-	-
Gaidukas	Patikrinimas.	✓	-	-	-	-
Atlaisvinimo svirtelė	Patikrinimas.	✓	-	-	-	-
Alyvos bakelio dangtelis	Patikrinkite užveržimą.	✓	-	-	-	-
Grandinės gaudyklė	Patikrinimas.	-	-	✓	-	-
Sraigatai ir veržlės	Patikrinimas.	-	-	✓	-	-

# GEDIMŲ ŠALINIMAS

Prieš kreipdamiesi dėl remonto darbų, pirmiausia patikrinkite gedimus patys. Kilus problemų, apie kurias nepaaiškinta vartotojo vadove, nemėginkite ardyti įrankio. Kreipkitės į įgaliotuosius „Makita“ techninės priežiūros centrus, kuriuose remontui visuomet naudojamos originalios „Makita“ keičiamosios dalys.

Trikties būseną	Priežastis	Veiksmas
Nepavyksta paleisti grandininio pjūklo.	Neįdėta akumuliatoriaus kasetė.	Įdėkite įkrautą akumuliatoriaus kasetę.
	Akumuliatoriaus problema (maža įtampa).	Įkraukite akumuliatorių. Jei įkrauti nepavyksta, akumuliatorių pakeiskite.
	Išjungtas pagrindinis maitinimo jungiklis.	Jei grandininis pjūklas nėra naudojamas tam tikrą laiką, jis išjungiamas automatiškai. Dar kartą paspauskite pagrindinį maitinimo jungiklį.
Nesisuka pjūklo grandinė.	Įjungtas grandinės stabdys.	Atleiskite grandinės stabdį.
Po trumpo naudojimo laikotarpio variklis nustoja veikti.	Mažas akumuliatoriaus įkrovos lygis.	Įkraukite akumuliatorių. Jei įkrauti nepavyksta, akumuliatorių pakeiskite.
Ant grandinės nėra alyvos.	Tuščias alyvos bakelis.	Pripildykite alyvos bakelį.
	Nešvarus alyvos nukreipimo griovelis.	Išvalykite griovelį.
	Prastai tiekiamą alyvą.	Reguliuojant sraigtą pakoreguokite tiekiamos alyvos kiekį.
Grandininis pjūklas nepasiekia didž. aps./min.	Akumuliatoriaus kasetė netinkamai įdėta.	Akumuliatorių įdėkite, kaip aprašyta šiame vadove.
	Mažėja akumuliatoriaus galia.	Pakartotinai įkraukite akumuliatoriaus kasetę. Jei įkrauti nepavyksta, akumuliatoriaus kasetę pakeiskite.
	Netinkamai veikia pavaros sistema.	Dėl remonto darbų kreipkitės į regiono įgaliotąjį techninės priežiūros centrą.
Pagrindinė maitinimo lemputė žybsi žalia spalva.	Gaidukas paspaudžiamas neveikimo sąlygomis.	Paspaudę pagrindinį maitinimo jungiklį ir atleidę grandinės stabdį, paspauskite gaiduką.
Grandinė nesustoja net aktyvius grandinės stabdį. <b>Nedelsdami sustabdykite įrankį!</b>	Nusidėvėjęs stabdžio juosta.	Dėl remonto darbų kreipkitės į regiono įgaliotąjį techninės priežiūros centrą.
Neįprasta vibracija. <b>Nedelsdami sustabdykite įrankį!</b>	Atsilaisvinusi pjovimo juosta arba pjūklo grandinė.	Pareguliuokite pjovimo juostos arba pjūklo grandinės įtempimą.
	Įrankio triktis.	Dėl remonto darbų kreipkitės į regiono įgaliotąjį techninės priežiūros centrą.
Negalima uždėti pjūklo grandinės.	Netinkamas pjūklo grandinės ir žvaigždutės derinys.	Naudokite tinkamą pjūklo grandinės ir žvaigždutės derinį, peržiūrėję skyrelyje technines sąlygas.

## PASIRENKAMI PRIEDAI

**▲PERSPĖJIMAS:** Šiuos papildomus priedus arba įtaisus rekomenduojama naudoti su šioje instrukcijoje nurodytu „Makita“ bendrovės įrankiu. Naudojant bet kokius kitus papildomus priedus arba įtaisus, gali kilti pavojus sužeisti žmones. Naudokite tik nurodytam tikslui skirtus papildomus priedus arba įtaisus.

Jeigu norite daugiau sužinoti apie tuos priedus, kreipkitės į artimiausią „Makita“ techninės priežiūros centrą.

- Pjūklo grandinė
- Pjovimo juosta
- Pjovimo juostos gaubtas
- Dildė
- Krepšys įrankiui
- Originalus „Makita“ akumuliatorius ir įkroviklis

**▲ISPĖJIMAS:** Jei pirksite kitokio nei standartinę pjovimo juosta ilgio juostą, taip pat įsigykite tinkamą pjovimo juostos gaubtą. Jis turi užsidėti ir visiškai uždengti pjovimo juostą ant grandininio pjūklo.

**PASTABA:** Kai kurie sąraše esantys priedai gali būti pateikti įrankio pakuotėje kaip standartiniai priedai. Jie įvairiose šalyse gali skirtis.

## TEHNILISED ANDMED

<b>Mudel:</b>		<b>UC014G</b>	<b>UC015G</b>	<b>UC016G</b>	<b>UC017G</b>
Üldpikkus (ilma juhtlatita)		445 mm			
Nimipinge		Alalisvool 36 V – 40 V max			
Netokaal	*1	4,5 kg			
	*2	6,2 – 6,9 kg			6,2–6,9 kg
Standardse juhtlati pikkus		300 mm	350 mm	400 mm	450 mm
Juhtlati soovitatav pikkus		300–450 mm			
Sobiv saeketi tüüp (vt alljärgnevat tabelit)		91PX 80TXL			
Ketiratas (91PX)	Hammaste arv	6			
	Samm	3/8"			
Ketiratas (80TXL)	Hammaste arv	7			
	Samm	0,325"			
Keti kiirus		0–25,5 m/s (0–1 530 m/min)			
Ketiõli paagi mahutavus		260 cm <sup>3</sup>			
Kaitseaste		IPX4			

- Meie pideva uuringu- ja arendusprogrammi tõttu võidakse tehnilisi andmeid muuta ilma sellest ette teatamata.
- Tehnilised andmed võivad riigiti erineda.

\*1: Kaal ilma saeketi, juhtlati, juhtlati katte, õli ja akukassetita.

\*2: Kergeima ja raskeima kaalu kombinatsioon EPTA-protseduuri 01/2014 kohaselt. Kaal võib erineda olenevalt lisaseadistest, kaasa arvatud akukassetid.

### Saeketi, juhtlati ja ketiratta kombinatsioon

Saeketi tüüp		91PX			
Veolülide arv		46	52	56	62
Juhtlatt	Juhtlati pikkus	300 mm	350 mm	400 mm	450 mm
	Lõikepikkus	268 mm	324 mm	361 mm	418 mm
	Samm	3/8"			
	Mõõdik	1,3 mm			
	Tüüp	Ketiratta otsa latt			
Ketiratas	Hammaste arv	6			
	Samm	3/8"			

Saeketi tüüp		80TXL			
Veolülide arv		51	59	64	70
Juhtlatt	Juhtlati pikkus	300 mm	350 mm	400 mm	450 mm
	Lõikepikkus	259 mm	325 mm	366 mm	416 mm
	Samm	0,325"			
	Mõõdik	1,1 mm			
	Tüüp	Ketiratta otsa latt			
Ketiratas	Hammaste arv	7			
	Samm	0,325"			

**⚠ HOIATUS:** Kasutage juhtlati ja saeketi sobivat kombinatsiooni. Muidu võib tulemuseks olla kehavigastus.

## Sobiv akukassett ja laadija

Akukassett	BL4040 / BL4050F* *: Soovituslik aku
Laadija	DC40RA / DC40RB / DC40RC

- Mõned eespool loetletud akukassetid ja -laadijad ei pruugi olla teie riigis saadaval.

**⚠ HOIATUS:** Kasutage ainult ülalpool loetletud akukassette ja laadureid. Muude akukassettide ja laadurite kasutamine võib tekitada vigastusi ja/või tulekahju.








## Soovitatud juhtmega ühendatav toiteallikas

Portatiivne akukomplekt	PDC01
-------------------------	-------

- Eespool loetletud juhtmega ühendatavad toiteallikad ei pruugi olla teie riigis saadaval.
- Enne juhtmega ühendatava toiteallika kasutamist lugege neil olevaid juhiseid ja ettevaatusabinõusid.

## Sümbolid

Alljärgnevalt kirjeldatakse tingimärke, mida võidakse seadmetel kasutada. Enne seadme kasutamist tehke endale selgeks nende tähendus.

	Lugege juhendit.
	Kandke kaitseprille.
	Kasutage kõrvakaitsmeid.
	Kandke kiivrit, kaitseprille ja kõrvakaitsmeid.
	Suurim lubatud löikepikkus
	Kettsaega töötamisel kasutage alati kahte kätt.
	Hoiduge kettsae tagasilöögi eest ja vältige kokkupuudet juhtlati otsaga.
	Keti liikumise suund
	Saeketiõli reguleerimine
	Ainult EL-i riikide puhul Seadmes sisalduvate ohtlike osade tõttu võivad elektri- ja elektroonikaseadmete jäätmel, akud ja patareid avaldada negatiivset mõju keskkonnale ja inimeste tervisele. Elektri- ja elektroonikaseadmeid ega akusid ei tohi kõrvaldada koos olmejäätmetega! Euroopa elektri- ja elektroonikaseadmete jäätmel, akude ja patareide ning nende jäätmel direktiivi ja riiklikku õigusesse ülevõtmise kohaselt tuleb elektri- ja elektroonikaseadmete, akude ja patareide jäätmel koguda eraldi ning viia eraldiseisvasse olmejäätmete kogumispunkti, mis tegutseb kooskõlas keskkonnakaitse eeskirjadega. Sellele osutab seadmele paigaldatud läbikriipsutatud ratastega prügikasti sümbol.



Garanteeritud helivõimsustase ELi välitingimustes kasutatavate seadmete mura direktiivi kohaselt.



Helivõimsustase Austraalia NSW mürakontrolli määru kohaselt

## Kavandatud kasutus

Kettsaag on ette nähtud puidu lõikamiseks.

## Müra

Tüüpiline A-korrigeeritud müratase, määratud standardi EN62841-4-1 kohaselt:

### Mudel UC014G

Helirõhutase ( $L_{pA}$ ): 91 dB (A)  
Helivõimsuse tase ( $L_{WA}$ ): 102 dB (A)  
Määramatus (K): 3 dB (A)

### Mudel UC015G

Helirõhutase ( $L_{pA}$ ): 91 dB (A)  
Helivõimsuse tase ( $L_{WA}$ ): 102 dB (A)  
Määramatus (K): 3 dB (A)

### Mudel UC016G

Helirõhutase ( $L_{pA}$ ): 91 dB (A)  
Helivõimsuse tase ( $L_{WA}$ ): 102 dB (A)  
Määramatus (K): 3 dB (A)

### Mudel UC017G

Helirõhutase ( $L_{pA}$ ): 91 dB (A)  
Helivõimsuse tase ( $L_{WA}$ ): 102 dB (A)  
Määramatus (K): 3 dB (A)

**MÄRKUS:** Deklareeritud müra väärtust (väärtuseid) on mõõdetud kooskõlas standardse katsmeetodiga ning seda võib kasutada ühe seadme võrdlemiseks teisega.

**MÄRKUS:** Deklareeritud müra väärtust (väärtuseid) võib kasutada ka mürataseme esmaseks hindamiseks.

**⚠ HOIATUS:** Kasutage kõrvakaitsmeid.

**⚠ HOIATUS:** Müratase võib elektritööriista tegelikkuses kasutamise ajal erineda deklareeritud väärtus(t)est olenevalt tööriista kasutusviisidest ja eriti töödeldavast toorikust.

**⚠ HOIATUS:** Rakendage operaatori kaitsmiseks kindlasti piisavaid ohutusabinõusid, mis põhinevad hinnangulisel müratasemel tegelikul tööolukorras (võttes arvesse tööperioodi kõiki osasid, näiteks korrad, kui seade lülitatakse välja ja seade töötab tühikäigul, lisaks tööajale).

## Vibratsioon

Vibratsiooni koguväärtus (kolmeteljeliste vektorite summa) määratud standardi EN62841-4-1 kohaselt:

### Mudel UC014G

Töörežiim: puidu saagimine

Vibratsiooniindeksi ( $a_{h,w}$ ): 5,0 m/s<sup>2</sup>

Määramatus (K): 1,5 m/s<sup>2</sup>

### Mudel UC015G

Töörežiim: puidu saagimine

Vibratsiooniindeksi ( $a_{h,w}$ ): 5,0 m/s<sup>2</sup>

Määramatus (K): 1,5 m/s<sup>2</sup>

### Mudel UC016G

Töörežiim: puidu saagimine

Vibratsiooniindeksi ( $a_{h,w}$ ): 5,0 m/s<sup>2</sup>

Määramatus (K): 1,5 m/s<sup>2</sup>

### Mudel UC017G

Töörežiim: puidu saagimine

Vibratsiooniindeksi ( $a_{h,w}$ ): 5,0 m/s<sup>2</sup>

Määramatus (K): 1,5 m/s<sup>2</sup>

**MÄRKUS:** Deklareeritud vibratsiooni koguväärtust (-väärtuseid) on mõõdetud kooskõlas standardse katsemeetodiga ning seda võib kasutada ühe seadme võrdlemiseks teisega.

**MÄRKUS:** Deklareeritud vibratsiooni koguväärtust (-väärtuseid) võib kasutada ka mürataseme esmaseks hindamiseks.

**⚠️HOIATUS:** Vibratsioonitase võib elektritööriista tegelikkuses kasutamise ajal erineda deklareeritud väärtus(t)est olenevalt tööriista kasutusviisidest ja eriti töödeldavast toorikust.

**⚠️HOIATUS:** Rakendage operatoori kaitseks kindlasti piisavaid ohutusabinõusid, mis põhinevad hinnangulisel müratasemel tegelikus töösihtolukorras (võttes arvesse tööperioodi kõiki osasid, näiteks korrad, kui seade lülitatakse välja ja seade töötab tühikäigul, lisaks tööajale).

## EÜ vastavusdeklaratsioon

### Ainult Euroopa riikide puhul

EÜ vastavusdeklaratsioon sisaldub käesoleva juhendi Lisas A.

## OHUTUSHOIATUSED

### Üldised elektritööriistade ohutushoiatused

**⚠️HOIATUS:** Lugege läbi kõik selle elektritööriistaga kaasas olevad ohutushoiatused, juhised, joonised ja tehnilised andmed. Järgnevate juhiste eiramine võib põhjustada elektrilöögi, süttimise ja/või raske kehavigastuse.

## Hoidke edaspidisteks viideteks alles kõik hoiatused ja juhtnõbrid.

Hoiatustes kasutatud termini „elektritööriist“ all peetakse silmas elektriga töötavaid (juhtmega) elektritööriistu või akuga töötavaid (juhtmata) elektritööriistu.

## Kettsae üldised ohutushoiatused

- Hoidke kõik kehaosad mootorsaest selle töö ajal eemal. Enne mootorsaes käivitamist veenduge, et saag ei puutuks millegagi kokku.** Hetkeline tähelepanematus mootorsaega töötamise ajal võib põhjustada teie riiete või keha takerdumist saekettil.
- Hoidke alati mootorsaagi parema käega tagumisest käepidemest ja vasaku käega esimesest käepidemest.** Mootorsae hoidmine vastupidist käte asetuses kasutades suurendab kehavigastuse ohtu ja nii ei tohiks kunagi toimida.
- Hoidke mootorsaagi ainult isoleeritud hardepindadest, sest saekett võib puutuda kokku peidetud juhtmehetega.** Pingestatud juhtme lõikamisel saeketiga võivad mootorsae katmata metallosad pingestuda, mille tagajärjel võib seadme kasutaja saada elektrilöögi.
- Kasutage silmakaitseid. Soovitatav on kasutada kuulmis-, pea-, käte-, säärete ja jalalabade lisakaitsevahendeid.** Kaitsevahendid vähendavad vigastuste ohtu juhuslikul kokkupuutel lennleva prahi või saeketiga.
- Ärge kasutage mootorsaagi puu otsas, redelil, katusel või ebastabiilsel pinnal.** Sellisel viisil mootorsae kasutamine võib lõppeda raskete kehavigastustega.
- Toetuge alati korralikule jalgealusele ja kasutage mootorsaagi ainult liikumatul, kindlal ja tasasel pinnal.** Libedad või ebastabiilsed pinnad võivad põhjustada tasakaalu või kontrolli kaotust mootorsae juhtimise üle.
- Pingul oleva puuharu lõikamisel olge valvas elastse järeloomõju suhtes.** Kui pinge puu kiududes vabaneb, võib pingul olnud oks tööriista kasutajat ootamatult tabada ja/või sae kontrolli alt välja lüüa.
- Olge eriti ettevaatlik võsa ja noorte puude saagimisel.** Ohuke materjal võib kergesti puruneda ja piitsana teie poole lennata või teid tasakaalust välja lüüa.
- Kandke mootorsaagi väljalülitatult esikäepidemest ja oma keha eemal hoides. Mootorsae transportimisel või hoiustamisel pange alati juhtikule kate peale.** Mootorsae õige käsitsemine vähendab kokkupuute tõenäosust liikuva saeketiga.
- Järgige õlitamist, keti pingutamist ning lati ja keti vahetamist puudutavaid juhiseid.** Valesti pingutatud või õlitatud kett võib puruneda või suurendada tagasilöögiohtu.
- Lõigake ainult puitu. Ärge kasutage mootorsaagi selleks mitte mõeldud eesmärkidel.** Näiteks ärge kasutage mootorsaagi metalli, plasti, kivi või mitte puidust ehitusmaterjalide lõikamiseks. Mootorsae kasutamine selleks mitte ettenähtud tööde tegemiseks võib tekitada ohtliku olukorra.
- Ärge proovige puud langetada enne, kui olete mõistnud riske ja seda, kuidas neid vältida.** Puidu langetamisel võivad nii kätajaja kui ka kõrvalseisjad raskeid vigastusi saada.

### 13. Tagasilöögi põhjused ja operaatori tegevus selle vältimiseks.

Tagasilöök võib tekkida juhtlati otsa või tera kokkupuutel esemega või kui saekett jääb puidus olevasse lõikekohta kinni.

Otsa kokkupuude võib mõnel juhul põhjustada äkilise vastupidise reaktsiooni, paisates juhtlati üles ja tagasi operaatori suunas.

Saeketi kinnijäämine juhtlati ülalosas võib lükata juhtlati kiiresti kiireristi tagasi operaatori suunas.

Kõik need reaktsioonid võivad põhjustada juhitavuse kaotamise mootorsae üle, mis võib tekitada raskeid kehavigastusi. Ärge lootke ainuüksi saagi integreeritud kaitseeadiste peale. Ketsae kasutajana peate võtma tarvitusele mitu abinõud, et vältida lõiketööde ajal õnnetusi ja vigastusi.

Tagasilöök on mootorsae väärkasutuse ja/või ebaõigete tööoperatsioonide või -tingimuste tulemus, mida on võimalik vältida, kui järgida alljärgnevatid asjakohaseid ettevaatusabinõusid.

- **Säilitage tugev haare, hoides mõlema käe põialde ja näppudega mootorsae käepide-meid ning sättige oma keha ja käsi nii, et suudaksite vastu panna tagasilöögi jõule.** Vastavaid ettevaatusabinõusid kasutusele võttes on operaatoril võimalik kontrollida tagasilöögi jõudu. Ärge laske mootorsaest lahti.

#### ► Joon.1

- **Ärge küünitage saagimisel liiga ette ega saagige õlakõrgusest kõrgemalt.** Sel moel väldite soovimatuid kokkupuuteid saeteraga ja suudate mootorsaagi ootamatutes situatsioonides paremini kontrolli all hoida.
  - **Kasutage ainult tootja kinnitatud asendusjuhtlatte ja saekette.** Valed asendusjuhtlatid ja saeketid võivad põhjustada keti purunemist ja/või tagasilööki.
  - **Järgige tootja juhiseid ketsae teritamise ja hoolduse kohta.** Lõikesügavuse kõrguse vähendamine võib põhjustada suuremat tagasilööki.
14. **Järgige kõiki juhiseid ummistunud materjali eemaldamisel, mootorsae hoidmisel või hooldamisel. Veenduge, et lüliti oleks välja lülitatud ja aku eemaldatud.** Mootorsae ootamatu käivitumine kinnijäänud materjali eemaldamisel või hooldamisel võib põhjustada raskeid vigastusi.

## Lisaohutusnõuded

### Isikukaitsevahendid

1. Riieetus peab olema liibuv, kuid ei tohi takistada liikuvust.
2. Kandke töö ajal järgmist kaitseriietust:
  - Testitud kaitsekiiver, kui ohtu põhjustavad kukkuvad oksad või muu sarnane;
  - Näomask või kaitseprillid;
  - Sobivad kuulmiskaitsevahendid (kõrvaklapid, tavalised või vormitavad kõrvatropid). Nõudmisel teostage mürataseme analüüs.
  - Kindlalt käespüüvad nahast kaitsekindad;
  - Tugevast materjalist valmistatud pikad püksid;

- Rebenemiskindlast materjalist valmistatud kaitsetunked;
- Mittelibisevate taldadega, terasest ninakaitsmetega ja rebenemiskindla voodriga kaitsekingad või -saapad;
- Respiraator, kui teete tööd, mille käigus tekib tolmu (nt kuiva puidu saagimine).

### Kasutamine

1. **Enne töö alustamist kontrollige, kas ketsaag on töökorras ja kas selle seisund vastab ohutuseeskirjade nõuetele. Kontrollige eriti, kas:**
  - ketipidur töötab õigesti;
  - mahakäigupidur töötab õigesti;
  - juhtlati- ja ketikate on õigesti paigaldatud;
  - kett on teritatud ja pingutatud vastavalt eeskirjadele.
2. **Ärge käivitage ketsaagi, kui ketikate on peal.** Kui käivitate ketsaagi, mille ketikate on peal, võib ketikate selle tulemusena paiskuda ettepoole, põhjustades vigastusi ja kahjustades operaatori läheduses olevaid objekte.
3. **Tööriista kasutamisel porisel ja libedal maapinnal või märjal kallakul, pöörake tähelepanu kindlale jalgealusele.**
4. **Ärge ajage tööriista sügavale auku.**
5. **Ärge jätke tööriista järelevalveta vihma kätte.**

### Elektriohutus ja aku ohutu talitlus

1. **Vältige ohtlikke piirkondi. Ärge kasutage seadet niisketes või märgades kohtades ega jätke seda vihma kätte.** Seadmesse sisse sattunud vesi suurendab elektrilöögiohtu.
2. **Ärge visake kasutatud akut (akusid) tulle.** Element võib plahvatada. Kasutatud akude käitlemise võimalikud erinõuded leiate kohalikest eeskirjadest.
3. **Akut (akusid) ei tohi avada ega kahjustada.** Väljavalgunud elektrolüüt on söövitava toimega ning võib kahjustada silmi ja nahka. See võib osutuda allaneelamisel mürgiseks.
4. **Ärge laadige akut vihma käes ega märjas keskkonnas.**
5. **Ärge laadige akut välistingimustes.**
6. **Ärge käsitsege laadurit, sh laaduri pistikut ja laadimisterminale märgade kätega.**
7. **Ärge vahetage akut vihma käes.**
8. **Ärge vahetage akut märgade kätega.**
9. **Ärge jätke akut vihma kätte, samuti ärge laadige, kasutage ega hoiustage akut niiskes või märjas kohas.**
10. **Ärge tehke aku kontakte vee vm vedelikuga märjaks ega asetage akut vette.** Kui kontakt saab märjaks või vedelik tungib aku sisse, võib aku lühistuda ning tekkida ülekuumenemise, süttimise või plahvatuse oht.
11. **Pärast masinast või laadijast aku eemaldamist kinnitage akukate kindlasti akule ja pange aku kuiva kohta hoiule.**
12. **Akukassetti märjaks saamisel laske sellest vesi välja ja pühkige kassetti seejärel kuiva lapiga. Enne kasutamist laske akukassetil kuivas kohas täielikult kuivada.**



## Hoolitus ja hoiudamine

1. Tööriista hoiudamisel vältige otsest päikesevalgust ja vihma ning hoiukoht ei tohiks muuta liiga kuumaks ega niiskeks.

## HOIDKE JUHEND ALLES.

**⚠HOIATUS:** ÄRGE UNUSTAGE järgida toote ohutusnõudeid mugavuse või toote (korduskasutamisega saavutatud) hea tundmise tõttu. VALE KASUTUS või kasutusjuhendi ohutuseeskirjade eiramine võib põhjustada tervisekahjustusi.

## Akukassetiga seotud olulised ohutusjuhised

1. Enne akukasseti kasutamist lugege (1) akulaadiljal, (2) akul ja (3) seadmel olevad juhtnõidid ja hoiatused läbi.
2. Ärge võtke akukasseti lahti ega muutke seda. See võib põhjustada tulekahju, liigset kuumust või plahvatuse.
3. Kui tööaeg järsult lüheneb, siis lõpetage kohe kasutamine. Edasise kasutamise tulemuseks võib olla ülekuumenemisoht, võimalikud põletused või isegi plahvatus.
4. Kui elektrolüüti satub silma, siis loputage silma puhta veega ja pöörduge koheselt arsti poole. Selline õnnetus võib põhjustada pimedaksjäämist.
5. Ärge tekitage akukassetis lühis:
  - (1) Ärge puutuge klemme elektrijuhtidega.
  - (2) Ärge hoidke akukasseti tööriistakastis koos metallesemetega, nagu naelad, mündid jne.
  - (3) Ärge tehke akukasseti märjaks ega jätke seda vihma kätte.

Aku lühis võib põhjustada tugevat elektri-voolu, ülekuumenemist, põletusi ning ka seadet tõsiselt kahjustada.

6. Ärge hoidke ega kasutage tööriista ja akukasseti kohtades, kus temperatuur võib tõusta üle 50 °C (122 °F).
7. Ärge põletage akukasseti isegi siis, kui see on saanud tõsiselt vigastada või on täiesti kurnunud. Akukassetit võib tules plahvatada.
8. Ärge naelutage, löigake, muljuge, visake akukasseti ega laske sel kukkuda, samuti ärge lööge selle pinta kõva esemega. Selline tegevus võib põhjustada tulekahju, liigset kuumust või plahvatuse.
9. Ärge kasutage kahjustatud akut.
10. Sisalduvatele liitium-ioonakudele võivad kohalduda ohtlike kaupade õigusaktide nõuded.

Kaubanduslikul transportimisel, näiteks kolmandate poolte või transpordiettevõtete poolt, tuleb järgida pakendil ja siltidel toodud erinõudeid. Transportimiseks ettevalmistamisel on vajalik pidada nõu ohtliku materjali eksperdiga. Samuti tuleb järgida võimalike riiklike regulatsioonide üksikasjalikumaid nõudeid.

Katke teibiga või varjake avatud kontaktid ja pakendage aku selliselt, et see ei saaks pakendis liikuda.

11. Kasutuskõlbmatuks muutunud akukasseti kõrvaldamiseks eemaldage see tööriistast ja viige selleks ette nähtud kohta. Järgige kasutuskõlbmatuks muutunud aku kõrvaldamisel kohalikke eeskirju.
12. Kasutage akusid ainult Makita heaks kiidetud toodetega. Akude paigaldamine selleks mitte ettenähtud toodetele võib põhjustada süttimist, ülemäärast kuumust, plahvatamist või elektrolüüdi lekkimist.
13. Kui tööriista ei kasutata pika ajaperioodi jooksul, tuleb aku tööriistast eemaldada.
14. Kasutamise ajal ja pärast kasutamist võib akukassetit kuumeneda, mis võib põhjustada põletusi või madala temperatuuri põletusi. Olge kuumade akukasseti kandmisel ettevaatlik.
15. Ärge puudutage tööriista klemmi kohe pärast kasutamist, sest see võib olla kuum ja põhjustada põletusi.
16. Hoidke akukasseti klemmid, avad ja sooned tükikestest, tolmust ja mullast puhtad. See võib põhjustada tööriista või aku ülekuumenemist, süttimist, purunemist ja talitlushäireid, mis võib lõppeda põletuste või kehavigastustega.
17. Kui tööriist ei kannata kasutamist kõrgepingeline lähedal, ärge kasutage akukasseti kõrgepingeline lähedal. Muidu võib tööriist või akukassetit puruneda või sellel tõrge tekkida.
18. Hoidke akut lastele kättesaamatult.

## HOIDKE JUHEND ALLES.

**⚠ETTEVAATUST:** Kasutage ainult Makita originaalakusid. Mitte Makita originaalakude või muudetud akude kasutamine võib põhjustada akude süttimise, kehavigastuse ja kahjustuse. Samuti muudab see kehtetuks Makita tööriista ja laadija Makita garantii.

## Vihjeid aku maksimaalse kasutuse tagamise kohta

1. Laadige akukasseti enne selle täielikku tühjenemist. Kui märkate, et tööriist töötab väiksema võimsusega, peatage töö ja laadige akukasseti.
2. Ärge laadige täielikult laetud akukasseti. Ülelaadimine lühendab akude kasutusiga.
3. Laadige akukasseti toatemperatuuril 10 °C - 40 °C. Enne laadimist laske kuumenenud akukassetil maha jahtuda.
4. Kui te ei kasuta parajasti akukasseti, eemaldage see tööriistast või laadurist.
5. Kui te ei kasuta akukasseti kauem kui kuus kuud, laadige see.

# OSADE KIRJELDUS

## ► Joon.2

1	Akukassett	2	Eesmine käekaitse	3	Hoob
4	Juhtlatt	5	Saekett	6	Regulaatorketas
7	Toitelamp	8	Toitelüliti	9	Lukust avamise hoob
10	Tagumine käepide	11	Lüliti päästik	12	Eesmine käepide
13	Õlipaagi kork	14	Juhtlati kate	15	Reguleerimiskruvi (õlipumbale)
16	Ketipüüdj	-	-	-	-

## FUNKTSIONAALNE KIRJELDUS

**▲ ETTEVAATUST:** Kandke alati hoolt selle eest, et tööriist oleks enne reguleerimist ja kontrollimist välja lülitatud ja akukassett eemaldatud.

### Akukasseti paigaldamine või eemaldamine

**▲ ETTEVAATUST:** Lülitage tööriist alati enne akukasseti paigaldamist või eemaldamist välja.

**▲ ETTEVAATUST:** Akukasseti paigaldamisel või eemaldamisel tuleb tööriista ja akukassetti ei hoita kindlalt paigal hoida. Kui tööriista ja akukassetti ei hoita kindlalt paigal, võivad need käest libiseda ning kahjustada tööriista ja akukassetti või põhjustada kehavigastusi.

### ► Joon.3: 1. Punane näidik 2. Nupp 3. Akukassett

Akukasseti eemaldamiseks libistage see tööriista küljest lahti, vajutades kassetti esiküljel paiknevat nuppu alla.

Akukasseti paigaldamiseks joondage akukasseti keel korpuse soonega ja libistage kassett oma kohale. Sisestage see tervenisti, kuni see lukustub klõpsuga oma kohale. Kui näete joonisel näidatud punast näidikut, pole see täielikult lukustunud.








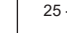

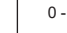

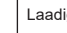

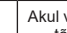

**▲ ETTEVAATUST:** Paigaldage akukassett alati täies ulatuses nii, et punast osa ei jääks näha. Muidu võib adapter juhuslikult tööriistast välja kukkuda ning põhjustada teile või läheduses viibivatele isikutele vigastusi.

**▲ ETTEVAATUST:** Ärge rakendage akukassetti paigaldamisel jõudu. Kui kassett ei lähe kergesti sisse, pole see õigesti paigaldatud.

## Aku jääkmahutavuse näit

Akukassetti järelejäänud mahutavuse kontrollimiseks vajutage kontrollimise nuppu. Märgulambid süttivad mõneks sekundiks.

### ► Joon.4: 1. Märgulambid 2. Kontrollimise nupp

Märgulambid			Jääkmahutavus
 Poleb	 Ei põle	 Vilgub	
			75 - 100%
			50 - 75%
			25 - 50%
			0 - 25%
			Laadige akut.
			Akul võib olla tõrge.

**MÄRKUS:** Näidatud mahutavus võib veidi erineda tegelikust mahutavusest olenevalt kasutustingimustest ja ümbritseva keskkonna temperatuurist.

**MÄRKUS:** Esimene (taga vasakul asuv) märgutuli vilgub, kui akukaitsesüsteem töötab.

## Tööriista/aku kaitsesüsteem

Tööriist on varustatud tööriista või aku kaitsesüsteemiga. Süsteem lülitab mootori automaatselt välja, et pikendada tööriista ja aku tööiga. Tööriist seiskub käitamise ajal automaatselt, kui tööriista või aku kohta kehtib üks järgmistest tingimustest.

## Ülekoormuskaitse

Kui akut kasutatakse viisil, mis põhjustab ebanormaalselt kõrget voolutaset, siis seiskub tööriist automaatselt ja toite märgutuli vilgub roheliselt. Sellisel juhul lülitage tööriist välja ja lõpetage töö, mis põhjustas tööriista ülekoormuse. Pärast seda käivitage tööriist uuesti.

## Ülekuumenemiskaitse

Kui tööriist või aku on ülekuumenenud, seiskub tööriist automaatselt ja toite märgutuli süttib punaselt. Laske sellisel juhul tööriistal ja akul enne tööriista uuesti siselülitamist jahtuda.

**MÄRKUS:** Kõrge temperatuuriga keskkonnas hakkab tööriist tööle ülekuumenemise kaitse ja tööriist peatub automaatselt.

## Ülelaadimiskaitse

Kui aku jäämahtuvus pole piisav, seiskub tööriist automaatselt ja peamine toite märgutuli vilgub punaselt. Sellisel juhul eemaldage akud tööriistast ja laadige akud.

## Kaitse muude olukordade eest

Kaitsesüsteem on mõeldud ka muude olukordade jaoks, mis võivad tööriista kahjustada, ja võimaldab tööriistal automaatselt seiskuda. Kui tööriist on ajutiselt peatatud või seiskunud, toimige põhjuste kõrvaldamiseks järgnevalt.

1. Lülitage tööriist välja ja seejärel taaskäivitamiseks uuesti sisse.
2. Laadige akud (akusid) või asendage laetud aku(de)ga.
3. Laske masinal ja aku(de)l jahtuda.

Kui kaitsesüsteemi taastamisega ei õnnestu olukorda parandada, võtke ühendust kohaliku Makita hoolduskeskusega.

**TÄHELEPANU:** Kui tööriist on seiskunud põhjusel, mida eespool pole kirjeldatud, lugege tõrkeotsingu jaotist.

## Toitelüliti

**⚠️HOIATUS:** Kui seadet ei kasutata, lülitage toitelüliti alati välja.

Tööriista sisselülitamiseks vajutage toitelüliti. Toite märgutuli süttib roheliselt. Väljalülitamiseks vajutage toitelüliti uuesti.

► **Joon.5:** 1. Toite märgutuli 2. Toitelüliti

**MÄRKUS:** Lüliti päästiku vajutamisel mittekasutatavaes olukordades vilgub toitelamp roheliselt. Lamp vilgub ühel järgmistest tingimustest:

- kui lülitate toitelüliti sisse, hoides samal ajal alla lahtilukustuse hooba ja lüliti päästikut;
- kui te tõmbate ketipiduri rakendamisel lüliti päästikut;
- kui te vabastate ketipiduri, hoides samal ajal alla lahtilukustuse hooba ja tõmmates lüliti päästikut.

**MÄRKUS:** Sellel tööriistal on automaatse väljalülitamise funktsioon. Juhukäivituse vältimiseks lülitub toitelüliti automaatselt välja, kui päästiklüliti ei kasutata pärast toitelüliti sisselülitamist teatud aja vältel.

## Lüliti funktsioneerimine

**⚠️HOIATUS:** Ohutuse huvides on sellel tööriistal lukust avamise hoob, mis hoiab ära tööriista ootamatu käivitumise. ÄRGE KUNAGI kasutage tööriista, kui see hakkab tööle lihtsalt lüliti päästiku tõmbamisel, lukust avamise hooba vajutamata. ENNE edasist kasutamist viige masin parandamiseks volitatud teeninduskeskusesse.

**⚠️HOIATUS:** ÄRGE KUNAGI teipige lahtilukustuse hooba kinni ega üritage selle funktsiooni blokeerida.

**⚠️ETTEVAATUST:** Kontrollige alati enne akukasseti tööriista külge paigaldamist, kas lüliti päästik funktsioneerib nõuetekohaselt ja liigub lahtilaskmisel tagasi väljalülitatud asendisse.

**TÄHELEPANU:** Ärge tõmmake lüliti päästikut jõuga ilma lahtilukustuse hooba vajutamata. See võib põhjustada lüliti purunemise.

Lüliti päästiku juhusliku vajutamise vältimiseks on tööriistal vabastushoob. Tööriista käivitamiseks vajutage alla vabastushoob ja vajutage lüliti päästikut. Tööriista kiirus kasvab siis, kui suurendate survet lüliti päästikule. Vabastage seiskamiseks lüliti päästik.

► **Joon.6:** 1. Lüliti päästik 2. Lukust avamise hoob

## Ketipiduri kontrollimine

**⚠️ETTEVAATUST:** Hoidke kettsaagi sisselülitamisel mõlema käega. Hoidke parema käega tagumiset käepidemest ja vasaku käega eesmisest käepidemest. Latt ja kett ei tohi ühegi eseme vastu puutuda.

**⚠️ETTEVAATUST:** Kui saekett selle testi läbiviimisel silmapilkselt ei peatu, ei tohi saagi mitte mingil tingimusel kasutada. Pöördeuge volitatud teeninduskeskuse poole.

1. Tõmmake lukust avamise hooba ja siis vajutage lüliti päästikut. Saekett käivitub silmapilkselt.

2. Vajutage eesmist kätekaitset käeselja abil ettepoole. Kontrollige, kas saekett jääb kohe seisma.

► **Joon.7:** 1. Eesmine käekaitse 2. Lukustamata asend 3. Lukustatud asend

## Mahakäigupiduri kontrollimine

**⚠️ETTEVAATUST:** Kui saekett ei seisku selles testis ühe sekundi jooksul, seisake kettsaag ja pidage nõu volitatud teeninduskeskusega.

Laske saeketil käia ja vabastage seejärel lüliti päästik täielikult. Saekett peab sekundi jooksul seiskuma.

## Keti määrimise reguleerimine

Õlipumba etteandemäära saab reguleerida reguleerimiskruviga. Õlikogust saab reguleerida universaalse mitrivõtmega.

► **Joon.8:** 1. Reguleerimiskruvi

# KOKKUPANEK

**⚠ETTEVAATUST:** Kandke alati hoolt selle eest, et tööriist oleks enne igasuguseid hooldustöid välja lülitatud ja akukassett eemaldatud.

**⚠ETTEVAATUST:** Ärge puudutage saeketti paljaste kätega. Kandke saeketi käsitemisel alati kaitsekindaid.

## Saeketi paigaldamine või eemaldamine

**⚠ETTEVAATUST:** Pärast töötamist on saekett ja juhtlatt endiselt kuumad. Enne mis tahes tööde teostamist tööriistal laske nendel piisavalt maha jahtuda.

**⚠ETTEVAATUST:** Paigaldage ja eemaldage saekett alati puhtas kohas, kus ei ole saepuru ega midagi muud sarnast.

## Saeketi paigaldamine

Saeketi paigaldamiseks toimige järgmiselt.

1. Vabastage ketipidur, tõmmates eesmist käekaitset.
2. Tõmmake hooba üles, vajutades samas selle serva.  
▶ **Joon.9:** 1. Hoob
3. Keerake hooba vastupäeva kuni ketiratta kate maha tuleb.  
▶ **Joon.10:** 1. Hoob 2. Ketiratta kate
4. Eemaldage ketiratta kate.
5. Kontrollige saeketi suunda. Saeketi suund peab vastama kettsae korpusel olevale märgile.  
▶ **Joon.11:** 1. Märgistus kettsae korpusel
6. Asetage saeketi üks ots juhtlati tippu.
7. Paigaldage saeketi teine ots ümber ketiratta ja kinnitage juhtlatt seejärel kettsae korpusele.  
▶ **Joon.12:** 1. Ketiratta
8. Selleks, et libistada reguleerimistihvti noole suunas, keerake regulaatorketast suunas „+“.  
▶ **Joon.13:** 1. Regulaatorketas 2. Reguleerimistihvt
9. Paigaldage ketirattas saeketile nii, et reguleerimistihvt paikneks juhtlati väikeses augus.  
▶ **Joon.14:** 1. Ketiratta kate 2. Juhtlatt 3. Ava
10. Keerake hoob täielikult päripäeva ja seejärel veidi tagasi, et ketipinge reguleerimiseks jääks lõtk.
11. Reguleerige ketipinge. Vt saeketi pinge reguleerimise jaotist.
12. Pöörake hooba päripäeva, kuni ketiratta kate on kinni, ja tooge seejärel algasendisse tagasi.  
▶ **Joon.15:** 1. Hoob 2. Ketiratta kate

## Saeketi eemaldamine

Saeketi eemaldamiseks toimige järgmiselt.

1. Vabastage ketipidur, tõmmates eesmist käekaitset.
2. Saeketi pingsuse vähendamiseks keerake regulaatorketast suunas „-“.  
▶ **Joon.16:** 1. Regulaatorketas
3. Tõmmake hooba üles, vajutades samas selle serva.  
▶ **Joon.17:** 1. Hoob
4. Keerake hooba vastupäeva kuni ketiratta kate maha tuleb.  
▶ **Joon.18:** 1. Hoob 2. Ketiratta kate
5. Eemaldage ketiratta kate; seejärel eemaldage kettsae korpusest saekett ja juhtlatt.

## Saeketi pingsuse reguleerimine

**⚠ETTEVAATUST:** Paigaldage ja eemaldage saekett alati puhtas kohas, kus ei ole saepuru ega midagi muud sarnast.

**⚠ETTEVAATUST:** Ärge saeketti üle pingutage. Saeketi liigne pingsus võib põhjustada saeketi purunemise, juhtlati kulumise ja regulaatorketta purunemise.

**⚠ETTEVAATUST:** Liiga lõtv kett võib latil maha tulla ja põhjustada kehavigastusega õnnetusjuhtumi.

Tundidepikkuse kasutamise järel võib saekett lõdveneda. Enne kasutamist kontrollige aeg-ajalt saeketi pingsust.

1. Tõmmake hooba üles, vajutades samas selle serva.  
▶ **Joon.19:** 1. Hoob
2. Ketiratta katte kergeks lõdvendamiseks keerake hooba veidi vastupäeva.  
▶ **Joon.20:** 1. Hoob 2. Ketiratta kate
3. Tõstke juhtlati ots kergelt üles ja reguleerige keti pingsust. Pöörake regulaatorketast lõdvendamiseks suunas „-“ ja pingutamiseks suunas „+“. Pingutage saeketti, kuni saeketi alumine külg asetub joonisel näidatud moel juhtlati juhikusse.  
▶ **Joon.21:** 1. Regulaatorketas 2. Juhtlatt 3. Saekett
4. Jätke kergelt juhtlati toetamist ning pingutage ketiratta kate. Veenduge, et saekett ei oleks alumisel küljel lõtv.
5. Viige hoob tagasi algasendisse.  
Veenduge, et saekett asetuks tihedalt vastu juhtlati alumist külge.

# TÖÖRIISTA KASUTAMINE

## Õlitamine

**⚠ETTEVAATUST:** Ärge kasutage kettsaagi, kui paak on tühi. Lisage õli õigel ajal, enne paagi tühjenemist.

**⚠ETTEVAATUST:** Vältige õli sattumist nahale ja silma. Silma sattunud õli tekitab ärritust. Kui õli satub silma, loputage silma viivitamatult puhta veega ning pöörduge kohe arsti poole.

**⚠ETTEVAATUST:** Ärge kasutage vana õli. Vana õli sisaldab kantserogeenseid aineid. Vanas õlis sisalduvad saasteained põhjustavad õlipumba, juhtlati ja keti kiiremat kulumist. Kasutatud õli kahjustab keskkonda.

**TÄHELEPANU:** Mootorsae esmakordsel kasutamisel võib kuluda kuni kaks minutit, enne kui avaldub ketiõli saemehhanismi õlitav toime. Laske sael seni koormuseta töötada.

**TÄHELEPANU:** Esimaskordsel ketiõliga täitmisel või täiesti tühjenenud paagi taastäitmisel lisage õli täitekaela alumise ääreni. Vastasel korral võib õliga varustamine olla häiritud.

**TÄHELEPANU:** Kasutage spetsiaalselt Makita jaoks mõeldud saeketiõli või sellega võrdväärset turul saada olevat õli.

**TÄHELEPANU:** Ärge kunagi kasutage tolmust või prügist õli ega lenduvat õli.

**TÄHELEPANU:** Puude kärpimisel kasutage botaanilist õli. Mineraalõli kahjustab puud.

**TÄHELEPANU:** Veenduge enne lõikamist, et komplekti õlipaagi kork oleks kohale keeratud.

Saeketti õlitatakse tööriista kasutamise ajal automaatselt. Kontrollige regulaarselt õlipaagis allesoleva õli kogust õlikontrolli avast.

► **Joon.22:** 1. Õlipaagi kork 2. Õlikontrolli av

Õli lisamiseks toimige järgmiselt.

1. Puhastage paagi korgi ümbrus korralikult, et vältida mustuse sattumist õlipaaki.
2. Pange kettsaag küljele.
3. Vajutage õlipaagi korgil olevat nuppu, nii et teisel pool olev nupp tõuseks üles, seejärel keerake õlipaagi kork lahti ja võtke ära.  
► **Joon.23:** 1. Õlipaagi kork 2. Pingutamine  
3. Lõdvendamine
4. Täitke õlipaak õliga. Õige õlikogus on 260 ml.
5. Kruvige paagi kork korralikult tagasi oma kohale.
6. Pühkige õlipritsmed hoolikalt ära.

**MÄRKUS:** Kui õlipaagi korki on raske eemaldada, sisestage õlipaagi korgi pessa otsvõti ja eemaldage seejärel õlipaagi kork, keerates seda vastupäeva.

► **Joon.24:** 1. Pesa 2. Otsvõti

Pärast täitmist hoidke kettsaag puust eemal. Käivitage saag ja oodake, kuni saekett on piisavalt õlitatud.

► **Joon.25**

## Kettsaega töötamine

**⚠ETTEVAATUST:** Seadme esmakordsel kasutamisel tuleks miinimumnõuete täitmiseks kasutada palkide lõikamiseks saepukki või -raami.

**⚠ETTEVAATUST:** Eelnevalt tükeldatud puidu saagimisel kasutage turvalist alust (saepukk vm alus). Saetavat puitu ei tohi hoida kinni jalaga ega lasta seda kinni hoida teisel inimesel.

**⚠ETTEVAATUST:** Ümarpuit tuleb saagimise ajaks kinnitada.

**⚠ETTEVAATUST:** Hoidke mootori töötamise ajal kõik oma kehaosad saeketist eemal.

**⚠ETTEVAATUST:** Hoidke kettsaagi mootori töötamise ajal tugevasti mölema käega.

**⚠ETTEVAATUST:** Ärge küünitage liiga kaugele ette. Hoidke kogu aeg jalad kindlalt maas ning hoidke tasakaalu.

**TÄHELEPANU:** Ärge visake tööriista ega laske sel maha kukkuda.

**TÄHELEPANU:** Ärge katke kinni tööriista ventilatsiooniasvid.

Enne sae sisselülitamist pange kettsae korpuse alumine serv vastu lõigatavat oksa. Vastasel juhul võib see juhtlati loperdama panna, mille tagajärjeks võib olla operaatori kehavigastus. Saagige lõigatavat oksa, liigutades saagi alla vaid tema enda raskuse jõul.

► **Joon.26**

Kui teil ei õnnestu puitu ühe saagiskorraga läbi lõigata. Avaldage käepidemele kergert survet ja jätkake saagimist, tõmmates kettsaagi pisut tagasi, seejärel rakendage saehambaid pisut madalamal ja lõpetage käepidemest tõstes lõige.

► **Joon.27**

## Läbisaaigimine

1. Toetage kettsae korpuse alumine äär vastu lõigatavat puud.

► **Joon.28**

2. Saagige töötava saeketiga puusse, kasutades sae tõstmiseks tagumist käepidet ja sae suunamiseks eesmist käepidet. Kasutage pöördteljena piiktuge.

3. Jätkake lõikamist, avaldades eesmisele käepidemele kergert survet ja lastes saagi pisut tagasi. Lükake piiktuge sügavamale puitu ja tõstke uuesti eesmist käepidet.

**TÄHELEPANU:** Mitme lõike tegemisel lülitage kettsaag lõigete vahel välja.

**⚠ETTEVAATUST:** Kui lõikamisel kasutatakse lati ülaserava, siis võib kettsaag kinnikiilumise korral kasutaja suunas kalduda. Sel põhjusel lõigake alumise servaga, et saag kalduks kinnikiilumise korral teie kehast eemale.

► **Joon.29**

Lõigates pinge all olevat puitu, lõigake esmalt surve all olevat külge (A). Siis sooritage lõplik lõige pinges olevalt küljelt (B). See hoiab ära lati kinnikiilumise.

► **Joon.30**

## Okste laasimine

**⚠ETTEVAATUST:** Okste laasimist tohivad teha ainult vastava väljaõppega isikud. Siin on ohuks võimalik tagasilöökk.

Okste laasimisel toetage kettsaag võimalusel puutüvele. Ärge löigake lati tipuga, kuna see tekitab tagasilöögi ohu.

Olge eriti tähelepanelik pinge all olevate okste suhtes. Ärge löigake toetamata oksil altpoolt.

Ärge seiske okste laasimise ajal langetatud puu tüvel.

## Uuristamine ja puusüüjoontega paralleelsed lõiked

**⚠ETTEVAATUST:** Uuristamist ja puusüüjoontega paralleelselt lõikamist tohivad teha ainult vastava väljaõppega isikud. Võimaliku tagasilöögi tõttu on oht vigastada saada.

Tehke puusüüjoontega paralleelselt lõikamist võimalikult väikese nurga all. Olge lõikamisel eriti ettevaatlik, kuna piiktuge ei ole võimalik kasutada.

► Joon.31

## Langetamine

**⚠ETTEVAATUST:** Langetamist tohivad teha ainult vastava väljaõppega isikud. See on ohtlik töö.

Kui soovite puud langetada, järgige kohalikke eeskirju.

► Joon.32: 1. Langetamispiirkond

- Enne langetama asumist veenduge, et:
  - läheduses viibiks ainult langetamisega seotud isikud;
  - kõikidel osalevatel isikutel oleks tõkestamata taganemistee ligikaudu 45° ulatuses kummalgi pool puutüve langemisnurka. Lisaks arvestage ka langetatava puu elektriliinidele kukkumise ohuga;
  - langetatava puu kätkeoleva oleks vaba võõrkehade, juurtest ja okstest;
  - langetatava puu kukkumise suunas ei oleks ükski isik ega objekt lähemal kui 2 1/2 puu pikkust.
- Arvestage iga langetatava puu osas järgmist:
  - kaldenurk;
  - lahtised või kuivanud oksad;
  - puu kõrgus;
  - võra;
  - kas puu on mädanenud.
- Arvestage tuule kiiruse ja suunaga. Tugevate tuulepuhangute korral ärge langetama asuge.
- Juurekühmude kärpimine: alustage suurematest kühmudest. Sooritage esmalt vertikaalne, seejärel horisontaalne lõige.
- Seiske langeva puu kõrvale. Hoidke langeva puu tagune ruum 45° ulatuses kummalgi pool kukkumisenurka puhtana (vt joonist „langetamispiirkond“). Olge tähelepanelik kukkuvate okste suhtes.

- Enne saagimise algust peaks vajadusel planeerima taganemistee ja selle takistustest vabastama. Taganemistee peaks suunduma langetamise liinist tahapoole, oodatavast langetamise suunast diagonaalselt vastassuunas, nagu joonisel näidatud.

► Joon.33: 1. Langetamissuund 2. Ohupiirkond 3. Pögenemistee

Puid langetades tegutsege järgmiselt.

1. Tehke viiltune lõige võimalikult maapinna lähedalt. Tehke esmalt horisontaalne lõige sügavusega 1/5–1/3 puutüve läbimõõdust. Ärge löigake liiga viltu. Seejärel tehke diagonaalne lõige.

► Joon.34

**MÄRKUS:** Viiltune lõige määrab puu langemise suuna ning suunab seda. Selline lõige tehakse sellel küljel, millele puud langetada soovitakse.

2. Viiltusel lõikamisel tehke tagumine lõige pisut kõrgemale kui põhilõige. Tagumine lõige peab olema täiesti horisontaalne. Jätke tagumise lõike ja viiltuse lõike vahele ruum, mis vastab ligikaudu 1/10 puutüve läbimõõdust. Puidukiud puutüve lõikamata osas toimivad hingena. Sisestage kiilud viiltusesse langetuslõikesse õigeaegselt.

► Joon.35

**⚠HOIATUS:** Ärge mitte mingil juhul lõigake otse läbi kiudude. Vastasel juhul võib puu kukkuda täiesti kontrollimatult.

**TÄHELEPANU:** Langetuslõike avatuna hoidmiseks võib kasutada ainult plast- või alumiiniumkiilusid. Rauast kiilude kasutamine on keelatud.

## Tööriista kandmine

Enne tööriista kandmist rakendage alati ketipidur ja eemaldage tööriistalt akukassett. Seejärel kinnitage juhtlati kate. Katke akukassett samuti akukattega.

► Joon.36: 1. Juhtlati kate 2. Akukate

## HOOLDUS

**⚠ETTEVAATUST:** Enne kontroll- või hooldustoimingute tegemist kandke alati hoolt selle eest, et tööriist oleks välja lülitatud ja akukassett korpusse küljest eemaldatud.

**⚠ETTEVAATUST:** Tööriista kontrollimisel ja hooldustööde tegemisel kandke alati kindaid.

**TÄHELEPANU:** Ärge kunagi kasutage bensiini, vedeldit, alkoholi ega midagi muud sarnast. Selle tulemuseks võib olla luitumine, deformatsioon või pragunemine.

Toote OHUTUSE ja TÖÖKINDLUSE tagamiseks tuleb vajalikud remonttööd ning muud hooldus- ja reguleerimistööd lasta teha Makita volitatud teeninduskeskustes või tehase teeninduskeskustes. Alati tuleb kasutada Makita varuosi.

## Saeketi teritamine

### Teritage saeketti siis, kui:

- niiske puidu saagimisel tekib jahune saepuru;
- kett läbibast puitu raskustega isegi tugeva surve avaldamisel;
- lõikeserval on silmnähtavad vigastused;
- saag kisub puidus paremale või vasakule (seda põhjustab saeketi ebaühtlane teritatus või ainult ühe külje vigastus).

Teritage saeketti sagedasti, kuid ainult natukese haaval. Rutiinsel teritamisel piisab enamasti kahest või kolmest viilitõmbest. Pärast saeketi mitmekordset teritamist laske seda teritada meie volitatud teeninduskeskuses.

### Teritamiskriteeriumid

**▲HOIATUS:** Lõikeserva ja sügavuspiiraja vaheline liiga suur vahemaa suurendab tagasilöögi ohtu.

- **Joon.37:** 1. Lõikuri pikkus 2. Lõikeserva ja sügavuspiiraja vahemaa 3. Lõikuri minimaalne pikkus (3 mm)

- Kõik lõikurid peavad olema võrdse pikkusega. Erineva pikkusega lõikurid takistavad sae sujuvat jooksu ning võivad põhjustada saeketi purunemise.
  - Ärge teritage ketti, kui lõikuri pikkus on 3 mm või lühem. Kett tuleb vahetada uue vastu.
  - Laastu paksus määratakse sügavuse piiraja (ümar nina) ja lõikeserva vahelise kauguse alusel.
  - Parim lõiketulemus saadakse, kui vahemaa lõikeserva ja sügavuse piiraja vahel on järgmine.
    - Saetera 91PX : 0,65 mm
    - Saetera 80TXL : 0,65 mm
- **Joon.38**
- Teritamisnurk 30° peab olema kõikidel lõikuritel ühesugune. Erinevad lõikurirungad raskendavad sae jooksu ja muudavad selle ebaühtlaseks, kiirendavad kulumist ja viivad keti purunemiseni.
  - Kasutage sobivat ümarviili, et tagada hammaste suhtes õige teritamisnurk.
    - Saetera 91PX : 55°
    - Saetera 80TXL : 55°

### Viil ja viiljuhik

- Kasutage keti teritamiseks spetsiaalselt saekettidele mõeldud ümarviili (lisatarvik). Tavalised ümarviilid ei sobi.
  - Eri saekettide puhul kasutatavate ümarviilide diameetrid on järgmised.
    - Saetera 91PX : 4,0 mm
    - Saetera 80TXL : 4,0 mm
  - Viil peaks puutama vastu lõikurit ainult tõuke ajal. Tagasitõmbe ajaks tõstke viil lõikuri pealt üles.
  - Teritage esmalt kõige lühemat lõikurit. Seejärel määrab lühima lõikuri pikkus saeketi kõigi ülejäänud lõikurite pikkuse.
  - Viilige joonisel näidatud moel.
- **Joon.39:** 1. Viil 2. Saekett

- Viili käsitlemine on hõlpsam, kui kasutada viilihoidikut (lisatarvik). Viilihoidikul on markeeringud õige teritamisnurga 30° leidmiseks (seadke markeeringud saeketiga paralleelselt ühele joonele) ja läbistussügavuse piiri tähised (kuni 4/5 viili läbimõõdust).

- **Joon.40:** 1. Viilihoidik

- Pärast keti teritamist kontrollige ketipiiraja (lisatarvik) abil sügavuse piiraja kõrgust.

- **Joon.41**

- Eemaldage spetsiaalse lameviiliga (lisatarvik) kõik väljaulatuvad osad, ükskõik kui väikesed need ka poleks.
- Ümardage uuesti sügavuse piiraja esiosa.

## Juhtlati puhastamine

Juhtlati soonde kogunevad laastud ja saepuru. Need võivad lati soone ummistada ja takistada õli liikumist. Saeketi teritamisel või vahetamisel eemaldage alati ka laastud ja saepuru.

- **Joon.42**

## Ketiratta katte puhastamine

Ketiratta katte sisse kogunevad saepuru ja laastud. Eemaldage ketiratta kate ja saekett tööriistalt ja puhastage seejärel saepurust ja laastudest.

- **Joon.43**

## Õli väljalaskeava puhastamine

Töö käigus võib tühjendusavasse koguneda tolmu ja väikesed osakesi. Selline tolm ja väikesed osakesed võivad häirida õli voolu ja põhjustada terve saeketi ebapiisavat õlitatust. Kui juhtlati tipu õliga varustatus häirub, siis puhastage õli väljalaskeava järgmisel moel.

1. Eemaldage tööriistalt ketiratta kate ja saekett.
2. Eemaldage tolm või väikesed osakesed lapikruvi-keeraja vms abil.

- **Joon.44:** 1. Lapikruvikeeraja 2. Õli väljalaskeava

3. Pange akukassett tööriista sisse. Tõmmake lüliti päästikut, et lasta korjunud tolmul ja osakestel õli tühjendusava kaudu koos väljalastava õliga välja voolata.

4. Eemaldage akukassett tööriista küljest. Paigaldage ketiratta kate ja saekett tööriistale tagasi.

## Ketiratta vahetamine

**▲ETTEVAATUST:** Kulunud ketiratas kahjustab uut saeketti. Sellisel juhul laske ketiratas välja vahetada.

Enne uue saeketi paigaldamist kontrollige ketiratta seisukorda.

- **Joon.45:** 1. Ketiratas 2. Kuluvad piirkonnad

Ketiratta vahetamisel paigaldage alati uus lukustusrõngas.

- **Joon.46:** 1. Lukustusrõngas 2. Ketiratas

**TÄHELEPANU:** Veenduge, et ketiratas paigaldaks alati joonisel näidatud viisil.

## Masina hoiundamine

1. Puhastage tööriist enne hoiulepanekut. Eemaldage tööriistast pärast ketiratta katte eemaldamist kõik laastud ja saepuru.
2. Pärast tööriista puhastamist laske sel saeketi ja juhtlati õlitamiseks tühjalt töötada.
3. Katke juhtlatt juhtlati kattega.
4. Tühjendage õlipaak.

## Regulaarne hooldus

Selleks, et tagada sae pikk kasutusiga, hoida ära selle rikked ning tagada ohutu töötamine, tuleb regulaarselt teha järgmisi hooldustöid. Seadme garantii kehtib üksnes juhul, kui nimetatud töid on tehtud regulaarselt ja nõuetekohaselt. Nende hooldustööde tegemata jätmine suurendab õnnetuste ohtu! Ketsae kasutaja tohib teha ainult käesolevas kasutusjuhendis kirjeldatud hooldustöid. Kõik sellised tööd tuleb lasta teha volitatud teeninduskeskuses.

Kontrollitav objekt / töötamisae		Enne kasutamist	Iga päev	Iga nädal	Iga 3 kuu tagant	Iga aasta	Enne hoiule panemist
Kettsaag	Ülevaatamine.	✓	-	-	-	-	-
	Puhastamine.	-	✓	-	-	-	-
	Kontrollige volitatud teeninduskeskuses.	-	-	-	-	✓	✓
Saekett	Ülevaatamine.	✓	-	-	-	-	-
	Teritamine vastavalt vajadusele.	-	-	-	-	-	✓
Juhtlatt	Ülevaatamine.	✓	✓	-	-	-	-
	Eemaldage kettsaelt.	-	-	-	-	-	✓
Ketipidur	Kontrollige toimimist.	✓	-	-	-	-	-
	Laske volitatud teeninduskeskuses regulaarselt üle vaadata.	-	-	-	✓	-	-
Keti õlitamine	Kontrollige õli etteandemäära.	✓	-	-	-	-	-
Lüliti päästik	Ülevaatamine.	✓	-	-	-	-	-
Lukust avamise hoob	Ülevaatamine.	✓	-	-	-	-	-
Õlipaagi kork	Kontrollige pingsust.	✓	-	-	-	-	-
Ketipüüdja	Ülevaatamine.	-	-	✓	-	-	-
Kruvid ja mutrid	Ülevaatamine.	-	-	✓	-	-	-



# VEAOTSING

Enne remonditöökotta pöördumist kontrollige niidukit ise. Ärge üritage niidukit lahti võtta, kui leiate probleemi, mida kasutusjuhendis ei kirjeldata. Selle asemel pöörduge Makita volitatud teeninduskeskusesse, kus kasutatakse remon-  
timisel alati Makita tagavaraosi.

Tõrge	Põhjus	Tegevus
Kettsaag ei käivitu.	Akukassett ei ole paigaldatud.	Paigaldage laetud akukassett.
	Akuga seotud probleem (madal pinge).	Laadige akukassetti. Kui laadimine ei anna tulemust, vahetage akukassett välja.
	Toitelüliti on väljas.	Kettsaag lülitub teatud mittekasutamise perioodi möödudes välja. Lülitage toitelüliti uuesti sisse.
Saekett ei liigu.	Ketipidur on peal.	Vabastage ketipidur.
Mootor seiskub pärast lühiajalist töötamist.	Aku laetustase on madal.	Laadige akukassetti. Kui laadimine ei anna tulemust, vahetage akukassett välja.
Ketil pole õli.	Õlipaak on tühi.	Täitke õlipaak.
	Õli juhtsoon on määratud.	Puhastage soon.
	Õli on halva kvaliteediga.	Reguleerige reguleerimiskruviga etteantava õli kogust.
Kettsaag ei saavuta maksimaalset pöörlemiskiirust.	Akukassett ei ole õigesti paigaldatud.	Paigaldage akukassett juhendis kirjeldatud viisil.
	Aku võimsus langeb.	Laadige akukassetti. Kui laadimine ei anna tulemust, vahetage akukassett välja.
	Veosüsteem ei tööta korralikult.	Pöörduge remontimiseks teie piirkonna volitatud teeninduskeskusesse.
Toitetuli viigub roheliselt.	Lüliti päästikud vajutati mittekasutatavates tingimustes.	Vajutage lüliti päästikut pärast toitelüliti sisselülitamist ja ketipiduri vabastamist.
Kett ei peatu isegi pärast ketipiduri aktiveerimist: <b>Seisake tööriist viivitamatult!</b>	Piduri rihm on kulunud.	Pöörduge remontimiseks teie piirkonna volitatud teeninduskeskusesse.
Ebatavaline vibratsioon: <b>Seisake tööriist viivitamatult!</b>	Juhtlat või saekett on lõtv.	Reguleerige juhtlati ja saeketi pingsust.
	Tööriista rike.	Pöörduge remontimiseks teie piirkonna volitatud teeninduskeskusesse.
Saeketti ei saa paigaldada.	Saeketi ja ketiratta kombinatsioon ei ole õige.	Kasutage õiget saeketi ja ketiratta kombinatsiooni vastavalt tehniliste andmete peatükile.

## VALIKULISED TARVIKUD

**⚠ETTEVAATUST:** Neid tarvikuid ja liseseadiseid on soovitatav kasutada koos Makita tööriistaga, mille kasutamist selles kasutusjuhendis kirjeldatakse. Muude tarvikute ja liseseadiste kasutamiseks kaasneb vigastada saamise oht. Kasutage tarvikuid ja liseseadiseid ainult otstarbekohaselt.

Saate vajaduse korral kohalikust Makita teeninduskeskusest lisateavet nende tarvikute kohta.

- Saekett
- Juhtlat
- Juhtlati kate
- Viil
- Tööriistakott
- Makita algupärane aku ja laadija

**⚠HOIATUS:** Kui ostate standardsest juhtlatist erineva pikkusega juhtlati, ostke sinna juurde ka sobiva pikkusega juhtlati kate. See peab sobima ja katma kettsae juhtlati täielikult.

**⚠MÄRKUS:** Mõned nimekirjas loetletud tarvikud võivad kuuluda standardvarustusse ning need on lisatud tööriista pakendisse. Need võivad riigiti erineda.

## ТЕХНИЧЕСКИЕ ХАРАКТЕРИСТИКИ

Модель:		UC014G	UC015G	UC016G	UC017G
Общая длина (без пильной шины)		445 мм			
Номинальное напряжение		36–40 В пост. тока макс.			
Масса нетто	*1	4,5 кг			
	*2	6,2 – 6,9 кг			6,2 - 6,9 кг
Стандартная длина направляющей шины		300 мм	350 мм	400 мм	450 мм
Рекомендуемая длина направляющей шины		300 - 450 мм			
Применимый тип пильной цепи (см. таблицу ниже)		91PX 80TXL			
Звездочка (91PX)	Количество зубьев	6			
	Шаг	3/8"			3/8 дюйма
Звездочка (80TXL)	Количество зубьев	7			
	Шаг	0,325 дюйма			
Скорость цепи		0 - 25,5 м/с (0 - 1 530 м/мин)			
Объем маслобака		260 см <sup>3</sup>			
Степень защиты		IPX4			

• Благодаря нашей постоянно действующей программе исследований и разработок указанные здесь технические характеристики могут быть изменены без предварительного уведомления.

• Технические характеристики могут различаться в зависимости от страны.

\*1: Масса без пильной цепи, стержня направляющей, крышки пильной шины, масла и блока (блоков) аккумулятора.

\*2: Наименьшая и наибольшая совокупная масса согласно процедуре ЕРТА 01/2014. Масса может отличаться в зависимости от дополнительного оборудования; блок (блоки) аккумулятора также считается дополнительным оборудованием.

### Сочетание пильной цепи, стержня направляющей и звездочки

Тип пильной цепи		91PX			
Количество приводных звеньев		46	52	56	62
Пильная шина	Длина пильной шины	300 мм	350 мм	400 мм	450 мм
	Длина распила	268 мм	324 мм	361 мм	418 мм
	Шаг	3/8"			
	Измеритель	1,3 мм			
	Тип	Шина с концевой звездочкой			
Звездочка	Количество зубьев	6			
	Шаг	3/8"			

Тип пильной цепи		80TXL			
Количество приводных звеньев		51	59	64	70
Пильная шина	Длина пильной шины	300 мм	350 мм	400 мм	450 мм
	Длина распила	259 мм	325 мм	366 мм	416 мм
	Шаг	0,325 дюйма			
	Измеритель	1,1 мм			
	Тип	Шина с концевой звездочкой			
Звездочка	Количество зубьев	7			
	Шаг	0,325 дюйма			

**▲ ОСТОРОЖНО:** Используйте подходящее сочетание пильной шины и пильной цепи. Несоблюдение этой рекомендации может привести к травме.

## Подходящий блок аккумулятора и зарядное устройство

Блок аккумулятора	BL4040 / BL4050F* *: рекомендуемый аккумулятор
Зарядное устройство	DC40RA / DC40RB / DC40RC

- В зависимости от региона проживания некоторые блоки аккумуляторов и зарядные устройства, перечисленные выше, могут быть недоступны.

**⚠ ОСТОРОЖНО:** Используйте только перечисленные выше блоки аккумуляторов и зарядные устройства. Использование других блоков аккумуляторов и зарядных устройств может привести к травме и/или пожару.

## Рекомендованный источник электропитания с проводным подключением

Портативный блок питания	PDC01
--------------------------	-------

- В некоторых регионах определенные модели перечисленных выше источников электропитания с проводным подключением могут быть недоступны.
- Перед началом использования источника электропитания с проводным подключением изучите инструкцию и предупреждающие надписи на нем.

### Символы

Ниже приведены символы, которые могут использоваться для обозначения оборудования. Перед использованием убедитесь в том, что вы понимаете их значение.

	Прочитайте руководство по эксплуатации.
	Надевайте защитные очки.
	Используйте средства защиты слуха.
	Надевайте каску, защитные очки и используйте средства защиты слуха.
	Максимально допустимая длина среза
	Во время работы цепную пилу следует держать двумя руками.
	Помните об отдаче пильной цепи и избегайте контакта с кончиком шины.
	Направление движения цепи
	Регулировка подачи масла к пильной цепи



Только для стран ЕС  
В связи с наличием в оборудовании опасных компонентов отходы электрического и электронного оборудования, аккумуляторы и батареи могут оказывать негативное влияние на окружающую среду и здоровье человека. Не выбрасывайте электрические и электронные устройства или батареи вместе с бытовыми отходами!  
В соответствии с директивой ЕС по отходам электрического и электронного оборудования, по аккумуляторам, батареям и отходам аккумуляторов и батарей, а также в соответствии с ее адаптацией к национальному законодательству, отходы электрического оборудования, батареи и аккумуляторы следует хранить отдельно и доставлять на пункт раздельного сбора коммунальных отходов, работающий с соблюдением правил охраны окружающей среды. Это обозначено символом в виде перечеркнутого мусорного контейнера на колесах, нанесенным на оборудование.



Гарантированный уровень звуковой мощности в соответствии с Директивой ЕС по шумам вне помещений.



Уровень звуковой мощности в соответствии с Регламентом Австралии (Новый Южный Уэльс) по контролю за шумом

### Назначение

Эта пила предназначена для распиливания древесины.

### Шум

Типичный уровень взвешенного звукового давления (A), измеренный в соответствии с EN62841-4-1:

#### Модель UC014G

Уровень звукового давления ( $L_{pA}$ ): 91 дБ (A)

Уровень звуковой мощности ( $L_{WA}$ ): 102 дБ (A)

Погрешность (K): 3 дБ (A)

### Модель UC015G

Уровень звукового давления ( $L_{pA}$ ): 91 дБ (A)

Уровень звуковой мощности ( $L_{WA}$ ): 102 дБ (A)

Погрешность (K): 3 дБ (A)

### Модель UC016G

Уровень звукового давления ( $L_{pA}$ ): 91 дБ (A)

Уровень звуковой мощности ( $L_{WA}$ ): 102 дБ (A)

Погрешность (K): 3 дБ (A)

### Модель UC017G

Уровень звукового давления ( $L_{pA}$ ): 91 дБ (A)

Уровень звуковой мощности ( $L_{WA}$ ): 102 дБ (A)

Погрешность (K): 3 дБ (A)

**ПРИМЕЧАНИЕ:** Заявленное значение распространения шума измерено в соответствии со стандартной методикой испытаний и может быть использовано для сравнения инструментов.

**ПРИМЕЧАНИЕ:** Заявленное значение распространения шума можно также использовать для предварительных оценок воздействия.

**▲ОСТОРОЖНО:** Используйте средства защиты слуха.

**▲ОСТОРОЖНО:** Распространение шума во время фактического использования электроинструмента может отличаться от заявленного значения в зависимости от способа применения инструмента и в особенности от типа обрабатываемой детали.

**▲ОСТОРОЖНО:** Обязательно определите меры безопасности для защиты оператора, основанные на оценке воздействия в реальных условиях использования (с учетом всех этапов рабочего цикла, таких как выключение инструмента, работа без нагрузки и включение).

## Вибрация

Суммарное значение вибрации (сумма векторов по трем осям), определенное в соответствии с EN62841-4-1:

### Модель UC014G

Рабочий режим: распиливание древесины

Распространение вибрации ( $a_{h,w}$ ): 5,0 м/с<sup>2</sup>

Погрешность (K): 1,5 м/с<sup>2</sup>

### Модель UC015G

Рабочий режим: распиливание древесины

Распространение вибрации ( $a_{h,w}$ ): 5,0 м/с<sup>2</sup>

Погрешность (K): 1,5 м/с<sup>2</sup>

### Модель UC016G

Рабочий режим: распиливание древесины

Распространение вибрации ( $a_{h,w}$ ): 5,0 м/с<sup>2</sup>

Погрешность (K): 1,5 м/с<sup>2</sup>

### Модель UC017G

Рабочий режим: распиливание древесины

Распространение вибрации ( $a_{h,w}$ ): 5,0 м/с<sup>2</sup>

Погрешность (K): 1,5 м/с<sup>2</sup>

**ПРИМЕЧАНИЕ:** Заявленное общее значение распространения вибрации измерено в соответствии со стандартной методикой испытаний и может быть использовано для сравнения инструментов.

**ПРИМЕЧАНИЕ:** Заявленное общее значение распространения вибрации можно также использовать для предварительных оценок воздействия.

**▲ОСТОРОЖНО:** Распространение вибрации во время фактического использования электроинструмента может отличаться от заявленного значения в зависимости от способа применения инструмента и в особенности от типа обрабатываемой детали.

**▲ОСТОРОЖНО:** Обязательно определите меры безопасности для защиты оператора, основанные на оценке воздействия в реальных условиях использования (с учетом всех этапов рабочего цикла, таких как выключение инструмента, работа без нагрузки и включение).

## Декларация о соответствии ЕС

*Только для европейских стран*

Декларация о соответствии ЕС включена в руководство по эксплуатации (Приложение А).

## МЕРЫ БЕЗОПАСНОСТИ

### Общие рекомендации по технике безопасности для электроинструментов

**▲ОСТОРОЖНО:** Ознакомьтесь со всеми представленными инструкциями по технике безопасности, указаниями, иллюстрациями и техническими характеристиками, прилагаемыми к данному электроинструменту. Несоблюдение каких-либо инструкций, указанных ниже, может привести к поражению электрическим током, пожару и/или серьезной травме.

### Сохраните брошюру с инструкциями и рекомендациями для дальнейшего использования.

Термин "электроинструмент" в предупреждениях относится ко всему инструменту, работающему от сети (с проводом) или на аккумуляторах (без провода).

### Общие правила техники безопасности при использовании цепной пилы

1. Не дотрагивайтесь до пильной цепи во время работы цепной пилы. Перед началом работы убедитесь в том, что пильная цепь ни к чему не прикасается. Секундная невнимательность при работе с цепной пилой может привести к захлестыванию вашей одежды или частей тела пильной цепью.
2. Всегда беритесь правой рукой за заднюю ручку цепной пилы, а левой – за переднюю. Держать цепную пилу по-другому запрещено из-за повышения риска травмирования при работе с ней.

3. **Держите цепную пилу только за специальные изолированные поверхности, поскольку при выполнении работ существует риск контакта пильной цепи со скрытой электропроводкой.** Контакт пильной цепи с проводом под напряжением приведет к тому, что металлические детали цепной пилы также окажутся под напряжением, что приведет к поражению оператора электрическим током.
4. **Используйте защитные очки. Рекомендуется использовать дополнительные средства защиты головы, рук, ног и органов слуха.** Надлежащее защитное оборудование снижает риск получения травм от летящих частиц или при случайном прикосновении к пильной цепи.
5. **Не используйте цепную пилу, находясь на дереве, на лестнице, крыше или любой неустойчивой опоре.** Эксплуатация цепной пилы таким образом может привести к тяжелым травмам.
6. **Всегда твердо стойте на ногах; используйте цепную пилу только стоя на неподвижной, надежной и ровной поверхности.** Скользящая или неустойчивая поверхность может стать причиной потери равновесия или контроля над цепной пилой.
7. **Отрезая сук, находящийся под нагрузкой, помните о возможной отдаче.** Когда напряжение в волокнах дерева исчезнет, ветка может ударить оператора и/или выбить из рук цепную пилу.
8. **Соблюдайте особую осторожность при резании кустарника и молодых деревьев.** Пильная цепь может застрять в гибком материале, в результате чего вас может хлестнуть веткой, или вы можете потерять равновесие в результате рывка.
9. **Переносите цепную пилу только за переднюю ручку, в выключенном состоянии, не поднося к телу. На время транспортировки или хранения цепной пилы обязательно надевайте крышку пильной шины.** Правильное обращение с цепной пилой снижает риск случайного прикосновения к движущейся пильной цепи.
10. **Следуйте инструкциям по нанесению смазки, регулировке натяжения цепи и замене шины и цепи.** Из-за неправильного натяжения или смазки цепи увеличивается риск поломки или отдачи.
11. **Разрешается использовать только для резки дерева. Используйте цепную пилу только по назначению. Например: не используйте цепную пилу для резки металла, пластмассы, кирпича или строительных материалов, изготовленных не из дерева.** Использование цепной пилы не по назначению может привести к опасным ситуациям.
12. **Не пытайтесь свалить дерево, пока не проанализируете все риски и не поймете, как их избежать.** Во время валки дерева оператору или посторонним лицам могут быть нанесены тяжелые травмы.
13. **Причины отдачи и меры их предотвращения оператором:**  
Отдача возможна в случае, если передняя часть или кончик пильной шины коснется какого-либо предмета или если дерево сдавит и зажмет пильную цепь в процессе резания. В некоторых случаях касание кончиком пилы может внезапно отбросить пильную шину вверх и назад в сторону оператора.  
Защемление пильной цепи у верхней части пильной шины может отбросить пильную шину назад к оператору. Любая из этих реакций может стать причиной потери контроля над пилой и привести к тяжелым травмам. Не полагайтесь только на предохранительные устройства пилы. Как оператор цепной пилы, вы должны принять меры для обеспечения безопасной работы.  
Отдача – это результат неправильного использования цепной пилы и/или неправильных процедур или условий эксплуатации. Ее можно избежать, соблюдая указанные далее меры предосторожности.
  - **Крепко удерживайте инструмент, обхватив рукоятки пилы двумя руками; положение тела и рук следует выбрать таким образом, чтобы быть готовым к отдаче.** Если приняты соответствующие меры предосторожности, оператор способен справиться с силой отдачи. Не вытаскивайте цепную пилу из рук.
14. **При удалении застрявшего материала, хранении или обслуживании цепной пилы соблюдайте все инструкции. Убедитесь в том, что переключатель выключен и аккумулятор извлечен.** Неожиданное срабатывание цепной пилы во время удаления застрявших предметов или обслуживания может привести к тяжелым травмам.
  - **Не старайтесь дотянуться до объектов за пределами досягаемости и не пилите на высоте выше уровня плеч.** Это может предотвратить непреднамеренный контакт кончика пилы и лучше управлять цепной пилой в непредвиденных ситуациях.
  - **Используйте сменные стержни направляющей и пильные цепи только рекомендованного производителя типа.** Использование других сменных стержней направляющих и пильных цепей может привести к разрыву цепи и/или отдаче.
  - **Следуйте инструкциям производителя по заточке и обслуживанию цепной пилы.** Уменьшение высоты глубиномера может привести к увеличению силы отдачи.

► Рис.1

- **Не старайтесь дотянуться до объектов за пределами досягаемости и не пилите на высоте выше уровня плеч.** Это может предотвратить непреднамеренный контакт кончика пилы и лучше управлять цепной пилой в непредвиденных ситуациях.
  - **Используйте сменные стержни направляющей и пильные цепи только рекомендованного производителя типа.** Использование других сменных стержней направляющих и пильных цепей может привести к разрыву цепи и/или отдаче.
  - **Следуйте инструкциям производителя по заточке и обслуживанию цепной пилы.** Уменьшение высоты глубиномера может привести к увеличению силы отдачи.
14. **При удалении застрявшего материала, хранении или обслуживании цепной пилы соблюдайте все инструкции. Убедитесь в том, что переключатель выключен и аккумулятор извлечен.** Неожиданное срабатывание цепной пилы во время удаления застрявших предметов или обслуживания может привести к тяжелым травмам.

## Дополнительные инструкции по технике безопасности

### Индивидуальные средства защиты

1. Одежда должна быть достаточно облегающей, но не должна сковывать движений.
2. Во время выполнения работ используйте следующие средства индивидуальной защиты:
  - Сертифицированную защитную каску, в случае наличия опасности от падающих веток и т. п.;

- Защитную маску или защитные очки;
- Соответствующие средства защиты слуха (наушники или беруши). Октавный анализ модели по запросу.
- Прочные кожаные защитные перчатки;
- Длинные брюки, изготовленные из прочной ткани;
- Защитные брюки из ткани, устойчивой к порезам;
- Ботинки или сапоги для безопасной работы с нескользящей подошвой, стальным носком и тканевой подкладкой, устойчивой к порезам;
- Респиратор при выполнении работ, приводящих к образованию пыли (например, распиливание сухой древесины).

## Эксплуатация

1. **Перед началом работы убедитесь, что цепная пила находится в нормальном рабочем состоянии и соответствует нормативным требованиям техники безопасности. В частности, убедитесь, что:**
  - тормоз цепи работает нормально;
  - тормоз для нерабочего состояния работает нормально;
  - шина и крышка звездочки установлены правильно;
  - цепь наточена и натянута в соответствии с требованиями.
2. **Не включайте цепную пилу, если на ней установлена крышка цепи.** В противном случае крышка цепи может оторваться и быть отброшена вперед, причинив травмы или повреждения окружающих предметов.
3. **При использовании инструмента в грязи, на влажном склоне или на скользкой поверхности будьте осторожны, чтобы не поскользнуться.**
4. **Не допускайте погружения инструмента в лужи.**
5. **Не оставляйте инструмент без присмотра под открытым небом в дождь.**

## Электробезопасность

1. **Избегайте опасных сред. Не используйте инструмент в местах с повышенной влажностью и под дождем.** Попавшая в инструмент вода повышает опасность поражения электрическим током.
2. **Не бросайте аккумуляторные блоки в огонь.** Они могут взорваться. Уточните местные правила утилизации аккумуляторов.
3. **Не вскрывайте и не разбивайте аккумуляторы.** Содержащийся в них электролит очень едкий, вы можете повредить глаза или кожу. При проглатывании это вещество может вызвать отравление.
4. **Не заряжайте аккумулятор под дождем или в местах с повышенной влажностью.**
5. **Не заряжайте аккумулятор на улице.**
6. **Не касайтесь зарядного устройства, а также штекера и контактов зарядного устройства влажными руками.**

7. **Запрещается заменять аккумулятор под дождем.**
8. **Запрещается выполнять замену аккумулятора мокрыми руками.**
9. **Запрещается оставлять аккумулятор под дождем, а также заряжать, использовать или хранить аккумулятор в местах с повышенной влажностью.**
10. **Избегайте смачивания клемм аккумулятора жидкостью, например водой, и не допускайте погружения аккумулятора в жидкость.** Намокание клеммы или попадание жидкости внутрь аккумулятора могут привести к короткому замыканию аккумулятора, его перегреву, возгоранию или взрыву.
11. **После извлечения аккумулятора из газоносилки или зарядного устройства обязательно присоедините к аккумулятору крышку отсека аккумулятора и оставьте его в сухом месте.**
12. **В случае попадания воды на блок аккумулятора вылейте воду из блока и протрите его сухой тканью.** Прежде чем использовать блок аккумулятора, дайте ему полностью высохнуть в сухом месте.

## Техническое обслуживание и хранение

1. **Не храните инструмент в помещениях с высокой влажностью или температурой, на солнце или под дождем.**

## СОХРАНИТЕ ДАННЫЕ ИНСТРУКЦИИ.

**⚠ОСТОРОЖНО: НЕ ДОПУСКАЙТЕ,** чтобы удобство или опыт эксплуатации данного устройства (полученный от многократного использования) доминировали над строгим соблюдением правил техники безопасности при обращении с этим устройством. **НЕПРАВИЛЬНОЕ ИСПОЛЬЗОВАНИЕ** инструмента или несоблюдение правил техники безопасности, указанных в данном руководстве, может привести к тяжелой травме.

## Важные правила техники безопасности для работы с аккумуляторным блоком

1. **Перед использованием аккумуляторного блока прочитайте все инструкции и предупреждающие надписи на (1) зарядном устройстве, (2) аккумуляторном блоке и (3) инструменте, работающем от аккумуляторного блока.**
2. **Не разбирайте блок аккумулятора и не меняйте его конструкцию.** Это может привести к пожару, перегреву или взрыву.
3. **Если время работы аккумуляторного блока значительно сократилось, немедленно прекратите работу.** В противном случае, может возникнуть перегрев блока, что приведет к ожогам и даже к взрыву.

4. В случае попадания электролита в глаза промойте их обильным количеством чистой воды и немедленно обратитесь к врачу. Это может привести к потере зрения.
5. Не замыкайте контакты аккумуляторного блока между собой:
  - (1) Не прикасайтесь к контактам какими-либо токопроводящими предметами.
  - (2) Не храните аккумуляторный блок в контейнере вместе с другими металлическими предметами, такими как гвозди, монеты и т. п.
  - (3) Не допускайте попадания на аккумуляторный блок воды или дождя.

Замыкание контактов аккумуляторного блока между собой может привести к возникновению большого тока, перегреву, возможным ожогам и даже поломке блока.
6. Не храните и не используйте инструмент и аккумуляторный блок в местах, где температура может достигать или превышать 50 °C (122 °F).
7. Не бросайте аккумуляторный блок в огонь, даже если он сильно поврежден или полностью вышел из строя. Аккумуляторный блок может взорваться под действием огня.
8. Запрещено вбивать гвозди в блок аккумулятора, резать, ломать, бросать, ронять блок аккумулятора или ударять его твердым предметом. Это может привести к пожару, перегреву или взрыву.
9. Не используйте поврежденный аккумуляторный блок.
10. Входящие в комплект литий-ионные аккумуляторы должны эксплуатироваться в соответствии с требованиями законодательства об опасных товарах.
 

При коммерческой транспортировке, например, третьей стороной или экспедитором, необходимо нанести на упаковку специальные предупреждения и маркировку.

В процессе подготовки устройства к отправке обязательно проконсультируйтесь со специалистом по опасным материалам. Также соблюдайте местные требования и нормы. Они могут быть строже.

Закройте или закрепите разомкнутые контакты и упакуйте аккумулятор так, чтобы он не перемещался по упаковке.
11. Для утилизации блока аккумулятора извлеките его из инструмента и утилизируйте безопасным способом. Выполняйте требования местного законодательства по утилизации аккумуляторного блока.
12. Используйте аккумуляторы только с продукцией, указанной Makita. Установка аккумуляторов на продукцию, не соответствующую требованиям, может привести к пожару, перегреву, взрыву или утечке электролита.
13. Если инструментом не будут пользоваться в течение длительного периода времени, извлеките аккумулятор из инструмента.
14. Во время и после использования блок аккумулятора может нагреваться, что может стать причиной ожогов или низкотемпературных ожогов. Будьте осторожны при обращении с горячим блоком аккумулятора.
15. Не прикасайтесь к контактам инструмента сразу после использования, поскольку они могут быть достаточно горячими, чтобы вызвать ожоги.
16. Не допускайте налипания на контакты, отверстия и пазы блока аккумулятора опилок, пыли или земли. Это может стать причиной перегрева, возгорания, взрыва или неисправности инструмента или блока аккумулятора, что может привести к ожогам или травмам.
17. Если инструмент не рассчитан на использование вблизи высоковольтных линий электропередач, не используйте блок аккумулятора вблизи высоковольтных линий электропередач. Это может привести к неисправности, поломке инструмента или блока аккумулятора.
18. Храните аккумулятор в недоступном для детей месте.

## СОХРАНИТЕ ДАННЫЕ ИНСТРУКЦИИ.

**▲ВНИМАНИЕ:** Используйте только фирменные аккумуляторные батареи Makita. Использование аккумуляторных батарей, не произведенных Makita, или батарей, которые были подвергнуты модификациям, может привести к взрыву аккумулятора, пожару, травмам и повреждению имущества. Это также автоматически аннулирует гарантию Makita на инструмент и зарядное устройство Makita.

## Советы по обеспечению максимального срока службы аккумулятора

1. Заряжайте блок аккумуляторов перед его полной разрядкой. Обязательно прекратите работу с инструментом и зарядите блок аккумуляторов, если вы заметили снижение мощности инструмента.
2. Никогда не подзаряжайте полностью заряженный блок аккумуляторов. Перезарядка сокращает срок службы аккумулятора.
3. Заряжайте блок аккумуляторов при комнатной температуре в 10 - 40 °C (50 - 104 °F). Перед зарядкой горячего блока аккумулятора дайте ему остыть.
4. Если блок аккумулятора не используется, извлеките его из инструмента или зарядного устройства.
5. Зарядите ионно-литиевый аккумуляторный блок, если вы не будете пользоваться инструментом длительное время (более шести месяцев).

# ОПИСАНИЕ ДЕТАЛЕЙ

► Рис.2

1	Блок аккумулятора	2	Передняя защита руки	3	Рычаг
4	Пильная шина	5	Пильная цепь	6	Регулировочный диск
7	Основной индикатор питания	8	Основной переключатель питания	9	Рычаг разблокировки
10	Задняя ручка	11	Триггерный переключатель	12	Передняя ручка
13	Крышка маслобака	14	Крышка пильной шины	15	Винт регулировки масляного насоса
16	Уловитель цепи	-	-	-	-

## ОПИСАНИЕ РАБОТЫ

**▲ ВНИМАНИЕ:** Перед регулировкой или проверкой функций инструмента обязательно убедитесь, что он выключен и его аккумуляторный блок снят.

### Установка или снятие блока аккумулятора

**▲ ВНИМАНИЕ:** Обязательно выключайте инструмент перед установкой и извлечением аккумуляторного блока.

**▲ ВНИМАНИЕ:** При установке и извлечении аккумуляторного блока крепко удерживайте инструмент и аккумуляторный блок. Если не соблюдать это требование, они могут выскользнуть из рук, что приведет к повреждению инструмента, аккумуляторного блока и травмированию оператора.

► Рис.3: 1. Красный индикатор 2. Кнопка 3. Блок аккумулятора

Для снятия аккумуляторного блока нажмите кнопку на лицевой стороне и извлеките блок.

Для установки блока аккумулятора совместите выступ блока аккумулятора с пазом в корпусе и задвиньте его на место. Устанавливайте блок до упора, чтобы он зафиксировался с небольшим щелчком. Если вы видите красный индикатор, как показано на рисунке, он не зафиксирован полностью.

**▲ ВНИМАНИЕ:** Обязательно устанавливайте блок аккумулятора до конца, чтобы красный индикатор не был виден. В противном случае блок аккумулятора может выпасть из инструмента и нанести травму вам или другим людям.

**▲ ВНИМАНИЕ:** Не прилагайте чрезмерных усилий при установке аккумуляторного блока. Если блок не двигается свободно, значит он вставлен неправильно.

## Индикация оставшегося заряда аккумулятора

Нажмите кнопку проверки на аккумуляторном блоке для проверки заряда. Индикаторы загорятся на несколько секунд.

► Рис.4: 1. Индикаторы 2. Кнопка проверки

Индикаторы			Уровень заряда
Горит	Выкл.	Мигает	
■ ■ ■ ■			от 75 до 100%
■ ■ ■ □			от 50 до 75%
■ ■ □ □			от 25 до 50%
■ □ □ □			от 0 до 25%
▬ □ □ □			Зарядите аккумуляторную батарею.
■ ■ □ □	↑ ↓	□ □ ■ ■	Возможно, аккумуляторная батарея неисправна.

**ПРИМЕЧАНИЕ:** В зависимости от условий эксплуатации и температуры окружающего воздуха индикация может незначительно отличаться от фактического значения.

**ПРИМЕЧАНИЕ:** Первая (дальняя левая) индикаторная лампа будет мигать во время работы защитной системы аккумулятора.

## Система защиты инструмента/аккумулятора

На инструменте предусмотрена система защиты инструмента/аккумулятора. Она автоматически отключает питание двигателя для продления срока службы инструмента и аккумулятора. Инструмент автоматически остановится во время работы в следующих случаях:



## Защита от перегрузки

Если из-за способа эксплуатации аккумулятор потребляет аномально высокий ток, он автоматически выключится, а основной индикатор питания начнет мигать зеленым. В этом случае выключите инструмент и прекратите работу, повлекшую перегрузку инструмента. Затем включите инструмент для перезапуска.

## Защита от перегрева

При перегреве инструмента или аккумулятора инструмент автоматически останавливается, а основной индикатор питания начинает гореть красным. В этом случае дайте инструменту и аккумулятору остыть перед повторным включением.

**ПРИМЕЧАНИЕ:** Защита от перегрева с высокой вероятностью сработает в условиях высокой температуры, а инструмент остановится автоматически.

## Защита от переразрядки

Если емкости аккумулятора недостаточно, инструмент остановится автоматически, а основной индикатор питания начнет мигать красным. В этом случае извлеките аккумулятор из инструмента и зарядите его.

## Защита от других неполадок

Система защиты также рассчитана на другие неполадки, способные вывести инструмент из строя, и обеспечивает автоматический останов инструмента. В случае временной остановки или прекращения работы инструмента выполните все перечисленные ниже действия для устранения причин остановки.

1. Выключите и снова включите инструмент для его перезапуска.
2. Зарядите аккумулятор(-ы) или замените его/их на заряженный(-е).
3. Дайте устройству и аккумулятору(-ам) возможность остыть.

Если после восстановления системы защиты ситуация не изменится, обратитесь в сервисный центр Makita.

**ПРИМЕЧАНИЕ:** Если инструмент останавливается по причине, не описанной выше, см. раздел, касающийся поиска и устранения неисправностей.

## Основной переключатель питания

**▲ОСТОРОЖНО:** Держите основной переключатель питания выключенным, когда он не используется.

Для включения инструмента нажмите главный переключатель питания. Основной индикатор питания загорится зеленым цветом. Для выключения нажмите главный переключатель питания еще раз.

- **Рис.5:** 1. Основной индикатор питания  
2. Главный переключатель питания

**ПРИМЕЧАНИЕ:** Если триггерный переключатель нажимается в условиях, когда эксплуатация невозможна, основной индикатор питания начинает мигать зеленым. Индикатор начинает мигать в указанных ниже случаях.

- Если вы включили главный переключатель питания, удерживая нажатым рычаг блокировки в выключенном положении или триггерный переключатель.
- Если вы потянули за триггерный переключатель при активированном тормозе цепи.
- Если вы отпустили тормоз цепи, удерживая рычаг блокировки в выключенном положении и триггерный переключатель нажатыми.

**ПРИМЕЧАНИЕ:** Этот инструмент оснащен функцией автоматического отключения. Для предотвращения случайного запуска главный переключатель питания автоматически отключается, если триггерный переключатель не был нажат в течение определенного времени после включения главного переключателя питания.

## Действие выключателя

**▲ОСТОРОЖНО:** В целях безопасности инструмент оснащен рычагом разблокировки, который предотвращает случайное включение инструмента. **ЗАПРЕЩАЕТСЯ** использовать инструмент после нажатия триггерного переключателя без включения рычага разблокировки. Верните инструмент в авторизованный сервисный центр для надлежащего ремонта ДО продолжения его эксплуатации.

**▲ОСТОРОЖНО:** ЗАПРЕЩЕНО фиксировать рычаг разблокировки при помощи липкой ленты и вносить изменения в его конструкцию.

**▲ВНИМАНИЕ:** Перед установкой аккумуляторного блока в инструмент обязательно убедитесь, что его триггерный переключатель нормально работает и возвращается в положение "OFF" (ВЫКЛ) при отпускании.

**ПРИМЕЧАНИЕ:** Не давите сильно на триггерный переключатель, не нажав на рычаг разблокировки. Это может привести к поломке переключателя.

Для предотвращения случайного нажатия триггерного переключателя инструмент оборудован рычагом блокировки в выключенном положении. Для запуска инструмента нажмите рычаг блокировки в выключенном положении, затем потяните триггерный переключатель. Для повышения рабочей частоты нажмите триггерный переключатель сильнее. Для остановки отпустите триггерный переключатель.

- **Рис.6:** 1. Триггерный переключатель 2. Рычаг разблокировки

## Проверка тормоза цепи

**ВНИМАНИЕ:** При включении держите цепную пилу двумя руками. Правой рукой возьмитесь за заднюю ручку, а левой – за переднюю. Шина и цепь не должны находиться в контакте с каким-либо предметом.

**ВНИМАНИЕ:** Если при выполнении этой проверки пильная цепь не остановилась сразу же, эксплуатация пилы запрещена. Обратитесь в авторизованный сервисный центр.

1. Нажмите на рычаг разблокировки, затем потяните триггерный переключатель. Пильная цепь запустится незамедлительно.
  2. Тыльной стороной руки переместите защиту руки вперед. Цепная пила должна сразу же остановиться.
- **Рис.7:** 1. Передняя защита руки 2. Положение разблокировки 3. Положение блокировки

## Проверка тормоза для остановки цепи, когда пила выключена

**ВНИМАНИЕ:** Если во время проведения этой проверки пильная цепь не останавливается в течение одной секунды, прекратите эксплуатацию данной цепной пилы и обратитесь в авторизованный сервисный центр.

Включите цепную пилу, затем полностью отпустите триггерный переключатель. Пильная цепь должна остановиться в течение приблизительно одной секунды.

## Регулировка смазки цепи

Скорость подачи масла насосом можно корректировать с помощью регулировочного винта. Количество подаваемого масла можно регулировать с помощью универсального гаечного ключа.

- **Рис.8:** 1. Регулировочный винт

## СБОРКА

**ВНИМАНИЕ:** Перед проведением каких-либо работ с инструментом обязательно убедитесь, что инструмент отключен, а блок аккумулятора снят.

**ВНИМАНИЕ:** Не прикасайтесь к пильной цепи голыми руками. При работе с пильной цепью обязательно надевайте защитные перчатки.

## Установка или снятие пильной цепи

**ВНИМАНИЕ:** После окончания эксплуатации пильная цепь и пильная шина остаются горячими. Дождитесь, пока они остынут, прежде чем выполнять какие-либо работы с инструментом.

**ВНИМАНИЕ:** Процедуру установки и снятия пильной цепи необходимо осуществлять в чистом месте, где нет опилок или других инородных предметов.

## Установка пильной цепи

Чтобы установить пильную цепь, выполните следующие действия:

1. Отпустите тормоз цепи, потянув за переднюю защиту руки.
  2. Потяните рычаг вверх и одновременно с этим надавите на его край.
- **Рис.9:** 1. Рычаг
3. Поворачивайте рычаг против часовой стрелки до тех пор, пока не будет возможно снять звездочку.
- **Рис.10:** 1. Рычаг 2. Крышка звездочки

4. Снимите крышку звездочки.
  5. Проверьте направление движения пильной цепи. Направление пильной цепи должно совпадать с направлением, обозначенным отметкой на корпусе цепной пилы.
- **Рис.11:** 1. Метка на корпусе цепной пилы

6. Поместите один конец пильной цепи на верхнюю часть стержня направляющей.
  7. Расположите другой конец пильной цепи вокруг звездочки, а затем прикрепите пильную шину к корпусу цепной пилы.
- **Рис.12:** 1. Звездочка

8. Поверните регулировочный диск в направлении «-» для перемещения регулирующего штифта в направлении, показанном стрелкой.
- **Рис.13:** 1. Регулировочный диск  
2. Регулировочный штифт

9. Установите крышку звездочки на цепную пилу так, чтобы регулировочный штифт располагался в небольшом отверстии пильной шины.
- **Рис.14:** 1. Крышка звездочки 2. Пильная шина  
3. Отверстие

10. Поверните рычаг до упора по часовой стрелке, а затем немного назад, чтобы сохранить уровень ослабления для регулировки натяжения цепи.

11. Отрегулируйте натяжение цепи. См. описание процедуры в разделе о регулировке натяжения пильной цепи.

12. Поворачивайте рычаг по часовой стрелке, пока крышка звездочки не будет надежно закреплена, а затем верните его в первоначальное положение.
- **Рис.15:** 1. Рычаг 2. Крышка звездочки

## Снятие пильной цепи

Чтобы снять пильную цепь, выполните следующие действия:

1. Отпустите тормоз цепи, потянув за переднюю защиту руки.

2. Поверните регулировочный диск в направлении «-» для ослабления пильной цепи.

- **Рис.16:** 1. Регулировочный диск

3. Потяните рычаг вверх и одновременно с этим надавите на его край.

- **Рис.17:** 1. Рычаг

4. Поворачивайте рычаг против часовой стрелки до тех пор, пока не будет возможно снять звездочку.

- **Рис.18:** 1. Рычаг 2. Крышка звездочки

5. Снимите крышку звездочки, а затем отсоедините пильную цепь и пильную шину от корпуса цепной пилы.

## Регулирование натяжения пильной цепи

**ВНИМАНИЕ:** Процедуру установки и снятия пильной цепи необходимо осуществлять в чистом месте, где нет опилок или других инородных предметов.

**ВНИМАНИЕ:** Не перетягивайте пильную цепь. Слишком сильное натяжение пильной цепи может привести к ее разрыву, износу направляющей шины и поломке ручки регулировки.

**ВНИМАНИЕ:** Слишком слабо натянутая цепь может соскочить с шины, что создаст риск получения травмы.

После многочасового использования пильная цепь может ослабнуть. Перед использованием периодически проверяйте натяжение пильной цепи.

1. Потяните рычаг вверх и одновременно с этим надавите на его край.

► **Рис.19:** 1. Рычаг

2. Немного поверните рычаг против часовой стрелки, чтобы слегка ослабить крышку звездочки.

► **Рис.20:** 1. Рычаг 2. Крышка звездочки

3. Слегка поднимите наконечник пильной шины и отрегулируйте натяжение цепи. Чтобы ослабить регулировочное кольцо, поверните его в сторону «-», чтобы затянуть — в сторону «+». Натягивайте пильную цепь до тех пор, пока нижняя сторона пильной цепи не войдет в паз направляющей шины, как показано на рисунке.

► **Рис.21:** 1. Регулировочный диск 2. Пильная шина 3. Пильная цепь

4. Затяните крышку звездочки, придерживая при этом пильную шину. Убедитесь, что пильная цепь не провисает с нижней стороны.

5. Верните рычаг в первоначальное положение.

Убедитесь, что пильная цепь плотно посажена с нижней стороны шины.

## ЭКСПЛУАТАЦИЯ

### Смазка

**ВНИМАНИЕ:** Не используйте цепную пилу при пустом баке. Масло необходимо своевременно доливать до момента опорожнения бака.

**ВНИМАНИЕ:** Не допускайте попадания масла на кожу и в глаза. Попадание в глаза вызывает раздражение. В случае попадания в глаза немедленно промойте пораженный глаз чистой водой и сразу обратитесь к врачу.

**ВНИМАНИЕ:** Ни в коем случае не пользуйтесь отработанным маслом. Отработанное масло содержит канцерогенные вещества. Загрязняющие примеси в отработанном масле вызывают ускоренный износ масляного насоса, шины и цепи. Отработанное масло наносит вред окружающей среде.

**ПРИМЕЧАНИЕ:** При первом использовании цепной пилы может потребоваться до двух минут, пока масло для пильной цепи не начнет смазывать механизм пилы. Запустите пилу без нагрузки, чтобы смазать механизм.

**ПРИМЕЧАНИЕ:** При первой заливке масла или при его добавлении после полного опорожнения емкости заливайте масло до нижнего края заливной горловины. В противном случае, подача масла может быть нарушена.

**ПРИМЕЧАНИЕ:** Смазывайте пильные цепи только специальным маслом для цепных пил Makita или аналогичным ему.

**ПРИМЕЧАНИЕ:** Запрещается использовать загрязненное пылью и прочими частицами масло или летучую смазку.

**ПРИМЕЧАНИЕ:** При обрезке деревьев используйте масло растительного происхождения. При использовании минерального масла существует вероятность повреждения деревьев.

**ПРИМЕЧАНИЕ:** Прежде чем приступать к резке, убедитесь, что крышка масляного бака завинчена.

Смазка пильной цепи осуществляется автоматически во время работы. Периодически проверяйте количество масла в баке через контрольное окно уровня масла.

► **Рис.22:** 1. Крышка маслобака 2. Контрольное окно уровня масла

Чтобы залить масло, выполните указанные далее действия.

1. Тщательно очистите участок вокруг крышки масляного бака, чтобы предотвратить попадание грязи в масляный бак.

2. Положите цепную пилу на бак.

3. Нажмите кнопку на крышке масляного бака, чтобы кнопка на другой стороне поднялась, затем снимите крышку масляного бака, повернув ее.

► **Рис.23:** 1. Крышка маслобака 2. Затянуть 3. Ослабить

4. Заполните масляный бак маслом. Необходимое количество масла — 260 мл.

5. Плотно закрутите крышку масляного бака.

6. Тщательно вытрите пролитое масло для цепи.

**ПРИМЕЧАНИЕ:** Если крышку масляного бака снять трудно, вставьте накидной ключ в паз крышки масляного бака и снимите крышку масляного бака, повернув ее против часовой стрелки.

► **Рис.24:** 1. Гнездо 2. Накидной ключ

После долива удерживайте пилу на расстоянии от дерева. Включите пилу и подождите, пока пильная цепь не будет смазана должным образом.

► **Рис.25**

## Эксплуатация цепной пилы

**▲ВНИМАНИЕ:** Если вы пользуетесь пилой впервые, рекомендуется пилить бревна на козлах или опорной раме.

**▲ВНИМАНИЕ:** При распиловке подготовленных бревен используйте надежную опору (козлы или опорную раму). Не придерживайте разрезаемую заготовку ногой и не позволяйте делать это другим.

**▲ВНИМАНИЕ:** Крутые детали фиксируйте в направлении, противоположном направлению вращения.

**▲ВНИМАНИЕ:** Не приближайте пильную цепь к каким-либо частям тела, если электродвигатель работает.

**▲ВНИМАНИЕ:** При работающем электродвигателе крепко держите цепную пилу двумя руками.

**▲ВНИМАНИЕ:** При эксплуатации устройства не тянитесь. Всегда сохраняйте устойчивое положение и равновесие.

**ПРИМЕЧАНИЕ:** Не кидайте и не роняйте инструмент.

**ПРИМЕЧАНИЕ:** Не закрывайте вентиляционные отверстия инструмента.

Перед включением цепной пилы поднесите корпус инструмента к ветке, которую вы собираетесь распилить, так, чтобы пила и ветка соприкасались. В противном случае направляющая шина начнет дрожать и ранит оператора. При распиливании опускайте дерево вниз, используя вес цепной пилы.

► Рис.26

Если ветку нельзя распилить за один заход: Слегка надавливая на ручку и продолжая пилить, немного подайте пилу назад, затем установите зубчатый бампер немного ниже и завершите распил, подняв ручку.

► Рис.27

## Раскряжевка

1. Используйте дерево, которое собираетесь распилить, в качестве опоры для корпуса цепной пилы.

► Рис.28

2. При работающей пильной цепи сделайте запил, используя заднюю ручку для подъема пилы и переднюю рукоятку для ее направления. Используйте зубчатый бампер как точку поворота.

3. Продолжите пиление, прилагая небольшое усилие к передней ручке и немного ослабляя заднюю часть пилы. Переместите зубчатый бампер в бревно дальше вниз и снова поднимите переднюю ручку.

**ПРИМЕЧАНИЕ:** При выполнении нескольких распилов выключайте пилу между выполнением распилов.

**▲ВНИМАНИЕ:** Если для распиливания используется верхний край шины, цепная пила может выгнуться в вашем направлении, если цепь пилы заклинит. Во избежание этого выполняйте пиление нижним краем шины, чтобы пила изгибалась в сторону от вашего тела.

► Рис.29

При распиливании древесины под давлением начинать распиливание необходимо со стороны воздействия давления (А). Окончательный распил выполняется со стороны возникновения растяжения (В). Такой способ пиления позволит избежать зажима шины.

► Рис.30

## Обрезка сучьев

**▲ВНИМАНИЕ:** Обрезка сучьев должна выполняться только опытными рабочими. При обрезке сучьев существует риск возникновения отдачи.

При обрезке сучьев при возможности используйте ствол в качестве опоры. Не пилите концом шины, так как это приведет к возникновению риска отдачи. Особое внимание обращайте на ветки, находящиеся в напряженном состоянии. Не пилите снизу ветки, не имеющие опоры.

Во время раскряжевки не стойте на поваленном бревне.

## Врезка и пиление параллельно волокнам

**▲ВНИМАНИЕ:** Врезка и пиление параллельно волокнам могут выполняться только лицами, прошедшими специальное обучение. Возможность возникновения отдачи может привести к травме.

Пиление параллельно волокнам должно выполняться под минимальным углом. Соблюдайте максимальную осторожность при пилении из-за невозможности использования зубчатого бампера.

► Рис.31

## Валка леса

**▲ВНИМАНИЕ:** Валка леса должна выполняться только опытными рабочими. Эта работа очень опасна.

Если вы хотите спилить дерево, соблюдайте местные нормативы.

► Рис.32: 1. Площадь вырубки

— Перед началом работ по валке леса убедитесь, что:

- В непосредственной близости от места работ находится только персонал, связанный с работами по валке;
- Все лица, связанные с выполнением валки, имеют свободный путь отхода в пределах угла в 45° в каждую сторону от оси падения дерева. Рассмотрите вероятность возникновения дополнительного риска от падения дерева на электрические провода;
- Комель дерева в месте его пиления не имеет инородных предметов, корней и веток;

- В том направлении, куда будет падать дерево, люди или предметы находятся на расстоянии, в 2 1/2 раза превышающем высоту спиливаемого дерева.
- При спиливании каждого дерева следует также учитывать следующие факторы:
- направление наклона;
  - наличие оторванных или сухих ветвей;
  - высота дерева;
  - естественный свес;
  - является ли дерево гнилым или нет.
- Учитывайте скорость и направление ветра. Не спиливайте деревья при сильных порывах ветра.
- Обрезка корневых наплывов: Начинайте с самых больших наплывов. Сначала сделайте вертикальный запил и затем горизонтальный.
- Стойте сбоку от падающего дерева. Обеспечьте наличие свободного участка сзади падающего дерева в пределах угла в 45° в каждую сторону от оси падения дерева (см. рисунок "Площадь вырубki"). Обращайте внимание на падающие ветви.
- До начала работ необходимо предусмотреть и расчистить (при необходимости) маршрут аварийного покидания территории. Он должен проходить назад и по диагонали от предполагаемой линии валки, как показано на рисунке.
- **Рис.33:** 1. Направление валки деревьев  
2. Опасная зона 3. Маршрут эвакуации

При валке леса необходимо соблюдать следующие инструкции:

1. Делайте запил как можно ближе к поверхности земли. Сначала сделайте горизонтальный запил на глубину 1/5-1/3 диаметра бревна. Не делайте его слишком широким. Затем сделайте диагональный запил.

► **Рис.34**

**ПРИМЕЧАНИЕ:** Запил определяет направление падения дерева и помогает этому. Он делается с той стороны, куда будет падать дерево.

2. Сделайте задний рез немного выше основания запила. Задний рез должен быть точно горизонтальным. Оставьте около 1/10 диаметра дерева между задним резом и запилом. Волокна древесины в нераспиленной части дерева будут действовать как шарнир. Своевременно вставьте клинья в задний рез.

► **Рис.35**

**▲ОСТОРОЖНО:** Ни при каких обстоятельствах не пропиливайте волокна до конца. Несоблюдение этой рекомендации приведет к тому, что дерево упадет, а направление его падения будет невозможно предугадать.

**ПРИМЕЧАНИЕ:** Для сохранения зазора заднего реза следует использовать только пластиковые или алюминиевые клинья. Использование железных клиньев запрещено.

## Переноска инструмента

Перед переноской инструмента необходимо включить тормоз цепи и снять блок аккумулятора с инструмента. Затем наденьте крышку пильной шины. Также закройте блок аккумулятора крышкой аккумуляторного отсека.

► **Рис.36:** 1. Крышка пильной шины 2. Крышка аккумуляторной батареи

## ОБСЛУЖИВАНИЕ

**▲ВНИМАНИЕ:** Перед проведением проверки или работ по техобслуживанию всегда проверяйте, что инструмент выключен, а блок аккумуляторов снят.

**▲ВНИМАНИЕ:** При выполнении осмотра или обслуживания всегда надевайте перчатки.

**ПРИМЕЧАНИЕ:** Запрещается использовать бензин, растворители, спирт и другие подобные жидкости. Это может привести к обесцвечиванию, деформации и трещинам.

Для обеспечения БЕЗОПАСНОСТИ и НАДЕЖНОСТИ оборудования ремонт, любое другое техобслуживание или регулировку необходимо производить в уполномоченных сервис-центрах Makita или сервис-центрах предприятия с использованием только сменных частей производства Makita.

## Заточка пильной цепи

Выполните заточку пильной цепи, если:

- При пилении влажной древесины образуются рыхлые опилки;
- Цепь с трудом входит в древесину даже при приложении значительного усилия на пилу;
- Края распилы имеют явные повреждения;
- Пилу при пилении тянет влево или вправо. (из-за неравномерной заточки пильной цепи или повреждения только с одной стороны)

Выполняйте заточку пильной цепи достаточно часто, но понемногу. Для заточки пилы при проведении повседневного ухода обычно достаточно двух или трех проходов напильником. После нескольких заточек заточите пильную цепь в авторизованном сервисном центре.

**Требования к заточке:**

**▲ОСТОРОЖНО:** Слишком большое расстояние между режущей кромкой и глубиномером повышает риск отбрасывания инструмента из-за отдачи.

- **Рис.37:** 1. Длина режущего элемента  
2. Расстояние между режущей кромкой и глубиномером 3. Минимальная длина зубьев (3 мм)

- Длина всех зубьев должна быть одинаковой. Зубья разной длины будут затруднять плавное движение пильной цепи и могут привести к ее разрыву.
- Если длина зубьев пильной цепи 3 мм или меньше, затачивать цепь запрещается. Вместо этого ее необходимо заменить.

- Толщина опилок определяется расстоянием между глубиномером (круглый выступ) и краем режущей кромки.
- Наилучшие результаты достигаются при соблюдении следующего расстояния между режущей кромкой и глубиномером.
  - Цепное лезвие 91PX : 0,65 мм
  - Цепное лезвие 80TXL : 0,65 мм

► **Рис.38**

- Угол заточки в 30° должен соблюдаться на всех зубьях. Разница в углах заточки может привести к резкому и неравномерному движению цепи, ускоренному износу и к разрыву цепи.
- Необходимо использовать подходящий круглый напильник, чтобы угол заточки был направлен от зубьев.
  - Цепное лезвие 91PX : 55°
  - Цепное лезвие 80TXL : 55°

**Напильник и заточка напильником**

- Для заточки цепей пилы используйте специальный круглый напильник (дополнительная принадлежность). Обычные круглые напильники не подходят для заточки цепей.
- Диаметр круглого напильника для каждой пильной цепи:
  - Цепное лезвие 91PX : 4,0 мм
  - Цепное лезвие 80TXL : 4,0 мм
- Напильник должен стачивать зуб только при движении вперед. При перемещении напильника назад приподнимайте его над зубьями.
- Сначала наточите самый короткий зуб. Длина этого зуба будет служить ориентиром для остальных зубьев пильной цепи.
- Направляйте напильник, как показано на рисунке.

► **Рис.39:** 1. Напильник 2. Пильная цепь

- При использовании держателя напильника (дополнительная принадлежность) направлять напильник будет значительно легче. Держатель напильника имеет метки для правильного угла заточки в 30° (совместите метки параллельно с пильной цепью) и ограничивает глубину проникновения (до 4/5 диаметра напильника).

► **Рис.40:** 1. Держатель напильника

- После заточки цепи проверьте высоту глубиномера, используя для этого измерительный инструмент для цепи (дополнительная принадлежность).

► **Рис.41**

- Удалите любые, даже небольшие, выступы материала при помощи специального плоского напильника (дополнительная принадлежность).
- Закруглите еще раз переднюю часть глубиномера.

**Очистка пильной шины**

В пазе пильной шины накапливаются щепки и опилки. Это может привести к засорению паза и ухудшить ток масла. Поэтому при заточке или замене пильной цепи необходимо выполнять очистку от щепок и опилок.

► **Рис.42**

**Очистка крышки звездочки**

Во внутренней части крышки звездочки накапливаются щепки и опилки. Поэтому необходимо снимать крышку звездочки и отсоединять пильную цепь от инструмента, а затем выполнять очистку от щепок и опилок.

► **Рис.43**

**Очистка отверстия для подачи масла**

Во время работы мелкая пыль или частицы могут скапливаться в отверстии для подачи масла. Они могут негативно повлиять на подачу масла и привести к недостаточной смазке всей пильной цепи. В случае ухудшения подачи масла к цепи в верхней части пильной шины очистите отверстие для подачи масла следующим образом.

1. Снимите крышку звездочки и пильную цепь с инструмента.

2. Удалите мелкую пыль или частицы плоской отверткой или аналогичным инструментом.

► **Рис.44:** 1. Шлицевая отвертка 2. Отверстие нагнетания масла

3. Вставьте блок аккумулятора в инструмент. Нажмите на триггерный переключатель для вымывания пыли и мелких частиц через отверстие подачи масла.

4. Выньте блок аккумулятора из инструмента. Установите крышку звездочки и пильную цепь обратно на инструмент.

**Замена звездочки**

**⚠ВНИМАНИЕ:** Изношенная звездочка приведет к повреждению новой пильной цепи. Во избежание этого замените звездочку.

Перед установкой новой пильной цепи проверьте состояние звездочки.

► **Рис.45:** 1. Звездочка 2. Подвергающиеся износу участки

При замене звездочки всегда устанавливайте новое блокирующее кольцо.

► **Рис.46:** 1. Блокирующее кольцо 2. Звездочка

**ПРИМЕЧАНИЕ:** Убедитесь, что звездочка была установлена, как показано на рисунке.

**Хранение инструмента**

1. Перед хранением почистите пилу. Сняв крышку звездочки, удалите щепки и опилки.

2. После очистки инструмента включите его на холостом ходу, чтобы смазать пильную цепь и пильную шину.

3. Закройте пильную шину крышкой.

4. Опорожните масляный бак.

## Указания по периодическому обслуживанию

Чтобы обеспечить продолжительный срок эксплуатации, предотвратить повреждения и обеспечить правильную работу защитных устройств, необходимо регулярно проводить обслуживание. Гарантийные претензии принимаются только при условии надлежащего и регулярного выполнения этих работ. Невыполнение обязательного обслуживания может стать причиной происшествий! Пользователь цепной пилы не должен проводить обслуживание, не описанное в настоящем руководстве. Все подобные работы должны выполняться только в авторизованном сервисном центре.

Элемент, подлежащий проверке / Время эксплуатации		Перед началом работы	Ежедневно	Еженедельно	Каждые 3 месяца	Ежегодно	Перед хранением
Цепная пила	Осмотр.	✓	-	-	-	-	-
	Очистка.	-	✓	-	-	-	-
	Проверьте в авторизованном сервисном центре.	-	-	-	-	✓	✓
Пильная цепь	Осмотр.	✓	-	-	-	-	-
	При необходимости заточите.	-	-	-	-	-	✓
Пильная шина	Осмотр.	✓	✓	-	-	-	-
	Снимите с цепной пилы.	-	-	-	-	-	✓
Тормоз цепи	Проверьте работу.	✓	-	-	-	-	-
	Регулярно передавать для осмотра в авторизованный сервисный центр.	-	-	-	✓	-	-
Смазка цепи	Проверьте скорость подачи масла.	✓	-	-	-	-	-
Триггерный переключатель	Осмотр.	✓	-	-	-	-	-
Рычаг разблокировки	Осмотр.	✓	-	-	-	-	-
Крышка маслобака	Проверьте герметичность.	✓	-	-	-	-	-
Уловитель цепи	Осмотр.	-	-	✓	-	-	-
Винты и гайки	Осмотр.	-	-	✓	-	-	-

# ПОИСК И УСТРАНЕНИЕ НЕИСПРАВНОСТЕЙ

Прежде чем обращаться по поводу ремонта, проведите осмотр самостоятельно. Если обнаружена неисправность, не указанная в руководстве, не пытайтесь разобрать инструмент. Обратитесь в один из авторизованных сервисных центров Makita, в которых для ремонта всегда используются оригинальные детали Makita.

Неисправность	Причина	Действие
Цепная пила не включается.	Не вставлен блок аккумулятора.	Установите заряженный блок аккумулятора.
	Неисправен аккумулятор (низкое напряжение).	Подзарядите блок аккумулятора. Если подзарядка не помогает, замените блок аккумулятора.
	Основной переключатель питания выключен.	Цепная пила автоматически отключается при бездействии в течение определенного времени. Снова включите основной переключатель питания.
Пильная цепь не работает.	Включен тормоз цепи.	Отпустите тормоз цепи.
После непродолжительного использования двигатель останавливается.	Низкий уровень заряда аккумулятора.	Подзарядите блок аккумулятора. Если подзарядка не помогает, замените блок аккумулятора.
Нет масла на цепи.	Масляный бак пуст.	Заполните масляный бак.
	Загрязнен направляющий желоб для масла.	Очистите желоб.
	Недостаточная подача масла.	Отрегулируйте подачу масла с помощью винта регулировки.
Цепная пила не достигает максимального числа оборотов в минуту.	Неправильно установлен блок аккумулятора.	Вставьте блок аккумулятора, как описано в настоящем руководстве.
	Заряд аккумулятора падает.	Зарядите блок аккумулятора. Если перезарядка не помогает, замените блок аккумулятора.
	Привод работает неправильно.	Обратитесь в авторизованный сервисный центр в вашем регионе для выполнения ремонта.
Основной индикатор питания мигает зеленым.	Триггерный переключатель активирован в условиях, когда эксплуатация невозможна.	Включите основной переключатель питания и отпустите тормоз цепи. После этого потяните триггерный переключатель.
Цепь не останавливается даже после включения тормоза цепи: <b>Немедленно остановите инструмент!</b>	Тормозная лента износилась.	Обратитесь в авторизованный сервисный центр в вашем регионе для выполнения ремонта.
Сильная вибрация: <b>Немедленно остановите инструмент!</b>	Ослабьте пильную шину или пильную цепь.	Отрегулируйте натяжение пильной шины и пильной цепи.
	Неисправность инструмента.	Обратитесь в авторизованный сервисный центр в вашем регионе для выполнения ремонта.
Невозможно установить пильную цепь.	Неправильное сочетание пильной цепи и звездочки.	Используйте правильную комбинацию пильной цепи и звездочки (см. раздел технических характеристик).

## ДОПОЛНИТЕЛЬНЫЕ ПРИНАДЛЕЖНОСТИ

**▲ВНИМАНИЕ:** Данные принадлежности или приспособления рекомендуются для использования с инструментом Makita, указанным в настоящем руководстве. Использование других принадлежностей или приспособлений может привести к получению травмы. Используйте принадлежность или приспособление только по указанному назначению.

Если вам необходимо содействие в получении дополнительной информации по этим принадлежностям, свяжитесь с вашим сервис-центром Makita.

- Пильная цепь
- Пильная шина

- Крышка пильной шины
- Напильник
- Сумка для инструмента
- Оригинальный аккумулятор и зарядное устройство Makita

**▲ОСТОРОЖНО:** При покупке пильной шины, которая отличается по длине от стандартной модели, вместе с ней необходимо также приобрести крышку пильной шины подходящего размера. Убедитесь, что эта крышка подходит и полностью закрывает пильную шину цепной пилы.

**ПРИМЕЧАНИЕ:** Некоторые элементы списка могут входить в комплект инструмента в качестве стандартных приспособлений. Они могут отличаться в зависимости от страны.









**Makita Europe N.V.** Jan-Baptist Vinkstraat 2,  
3070 Kortenberg, Belgium

**Makita Corporation** 3-11-8, Sumiyoshi-cho,  
Anjo, Aichi 446-8502 Japan

[www.makita.com](http://www.makita.com)

885959-985  
EN, SV, NO, FI, DA,  
LV, LT, ET, RU  
20211203