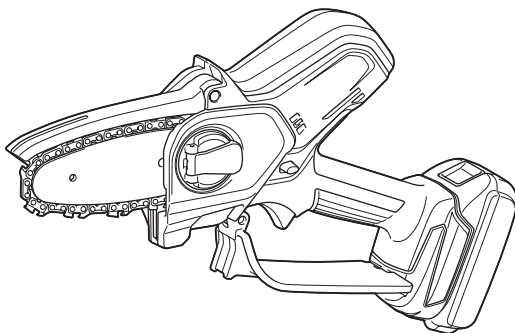




EN	Cordless Pruning Saw	INSTRUCTION MANUAL	8
SV	Batteridrivnen grensåg	BRUKSANVISNING	19
NO	Batteridrevet beskæringssag	BRUKSANVISNING	30
FI	Akkukäyttöinen karsintasaha	KÄYTTÖOHJE	41
DA	Akku beskæringssav	BRUGSANVISNING	51
LV	Akumulatora atzarošanas ķēdes zāģis	LIETOŠANAS INSTRUKCIJA	62
LT	Akumuliatorinis grandininis genėjimo pjūklas	NAUDOJIMO INSTRUKCIJA	73
ET	Akukettsaag	KASUTUSJUHEND	84
RU	Акумуляторная цепная пила	РУКОВОДСТВО ПО ЭКСПЛУАТАЦИИ	94

DUC101



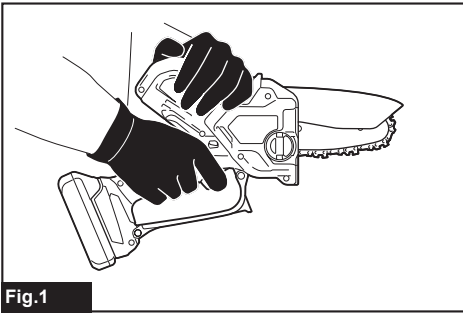


Fig.1

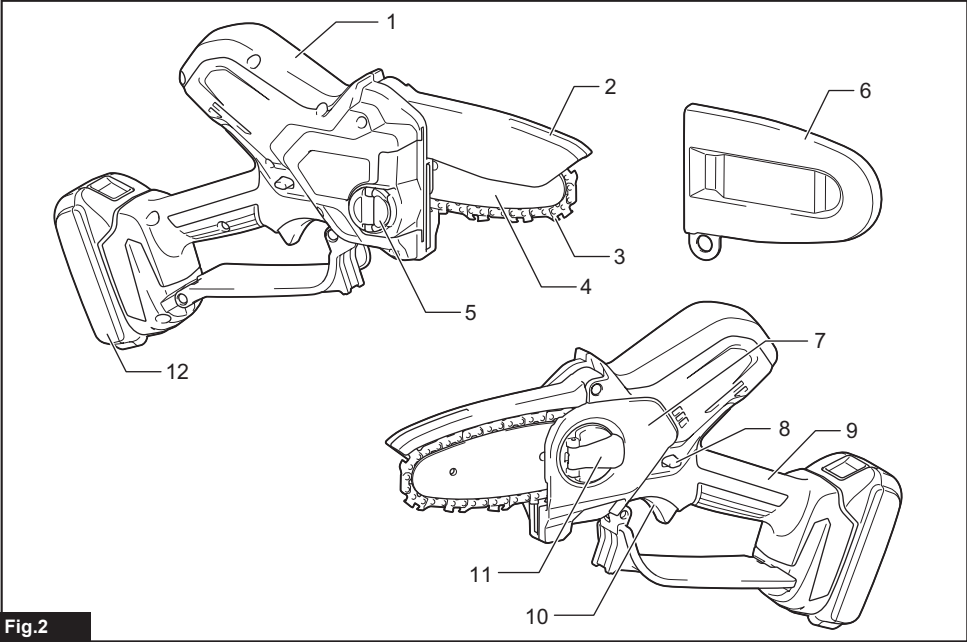


Fig.2

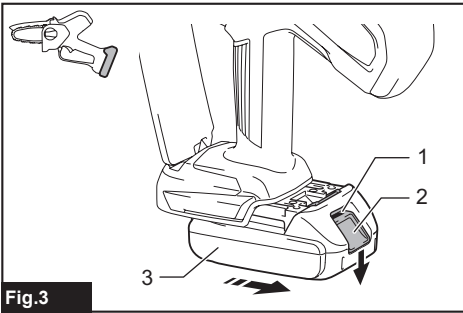


Fig.3

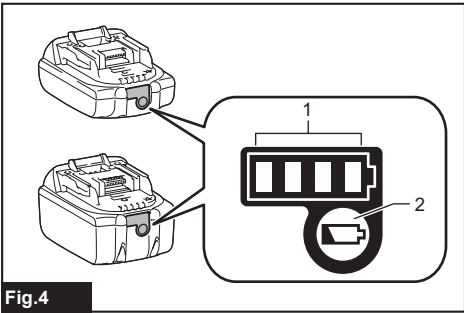
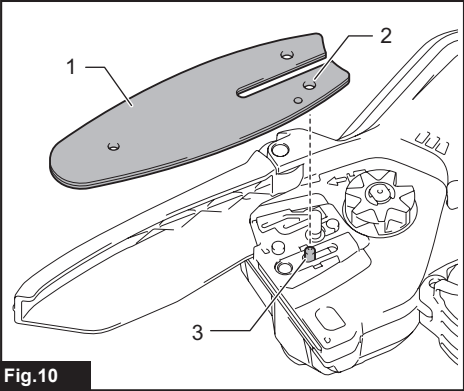
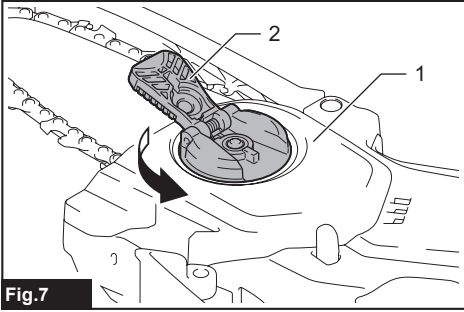
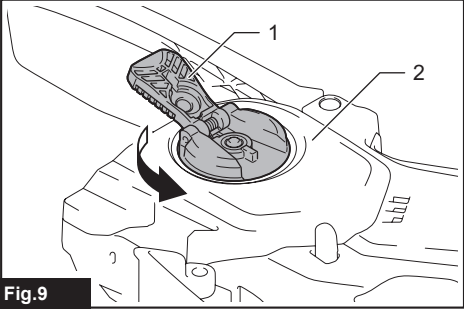
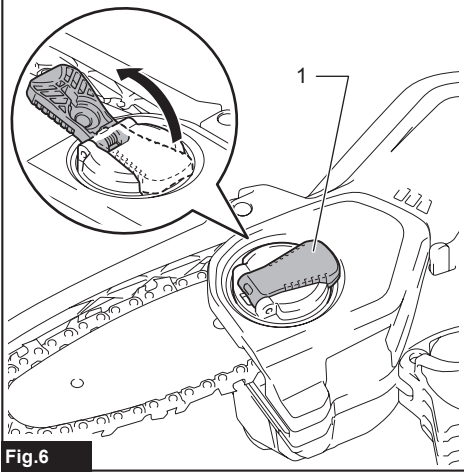
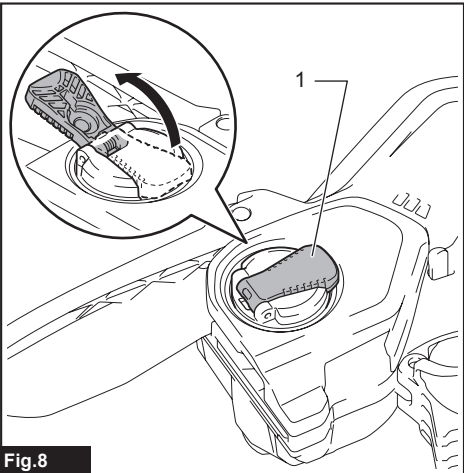
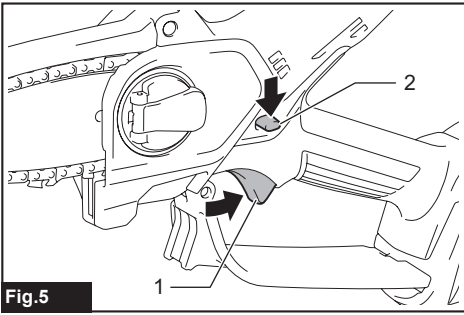


Fig.4



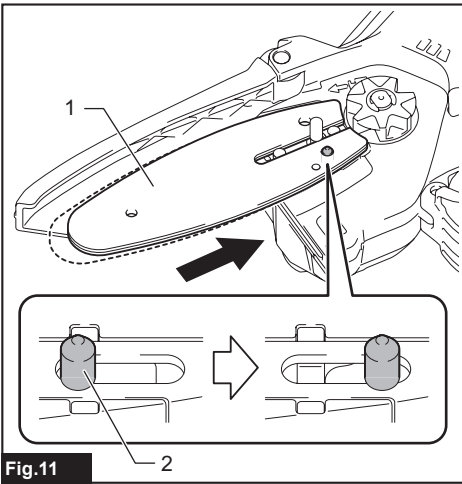


Fig. 11

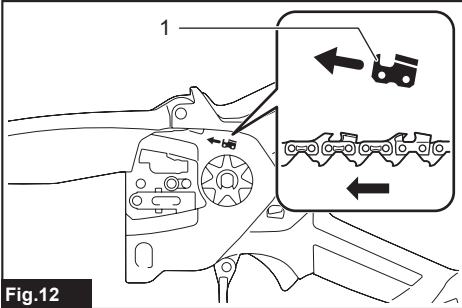


Fig. 12

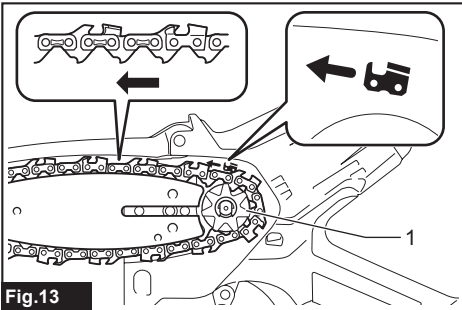


Fig. 13

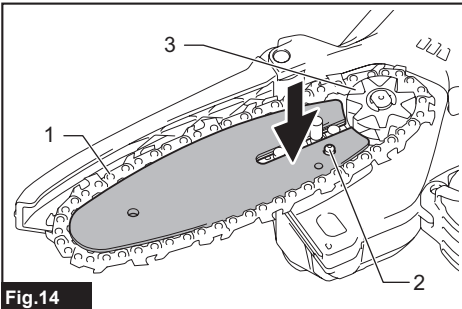


Fig. 14

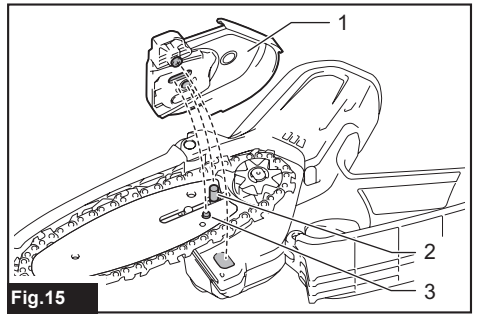


Fig. 15

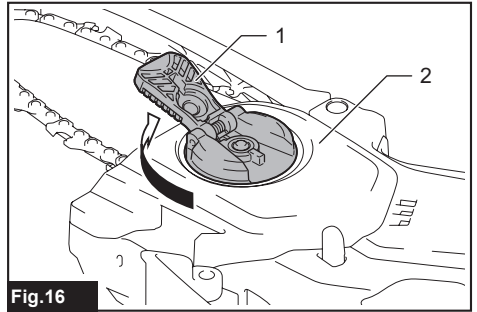


Fig. 16

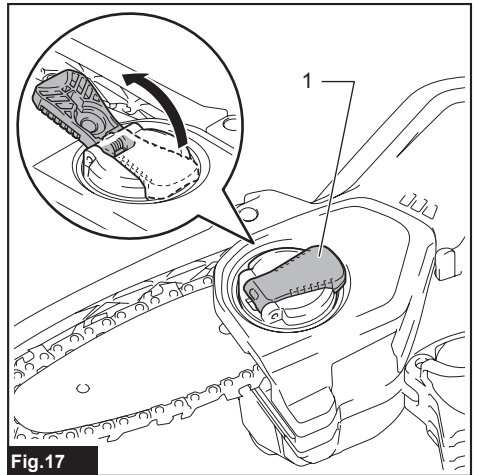


Fig. 17

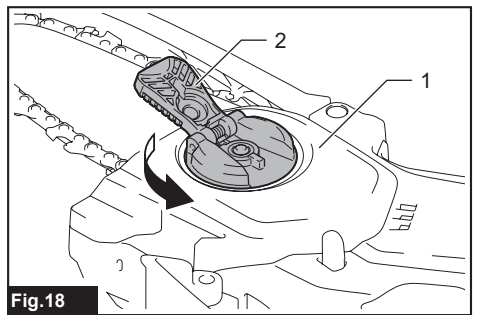
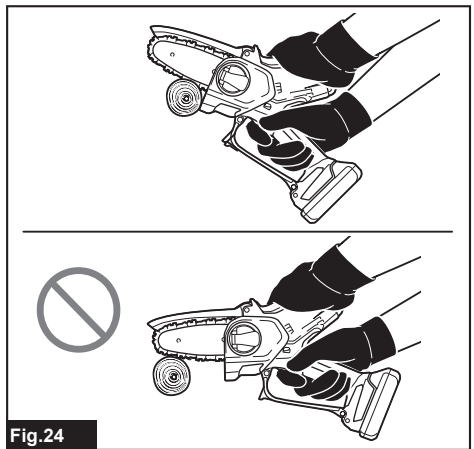
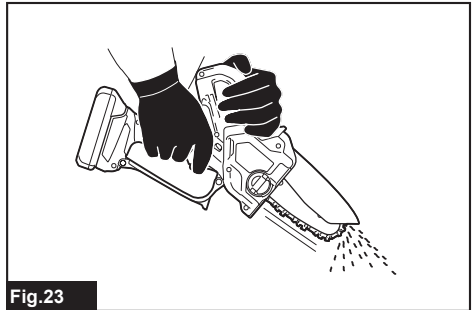
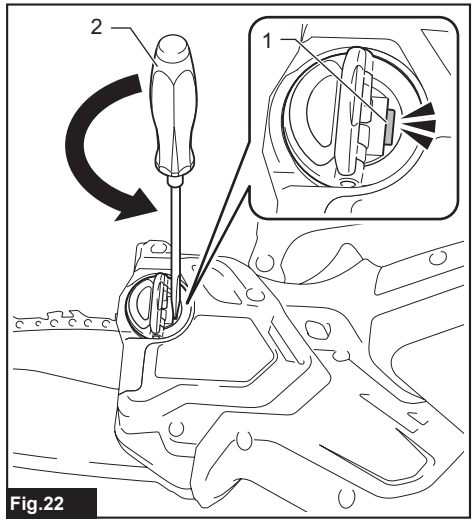
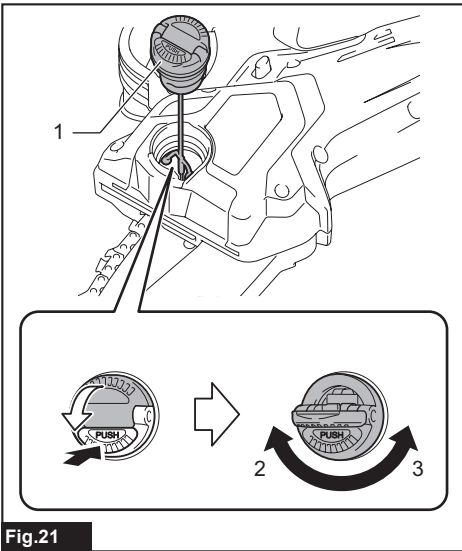
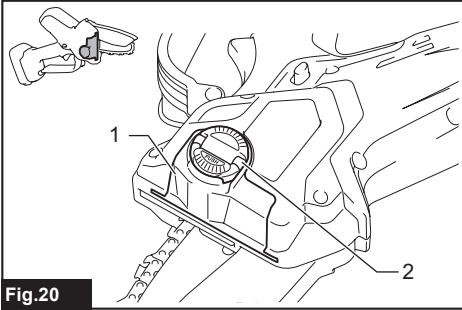
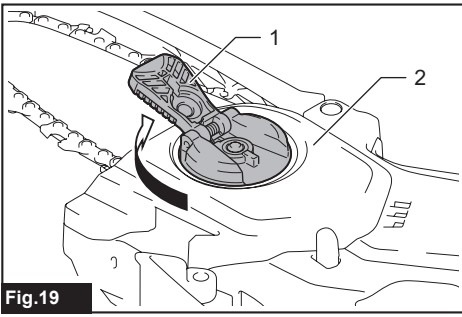


Fig. 18



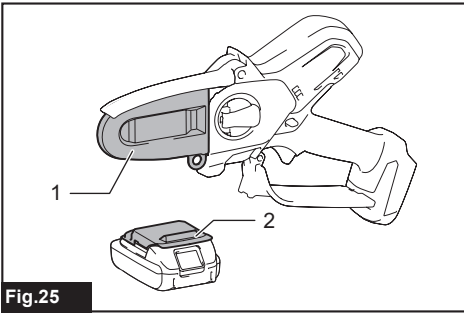


Fig.25

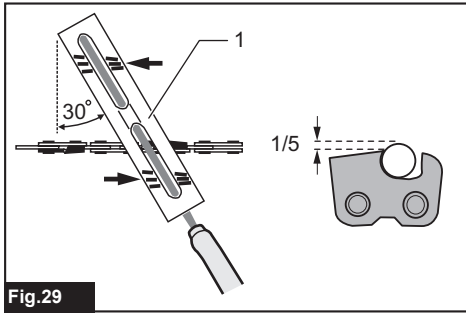


Fig.29

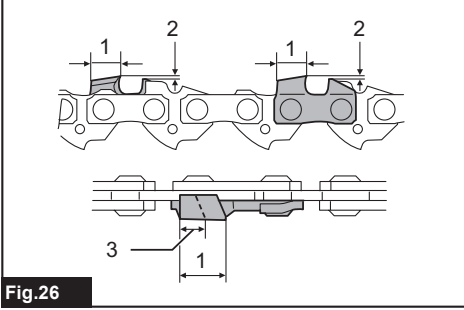


Fig.26

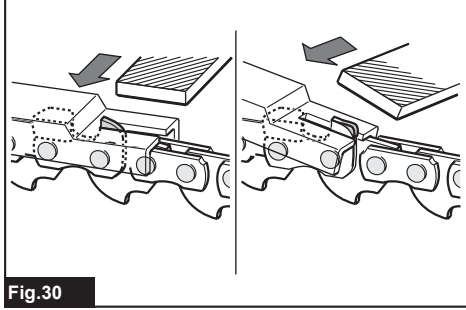


Fig.30

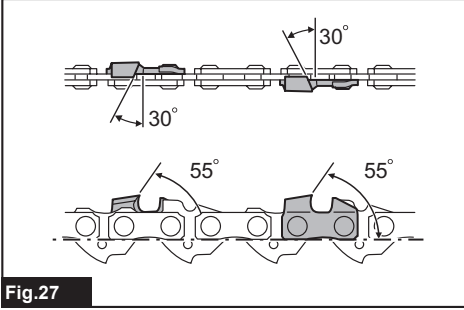


Fig.27

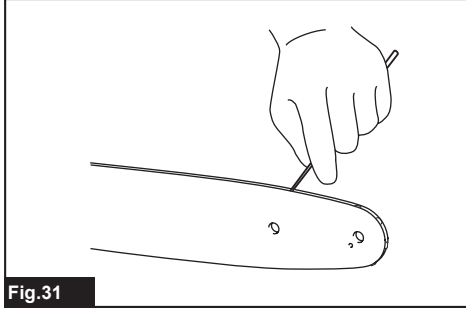


Fig.31

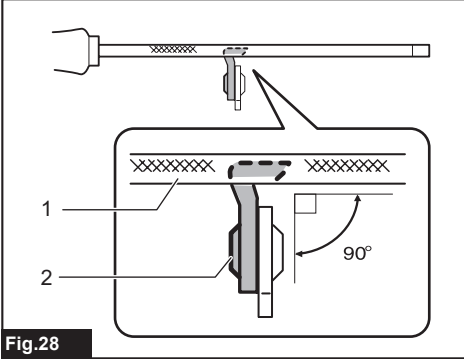


Fig.28

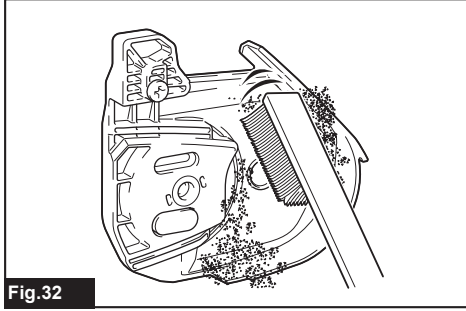
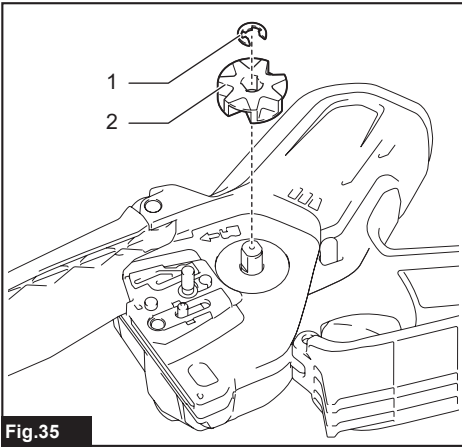
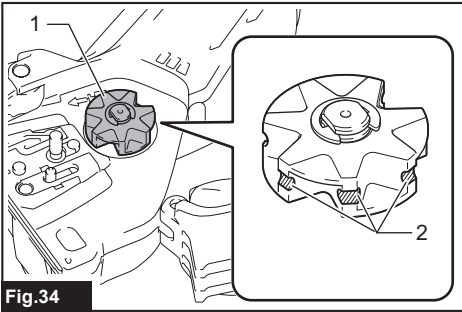
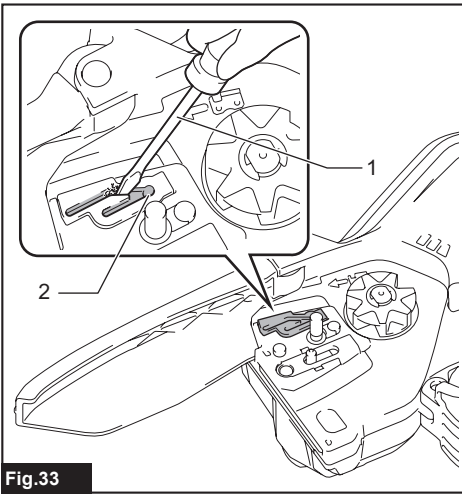


Fig.32



SPECIFICATIONS

Model:		DUC101
Overall length (without guide bar and battery)		357 mm
Rated voltage		D.C. 18 V
Net weight	*1	1.1 kg
	*2	1.6 - 2.0 kg
Standard guide bar length		100 mm
Recommended guide bar length		100 mm
Applicable saw chain type (refer to the table below)		80TXL
Sprocket	Number of teeth	7
	Pitch	0.325"
Chain speed		0 - 8.0 m/s (0 - 480 m/min)
Chain oil tank volume		55 cm ³

- Due to our continuing program of research and development, the specifications herein are subject to change without notice.
 - Specifications may differ from country to country.
- *1: Weight, without the saw chain, guide bar, guide bar cover, oil and battery cartridge(s).
 *2: The lightest and heaviest combination of weight, according to EPTA-Procedure 01/2014. The weight may differ depending on the attachment(s), including the battery cartridge(s).

Saw chain, guide bar, and sprocket combination

Saw chain type		80TXL
Number of drive links		26
Guide bar	Guide bar length	100 mm
	Cutting length	111 mm
	Pitch	0.325"
	Gauge	1.1 mm
	Type	Hard nose bar
Sprocket	Number of teeth	7
	Pitch	0.325"

⚠WARNING: Use appropriate combination of the guide bar and saw chain. Otherwise personal injury may result.

Applicable battery cartridge and charger

Battery cartridge	BL1815N / BL1820B / BL1830B / BL1840B / BL1850B / BL1860B
Charger	DC18RC / DC18RD / DC18RE / DC18SD / DC18SE / DC18SF / DC18SH / DC18WC

- Some of the battery cartridges and chargers listed above may not be available depending on your region of residence.

⚠WARNING: Only use the battery cartridges and chargers listed above. Use of any other battery cartridges and chargers may cause injury and/or fire.











Recommended cord connected power source

Portable power pack	PDC01
---------------------	-------

- The cord connected power source(s) listed above may not be available depending on your region of residence.
- Before using the cord connected power source, read instruction and cautionary markings on them.

Symbols

The followings show the symbols which may be used for the equipment. Be sure that you understand their meaning before use.

	Read instruction manual.
	Wear safety glasses and ear protection.
	Always use two hands when operating the tool.
	Beware of kickback and avoid contact with bar tip.
	Do not expose to moisture.
	Maximum permissible cut length
	Direction of chain travel
	<p>Ni-MH Li-ion</p> <p>Only for EU countries Due to the presence of hazardous components in the equipment, waste electrical and electronic equipment, accumulators and batteries may have a negative impact on the environment and human health. Do not dispose of electrical and electronic appliances or batteries with household waste! In accordance with the European Directive on waste electrical and electronic equipment and on accumulators and batteries and waste accumulators and batteries, as well as their adaptation to national law, waste electrical equipment, batteries and accumulators should be stored separately and delivered to a separate collection point for municipal waste, operating in accordance with the regulations on environmental protection. This is indicated by the symbol of the crossed-out wheeled bin placed on the equipment.</p>
	Guaranteed sound power level according to EU Outdoor Noise Directive.
	Sound power level according to Australia NSW Noise Control Regulation.

Intended use

This tool is intended for cutting branches of trees or bushes by means of a saw-chain.

Noise

The typical A-weighted noise level determined according to EN62841-4-1:

Sound pressure level (L_{pA}) : 76 dB (A)

Sound power level (L_{WA}) : 87 dB (A)

Uncertainty (K) : 3 dB (A)

NOTE: The declared noise emission value(s) has been measured in accordance with a standard test method and may be used for comparing one tool with another.

NOTE: The declared noise emission value(s) may also be used in a preliminary assessment of exposure.

⚠WARNING: Wear ear protection.

⚠WARNING: The noise emission during actual use of the power tool can differ from the declared value(s) depending on the ways in which the tool is used especially what kind of workpiece is processed.

⚠WARNING: Be sure to identify safety measures to protect the operator that are based on an estimation of exposure in the actual conditions of use (taking account of all parts of the operating cycle such as the times when the tool is switched off and when it is running idle in addition to the trigger time).

Vibration

The vibration total value (tri-axial vector sum) determined according to EN62841-4-1:
Work mode: cutting wood
Vibration emission ($a_{h,W}$) : 4.6 m/s^2
Uncertainty (K) : 1.5 m/s^2

NOTE: The declared vibration total value(s) has been measured in accordance with a standard test method and may be used for comparing one tool with another.

NOTE: The declared vibration total value(s) may also be used in a preliminary assessment of exposure.

⚠WARNING: The vibration emission during actual use of the power tool can differ from the declared value(s) depending on the ways in which the tool is used especially what kind of workpiece is processed.

⚠WARNING: Be sure to identify safety measures to protect the operator that are based on an estimation of exposure in the actual conditions of use (taking account of all parts of the operating cycle such as the times when the tool is switched off and when it is running idle in addition to the trigger time).

Declarations of Conformity

For European countries only

The Declarations of conformity are included in Annex A to this instruction manual.

SAFETY WARNINGS

General power tool safety warnings

⚠ WARNING Read all safety warnings, instructions, illustrations and specifications provided with this power tool. Failure to follow all instructions listed below may result in electric shock, fire and/or serious injury.

Save all warnings and instructions for future reference.

The term "power tool" in the warnings refers to your mains-operated (corded) power tool or battery-operated (cordless) power tool.

General pruner saw safety warnings

1. **Keep all parts of the body away from the saw chain when the pruner saw is operating. Before you start the pruner saw, make sure the saw chain is not contacting anything.** A moment of inattention while operating pruner saws may cause entanglement of your clothing or body with the saw chain.
2. **Always hold the pruner saw with one hand on the rear handle and the other hand on the auxiliary handle.**
3. **Hold the pruner saw by insulated gripping surfaces only, because the saw chain may contact hidden wiring.** Saw chains contacting a "live" wire may make exposed metal parts of the pruner saw "live" and could give the operator an electric shock.
4. **Wear eye protection. Further protective equipment for hearing, head, hands, legs and feet is recommended.** Adequate protective equipment will reduce personal injury from flying debris or accidental contact with the saw chain.
5. **Do not operate a pruner saw in a tree, on a ladder, from a rooftop, or any unstable support.** Operation of a pruner saw in this manner could result in serious personal injury.
6. **Always keep proper footing and operate the pruner saw only when standing on fixed, secure and level surface.** Slippery or unstable surfaces may cause a loss of balance or control of the pruner saw.
7. **When cutting a branch that is under tension, be alert for spring back.** When the tension in the wood fibres is released, the spring loaded branch may strike the operator and/or throw the pruner saw out of control.
8. **Use extreme caution when cutting brush and saplings.** The slender material may catch the saw chain and be whipped toward you or pull you off balance.
9. **Carry the pruner saw with the pruner saw switched off and away from your body. When transporting or storing the pruner saw, always fit the guide bar cover.** Proper handling of the pruner saw will reduce the likelihood of accidental contact with the moving saw chain.

10. **Follow instructions for lubricating, chain tensioning and changing the bar and chain.** Improperly tensioned or lubricated chain may either break or increase the chance for kickback.
11. **Cut wood only. Do not use pruner saw for purposes not intended. For example: do not use pruner saw for cutting metal, plastic, masonry or non-wood building materials.** Use of the pruner saw for operations different than intended could result in a hazardous situation.
12. **This pruner saw is not intended for tree felling.** Use of the pruner saw for operations different than intended could result in serious injury to the operator or bystanders.
13. **Follow all instructions when clearing jammed material, storing or servicing the pruner saw. Make sure the switch is off and the battery pack is removed.**
14. **Causes and operator prevention of kickback:** Kickback may occur when the nose or tip of the guide bar touches an object, or when the wood closes in and pinches the saw chain in the cut. Tip contact in some cases may cause a sudden reverse reaction, kicking the guide bar up and back towards the operator. Pinching the saw chain along the top of the guide bar may push the guide bar rapidly back towards the operator. Either of these reactions may cause you to lose control of the saw which could result in serious personal injury. Do not rely exclusively upon the safety devices built into your saw. As a pruner saw user, you should take several steps to keep your cutting jobs free from accident or injury. Kickback is the result of pruner saw misuse and/or incorrect operating procedures or conditions and can be avoided by taking proper precautions as given below:
 - **Maintain a firm grip, with thumbs and fingers encircling the pruner saw handles, with both hands on the saw and position your body and arm to allow you to resist kickback forces.** Kickback forces can be controlled by the operator, if proper precautions are taken. Do not let go of the pruner saw.
15. **Follow all instructions when clearing jammed material, storing or servicing the pruner saw. Make sure the switch is off and the battery pack is removed.**

► Fig.1

- **Do not overreach and do not cut above shoulder height.** This helps prevent unintended tip contact and enables better control of the pruner saw in unexpected situations.
- **Only use replacement guide bars and saw chains specified by the manufacturer.** Incorrect replacement guide bars and saw chains may cause chain breakage and/or kickback.
- **Follow the manufacturer's sharpening and maintenance instructions for the saw chain.** Decreasing the depth gauge height can lead to increased kickback.

Additional Safety Instructions

Personal protective equipment

1. **Clothing must be close-fitting, but must not obstruct mobility.**
2. **Wear the following protective clothing during work:**
 - A tested safety helmet, if a hazard is presented by falling branches or similar;
 - A face mask or goggles;
 - Suitable ear protection (ear muffs, custom or mouldable ear plugs). Octave brand analysis upon request.
 - Firm leather safety gloves;
 - Long trousers manufactured from strong fabric;
 - Protective dungarees of cut-resistant fabric;
 - Safety shoes or boots with non-slip soles, steel toes, and cut-resistant fabric lining;
 - A breathing mask, when carrying out work which produces dust (e.g. sawing dry wood).

Operation

1. **Before starting work, check that the tool is in proper working order and that its condition complies with the safety regulations. Check in particular that:**
 - The run-down brake is working properly;
 - The bar and the sprocket cover are fitted correctly;
 - The chain has been sharpened and tensioned in accordance with the regulations.
2. **Do not start the tool with the chain cover being installed on it.** Starting the tool with the chain cover being installed on it may cause the chain cover to thrown out forward resulting in personal injury and damage to objects around the operator.
3. **Do not stand directly under the branch that is being cut. Pay attention to the falling branches.**
4. **Do not operate the tool in bad weather or if there is a risk of lightning.**
5. **When you use the tool on muddy ground, wet slope, or slippery place, pay attention to your footing.**

Electrical and battery safety

1. **Avoid dangerous environment. Don't use the tool in dump or wet locations or expose it to rain.** Water entering the tool will increase the risk of electric shock.
2. **Do not dispose of the battery(ies) in a fire.** The cell may explode. Check with local codes for possible special disposal instructions.
3. **Do not open or mutilate the battery(ies).** Released electrolyte is corrosive and may cause damage to the eyes or skin. It may be toxic if swallowed.
4. **Do not charge battery in rain, or in wet locations.**
5. **Do not charge the battery outdoors.**
6. **Do not handle charger, including charger plug, and charger terminals with wet hands.**
7. **Do not replace the battery with wet hands.**

8. **Do not leave the battery in the rain, nor charge, use, or store the battery in a damp or wet place.**
9. **Do not wet the terminal of battery with liquid such as water, or submerge the battery.** If the terminal gets wet or liquid enters inside of battery, the battery may be short circuited and there is a risk of overheat, fire, or explosion.
10. **After removing the battery from the machine or charger, be sure to attach the battery cover to the battery and store it in a dry place.**
11. **If the battery cartridge gets wet, drain the water inside and then wipe it with a dry cloth. Dry the battery cartridge completely in a dry place before use.**

SAVE THESE INSTRUCTIONS.

⚠WARNING: DO NOT let comfort or familiarity with product (gained from repeated use) replace strict adherence to safety rules for the subject product. MISUSE or failure to follow the safety rules stated in this instruction manual may cause serious personal injury.

Important safety instructions for battery cartridge

1. **Before using battery cartridge, read all instructions and cautionary markings on (1) battery charger, (2) battery, and (3) product using battery.**
2. **Do not disassemble or tamper with the battery cartridge.** It may result in a fire, excessive heat, or explosion.
3. **If operating time has become excessively shorter, stop operating immediately. It may result in a risk of overheating, possible burns and even an explosion.**
4. **If electrolyte gets into your eyes, rinse them out with clear water and seek medical attention right away. It may result in loss of your eyesight.**
5. **Do not short the battery cartridge:**
 - (1) **Do not touch the terminals with any conductive material.**
 - (2) **Avoid storing battery cartridge in a container with other metal objects such as nails, coins, etc.**
 - (3) **Do not expose battery cartridge to water or rain.**

A battery short can cause a large current flow, overheating, possible burns and even a breakdown.
6. **Do not store and use the tool and battery cartridge in locations where the temperature may reach or exceed 50 °C (122 °F).**
7. **Do not incinerate the battery cartridge even if it is severely damaged or is completely worn out. The battery cartridge can explode in a fire.**
8. **Do not nail, cut, crush, throw, drop the battery cartridge, or hit against a hard object to the battery cartridge.** Such conduct may result in a fire, excessive heat, or explosion.

9. **Do not use a damaged battery.**
10. **The contained lithium-ion batteries are subject to the Dangerous Goods Legislation requirements.**
For commercial transports e.g. by third parties, forwarding agents, special requirement on packaging and labeling must be observed.
For preparation of the item being shipped, consulting an expert for hazardous material is required. Please also observe possibly more detailed national regulations.
Tape or mask off open contacts and pack up the battery in such a manner that it cannot move around in the packaging.
11. **When disposing the battery cartridge, remove it from the tool and dispose of it in a safe place. Follow your local regulations relating to disposal of battery.**
12. **Use the batteries only with the products specified by Makita.** Installing the batteries to non-compliant products may result in a fire, excessive heat, explosion, or leak of electrolyte.
13. **If the tool is not used for a long period of time, the battery must be removed from the tool.**
14. **During and after use, the battery cartridge may take on heat which can cause burns or low temperature burns. Pay attention to the handling of hot battery cartridges.**
15. **Do not touch the terminal of the tool immediately after use as it may get hot enough to cause burns.**
16. **Do not allow chips, dust, or soil stuck into the terminals, holes, and grooves of the battery cartridge.** It may cause heating, catching fire, burst and malfunction of the tool or battery cartridge, resulting in burns or personal injury.
17. **Unless the tool supports the use near high-voltage electrical power lines, do not use the battery cartridge near high-voltage electrical power lines.** It may result in a malfunction or breakdown of the tool or battery cartridge.
18. **Keep the battery away from children.**

SAVE THESE INSTRUCTIONS.

⚠ CAUTION: Only use genuine Makita batteries. Use of non-genuine Makita batteries, or batteries that have been altered, may result in the battery bursting causing fires, personal injury and damage. It will also void the Makita warranty for the Makita tool and charger.

Tips for maintaining maximum battery life

1. **Charge the battery cartridge before completely discharged. Always stop tool operation and charge the battery cartridge when you notice less tool power.**
2. **Never recharge a fully charged battery cartridge. Overcharging shortens the battery service life.**
3. **Charge the battery cartridge with room temperature at 10 °C - 40 °C (50 °F - 104 °F). Let a hot battery cartridge cool down before charging it.**
4. **When not using the battery cartridge, remove it from the tool or the charger.**
5. **Charge the battery cartridge if you do not use it for a long period (more than six months).**

PARTS DESCRIPTION

► Fig.2

1	Auxiliary handle	2	Safety cover	3	Saw chain
4	Guide bar	5	Oil tank cap	6	Guide bar cover
7	Sprocket cover	8	Lock-off lever	9	Rear handle
10	Switch trigger	11	Lever	12	Battery cartridge

FUNCTIONAL DESCRIPTION

⚠ CAUTION: Always be sure that the tool is switched off and the battery cartridge is removed before adjusting or checking function on the tool.

Installing or removing battery cartridge

⚠ CAUTION: Always switch off the tool before installing or removing of the battery cartridge.

⚠ CAUTION: Hold the tool and the battery cartridge firmly when installing or removing battery cartridge. Failure to hold the tool and the battery cartridge firmly may cause them to slip off your hands and result in damage to the tool and battery cartridge and a personal injury.

► **Fig. 3:** 1. Red indicator 2. Button 3. Battery cartridge

To remove the battery cartridge, slide it from the tool while sliding the button on the front of the cartridge.

To install the battery cartridge, align the tongue on the battery cartridge with the groove in the housing and slip it into place. Insert it all the way until it locks in place with a little click. If you can see the red indicator as shown in the figure, it is not locked completely.

⚠ CAUTION: Always install the battery cartridge fully until the red indicator cannot be seen. If not, it may accidentally fall out of the tool, causing injury to you or someone around you.

⚠ CAUTION: Do not install the battery cartridge forcibly. If the cartridge does not slide in easily, it is not being inserted correctly.

Indicating the remaining battery capacity

Only for battery cartridges with the indicator

► **Fig. 4:** 1. Indicator lamps 2. Check button

Press the check button on the battery cartridge to indicate the remaining battery capacity. The indicator lamps light up for a few seconds.

Indicator lamps			Remaining capacity
Lighted	Off	Blinking	
			75% to 100%
			50% to 75%
			25% to 50%
			0% to 25%
			Charge the battery.
			The battery may have malfunctioned.

NOTE: Depending on the conditions of use and the ambient temperature, the indication may differ slightly from the actual capacity.

NOTE: The first (far left) indicator lamp will blink when the battery protection system works.

Tool / battery protection system

The tool is equipped with a tool/battery protection system. This system automatically cuts off power to the motor to extend tool and battery life. The tool will automatically stop during operation if the tool or battery is placed under one of the following conditions:

Overload protection

When the tool or battery is operated in a manner that causes it to draw an abnormally high current, the tool automatically stops. In this situation, turn the tool off and stop the application that caused the tool to become overloaded. Then turn the tool on to restart.

Overheat protection

When the tool or battery is overheated, the tool stops automatically. In this case, let the tool and battery cool before turning the tool on again.

Overdischarge protection

When the battery capacity is not enough, the tool stops automatically. In this case, remove the battery from the tool and charge the battery.

Switch action

⚠ WARNING: For your safety, this tool is equipped with lock-off lever which prevents the tool from unintended starting. NEVER use the tool if it runs when you simply pull the switch trigger without pressing the lock-off lever. Return the tool to our authorized service center for proper repairs BEFORE further usage.

⚠ WARNING: NEVER tape down or defeat purpose and function of lock-off lever.

⚠ CAUTION: Before installing the battery cartridge into the tool, always check to see that the switch trigger actuates properly and returns to the "OFF" position when released.

NOTICE: Do not pull the switch trigger hard without pressing the lock-off lever. This can cause switch breakage.

To prevent the switch trigger from being accidentally pulled, a lock-off lever is provided. To start the tool, depress the lock-off lever and pull the switch trigger. Release the switch trigger to stop.

► **Fig. 5:** 1. Switch trigger 2. Lock-off lever

Checking the run-down brake

CAUTION: If the saw chain does not stop within a few seconds in this test, stop using the tool and consult our authorized service center.

Run the tool, and then release the switch trigger completely. The saw chain must come to a standstill within a few seconds.

ASSEMBLY

CAUTION: Always be sure that the tool is switched off and the battery cartridge is removed before carrying out any work on the tool.

CAUTION: Do not touch the saw chain with bare hands. Always wear gloves when handling the saw chain.

Removing or installing saw chain

CAUTION: The saw chain and the guide bar are still hot just after the operation. Let them cool down enough before carrying out any work on the tool.

CAUTION: Carry out the procedure of installing or removing saw chain in a clean place free from sawdust and the like.

Removing the saw chain

To remove the saw chain, perform the following steps:

1. Pull the lever up.
► **Fig.6:** 1. Lever
2. Turn the lever counterclockwise until the sprocket cover comes off.
► **Fig.7:** 1. Sprocket cover 2. Lever
3. Remove the sprocket cover then remove the saw chain and guide bar from the tool body.

Installing the saw chain

To install the saw chain, perform the following steps:

1. Pull the lever up.
► **Fig.8:** 1. Lever
2. Turn the lever counterclockwise until the sprocket cover comes off.
► **Fig.9:** 1. Lever 2. Sprocket cover
3. Remove the sprocket cover.
4. Align the hole on the guide bar with the pin on the tool body, and then place the guide bar as shown in the figure.
► **Fig.10:** 1. Guide bar 2. Hole 3. Pin

5. Slide the guide bar toward the sprocket to lock the pin.

► **Fig.11:** 1. Guide bar 2. Pin

6. Remove the guide bar from the tool body.

7. Check the direction of the saw chain. Match the direction of the saw chain with that of the mark on the tool body.

► **Fig.12:** 1. Mark on tool body

8. Fit one end of the saw chain on the top of the guide bar.

9. Fit the other end of the saw chain around the sprocket, then attach the guide bar to the tool body so that the hole on the guide bar is aligned with the pin on the body.

► **Fig.13:** 1. Sprocket

Press the guide bar against the tool body to release the pin. The saw chain tension is automatically adjusted.

► **Fig.14:** 1. Saw chain 2. Pin 3. Sprocket

10. Place the sprocket cover so that the bolt and pin on the tool body meet their counterparts on the sprocket cover.

► **Fig.15:** 1. Sprocket cover 2. Bolt 3. Pin

11. Turn the lever clockwise until the sprocket cover is secured then return it to the original position.

► **Fig.16:** 1. Lever 2. Sprocket cover

Make sure that the saw chain does not loose and the saw chain can be moved smoothly back and forth. If necessary, adjust the tension of the saw chain by referring to the section for adjusting saw chain tension.

Adjusting saw chain tension

CAUTION: A chain which is too loose can jump off the bar and it may cause an injury or accident.

The saw chain may become loose after many hours of use. From time to time check the saw chain tension before use.

If the saw chain is loose, adjust the saw chain tension.

1. Pull the lever up.

► **Fig.17:** 1. Lever

2. Turn the lever counterclockwise a little to loosen the sprocket cover lightly. The chain tension is adjusted automatically.

► **Fig.18:** 1. Sprocket cover 2. Lever

3. Turn the lever clockwise until the sprocket cover is secured then return it to the original position.

► **Fig.19:** 1. Lever 2. Sprocket cover

OPERATION

Lubrication

CAUTION: Do not operate the tool when the tank is empty. Replenish the oil in due time before the tank is empty.

CAUTION: Prevent the oil from coming into contact with the skin and eyes. Contact with the eyes causes irritation. In the event of eye contact, flush the affected eye immediately with clear water, then consult a doctor at once.

CAUTION: Never use waste oil. Waste oil contains carcinogenic substances. The contaminants in waste oil cause accelerated wear of the oil pump, the bar and the chain. Waste oil is harmful to the environment.

NOTICE: When the tool is used for the first time, it may take up to two minutes for the saw chain oil to begin its lubricating effect upon the saw mechanism. Run the saw without load until it does so.

NOTICE: When filling the chain oil for the first time, or refilling the tank after it has been completely emptied, add oil up to the bottom edge of the filler neck. The oil delivery may otherwise be impaired.

NOTICE: Use the saw chain oil exclusively for Makita tools or equivalent oil available in the market.

NOTICE: Never use oil including dust and particles or volatile oil.

NOTICE: When pruning trees, use botanical oil. Mineral oil may harm trees.

NOTICE: Before the cutting operation, make sure that the provided oil tank cap is screwed in place.

Saw chain is automatically lubricated when the tool is in operation. Check the amount of remaining oil in the oil tank periodically through the oil inspection window.

► **Fig.20:** 1. Oil inspection window 2. Oil tank cap

To fill the oil, perform the following steps:

1. Clean the area around the oil tank cap thoroughly to prevent any dirt from entering the oil tank.
 2. Lay the tool on its side.
 3. Push the button on the oil tank cap so that the button on the other side stands up, and then remove the oil tank cap by turning it.
- **Fig.21:** 1. Oil tank cap 2. Tighten 3. Loosen
4. Fill the oil tank with the oil. The proper amount of oil is 55 ml.
 5. Screw the oil tank cap firmly back in place.
 6. Wipe away any spilt chain oil carefully.

NOTE: If it is difficult to remove the oil tank cap, insert the tip of slotted screwdriver into the slot of the oil tank cap, and then remove the oil tank cap by turning it counterclockwise.

► **Fig.22:** 1. Slot 2. Slotted screwdriver

After refilling, hold the tool away from the material to be cut. Start it and wait until lubrication on saw chain is adequate.

► **Fig.23**

Working with the tool

CAUTION: Keep all parts of the body away from the saw chain when the tool is operating.

CAUTION: Hold the tool firmly with both hands when the tool is operating.

CAUTION: Do not overreach. Keep proper footing and balance at all times.

NOTICE: Never toss or drop the tool.

NOTICE: Do not cover the vents of the tool.

Before starting the tool, bring the root of guide bar and the support part of tool body in contact with the branch to be cut as shown in the figure. While contacting the branch with the tool and guide bar, start the tool and saw the branch by moving the tool down along the branch.

► **Fig.24**

CAUTION: Before the cutting operation, make sure that the branch to be cut is in contact with the root of guide bar and the support part of tool body. Otherwise, the tool may be pulled toward the tip of guide bar and the guide bar may wobble, and may result in an injury.

Carrying tool

Before carrying the tool, always remove the battery cartridge from the tool. Then attach the guide bar cover. Also cover the battery cartridge with the battery cover.

► **Fig.25:** 1. Guide bar cover 2. Battery cover

MAINTENANCE

CAUTION: Always be sure that the tool is switched off and the battery cartridge is removed before attempting to perform inspection or maintenance.

CAUTION: Always wear gloves when performing any inspection or maintenance.

NOTICE: Never use gasoline, benzine, thinner, alcohol or the like. Discoloration, deformation or cracks may result.

To maintain product SAFETY and RELIABILITY, repairs, any other maintenance or adjustment should be performed by Makita Authorized or Factory Service Centers, always using Makita replacement parts.

Sharpening the saw chain

Sharpen the saw chain when:

- Mealy sawdust is produced when damp wood is cut;
- The chain penetrates the wood with difficulty, even when heavy pressure is applied;
- The cutting edge is obviously damaged;
- The saw pulls to the left or right in the wood. (caused by uneven sharpening of the saw chain or damage to one side only)

Sharpen the saw chain frequently but a little each time. Two or three strokes with a file are usually sufficient for routine resharpening. When the saw chain has been resharpened several times, have it sharpened in our authorized service center.

Sharpening criteria:

⚠ WARNING: An excessive distance between the cutting edge and depth gauge increases the risk of kickback.

- **Fig.26:** 1. Cutter length 2. Distance between cutting edge and depth gauge 3. Minimum cutter length (3 mm)

- All cutter length must be equal. Different cutter lengths prevent the saw chain from running smoothly and may cause the saw chain to break.
- Do not sharpen the chain when the cutter length has reached 3 mm or shorter. The chain must be replaced with new one.
- The chip thickness is determined by the distance between the depth gauge (round nose) and the cutting edge.
- The best cutting results are obtained with following distance between cutting edge and depth gauge.
 - Chain blade 80TXL : 0.65 mm

► **Fig.27**

- The sharpening angle of 30° must be the same on all cutters. Different cutter angles cause the chain to run roughly and unevenly, accelerate wear, and lead to chain breaks.
- Use a suitable round file so that the proper sharpening angle is kept against the teeth.
 - Chain blade 80TXL : 55°

File and file guiding

- Use a special round file (optional accessory) for saw chains to sharpen the chain. Normal round files are not suitable.
- Diameter of the round file for each saw chain is as follows:
 - Chain blade 80TXL : 4.0 mm
- The file should only engage the cutter on the forward stroke. Lift the file off the cutter on the return stroke.
- Sharpen the shortest cutter first. Then the length of this shortest cutter becomes the standard for all other cutters on the saw chain.
- Guide the file as shown in the figure.

- **Fig.28:** 1. File 2. Saw chain

- The file can be guided more easily if a file holder (optional accessory) is employed. The file holder has markings for the correct sharpening angle of 30° (align the markings parallel to the saw chain) and limits the depth of penetration (to 4/5 of the file diameter).

- **Fig.29:** 1. File holder

- After sharpening the chain, check the height of the depth gauge using the chain gauge tool (optional accessory).

- **Fig.30**

- Remove any projecting material, however small, with a special flat file (optional accessory).
- Round off the front of the depth gauge again.

Cleaning the guide bar

Chips and sawdust will build up in the guide bar groove. They may clog the bar groove and impair the oil flow. Clean out the chips and sawdust every time when you sharpen or replace the saw chain.

- **Fig.31**

Cleaning the sprocket cover

Chips and saw dust will accumulate inside of the sprocket cover. Remove the sprocket cover and saw chain from the tool then clean the chips and saw dust.

- **Fig.32**

Cleaning the oil discharge hole

Small dust or particles may be built up in the oil discharge hole during operation. These dust or particles may impair the oil to flow and cause an insufficient lubrication on the whole saw chain. When a poor chain oil delivery occurs at the top of guide bar, clean the oil discharge hole as follows.

1. Remove the sprocket cover and saw chain from the tool.
2. Remove the small dust or particles using a slotted screwdriver or the like.

- **Fig.33:** 1. Slotted screwdriver 2. Oil discharge hole

3. Insert the battery cartridge into the tool. Pull the switch trigger to flow built-up dust or particles off the oil discharge hole by discharging chain oil.

4. Remove the battery cartridge from the tool. Reinstall the sprocket cover and saw chain and guide bar on the tool.

Replacing the sprocket

⚠ CAUTION: A worn sprocket will damage a new saw chain. Have the sprocket replaced in this case.

Before fitting a new saw chain, check the condition of the sprocket.

- **Fig.34:** 1. Sprocket 2. Areas to be worn out

Always fit a new locking ring when replacing the sprocket.

- **Fig.35:** 1. Locking ring 2. Sprocket

NOTICE: Make sure that the sprocket is installed as shown in the figure.

Storing the tool

1. Clean the tool before storing. Remove any chips and sawdust from the tool after removing the sprocket cover.
2. After cleaning the tool, run it under no load to lubricate the saw chain and guide bar.
3. Cover the guide bar with the guide bar cover.
4. Empty the oil tank.

Instructions for periodic maintenance

To ensure long life, prevent damage and ensure the full functioning of the safety features, the following maintenance must be performed regularly. Warranty claims can be recognized only if this work is performed regularly and properly. Failure to perform the prescribed maintenance work can lead to accidents! The user of the tool must not perform maintenance work which is not described in the instruction manual. All such work must be carried out by our authorized service center.

Check item / Operating time		Before operation	Everyday	Every week	Every 3 month	Annually	Before storage
Whole tool	Inspection.	✓	-	-	-	-	-
	Cleaning.	-	✓	-	-	-	-
	Check at authorized service center.	-	-	-	-	✓	✓
Saw chain	Inspection.	✓	-	-	-	-	-
	Sharpening if necessary.	-	-	-	-	-	✓
Guide bar	Inspection.	✓	✓	-	-	-	-
	Remove from the tool.	-	-	-	-	-	✓
Chain lubrication	Check the oil feed rate.	✓	-	-	-	-	-
Switch trigger	Inspection.	✓	-	-	-	-	-
Lock-off lever	Inspection.	✓	-	-	-	-	-
Oil tank cap	Check tightness.	✓	-	-	-	-	-
Screws and nuts	Inspection.	-	-	✓	-	-	-

TROUBLESHOOTING

Before asking for repairs, conduct your own inspection first. If you find a problem that is not explained in the manual, do not attempt to dismantle the tool. Instead, ask Makita Authorized Service Centers, always using Makita replacement parts for repairs.

Malfunction status	Cause	Action
The tool does not start.	Battery cartridge is not installed.	Install a charged battery cartridge.
	Battery problem (low voltage).	Recharge the battery cartridge. If recharging is not effective, replace the battery cartridge.
The motor stops running after a little use.	Battery's charge level is low.	Recharge the battery cartridge. If recharging is not effective, replace the battery cartridge.
No oil on the chain.	Oil tank is empty.	Fill the oil tank.
	Oil guide groove is dirty.	Clean the groove.
The tool does not reach maximum RPM.	Battery cartridge is installed improperly.	Install the battery cartridge as described in this manual.
	Battery power is dropping.	Recharge the battery cartridge. If recharging is not effective, replace the battery cartridge.
	The drive system does not work correctly.	Ask the authorized service center in your region for repair.
Abnormal vibration: Stop the tool immediately!	Loose guide bar or saw chain.	Adjust the guide bar and saw chain tension.
	Tool malfunction.	Ask the authorized service center in your region for repair.
The saw chain cannot be installed.	The combination of saw chain and sprocket is not correct.	Use the correct combination of saw chain and sprocket by referring to the section for specifications.

OPTIONAL ACCESSORIES

⚠ CAUTION: These accessories or attachments are recommended for use with your Makita tool specified in this manual. The use of any other accessories or attachments might present a risk of injury to persons. Only use accessory or attachment for its stated purpose.

If you need any assistance for more details regarding these accessories, ask your local Makita Service Center.

- Saw chain
- Guide bar
- Guide bar cover
- File
- Tool bag
- Makita genuine battery and charger

NOTE: Some items in the list may be included in the tool package as standard accessories. They may differ from country to country.

SPECIFIKATIONER

Modell:		DUC101
Total längd (utan svärd och batteri)		357 mm
Märkspänning		18 V likström
Nettovikt	*1	1,1 kg
	*2	1,6 - 2,0 kg
Standard svärdlängd		100 mm
Rekommenderad svärdlängd		100 mm
Applicerad sågkedjetyp (se tabellen nedan)		80TXL
Kedjehjul	Antal tänder	7
	Delning	0,325"
Kedjehastighet		0 - 8,0 m/s (0 - 480 m/min)
Tankvolym kedjeolja		55 cm ³

- På grund av vårt pågående program för forskning och utveckling kan dessa specifikationer ändras utan föregående meddelande.
 - Specifikationer kan variera mellan olika länder.
- *1: Vikt, utan sågkedjan, svärdet, svärdskyddet, oljan och batterikassetten/kassetterna.
 *2: Den lättaste och tyngsta viktcombinationen enligt EPTA-procedur 01/2014. Vikten kan variera beroende på tillbehöret/tillbehören, inklusive batterikassetten/kassetterna.

Kombination av sågkedja, svärd och kedjehjul

Såggkedjetyp		80TXL
Antal drivlänkar		26
Svärd	Svärdlängd	100 mm
	Såglängd	111 mm
	Delning	0,325"
	Spårvidd	1,1 mm
	Typ	Solitt svärd
Kedjehjul	Antal tänder	7
	Delning	0,325"

⚠ VARNING: Använd en lämplig kombination av svärd och sågkedje. I annat fall kan personskada uppstå.

Tillgänglig batterikassett och laddare

Batterikassett	BL1815N / BL1820B / BL1830B / BL1840B / BL1850B / BL1860B
Laddare	DC18RC / DC18RD / DC18RE / DC18SD / DC18SE / DC18SF / DC18SH / DC18WC

- Vissa av batterikassetterna och laddarna på listan ovan kanske inte finns tillgängliga i din region.

⚠ VARNING: Använd endast batterikassetter och laddare från listan ovan. Användning av andra batterikassetter och laddare kan orsaka personskada och/eller brand.











Rekommenderad sladdansluten strömkälla

Bärbart strömpaket	PDC01
--------------------	-------

- De(n) sladdanslutna strömkällan/strömkällorna på listan ovan kanske inte finns tillgängliga i din region.
- Innan du använder den sladdanslutna strömkällan ska du läsa instruktionen och varningsmärkena på den.

Symboler

Följande visar symbolerna som kan användas för utrustningen. Se till att du förstår innebörden innan användning.

	Läs igenom bruksanvisningen.
	Använd skyddsglasögon och hörselskydd.
	Använd alltid två händer vid användning av verktyget.
	Se upp med bakåtkast och undvik kontakt med svärdets spets.
	Utsätt inte verktyget för fukt.
	Maximal tillåten kaplängd
	Kedjans rotationsriktning
	Gäller endast inom EU P.g.a. förekomsten av farliga komponenter i utrustningen kan avfall innehållande elektrisk och elektronisk utrustning, ackumulatorer och batterier ha negativ inverkan på miljön och människors hälsa. Kassera inte elektriska och elektroniska apparater eller batterier ihop med hushållsavfall! I enlighet med EU-direktiven om avfall som utgörs av eller innehåller elektrisk och elektronisk utrustning och om batterier och ackumulatorer och förbrukade batterier och ackumulatorer, och dess införlivande i nationell lagsättning, bör förbrukat elektrisk och elektronisk utrustning, batterier och ackumulatorer förvaras separat och transporteras till en särskild uppsamlingsplats för kommunalt avfall, som drivs i enlighet med regelverket för miljöskydd. Detta anges av symbolen med den överkryssade sportunnan på hjul som sitter på utrustningen.
	Garanterad ljudeffektivitet enligt EU-direktivet för utomhusbuller.
	Ljudeffektivitet enligt Australia NSW Noise Control Regulation (Bullerreglering)

Avsedd användning

Verktyget är avsett för att såga grenar på träd eller buskar med hjälp av en sågkedja.

Buller

Den normala bullernivån för A-belastning är bestämd enligt EN62841-4-1:

Ljudtrycksnivå (L_{pA}): 76 dB (A)

Ljudeffektivitet (L_{WA}): 87 dB (A)

Måttolerans (K): 3 dB (A)

OBS: Det deklarerade bullervärdet har uppmätts i enlighet med standardtestmetoden och kan användas för jämförandet av en maskin med en annan.

OBS: Det deklarerade bulleremissionsvärdet kan också användas i en preliminär bedömning av exponering för vibration.

⚠ VARNING: Använd hörselskydd.

⚠ VARNING: Bulleremissionen under faktisk användning av maskinen kan skilja sig från det deklarerade värdet, beroende på hur maskinen används och särskilt vilken typ av arbetsstycke som behandlas.

⚠ VARNING: Var noga med att identifiera säkerhetsåtgärder för att skydda användaren, vilka är grundade på en uppskattning av graden av exponering för vibrationer under de faktiska användningsförhållandena, (ta, förutom avtryckartiden, med alla delar av användarcykeln i beräkningen, som till exempel tiden då maskinen är avstängd och när den går på tomgång).

Vibration

Det totala vibrationsvärdet (treaxlad vektorsumma) bestämt enligt EN62841-4-1:

Arbetsläge: sågning i trä
Vibrationsemission ($a_{h,W}$): 4,6 m/s²
Måttolerans (K): 1,5 m/s²

OBS: Det deklarerade totala vibrationsvärdet har uppmätts i enlighet med standardtestmetoden och kan användas för jämförandet av en maskin med en annan.

OBS: Det deklarerade totala vibrationsvärdet kan också användas i en preliminär bedömning av exponering för vibration.

⚠ VARNING: Vibrationsemissionen under faktisk användning av maskinen kan skilja sig från det deklarerade värdet, beroende på hur maskinen används och särskilt vilken typ av arbetsstycke som behandlas.

⚠ VARNING: Var noga med att identifiera säkerhetsåtgärder för att skydda användaren, vilka är grundade på en uppskattning av graden av exponering för vibrationer under de faktiska användningsförhållandena, (ta, förutom avtryckartiden, med alla delar av användarcykeln i beräkningen, som till exempel tiden då maskinen är avstängd och när den går på tomgång).

Försäkran om överensstämmelse

Gäller endast inom EU

Försäkran om överensstämmelse ingår i bilaga A till denna bruksanvisning.

SÄKERHETSVARNINGAR

Allmänna säkerhetsvarningar för maskiner

⚠ VARNING Läs alla säkerhetsvarningar, instruktioner, illustrationer och specifikationer som medföljer detta elverktyg. Underlåtenhet att följa alla instruktioner nedan kan leda till ellstötar, brand och/eller allvariga personskador.

Spara alla varningar och instruktioner för framtida referens.

Termen "maskin" som anges i varningarna hänvisar till din eldrivna maskin (sladdansluten) eller batteridrivna maskin (sladdlös).

Allmänna säkerhetsvarningar för grensåg

- Håll alla kroppsdelar borta från sågkedjan när grensågen är i drift. Se till att sågkedjan inte vidrör någonting innan du startar grensågen.** Ett ögonblick av ouppmärksamhet medan du arbetar med grensågen kan leda till att den kommer i kontakt med dina kläder eller med kroppen.
- Håll alltid grensågen med en hand på det bakre handtaget och den andra handen på stödhandtaget.**
- Håll grensågen endast i de isolerade handtagen eftersom sågkedjan kan komma i kontakt med en dold elkabel.** Om sågkedjan kommer i kontakt med en strömförande ledning blir grensågens blottlagda metalldelar strömförande och kan ge operatören en elektrisk stöt.
- Använd ögonskydd. Ytterligare skyddsutrustning i form av hörselskydd samt för huvud, händer, ben och fötter rekommenderas.** Passande utrustning minskar risken för personskador från flygande materialrester eller oavsiktlig kontakt med sågkedjan.
- Arbeta inte med grensågen i ett träd, på en stege, på ett tak eller något annat ostadigt underlag.** Att arbeta med en grensåg på det sättet kan leda till allvarig personskada.
- Stå alltid stadigt och arbeta endast med grensågen när du står på ett fast, säkert och plant underlag.** Hala eller instabila ytor kan göra att du tappar balansen eller kontrollen över grensågen.
- Var uppmärksam vid sågning av en gren som är spänd eftersom den kan fjädra tillbaka.** När spänningen i träfibren släpper kan den spända grenen slå tillbaka mot användaren och/eller slå grensågen ur händerna.
- Var mycket försiktig vid sågning av buskar och unga träd.** Det fina materialet kan fånga sågkedjan och piskas emot dig eller få dig ur balans.
- Bär grensågen med grensågen avstängd och borta från kroppen. Vid transport eller förvaring av grensågen ska alltid svärdskyddet sitta på.** Korrekt hantering av grensågen minskar risken för oavsiktlig kontakt med sågkedjan när den är i rörelse.

- Följ instruktionerna för smörjning, kedjesträckning och utbyte av svärdet och kedjan.** Felaktig sträckning eller kedjesmörjning kan antingen få kedjan att gå av eller öka risken för bakåtkast.
- Såga endast i trä. Använd endast grensågen för det ändamål den är avsedd för. Använd till exempel inte grensågen för sågning i metall, plast, murverk eller annat byggmaterial som inte är av trä.** Användning av grensågen för annat ändamål än vad den är avsedd för kan leda till att en farlig situation uppstår.
- Denna grensåg är inte avsedd för trädfällning.** Användning av grensågen för annat ändamål än vad den är avsedd för kan leda till allvariga personskador på användaren eller åskådare.
- Följ alla instruktioner när du tar bort material som fastnat, tar grensågen i förvar eller servar den. Säkerställ att strömbrytaren är avstängd samt att batteripaketet är avlägsnad.**
- Orsaker till och förebyggande av bakåtkast:**

Bakåtkast kan uppstå när nosen eller spetsen på svärdet kommer i kontakt med ett objekt, eller när träet kniper tag i och låser fast kedjesågen i skåret.

Kontakt med spetsen kan i vissa fall orsaka en plötslig motsatt reaktion där svärdet slås uppåt och bakåt mot användaren.

Fastlåsnings av sågkedjan längs spetsen på svärdet kan snabbt trycka svärdet bakåt mot användaren.

Endera av dessa reaktioner kan göra att du tappar kontrollen över sågen vilket kan resultera i allvariga personskador. Lita inte uteslutande på de inbyggda säkerhetsanordningarna i din såg. Som en grensågsanvändare ska du vidta försiktighetsåtgärder så att inte olyckor eller skador uppstår under sågarbetet.

Bakåtkast beror på ovarsamhet med grensågen och/eller felaktiga arbetsrutiner eller -förhållanden och kan undvikas genom att vidta korrekta nedanstående försiktighetsåtgärder:

 - Upprätthåll ett stadigt grepp med tummar och fingrar runt grensågens handtag, med båda händerna på sågen och i en position där din kropp och dina armar kan undvika styrkan av ett eventuellt bakåtkast.** Användaren kan kontrollera krafterna i ett bakåtkast om lämpliga försiktighetsåtgärder vidtas. Släpp inte grensågen.

► Fig. 1

- Sträck dig inte för långt och såga inte över axelhöjd.** Detta förhindrar oavsiktlig kontakt med spetsen och ger bättre kontroll över grensågen i oväntade situationer.
- Använd endast sådana reservsvärd och reservsågkedjor som specificerats av tillverkaren.** Felaktiga reservsvärd och reservsågkedjor kan orsaka att kedjan går av och/eller bakåtkast.
- Följ tillverkarens instruktioner för slipning och underhåll av sågkedjan.** Minskning av höjden på underställningsklacken kan leda till ökad risk för bakåtkast.

15. Följ alla instruktioner när du tar bort material som fastnat, tar grensågen i förvar eller servar den. Säkerställ att strömbrytaren är avstängd samt att batteripaketet är avlägsnad.

Ytterligare säkerhetsinstruktioner

Personlig skyddsutrustning

1. Använd åtsittande kläder som inte begränsar rörligheten.
2. Följande skyddskläder är lämpliga under arbete:
 - Godkänd skyddshjälm som skydd mot nedfallande grenar o dyl.
 - Visir eller skyddsglasögon.
 - Hörselskydd (hörselkåpor eller öronproppar). Frekvensanalys kan erhållas på begäran.
 - Kraftiga skyddshandskar.
 - Långbyxor i kraftigt tyg.
 - Överdragskläder med.
 - Säkerhetsskor eller stövlar med halkfria sulor, stålhätta och.
 - Ansiktsmask när arbetet genererar damm (t ex sågning i torr trä).

Användning

1. **Kontrollera att verktyget är i gott skick och uppfyller säkerhetsföreskrifterna innan arbetet påbörjas. Kontrollera i synnerhet att:**
 - Tröghetsbromsen fungerar.
 - Svärdet och kedjedrevskåpan är rätt monterade.
 - Kedjan är filad och spänd i enlighet med anvisningarna.
2. **Starta inte verktyget när kedjeskyddet sitter på det.** Att starta verktyget med kedjeskyddet monterat kan leda till att kedjeskyddet kastas framåt vilket resulterar i personskada och skada på föremål runt omkring användaren.
3. **Stå inte direkt under grenen som sågas. Var uppmärksam på fallande grenar.**
4. **Använd inte verktyget i dåligt väder eller när det finns risk för åska.**
5. **Var uppmärksam på var du har fötterna när du använder verktyget på lerig mark, i våta sluttningar eller hala ställen.**

El- och battersäkerhet

1. **Undvik farliga miljöer. Använd inte verktyget på fuktiga eller blöta områden, eller utsätt den för regn.** Vatten som kommer in i verktyget ökar risken för elektrisk stöt.
2. **Släng inte batteriet/batterierna i öppen eld.** Cellen kan explodera. Kontrollera de lokala reglerna för att se eventuell särskild avfallshantering.
3. **Öppna inte eller förstör batteriet/batterierna.** Elektrolyt som kommer ut är frätande och kan ge ögon- eller hudskador. Det kan vara giftigt vid förtäring.
4. **Ladda inte batteriet i regn eller i fuktiga eller våta utrymmen.**
5. **Ladda inte batteriet utomhus.**
6. **Hantera inte laddaren, däribland laddarstickproppen, och laddarens kopplingar med våta händer.**

7. **Byt inte ut batteriet med våta händer.**
8. **Batteriet får inte lämnas i regn, och inte heller laddas, användas eller lagras på ett fuktigt eller vått ställe.**
9. **Låt inte batteripolen bli blöt av vätska som t.ex. vatten, och sänk inte ned batteriet i vätska.** Om polen blir våt eller vätska kommer in i batteriet, kan det kortslutas och det finns risk för överhettning, brand eller explosion.
10. **När batteriet tagits bort från maskinen eller laddaren ska du se till att fästa batterikåpan vid batteriet och förvara det på en torr plats.**
11. **Om batterikassetten blir våt, töm ut vattnet inuti den och torka sedan av den med en torr trasa. Låt batterikassetten torka helt på en torr plats före användning.**

SPARA DESSA ANVISNINGAR.

⚠️ VARNING: GLÖM INTE att också fortsättningsvis strikt följa säkerhetsanvisningarna för maskinen även efter att du blivit van att använda den. Vid **FELAKTIG HANTERING** av maskinen eller om inte säkerhetsanvisningarna i denna bruksanvisning följs kan följden bli allvarliga personskador.

Viktiga säkerhetsanvisningar för batterikassetten

1. **Innan batterikassetten används ska alla instruktioner och varningsmärken på (1) batteriladdaren, (2) batteriet och (3) produkten läsas.**
2. **Montera inte isär eller mixtra med batterikassetten.** Det kan leda till brand, överdriven värme eller explosion.
3. **Om drifttiden blivit avsevärt kortare ska användningen avbrytas omedelbart. Det kan uppstå överhettning, brännskador och t o m en explosion.**
4. **Om du får elektrolyt i ögonen ska de sköljas med rent vatten och läkare uppsöks omedelbart. Det finns risk för att synen förloras.**
5. **Kortslut inte batterikassetten.**
 - (1) Rör inte vid polerna med något strömförande material.
 - (2) Undvik att förvara batterikassetten tillsammans med andra metallobjekt som t.ex. spikar, mynt o.s.v.
 - (3) Skydda batteriet mot vatten och regn. En batterikortslutning kan orsaka ett stort strömfölo, överhettning, brand och maskin haveri.
6. **Förvara och använd inte verktyget och batterikassetten på platser där temperaturen kan nå eller överstiga 50 °C.**
7. **Bränn inte upp batterikassetten även om den är svårt skadad eller helt utsliten. Batterikassetten kan explodera i öppen eld.**
8. **Spika inte i, krossa, kasta, tappa eller slå batterikassetten mot hårda föremål.** Dylka handlingar kan leda till brand, överdriven värme eller explosion.

9. **Använd inte ett skadat batteri.**
10. **De medföljande litiumjonbatterierna är föremål för kraven i gällande lagstiftning för farligt gods.**
För kommersiella transporter (av t.ex. tredje parter som speditorsfirmor) måste de särskilda transportkrav som anges på emballaget och etiketter iakttagas.
För att förbereda den produkt som ska avsändas krävs att du konsulterar en expert på riskmaterial. Var också uppmärksam på att det i ditt land kan finnas ytterligare föreskrifter att följa.
Tejpa över eller maskera blottade kontakter och packa batteriet på sådant sätt att det inte kan röra sig fritt i förpackningen.
11. **När batterikassetten ska kasseras måste den tas bort från maskinen och kasseras på ett säkert sätt. Följ lokala föreskrifter beträffande avfallshandling av batteriet.**
12. **Använd endast batterierna med de produkter som specificerats av Makita.** Att använda batterierna med ej godkända produkter kan leda till brand, överdriven värme, explosion eller utläckande elektrolyt.
13. **Om maskinen inte används under en lång tid måste batteriet tas bort från maskinen.**
14. **Under och efter användning kan batterikassetten bli het vilket kan orsaka brännskador eller lättare brännskador. Var uppmärksam på hur du hanterar varma batterikassetter.**
15. **Vidrör inte verktygets kontakter direkt efter användning eftersom de kan bli heta och orsaka brännskador.**
16. **Låt inte flisor, damm eller smuts fastna i kontakterna, i håll eller spår i batterikassetten.** Det kan leda till att verktyget eller batterikassetten värms upp, fattar eld, går sönder eller inte fungerar som de ska, vilket kan orsaka brännskador eller personskadorna.
17. **Såvida inte verktyget stöder arbeten i närheten av högspänningsledning får batterikassetten inte användas i närheten av en högspänningsledning.** Det kan leda till att verktyget eller batterikassetten går sönder eller inte fungerar korrekt.
18. **Förvara batteriet utom räckhåll för barn.**

SPARA DESSA ANVISNINGAR.

⚠ FÖRSIKTIGT: Använda endast äkta Makita-batterier. Användning av oäkta Makita-batterier eller batterier som har manipulerats kan leda till person- och utrustningsskador eller till att batteriet fattar eld. Det upphäver också Makitas garanti för verktyget och laddaren.

Tips för att uppnå batteriets maximala livslängd

1. **Ladda batterikassetten innan den är helt urladdad. Stanna alltid maskinen och ladda batterikassetten när du märker att maskinen blir svagare.**
2. **Ladda aldrig en fulladdad batterikasset. Överladdning förkortar batteriets livslängd.**
3. **Ladda batterikassetten vid en rumstemperatur på 10 °C - 40 °C. Låt en varm batterikasset svalna innan den laddas.**
4. **När batterikassetten inte används ska den tas bort från verktyget eller laddaren.**
5. **Ladda batterikassetten om du inte har använt den på länge (mer än sex månader).**

BESKRIVNING AV DELAR

► Fig.2

1	Stödhandtag	2	Säkerhetskydd	3	Sågkedja
4	Svärd	5	Oljetanklock	6	Svärdskydd
7	Kedjedrevskåpa	8	Säkerhetsspärr	9	Bakre handtag
10	Avtryckare	11	Spärr	12	Batterikasset

FUNKTIONSBESKRIVNING

⚠ FÖRSIKTIGT: Se alltid till att maskinen är avstängd och batterikassetten borttagen innan du justerar maskinen eller kontrollerar dess funktioner.

Montera eller demontera batterikassetten

⚠ FÖRSIKTIGT: Stäng alltid av maskinen innan du monterar eller tar bort batterikassetten.

⚠ FÖRSIKTIGT: Håll stadigt i maskinen och batterikassetten när du monterar eller tar bort batterikassetten. I annat fall kan det leda till att de glider ur dina händer och orsakar skada på maskinen och batterikassetten samt personskada.

► **Fig. 3:** 1. Röd indikator 2. Knapp 3. Batterikassett

Ta bort batterikassetten genom att skjuta ner knappen på kassetterns framsida samtidigt som du drar ut batterikassetten.

Sätt i batterikassetten genom att rikta in tungan på batterikassetten mot spåret i höljet och skjut den på plats. Tryck in batterikassetten ordentligt tills den låser fast med ett klick. Om du kan se den röda indikatorn som bilden visar är den inte låst ordentligt.

⚠ FÖRSIKTIGT: Sätt alltid i batterikassetten helt tills den röda indikatorn inte längre syns. I annat fall kan den oväntat falla ur verktyget och skada dig eller någon annan.

⚠ FÖRSIKTIGT: Montera inte batterikassetten med våld. Om kassetten inte lätt glider på plats är den felinsatt.

Indikerar kvarvarande batterikapacitet

Endast för batterikassetter med indikator

► **Fig. 4:** 1. Indikatorlampor 2. Kontrollknapp

Tryck på kontrollknappen på batterikassetten för att se kvarvarande batterikapacitet. Indikatorlamporna lyser i ett par sekunder.

Indikatorlampor			Kvarvarande kapacitet
Upplyst	Av	Blinkar	
■	□	◐	75% till 100%
■	■	■	
■	■	□	50% till 75%
■	□	□	25% till 50%
■	□	□	0% till 25%
◐	□	□	Ladda batteriet.
■	■	□	Batteriet kan ha skadats.
□	□	■	

OBS: Beroende på användningsförhållanden och den omgivande temperaturen kan indikationen skilja sig lätt från den faktiska batterikapaciteten.

OBS: Den första (längst till vänster) indikatorlampor kommer att blinka när batteriskyddssystemet fungerar.

Skyddssystem för maskinen/batteriet

Verktyget är utrustat med ett skyddssystem för verktyget/batteriet. Detta system bryter automatiskt strömmen till motorn för att förlänga verktygets och batteriets livslängd. Verktyget stoppar automatiskt under användningen om verktyget eller batteriet hamnar i en av följande situationer:

Överbelastningsskydd

Om verktyget eller batteriet används på ett sätt som gör att det drar onormalt mycket ström kan verktyget stoppa automatiskt. När detta sker stänger du av verktyget och upphör med arbetet som gjorde att det överbelastades. Starta därefter upp verktyget igen.

Överhettningsskydd

När verktyget eller batteriet överhettas stoppas verktyget automatiskt. I sådant fall ska du låta verktyget och batteriet svalna innan verktyget sätts på igen.

Överurladdningsskydd

När batteriets kapacitet är otillräcklig stoppar maskinen automatiskt. I sådant fall ska batteriet tas ur maskinen och laddas.

Avtryckarens funktion

⚠ WARNING: Detta verktyg är utrustat med en säkerhetsspärr som förhindrar oavsiktlig start. Använd ALDRIG maskinen om den startar när du trycker på avtryckaren utan att ha tryckt in säkerhetsspärren. Returnera verktyget till ett auktoriserat servicecenter för reparation INNAN du fortsätter att använda det.

⚠ WARNING: Sätt ALDRIG säkerhetsspärren ur funktion genom att t.ex. tejpa över den.

⚠ FÖRSIKTIGT: Innan du sätter i batterikassetten i maskinen ska du kontrollera att avtryckaren fungerar och återgår till läget "OFF" när du släpper den.

OBSERVERA: Tryck inte in avtryckaren utan att ha tryckt in säkerhetsspärren. Det kan skada avtryckaren.

Det finns en säkerhetsspärr som förhindrar att avtryckaren oavsiktligt trycks in. Starta verktyget genom att först trycka in säkerhetsspärren och sedan avtryckaren. Släpp avtryckaren för att stoppa verktyget.

► **Fig. 5:** 1. Avtryckare 2. Säkerhetsspärr

Kontroll av tröghetsbroms

⚠ FÖRSIKTIGT: Om sågkedjan inte stannar inom några sekunder i detta test, sluta använda verktyget och kontakta vårt auktoriserade servicecenter.

Kör verktyget och släpp därefter avtryckaren helt. Sågkedjan måste stanna helt inom några sekunder.

MONTERING

⚠ FÖRSIKTIGT: Se alltid till att maskinen är avstängd och batterikassetten borttagen innan du underhåller maskinen.

⚠ FÖRSIKTIGT: Rör inte vid sågkedjan med bara händer. Bär alltid handskar när du hanterar sågkedjan.

Ta bort eller montera sågkedjan

⚠ FÖRSIKTIGT: Sågkedjan och svärdet är fortfarande varma direkt efter användning. Låt dem svalna tillräckligt innan du utför något arbete på maskinen.

⚠ FÖRSIKTIGT: Montera eller ta bort kedjan på en ren plats fri från sågdamm och liknande.

Ta bort sågkedjan

Utför följande steg för att ta bort sågkedjan:

1. Dra upp spaken.
▶ **Fig.6:** 1. Spärr
2. Vrid spaken moturs tills kedjedrevskåpan kan tas av.
▶ **Fig.7:** 1. Kedjedrevskåpa 2. Spärr
3. Ta bort kedjedrevskåpan och ta därefter bort sågkedjan och svärdet från verktygskroppen.

Montera sågkedjan

Utför följande steg för att montera sågkedjan:

1. Dra upp spaken.
▶ **Fig.8:** 1. Spärr
2. Vrid spaken moturs tills kedjedrevskåpan kan tas av.
▶ **Fig.9:** 1. Spärr 2. Kedjedrevskåpa
3. Ta bort kedjedrevskåpan.
4. Rikta in hålet på svärdet med stiftet på verktygskroppen och placera sedan svärdet enligt figuren.
▶ **Fig.10:** 1. Svärd 2. Hål 3. Stift
5. Skjut svärdet mot kedjehjulet för att låsa stiftet.
▶ **Fig.11:** 1. Svärd 2. Stift
6. Ta bort svärdet från verktygskroppen.
7. Kontrollera riktningen på sågkedjan. Ställ in sågkedjans riktning med markeringen på verktygskroppen.
▶ **Fig.12:** 1. Markering på verktygskropp

8. Passa in ena änden av sågkedjan på toppen av svärdet.

9. Passa in den andra änden av sågkedjan runt kedjehjulet och fäst sedan svärdet till verktygskroppen så att hålet på svärdet är inriktat med stiftet på kroppen.
▶ **Fig.13:** 1. Kedjehjul

Tryck svärdet mot verktygskroppen för att frigöra stiftet. Sågkedjans sträckning justeras automatiskt.

▶ **Fig.14:** 1. Sågkedja 2. Stift 3. Kedjehjul

10. Placera kedjedrevskåpan så att bulten och stiftet på verktygskroppen passar in med motsvarande delar på kedjedrevskåpan.

▶ **Fig.15:** 1. Kedjedrevskåpa 2. Bult 3. Stift

11. Vrid spaken medurs tills kedjedrevskåpan sitter säkert och för den därefter till dess ursprungliga läge.

▶ **Fig.16:** 1. Spärr 2. Kedjedrevskåpa

Se till att sågkedjan inte lossnar och att den smidigt kan röras bakåt och framåt. Justera vid behov sågkedjans sträckning enligt avsnittet om justering av sågkedjans sträckning.

Justering av kedjesträckning

⚠ FÖRSIKTIGT: En kedja som är för lös kan hoppa ur sitt spår och orsaka personskada eller en olycka.

Kedjan kan förlora sin sträckning efter ett antal timmars användning. Kontrollera därför emellanåt kedjesträckningen innan du använder kedjesågen.

Justera sågkedjans sträckning om den är för lös.

1. Dra upp spaken.
▶ **Fig.17:** 1. Spärr
2. Vrid spaken lite moturs för att lossa kedjedrevskåpan något. Kedjesträckningen justeras automatiskt.
▶ **Fig.18:** 1. Kedjedrevskåpa 2. Spärr
3. Vrid spaken medurs tills kedjedrevskåpan sitter säkert och för den därefter till dess ursprungliga läge.
▶ **Fig.19:** 1. Spärr 2. Kedjedrevskåpa

ANVÄNDNING

Smörjning

⚠ FÖRSIKTIGT: Arbeta inte med verktyget när tanken är tom. Fyll på olja i god tid innan tanken är tom.

⚠ FÖRSIKTIGT: Låt inte oljan komma i kontakt med hud och ögon. Kontakt med ögonen orsakar irritation. Skölj omedelbart med rent vatten och kontakta läkare om du får olja i ögonen.

⚠ FÖRSIKTIGT: Använd aldrig gammal olja. Redan använda oljor innehåller cancerframkallande ämnen. Föroreningarna i använda oljor medför ökad förorening i oljepump, svärd och kedja. Gammal olja är skadlig för miljön.

OBSERVERA: När verktyget används för första gången kan det ta upp till två minuter innan sågkedjeoljan börjar smörja sågmekanismen. Kör sågen utan belastning tills detta sker.

OBSERVERA: När du fyller på kedjeolja för första gången, eller om du fyller på olja när tanken blivit helt tom, ska du fylla på olja upp till kragen på påfyllningshälet. Oljefördelningen kan annars försämrans.

OBSERVERA: Använd endast en sågkedjeolja som är avsedd för Makitas verktyg eller motsvarande som finns tillgänglig i handeln.

OBSERVERA: Använd aldrig olja som innehåller damm och partiklar eller flyktig olja.

OBSERVERA: Använd botanisk olja vid beskärning av träd. Mineralolja kan skada träden.

OBSERVERA: Innan du börjar såga, kontrollera att det medföljande oljetankslocket är fastskruvat på plats.

Sågkedjan blir automatiskt smord när maskinen är i användning. Kontrollera regelbundet återstående mängd olja i oljetanken genom inspektionsfönstret för olja.

► **Fig.20:** 1. Inspektionsfönster för olja 2. Oljetanklock

Utför följande steg för att fylla på olja:

1. Rengör noggrant området runt oljetanklocket för att förhindra att smuts kommer in i oljetanken.
 2. Lägg verktyget på sidan.
 3. Tryck ned knappen på oljetanklocket så att knappen på andra sidan sticker ut, och ta bort oljetanklocket genom att vrida det.
- **Fig.21:** 1. Oljetanklock 2. Dra åt 3. Lossa
4. Fyll oljetanken med olja. Korrekt mängd olja är 55 ml.
 5. Skruva på tanklocket ordentligt igen.
 6. Torka omsorgsfullt bort eventuell utspild olja.

OBS: Om det är svårt att ta bort oljetanklocket ska du sätta in spetsen av en spårskruvmejseln i skåran på oljetanklocket och sedan ta av oljetanklocket genom att vrida den moturs.

► **Fig.22:** 1. Skåra 2. Spårskruvmejsel

Håll bort verktyget från materialet som sågas efter påfyllning. Starta det och vänta tills smörjningen av sågkedjan är tillräcklig.

► **Fig.23**

Arbeta med verktyget

⚠FÖRSIKTIGT: Håll bort sågkedjan från alla delar av kroppen när verktyget är igång.

⚠FÖRSIKTIGT: Håll i verktyget ordentligt med båda händerna när verktyget är igång.

⚠FÖRSIKTIGT: Översträck inte. Stå alltid stabilt och ha god balans hela tiden.

OBSERVERA: Kasta eller tappa inte verktyget.

OBSERVERA: Täck inte över verktygets ventilationshål.

Innan du startar verktyget, bringa nederdelen av svärdet och stöddelen av verktygskroppen i kontakt med grenen som ska sågas enligt figuren. När grenen är i kontakt med verktyget och svärdet startar du verktyget och sågar grenen genom att föra verktyget nedåt längs grenen.

► **Fig.24**

⚠FÖRSIKTIGT: Se före sågningen till att grenen som ska sågas är i kontakt med nederdelen av svärdet och stöddelen av verktygskroppen. Annars kan verktyget dras framåt mot spetsen på svärdet och svärdet kan kränga vilket kan leda till en personskada.

Bära maskinen

Avlägsna alltid batterikassetten från verktyget innan du bär verktyget. Sätt sedan dit svärdskyddet. Täck också batterikassetten med batterikåpan.

► **Fig.25:** 1. Svärdskydd 2. Batterikåpa

UNDERHÅLL

⚠FÖRSIKTIGT: Se alltid till att maskinen är avstängd och batterikassetten borttagen innan inspektion eller underhåll utförs.

⚠FÖRSIKTIGT: Använd alltid handskar vid kontroller och underhåll.

OBSERVERA: Använd inte bensin, förtunningsmedel, alkohol eller liknande. Missfärgning, deformation eller sprickor kan uppstå.

För att upprätthålla produktens SÄKERHET och TILLFÖRLITLIGHET bör allt underhålls- och justeringsarbete utföras av ett auktoriserat Makita servicecenter och med reservdelar från Makita.

Filning av sågkedja

Fila kedjan när:

- Du får spåndamm när du sågar i fuktigt trä.
- Kedjan har svårt att såga trots att du trycker hårt med sågen.
- Skärtänderna är synbart skadade.
- Sågen drar åt vänster eller höger i träet (Orsakas av att filningen av sågkedjan har blivit ojämn eller skadad på någon av sidorna.)

Fila sågkedjan lite men ofta. Två eller tre drag med filen är oftast tillräckligt vid rutinmässig filning. Lämna sågkedjan för filning hos vårt auktoriserade servicecenter när du har filat om den många gånger.

Filningskriterier:

⚠ VARNING: Ett överdrivet avstånd mellan skärret och djupmätaren ökar risken för bakåtkast.

- **Fig.26:** 1. Såglängd 2. Avstånd mellan skärlängd och djupmätaren 3. Minsta skärlängd (3 mm)
- Alla skärtänder måste vara lika långa. Olika längd på skärtänderna förhindrar att kedjesågen går jämnt och kan leda till kedjebrott.
 - Slipa inte en kedja vars skärtänder har en längd som är 3 mm eller mindre. Kedjan måste bytas mot en ny.
 - Spåntjockleken bestäms av avståndet mellan underställningsklacken (rund nos) och skärtanden.
 - Det bästa sågresultatet uppnås med följande höjdskillnad mellan skärtand och underställningsklack.
 - Kedjeblad 80TXL: 0,65 mm
- **Fig.27**
- Filningsvinkeln ska vara 30° och måste vara densamma för alla skärtänder. Skillnader i vinkel får kedjan att löpa ryckigt och ojämnt, slitaget ökar och det leder till kedjebrott på kedjan.
 - Använd en lämplig rundfil så att korrekt vinkel hålls på tänderna.
 - Kedjeblad 80TXL: 55°

Fil och filningsanvisningar

- Fila kedjan med en specialrundfil (valfritt tillbehör) för sågkedjor. Använd inte standard rundfilar.
- Diametern för rundfilen för varje sågkedja är följande:
 - Kedjeblad 80TXL: 4,0 mm
- Fila endast med skjutande tag. Lyft filen från skärtanden när du för filen bakåt.
- Fila den kortaste skärtanden först. Längden för den kortaste skärtanden blir standard för alla andra skärtänder på sågkedjan.
- För filen på det sätt som framgår av figuren.

► **Fig.28:** 1. Fil 2. Sågkedja

- Det går lättare att fila om en filmall (tillbehör) används. Filmallen har markeringar för rätt filningsvinkel 30° (rikta in markeringarna parallellt med sågkedjan), och begränsar filningsdjupet (till 4/5 av fildiametern).

► **Fig.29:** 1. Filhållare

- Kontrollera höjden på underställningsklacken med hjälp av specialverktyget (tillbehör) när kedjan är färdigfilad.

► **Fig.30**

- Ta bort eventuellt utskjutande material, avsett hur litet, med en speciell plattfil (tillbehör).
- Runda av främre delen av underställningsklacken igen.

Rengöring av svärdet

Spån och damm kommer att sätta igen spåret i svärdet. De kan sätta igen spåret i svärdet och försämma oljeflödet. Rensa bort spån och damm varje gång när sågkedjan slipas eller byts ut.

► **Fig.31**

Rengöra kedjedrevskåpan

Spån och damm ackumuleras inne i kedjedrevskåpan. Ta bort kedjedrevskåpan och sågkedjan från verktyget och gör rent från spån och damm.

► **Fig.32**

Rengöring av oljematningshålet

Fint damm eller små partiklar kan byggas upp i oljematningshålet under användning. Detta damm eller små partiklar kan försämma flödet av oljematningen och orsaka otillräcklig smörjning av hela sågkedjan. När oljematningsflödet försämmas på svärdspetsen ska oljematningshålet rengöras på följande sätt.

1. Ta bort kedjedrevskåpan och sågkedjan från maskinen.
2. Ta bort fint damm eller små partiklar med en spårskruvmejsel eller liknande.

► **Fig.33:** 1. Spårskruvmejsel 2. Oljematningshål

3. Sätt i batterikassetten i maskinen. Tryck in avtryckaren för att få bort damm eller partiklar som satt igen oljematningshålet genom att släppa ut kedjeolja.
4. Ta bort batterikassetten från verktyget. Sätt tillbaka kedjedrevskåpan, sågkedjan och svärdet på verktyget.

Utbyte av kedjehjulet

⚠ FÖRSIKTIGT: Ett slitet kedjehjul förorsakar skador på sågkedjan. Byt ut kedjehjulet om det är slitet.

Kontrollera konditionen på kedjehjulet innan en ny kedja monteras.

► **Fig.34:** 1. Kedjehjul 2. Slitna områden

Montera alltid en ny låsring samtidigt som du byter kedjehjul.

► **Fig.35:** 1. Låsring 2. Kedjehjul

OBSERVERA: Se till att kedjehjulet är installerat enligt figuren.

Förvara verktyget

1. Rengör maskinen innan förvaring. Ta bort spån och sågdamm från maskinen efter att kedjedrevskåpan är borttagen.
2. Kör maskinen utan belastning för att smörja sågkedjan och svärdet efter rengöringen.
3. Täck över svärdet med svärdskyddet.
4. Töm oljetanken.

Instruktioner för periodiskt underhåll

För att garantera lång livslängd, förebygga skador och säkerställa att säkerhetsfunktionerna fungerar måste följande underhåll utföras regelbundet. Garanti lämnas endast om dessa arbeten utförs regelbundet och på föreskrivet sätt. Om det föreskrivna underhållsarbetet inte utförs kan allvariga olyckor uppstå! Användaren av verktyget ska inte utföra underhållsarbeten som inte finns beskrivna i bruksanvisningen. Alla sådana arbeten ska utföras av ett auktoriserat servicecenter.

Kontrollera föremålet/ drifttiden	Före användning	Varje dag	Varje vecka	Var tredje månad	Varje år	Innan förvaring
Hela verktyget	Inspektion.	✓	-	-	-	-
	Rengöring.	-	✓	-	-	-
	Kontakta ett auktoriserat servicecenter.	-	-	-	✓	✓
Sågkedja	Inspektion.	✓	-	-	-	-
	Slipning vid behov.	-	-	-	-	✓
Svärd	Inspektion.	✓	✓	-	-	-
	Ta bort från verktyget.	-	-	-	-	✓
Kedjesmörjning	Kontrollera oljemätningshastigheten.	✓	-	-	-	-
Avtryckare	Inspektion.	✓	-	-	-	-
Säkerhetsspår	Inspektion.	✓	-	-	-	-
Oljetanklock	Kontrollera stramhet.	✓	-	-	-	-
Skrubar och muttrar	Inspektion.	-	-	✓	-	-

FELSÖKNING

Innan du ber om reparation ska du först utföra en egen kontroll. Om du hittar ett problem som inte finns förklarat i bruksanvisningen ska du inte försöka att ta isär maskinen. Fråga istället ett auktoriserad servicecenter för Makita, och använd alltid reservdelar från Makita för reparationer.

Felstatus	Orsak	Åtgärd
Verktyget startar inte.	Batterikassetten är inte installerad.	Sätt in en laddad batterikasset.
	Batteriproblem (låg spänning).	Ladda upp batterikassetten. Om uppladdningen inte hjälper, byt ut batterikassetten.
Motorn stannar efter en kort stunds användning.	Batterinivån är låg.	Ladda upp batterikassetten. Om uppladdningen inte hjälper, byt ut batterikassetten.
Ingen olja på kedjan.	Oljetanken är tom.	Fyll på oljetanken.
	oljekanalerna är smutsiga.	Gör rent spåren.
Verktyget når inte det maximala varvtalet.	Batterikassetten är felaktigt insatt.	Sätt dit batterikassetten enligt anvisningarna i denna bruksanvisning.
	Batterinivån sjunker.	Ladda upp batterikassetten. Om laddning inte hjälper byter du ut batterikassetten.
	Drivsystemet fungerar inte som det ska.	Fråga ett auktoriserat servicecenter i din region avseende reparation.
Onormal vibration: Stoppa verktyget omedelbart!	Lossa svärdet eller kedjesågen.	Justera svärdet och kedjespänningen.
	Verktygsfel.	Fråga ett auktoriserat servicecenter i din region avseende reparation.
Sågkedjan kan inte monteras.	Kombinationen av sågkedja och kedjedrev är inte korrekt.	Använd den rätta kombinationen av sågkedja och kedjedrev med hjälp av avsnittet med specifikationer.

VALFRIA TILLBEHÖR

⚠ FÖRSIKTIGT: Följande tillbehör eller tillsatser rekommenderas för användning med den Makita-maskin som denna bruksanvisning avser. Om andra tillbehör eller tillsatser används kan det uppstå risk för personskador. Använd endast tillbehören eller tillsatserna för de syften de är avsedda för.

Kontakta ditt lokala Makita servicecenter om du behöver ytterligare information om dessa tillbehör.

- Sågkedja
- Svärd
- Svärdskydd
- Fil
- Verktygsväska
- Makitas originalbatteri och laddare

OBS: Några av tillbehören i listan kan vara inkluderade i maskinpaketet som standardtillbehör. De kan variera mellan olika länder.

TEKNISKE DATA

Modell:		DUC101
Samlet lengde (uten sverd og batteri)		357 mm
Nominell spenning		DC 18 V
Nettovekt	*1	1,1 kg
	*2	1,6 - 2,0 kg
Standard sverdlengde		100 mm
Anbefalt sverdlengde		100 mm
Egnet sagkjedetype (se tabellen nedenfor)		80TXL
Kjedehjul	Antall tenner	7
	Vinkel	0,325"
Kjedehastighet		0 - 8,0 m/s (0 - 480 m/min)
Volum kjedeoljetank		55 cm ³

- På grunn av vårt kontinuerlige forsknings- og utviklingsprogram kan spesifikasjonene som oppgis i dette dokumentet endres uten varsel.

- Spesifikasjonene kan variere fra land til land.

*1: Vekt, uten sagkjedet, sverdet, sverddekselet, olje og batteri(er).

*2: Den letteste og tyngste vektkombinasjonen i henhold til EPTA-prosedyre 01/2014. Vekten kan variere avhengig av tilbehøret/tilbehørene, inkludert batteriet/batteriene.

Kombinasjonen sagkjede, sverd og kjedehjul

Sagkjedetype		80TXL
Antall drivkjeder		26
Sverd	Sverdlengde	100 mm
	Skjærelengde	111 mm
	Vinkel	0,325"
	Måleinnetning	1,1 mm
	Type	Hard frontstang
Kjedehjul	Antall tenner	7
	Vinkel	0,325"

⚠ ADVARSEL: Bruk riktig kombinasjon av sverd og sagkjede. Ellers kan det medføre alvorlige personskader.

Passende batteri og lader

Batteriinnsett	BL1815N / BL1820B / BL1830B / BL1840B / BL1850B / BL1860B
Lader	DC18RC / DC18RD / DC18RE / DC18SD / DC18SE / DC18SF / DC18SH / DC18WC

- Noen av batteriene og laderne som er opplistet ovenfor er kanskje ikke tilgjengelige, avhengig av hvor du bor.

⚠ ADVARSEL: Bruk kun de batteriene og laderne som er opplistet ovenfor. Bruk av andre batterier og ladere kan føre til personskader og/eller brann.

Anbefalt ledning koblet til strømkilde

Bærbær lader	PDC01
--------------	-------

- De(n) ledningstilkoblede strømkilden(e) som er oppgitt ovenfor er kanskje ikke tilgjengelige, avhengig av hvor du bor.
- Før du bruker de ledningstilkoblede strømkildene, må du lese instruksjons- og forsiktighetsskilt på dem.

Symboler

Nedenfor ser du symbolene som kan brukes for dette utstyret. Forviss deg om at du forstår hva de betyr, før du begynner å bruke maskinen.



Les bruksanvisningen.



Bruk vernebriller og hørselsvern.



Du må alltid bruke begge hender når du bruker verktøyet.



Vær oppmerksom på tilbakeslag, og unngå kontakt med stangspissen.



Må ikke utsettes for fuktighet.



Maksimalt tillatt skjærelengde



Kjedets rotasjonsretning



Kun for EU-land
På grunn av forekomst av farlige komponenter i utstyret, kan avfall fra elektrisk og elektronisk utstyr, akkumulatører og batterier ha en negativ innvirkning på miljøet og menneskers helse.

Ikke kast elektriske og elektroniske apparater eller batterier sammen med husholdningsavfall!

I samsvar med det europeiske direktivet om avfall fra elektrisk og elektronisk utstyr og om akkumulatører og batterier samt akkumulatører og batterier som skal kastes, samt deres tilpasning til nasjonal lovgivning, skal brukt elektrisk utstyr samt brukte batterier og akkumulatører samles inn separat og leveres til et eget innsamlingssted for kommunalt avfall, som driver virksomhet i samsvar med miljøvernforskriftene.

Dette er angitt av symbolet med den overkryssede avfallsbeholderen som er plassert på utstyret.



Garantert lydeffektnivå i henhold til EU-direktivet om støy fra utstyr til utendørs bruk.



Lydeffektnivå i henhold til Australia NSW støykontrollforskrift

Riktig bruk

Dette verktøyet er beregnet på kutting av grener eller busker ved bruk av sagkjede.

Støy

Typisk A-vektet lydtryknivå er bestemt i henhold til EN62841-4-1:

Lydtryknivå (L_{pA}): 76 dB (A)

Lydeffektnivå (L_{WA}): 87 dB (A)

Usikkerhet (K): 3 dB (A)

MERK: Den/de oppgitte verdien(e) for genererte vibrasjoner har blitt målt i henhold til standard testmetoder, og kan bli brukt til å sammenligne ett verktøy med et annet.

MERK: Den/de angitte verdien(e) for de genererte vibrasjonene kan også brukes til en foreløpig vurdering av eksponeringen.

⚠ ADVARSEL: Bruk hørselsvern.

⚠ ADVARSEL: De genererte vibrasjonene ved faktisk bruk av elektroverktøyet kan avvike fra den/de angitte vibrasjonsverdien(e), avhengig av hvordan verktøyet brukes.

⚠ ADVARSEL: Sørg for å identifisere vernetiltak for å beskytte operatøren, som er basert på et estimat av eksponeringen under de faktiske bruksforholdene (idet det tas hensyn til alle deler av driftssyklusen, dvs. hvor lenge verktøyet er slått av, hvor lenge det går på tomgang og hvor lenge startbryteren faktisk holdes trykket).

Vibrasjoner

Den totale vibrasjonsverdien (triaksial vektorsum) bestemt i henhold EN62841-4-1:

Arbeidsmodus: saging av tre

Genererte vibrasjoner ($a_{h,w}$): 4,6 m/s²

Usikkerhet (K): 1,5 m/s²

MERK: Den/de oppgitte verdien(e) for totalt genererte vibrasjoner har blitt målt i henhold til standard testmetoder, og kan bli brukt til å sammenligne ett verktøy med et annet.

MERK: Den/de angitte verdien(e) for totalt genererte vibrasjoner kan også brukes til en foreløpig vurdering av eksponeringen.

⚠ ADVARSEL: De genererte vibrasjonene ved faktisk bruk av elektroverktøyet kan avvike fra den/de angitte vibrasjonsverdien(e), avhengig av hvordan verktøyet brukes og spesielt i forhold til arbeidsstykket som blir behandlet.

⚠ ADVARSEL: Sørg for å identifisere vernetiltak for å beskytte operatøren, som er basert på et estimat av eksponeringen under de faktiske bruksforholdene (idet det tas hensyn til alle deler av driftssyklusen, dvs. hvor lenge verktøyet er slått av, hvor lenge det går på tomgang og hvor lenge startbryteren faktisk holdes trykket).

Samsvarserklæring

Gjelder kun for land i Europa

Samsvarserklæringene er lagt til som vedlegg A i denne bruksanvisningen.

SIKKERHETSADVARSEL

Generelle advarsler angående sikkerhet for elektroverktøy

ADVARSEL Les alle sikkerhetsadvarsler, instruksjoner, illustrasjoner og spesifikasjoner som følger med dette elektroverktøyet. Hvis ikke alle instruksjonene nedenfor følges, kan det føre til elektrisk støt, brann og/eller alvorlig personskade.

Oppbevar alle advarsler og instruksjoner for senere bruk.

Uttrykket «elektrisk verktøy» i advarslene refererer både til elektriske verktøy (med ledning) tilkoblet strømmenettet, og batteridrevne verktøy (uten ledning).

Generelle sikkerhetsadvarsler for beskjeringsag

- Hold alle kroppsdeler unna sagkjedet når beskjeringsagen er i gang. Før du starter beskjeringsagen må du forvise deg om at sagkjedet ikke berører noe.** Et øyeblikks uoppmerksomhet mens du bruker beskjeringsagen kan være nok til å sette fast klær eller kroppsdeler i sagkjedet.
- Du må alltid holde beskjeringsagen med én hånd på det bakre håndtaket og den andre hånden på hjelpehåndtaket.**
- Hold beskjeringsagen kun i de isolerte gripeflatene, ettersom sagkjedet kan komme i kontakt med skjulte ledninger.** Hvis et sagkjede kommer i kontakt med en strømførende ledning, vil også uisolerte deler av beskjeringsagen gjøres strømførende og kunne gi operatøren elektrisk støt.
- Bruk beskyttelsesbriller. Det anbefales å bruke ytterligere verneutstyr for hørsel, hode, hender, bein og føtter.** Egnert verneutstyr vil redusere personskadene som følge av flygende flis eller utilsikket kontakt med sagkjedet.
- Ikke bruk en beskjeringsag mens du er oppe i et tre, på en stige, på et tak eller på et ustabil underlag.** Hvis du bruker en beskjeringsag på denne måten, kan det føre til alvorlige personskader.
- Pass på alltid å ha godt fotfeste, og bruk beskjeringsagen kun når du står på et fast, trygt og jevnt underlag.** Glatte eller ustabile underlag kan føre til at du kommer ut av balanse eller mister kontrollen over beskjeringsagen.
- Når du kutter en gren som står i spenn, må du være forberedt på at den vil sprette tilbake.** Når spenningen i trefibrene utløses, vil den fjærbelastede grenen kunne slå til operatøren og/eller kaste beskjeringsagen ut av kontroll.
- Vær ekstremt forsiktig ved kutting av buskvekster og ungrær.** Det tynne materialet kan sette seg fast i sagkjedet og piskes mot deg eller trekke deg ut av likevekt.
- Beskjeringsagen skal være slått av når den bæres, og holdes unna kroppen.** Ved transport eller lagring av beskjeringsagen må sverdekselet alltid settes på. Korrekt håndtering av beskjeringsagen vil redusere sannsynligheten for at du ved et uhell kommer borti det roterende sagkjedet.
- Følg instruksjonene for smøring, kjedestramming og utskifting av sverdet og kjedet.** Et kjede som ikke er strammet eller smurt på riktig måte, kan enten knekke eller øke sjansen for tilbakeslag.
- Bruk sagen kun til tre. Ikke bruk beskjeringsagen til annet enn det den er konstruert for.** For eksempel: Ikke bruk beskjeringsagen til å kutte metall, plast, mur eller andre byggematerialer enn tre. Hvis beskjeringsagen brukes til annet enn det den er konstruert for, kan det oppstå farlige situasjoner.
- Denne beskjeringsagen er ikke konstruert for trefelling.** Hvis beskjeringsagen brukes til annet enn det den er konstruert for, kan det oppstå alvorlige personskader på operatøren eller personer i nærheten.
- Følg alle instruksjoner ved fjerning av materiale som sitter fast, oppbevaring eller vedlikehold av beskjeringsagen. Sørg for at bryteren er slått av og batteriet er fjernet.**
- Årsaker til tilbakeslag og hvordan operatøren kan forhindre dette:**

Det kan oppstå tilbakeslag hvis spissen av føringsstangen kommer borti en gjenstand, eller når treet lukker seg og klemmer fast sagkjedet i snittet. I noen tilfeller kan det å komme borti noe med spissens føre til en plutselig motsatt rettet reaksjon, så føringsstangen kastes oppover og tilbake mot operatøren.

Hvis sagkjedet kommer i klem langs oversiden av føringsstangen, kan føringsstangen slås raskt tilbake mot operatøren.

Disse reaksjonene kan føre til at du mister kontrollen over sagen, noe som kan føre til alvorlige personskader. Ikke stol utelukkende på sikkerhetsanordningene som er innebygd i sagen din. Som bruker av en beskjeringsag bør du treffe flere tiltak for å sikre at sagejobbene dine foregår uten ulykker eller skader.

Tilbakeslag er et resultat av feil bruk av beskjeringsagen og/eller feilaktige arbeidsprosedyrer eller arbeidsforhold, og kan unngås ved å ta de rette forholdsreglene gitt nedenfor:

 - Ha et fast grep med begge hender, slik at tomlene og fingrene ligger rundt håndtakene på beskjeringsagen, og hold kroppen og armene dine slik at de kan motstå kraften ved tilbakeslag.** Kraften i tilbakeslaget kan kontrolleres av operatøren, hvis vedkommende tar sine forholdsregler. Ikke slipp beskjeringsagen.

► Fig.1

- Ikke len deg for langt, og ikke sag over skulderhøyde.** På denne måten kan du unngå at du uforvarende kommer borti noe med spissen av sverdet, og du får bedre kontroll med beskjeringsagen i uventede situasjoner.

- **Bare bruk reservesverd og -sagkjeder som er angitt av produsenten.** Feil reservesverd og -sagkjeder kan føre til kjedebrudd og/eller tilbakeslag.
 - **Følg produsentens slipe- og vedlikeholdsanvisninger for sagkjedet.** Hvis du reduserer høyden på rytterne kan du komme til å øke faren for tilbakeslag.
15. **Følg alle instruksjoner ved fjerning av materiale som sitter fast, oppbevaring eller vedlikehold av motorsagen.** Sørg for at bryteren er slått av og batteriet er fjernet.

Flere sikkerhetsanvisninger

Personlig verneutstyr

1. Klærne må være tettsittende, men de må ikke gjøre det vanskelig å bevege seg fritt.
2. Bruk følgende vernekler under arbeidet:
 - Godkjent vernehjelm, hvis det kan være fare for fallende grener eller liknende
 - Ansiktsmaske eller vernebriller
 - Passende hørselsvern (øreklokker, tilpassede eller formbare øreplugger) Oktavanalyse på forespørsel.
 - Faste vernehansker av skinn
 - Langbukser laget av sterkt stoff
 - Vernebukser av et materiale som er motstandsdyktig mot kutt
 - Vernesko eller -støvler med sklisikre såler, ståltupp og er laget av et materiale som motstandsdyktig mot kutt
 - Pustemaske ved arbeid som produserer støv (f.eks. Saging av tørt tre).

Bruk

1. **Før du begynner å jobbe, må du kontrollere at verktøyet er funksjonsdyktig og i så god stand at det oppfyller sikkerhetskravene. Kontroller særlig at:**
 - Utkoblingsbremsen virker som den skal
 - Sverdet og kjedehjulbeskyttelsen er satt riktig på
 - Kjedet er slipt og strammet i samsvar med retningslinjene.
2. **Ikke start verktøyet mens kjededekeleet monteres.** Hvis verktøyet startes mens kjededekeleet monteres, kan kjededekeleet bli slengt utover og forårsake personskader og skader på gjenstander i området rundt operatøren.
3. **Ikke stå direkte under en gren som skjæres. Vær oppmerksom på fallende grener.**
4. **Ikke bruk verktøyet i dårlig vær hvis det er fare for lyn.**
5. **Når du bruker verktøyet på gjørmete underlag, i våte bakker eller på glatte steder, må du passe på at du ikke mister fotfestet.**

Elektrisk sikkerhet og batterisikkerhet

1. **Unngå farlige omgivelser. Ikke bruk verktøyet i fuktige eller våte omgivelser, og ikke utsett det for regn.** Hvis det kommer vann inn i verktøyet, vil risikoen for elektriske støt øke.
2. **Ikke kast batteriet (batteriene) på åpen ild.** Cellen kan eksplodere. Batterier skal leveres til en forhandler av elektroutstyr eller til et kommunalt avfallsmottak.

3. **Ikke åpne eller ødelegg batteriet (batteriene).** Elektrolytt som lekker ut er korroderende, og kan forårsake skader på øyne og hud. Den kan være giftig hvis den svelges.
4. **Ikke skift batteri når det regner, eller i fuktige omgivelser.**
5. **Ikke lad batteriet utendørs.**
6. **Ikke håndter laderen, inkludert laderstøpset og laderterminalene, med våte hender.**
7. **Ikke skift ut batteriet med våte hender.**
8. **Ikke la batteriet stå ute i regnet, og du må heller ikke lade, bruke eller oppbevare batteriet på et fuktig eller vått sted.**
9. **Ikke fukt terminalen eller batteriet med væsker som vann, og ikke dykk batteriet i vann.** Hvis terminalen blir våt eller det trenger vann inn i batteriet, kan batteriet kortslutte, og det er risiko for overoppheting, brann eller eksplosjon.
10. **Når du har tatt batteriet ut av maskinen eller laderen, må du sørge for å feste batteridekselet til batteriet og oppbevare det på et tørt sted.**
11. **Hvis batteriet blir vått, tømmer du batteriet for vann og tørker det med en tør klut. Tørk batteriet helt på et tørt sted før bruk.**

TA VARE PÅ DISSE INSTRUKSJONENE.

⚠ ADVARSEL: IKKE LA hensynet til hva som er "behagelig" eller det faktum at du kjenner produktet godt (etter mange gangers bruk) gjøre deg mindre oppmerksom på sikkerhetsreglene for bruken av det aktuelle produktet. Ved MISBRUK eller hvis ikke sikkerhetsreglene i denne bruksanvisningen følges, kan det oppstå alvorlig personskade.

Viktige sikkerhetsanvisninger for batteriinnsetts

1. **Før du begynner å bruke batteriet, må du lese alle anvisninger og forsiktighetsregler på (1) batteriladeren, (2) batteriet og (3) det produktet batteriet skal brukes i.**
2. **Ikke demonter eller tukle batteriet.** Det kan føre til brann, overoppheting eller eksplosjon.
3. **Hvis driftstiden er blitt vesentlig kortere, må du omgående slutte å bruke maskinen. Hvis ikke kan resultatet bli overoppheting, mulige forbrenninger eller til og med en eksplosjon.**
4. **Hvis du får elektrolytt i øynene, må du skylle dem med store mengder rennende vann og oppsøke lege med én gang. Denne typen uhell kan føre til varig blindhet.**
5. **Ikke kortslutt batteriet:**
 - (1) De kan være ekstremt varme og du kan brenne deg.
 - (2) Ikke lagre batteriet i samme beholder som andre metallgjenstander, som for eksempel spiker, mynter osv.
 - (3) Ikke la batteriet komme i kontakt med vann eller regn.

En kortslutning av batteriet kan føre til et kraftig strømstøt, overoppvarming, mulige forbrenninger og til og med til at batteriet går i stykker.

- Ikke oppbevar og bruk verktøyet og batteriet på steder hvor temperaturen kan komme opp eller overskride 50 °C.
- Likke sett fyr på batteriet, ikke engang om det er sterkt skadet eller helt utslitt. Batteriet kan eksplodere hvis det begynner å brenne.
- Du må ikke spikre, skjære, klemme, kaste eller miste batteriet, og heller ikke slå en hard gjenstand mot batteriet. En slik oppførsel kan føre til brann, overoppheting eller eksplosjon.
- Ikke bruk batterier som er skadet.
- Lithium-ion-batteriene som medfølger er gjenstand for krav om spesialavfall. For kommersiell transport, f.eks av tredjeparter eller speditører, må spesielle krav om pakking og merking følges. Før varen blir sendt, må du forhøre deg med en ekspert på farlig materiale. Ta også hensyn til muligheten for mer detaljerte nasjonale bestemmelser. Bruk teip eller maskeringsteip for å skjule åpne kontakter og pakk inn batteriet på en slik måte at den ikke kan bevege seg rundt i emballasjen.
- Når du kasserer batteriinnsetsen, må du ta den ut av verktøyet og avhende den på et sikkert sted. Følg lokale bestemmelser for avhendig av batterier.
- Bruk batteriene kun med produkter spesifisert av Makita. Montere batteriene i produkter som ikke er konforme kan føre til brann, overheting eller elektrolyttlekkasje.
- Hvis verktøyet ikke skal brukes over en lengre periode, må batteriet tas ut av verktøyet.
- Under og etter bruk kan batteriet bli varmt og før til brannskader. Vær forsiktig med håndteringen av varme batterier.

- Ikke berører terminalen på verktøyet rett etter bruk, da den kan bli varm og forårsake brannskader.
- Ikke la spon, støv eller jord sette seg fast i terminalene, hullene og sporene i batteriet. Det kan føre til at batteriet eller verktøyet blir overopphetet, begynner å brenne, sprekker eller ikke fungerer som det skal, og forårsake brannskader eller personskade.
- Med mindre verktøyet støtter bruk nær en høyspent strømlinje, skal ikke batteriet brukes nær en høyspent strømlinje. Det kan føre til en funksjonsfeil eller at verktøyet eller batteriet slutter å fungere.
- Oppbevar batteriet utilgjengelig for barn.

TA VARE PÅ DISSE INSTRUKSENE.

⚠FORSIKTIG: Bruk kun originale Makita-batterier. Bruk av batterier som har endret seg, eller som ikke er originale Makita-batterier, kan føre til at batteriet sprekker og forårsaker brann, personskader og andre skader. Det vil også ugyldiggjøre garantien for Makita-verktøyet og -laderen.

Tips for å opprettholde maksimal batterilevetid

- Lad batteriinnsetsen før den er helt utladet. Stopp alltid driften av verktøyet og lad batteriinnsetsen når du merker at effekten reduseres.
- Lad aldri en batteriinnsets som er fulladet. Overopplading forkorter batteriets levetid.
- Lad batteriet i romtemperatur ved 10 °C - 40 °C. Et varmt batteri må kjøles ned før lading.
- Når batteriet ikke er bruk, skal det tas ut av verktøyet eller laderen.
- Lad batteriet hvis det ikke har vært brukt på en lang stund (over seks måneder).

DELEBESKRIVELSE

► Fig.2

1	Hjelpéhåndtak	2	Sikkerhetsdeksel	3	Sagkjede
4	Sverd	5	Oljetanklokk	6	Sverddeksel
7	Kjedehjuldeksel	8	Av-sperreknapp	9	Håndtak bak
10	Startbryter	11	Spak	12	Batteriinnsets

FUNKSJONSBEKRIVELSE

⚠FORSIKTIG: Forviss deg alltid om at maskinen er slått av og batteriet tatt ut før du justerer maskinen eller kontrollerer dens mekaniske funksjoner.

Sette inn eller ta ut batteri

⚠FORSIKTIG: Slå alltid av verktøyet før du setter inn eller fjerner batteriet.

⚠FORSIKTIG: Hold verktøyet og batteripatronen i et fast grep når du monterer eller fjerner batteripatronen. Hvis du ikke holder verktøyet og batteripatronen godt fast, kan du miste grepet, og dette kan føre til skader på verktøyet og batteripatronen samt personskaider.

► Fig. 3: 1. Rød indikator 2. Knapp 3. Batteriinnsetts

For å ta ut batteriet må du skyve på knappen foran på batteriet og trekke det ut.

Når du skal sette inn batteriet, må du plassere tungen på batteriet på linje med sporet i huset og skyve batteriet på plass. Skyv det helt inn til det går i inngrep med et lite klikk. Hvis du kan se den røde indikatoren som vist i figuren, er det ikke helt låst.

⚠FORSIKTIG: Batteriet må alltid settes helt inn, så langt at den røde indikatoren ikke lenger er synlig. Hvis dette ikke gjøres, kan batteriet falle ut av verktøyet og skade deg eller andre som oppholder seg i nærheten.

⚠FORSIKTIG: Ikke bruk makt når du setter i batteriet. Hvis batteriet ikke glir lett inn, er det fordi det ikke settes inn på riktig måte.

Indikere gjenværende batterikapasitet

Kun for batterier med indikatoren

► Fig. 4: 1. Indikatorlamper 2. Kontrollknapp

Trykk på sjekk-knappen på batteriet for vise gjenværende batterikapasitet. Indikatorlampene lyser i et par sekunder.

Indikatorlamper			Gjenværende batterinivå
Tent	Av	Bliker	
■	□	▬	75 % til 100 %
■	■	□	50 % til 75 %
■	□	□	25 % til 50 %
■	□	□	0 % til 25 %
▬	□	□	Lad batteriet.
■	■	□	Batteriet kan ha en feil.
□	□	■	

MERK: Det angitte nivået kan avvike noe fra den faktiske kapasiteten alt etter bruksforholdene og den omgivende temperaturen.

MERK: Den første (helt til venstre) indikatorlampen vil blinke når batterivernsystemet fungerer.

Batterivernsystem for verktøy/batteri

Verktøyet er utstyrt med et batterivernsystem for verktøy/batteri. Dette systemet kutter automatisk strømmen til motoren for å forlenge verktøyet og batteriets levetid. Verktøyet stopper automatisk under drift hvis verktøyet eller batteriet utsettes for en av følgende tilstander:

Overlastsikring

Når verktøyet eller batteriet brukes på en måte som gjør at det bruker unormalt mye strøm, vil verktøyet stoppe automatisk. Hvis dette skjer, må du slå av verktøyet og avslutte bruken som forårsaket at verktøyet ble overbelastet. Slå deretter verktøyet på for å starte det igjen.

Overopphetingsvern

Når verktøyet eller batteriet blir overopphetet, stanser verktøyet automatisk. I dette tilfellet lar du verktøyet og batteriet avkjøles før du starter verktøyet på nytt.

Overutladningsvern

Når det blir batterikapasiteten er utilstrekkelig, stopper verktøyet automatisk. I så fall fjerner du batteriet fra verktøyet og lader det.

Bryterfunksjon

⚠ADVARSEL: Av hensyn til din sikkerhet er denne maskinen utstyrt med en AV-sperrehendel som forhindrer utilsiktet start av maskinen. Maskinen må ALDRI brukes hvis den starter når du trykker på startbryteren uten at du også må trykke på AV-sperrehendelen. Returner maskinen til et autorisert servicesenter for å få den reparert FØR videre bruk.

⚠ADVARSEL: AV-sperrehendelen må ALDRI holdes inne med tape, og den må ALDRI settes ut av funksjon.

⚠FORSIKTIG: Før du setter batteriet inn i maskinen, må du alltid kontrollere at startbryteren aktiverer maskinen på riktig måte og går tilbake til «AV»-stilling når den slippes.

OBS: Ikke trykk hardt på utløseren uten å trykke på AV-sperrehendelen. Dette kan få bryteren til å brekke.

Verktøyet er utstyrt med en AV-sperrehendel for å forhindre av startbryteren betjenes ved et uhell. Trykk inn AV-sperrehendelen og trykk på startbryteren for å starte verktøyet. Slipp startbryteren for å stanse verktøyet.

► Fig. 5: 1. Startbryter 2. Av-sperreknapp

Kontroll av utkoblingsbremsen

⚠️ FORSIKTIG: Hvis ikke sagkjedet stopper i løpet av noen sekunder i denne testen, må du avslutte bruken av verktøyet og ta kontakt med vårt autoriserte servicesenter.

Kjør verktøyet, og slipp så startbryteren helt. Sagkjedet må stoppe i løpet av noen få sekunder.

MONTERING

⚠️ FORSIKTIG: Forviss deg alltid om at maskinen er slått av og batteriet tatt ut før du utfører noe arbeid på maskinen.

⚠️ FORSIKTIG: Ikke ta på sagkjedet med bare hender. Bruk alltid hansker når du håndterer sagkjedet.

Ta av eller monterer sagkjedet

⚠️ FORSIKTIG: Sagkjedet og sverdet er fortsatt varme etter bruk. La de avkjøles tilstrekkelig før du utfører arbeid på verktøyet.

⚠️ FORSIKTIG: Utfør prosedyren for montering eller avmontering av sagkjedet på et rent sted uten sagmugg o.l.

Fjerne sagkjedet

Bruk følgende trinn for å ta av sagkjedet:

1. Trekk spaken opp.
▶ **Fig.6:** 1. Spakk
2. Drei spaken mot klokken for å løsne kjedehjulbeskyttelsen til den kan tas av.
▶ **Fig.7:** 1. Kjedehjuldeksel 2. Spakk
3. Ta av kjedehjuldekslet, og ta deretter sagkjedet og sverdet av verktøykroppen.

Montere sagkjedet

Bruk følgende trinn for å montere sagkjedet:

1. Trekk spaken opp.
▶ **Fig.8:** 1. Spakk
2. Drei spaken mot klokken for å løsne kjedehjulbeskyttelsen til den kan tas av.
▶ **Fig.9:** 1. Spakk 2. Kjedehjuldeksel
3. Ta av kjedehjuldekslet.
4. Rett inn hullet på sverdet med pinnen på verktøykroppen, og plasser deretter sverdet som vist på figuren.
▶ **Fig.10:** 1. Sverd 2. Hull 3. Pinne

5. Skyv sverdet mot kjedehjulet for å låse pinnen.

▶ **Fig.11:** 1. Sverd 2. Pinne

6. Ta sverdet av verktøykroppen.
7. Kontroller retningen til sagkjedet. Rett inn retningen til sagkjedet med merket på verktøykroppen.
▶ **Fig.12:** 1. Merke på verktøykropp

8. Fest den ene enden av sagkjedet på toppen av sverdet.

9. Fest den andre enden av sagkjedet rundt kjedehjulet, og fest så sverdet på verktøykroppen slik at hullet på sverdet er rettet inn med pinnen på verktøykroppen.

▶ **Fig.13:** 1. Kjedehjul

Press sverdet mot verktøykroppen for å løsne pinnen. Strammingen av sagkjedet justeres automatisk.

▶ **Fig.14:** 1. Sagkjede 2. Pinne 3. Kjedehjul

10. Sett kjedehjuldekslet slik at bolten og pinnen på verktøykroppen møter sine motstykker på kjedehjuldekslet.

▶ **Fig.15:** 1. Kjedehjuldeksel 2. Bolt 3. Splint

11. Drei spaken med klokken til kjedehjulbeskyttelsen er sikret, og så setter du den tilbake til opprinnelig stilling.

▶ **Fig.16:** 1. Spakk 2. Kjedehjuldeksel

Pass på at ikke sagkjedet løsner og at sagkjedet beveger seg jevnt frem og tilbake. Hvis nødvendig, justerer du strammingen av sagkjedet ved å referere til avsnittet om justering av strammingen av sagkjedet.

Justere strammingen av sagkjedet

⚠️ FORSIKTIG: Et kjede som er for løst kan hoppe av sverdet og føre til personskade eller ulykke.

Sagkjedet kan bli løsere etter mange timers bruk. Fra tid til annen må du kontrollere strammingen av sagkjedet før bruk.

Hvis sagkjedet er løst, justerer du strammingen av sagkjedet.

1. Trekk spaken opp.

▶ **Fig.17:** 1. Spakk

2. Drei spaken litt mot klokken for å løsne kjedehjuldekslet litt. Kjedestråmningen justeres automatisk.

▶ **Fig.18:** 1. Kjedehjuldeksel 2. Spakk

3. Drei spaken med klokken til kjedehjulbeskyttelsen er sikret, og så setter du den tilbake til opprinnelig stilling.

▶ **Fig.19:** 1. Spakk 2. Kjedehjuldeksel

BRUK

Smøring

⚠FORSIKTIG: Ikke bruk verktøyet når tanken er tom. Etterfyll olje i god tid før tanken går tom.

⚠FORSIKTIG: Unngå hudkontakt med oljen, og unngå å få den i øynene. Olje i øynene kan forårsake irritasjon. Hvis du får olje i øynene, må du omgående skylle med vann og oppsøke lege så snart som mulig.

⚠FORSIKTIG: Bruk aldri spillolje. Spillolje inneholder kreftfremkallende substanser. De forurensende stoffene i spillolje gir enda raskere slitasje av oljepumpen, føringsstangen og kjedet. Spillolje er skadelig for miljøet.

OBS: Når verktøyet brukes for første gang, kan det ta opptil to minutter før sagkjedeoljen begynner å smøre sagemekanismen. Kjør saken uten belastning inntil smøringen begynner.

OBS: Når du fyller kjedeolje for første gang, eller når du fyller tanken etter at den har vært kjørt helt tom, må du fylle på olje til nederst på påfyllingsstussen. Ellers kan oljetilførselen bli for dårlig.

OBS: Bruk kjedeolje som er spesiallaget for verktøy fra Makita, eller tilsvarende olje som er tilgjengelig på markedet.

OBS: Du må aldri bruke olje som inneholder støv og partikler eller flyktig olje.

OBS: Bruk botanisk olje ved beskjæring av trær. Mineralolje kan skade trærne.

OBS: Før du sager må du passe på at det medfølgende oljetankklokke er skrudd godt på.

Sagkjedet smøres automatisk når maskinen er i bruk. Kontroller jevnlig hvor mye olje som er igjen i tanken ved å se i oljeseglasset.

► **Fig.20:** 1. Oljeseglass 2. Oljetankklokke

Utfør følgende trinn for å etterfylle olje:

1. Rengjør grundig området rundt oljetankklokke for å hindre at det kommer smuss inn i oljetanken.
 2. Legg verktøyet på siden.
 3. Trykk på knappen på oljetankklokke slik at knappen på den andre siden stikker ut, og ta av oljetankklokke ved å dreie det.
- **Fig.21:** 1. Oljetankklokke 2. Stramme 3. Løsne
4. Fyll oljetanken med olje. Riktig oljemengde er 55 ml.
 5. Skru oljetankklokke ordentlig på igjen.
 6. Tørk forsiktig av eventuelt oljesøl.

MERK: Hvis det er vanskelig å ta av oljetankklokke, setter du spissen på en sporskrutrekker inn i sporet i oljetankklokke, og deretter tar du av oljetankklokke ved å dreie det mot klokken.

► **Fig.22:** 1. Spor 2. Sporskrutrekker

Hold verktøyet slik at det vender bort fra materialet som skal skjæres, etter etterfylling. Start det, og vent til sagkjedet er passe smurt.

► **Fig.23**

Jobbe med verktøyet

⚠FORSIKTIG: Hold alle kroppsdelene vekk fra sagkjedet når verktøyet går.

⚠FORSIKTIG: Hold verktøyet godt fast med begge hender når verktøyet går.

⚠FORSIKTIG: Ikke strekk deg for langt. Pass alltid på at du holder balansen og har godt fotfeste.

OBS: Du må aldri kaste, eller slippe ned verktøyet.

OBS: Ikke tildekk ventilene på verktøyet.

Før du starter verktøyet fører du bunnen på sverdet og støttedelen på verktøykroppen i berøring med grenen som skal skjæres, som vist på figuren. Start verktøyet mens verktøyet og sverdet er i kontakt med grenen, og sag grenen ved å bevege verktøyet ned langs grenen.

► **Fig.24**

⚠FORSIKTIG: Før skjæreoperasjonen må du forsikre deg om at grenen som skal skjæres, er i berøring med bunnen på sverdet og støttedelen av verktøykroppen. Ellers kan verktøyet bli trukket mot sverdspissen og sverdspissen kan vingle, noe som kan føre til personskade.

Bærbart verktøy

Før du bærer verktøyet må du alltid ta ut batteriet. Deretter fester du sverddekslet. Dekk også batteriet med batteridekslet.

► **Fig.25:** 1. Sverddeksel 2. Batterideksel

VEDLIKEHOLD

⚠FORSIKTIG: Forviss deg alltid om at maskinen er slått av og batteriet tatt ut før du foretar inspeksjon eller vedlikehold.

⚠FORSIKTIG: Bruk alltid hansker når du utfører inspeksjon eller vedlikehold.

OBS: Aldri bruk gasolin, bensin, tynner alkohol eller lignende. Det kan føre til misfarging, deformering eller sprekke dannelse.

Før å opprettholde produktets SIKKERHET og PÅLITELIGHET, må reparasjoner, vedlikehold og justeringer utføres av autoriserte Makita servicesentre eller fabrikk servicesentre, og det må alltid brukes reservedeler fra Makita.

Slipe sagkjedet

Slip sagkjedet når:

- Det dannes melaktig sagflis når du sager i vått tre
- Kjedet har problemer med å trenge gjennom treet, selv når du legger kraftig press på sagen
- Snittkanten er synlig skadet
- Årsaken til denne oppførselen er ujevn sliping av sagkjedet, eller at den ene siden av det er skadet (forårsaket av ujevn sliping av sagkjedet eller bare skade på den ene siden).

Slip sagkjedet hyppig, men bare litt hver gang. To eller tre strøk med en fil er vanligvis nok ved rutinemessig sliping. Når sagkjedet er blitt slipt om igjen flere ganger, bør du få det slipt hos et av våre godkjente servicesentre.

Slipekriterier:

⚠ ADVARSEL: For stor avstand mellom snittkanten og dybdemåleren øker risikoen for tilbakeslag.

► **Fig.26:** 1. Tannlengde 2. Avstand mellom snittkanten og dybdemåler 3. Minimum skjærelengde (3 mm)

- Alle tannlengder må være like. Tenner av ulik lengde hindrer at kjedet løper jevnt, og kan forårsake brudd på kjedet.
- Ikke slip kjedet når tannlengden har nådd 3 mm eller kortere. Kjedet må skiftes ut med et nytt.
- Spontykkelsen bestemmes av avstanden mellom rytterne (rund nese) og snittkanten.
- De beste sageresultatene oppnås med følgende avstand mellom snittkanten og rytterne.
 - Sagblad 80TXL : 0,65 mm

► Fig.27

- Slipevinkelen på 30° må være lik på alle tennene. Ulikheter i vinkelen kan få kjedet til å gå brått og ujevnt, føre til raskere slitasje og kjedebrudd.
- Bruk en egnet rundfil slik at riktig slipevinkel beholdes mot tennene.
 - Sagblad 80TXL : 55°

Fil og filføring

- Bruk en spesiell rundfil (valgfritt tilbehør) for sagkjedet hvis du ønsker å slipe det. Vanlige runde filer kan ikke brukes.
- Diameter for den runde filen for hvert sagkjede er som følger:
 - Sagblad 80TXL : 4,0 mm
- Filen må bare berøre tannen på vei forover. Løft filen av tannen på vei tilbake.
- Slip den korteste tannen først. Den korteste tannens lengde blir standarden for alle tennene på sagkjedet.
- Før filen som vist på figuren.

► **Fig.28:** 1. Fil 2. Sagkjede

- Filen kan føres enklere ved hjelp av en filholder (ekstrautstyr). Filholderen har merker for korrekt slipevinkel på 30° (legg merkene parallelt med sagkjedet) og begrenser inntrengningsdybden (til 4/5 av fildiameteren).

► **Fig.29:** 1. Filholder

- Når kjedet er slipt, må du kontrollere høyden på rytterne ved hjelp av kjedemalen (ekstrautstyr).

► **Fig.30**

- Fjern eventuelt fremstikkende materiale, uansett hvor lite det dreier seg om, med en flat spesialfil (ekstrautstyr).
- Rytterne rundes av igjen i forkant.

Rengjør sverdet

Spon og sagflis vil samle seg i sverdsporet. De kan tette sporet og forhindre oljetilførselen. Fjern alltid spon og sagflis når du sliper eller skifter ut sagkjedet.

► **Fig.31**

Rengjøring av kjedehjulbeskyttelsen

Spon og sagflis vil samle seg opp på innsiden av dekslet. Ta kjedehjuldekslet og sagkjedet av saken, og fjern spon og sagflis.

► **Fig.32**

Rengjøre oljeutstrømningshullet

Små partikler eller støv kan samle seg i oljeutstrømningshullet under bruk. Støvet eller partiklene kan skade oljetilførselen og forårsake utilstrekkelig smøring av hele sagkjedet. Når det kommer lite kjedeolje øverst på sverdet, må oljeutstrømningshullet rengjøres på følgende måte.

1. Ta kjedehjuldekslet og sagkjedet av saken.
 2. Fjern støv eller partikler ved hjelp av en sporskruetrekker eller lignende.
- **Fig.33:** 1. Sporskruetrekker 2. Oljetømminghull
3. Sett inn batteriet i maskinen. Trykk på startbryteren for å la støv og partikler renne av oljetappet hullet når du tømmer ut kjedeolje.
 4. Ta batteriet ut av verktøyet. Sett på igjen kjedehjuldekslet, sagkjedet og sverdet på verktøyet.

Skifte kjedehjulet

⚠ FORSIKTIG: Et utslitt kjedehjul vil skade sagkjedet. Skift i så fall ut kjedehjulet.

Før du monterer et nytt sagkjede, må du sjekke tilstanden til kjedehjulet.

► **Fig.34:** 1. Kjedehjul 2. Områder som slites ut

Monter alltid en ny låsering når du skifter kjedehjulet.

► **Fig.35:** 1. Låsering 2. Kjedehjul

OBS: Pass på at kjedehjulet er montert som vist i figuren.

Oppbevare verktøyet

1. Rengjør saken før du legger den vekk. Fjern eventuell flis og sagmugg fra maskinen etter at du har fjernet kjedehjulbeskyttelsen.
2. Etter at du har rengjort maskinen, må du la den gå uten belastning, for å smøre sagkjedet og sverdet.
3. Dekk til sverdet med sverddekslet.
4. Tøm oljetanken.

Instruksjoner for periodisk vedlikehold

Følgende vedlikeholdsoppgaver må utføres jevnlig for å oppnå lang levetid, unngå skade og sikre full funksjon av sikkerhetsfunksjonene. Garantikrav kan bare aksepteres dersom dette arbeidet utføres jevnlig og riktig. Hvis det ikke utføres beskrevet vedlikehold, kan det føre til ulykker! Brukeren av verktøyet må ikke utføre vedlikehold som ikke beskrives i bruksanvisningen. Alt slikt arbeid må utføres i et autorisert servicesenter.

Kontroller punkt/driftstid		Før bruk	Hver dag	Hver uke	Hver 3. måned	Årlig	Før lagring
Hele verktøyet	Kontroll.	✓	-	-	-	-	-
	Rengjøring.	-	✓	-	-	-	-
	Rådfør deg med et godkjent servicesenter.	-	-	-	-	✓	✓
Sagkjede	Kontroll.	✓	-	-	-	-	-
	Slip ved behov.	-	-	-	-	-	✓
Sverd	Kontroll.	✓	✓	-	-	-	-
	Fjern fra verktøyet.	-	-	-	-	-	✓
Smøring av kjedet	Kontroller hastigheten på oljetilførselen.	✓	-	-	-	-	-
Startbryter	Kontroll.	✓	-	-	-	-	-
Av-sperreknapp	Kontroll.	✓	-	-	-	-	-
Oljetanklokk	Kontroller stramming.	✓	-	-	-	-	-
Skuer og muttere	Kontroll.	-	-	✓	-	-	-

FEILSØKING

Inspiser utstyret selv før du bestiller reparasjon. Ikke prøv å demontere verktøyet hvis du finner et problem som ikke er forklart i brukerveiledningen. I stedet bør du ta kontakt med et av Makitas autoriserte servicesentre, som alltid bruker reservedeler fra Makita til reparasjoner.

Feilstatus	Årsak	Handling
Verktøyet starter ikke.	Batteriet er ikke satt inn.	Sett inn det ladede batteriet.
	Batteriproblem (lav spenning).	Lad opp batteriet. Hvis batteriet ikke lader, må du skifte ut batteriet.
Motoren stanser etter kort tids bruk.	Batteriets ladenivå er lavt.	Lad opp batteriet. Hvis batteriet ikke lader, må du skifte ut batteriet.
Ikke noe olje på kjedet.	Oljetanken er tom.	Fyll oljetanken.
	Oljesporet er skittent.	Rengjør sporet.
Verktøyet når ikke maksimalt antall omdreininger per minutt.	Batteriet er riktig satt inn.	Sett inn batteriet som beskrevet i denne håndboken.
	Batterieffekten minsker.	Lad batteriet. Hvis ladingen ikke virker, skal batterikassetten skiftes ut.
	Drivsystemet virker ikke slik det skal.	Spør det autoriserte servicesenteret i området om reparasjon.
Unormale vibrasjoner: Stans verktøyet umiddelbart!	Løst sagkjede eller sverd.	Juster sverdet og spennet til sagkjedet.
	Verktøyet virker ikke.	Spør det autoriserte servicesenteret i området om reparasjon.
Sagkjedet kan ikke settes på.	Kombinasjonen av sagkjede og kjedehjul er ikke riktig.	Bruk riktig kombinasjon av sagkjede og kjedehjul ved å se i delen som inneholder spesifikasjoner.

VALGFRITT TILBEHØR

⚠️ FORSIKTIG: Det anbefales at du bruker dette tilbehøret eller verktøyet sammen med den Makita-maskinen som er spesifisert i denne håndboken. Bruk av annet tilbehør eller verktøy kan forårsake personskader. Tilbehør og verktøy må kun brukes til det formålet det er beregnet på.

Ta kontakt med ditt lokale Makita-servicesenter hvis du trenger mer informasjon om dette tilbehøret.

- Sagkjede
- Sverd
- Sverddeksel
- Fil
- Verktøypose
- Makita originalbatteri og lader

MERK: Enkelte elementer i listen kan være inkludert som standardtilbehør i verktøypakken. Elementene kan variere fra land til land.

TEKNISET TIEDOT

Malli:		DUC101
Kokonaispituus (ilman terälevyä ja akkua)		357 mm
Nimellisjännite		DC 18 V
Nettopaino	*1	1,1 kg
	*2	1,6 - 2,0 kg
Vakioterälevyn pituus		100 mm
Suositeltu terälevyn pituus		100 mm
Käytettävän teräketjun tyyppi (katso lisätietoja allaolevasta taulukosta)		80TXL
Hammaspyörä	Hamasmäärä	7
	Nousu	0,325"
Ketjun nopeus		0 - 8,0 m/s (0 - 480 m/min)
Ketjuöljysäiliön tilavuus		55 cm ³

- Jatkuvasta tutkimus- ja kehitystyöstämme johtuen esitetyt tekniset tiedot saattavat muuttua ilman erillistä ilmoitusta.
- Tekniset tiedot voivat vaihdella maittain.

*1: Paino ilman teräketjua, terälevyä, terälevyn suoja, öljyä ja akkupaketteja.

*2: Kevyin ja painavin yhdistelmä EPTA-menettelytavan 01/2014 mukaisesti. Paino voi olla erilainen lisävarusteista sekä akkupaketeista johtuen.

Teräketjun, terälevyn ja hammaspyörän yhdistelmä

Teräketjun tyyppi		80TXL
Käyttölinkkien määrä		26
Terälevy	Terälevyn pituus	100 mm
	Leikkauspituus	111 mm
	Nousu	0,325"
	Asteikko	1,1 mm
	Tyyppi	Kovakärkinen levy
Hammaspyörä	Hamasmäärä	7
	Nousu	0,325"

VAROITUS: Sopiva terälevyn ja teräketjun yhdistelmä. Muussa tapauksessa voi seurauksena olla henkilövahinkoja.

Käytettävä akkupaketti ja laturi

Akkupaketti	BL1815N / BL1820B / BL1830B / BL1840B / BL1850B / BL1860B
Laturi	DC18RC / DC18RD / DC18RE / DC18SD / DC18SE / DC18SF / DC18SH / DC18WC

- Tiettyjä yläpuolella kuvattuja akkuja ja latureita ei ehkä ole saatavana asuinalueestasi johtuen.

VAROITUS: Käytä vain edellä eriteltyjä akkupaketteja ja latureita. Muiden akkupakettien ja laturien käyttäminen voi aiheuttaa loukkaantumisen ja/tai tulipalon.

Suositeltu johdollinen virtalähde

Kannettava tehoyksikkö	PDC01
------------------------	-------

- Edellä luetellut johdolliset virtalähteet eivät ehkä ole saatavana asuinalueellasi.
- Lue johdollisen virtalähteen käyttöohjeet ja tutustu siinä oleviin varoitusmerkintöihin ennen sen käyttämistä.

Symbolit

Laitteessa on mahdollisesti käytetty seuraavia symboleja. Opettele niiden merkitys ennen käyttöä.



Lue käyttöohje.



Käytä suojalaseja ja kuulosuojaimia.



Työkalua on käytettävä aina kahdella kädellä.



Varo takapotkuja ja vältä koskettamasta levyä kärkeä.



Älä altista laitetta kosteudelle.



Sallittu maksimileikkauspituus



Ketjun liikesuunta



Ni-MH
Li-ion

Koskee vain EU-maita
Käytetyillä sähkö- ja elektroniikkalaitteilla, paristoilla ja akkuilla voi olla negatiivisia ympäristö- ja terveysvaikutuksia niissä käytettyjen haitallisten osien takia.
Älä hävitä sähkö- ja elektroniikkalaitteita tai akkuja kotitalousjätteen mukana!
Vanhoja sähkö- ja elektroniikkalaitteita, paristoja ja akkuja koskevan EU-direktiivin ja sen perusteella laadittujen kansallisten lakien mukaan käytetyt sähkö- ja elektroniikkalaitteet, paristot ja akut on kierrätettävä toimittamalla ne erilliseen, ympäristönsuojelusäädösten mukaisesti toimivaan kierrätyspisteeseen.
Tämä on ilmaistu laitteessa olevalla ylivedetyn roska-astian symbolilla.



EU:n ulkona käytettävien laitteiden melupäästöjä koskevan direktiivin mukainen taattu äänitehotaso.



Australian Uuden Etelä-Walesin osavaltion melutasolainsäädännön mukainen äänitehotaso

Käyttötarkoitus

Tämä työkalu on tarkoitettu puiden oksien tai pensaiden leikkaamiseen teräketjun avulla.

Melutaso

Tyypillinen A-painotettu melutaso määryyty standardin EN62841-4-1 mukaan:

Äänenpainetaso (L_{pA}): 76 dB (A)

Äänen voiman taso (L_{WA}): 87 dB (A)

Virhemarginaali (K): 3 dB (A)

HUOMAA: Ilmoitetut melutasoarvot on mitattu standarditestausten menetelmän mukaisesti ja niiden avulla voidaan vertailla työkaluja keskenään.

HUOMAA: Ilmoitettuja melutasoarvoja voidaan käyttää myös altistumisen alustavaan arviointiin.

VAROITUS: Käytä kuulosuojaimia.

VAROITUS: Sähkötyökalun käytön aikana mitattu melutasoarvo voi poiketa ilmoitetuista arvoista laitteen käyttötavan ja erityisesti käsiteltävän työkappaleen mukaan.

VAROITUS: Selvitä käyttäjän suojaamiseksi tarvittavat varoimet todellisissa käyttöolosuhteissa tapahtuvan arvioidun altistumisen mukaisesti (ottaen huomioon käyttöjaksot kokonaisuuudessaan, myös jaksot, joiden aikana laite on sammutettuna tai käy tyhjäkäynnillä).

Tärinä

Kokonaistärinä (kolmen akselin vektorien summa) määryyty standardin EN62841-4-1 mukaan:

Työtila: puun leikkaaminen
Tärinäpäästö ($a_{h,W}$): 4,6 m/s²
Virhemarginaali (K): 1,5 m/s²

HUOMAA: Ilmoitetut kokonaistärinäarvot on mitattu standarditestausten menetelmän mukaisesti ja niiden avulla voidaan vertailla työkaluja keskenään.

HUOMAA: Ilmoitettuja kokonaistärinäarvoja voidaan käyttää myös altistumisen alustavaan arviointiin.

VAROITUS: Sähkötyökalun käytön aikana mitattu todellinen tärinäpäästöarvo voi poiketa ilmoitetuista arvoista laitteen käyttötavan ja erityisesti käsiteltävän työkappaleen mukaan.

VAROITUS: Selvitä käyttäjän suojaamiseksi tarvittavat varoimet todellisissa käyttöolosuhteissa tapahtuvan arvioidun altistumisen mukaisesti (ottaen huomioon käyttöjaksot kokonaisuuudessaan, myös jaksot, joiden aikana laite on sammutettuna tai käy tyhjäkäynnillä).

Vaativuuden mukaisuusvaatimukset

Koskee vain Euroopan maita

Vaativuuden mukaisuusvaatimukset on liitetty tähän käyttöoppaaseen liitteeksi A.

TURVAROITUKSET

Sähkötyökalujen käyttöä koskevat yleiset varoitukset

VAROITUS Tutustu kaikkiin tämän sähkötyökalun mukana toimitettuihin turvavaroituksiin, ohjeisiin, kuviin ja teknisiin tietoihin. Seuraavassa esitettyjen ohjeiden noudattamatta jättäminen voi aiheuttaa sähköiskun, tulipalon ja/tai vakavan vamman.

Säilytä varoitukset ja ohjeet tulevaa käyttöä varten.

Varoituksissa käytettävällä termillä "sähkötyökalu" tarkoitetaan joko verkkovirtaa käyttävää (johdollaista) työkalua tai akkukäyttöistä (johdotonta) työkalua.

Yleisiä karsintasahan käyttöä koskevia varoituksia

- Pidä kaikki ruumiinosat loitolla teräketjusta, kun karsintasahaa käytetään. Varmista ennen karsintasahan käynnistämistä, että teräketju osuu mihinkään.** Hetkellinenkin käytönaikainen huolimattomuus voi aiheuttaa sen, että vaate tai jokin ruumiinosa jää kiinni teräketjuun.
- Pitele karsintasahaa aina siten, että yksi käsi on takakahvalla ja toinen käsi apukahvalla.**
- Pitele karsintasahaa vain sen eristetyistä tartuntapinnoista, sillä teräketju saattaa osua piilossa oleviin johtoihin.** Jos teräketju osuu jännitteeseen johtoon, jännite voi siirtyä karsintasahan sähköä johtaviin metalliosiin ja aiheuttaa käyttäjälle sähköiskun.
- Pidä silmäsuojuksia. On suositeltavaa käyttää muitakin kuuloa, kasvoja, käsiä ja jalkoja suojaavia suojavälineitä.** Asianmukaisesti suojatut varusteet suojaavat pirstaleilta sekä teräkosketukselta johtuvilta henkilövahingoilta.
- Älä käytä karsintasahaa puussa, tikkailla, katolla tai muilla epävakailla alustoilla.** Karsintasahan käyttäminen näin voi johtaa vakaviin henkilövahinkoihin.
- Seiso tasapainossa ja käytä karsintasahaa vain, kun olet tasaisella ja tukevalla alustalla.** Liukkaat tai epävakaat alustat voivat aiheuttaa horjahduksen ja karsintasahan hallinnan menetyksen.
- Kun sahaat jännityksessä olevaa oksaa, ota huomioon vastaiskun mahdollisuus.** Oksasta vapautuva jännite voi saada oksan iskeytymään käyttäjää vasten ja/tai lyödä karsintasahan käyttäjän hallinnasta.
- Ole erityisen varovainen sahatessasi pensaikoja ja taimia.** Ohuet varret voivat tarttua teräketjuun ja iskeytyä käyttäjään tai vetää käyttäjän tasapainosta.
- Kanna karsintasahaa niin, että se on kytketty pois päältä ja etäällä varalosta. Aseta terälevyn suojus paikalleen karsintasahan kuljetuksen ja varastoinnin ajaksi.** Karsintasahan asianmukainen käsittely vähentää todennäköisyyttä, että liikkuva teräketju osuu käyttäjään.
- Noudata voitelusta, teräketjun kiristämisestä sekä teräketjun ja -levyn vaihtamisesta annettuja ohjeita.** Väärin kiristetty tai voideltu ketju saattaa katketa tai lisätä takapotkun mahdollisuutta.
- Sahaa vain puuta. Älä käytä karsintasahaa työhön, johon sitä ei ole tarkoitettu. Älä käytä karsintasahaa esimerkiksi metalliin, muovin, tiilien tai muiden kuin puisten rakennusmateriaalien sahaamiseen.** Karsintasahan käyttö tarkoituskiin, joihin sitä ei ole suunniteltu, voi aiheuttaa vaaratilanteen.
- Tätä karsintasahaa ei ole tarkoitettu puiden kaatamiseen.** Karsintasahan käyttö tarkoituskiin, joihin sitä ei ole suunniteltu, voi aiheuttaa vakavia vammoja käyttäjälle tai sivullisille.
- Noudata kaikkia ohjeita, kun poistat juuttunutta materiaalia karsintasahasta tai kun varastoit sen tai huollat sitä. Varmista, että ytkin on pois päältä ja akkupaketti on irrotettu.**

- Takapotkun syyt ja ennaltaehkäisevät toimet:** Takapotku voi tapahtua, kun terälevyn etuosa tai kärki koskettaa jotain esinettä tai kun puun osat siirtyvät yhteen ja puristavat teräketjun väliin. Kärkikosketus voi joissakin tapauksissa aiheuttaa äkillisen vastakkaisreaktion ja työntää terälevyn nopeasti ylös ja käyttäjää kohti. Kun teräketju jää puristuksiin terälevyn yläosaa vasten, terälevy voi sinkoutua nopeasti käyttäjää kohti. Kumpikin näistä reaktioista voi merkitä sahan hallinnan menettämistä ja aiheuttaa vakavia vammoja. Älä luota pelkästään sahan rakennettuihin turvalaitteisiin. Karsintasahan käyttäjänä sinun pitää huomata monta asiaa suorittaa useita toimia, jottei sahaus aiheuta onnettomuuksia tai vammoja. Takapotku johtuu karsintasahan virheellisestä käytöstä ja/tai huonoista käyttöolosuhteista. Takapotku voidaan välttää noudattamalla seuraavia varoituksia:
 - Pitele sahasta kunnolla kiinni. Purista peukalot ja sormet karsintasahan kahvojen ympärille ja seiso sellaisessa asennossa, että voit vastustaa takapotkun voimaa.** Takapotkut ovat käyttäjän hallittavissa, kunhan niihin valmistaudutaan asianmukaisesti. Älä irrota otetta karsintasahasta.

► Kuva1

- Älä kurota tai sahaa olkapäitäsä korkeammalla tasolla.** Tämä vähentää todennäköisyyttä, että terälevyn kärki osuu johonkin tahattomasti sekä parantaa karsintasahan hallittavuutta odottamattomissa tilanteissa.
 - Käytä vain valmistajan määrittelemiä vaihtoterälevyjä ja -teräketjuja.** Vääränlaisten terälevyjen tai teräketjujen käyttäminen voi aiheuttaa ketjun katkeamisen ja/tai takapotkun.
 - Teroita ja huolla teräketju valmistajan ohjeiden mukaan.** Syyvydensäätohampaiden madaltaminen voi lisätä takapotkujen mahdollisuutta.
- Noudata kaikkia ohjeita, kun poistat kiinni jääneitä materiaalia karsintasahasta tai kun varastoit sen tai huollat sitä. Varmista, että katkaisin on pois päältä ja akkupaketti on irrotettu.**

Lisäturvallisuusohjeet

Henkilönsuojaimet

- Vaatteiden täytyy olla istuvia, mutta ne eivät saa haitata liikkumista.
- Käytä työssä seuraavia suojavarusteita:
 - hyväksytyä suojakypärää, jos putoavat oksat tai vastaavat voivat aiheuttaa vaaraa
 - kasvosuojusta tai suojalaseja
 - sopivia kuulosuojaimia tai korvatulppia. Oktaavaikaista-analysi saatavana.
 - paksuja nahkaisia suojäkäsineitä
 - tukevasta kankaasta valmistettuja pitkiä housuja
 - viistosuojatusta kankaasta valmistettuja suojahaalareita
 - turvakenkiä tai saappaita, joissa on karhennettu antura, teräksinen kärkivahve ja tukeva vuori
 - hengityssuojainta, jos sahaaminen synnyttää pölyä (esimerkiksi kuivaa puuta sahattaessa).

Käyttö

1. Tarkista ennen työn aloittamista, että työkalu on toimintakunnossa ja turvamääräysten mukainen. Varmista erikseen, että:
 - pysäytysjarru toimii moitteettomasti;
 - terälevy ja hammaspyörän kotelo ovat paikoillaan;
 - ketju on teroitettu ja kiristetty ohjeiden mukaan.
2. Älä käynnistä työkalua, kun ketjun suojus on paikallaan. Jos työkalu käynnistetään, kun teräketjun suojus on paikallaan, suojus voi lennähtää eteenpäin ja aiheuttaa henkilövahinkoja tai aineellisia vahinkoja.
3. Älä seiso suoraan sahattavan oksan alapuolella. Varo putoavia oksia.
4. Älä käytä työkalua huonoissa sääolosuhteissa tai jos on olemassa salamankun vaara.
5. Kun käytät työkalua mutaisessa maastossa, märässä rinteessä tai liukkaassa paikassa, kiinnitä erityistä huomiota hyvän tasapainon säilyttämiseen.

Sähköturvallisuus ja akku

1. Vältä vaarallisia ympäristöjä. Älä käytä työkalua kosteissa tai märissä paikoissa äläkä altista sitä sateelle. Työkalun sisään päässyt vesi lisää sähköiskun vaaraa.
2. Älä hävitä akkua polttamalla. Akkukenko voi räjähtää. Tarkista, onko paikallisissa määräyksissä erityisiä laitteita koskevia hävitysohjeita.
3. Älä avaa tai riko akkuja. Akusta mahdollisesti vuotava elektrolyytti on syövyttävää ja saattaa vaurioittaa ihoa tai silmiä. Se saattaa olla myrkyllistä nieltynä.
4. Älä lataa akkua sateessa tai kosteissa olosuhteissa.
5. Älä lataa akkua ulkona.
6. Älä käsittele laturia tai sen liitinosaa ja latausliittimiä märin käsin.
7. Älä vaihda akkua märin käsin.
8. Älä jätä akkua sateeseen äläkä lataa, käytä tai säilytä akkua kosteassa tai märässä paikassa.
9. Älä kastele akun liitäntää nesteellä, kuten vedellä, tai upota sitä nesteeseen. Jos liitäntä kastuu tai nestettä pääsee akun sisään, akku voi joutua oikosulkuun, mikä aiheuttaa ylikuumentumisen, tulipalon tai räjähdysvaaran.
10. Kun olet irrottanut akun työkalusta tai laturista, muista kiinnittää akkuun sen suojus ja säilyttää akku kuivassa paikassa.
11. Jos akkupakkaus on kastunut, valuta sisään päässyt vesi ulos ja pyyhi akkupakkaus kuivalla liinalla. Kuivaa akkupakkaus huolellisesti kuivassa paikassa ennen käyttöä.

SÄILYTÄ NÄMÄ OHJEET.

VAROITUS: ÄLÄ anna työkalun helppokäyttöisyyden (toistuvan käytön aikaansaama) johtaa sinua väärään turvallisuuden tunteeseen niin, että laiminlyöt työkalun turvaohjeiden noudattamisen. VÄÄRINKÄYTTÖ tai tässä käyttöohjeessa ilmoitettujen turvamääräysten laiminlyönti voi aiheuttaa vakavia henkilövahinkoja.

Akkupakettia koskevia tärkeitä turvaohjeita

1. Ennen akun käyttöönottoa tutustu kaikkiin laturissa (1), akussa (2) ja akkukäyttöisessä tuotteessa (3) oleviin varoitusteksteihin.
 2. Älä pura tai peukaloi imuria akkupakettia. Se voi johtaa tulipaloon, ylikuumentumiseen tai räjähdykseen.
 3. Jos akun toiminta-aika lyhenee merkittävästi, lopeta akun käyttö. Seurauksena voi olla ylikuumentuminen, palovammoja tai jopa räjähdys.
 4. Jos akkunestettä pääsee silmiin, huuhtele puhtaalla vedellä ja hakeudu välittömästi lääkärin hoitoon. Akkuneste voi aiheuttaa näön menetyksen.
 5. Älä oikosulje akkua.
 - (1) Älä koske akun napoihin millään sähköä johtavalla materiaaliilla.
 - (2) Vältä akun oikosulkemista äläkä säilytä akkua yhdessä muiden metalliesineiden, kuten naulojen, kolikoiden ja niin edelleen kanssa.
 - (3) Älä aseta akkua alttiiksi vedelle tai sateelle.
- Oikosulku voi aiheuttaa virtapiikin, ylikuumentumista, palovammoja tai laitteen rikkoontumisen.
6. Älä säilytä ja käytä työkalua ja akkupakettia paikassa, jossa lämpötila voi nousta 50 °C:een (122 °F) tai korkeammaksi.
 7. Älä hävitä akkua polttamalla, vaikka se olisi pahoin vaurioitunut tai täysin loppuun kulunut. Avotuli voi aiheuttaa akun räjähtämisen.
 8. Älä naulaa, leikkaa, purista, heitä tai pudota akkupakettia tai iske sitä kovia esineitä vasten. Tällaiset toimet voivat johtaa tulipaloon, ylikuumentumiseen tai räjähdykseen.
 9. Älä käytä viallista akkua.
 10. Sisältyviä litium-ioni-akkuja koskevat vaarallisten aineiden lainsäädännön vaatimukset. Esimerkiksi kolmansien osapuolten huolintaliikkeiden tulee kaupallisissa kuljetuksissa noudattaa pakkaamista ja merkintöjä koskevia erityisvaatimuksia. Lähetettävän tuotteen valmistelu edellyttää vaarallisten aineiden asiantuntijan neuvontaa. Huomioi myös mahdollisesti yksityiskohtaisemmat kansalliset määräykset Akun voimot liittimet tulee suojata teipillä tai suojuksella ja pakkaaminen tulee tehdä niin, ettei akku voi liikkua pakkauksessa.
 11. Kun akkupaketti on hävitettävä, poista se laitteesta ja hävitä se turvallisesti. Hävitä akku paikallisten määräysten mukaisesti.
 12. Käytä akkuja vain Makitan ilmoittamien tuotteiden kanssa. Akkujen asentaminen yhteensopimattomiin tuotteisiin voi aiheuttaa tulipalon, liiallisen ylikuumentumisen, räjähdysvaaran tai akkunestevuotoja.
 13. Jos laitetta ei käytetä pitkään aikaan, akku on poistettava laitteesta.
 14. Akkupaketin lämpötila voi käytön aikana ja sen jälkeen nousta niin kuumaksi, että se voi aiheuttaa palovammoja tai lieviä palovammoja. Käsittele kuumia akkupaketteja huolellisesti.
 15. Älä kosketa työkalun liittintä välittömästi käytön jälkeen, sillä se voi olla irroitettävän kuuma aiheuttamaan palovammoja.

16. Älä päästä lastuja, pölyä tai maata akkupaketin liittimiin, aukkoihin ja uriin. Se voi johtaa työkalun tai akkupaketin lämpenemiseen, syttymiseen, purkautumiseen tai toimintahäiriöön, mikä voi aiheuttaa palovammoja tai vammoja.
17. Ellei työkalu tue käyttöä korkeajännitelinjojen lähellä, älä käytä akkupakettia korkeajännitelinjojen lähellä. Se voi johtaa työkalun tai akkupaketin toimintahäiriöön tai rikkoutumiseen.
18. Pidä akku poissa lasten ulottuvilta.

SÄILYTÄ NÄMÄ OHJEET.

⚠HUOMIO: Käytä vain alkuperäisiä Makita-akkuja. Muiden kuin aitojen Makita-akkujen, tai mahdollisesti muutettujen akkujen käyttö voi johtaa akun murtumiseen ja aiheuttaa tulipaloja, henkilö- ja omaisuusvahinkoja. Se mitätöi myös Makita-työkalun ja -laturin Makita-takuun.

Vihjeitä akun käyttöön pidentämiseksi

1. Lataa akku ennen kuin se purkautuu täysin. Lopeta aina työkalun käyttö ja lataa akku, jos huomaat työkalun tehon vähenevän.
2. Älä koskaan lataa uudestaan täysin ladattua akkua. Yliilataaminen lyhentää akun käyttöikää.
3. Lataa akku huoneen lämpötilassa välillä 10 °C - 40 °C. Anna kuuman akun jäähtyä ennen lataamista.
4. Irrota akkupaketti työkalusta tai laturista, kun sitä ei käytetä.
5. Lataa akkupaketti, jos et käytä sitä pitkään aikaan (yli kuusi kuukautta).

OSIEN KUVAUS

► Kuva2

1	Apukahva	2	Turvasuojus	3	Teräketju
4	Terälevy	5	Öljysäiliön korkki	6	Terälevyn suojus
7	Hammaspöyrän kotelo	8	Lukitusvipu	9	Takakahva
10	Liipaisinkytkin	11	Vipu	12	Akkupaketti

TOIMINTOJEN KUVAUS

⚠HUOMIO: Varmista aina ennen säätöjä ja tarkastuksia, että työkalu on sammutettu ja akkupaketti irrotettu.

Akun asentaminen tai irrottaminen

⚠HUOMIO: Sammuta työkalu aina ennen akun kiinnittämistä tai irrottamista.

⚠HUOMIO: Pidä työkalusta ja akusta tiukasti kiinni, kun irrotat tai kiinnität akkua. Jos akkupaketti tai työkalu putoaa, ne voivat vaurioitua tai aiheuttaa tapaturman.

► Kuva3: 1. Punainen ilmaisim 2. Painike 3. Akkupaketti

Irrota akku painamalla akun etupuolella olevaa painiketta ja vetämällä akku ulos työkalusta.

Akkupaketti asetetaan paikalleen sovittamalla akkupaketin kieleke rungon uraan ja työntämällä se sitten paikalleen. Työnnä se pohjaan asti niin, että kuulet sen napsahtavan paikoilleen. Jos näet kuvan mukaisen punaisen ilmaisimen, lukitus ei ole täysin pitävä.

⚠HUOMIO: Työnnä akkupaketti aina pohjaan asti, niin että punainen ilmaisim ei enää näy. Jos akkupaketti ei ole kunnolla paikallaan, se voi pudota työkalusta ja aiheuttaa vammoja joko sinulle tai sivullisille.

⚠HUOMIO: Älä käytä voimaa akun asennuksessa. Jos akku ei liu'u paikalleen helposti, se on väärässä asennossa.

Akun jäljellä olevan varaustason ilmaisim

Vain akkupaketeille ilmaisimella

► Kuva4: 1. Merkkivalot 2. Tarkistuspainike

Painamalla tarkistuspainiketta saat näkyviin akun jäljellä olevan varaustason. Merkkivalot palavat muutaman sekunnin ajan.

Merkkivalot			Akussa jäljellä olevan varaustason kuvaus
Palaa	Pois päältä	Viilkuu	
■ ■ ■ ■			75% - 100%
■ ■ ■ □			50% - 75%
■ ■ □ □			25% - 50%
■ □ □ □			0% - 25%
▬ □ □ □			Lataa akku.
■ □ □ □			Akussa on saattanut olla toimintahäiriö.
□ □ □ ■			

HUOMAA: Ilmoitettu varaustaso voi erota hieman todellisesta varaustasosta sen mukaan, millaisissa oloissa ja missä lämpötilassa laitetta käytetään.

HUOMAA: Ensimmäinen (vasemmanpuoleisin) merkkivalo vilkkuu, kun akun suojausjärjestelmä on toiminnassa.

Työkalun/akun suojausjärjestelmä

Työkalu on varustettu työkalu/akun suojausjärjestelmällä. Tämä järjestelmä pidentää työkalun ja akun käyttöikää katkaisemalla automaattisesti moottorin virran. Työkalu pysähtyy automaattisesti kesken käytön, jos työkalussa tai akussa ilmenee jokin seuraavista tilanteista:

Ylikuormitusuoja

Kun työkalua tai akkua käytetään tavalla, joka saa sen kuluttamaan epätavallisen suuren määrän virtaa, työkalu pysähtyy automaattisesti. Katkaise tässä tilanteessa työkalusta virta ja lopeta työkalun ylikuormitustilan aiheuttanut käyttö. Käynnistä sitten työkalu uudelleen kytkemällä siihen virta.

Ylikuumenemissuoja

Kun työkalu tai akku ylikuumentuu, työkalu pysähtyy automaattisesti. Anna tällöin työkalun ja akun jäähtyä, ennen kuin kytket työkaluun uudelleen virran.

Ylipurkautumissuoja

Kun akun varaus on riittämätön, työkalu pysähtyy automaattisesti. Irrota silloin akku työkalusta ja lataa se.

Kytkimen käyttäminen

VAROITUS: Käyttäjän turvallisuuden vuoksi työkalussa on lukitusvipu, joka estää sen käynnistämisen vahingossa. **ÄLÄ** koskaan käytä työkalua, jos se käynnistyy pelkästään liipaisinkytkintä painamalla ilman, että lukitusvipua painetaan. Toimita työkalu valtuutettuun huoltoon korjattavaksi **ENNEN** kuin jatkat käyttöä.

VAROITUS: **ÄLÄ** koskaan teippaa tai ohita lukitusvipua.

HUOMIO: Tarkista aina ennen akkupaketin asettamista työkaluun, että liipaisinkytkin kytkeytyy oikein ja palaa ”OFF”-asentoon, kun se vapautetaan.

HUOMAUTUS: Älä vedä liipaisinkytkimestä voimakkaasti, ellei samalla paina lukituksen vapautusvivusta. Kytkin voi rikkoutua.

Laitteessa on lukitusvipu, joka estää liipaisinkytkimen painamisen vahingossa. Käynnistä työkalu painamalla lukitusvipua ja vetämällä liipaisinkytkintä. Pysäytä vapauttamalla liipaisinkytkin.

► **Kuva5:** 1. Liipaisinkytkin 2. Lukitusvipu

Pysäytysjarrun toiminnon tarkastaminen

HUOMIO: Jos teräketju ei testatessa pysähdy heti kahden sekunnin kuluessa, lopeta työkalun käyttö ja ota yhteys valtuutettuun huoltoilikkeeseen.

Käytä työkalua ja vapauta sitten liipaisinkytkin kokonaan. Teräketjun pitäisi pysähtyä kahdessa sekunnissa.

KOKOONPANO

HUOMIO: Varmista aina ennen mitään työkäluulle tehtäviä toimenpiteitä, että se on sammutettu ja akku irrotettu.

HUOMIO: Älä koske teräketjuun paljain käsin. Käytä aina suojakäsineitä, kun käsittelet terää.

Teräketjun irrotus ja asennus

HUOMIO: Teräketju ja terälevy ovat käytön jälkeen kuumia. Anna niiden jäähtyä riittävästi, ennen kuin teet työkalulle mitään huoltotoimenpiteitä.

HUOMIO: Kiinnitä ja irrota ketju puhtaassa tilassa, jossa ei ole sahanpurua tms.

Teräketjun irrottaminen

Irrota ketju toimimalla seuraavasti:

1. Vedä vipu ylös.

► **Kuva6:** 1. Vipu

2. Käännä vipua vastapäivään, kunnes hammaspyörän kotelo irtaa.

► **Kuva7:** 1. Hammaspyörän kotelo 2. Vipu

3. Irrota hammaspyörän kotelo ja irrota sitten teräketju ja terälevy työkalun rungosta.

Teräketjun asentaminen

Kiinnitä ketju toimimalla seuraavasti:

1. Vedä vipu ylös.

► **Kuva8:** 1. Vipu

2. Käännä vipua vastapäivään, kunnes hammaspyörän kotelo irtaa.

► **Kuva9:** 1. Vipu 2. Hammaspyörän kotelo

3. Irrota hammaspyörän kotelo.

4. Kohdistat terälevyn reikä työkalun rungon tappiin ja aseta sitten terälevy kuvan mukaisesti.

► **Kuva10:** 1. Terälevy 2. Reikä 3. Tappi

5. Lukitse tappi liu'uttamalla terälevyä kohti hammaspyörää.

► **Kuva11:** 1. Terälevy 2. Tappi

6. Irrota terälevy työkalun rungosta.

7. Tarkista teräketjun suunta. Sovita teräketjun suunta työkalun rungossa olevan merkin mukaiseksi.

► **Kuva12:** 1. Työkalun rungossa oleva merkki

8. Aseta teräketju toinen pää terälevylle.

9. Aseta teräketjun toinen pää hammaspyörän ympärille, kiinnitä sitten terälevy työkalun runkoon niin, että terälevyn reikä on kohdistettu ketjusahan rungossa olevaan tappiin.

► **Kuva13:** 1. Hammaspyörä

Vie ennen työkalun käynnistämistä terälevyn kanta ja työkalun rungon tukiosa kosketuksiin sahattavan oksan kanssa kuvan mukaisesti. Kun kosketat oksaa työkalulla ja terälevyllä, käynnistä työkalu ja sahaa oksa siirtämällä työkalua alaspäin oksaa pitkin.

► Kuva24

▲HUOMIO: Varmista ennen sahaamista, että sahattava oksa koskettaa terälevyn kantaa ja työkalun rungon tukiosaa. Muuten työkalua saatetaan vetää kohti terälevyn kärkeä ja levy saattaa vaappua, mistä voi seurata vammoja.

Koneen kantaminen

Ennen kuin kannat työkalua, irrota akkupaketti aina työkalusta. Kiinnitä sitten terälevyn suojus. Peitä myös akkupaketti sen suojuksella.

► Kuva25: 1. Terälevyn suojus 2. Akun suojus

KUNNOSSAPITO

▲HUOMIO: Varmista aina ennen tarkastusta tai huoltoa, että työkalu on sammutettu ja akku irrotettu.

▲HUOMIO: Käytä aina suojakäsineitä, kun tarkastat laitetta tai teet huoltotyötä.

HUOMAUTUS: Älä koskaan käytä bensiiniä, ohenteita, alkoholia tai tms. aineita. Muutoin pinta voi halkeilla tai sen värit ja muoto voivat muuttua. Muutoin laitteeseen voi tulla värjäytymiä, muodon vääristymiä tai halkeamia.

Tuotteen TURVALLISUUDEN ja LUOTETTAVUUDEN takaamiseksi korjaukset, muut huoltotyöt ja säädöt on teetettävä Makitan valtuutetussa huoltopisteessä Makitan varaosia käyttäen.

Ketjun teroitus

Teroita ketju, kun:

- Kostea puuta sahatessa syntyy jauhomaista sahajauhoa;
- Ketju tunkeutuu puuhun heikosti, vaikka sahaa painettaisiin voimakkaasti;
- Leikkureuna on selvästi vaurioitunut;
- Saha vetää puussa vasemmalle tai oikealle. (tähän on synnä ketjun epätasainen teroitus tai toisen puolen vaurioituminen)

Teroita ketju säännöllisesti, mutta poista vain vähän materiaalia kerrallaan. Kaksi tai kolme viilan vetoa tavallisesti riittää tavanomaisessa teroituksessa. Kun olet teroittanut ketjun useaan kertaan, teroituta se valtuutetussa huoltoliikkeessä.

Teroituskriteerit:

▲VAROITUS: Suuri etäisyys leikkausterän ja syvyydensäätöhampaan välillä lisää takapotkun vaaraa.

► Kuva26: 1. Leikkauspituus 2. Etäisyys leikkausterän ja syvyydensäätöhampaan välillä 3. Minimileikkauspituus (3 mm)

- Kaikkien hampaiden täytyy olla yhtä pitkiä. Eripituiset hampaat estävät ketjua pyörimästä tasaisesti ja voivat aiheuttaa ketjun katkeamisen.
- Älä teroita ketjua, kun hampaan pituus on 3 mm tai lyhyempi. Ketju on vaihdettava uuteen.
- Lastun paksuuden määrää syvyydensäätöhampaan (pyöreä kärki) ja leikkureunan välinen etäisyys.
- Paras sahaustulos saadaan, kun leikkuterän ja syvyydensäätöhampaan välinen etäisyys on seuraava.
 - Ketjuterä 80TXL : 0,65 mm

► Kuva27

- Kaikkien hampaiden teroituskulman täytyy olla 30 astetta. Kulmapoikkeamat saavat ketjun pyörimään epätasaisesti, lisäävät kulumista ja aiheuttavat ketjujen katkeamisen.
- Käytä sopivaa pyöreää viilaa, jotta oikea teroituskulma pidetään hampaassa.
 - Ketjuterä 80TXL : 55°

Viila ja viilan opaste

- Käytä ketjun teroitukseen pyöreää erikoisviilaa (lisävaruste). Tavanomaiset pyöreät viilat eivät sovi tähän tarkoitukseen.
- Pyöreän viilan läpimitat kullekin ketjulle ovat seuraavat:
 - Ketjuterä 80TXL : 4,0 mm
- Viila saa ottaa hampaaseen vain eteenpäin suuntautuvalla vedolla. Nosta viila irti hampaasta paluuviedolla.
- Teroita lyhyin hammas ensimmäiseksi. Tämän hampaan pituutta käytetään sitten ketjun muiden hampaiden mittana.
- Ohjaa viilaa kuvan osoittamalla tavalla.

► Kuva28: 1. Viila 2. Teräketju

- Viilan ohjaaminen helpottuu, jos käytetään viilaohjainta (lisävaruste). Oikea 30° teroituskulma on merkitty viilaohjaimen (kohdista merkinnät niin, että ne ovat yksisuuntaisia teräketjun kanssa). Ohjain rajoittaa myös tunkeumasyvyyden oikeaksi (4/5 viilan halkaisijasta).

► Kuva29: 1. Viilan pidike

- Teroituksen jälkeen tarkista syvyydensäätöhampaan korkeus ketjunmittaustyökalulla (lisävaruste).

► Kuva30

- Poista kaikki, myös aivan vähäinen ulkoneva aines erikoislattaviilalla (lisävaruste).
- Pyöristä syvyydensäätöhampaan etuosa uudelleen.

Terälevyn puhdistus

Lastut ja sahanpuru kerääntyvät terälevyvuuraan. Ne tukkivat sen ja heikentävät öljyn virtauksen. Puhdista saha aina lastuista ja sahanpuruista sahan teroituksen tai ketjunvaihdon yhteydessä.

► Kuva31

Hammaspyörän kotelon puhdistaminen

Lastut ja sahanpuru kerääntyy hammaspyörän koteloon. Irrota hammaspyörän kotelo ja teräketju työkalusta ja poista lastut ja sahanpuru.

► **Kuva32**

Öljynpäästöaukon puhdistus

Öljynpäästöaukkoon saattaa kerääntyä käytön aikana hienojakoista pölyä tai muita hiukkasia. Öljysuodattimessa kerääntynyt vähäinen pöly tai muut hiukkaset saattavat heikentää päästövirtaa ja aiheuttaa sahalle riittämättömän voitelun. Jos terälevyn kärkeen ei tule riittävästi öljyä, puhdista öljynpäästöaukko seuraavasti.

1. Poista hammaspyörän kotelo ja ketju työkalusta.
2. Poista hienojakoinen pöly tai hiukkaset tasapääruuvitalalla tai vastaavalla.
► **Kuva33:** 1. Ristipääruuvitalta 2. Öljynpoistoaukko
3. Kiinnitä akkupaketti ketjusahaan. Vedä liipaisinkytkimestä, jotta kerääntynyt pöly tai muut hiukkaset voisivat virrata pois öljynpäästöaukosta ketjuöljyn vapauttaen.
4. Irrota akkupaketti työkalusta. Asenna hammaspyörän kotelo, teräketju ja terälevy takaisin työkaluun.

Määräaikaishuolto

Suorittamalla seuraavat huoltotoimenpiteet säännöllisesti voit varmistaa pitkän käyttöiän, ehkäistä vikoja ja varmistaa turvalaitteiden moitteettoman toiminnan. Takuu edellyttää, että huollot tehdään säännöllisesti ja ohjeiden mukaan. Huollon laiminlyönti voi aiheuttaa tapaturmavaaran! Työkalun käyttäjä ei saa tehdä huoltotöitä, joista ei ole ohjeistettu näissä käyttöohjeissa. Kaikki tällaiset huoltotyöt on teetettävä valtuutetussa huoltoliikkeessä.

Tarkistettava kohde / käyttöaika		Ennen käyttöä	Päivittäin	Kerran viikossa	3 kuukauden välein	Kerran vuodessa	Ennen varastointia
Koko työkalu	Tarkastus.	✓	-	-	-	-	-
	Puhdistus.	-	✓	-	-	-	-
	Ota yhteys valtuutettuun huoltoliikkeeseen.	-	-	-	-	✓	✓
Teräketju	Tarkastus.	✓	-	-	-	-	-
	Teroita tarvittaessa.	-	-	-	-	-	✓
Terälevy	Tarkastus.	✓	✓	-	-	-	-
	Irrota työkalusta.	-	-	-	-	-	✓
Ketjun voitelu	Tarkista öljynsyöttömäärä.	✓	-	-	-	-	-
Liipaisinkytkin	Tarkastus.	✓	-	-	-	-	-
Lukitusvipu	Tarkastus.	✓	-	-	-	-	-
Öljysäiliön korkki	Tarkista kireys.	✓	-	-	-	-	-
Ruuvit ja mutterit	Tarkastus.	-	-	✓	-	-	-

Hammaspyörän vaihtaminen

⚠HUOMIO: Kulunut hammaspyörä vahingoittaa uutta teräketjua. Tässä tapauksessa vaihda kulunut hammaspyörä.

Ennen uuden ketjun kiinnitystä tarkista hammaspyörän kunto.

► **Kuva34:** 1. Hammaspyörä 2. Kuluvat alueet

Vaihda myös lukitusrengas hammaspyörän vaihdon yhteydessä.

► **Kuva35:** 1. Lukitusrengas 2. Hammaspyörä

HUOMAUTUS: Varmista, että hammaspyörä asennetaan kuvan esittämällä tavalla.

Työkalun säilyttäminen

1. Puhdista ketjusaha ennen säilytystä. Poista kaikki lastut ja sahanpurut ketjusahasta hammaspyörän suojuksen poistamisen jälkeen.
2. Kun olet puhdistanut sahan, käytä sitä ilman kuormaa, jotta öljy levittyy terälevyn ja ketjuun.
3. Aseta terälevyn suojus paikalleen terälevyn päälle.
4. Tyhjennä öljysäiliö.

VIANMÄÄRITYS

Tarkista laite ensin itse, ennen kuin viet sen korjattavaksi. Jos ongelmaan ei löydy ratkaisua käyttöoppaasta, älä kuitenkaan yritä purkaa työkalua osiin. Ota sen sijaan yhteyttä Makita-huoltoliikkeeseen. Käytä korjaamiseen aina alkuperäisiä Makita-varaosia.

Toimintahäiriö	Syy	Toimenpide
Työkalu ei käynnisty.	Akkupakettia ei ole asennettu.	Asenna ladattu akkupaketti paikalleen.
	Akkuongelma (alijännite).	Lataa akkupaketti. Jos lataaminen ei toimi, vaihda akkupaketti.
Moottori pysähtyy lyhyen käytön jälkeen.	Akun varaustila on alhainen.	Lataa akkupaketti. Jos lataaminen ei toimi, vaihda akkupaketti.
Ketjussa ei ole öljyä.	Öljysäiliö tyhjä.	Täytä öljysäiliö.
	Öljyn syöttöura on liikainen.	Puhdista ura.
Työkalu ei saavuta suurinta käyntinopeutta.	Akkupaketti on asennettu väärin.	Asenna akkupaketti tämän käyttöohjeen ohjeiden mukaan.
	Akun teho laskee.	Lataa akkupaketti. Jos lataaminen ei toimi tehokkaasti, vaihda akkupakettia.
	Vetojärjestelmä ei toimi oikein.	Pyydä valtuutettua paikallista huoltoliikettä korjaamaan laite.
Epänormaali värinä: Pysäytä työkalu heti!	Löysää terälevyä tai teräketjua.	Säädä terälevyä ja teräketjun kireyttä.
	Työkalun toimintahäiriö.	Pyydä valtuutettua paikallista huoltoliikettä korjaamaan laite.
Teräketjun asentaminen ei onnistu.	Teräketjun ja hammaspyörän yhdistelmä ei ole oikea.	Tarkista oikeat teräketjun ja hammaspyörän yhdistelmät teknisten tietojen osiosta ja käytä oikeaa yhdistelmää.

LISÄVARUSTEET

⚠HUOMIO: Seuraavia lisävarusteita tai laitteita suositellaan käytettäväksi tässä ohjeessa kuvatun Makita-työkalun kanssa. Muiden lisävarusteiden tai laitteiden käyttö voi aiheuttaa henkilövahinkoja. Käytä lisävarusteita ja -laitteita vain niiden käyttötarkoituksen mukaisesti.

Jos tarvitset apua tai yksityiskohtaisempia tietoja seuraavista lisävarusteista, ota yhteys paikalliseen Makitan huoltoon.

- Teräketju
- Terälevy
- Terälevyn suojus
- Viila
- Työkalulaukku
- Aito Makita-akku ja -laturi

HUOMAA: Jotkin luettelossa mainitut varusteet voivat sisältyä työkalun toimitukseen vakiovarusteina. Ne voivat vaihdella maittain.

SPECIFIKATIONER

Model:		DUC101
Samlet længde (uden sværd og batteri)		357 mm
Nominel spænding		D.C. 18 V
Nettovægt	*1	1,1 kg
	*2	1,6 - 2,0 kg
Længde af standardsværd		100 mm
Anbefalet sværdlængde		100 mm
Anvendelig savkædetype (se tabellen nedenfor)		80TXL
Kædehjul	Antal tænder	7
	Tandafstand	0,325"
Kædehastighed		0 - 8,0 m/s (0 - 480 m/min)
Volumen af kædeolietank		55 cm ³

- På grund af vores kontinuerlige forsknings- og udviklingsprogrammer kan hosstående specifikationer blive ændret uden varsel.
- Specifikationer kan variere fra land til land.
- *1: Vægt uden savkæde, sværd, sværdbeskytter, olie og akku(er).
- *2: Den letteste og tungeste kombination af vægt i henhold til EPTA-proceduren 01/2014. Vægten kan variere afhængigt af tilbehøret, inklusive akkuen/akkuer.

Kombination af savkæde, sværd og kædehjul

Savkædetype		80TXL
Antal drivled		26
Sværd	Længde af sværd	100 mm
	Snitlængde	111 mm
	Tandafstand	0,325"
	Afstand	1,1 mm
	Type	Sværd med hård næse
Kædehjul	Antal tænder	7
	Tandafstand	0,325"

⚠ ADVARSEL: Brug en passende kombination af sværd og savkæde. I modsat fald kan det medføre tilskadekomst.

Anvendelig akku og oplader

Akku	BL1815N / BL1820B / BL1830B / BL1840B / BL1850B / BL1860B
Oplader	DC18RC / DC18RD / DC18RE / DC18SD / DC18SE / DC18SF / DC18SH / DC18WC

- Nogle af de akkuer og opladere, der er angivet ovenfor, er muligvis ikke tilgængelige, afhængigt af hvilket område du bor i.

⚠ ADVARSEL: Brug kun de akkuer og opladere, der er angivet ovenfor. Brug af andre akkuer og opladere kan medføre personskaade og/eller brand.











Anbefalet ledningstilsluttet strømforsyningskilde

Bærbart strømforsyning	PDC01
------------------------	-------

- Den eller de ovenfor anførte ledningstilsluttede strømforsyningskilder er muligvis ikke tilgængelige, afhængigt af hvilket område du bor i.
- Inden du bruger den ledningstilsluttede strømforsyningskilde, skal du læse instruktionen og advarselmærkerne på dem.

Symboler

Følgende viser de symboler, der muligvis anvendes til udstyret. Sørg for, at du forstår deres betydning før brugen.

	Læs brugsanvisningen.
	Brug sikkerhedsbriller og høreværn.
	Brug altid to hænder, når du betjener maskinen.
	Pas på tilbageslag, og undgå kontakt med sværdets spids.
	Må ikke udsættes for fugt.
	Maks. tilladt skærelængde
	Retning af kædens bevægelse
	Kun for lande inden for EU På grund af tilstedeværelsen af farlige komponenter i udstyret kan affald af elektrisk og elektronisk udstyr, akkumulatører og batterier have en negativ indvirkning på miljøet og folkesundheden. Bortskaf ikke elektriske og elektroniske apparater eller batterier sammen med husholdningsaffald! I overensstemmelse med EF-direktiv om affaldshåndtering af elektrisk og elektronisk udstyr og om akkumulatører og batterier og affaldsakkumulatører og -batterier, og i overensstemmelse med national lovgivning, skal brugt elektrisk udstyr, batterier og akkumulatører opbevares separat og leveres til et separat indsamlingssted for kommunalt affald, der er etableret i henhold til bestemmelserne om miljøbeskyttelse. Dette er angivet ved symbolet på den krydsede skraldespand, der er placeret på udstyret.
	Garanteret lydeffektniveau i henhold til EU-direktivet om maskiner til udendørs brug.
	Lydeffektniveau i henhold til Australiens NSW forordning om støjemission

Tilsløbet anvendelse

Denne maskine er beregnet til at skære grene af træer eller buske ved hjælp af en savkæde.

Støj

Det typiske A-vægtede støjniveau bestemt i overensstemmelse med EN62841-4-1:
Lydtryksniveau (L_{pA}): 76 dB (A)
Lydeffektniveau (L_{WA}): 87 dB (A)
Usikkerhed (K): 3 dB (A)

BEMÆRK: De(n) angivne støjemissionsværdi(er) er målt i overensstemmelse med en standardtestmetode og kan anvendes til at sammenligne en maskine med en anden.

BEMÆRK: De(n) angivne støjemissionsværdi(er) kan også anvendes i en præliminær eksponeringsvurdering.

⚠ ADVARSEL: Bær høreværn.

⚠ ADVARSEL: Støjemissionen under den faktiske anvendelse af maskinen kan være forskellig fra de(n) angivne værdi(er), afhængigt af den måde hvorpå maskinen anvendes, især den type arbejdsømne der behandles.

⚠ ADVARSEL: Sørg for at identificere de sikkerhedsforskrifter til beskyttelse af operatøren, som er baseret på en vurdering af eksponering under de faktiske brugsforhold (med hensyntagen til alle dele i brugscyklussen, f.eks. de gange, hvor maskinen er slukket, og når den kører i tomgang i tilgift til afbrydertiden).

Vibration

Vibrationens totalværdi (tre-aksial vektorsum) bestemt i overensstemmelse med EN62841-4-1:

Arbejdstilstand: skæring i træ

Vibrationsemission ($a_{h,W}$): 4,6 m/s²

Usikkerhed (K): 1,5 m/s²

BEMÆRK: De(n) angivne totalværdi(er) for vibration er målt i overensstemmelse med en standardtestmetode og kan anvendes til at sammenligne en maskine med en anden.

BEMÆRK: De(n) angivne totalværdi(er) for vibration kan også anvendes i en præliminær eksponeringsvurdering.

⚠ ADVARSEL: Vibrationsemissionen under den faktiske anvendelse af maskinen kan være forskellig fra de(n) angivne værdi(er), afhængigt af den måde hvorpå maskinen anvendes, især den type arbejdsømne der behandles.

⚠ ADVARSEL: Sørg for at identificere de sikkerhedsforskrifter til beskyttelse af operatøren, som er baseret på en vurdering af eksponering under de faktiske brugsforhold (med hensyntagen til alle dele i brugscyklussen, f.eks. de gange, hvor maskinen er slukket, og når den kører i tomgang i tilgift til afbrydertiden).

Overensstemmelseserklæringer

Kun for lande i Europa

Overensstemmelseserklæringerne er inkluderet i Bilag A i denne brugsanvisning.

SIKKERHEDSADVARSLER

Almindelige sikkerhedsregler for el-værktøj

⚠ ADVARSEL Læs alle sikkerhedsadvarsler, instruktioner, illustrationer og specifikationer, der følger med denne maskine. Hvis du ikke følger alle nedenstående instruktioner, kan det medføre elektrisk stød, brand og/eller alvorlig personskade.

Gem alle advarsler og instruktioner til fremtidig reference.

Ordet "el-værktøj" i advarslerne henviser til det netforsyede (netledning) el-værktøj eller batteriforsyede (akku) el-værktøj.

Generelle sikkerhedsadvarsler for beskæringssav

- Hold alle kroppsdele væk fra savkæden, når beskæringssaven er i brug. Før du starter beskæringssaven, skal du sørge for, at savkæden ikke kommer i kontakt med noget.** Et øjebliklig uopmærksomhed under anvendelse af beskæringssave kan medføre, at tøj eller krop kan vikles ind i savkæden.
 - Hold altid beskæringssaven med den ene hånd på det bageste håndtag og den anden hånd på det ekstra håndtag.**
 - Hold kun i beskæringssaven i de isolerede grebflader, da savkæden kan komme i kontakt med skjulte ledninger.** Hvis savkæderne i kontakt med en "strømførende" ledning, kan de udsatte metaldele på beskæringssaven blive "strømførende", hvilket kan give operatøren et elektrisk stød.
 - Bær øjenværn. Anvendelse af yderligere beskyttelsesudstyr til hørelse, hoved, hænder, ben og fødder anbefales.** Eget beskyttelsesudstyr vil mindske personskader som følge af flyvende rester eller utilsigtet kontakt med savkæden.
 - Undlad at anvende en beskæringssav i et træ, på en stige, fra et tag eller på et ustabilt underlag.** Anvendelse af en beskæringssav på denne måde kan medføre alvorlig personskade.
 - Hold altid et god fodfæste, og anvend kun beskæringssaven, når du står på en fast, sikker og plan overflade.** Glatte eller ustabile overflader kan medføre tab af balance eller kontrol over beskæringssaven.
 - Når du skærer en gren, der er i spænd, skal du være opmærksom på, om den springer tilbage.** Når spændingen i træfibrene udløses, kan den fjederbelastede gren ramme operatøren og/eller kaste beskæringssaven ud af kontrol.
 - Udvis den største forsigtighed, når du skærer krat og unge træer.** Det tynde materiale kan blive fanget i savkæden og blive slynget mod dig eller kaste dig ud af balance.
- Bær beskæringssaven med den slukkede beskæringssav væk fra kroppen.** Når du transporterer eller opbevarer beskæringssaven, skal du altid montere sværdbeskytteren. Korrekt håndtering af beskæringssaven reducerer sandsynligheden for utilsigtet kontakt med den bevægelige savkæde.
 - Følg instruktionerne for smøring, kædespænding og udskiiftning af sværdet og kæden.** En ukorrekt spændt eller smurt kæde kan enten knække kæden eller øge risikoen for tilbageslag.
 - Skær kun i træ. Undlad at anvende beskæringssaven til andre formål end dem, den er beregnet til.** For eksempel: Undlad at anvende beskæringssaven til at skære i metal, plast, murværk eller andre byggematerialer end træ. Anvendelse af beskæringssaven til andre opgaver end dem, den er beregnet til, kan medføre en farlig situation.
 - Denne beskæringssav er ikke beregnet til træfældning.** Anvendelse af beskæringssaven til andre opgaver end dem, den er beregnet til, kan medføre alvorlig personskade for operatøren eller andre personer, der står i nærheden.
 - Følg alle instruktioner, når du fjerner fastklemt materiale, opbevarer eller servicerer beskæringssaven. Sørg for, at afbryderen er slukket, og at batteripakken er afmonteret.**
 - Årsager til tilbageslag, og hvordan operatøren kan forhindre det:**

Tilbageslag kan opstå, hvis næsen eller spidsen af sværdet berører en genstand, eller hvis træet lukker sammen og klemmer savkæden fast i snittet. Spidskontakt kan i nogle tilfælde forårsage en pludselig baglæns reaktion, hvorved sværdet trykkes op og tilbage mod operatøren. Hvis savkæden klemmes langs sværdets overside, kan det skubbe sværdet hurtigt tilbage mod operatøren.

Begge disse reaktioner kan medføre, at du mister kontrollen over saven, hvilket kan resultere i alvorlig personskade. Undlad at stole udelukkende på de sikkerhedsanordninger, der er indbygget i saven. Som bruger af en beskæringssav bør du træffe flere foranstaltninger for at undgå ulykker og skader i forbindelse med skærearbejdet.

Tilbageslag er resultatet af forkert anvendelse af beskæringssaven og/eller ukorrekte arbejdsprocedurer eller forhold og kan undgås ved at træffe de nødvendige forholdsregler som angivet nedenfor:

 - Hold godt fast med tommelfingre og fingre, der omslutter beskæringssavens håndtag, med begge hænder på saven, og placér kroppen og armen således, at du kan modstå tilbageslagskræfter.** Tilbageslagskræfter kan styres af operatøren, hvis der træffes passende forholdsregler. Undlad at give slip på beskæringssaven.
 - Undlad at række for langt, og undlad at skære over skulderhøjde.** Dette hjælper med at forhindre utilsigtet kontakt med spidsen og giver bedre kontrol over beskæringssaven i uventede situationer.

► Fig. 1

- Undlad at række for langt, og undlad at skære over skulderhøjde.** Dette hjælper med at forhindre utilsigtet kontakt med spidsen og giver bedre kontrol over beskæringssaven i uventede situationer.

- **Anvend kun de udskiftningssværd og -savkæder, der er angivet af producenten.** Forkerte udskiftningssværd og -savkæder kan forårsage brud på kæden og/eller tilbageslag.
 - **Følg fabrikantens anvisninger for slibning og vedligeholdelse af savkæden.** Mindskning af dybdemålerhøjden kan føre til øget tilbageslag.
15. **Følg alle instruktioner, når du fjerner fastklemt materiale, opbevarer eller servicerer beskæringssaven. Sørg for, at afbryderen er slukket, og at batteripakken er afmonteret.**

Yderligere sikkerhedsinstruktioner

Personligt beskyttelsesudstyr

1. Beklædningen skal være tætsiddende, men må ikke hindre mobiliteten.
2. Bær følgende beskyttelsesbeklædning under arbejdet:
 - En testet sikkerhedshjelm, hvis der er fare for nedfaldende grene eller lignende;
 - En ansigtsmaske eller beskyttelsesbriller;
 - Egnet høreværn (ørekopper, tilpassede eller formbare ørepropper). Oktav brand-analyse efter anmodning.
 - Faste sikkerhedshandsker af læder;
 - Lange bukser fremstillet af stærkt stof;
 - Beskyttelsesbukser fremstillet af skærefast stof;
 - Sikkerhedssko eller -støvler med skridsikre såler, stålsnuder og skærefast stofforing;
 - En åndedrætsmaske, når der udføres arbejde, der frembringer støv (f.eks. savning af tørt træ).

Drift

1. **Før du påbegynder arbejdet, skal du kontrollere, at maskinen er i korrekt funktionsdygtig stand, og at dens tilstand er i overensstemmelse med sikkerhedsforskrifterne. Kontrollér især, at:**
 - Stopbremsen fungerer ordentligt,
 - Sværdet og kædehjulsdækslet er korrekt monteret,
 - Kæden er blevet skærpet og spændt i overensstemmelse med regulativerne.
2. **Undlad at starte maskinen med kædedækslet er monteret på den.** Hvis maskinen startes med kædedækslet monteret på den, kan det medføre, at kædedækslet kastes fremad, hvilket kan medføre personskaade og skade på genstande omkring operatøren.
3. **Undlad at stå direkte under den grøn, der skæres over. Vær opmærksom på de nedfaldende grene.**
4. **Betjen ikke maskinen i dårligt vejr, eller hvis der er risiko for lynnedslag.**
5. **Vær opmærksom på dit fodfæste, når du bruger maskinen på mudret jord, en våd skråning eller et glat sted.**

Elektrisk sikkerhed og batterisikkerhed

1. **Undgå farlige miljøer. Brug ikke maskinen på fugtige eller våde steder, og udsæt den ikke for regn.** Hvis der kommer vand ind i maskinen, forøger det risikoen for elektrisk stød.
2. **Undlad at kaste batterierne i åben ild.** Cellen kan eksplodere. Tjek de lokale regler for eventuelle særlige instruktioner vedrørende bortskaffelse.
3. **Undlad at åbne eller mishandle batterierne.** Lækket elektrolyt er ætsende og kan medføre skader på øjnene eller huden. Den kan være giftig, hvis den indtages.
4. **Undlad at oplade batteriet i regnvejr eller under våde forhold.**
5. **Oplad ikke batteriet uden døre.**
6. **Håndter ikke oplader, herunder opladerstik, og opladerterminaler med våde hænder.**
7. **Undlad at udskifte batteriet med våde hænder.**
8. **Undlad at efterlade batteriet i regnvejr eller oplade, anvende eller opbevare batteriet på et fugtigt eller vådt sted.**
9. **Undlad at fugte batteriets terminal med væske såsom vand, og batteriet må ikke nedsænkes i væske.** Hvis terminalen bliver våd, eller der trænger væske ind i batteriet, kan batteriet kortsluttes, og der er risiko for overophedning, brand eller eksplosion.
10. **Når batteriet er blevet afmonteret fra maskinen eller opladeren, skal du sørge for at fastgøre batteridækslet til batteriet og opbevare det på et tørt sted.**
11. **Hvis akkuen bliver våd, skal du aftappe vandet indeni og derefter tørre den af med en tør klud. Tør akkuen helt på et tørt sted før brug.**

GEM DENNE BRUGSANVISNING.

⚠ ADVARSEL: LAD IKKE bekvemmelighed eller kendskab til produktet (opnået gennem gentagen brug) forhindre, at sikkerhedsforskrifterne for produktet nøje overholdes. MISBRUG eller forsummelse af at følge de i denne brugsvejledning givne sikkerhedsforskrifter kan føre til, at De kommer alvorligt til skade.

Vigtige sikkerhedsinstruktioner for akkuen

1. **Læs alle instruktioner og advarselmærkater på (1) akku-opladeren, (2) akkuen og (3) produktet, som anvender akku.**
2. **Adskil eller ændr ikke akkuen.** Det kan muligvis resultere i en brand, overdreven varme eller eksplosion.
3. **Hold straks op med anvendelsen, hvis brugstiden er blevet stærkt afkortet.** Fortsat anvendelse kan resultere i risiko for overophedning, forbrændinger og endog eksplosion.
4. **Hvis De har fået elektrolytvæske i øjnene, skal De straks skylle den ud med rent vand og derefter øjeblikkeligt søge lægehjælp.** I modsat fald kan De miste synet.

5. Vær påpasselig med ikke at komme til at kortslutte akkuen:
 - (1) Rør ikke ved terminalerne med noget ledende materiale.
 - (2) Undgå at opbevare akkuen i en beholder sammen med andre genstande af metal, for eksempel søm, mønter og lignende.
 - (3) Udsæt ikke akkuen for vand eller regn. Kortslutning af akkuen kan forårsage en kraftig øgning af strømmen, overophedning, mulige forbrændinger og endog værktøjstop.
6. Opbevar og brug ikke maskinen og akkuen på steder, hvor temperaturen muligvis kan nå eller overstige 50 °C.
7. Lad være med at brænde akkuen, selv ikke i tilfælde, hvor den har lidt alvorlig skade eller er fuldstændig udtjent. Akkuen kan eksplodere, hvis man forsøger at brænde den.
8. Slå ikke søm i, skær ikke i, knus, kast, tab ikke akkuen og stød ikke akkuen mod en hård genstand. Sådane adfærd kan muligvis resultere i en brand, overdreven varme eller eksplosion.
9. Anvend ikke en beskadiget akku.
10. De indbyggede litium-ion-batterier er underlagt lovkrav vedrørende farligt gods. Ved kommerciel transport, f.eks. af tredjeparts transportselskaber, skal særlige krav til forpakning og mærkning overholdes. Ved forberedelse af udstyret til forsendelse skal du kontakte en ekspert i farligt gods. Overhold også eventuel mere detaljeret national lovgivning. Tape eller tildæk åbne kontakter, og pak batteriet på en måde, så det ikke kan flytte sig rundt i pakningen.
11. Når akkuen bortskaffes, skal du fjerne den fra maskinen og bortskaffe den på et sikkert sted. Følg de lokale love vedrørende bortskaffelsen af batterier.
12. Brug kun batterierne med de produkter, som Makita specificerer. Hvis batterierne installeres i ikke-kompatible produkter, kan det medføre brand, kraftig varme, eksplosion eller udsivning af elektrolyt.
13. Hvis maskinen ikke skal bruges i længere tid ad gangen, skal du fjerne batteriet fra maskinen.
14. Akkuen kan muligvis under og efter brug være varm, hvilket kan forårsage forbrændinger eller lavtemperaturforbrændinger. Vær påpasselig med håndtering af varme akkuer.
15. Rør ikke terminalen på maskinen straks efter brug, da den bliver varm nok til at forårsage forbrændinger.
16. Sørg for, at spåner, støv eller jord ikke sætter sig fast i akkuens terminaler, huller og riller. Det kan forårsage opvarmning, antændelse, sprængning og funktionsfejl i maskinen eller akkuen, hvilket kan medføre forbrændinger eller personskade.
17. Medmindre maskinen understøtter brugen i nærheden af elektriske højspændingsledninger, skal du ikke anvende akkuen i nærheden af elektriske højspændingsledninger. Det kan muligvis medføre funktionsfejl på eller nedbrud af maskinen eller akkuen.
18. Opbevar batteriet utilgængeligt for børn.

GEM DENNE BRUGSANVISNING.

⚠FORSIGTIG: Brug kun originale batterier fra Makita. Brug af uoriginale Makita-batterier, eller batterier som er blevet ændret, kan muligvis medføre brud på batteriet, hvilket kan forårsage brand, personskade eller beskadigelse. Det ugyldiggør også Makita-garantien for Makita-maskinen og opladeren.

Tips til opnåelse af maksimal akku-levetid

1. Oplad akkuen, inden den er helt afladet. Stop altid værktøjet, og oplad akkuen, hvis De bemærker, at værktøjeffekten er aftagende.
2. Genoplad aldrig en fuldt opladet akku. Overopladning vil afkorte akkuens levetid.
3. Oplad akkuen ved stuetemperatur ved 10 °C - 40 °C. Lad altid en varm akku få tid til at køle af, inden den oplades.
4. Når du ikke anvender akkuen, skal du fjerne den fra maskinen eller opladeren.
5. Oplad akkuen, hvis De ikke skal bruge den i længere tid (mere end seks måneder).

BESKRIVELSE AF DELENE

► Fig.2

1	Ekstra håndtag	2	Sikkerhedsdæksel	3	Savkæde
4	Sværd	5	Olietankdæksel	6	Sværdbeskytter
7	Kædehjulsdæksel	8	Låsehåndtag	9	Bageste håndtag
10	Afbryderknap	11	Arm	12	Akku

FUNKTIONSBESKRIVELSE

⚠️FORSIGTIG: Sørg altid for at maskinen er slukket, og at akkuen er taget ud, før der udføres justering eller kontrol af funktioner på maskinen.

Isætning eller fjernelse af akkuen

⚠️FORSIGTIG: Sluk altid for værktøjet, før De monterer eller fjerner akkuen.

⚠️FORSIGTIG: Hold værktøjet og akkuen fast ved montering eller fjernelse af akkuen. Hvis De ikke holder værktøjet og akkuen fast, kan de glide ud af hænderne på Dem og forårsage beskadigelse af værktøjet og akkuen eller personskade.

► Fig.3: 1. Rød indikator 2. Knap 3. Akku

Akkuen fjernes ved, at De trækker den ud af værktøjet, idet De skyder knappen på forsiden af akkuen i stilling.

For at montere akkuen skal du justere tungen på akkuen med rillen i huset og skubbe den på plads. Indsæt den hele vejen, indtil den låses på plads med et lille klik. Hvis du kan se den røde indikator, som vist i figuren, er den ikke helt låst.

⚠️FORSIGTIG: Monter altid akkuen helt, indtil den røde indikator ikke længere er synlig. Hvis dette ikke gøres, kan den falde ud af værktøjet ved et uheld, hvorved De selv eller personer i nærheden kan komme til skade.

⚠️FORSIGTIG: Brug ikke magt ved montering af akkuen. Hvis akkuen ikke glider på plads uden problemer, betyder det, at den ikke sættes i på korrekt vis.

Indikation af den resterende batteriladning

Kun til akkuer med indikatoren

► Fig.4: 1. Indikatorlamper 2. Kontrolknap

Tryk på kontrolknappen på akkuen for at få vist den resterende batteriladning. Indikatorlampen lyser i nogle sekunder.

Indikatorlamper			Resterende ladning
Tændt	Slukket	Bliker	
■	□	◐	75% til 100%
■ ■ ■ ■			50% til 75%
■ ■	□ □		25% til 50%
■	□ □ □ □		0% til 25%
◐	□ □ □ □		Genoplad batteriet.
■ ■	□ □		Der er muligvis fejl i batteriet.
□ □	■ ■		

BEMÆRK: Afhængigt af brugsforholdene og den omgivende temperatur kan indikationen afvige en smule fra den faktiske ladning.

BEMÆRK: Den første indikatorlampe (længst mod venstre) vil blinke, når batteribeskyttelsessystemet aktiveres.

Beskyttelsessystem til værktøj/batteri

Maskinen er udstyret med et beskyttelsessystem til maskinen/batteriet. Dette system afbryder automatisk strømmen til motoren for at forlænge maskinens og batteriets levetid. Maskinen stopper automatisk under brugen, hvis maskinen eller batteriet udsættes for et af følgende forhold:

Overbelastningsbeskyttelse

Hvis maskinen eller batteriet betjenes på en måde, der får den/det til at bruge unormalt meget strøm, stopper maskine automatisk. Sluk i så fald for maskinen, og stop den anvendelse, der medførte overbelastningen af maskinen. Tænd derefter for maskinen for at starte igen.

Beskyttelse mod overophedning

Hvis maskinen eller batteriet er overophedet, stopper maskinen automatisk. Lad i så fald maskinen og batteriet køle af, før du tænder for maskinen igen.

Beskyttelse mod overafledning

Når batteriladningen er utilstrækkelig, stopper maskinen automatisk. Tag i så fald akkuen ud af maskinen, og oplad akkuen.

Afbryderbetjening

⚠️ADVARSEL: Af hensyn til din sikkerhed er maskinen forsynet med et låsehåndtag, der forhindrer, at maskinen starter ved et uheld. Brug ALDRIG maskinen, hvis den kører, når du trykker på afbryderknappen uden at trykke på låsehåndtaget. Indlever maskinen til vores autoriserede servicecenter til korrekt reparation, FØR den benyttes igen.

⚠️ADVARSEL: Brug ALDRIG tape til at fastgøre aflåsehåndtaget eller på anden måde omgå dets formål og funktion.

⚠️FORSIGTIG: Inden akkuen sættes i maskinen, bør De altid kontrollere, at afbryderknappen fungerer korrekt, og returnerer til "OFF"-positionen, når den slippes.

BEMÆRKNING: Tryk ikke hårdt på afbryderknappen uden at trykke på aflåsehåndtaget. Dette kan forårsage afbryderbeskadigelse.

For at forhindre, at der trykkes på afbryderknappen ved et uheld, er der monteret et aflåsehåndtag. For at starte maskinen skal du trykke aflåsehåndtaget ned og trykke på afbryderknappen. Slip afbryderknappen for at stoppe.

► Fig.5: 1. Afbryderknap 2. Låsehåndtag

Kontrol af stopbremsen

⚠️FORSIGTIG: Hvis savkæden ikke stopper inden for et par sekunder i denne test, skal du stoppe med at bruge maskinen og kontakte vores autoriserede servicecenter.

Kør maskinen, og slip derefter afbryderknappen helt. Savkæden skal gå i stå i løbet af få sekunder.

SAMLING

⚠️FORSIGTIG: Sørg altid for at maskinen er slukket, og at akkuen er taget ud, før der udføres noget arbejde på maskinen.

⚠️FORSIGTIG: Undlad at berøre savkæden med bare hænder. Bær altid beskyttelseshandsker, når du håndterer savkæden.

Af- eller påmontering af savkæde

⚠️FORSIGTIG: Savkæden og sværdet er stadig varme lige efter brugen. Lad dem køle tilstrækkeligt af, inden der udføres noget arbejde på maskinen.

⚠️FORSIGTIG: Udfør proceduren med at montere eller fjerne savkæden på et rent sted uden savsmuld og lignende.

Afmontering af savkæden

For at fjerne savkæden skal du udføre følgende trin:

1. Træk armen op.

► Fig.6: 1. Arm

2. Drej armen mod uret, indtil kædehjulsdækslet går af.

► Fig.7: 1. Kædehjulsdæksel 2. Arm

3. Afmonter kædehjulsdækslet, og afmonter derefter savkæden og sværdet fra maskinens karosseri.

Montering af savkæden

For at montere savkæden skal du udføre følgende trin:

1. Træk armen op.

► Fig.8: 1. Arm

2. Drej armen mod uret, indtil kædehjulsdækslet går af.

► Fig.9: 1. Arm 2. Kædehjulsdæksel

3. Afmonter kædehjulsdækslet.

4. Justér hullet på sværdet med stiften på maskinens karosseri, og placér derefter sværdet som vist på figuren.

► Fig.10: 1. Sværd 2. Hul 3. Stift

5. Skub sværdet mod kædehjulet for at låse stiften.

► Fig.11: 1. Sværd 2. Stift

6. Afmonter sværdet fra maskinens karosseri.

7. Kontrollér savkædens retning. Sørg for, at savkædens retning svarer til mærket på maskinens karosseri.

► Fig.12: 1. Mærke på maskinens karosseri

8. Sæt den ene ende af savkæden på toppen af sværdet.

9. Monter den anden ende af savkæden rundt om kædehjulet, og fastgør derefter sværdet til maskinens karosseri, så hullet på sværdet flugter med stiften på karosseriet.

► Fig.13: 1. Kædehjul

Tryk sværdet mod maskinens karosseri for at frigøre stiften. Savkædens spænding justeres automatisk.

► Fig.14: 1. Savkæde 2. Stift 3. Kædehjul

10. Placér kædehjulsdækslet således, at bolten og stiften på maskinens karosseri mødes med de tilsvarende dele på kædehjulsdækslet.

► Fig.15: 1. Kædehjulsdæksel 2. Bolt 3. Stift

11. Drej armen med uret, indtil kædehjulsdækslet sidder fast, og returner den derefter til den oprindelige position.

► Fig.16: 1. Arm 2. Kædehjulsdæksel

Sørg for, at savkæden ikke løsner sig, og at savkæden kan bevæges jævnt frem og tilbage. Justér om nødvendigt savkædens spænding ved at se afsnittet om justering af savkædens spænding.

Justering af savkædens spænding

⚠️FORSIGTIG: En kæde, der er for løs, kan hoppe af sværdet, og det kan forårsage personskade eller en ulykke.

Savkæden kan blive løs efter mange timers brug. Kontrollér fra tid til anden savkædens spænding inden brug.

Hvis savkæden er løs, skal du justere savkædens spænding.

1. Træk armen op.

► Fig.17: 1. Arm

2. Drej armen en smule mod uret for at løsne kædehjulsdækslet let. Kædespændingen justeres automatisk.

► Fig.18: 1. Kædehjulsdæksel 2. Arm

3. Drej armen med uret, indtil kædehjulsdækslet sidder fast, og returner den derefter til den oprindelige position.

► Fig.19: 1. Arm 2. Kædehjulsdæksel

ANVENDELSE

Smøring

⚠FORSIGTIG: Undlad at anvende maskinen, når tanken er tom. Påfyld olien i god tid, før tanken er tom.

⚠FORSIGTIG: Undgå, at olien kommer i kontakt med huden og øjne. Kontakt med øjnene forårsager irritation. I tilfælde af kontakt med øjnene skal det berørte øje straks skylles med rent vand og derefter straks søge læge.

⚠FORSIGTIG: Undlad at bruge spildolie. Spildolie indeholder kræftfremkaldende stoffer. De forurenende stoffer i spildolie forårsager øget slid på oliepumpen, sværdet og kæden. Spildolie er skadeligt for miljøet.

BEMÆRKNING: Når maskinen anvendes første gang, kan det tage op til to minutter, før savkædeolien begynder sin smørende virkning på savmekanismen. Kør saven uden belastning, indtil den gør det.

BEMÆRKNING: Når der påfyldes kædeolie for første gang, eller tanken fyldes op igen, efter at den er blevet helt tom, skal der påfyldes olie op til bundkanten af påfyldningsstudsene. Ellers kan olietforsyningen blive hindret.

BEMÆRKNING: Brug savkædeolien udelukkende til Makita-maskiner eller tilsvarende olie, som fås i handelen.

BEMÆRKNING: Anvend aldrig olie, som indeholder snavs og partikler, eller flygtig olie.

BEMÆRKNING: Ved beskæring af træer skal der anvendes planteolie. Mineralsk olie kan skade træerne.

BEMÆRKNING: Kontroller inden skæringen, at det medfølgende olietankdæksel er skruet på plads.

Savkæden smøres automatisk, når maskinen er i brug. Kontroller regelmæssigt mængden af tilbageværende olie i olietanken gennem olieskueglasset.

► **Fig.20:** 1. Olieskueglas 2. Olietankdæksel

Udfør følgende trin for at påfylde olien:

1. Rengør området omkring olietankdækslet grundigt for at forhindre snavs i at trænge ind i olietanken.

2. Læg maskinen på siden.

3. Tryk på knappen på olietankdækslet, så knappen på den anden side står op, og afmonter derefter olietankdækslet ved at dreje det.

► **Fig.21:** 1. Olietankdæksel 2. Tilspænd 3. Løs

4. Fyld olietanken med olien. Den korrekte mængde olie er 55 ml.

5. Skru olietankdækslet godt tilbage på plads igen.

6. Aftør eventuelt spildt kædeolie omhyggeligt.

BEMÆRK: Hvis det er vanskeligt at afmontere olietankdækslet, skal du sætte tidsen af en kærvskrue-trækker ind i åbningen på olietankdækslet og derefter afmontere olietankdækslet ved at dreje det mod uret.

► **Fig.22:** 1. Åbning 2. Kærvskrue-trækker

Efter genopfyldning skal du holde maskinen væk fra det materiale, der skal skæres. Start den, og vent, indtil savkæden er tilstrækkeligt smurt.

► **Fig.23**

Arbejde med maskinen

⚠FORSIGTIG: Hold alle kroppsdele væk fra savkæden, når maskinen anvendes.

⚠FORSIGTIG: Hold godt fast i maskinen med begge hænder, når maskinen anvendes.

⚠FORSIGTIG: Stræk dig ikke for langt. Sørg hele tiden for sikkert fodfæste og balance.

BEMÆRKNING: Du må aldrig kaste eller tabe maskinen.

BEMÆRKNING: Undlad at spildække maskinens ventilationsåbninger.

Før maskinen startes, bringes sværdets rod og støttedelen på maskinens karosseri i kontakt med den gren, der skal skæres, som vist på figuren. Mens maskinen og sværdet er i kontakt med grenen, skal du starte maskinen og save grenen ved at flytte maskinen ned langs grenen.

► **Fig.24**

⚠FORSIGTIG: Før skærearbejdet skal du sikre dig, at den gren, der skal skæres, er i kontakt med sværdets rod og støttedelen på maskinens karosseri. Ellers kan maskinen blive trukket mod spidsen af sværdet, og sværdet kan svinge, hvilket kan medføre personskade.

Bæring af maskinen

Før du bærer maskinen, skal du altid afmontere akkuen fra maskinen. Fastgør derefter sværdbeskytteren. Tildæk ligeledes akkuen med batteridækslet.

► **Fig.25:** 1. Sværdbeskytter 2. Batteridæksel

VEDLIGEHOLDELSE

⚠FORSIGTIG: Vær altid sikker på, at værktøjet er slukket, og at akkuen er taget ud, inden De begynder at udføre inspektion eller vedligeholdelse.

⚠FORSIGTIG: Bær altid beskyttelseshandsker, når der udføres eftersyn eller vedligeholdelse.

BEMÆRKNING: Anvend aldrig benzin, rensebenzin, fortynder, alkohol og lignende. Det kan medføre misfarvning, deformation eller revner.

Før at opretholde produktets SIKKERHED og PÅLIDELIGHED må reparation, vedligeholdelse eller justering kun udføres af et autoriseret Makita servicecenter eller fabriksservicecenter med anvendelse af Makita reservedele.

Slibning af savkæden

Slib savkæden, når:

- Der frembringes melet savsmuld, når der skæres i fugtigt træ,
- Kæden kun gennemskærer træet med besvær, selv hvis der anvendes et kraftigt tryk,
- Skærekanten er tydeligt beskadiget,
- Saven trækker til venstre eller højre i træet. (forårsaget af uensartet slibning af savkæden eller beskadigelse af kun den ene side)

Slib savkæden hyppigt, men kun en smule ad gangen. To eller tre strøg med en fil er sædvanligvis tilstrækkeligt til at udføre en almindelig slibning. Når savkæden er blevet slebet adskillige gange, skal den slibes på vores autoriserede servicecenter.

Slibningskriterier:

⚠ ADVARSEL: For stor afstand mellem skærekant og dybdemåleren forøger risikoen for tilbageslag.

- **Fig.26:** 1. Skærerlængde 2. Afstand mellem skærekant og dybdemåler 3. Mindste skærerlængde (3 mm)

- Alle skærerlængder skal være ens. Forskellige skærerlængder vil forhindre savkæden i at køre ubesværet og kan forårsage, at savkæden brækker.
- Slib ikke kæden, når der er nået en skærerlængde på 3 mm eller derunder. Kæden skal udskiftes med en ny.
- Savspånstykkelser bestemmes af afstanden mellem dybdemåleren (rund næse) og skærekanten.
- De bedste skærerresultater opnås med følgende afstand mellem skærekanten og dybdemåleren.
 - Kædeblad 80TXL: 0,65 mm

► Fig.27

- Slibningsvinklen på 30° skal være den samme på alle skærere. Forskellige skærevinkler medfører, at kæden kører ujævnt og uensartet, fremskynder slitage og medfører, at kæden brækker.
- Brug en passende rund fil, så den korrekte slibningsvinkel holdes mod tænderne.
 - Kædeblad 80TXL: 55°

Fil og korrekt anvendelse af fil

- Anvend en speciel rund fil (ekstraudstyr) til savkæder til at skærpe kæden. Almindelige runde filer er ikke egnede.
- Diameter på den runde fil for hver savkæde er som følger:
 - Kædeblad 80TXL: 4,0 mm
- Filen bør kun være i kontakt med skæreren ved fremadstrøget. Hæv filen fra skæreren ved returstrøget.
- Slib den korteste skærer først. Længden af denne korteste skærer bliver standard for alle skærende led på savkæden.
- Før filen som vist på illustrationen.

- **Fig.28:** 1. Fil 2. Savkæde

- Det er nemmere at føre filen, hvis der anvendes en filholder (ekstraudstyr). Filholderen har afmærkninger til den korrekte slibningsvinkel på 30° (sæt afmærkningerne parallelt med savkæden) og begrænser dybden af gennemskæringen (til 4/5 af fildiametere).

- **Fig.29:** 1. Filholder

- Kontroller, når kæden er skærpet, højden af dybdemåleren ved hjælp af kædemåleværktøjet (ekstraudstyr).

- **Fig.30**

- Fjern alt fremspringende materiale, hvor småt det end måtte være, ved hjælp af en speciel flad fil (ekstraudstyr).
- Afrund forsiden af dybdemåleren igen.

Rengøring af sværdet

Spåner og savsmuld samler sig i sværdillen. De kan tilstoppe sværdillen og hindre oliestrømningen. Fjern altid spåner og savsmuld, hver gang du sliber eller udskifter savkæden.

- **Fig.31**

Rengøring af kædehjulsdækslet

Spåner og savsmuld samler sig inde i kædehjulsdækslet. Fjern kædehjulsdækslet og savkæden fra maskinen, og fjern derefter spåner og savsmuld.

- **Fig.32**

Rengøring af olieudløbshullet

Små støv- og andre partikler kan samle sig i olieudløbshullet under arbejdet. Dette støv og andre partikler kan forringe oliestrømmen og medføre en utilstrækkelig smøring af hele savkæden. Rengør olieudløbshullet som vist herunder, hvis oliestrømmen er for svag ved toppen af sværdet.

1. Fjern kædehjulsdækslet og savkæden fra maskinen.
2. Fjern mindre støvdannelse eller partikler ved hjælp af en kærnskruetrækker eller lignende.

- **Fig.33:** 1. Kærnskruetrækker 2. Olieudløbshul

3. Sæt akkuen i maskinen. Tryk på afbryderknappen for at fjerne akkumulerede støv- og andre partikler fra olieudløbshullet ved at lade kædeolie flyde ud.
4. Afmonter akkuen fra maskinen. Montér kædehjulsdækslet og savkæden og sværdet på maskinen igen.

Udskiftning af kædehjulet

⚠ FORSIGTIG: Et udtjent kædehjul vil beskadige en ny savkæde. I så fald skal kædehjulet skiftes ud med et nyt.

Kontroller kædehjulets tilstand, inden en ny savkæde monteres.

- **Fig.34:** 1. Kædehjul 2. Områder, der slides

Sæt altid en ny låsering på, når kædehjulet skiftes ud.

- **Fig.35:** 1. Låsering 2. Kædehjul

BEMÆRKNING: Kontroller, at kædehjulet er installeret som vist på figuren.

Opbevaring af maskinen

1. Rengør maskinen, inden den lægges til opbevaring. Fjern alle spåner og savsmuld fra maskinen, efter at kædehjulsdækslet er taget af.
2. Når maskinen er rengjort, skal den køres uden belastning for at smøre savkæden og sværdet.
3. Dæk sværdet med sværdbeskytteren.
4. Tøm olietanken.

Vejledning i periodisk vedligeholdelse

For at sikre lang levetid, forebygge skader og sikre, at sikkerhedsfunktionerne fungerer fuld ud, skal følgende vedligeholdelse udføres regelmæssigt. Garantikrav kan kun anerkendes, hvis dette arbejde udføres regelmæssigt og korrekt. Hvis det foreskrevne vedligeholdelsesarbejde ikke udføres, kan det medføre ulykker! Brugeren af maskinen må ikke udføre vedligeholdelsesarbejde, som ikke er beskrevet i brugsanvisningen. Alt sådant arbejde skal udføres af vores autoriserede servicecenter.

Kontrolpunkt / Driftstid		Før brug	Hver dag	Hver uge	Hver 3. måned	Årligt	Før opbevaring
Hele maskinen	Inspektion.	✓	-	-	-	-	-
	Rengøring.	-	✓	-	-	-	-
	Kontrolleres på autoriseret servicecenter.	-	-	-	-	✓	✓
Savkæde	Inspektion.	✓	-	-	-	-	-
	Skærpes om nødvendigt.	-	-	-	-	-	✓
Sværd	Inspektion.	✓	✓	-	-	-	-
	Afmonter fra maskinen.	-	-	-	-	-	✓
Smøring af kæden	Kontroller olietilførslen.	✓	-	-	-	-	-
Afbryderknap	Inspektion.	✓	-	-	-	-	-
Låsehåndtag	Inspektion.	✓	-	-	-	-	-
Olietankdæksel	Kontroller spændingen.	✓	-	-	-	-	-
Skruer og møtrikker	Inspektion.	-	-	✓	-	-	-

FEJLFINDING

Udfør selv en inspektion, inden De anmoder om reparation. Hvis De opdager et problem, som ikke er forklaret i brugsanvisningen, må De ikke forsøge at adskille maskinen. Rådfør Dem i stedet med et autoriseret Makita Servicecenter, og brug altid originale Makita udskiftingsdele til reparationer.

Fejl	Årsag	Løsning
Maskinen starter ikke.	Akkuen er ikke indsat.	Indsæt en opladet akku.
	Akku-problem (lav spænding).	Genoplad akkuen. Hvis genopladningen ikke løser problemet, skal du udskifte akkuen.
Motoren holder op med at køre efter kort tids brug.	Akkuens opladningsniveau er lavt.	Genoplad akkuen. Hvis genopladningen ikke løser problemet, skal du udskifte akkuen.
Ingen olie på kæden.	Olietanken er tom.	Fyld olietanken.
	Olieføringssporet er snavset.	Rengør sporet.
Maskinen når ikke det maksimale omdrejningstal.	Akkuen er sat forkert i.	Monter akkuen som beskrevet i denne brugervejledning.
	Batteriladningen er faldende.	Genoplad akkuen. Udskift akkuen, hvis genopladning ikke løser problemet.
	Drivsystemet fungerer ikke korrekt.	Bed vores autoriserede servicecenter i dit område om reparation.
Unormal vibration: Stop maskinen med det samme!	Løst sværd eller savkæde.	Juster sværdets og savkædens spænding.
	Funktionsfejl på maskinen.	Bed vores autoriserede servicecenter i dit område om reparation.
Savkæden kan ikke installeres.	Kombinationen af savkæde og kædehjul er ikke korrekt.	Brug den rigtige kombination af savkæde og kædehjul ved at se afsnittet for specifikationer.

EKSTRAUDSTYR

⚠️FORSIGTIG: Det følgende tilbehør og ekstraudstyr er anbefalet til brug med Deres Makita maskine, der er beskrevet i denne brugsanvisning. Anvendelse af andet tilbehør eller ekstraudstyr kan udgøre en risiko for personskade. Anvend kun tilbehør og ekstraudstyr til det beskrevne formål.

Hvis De behøver hjælp ved valg af tilbehør eller ønsker yderligere informationer, bedes De kontakte Deres lokale Makita servicecenter.

- Savkæde
- Sværd
- Sværdbeskytter
- Fil
- Værktøjspose
- Original Makita akku og oplader

BEMÆRK: Nogle ting på denne liste kan være inkluderet i værktøjspakken som standardtilbehør. Det kan være forskellige fra land til land.

SPECIFIKĀCIJAS

Modelis:		DUC101
Kopējais garums (bez zāģa sliedes un akumulatora)		357 mm
Nominālais spriegums		Līdzstrāva 18 V
Neto svars	*1	1,1 kg
	*2	1,6–2,0 kg
Standarta virzošās sliedes garums		100 mm
Ieteicamais virzošās sliedes garums		100 mm
Attiecīgais zāģa ķēdes veids (skatiet tālāk redzamo tabulu)		80TXL
Ķēdesrats	Zobu skaits	7
	Solis	0,325"
Ķēdes ātrums		0–8,0 m/s (0–480 m/min)
Ķēdes eļļas tvertnes tilpums		55 cm ³

• Nepārtrauktās izpētes un izstrādes programmas dēļ šeit uzrādītās specifikācijas var tikt mainītas bez brīdinājuma.

• Atkarībā no valsts specifikācijas var atšķirties.

*1: Svārs bez zāģa ķēdes, vadotnes, vadotnes vāka, eļļas un akumulatora(-u) kasetnes(-ēm).

*2: Vieglākā un smagākā svāra kombinācija saskaņā ar EPTA procedūru 01/2014. Svārs var atšķirties atkarībā no papildierīces(-ēm), tostarp akumulatora(-u) kasetnes(-ēm).

Zāģa ķēdes, vadsliedes un ķēdesrata kombinācija

Zāģa ķēdes veids		80TXL
Dzinējposmu skaits		26
Virzošā sliede	Virzošās sliedes garums	100 mm
	Zāģējuma garums	111 mm
	Solis	0,325"
	Mērskala	1,1 mm
	Veids	Sliede ar cietu galu
Ķēdesrats	Zobu skaits	7
	Solis	0,325"

BRĪDINĀJUMS: Izmantojiet pareizo virzošās sliedes un ķēdes zāģa kombināciju. Citādi var rasties traumas.

Piemērotā akumulatora kasetne un lādētājs

Akumulatora kasetne	BL1815N / BL1820B / BL1830B / BL1840B / BL1850B / BL1860B
Lādētājs	DC18RC / DC18RD / DC18RE / DC18SD / DC18SE / DC18SF / DC18SH / DC18WC

• Daži no iepriekš norādītajiem lādētājiem un akumulatora kasetnēm var nebūt pieejami atkarībā no jūsu mītnes reģiona.

BRĪDINĀJUMS: Izmantojiet vienīgi iepriekš norādītās akumulatora kasetnes un lādētājus. Cita tipa akumulatora kasetņu un lādētāju izmantošana var radīt traumu un/vai aizdegšanās risku.

Ieteicamais ar vadu savienojamais barošanas avots

Pārnēsājams barošanas bloks	PDC01
-----------------------------	-------

- Iepriekš norādītais(-ie) ar vadu savienojamais(-ie) barošanas avots(-i) var nebūt pieejams(-i) atkarībā no jūsu mītnes reģiona.
- Pirms izmantojat ar vadu savienojamo barošanas avotu, izlasiet instrukcijas un uz tā redzamos brīdinājumus.

Simboli

Tālāk ir attēloti simboli, kas var attiekties uz darbarīka lietošanu. Pirms darbarīka izmantošanas pārliecinieties, vai pareizi izprotat to nozīmi.



Izlasiet lietošanas rokasgrāmatu.



Izmantojiet aizsargbrilles un ausu aizsargus.



Strādājot ar šo darbarīku, vienmēr turiet to ar abām rokām.



Uzmanieties no atsitiena un izvairieties no saskares ar slīdes galu.



Nepakļaujiet mitruma iedarbībai.



Maksimālais pieļaujamais zāģējuma garums



Ķēdes ceļa virziens



Tikai ES valstīm
Tā kā šajā aprīkojumā ir bīstamas sastāvdaļas, elektrisko un elektronisko iekārtu, akumulatoru un bateriju atkritumi var negatīvi ietekmēt apkārtējo vidi un cilvēka veselību.
Elektroierīces, elektroniskās ierīces un akumulatorus nedrīkst izmest kopā ar mājāsaimniecības atkritumiem!
Saskaņā ar Eiropas direktīvu par elektrisko un elektronisko iekārtu atkritumiem, akumulatoriem un baterijām, kā arī akumulatoru un bateriju atkritumiem un šīs direktīvas pielāgošanu valsts tiesību aktiem elektrisko un elektronisko iekārtu, bateriju un akumulatoru atkritumi ir jāglabā atsevišķi un jānogādā uz sadzīves atkritumu dalītās savākšanas vietu, ievērojot attiecīgos vides aizsardzības noteikumus.
Par to liecina uz iekārtas redzams simbols ar pārsvītrotu atkritumu konteineru uz rīteniem.



Garantētais skaņas jaudas līmenis saskaņā ar ES Direktīvu par troksni ārpus telpām.



Skaņas jaudas līmenis saskaņā ar Austrālijas NSW trokšņu kontroles noteikumiem

Paredzētā lietošana

Šis darbarīks paredzēts koku un krūmu zaru zāģēšanai, izmantojot ķēdes zāģi.

Trokšņa līmenis

Tipiskais A svērtais trokšņa līmenis noteikts saskaņā ar EN62841-4-1:

Skaņas spiediena līmeni (L_{pA}): 76 dB (A)

Skaņas jaudas līmeni (L_{WA}): 87 dB (A)

Mainīgums (K): 3 dB (A)

PIEZĪME: Paziņotā trokšņa emisijas vērtība noteikta atbilstoši standarta pārbaudes metodei, un to var izmantot, lai salīdzinātu vienu darbarīku ar citu.

PIEZĪME: Paziņoto trokšņa emisijas vērtību arī var izmantot iedarbības sākotnējā novērtējumā.

▲BRĪDINĀJUMS: Lietojiet ausu aizsargus.

▲BRĪDINĀJUMS: Trokšņa emisija patiesos darba apstākļos var atšķirties no paziņotās vērtības atkarībā no darbarīka izmantošanas veida un jo īpaši atkarībā no apstrādājamā materiāla veida.

▲BRĪDINĀJUMS: Lai aizsargātu lietotāju, nosakiet drošības pasākumus, kas pamatoti ar iedarbību reālos darba apstākļos (ņemot vērā visus ekspluatācijas cikla posmus, piemēram, laiku, kamēr darbarīks ir izslēgts un kad darbojas tukšgaitā, kā arī palaides laiku).

Vibrācija

Vibrācijas kopējā vērtība (trīsasu vektora summa)

noteikta atbilstoši EN62841-4-1:

Darba režīms: koksnes zāģēšana

Vibrācijas izmēte ($a_{h,w}$): 4,6 m/s²

Mainīgums (K): 1,5 m/s²

PIEZĪME: Paziņotā kopējā vibrācijas vērtība noteikta atbilstoši standarta pārbaudes metodei, un to var izmantot, lai salīdzinātu vienu darbarīku ar citu.

PIEZĪME: Paziņoto kopējo vibrācijas vērtību arī var izmantot iedarbības sākotnējā novērtējumā.

▲BRĪDINĀJUMS: Vibrācijas emisija patiesos darba apstākļos var atšķirties no paziņotās vērtības atkarībā no darbarīka izmantošanas veida un jo īpaši atkarībā no apstrādājamā materiāla veida.

▲BRĪDINĀJUMS: Lai aizsargātu lietotāju, nosakiet drošības pasākumus, kas pamatoti ar iedarbību reālos darba apstākļos (ņemot vērā visus ekspluatācijas cikla posmus, piemēram, laiku, kamēr darbarīks ir izslēgts un kad darbojas tukšgaitā, kā arī palaides laiku).

Atbilstības deklarācijas

Tikai Eiropas valstīm

Atbilstības deklarācijas šajā lietošanas rokasgrāmatā ir iekļautas kā A pielikums.

DROŠĪBAS BRĪDINĀJUMI

Vispārīgi elektrisko darbarīku drošības brīdinājumi

▲BRĪDINĀJUMS Izlasiet visus drošības brīdinājumus, norādījumus un tehniskos datus un izpētiet ilustrācijas, kas iekļautas šā elektriskā darbarīka komplektā. Neievērojot visus tālāk minētos noteikumus, iespējams elektriskās strāvas trieciena, aizdegšanās un/vai smagu traumu risks.

Glabājiet visus brīdinājumus un norādījumus, lai varētu tajos ieskatīties turpmāk.

Termins „elektrisks darbarīks” brīdinājumos attiecas uz tādu elektrisko darbarīku, ko darbina ar elektrību (ar vadu), vai tādu, ko darbina ar akumulatoru (bez vada).

Vispārēji atzarošanas zāģa drošības brīdinājumi

- Kad atzarošanas zāģis darbojas, netuviniet nevienu ķermeņa daļu zāģa ķēdei. Pirms atzarošanas zāģa iedarbināšanas pārliecinieties, vai zāģa ķēde nekam nepieskaras.** Neuzmanības mirklis atzarošanas zāģa lietošanas laikā var izraisīt jūsu apģērba vai ķermeņa saskari ar zāģa ķēdi.
- Vienmēr turiet atzarošanas zāģi ar vienu roku uz aizmugurējā roktura un otru roku uz palīgroktura.**
- Turiet atzarošanas zāģi tikai aiz roktura izolētājām virsmām, jo zāģa ķēde var skart apslēptus vadus.** Zāģa ķēdei skarot vadu, kurā plūst strāva, atzarošanas zāģa atsegtās metāla daļas var sākt vadīt strāvu, un operators var saņemt strāvas triecienu.
- Lietojiet acu aizsarglīdzekļus. Ieteicams lietot arī ausu, galvas, roku, kāju un pēdu papildu aizsardzības līdzekļus.** Piemērots aizsargapriekojums samazinās risku gūt traumas no atlecošiem gruziem vai nejaušas saskares ar zāģa ķēdi.
- Neizmantojiet atzarošanas zāģi, atrodoties kokā, uz trepēm, uz jumta vai uz jebkuras citas nestabilas virsmas.** Šādi lietojot atzarošanas zāģi, var gūt smagas traumas.
- Vienmēr nodrošiniet labu atbalstu kājām un darbiniet ķēdes zāģi, tikai stāvot uz stabilas, drošas un līdzenas virsmas.** Stāvot uz slidenas vai nestabilas virsmas, var zaudēt līdzsvaru un kontroli pār atzarošanas zāģi.
- Zāģējot nospriegotus zarus, ievērojiet piesardzību, lai izvairītos no atlecošiem zariem.** Kad koksnes šķiedras nospriegotus ir zudis, nospriegotais zars var atsisties pret operatoru un/vai izsist atzarošanas zāģi, padarot to nekontrolējamu.
- Īpaši uzmanieties, zāģējot zemus krūmājus un kociņus.** Tievie zari var saķerties ar ķēdes zāģi un triekties pret jums kā pātnāgas vai izraut jūs no līdzsvara.

- Pārnēsājiet atzarošanas zāģi izslēgtā stāvoklī un atstātos no ķermeņa.** Transportējot vai glabājot atzarošanas zāģi, vienmēr uzlieciet vadotnes vāku. Pareiza rīkošanās ar atzarošanas zāģi samazina iespēju nejauši saskarties ar kustīgo zāģa ķēdi.
- Ievērojiet elļošanas, ķēdes spriegošanas un sliedes un ķēdes maiņas norādījumus.** Nepareizi nospriegotā vai ieeļļota ķēde var saplīst vai palielināt atsietiena iespēju.
- Zāģējiet tikai koku. Neizmantojiet atzarošanas zāģi tam neparedzētiem nolūkiem. Piemēram: neizmantojiet atzarošanas zāģi metāla, plastmasas, mūra vai tādu celtniecības materiālu zāģēšanai, kas nav no koksnes.** Atzarošanas zāģa izmantošana neparedzētiem nolūkiem var radīt bīstamas situācijas.
- Šis atzarošanas zāģis nav paredzēts koku nozāģēšanai.** Atzarošanas zāģa izmantošana neparedzētiem nolūkiem var radīt smagus ievainojumus operatoram vai apkārtējiem.
- Tirot iestrēgušus kokmateriālus, kā arī glabājot ķēdes zāģi vai veicot tā apkopi, ievērojiet visus norādījumus. Darbarīkam ir jābūt izslēgtam un akumulatora kasetei — izņemtai.**
- Atsietiena iemesli un operatora iespējas to novērst.** Ja virzošās sliedes gals vai uzgali pieskaras priekšmetam vai ja koks sakļaujas un iespiež zāģa ķēdi zāģējumā, var rasties atsietiens. Saskaņā ar uzgali dažos gadījumos, iespējams, var izraisīt pēkšņu pretreakciju, pasītot virzošo sliedi augšup un atpakaļ operatora virzienā. Zāģa ķēdes iespiešana virzošās sliedes augšmalā var pēkšņi pastumt virzošo sliedi atpakaļ operatora virzienā. Abas minētās pretdarbības var izraisīt zāģa kontroles zudumu, kas savukārt var izraisīt nopietnus ievainojumus. Nepaļaujieties tikai uz aizsargierīcēm, kas iebūvētas zāģī. Lietojot atzarošanas zāģi, jāveic vairākas darbības, lai zāģēšanas laikā izvairītos no negadījumiem un ievainojumiem. Atsietiens rodas atzarošanas zāģa nepareizas lietošanas un/vai nepareizas darbības vai apstākļu dēļ, un no tā var izvairīties, veicot piemērotus drošības pasākumus, kā norādīts tālāk.
 - Turiet darbarīku stingri, ar abu roku īkšķiem un pirkstiem apņemot atzarošanas zāģa rokturus un novietojot ķermeni un rokas tā, lai spētu pretoties atsietiena spēkam.** Operators var kontrolēt atsietiena spēku, ja ir veikti piemēroti drošības pasākumi. Neļaujiet ķēdes zāģim izslīdēt.

► Att.1

- Nestiepieties pārāk tālu un nezāģējiet augstāk par plecu augstumu.** Tādējādi izvairīsieties no netīšas saskares ar uzgali un varēsiet nodrošināt labāku kontroli pār atzarošanas zāģi neparedzētās situācijās.
- Maiņai izmantojiet tikai ražotāja norādītās vadotnes un zāģa ķēdes.** Maiņai izmantojot nepiemērotas vadotnes un zāģa ķēdes, ķēde var tikt pārrauta un/vai ir iespējami atsietieni.
- Ievērojiet ražotāja norādījumus par zāģa ķēdes asināšanu un apkopi.** Dziļummēra augstuma samazināšana var izraisīt pastiprinātu atsietieni.

15. Tīrot iestrēgušus kokmateriālus, kā arī glabājot ķēdes zāģi vai veicot tā apkopi, ievērojiet visus norādījumus. Darbarīkam ir jābūt izslēgtam un akumulatora kasetnei — izņemtai.

Papildu drošības norādījumi

Individuālie aizsardzības līdzekļi

1. Izvēlieties pieguļošu apģērbu, taču tas nedrīkst ierobežot kustības.
2. Darba laikā lietojiet šādus aizsardzības līdzekļus:
 - Pārbaudītu aizsargķiveri, ja pastāv risks, ko rada krītoši zari u.c.;
 - Sejas masku vai aizsargbrilles;
 - Piemērotus ausu aizsargus (ausu aizsegus, standartā vai pielāgojamus ausu aizbāžņus). Pēc pieprasījuma iespējams veikt oktāvas augstuma analīzi.
 - Stingras ādas aizsargcimdus;
 - Garās bikses no izturīga auduma;
 - Aizsargājošu kombinēzonu no auduma, kas noturīgs pret griezumiem;
 - Aizsargapavus vai apavus ar neslīdošu zoli, tērauda pirkstu aizsargu un oderi, kas noturīga pret griezumiem;
 - Gāzmasku, veicot darbu, kura laikā rodas putekļi (piemēram, sausas koksnes zāģēšana).

Eksploatācija

1. **Pirms darba sākšanas pārbaudiet, vai darbarīks ir labā darba kārtībā un vai tā stāvoklis atbilst drošības noteikumiem. It sevišķi pārbaudiet, vai:**
 - jaudas pārtraukšanas bremze darbojas pareizi;
 - stieņa un ķēdesrata pārsegi ir uzlikti pareizi;
 - ķēde ir uzasināta un nospriegota saskaņā ar noteikumiem.
2. **Neiedarbiniet darbarīku, kamēr tam ir uzstādīts ķēdes aizsargs.** Ja darbarīku iedarbina, kamēr tam ir uzstādīts ķēdes aizsargs, iespējama ķēdes aizsarga aizmešana, kas var radīt traumas un sabojāt priekšmetus ap operatoru.
3. **Nestāviet tieši zem zāģējamā zara. Uzmanieties no krītošiem zariem.**
4. **Nelietojiet darbarīku sliktos apstākļos vai ja ir iespējams zibens.**
5. **Izmantojot darbarīku dubļainā vietā, uz mitras slīpas virsmas vai slidenā vietā, raugieties, lai kājām būtu stabils atbalsts.**

Elektrodrošība un akumulatora drošība

1. **Izvairieties no bīstamas vides.** Darbarīku neizmantojiet mitrās vai slapjās vietās un lietū. Ja darbarīkā iekļūst ūdens, palielināsies elektriskā trieciena rašanās risks.
2. **Neatbrīvojieties no akumulatora(-iem), to(-s) dedzinot.** Var rasties eksplozija. Skatiet attiecīgos valsts noteikumus, lai uzzinātu īpašus norādījumus izmešanai atkritumos.
3. **Akumulatoru(-s) nedrīkst atvērt vai sabojāt.** Izcējušais elektrolīts ir kodīgs un var nodarīt kaitējumu acīm vai ādai. Norijot tas var būt toksisks.

4. **Nelādējiet akumulatoru lietū vai mitrās vietās.**
5. **Nelādējiet akumulatoru ārpus telpām.**
6. **Neaiztieciet lādētāju, kā arī lādētāja spraudni vai spaiļes ar slapjām rokām.**
7. **Nemainiet akumulatoru ar mitrām rokām.**
8. **Neatstājiet akumulatoru lietū, kā arī nelādējiet, neizmantojiet un neglabājiet akumulatoru mitrā vai slapjā vietā.**
9. **Nesamitriniet akumulatora spaiļes ar šķidrumu, piemēram, ūdeni, un neiegremdējiet akumulatoru.** Ja spaiļes kļūst mitras vai akumulatorā iekļūst šķidrums, akumulatorā var rasties īsslāgums un pastāv pārkaršanas, aizdegšanās vai sprādziena risks.
10. **Pēc akumulatora izņemšanas no ierīces vai lādētāja raugieties, lai akumulatora vāks tiek piespīrināts pie akumulatora, un glabājiet to sausā vietā.**
11. **Ja akumulatora kasetnē iekļūst ūdens, noteiciet ūdeni un izslaukiet kasetni ar sausu drānu.** Pirms lietošanas ļaujiet akumulatora kasetnei pilnībā nožūt sausā vietā.

SAGLABĀJIET ŠOS NORĀDĪJUMUS.

▲BRĪDINĀJUMS: NEPIEĻAUJIET to, ka labu iemaņu vai izstrādājuma labas pārzināšanas (darbarīku atkārtoti eksploatējot) rezultātā vairs stingri neievērojāt šī izstrādājuma drošības noteikumus. NEPAREIZI LIETOJOT darbarīku vai neievērojot šajā instrukcijā rokasgrāmatā minētos drošības noteikumus, var tikt gūtas smagas traumas.

Svarīgi drošības norādījumi par akumulatora kasetni

1. **Pirms akumulatora lietošanas izlasiet visus norādījumus un brīdinājumus, kuri attiecas uz (1) akumulatora lādētāju, (2) akumulatoru un (3) ierīci, kurā tiek izmantots akumulators.**
2. **Akumulatora kasetni nedrīkst ne pārveidot, ne izjaukt.** Citādi var tikt izraisīta aizdegšanās, pārmerīgs karstums vai sprādziens.
3. **Ja akumulatora darbības laiks kļūva ievērojami īsāks, nekavējoties pārtrauciet to izmantot.** Citādi, tas var izraisīt pārkaršējumu, uzliesmojumu vai pat sprādzienu.
4. **Ja elektrolīts nonāk acīs, izskalojiet tās ar tīru ūdeni un nekavējoties griezties pie ārsta.** Tas var izraisīt redzes zaudēšanu.
5. **Neradiet īssavienojumu akumulatora kasetnē:**
 - (1) **Nepieskarieties spaiļēm ar elektrību vadošiem materiāliem.**
 - (2) **Neuzglabājiet akumulatoru kasetni kopā ar citiem metāla priekšmetiem, tādiem kā naglas, monētas u. c.**
 - (3) **Nepakļaujiet akumulatora kasetni ūdens vai lietus iedarbībai.****Akumulatora īssavienojums var radīt spēcīgu strāvas plūsmu, pārkaršanu, uzliesmojumu un pat sabojāt akumulatoru.**

6. **Neglabājiet un neizmantojiet darbarīku un akumulatora kasetni vietās, kur temperatūra var sasniegt vai pārsniegt 50 °C (122 °F).**
7. **Nededziniet akumulatora kasetni, pat ja tā ir stipri bojāta vai pilnībā nolietota. Akumulatora kasetne ugunī var eksplodēt.**
8. **Akumulatora kasetni nedrīkst naglot, griezt, saspīest, mest vai nomet, kā arī pa to nedrīkst sist ar cietu priekšmetu. Šādas darbības var izraisīt aizdegšanos, pārmērīgu karstumu vai sprādzienu.**
9. **Neizmantojiet bojātu akumulatoru.**
10. **Uz izmantotajiem litija jonu akumulatoriem attiecas likumdošanas prasības par bīstamiem izstrādājumiem.**
Komerציālā transportēšanā, ko veic, piemēram, trešās puses, transporta uzņēmumi, jāievēro uz iesaiņojuma un marķējuma norādītās īpašās prasības.
Lai izstrādājumu sagatavotu nosūtīšanai, jāpasaziņās ar bīstamo materiālu speciālistu. Ievērojiet arī citus attiecināmos valsts normatīvus.
Vajējus kontaktus nosedziet ar līmlenti vai citādi pārklājiet, bet akumulatoru iesaiņojiet tā, lai sainī tas nevarētu izkustēties.
11. **Lai utilizētu akumulatora kasetni, izņemiet to no darbarīka un likvidējiet drošā vietā. Ievērojiet vietējos noteikumus par akumulatora likvidēšanu.**
12. **Izmantojiet šos akumulatorus tikai ar izstrādājumiem, kurus norādījis Makita.** Ievietojot šos akumulatorus nesaderīgos izstrādājumos, var rasties ugunsgrēks, pārmērīgs karstums, tie var uzsprāgt vai no tiem var iztect elektrolīts.
13. **Ja darbarīks netiks lietots ilgu laiku, no tā jāizņem akumulators.**
14. **Lietošanas laikā vai pēc tās akumulatora kasetne var uzkrāt siltumu, kas var izraisīt apdegumus vai zemas temperatūras apdegumus. Ar karstu akumulatora kasetni apejieties rūpīgi.**
15. **Nepieskarieties darbarīka izvadam uzreiz pēc lietošanas, jo tas var būt sakarsis un izraisīt apdegumus.**
16. **Neļaujiet akumulatora kasetnes spailēs, atverēs un rievās uzkrāties skaidām, putekļiem vai netīrumiem. Tas var izraisīt sasilšanu, aizdegšanos, sprādzienu un instrumenta vai akumulatora kasetnes nepareizu darbību, un lietotājs var gūt apdegumus vai ievainojumus.**
17. **Neizmantojiet akumulatora kasetni augstsprieguma līniju tuvumā, izņemot gadījumus, kad darbarīks ir piemērots lietošanai augstsprieguma līniju tuvumā. Citādi darbarīks vai akumulatora kasetne var sākt darboties nepareizi vai tikt sabojāti.**
18. **Glabājiet akumulatoru bērniem nepieejamā vietā.**

SAGLABĀJIET ŠOS NORĀDĪJUMUS.

▲UZMANĪBU: Lietojiet tikai oriģinālos Makita akumulatorus. Ja lietojat neoriģinālus Makita akumulatorus vai pārveidotus akumulatorus, tie var uzsprāgt un izraisīt aizdegšanos, traumas un materiālos zaudējumus. Tikas anulēta arī Makita darbarīka un lādētāja garantija.

Ieteikumi akumulatora kalpošanas laika pagarināšanai

1. **Uzlādējiet akumulatora kasetni, pirms tā ir pilnībā izlādējusies. Vienmēr, kad ievērojat, ka darbarīka darba jauda zudusi, apturiet darbarīku un uzlādējiet akumulatora kasetni.**
2. **Nekad neuzlādējiet pilnībā uzlādētu akumulatora kasetni. Pārmērīga uzlāde saīsina akumulatora kalpošanas laiku.**
3. **Uzlādējiet akumulatora kasetni istabas temperatūrā 10 °C - 40 °C. Karstai akumulatora kasetnei pirms uzlādes ļaujiet atdzist.**
4. **Kad akumulatora kasetne netiek izmantota, izņemiet to no darbarīka vai lādētāja.**
5. **Uzlādējiet litija jonu akumulatora kasetni, ja to ilgstoši nelietosit (vairāk nekā sešus mēnešus).**

DETAĻU APRAKSTS

► Att.2

1	Palīgrokturis	2	Drošības aizsargs	3	Zāga ķēde
4	Virzošā sliede	5	Elļas tvertnes vāciņš	6	Virzošās sliedes vāks
7	Ķēdesrata aizsargs	8	Atbloķēšanas svira	9	Aizmugures rokturis
10	Slēdža mēlīte	11	Svira	12	Akumulatora kasetne

FUNKCIJU APRAKSTS

⚠UZMANĪBU: Pirms darbarīka regulēšanas vai tā darbības pārbaudes vienmēr pārliecinieties, ka darbarīks ir izslēgts un akumulatora kasetne ir izņemta.

Akumulatora kasetnes uzstādīšana un izņemšana

⚠UZMANĪBU: Vienmēr pirms akumulatora kasetnes uzstādīšanas vai noņemšanas izslēdziet darbarīku.

⚠UZMANĪBU: Uzstādot vai izņemot akumulatora kasetni, darbarīku un akumulatora kasetni turiet cieši. Ja darbarīku un akumulatora kasetni netur cieši, tie var izkrist no rokām un radīt bojājumus darbarīkam un akumulatora kasetnei, kā arī izraisīt ievainojumus.

- **Att.3:** 1. Sarkanās krāsas indikators 2. Poga
3. Akumulatora kasetne

Lai izņemtu akumulatora kasetni, izvelciet to no darbarīka, pārbindot kasetnes priekšpusē esošo pogu.

Lai uzstādītu akumulatora kasetni, salāgojiet akumulatora kasetnes mēlīti ar rienu ietvarā un iebīdīet to vietā. Ievietojiet to līdz galam, līdz tā ar klikšķi nokļūst. Ja redzams attēlā parādītais sarkanais krāsas indikators, tas nozīmē, ka tas nav pilnīgi nokļūst.

⚠UZMANĪBU: Vienmēr ievietojiet akumulatora kasetni tā, lai sarkanais indikators nebūtu redzams. Pretējā gadījumā tā var nejauši izkrist no darbarīka un izraisīt jums vai apkārtējiem traumas.

















⚠UZMANĪBU: Neievietojiet akumulatora kasetni ar spēku. Ja kasetne neslīd ietvarā viegli, tā nav pareizi ielikta.

Atlikušās akumulatora jaudas indikators

Tikai akumulatora kasetnēm ar indikatoru

- **Att.4:** 1. Indikatora lampas 2. Pārbaudes poga

Nospiediet akumulatora kasetnes pārbaudes pogu, lai pārbaudītu akumulatora atlikušo uzlādes līmeni. Indikatoru iedegsies uz dažām sekundēm.

Indikatora lampas			Atlikušā jauda
 Iedegsies	 Izslēgts	 Mirgo	
			No 75% līdz 100%
			No 50% līdz 75%
			No 25% līdz 50%
			No 0% līdz 25%
			Uzlādējiet akumulatoru.
 	 		Iespējama akumulatora kļūme.

PIEZĪME: Reālā jauda var nedaudz atšķirties no norādītās atkarībā no lietošanas apstākļiem un apkārtējās temperatūras.

PIEZĪME: Akumulatora aizsardzības sistēmas darbības laikā mirgo pirmais (kreisais malējais) indikators.

Darbarīka/akumulatora aizsardzības sistēma

Darbarīkam ir darbarīka/akumulatora aizsardzības sistēma. Šī sistēma automātiski izslēdz strāvas padevi motoram, lai pagarinātu darbarīka un akumulatora darbību. Lietošanas laikā darbarīks automātiski pārstās darboties, ja darbarīku vai akumulatoru pakļaus kādam no šādiem apstākļiem.

Aizsardzība pret pārslodzi

Ja darbarīku vai akumulatoru lieto tā, ka tas patērē pārlielu strāvas daudzumu, darbarīks automātiski pārtrauc darbību. Šādā gadījumā izslēdziet darbarīku un pārtrauciet darbību, kas izraisa darbarīka pārslodzi. Pēc tam ieslēdziet darbarīku, lai atsāktu darbu.

Aizsardzība pret pārkaršanu

Kad darbarīks vai akumulators ir pārkaris, darbarīks automātiski pārstāj darboties. Šādā gadījumā ļaujiet darbarīkam un akumulatoram atdzist un tikai pēc tam atkal ieslēdziet darbarīku.

Aizsardzība pret akumulatora pārmērīgu izlādi

Ja akumulatora jaudas līmenis ir zems, darbarīks automātiski pārstāj darboties. Šajā gadījumā akumulatoru izņemiet no darbarīka un uzlādējiet.

Slēdža darbība

⚠BRĪDINĀJUMS: Drošības apsvērumu dēļ šis darbarīks ir aprīkots ar atbloķēšanas sviru, kas nepieļauj darbarīka nejaušu iedarbināšanu. **NEKAD** neekspluatējiet darbarīku, ja tas darbojas, kad vienkārši pavelkat slēdža mēlīti, nospiežot atbloķēšanas sviru. **PIRMS** turpmākas ekspluatācijas darbarīku nododiet atbilstošam remontam mūsu pilnvarotā apkopes centrā.

⚠BRĪDINĀJUMS: **NEKAD** nenovērtējiet par zemu un neignorējiet atbloķēšanas sviras mērķi un funkcijas.

⚠UZMANĪBU: Pirms akumulatora kasetnes uzstādīšanas darbarīkā vienmēr pārbaudiet, vai slēdža mēlīte darbojas pareizi un pēc atlaišanas atgriežas stāvoklī „OFF” (izslēgts).

IEVĒRĪBAI: Nevelciet slēdža mēlīti ar spēku, nospiežot atbloķēšanas sviru. Citādi var sabojāt slēdzi.

Lai nevarētu nejauši pavilkt slēdža mēlīti, ir uzstādīta atbloķēšanas svira. Lai ieslēgtu darbarīku, nospiediet atbloķēšanas sviru un slēdža mēlīti. Lai apturētu darbarīku, atlaidiet slēdža mēlīti.

- **Att.5:** 1. Slēdža mēlīte 2. Atbloķēšanas svira

Jaudas pārtraukšanas bremzes pārbaude

⚠UZMANĪBU: Ja pārbaudes laikā zāga ķēde neapstājas dažu sekunžu laikā, pārtrauciet darbarīka ekspluatāciju un sazinieties ar mūsu pilnvaroto apkopes centru.

Darbiniet darbarīku un pēc tam pilnībā atļaidiet slēdža mēlīti. Zāga ķēdei dažu sekunžu laikā ir pilnīgi jāapstājas.

MONTĀŽA

⚠UZMANĪBU: Pirms darbarīka regulēšanas vai apkopes vienmēr pārliecinieties, ka darbarīks ir izslēgts un akumulatora kasetne ir izņemta.

⚠UZMANĪBU: Zāga ķēdei nedrīkst pieskarties ar kailām rokām. Rīkojoties ar zāga ķēdi, vienmēr valkājiet cimdus.

Zāga ķēdes noņemšana vai uzstādīšana

⚠UZMANĪBU: Zāga ķēde un virzošā sliede uzreiz pēc ekspluatācijas vēl ir karsta. Tām vispirms jāatdziest, tikai tad drīkst darbarīku apkopt.

⚠UZMANĪBU: Zāga ķēde jāuzstāda vai jānoņem tīrā vietā, kur nav zāgu skaidu un līdzīgu materiālu.

Zāga asmens noņemšana

Lai noņemtu zāga ķēdi, veiciet šeit norādītās darbības.

1. Pavelciet sviru uz augšu.

▶ **Att.6:** 1. Svira

2. Sviru grieziet pretēji pulksteņrādītāju kustības virzienam, līdz ķēdesrata aizsargu var noņemt.

▶ **Att.7:** 1. Ķēdesrata pārsegs 2. Svira

3. Noņemiet ķēdesrata pārsegu, pēc tam noņemiet zāga ķēdi un zāga sliedi no darbarīka korpusa.

Zāga ķēdes uzstādīšana

Lai zāga ķēdi uzliktu, veiciet šeit norādītās darbības.

1. Pavelciet sviru uz augšu.

▶ **Att.8:** 1. Svira

2. Sviru grieziet pretēji pulksteņrādītāju kustības virzienam, līdz ķēdesrata aizsargu var noņemt.

▶ **Att.9:** 1. Svira 2. Ķēdesrata aizsargs

3. Noņemiet ķēdesrata aizsargu.

4. Savietojiet caurumu zāga sliedē ar tapu uz darbarīka korpusa un pēc tam novietojiet zāga sliedi, kā parādīts attēlā.

▶ **Att.10:** 1. Zāga sliede 2. Caurums 3. Tapu

5. Bīdīet zāga sliedi uz ķēdesrata pusi, lai nofiksetu tapu.

▶ **Att.11:** 1. Zāga sliede 2. Tapu

6. Noņemiet zāga sliedi no darbarīka korpusa.

7. Pārbaudiet, kurā virzienā vērsta zāga ķēde. Zāga ķēdes virzienam ir jāsakrīt ar virziena atzīmi uz darbarīka korpusa.

▶ **Att.12:** 1. Atzīme uz darbarīka korpusa

8. Uzlieciet zāga ķēdes vienu galu uz vadsliedes gala.

9. Otru zāga ķēdes galu aplieciet ap ķēdesratu un pēc tam piestipriniet zāga sliedi pie darbarīka korpusa tā, lai zāga sliedes caurums sakristu ar korpusa tapu.

▶ **Att.13:** 1. Ķēdesrats

Piespiediet zāga sliedi pret darbarīka korpusu, lai atbrīvotu tapu. Zāga ķēdes spriegojums tiek noregulēts automātiski.

▶ **Att.14:** 1. Zāga ķēde 2. Tapu 3. Ķēdesrats

10. Novietojiet ķēdesrata pārsegu tā, lai skrūve un tapu uz darbarīka korpusa sakristu ar tiem atbilstošajiem elementiem uz ķēdesrata pārsega.

▶ **Att.15:** 1. Ķēdesrata aizsargs 2. Bulskrūve 3. Tapu

11. Sviru grieziet pulksteņrādītāju kustības virzienā, līdz ķēdesrata aizsargs ir nostiprināts, tad pagrieziet to sākotnējā pozīcijā.

▶ **Att.16:** 1. Svira 2. Ķēdesrata aizsargs

Gādājiet, lai zāga ķēde nekļūtu vaļīga un lai to varētu netraucēti pakustināt uz priekšu un atpakaļ. Ja nepieciešams, noregulējiet zāga ķēdes nospriegojumu, atsaucei skatot sadaļu par zāga ķēdes nospriegojuma regulēšanu.

Zāga ķēdes nospriegojuma regulēšana

⚠UZMANĪBU: Ķēde, kas ir pārāk vaļīga, var nokrist no sliedes, un tas var izraisīt ievainojumu vai negadījumu.

Pēc daudzām ekspluatācijas stundām zāga ķēde var kļūt vaļīga. Ik pa laikam pirms ekspluatācijas pārbaudiet zāga ķēdes nospriegojumu.

Ja zāga ķēde ir vaļīga, noregulējiet tās nospriegojumu.

1. Pavelciet sviru uz augšu.

▶ **Att.17:** 1. Svira

2. Nedaudz pagrieziet sviru pretēji pulksteņrādītāju kustības virzienam, lai mazliet atbrīvotu ķēdesrata pārsegu. Zāga ķēdes spriegojums tiek noregulēts automātiski.

▶ **Att.18:** 1. Ķēdesrata pārsegs 2. Svira

3. Sviru grieziet pulksteņrādītāju kustības virzienā, līdz ķēdesrata aizsargs ir nostiprināts, tad pagrieziet to sākotnējā pozīcijā.

▶ **Att.19:** 1. Svira 2. Ķēdesrata aizsargs

EKSPLUATĀCIJA

Elļošana

⚠UZMANĪBU: Neizmantojiet darbarīku, ja tvertne ir tukša. Laicīgi papildiniet eļļas daudzumu, pirms tvertne kļūst tukša.

⚠UZMANĪBU: Uzmanieties, lai eļļa nesaskartos ar ādu un acīm. Saskaroties ar acīm, rodas kairinājums. Ja eļļa iekļuvusi acīs, nekavējoties izskalojiet tās ar tīru ūdeni un pēc tam sazinieties ar ārstu.

⚠UZMANĪBU: Nekad neizmantojiet lietotu eļļu. Lietota eļļa satur kancerogēnas vielas. Piesārņojums lietotajā eļļā izraisa paātrinātu eļļas sūkņa, sliedes un ķēdes nolietošanos. Lietota eļļa ir kaitīga apkārtējai videi.

IEVĒRĪBAI: Kad izmantojat darbarīku pirmo reizi, vajadzīgas aptuveni divas minūtes, līdz zāga ķēdes eļļa sāk ieeļļot zāga mehānismu. Darbiniet zāgi bez noslodzes, kamēr tas ieeļļojas.

IEVĒRĪBAI: Ja ķēdes eļļu iepildāt pirmo reizi vai tvertni uzpildāt pēc tās pilnīgas iztukšošanas, eļļu iepildiet līdz ielietnes apakšējai malai. Nepiepildīšanas gadījumā eļļas padeve var būt traucēta.

IEVĒRĪBAI: Izmantojiet tikai Makita darbarīkiem paredzētu zāgu ķēdes eļļu vai līdzvērtīgu tirdzniecībā pieejamu eļļu.

IEVĒRĪBAI: Nekad neizmantojiet eļļu, kas satur putekļus un sīkas daļiņas, vai eļļu, kas ātri iztvaiko.

IEVĒRĪBAI: Apzāģējot kokus, lietojiet augu eļļu. Minerāleļļa var kaitēt kokiem.

IEVĒRĪBAI: Pirms zāģēšanas darbībām pārliecinieties, ka eļļas tvertnes vāciņš ir ieskrūvēts vietā.

Zāga ķēde darba laikā tiek eļļota automātiski. Regulāri pārbaudiet eļļas tvertnē atlikušās eļļas daudzumu, apskatot caur eļļas pārbaudes lodziņu.

► **Att.20:** 1. Eļļas pārbaudes lodziņš 2. Eļļas tvertnes vāciņš

Lai uzpildītu eļļu, veiciet tālāk norādītās darbības.

1. Pilnībā notīriet laukumu ar eļļas tvertnes vāciņu, lai eļļas tvertnē neiekļūtu netīrumi.
2. Novietojiet darbarīku uz sāniem.
3. Nospiediet pogu uz eļļas tvertnes vāciņa, lai poga otrā pusē izvīzītos, un tad grieziet eļļas tvertnes vāciņu, lai to noņemtu.
► **Att.21:** 1. Eļļas tvertnes vāciņš 2. Pievelciets 3. Atskrūvējiet vaļņgāk
4. Uzpildiet eļļas tvertni ar eļļu. Pareizais eļļas daudzums ir 55 ml.
5. Cieši uzskrūvējiet atpakaļ eļļas tvertnes vāciņu.
6. Rūpīgi noslaukiet ķēdes eļļas paliekas uz zāga.

PIEZĪME: Ja rodas grūtības noņemt eļļas tvertnes vāciņu, ievietojiet plakangala skrūvngriezī galu eļļas tvertnes vāciņa rievā un tad grieziet to pretēji pulksteņrādītāju kustības virzienam, lai noņemtu vāciņu.

► **Att.22:** 1. Atvere 2. Plakangala skrūvngriezis

Pēc uzpildīšanas turiet darbarīku atstatu no zāģējamā materiāla. Iedarbiniet to un nogaidiet, līdz zāga ķēde ir pietiekami ieeļļota.

► **Att.23**

Darbs ar darbarīku

⚠UZMANĪBU: Netuviniet nevienu ķermeņa daļu zāga ķēdei, kad darbarīks darbojas.

⚠UZMANĪBU: Kad darbarīks darbojas, stingri turiet to ar abām rokām.

⚠UZMANĪBU: Nestiepieties. Vienmēr stingri stāviet uz piemērota atbalsta un saglabājiet līdzsvaru.

IEVĒRĪBAI: Darbarīku nekur nesviediet un nemetiet zemē.

IEVĒRĪBAI: Neapsedziet darbarīka atveres.

Pirms darbarīka iedarbināšanas novietojiet zāga sliedes pamatni un darbarīka korpusa balsta daļu uz zāģējamā zara, kā parādīts attēlā. Saglabājot darbarīka un zāga sliedes saskari ar zaru, iedarbiniet darbarīku un zāģējiet zaru, virzot darbarīku uz leju pa zaru.

► **Att.24**

⚠UZMANĪBU: Pirms zāģēšanas pārbaudiet, vai zāģējamais zars saskaras ar zāga sliedes pamatni un darbarīka korpusa balsta daļu. Pretējā gadījumā darbarīks var rauties uz zāga sliedes gala pusi, un zāga sliede var svārstīties, kas var izraisīt traumas.

Darbarīka pārvietošana

Pirms darbarīka pārvietošanas vienmēr izņemiet no darbarīka akumulatora kasetni. Pēc tam piestipriniet vadotnes vāku. Akumulatora kasetnei uzlieciet arī akumulatora vāku.

► **Att.25:** 1. Virzošās sliedes vāks 2. Akumulatora vāks

APKOPE

⚠UZMANĪBU: Pirms darbarīka pārbaudes vai apkopes vienmēr pārliecinieties, ka darbarīks ir izslēgts un akumulatora kasetne ir izņemta.

⚠UZMANĪBU: Veicot pārbaudi vai tehnisko apkopi, vienmēr valkājiet cimdus.

IEVĒRĪBAI: Nekad neizmantojiet gazoļīnu, benzīnu, atšķaidītāju, spirtu vai līdzīgus šķidrumus. Tas var radīt izbalēšanu, deformāciju vai plaisas.

Lai saglabātu uzstrādājuma DROŠU un UZTICAMU darbību, remontdarbus, apkopi un regulēšanu uzticiet veikt tikai Makita pilnvarotam vai rūpnīcas apkopes centram, un vienmēr izmantojiet tikai Makita rezerves daļas.

Zāga ķēdes asināšana

Zāga ķēde jāasina, ja:

- zāgējot mitru koku, rodas irdenas zāgskaidas;
- ķēde ar grūtībām zāgē koku, pat ja to piespiež stingri;
- griezējuma ir acīm redzami bojāta;
- zāģis kokā raujas pa kreisi vai pa labi. (Nevienmērīgi uzasinātas zāga ķēdes dēļ vai bojājums ir tikai vienā pusē.)

Zāga ķēdi asiniet bieži, taču katru reizi tikai nedaudz. Ikdienas uzasināšanai parasti pietiek ar diviem vai trim vilēs pārvilcieniem. Kad zāga ķēde asināta vairākas reizes, nogādājiet to mūsu pilnvarotajā apkopes centrā, lai to tur uzasinātu.

Asināšanas kritēriji

▲BRĪDINĀJUMS: Pārmērīgs attālums starp griezējumu un dziļummēru palielina atsītena iespējamību.

- **Att.26:** 1. Zoba garums 2. Attālums starp griezējumu un dziļummēru 3. Minimālais zoba garums (3 mm)

- Visiem zobiem jābūt vienādā garumā. Atšķirīga zobu garuma dēļ zāga ķēde nedarbojas vienmērīgi, tādēļ zāga ķēde var salūzt.
- Neasiniet ķēdi, ja zobs ir 3 mm garš vai īsāks. Ķēde jānomaina pret jaunu.
- Skaidu biežumu nosaka attālums starp dziļummēru (apaļgalu) un griezējumu.
- Vislabāk ķēde zāgē tad, ja starp griezējumu un dziļummēru ir tālāk norādītais attālums.
 - Ķēdes asmens 80TXL: 0,65 mm

► Att.27

- Visiem zobiem jābūt vienādam asināšanas leņķim – 30°. Ja zobu leņķi būs dažādi, ķēde darbosies raupij un nevienmērīgi, pārāk ātri nolietosies un salūzīs.
- Lai pret zobu noturētu pareizu asināšanas leņķi, jāizmanto piemērota apaļā vīle.
 - Ķēdes asmens 80TXL: 55°

Vīle un vīles bīdītājs

- Lai uzasinātu zāga ķēdi, izmantojiet īpašu apaļo vīli (papildpiederums). Parastās apaļās vīles nav piemērotas.
- Diametrs atbilstošajām apaļajām vīlēm ir tālāk norādīts.
 - Ķēdes asmens 80TXL: 4,0 mm
- Ķēde ar vīli jāvilē tikai virzienā uz priekšu. Atpakaļgājienā vīli no ķēdes noņemiet.
- Īsākos zobus asiniet vispirms. Šo zobu garums nosaka visu pārējo zāga ķēdes zobu nepieciešamo garumu.
- Vīli virziet tā, kā attēlots zīmējumā.

- **Att.28:** 1. Vīle 2. Zāga ķēde

- Ja izmanto vīles turētāju (papildaprīkojums), virzīt vīli ir daudz vieglāk. Uz vīles turētāja ir atzīmes pareizam asināšanas leņķim 30° (atzīmes centrējiet paralēli zāga ķēdei), un tas ierobežo iespējamās dziļumu (līdz 4/5 no vīles diametra).

- **Att.29:** 1. Vīles turētājs

- Pēc ķēdes uzasināšanas pārbaudiet dziļummēra augstumu, izmantojot ķēdes mērinstrumentu (papildaprīkojums).

► Att.30

- Ar īpašu plakano vīli (papildaprīkojums) nogludiniet visus nelīdzenumus, pat mazus.
- Vēlreiz noapaļojiet dziļummēra priekšējo daļu.

Notīriet virzošo sliedi

Virzošās sliedes rievā uzkrāsies skaidas un putekļi. Tie var aizsprostot sliedes rievu un traucēt eļļas plūsmu. Skaidas un putekļus iztīriet katru reizi, kad asināt vai nomaināt zāga ķēdi.

► Att.31

Ķēdesrata aizsarga tīrīšana

Skaidas un putekļi uzkrāsies ķēdesrata aizsarga iekšpusē. No darbarīka noņemiet ķēdesrata aizsargu un zāga ķēdi, tad iztīriet skaidas un putekļus.

► Att.32

Eļļas izvades atveres tīrīšana

Darbības laikā eļļas izvades atverē var uzkrāties putekļi vai mazas daļiņas. Šie putekļi vai daļiņas var samazināt eļļas plūsmu un izraisīt nepietiekamu visas ķēdes eļļošanu. Ja konstatēta vāja eļļas padeve virzošās sliedes galā, iztīriet eļļas izvades atveri.

1. No darbarīka noņemiet ķēdesrata aizsargu un zāga ķēdi.
2. Aizvēciet sīkus putekļus vai daļiņas, izmantojot plakana uzgaļa skrūvgriezi vai līdzīgu darbarīku.
- **Att.33:** 1. Plakangala skrūvgriezis 2. Eļļas izvades atvere
3. Darbarīkā ielieciet akumulatora kasetni. Pavelciet slēdža mēlīti, lai no eļļas izvades atveres izvadītu uzkrājušos putekļus vai daļiņas, iztecinot ķēdes eļļu.

4. Noņemiet akumulatora kasetni no darbarīka. Uztādiet darbarīkam ķēdesrata pārsegu, zāga ķēdi un zāga sliedi.

Ķēdesrata nomaiņa

▲UZMANĪBU: Nodilis ķēdesrats sabojās jaunu zāga ķēdi. Šajā gadījumā nomainiet ķēdesratu.

Pirms jaunas zāga ķēdes uzlikšanas pārbaudiet ķēdesrata stāvokli.

- **Att.34:** 1. Ķēdesrats 2. Izdiluma zonas

Vienmēr, nomainot ķēdesratu, uzstādiet jaunu bloķēšanas gredzenu.

- **Att.35:** 1. Bloķēšanas gredzens 2. Ķēdesrats

IEVĒRĪBAI: Pārlicinieties, ka ķēdesrats uzstādīts tā, kā parādīts attēlā.

Darbarīka glabāšana

1. Pirms darbarīka novietošanas glabāšanai iztīriet to. Pēc ķēdesrata aizsarga noņemšanas no darbarīka iztīriet skaidas un putekļus.
2. Pēc darbarīka iztīrīšanas darbiniet to bez noslodzes, lai ieeļļotu zāga ķēdi un virzošo sliedi.
3. Virzošajai slidei uzlieciet virzošās sliedes vāku.
4. Iztukšojiet eļļas tvertni.

Norādījumi par regulāru tehnisko apkopi

Lai nodrošinātu ilgu darbarīka kalpošanas laiku, nepieļautu bojājumus un garantētu drošības aprīkojuma pilnīgu funkcionēšanu, regulāri jāveic tālāk norādītie tehniskās apkopes darbi. Garantijas remonta pieprasījumu pieņem tikai tad, ja šos darbus veic regulāri un pareizi. Neveicot norādīto tehnisko apkopi regulāri, ir iespējami negadījumi! Darbarīka lietotājs nedrīkst veikt tādas tehniskās apkopes darbus, kas nav aprakstīti šajā lietošanas rokasgrāmatā. Visi šāda veida darbi jāveic mūsu pilnvarotā apkopes centrā.

Pārbaudāmais viensoms/veikšanas laiks		Pirms izmantošanas	Katru dienu	Reizi nedēļā	Reizi 3 mēnešos	Reizi gadā	Pirms glabāšanas
Viss darbarīks	Apskate.	✓	-	-	-	-	-
	Tīrīšana.	-	✓	-	-	-	-
	Pārbaude pilnvarotā apkopes centrā.	-	-	-	-	✓	✓
Zāģa ķēde	Apskate.	✓	-	-	-	-	-
	Asināšana, ja vajag.	-	-	-	-	-	✓
Virzošā sliede	Apskate.	✓	✓	-	-	-	-
	Noņemiet no darbarīka.	-	-	-	-	-	✓
Ķēdes eļļošana	Pārbaudīt eļļas padeves ātrumu.	✓	-	-	-	-	-
Slēdža mēlīte	Apskate.	✓	-	-	-	-	-
Atbloķēšanas svira	Apskate.	✓	-	-	-	-	-
Eļļas tvertnes vāciņš	Pārbaudīt ciešumu.	✓	-	-	-	-	-
Skrūves un uzgriežņi	Apskate.	-	-	✓	-	-	-

PROBLĒMU NOVĒRŠANA

Pirms nodošanas remontā vispirms veiciet pārbaudi pats. Ja konstatējat kļūmi, kas nav aprakstīta rokasgrāmatā, nemēģiniet darbarīku izjaukt. Dodieties uz Makita pilnvarotu apkopes centru un remontam vienmēr izmantojiet tikai Makita rezerves daļas.

Nefunkcionēšanas stāvoklis	Iemesls	Rīcība
Darbarīks nesāk darboties.	Nav ievietota akumulatora kasetne.	Ievietojiet uzlādētu akumulatora kasetni.
	Akumulatora problēma (niecīga jauda).	Uzlādējiet akumulatora kasetni. Ja uzlāde nesniedz vēlamo rezultātu, nomainiet akumulatora kasetni.
Pēc īsa darbošanās brīža dzinējs noslāpst.	Akumulatora uzlādes līmenis ir par zemu.	Uzlādējiet akumulatora kasetni. Ja uzlāde nesniedz vēlamo rezultātu, nomainiet akumulatora kasetni.
Uz ķēdes nav eļļas.	Eļļas tvertne ir tukša.	Uzpildiet eļļas tvertni.
	Eļļas slīdes rievā ir netīra.	Izīrīriet rievu.
Darbarīks nesasniedz maksimālo apgrīzīenu skaitu minūtē.	Akumulatora kasetne ievietota nepareizi.	Akumulatora kasetni uzstādiet, kā aprakstīts šajā rokasgrāmatā.
	Samazinās akumulatora jauda.	Uzlādējiet akumulatora kasetni. Ja uzlāde nesniedz vēlamo rezultātu, nomainiet akumulatora kasetni.
	Piedziņas sistēma nedarbojas pareizi.	Lūdziet, lai pilnvarotā apkopes centrā jūsu reģionā to saremontē.
Pārmērīga vibrācija: nekavējoties apturiet darbarīku!	Palaidiet vaļīgāk virzošo sliedi vai zāga ķēdi.	Pieregulējiet virzošās slīdes un zāga ķēdes nospiļojumu.
	Darbarīks nestrādā.	Lūdziet, lai pilnvarotā apkopes centrā jūsu reģionā to saremontē.
Zāga ķēdi nevar uzmontēt.	Zāga ķēde nav saderīga ar ķēdesratu.	Lai uzzinātu, kādas zāga ķēdes un ķēdesrati ir saderīgi, skatiet tehnisko datu sadaļu.

PAPILDU PIEDERUMI

⚠ UZMANĪBU: Šādi piederumi un papildierīces tiek ieteiktas lietošanai ar šajā rokasgrāmatā aprakstīto Makita darbarīku. Izmantojot citus piederumus vai papildierīces, var tikt radīta traumu gūšanas bīstamība. Piederumu vai papildierīci izmantojiet tikai paredzētajam mērķim.

Ja jums vajadzīga palīdzība vai precīzāka informācija par šiem piederumiem, vērsieties savā tuvākajā Makita apkopes centrā.

- Zāga ķēde
- Virzošā sliede
- Virzošās slīdes vāks
- Vīle
- Instrumentu somiņa
- Makita oriģinālais akumulators un lādētājs

PIEZĪME: Daži sarakstā norādītie izstrādājumi var būt iekļauti instrumenta komplektācijā kā standarta piederumi. Tie dažādās valstīs var būt atšķirīgi.

SPECIFIKACIJOS

Modelis:		DUC101
Bendrasis ilgis (be kreipimo juostos ir akumulatoriaus)		357 mm
Vardinė įtampa		Nuol. sr. 18 V
Grynasis svoris	*1	1,1 kg
	*2	1,6–2,0 kg
Standartinis kreipiamosios juostos ilgis		100 mm
Rekomenduojamas pjovimo juostos ilgis		100 mm
Tinkamas grandininio pjūklo tipas (žr. toliau pateiktą lentelę)		80TXL
Žvaigždutė	Dantų skaičius	7
	Žingsnis	0,325"
Grandinės greitis		0–8,0 m/s (0–480 m/min)
Grandinės alyvos bakelio tūris		55 cm ³

- Atliekame tęstinius tyrimus ir nuolatos tobuliname savo gaminius, todėl čia pateikiamos specifikacijos gali būti keičiamos be įspėjimo.
- Skirtingose šalyse specifikacijos gali skirtis.

*1: Svoris be pjūklo grandinės, kreipimo juostos, kreipimo juostos gaubto, alyvos ir akumulatoriaus kasetės (-ių).

*2: mažiausio ir didžiausio svorių derinys pagal 2014 sausio mėn. EPTA procedūrą. Svoris gali priklausyti nuo priedo (-ų), įskaitant akumulatoriaus kasetę (-es).

Pjūklo grandinės, kreipimo juostos ir žvaigždutės derinys

Grandininio pjūklo tipas		80TXL
Pavaros jungčių skaičius		26
Pjovimo juosta	Pjovimo juostos ilgis	100 mm
	Pjovimo ilgis	111 mm
	Pasvirimas	0,325"
	Ribotumas	1,1 mm
	Tipas	Juosta kieta priekine dalimi
Žvaigždutė	Dantų skaičius	7
	Žingsnis	0,325"

⚠️ ĮSPĖJIMAS: Naudokite tinkamą pjovimo juostą ir grandininį pjūklą. Antraip galite susižaloti.

Tinkama akumulatoriaus kasetė ir (arba) įkroviklis

Akumulatoriaus kasetė	BL1815N / BL1820B / BL1830B / BL1840B / BL1850B / BL1860B
Įkroviklis	DC18RC / DC18RD / DC18RE / DC18SD / DC18SE / DC18SF / DC18SH / DC18WC

- Atsižvelgiant į gyvenamosios vietos regioną, kai kurios pirmiau nurodytos akumulatoriaus kasetės ir įkrovikliai gali būti neprieinami.

⚠️ ĮSPĖJIMAS: Naudokite tik akumulatoriaus kasetes ir įkroviklius, kurie nurodyti anksčiau. Naudojant bet kurias kitas akumulatoriaus kasetes ir įkroviklius, gali kilti sužeidimo ir gaisro pavojus.

Rekomenduojamas laidu prijungiamas maitinimo šaltinis

Nešiojamasis maitinimo šaltinis	PDC01
---------------------------------	-------

- Atsižvelgiant į gyvenamosios vietos regioną, pirmiau nurodytas (-i) laidu prijungiamas (-i) maitinimo šaltinis (-iai) gali būti neprieinamas (-i).
- Prieš naudodami laidu prijungiamą maitinimo šaltinį, perskaitykite instrukciją ir ant jų pateiktus perspėjimus.

Simboliai

Toliau yra nurodyti simboliai, kurie gali būti naudojami įrangai. Prieš naudodami įsitikinkite, kad suprantate jų reikšmę.



Perskaitykite instrukcijų vadovą.



Naudokite apsauginius akinius ir apsaugines klausos priemones.



Įrankį visada valdykite abiem rankomis.



Saugokitės atatrunkos ir nesilieskite prie juostos galiuko.



Saugokite nuo drėgmės.



Didžiausias leistinasis pjovimo ilgis



Grandinės eigos kryptis



Ni-MH
Li-Ion

Taikoma tik ES šalims
Kadangi įrangoje yra pavojingų komponentų, panaudota elektrinė ir elektroninė įranga, akumulatoriai ir baterijos gali turėti neigiamą poveikio aplinkai ir žmonių sveikatai.
Nešalinkite elektros ir elektroninių prietaisų ar baterijų kartu su buitinėmis atliekomis! Pagal Europos direktyvą dėl elektros ir elektroninės įrangos atliekų bei akumuliatorių ir baterijų ir panaudotų akumuliatorių ir baterijų bei jos pritaikymą nacionaliniams įstatymams, panaudota elektros ir elektroninė įranga, baterijos ir akumulatoriai turi būti surenkami atskirai ir pristatomi į atskirą buitinių atliekų surinkimo punktą, kuris veikia pagal aplinkos apsaugos taisykles. Tai rodo perbrauktas konteinerio ant ratukų simbolis, pateiktas ant įrangos.



Garantuojamas garso galios lygis pagal ES lauko triukšmo direktyvą.



Garso galios lygis pagal Australijos NSW triukšmo kontrolės reglamentą

Numatytoji naudojimo paskirtis

Šis įrankis, ant kurio sumontuota pjovimo grandinė, skirtas medžių bei krūmų šakoms pjauti.

Triukšmas

Įprastas triukšmo A lygis, nustatytas pagal EN62841-4-1:

Garso slėgio lygis (L_{pA}): 76 dB (A)

Garso galios lygis (L_{WA}): 87 dB (A)

Paklaida (K): 3 dB (A)

PASTABA: Paskelbta (-os) triukšmo reikšmė (-ės) nustatyta (-os) pagal standartinį testavimo metodą ir ji galima naudoti vienam įrankiui palyginti su kitu.

PASTABA: Paskelbta (-os) triukšmo reikšmė (-ės) taip pat gali būti naudojama (-os) norint preliminariai įvertinti triukšmo poveikį.

▲ISPĖJIMAS: Dėvėkite ausų apsaugą.

▲ISPĖJIMAS: Faktiškai naudojant elektrinį įrankį, keliamo triukšmo dydis gali skirtis nuo paskelbtos (-ų) reikšmės (-ių), priklausomai nuo būdų, kuriais yra naudojamas šis įrankis, ir ypač nuo to, kokio tipo ruošinys apdirbamas.

▲ISPĖJIMAS: Siekdami apsaugoti operatorių, būtina įvertinkite saugos priemones, remdamiesi vibracijos poveikio įvertinimu esant faktinėms naudojimo sąlygoms (atsižvelgdami į visas darbo ciklo dalis, pavyzdžiui, ne tik kiek laiko įrankis veikia, bet ir kiek kartų jis yra išjungiamas bei kai jis veikia be apkravų).

Vibracija

Vibracijos bendroji vertė (triaušo vektoriaus suma) nustatyta pagal EN62841-4-1 standartą:

Darbo režimas: medžio pjovimas

Vibracijos emisija (a_{w} , w): 4,6 m/s²

Paklaida (K): 1,5 m/s²

PASTABA: Paskelbta (-os) vibracijos bendroji (-osios) reikšmė (-ės) nustatyta (-os) pagal standartinį testavimo metodą ir ji galima naudoti vienam įrankiui palyginti su kitu.

PASTABA: Paskelbta (-os) vibracijos bendroji (-osios) reikšmė (-ės) taip pat gali būti naudojama (-os) norint preliminariai įvertinti vibracijos poveikį.

▲ISPĖJIMAS: Faktiškai naudojant elektrinį įrankį, keliamos vibracijos dydis gali skirtis nuo paskelbtos (-ų) reikšmės (-ių), priklausomai nuo būdų, kuriais yra naudojamas šis įrankis, ir ypač nuo to, kokio tipo ruošinys apdirbamas.

▲ISPĖJIMAS: Siekdami apsaugoti operatorių, būtina įvertinkite saugos priemones, remdamiesi vibracijos poveikio įvertinimu esant faktinėms naudojimo sąlygoms (atsižvelgdami į visas darbo ciklo dalis, pavyzdžiui, ne tik kiek laiko įrankis veikia, bet ir kiek kartų jis yra išjungiamas bei kai jis veikia be apkravų).

Atitikties deklaracijos

Tik Europos šalims

Atitikties deklaracijos įtrauktos į šios naudojimo instrukcijos A priedą.

SAUGOS ĮSPĖJIMAI

Bendrieji įspėjimai dirbant elektriniais įrankiais

▲ISPĖJIMAS Perskaitykite visus saugos įspėjimus, nurodymus, peržiūrėkite paveikslėlius ir technines sąlygas, pateiktas su šiuo elektriniu įrankiu. Nesilaikant toliau pateiktų nurodymų, galima patirti elektros šoką, sunkų sužalojimą ir (arba) sukelti gaisrą.

Išsaugokite visus įspėjimus ir instrukcijas, kad galėtumėte jas peržiūrėti ateityje.

Terminas „elektrinis įrankis“ pateiktuose įspėjimuose reiškia į maitinimo tinklą jungiamą (laidinį) elektrinį įrankį arba akumulatoriaus maitinamą (belaidį) elektrinį įrankį.

Bendrieji įspėjimai dėl grandininio genėjimo pjūklo saugos

- Kai veikia grandininis genėjimo pjūklas, visos kūno dalys turi būti atokiai nuo pjūklo grandinės. Prieš paleisdami grandininį genėjimo pjūklą, įsitikinkite, kad pjūklo grandinė nieko neličia.** Akimirka nukreipus dėmesį, veikiantis grandininis genėjimo pjūklas gali įtraukti drabužius pjūklo grandine arba sužeisti.
- Visada laikykite grandininį genėjimo pjūklą viena ranka už galinės rankenos, o kita – už papildomos rankenos.**
- Laikykite grandininį genėjimo pjūklą tik už izoliuotų suėmimo paviršių, nes pjūklo grandinė gali paliesti paslėptus laidus.** Pjūklo grandinei prisilietus prie laido, kuriuo teka srovė, neizoliuotos metalinės grandininio genėjimo pjūklo dalys gali sukelti operatoriui elektros šoką.
- Naudokite apsaugines akių priemones. Taip pat rekomenduojamos apsauginės klausos, galvos, rankų, kojų ir pėdų priemonės.** Atitinkamos apsauginės priemonės sumažins sužeidimo dėl skriejančių atliekų ar atsitiktinio sąlyčio su pjūklo grandine tikimybę.
- Nenaudokite grandininio genėjimo pjūklo medyje, stovėdami ant kopėčių, stogo ar bet kokios nestabilios atramos.** Tokiu būdu naudojant grandininį genėjimo pjūklą galima sunkiai susižaloti.
- Visada tvirtai remkitės kojomis ir grandininį genėjimo pjūklą naudokite tik stovėdami ant tvirtos, saugaus ir lygaus pagrindo.** Stovint ant slidžių arba nestabilių paviršių galima prarasti pusiausvyrą arba nesuvaldyti grandininio genėjimo pjūklo.
- Pjaudami jėgos veikiamą šaką, saugokitės, nes ji gali atšokti.** Kai medžio plaušai atpalaiduojami, jėgos veikiamą šaką gali kliudyti operatorių ir (arba) sutrikdyti grandininio genėjimo pjūklo veikimą.
- Būkite ypač atsargūs pjaudami krūmus ir sodinukus.** Grandininis pjūklas gali kliudyti plonas medžio daleles ir suplakti jas į jūsų pusę, arba dėl to galite prarasti pusiausvyrą.
- Grandininį genėjimo pjūklą neškite išjungtą, laikydami atokiai nuo savo kūno.** Transportuodami ar sandėliuodami grandininį genėjimo pjūklą, būtinai sumontuokite kreipimo juostos gaubtą. Tinkamai naudojant grandininį genėjimo pjūklą, sumažės atsitiktinio sąlyčio su judančia pjūklo grandine tikimybė.
- Vadovaukitės tepimo, grandinės įtempimo ir juostos keitimo instrukcija.** Netinkamai įtempta ar sutepta grandinė gali trūkti ar padidinti atatrunkos tikimybę.

- Pjaukite tik medieną. Nenaudokite grandininio genėjimo pjūklo ne pagal paskirtį.** Pavyzdžiui, nenaudokite grandininio genėjimo pjūklo metalui, plastikui, mūriui ar statybinėms medžiagoms, išskyrus medieną, pjauti. Jei grandininis genėjimo pjūklas bus naudojamas darbams, kuriems jis nėra skirtas, gali kilti pavojus.
- Šis grandininis genėjimo pjūklas nėra skirtas medžiams kirsti.** Jei grandininis genėjimo pjūklas bus naudojamas ne pagal paskirtį, gali sunkiai susižaloti operatorius arba pašaliniai žmonės.
- Šalindami užstrigusią medžiagą, sandėliuodami grandininį genėjimo pjūklą ar atlikdami jo priežiūrą, laikykitės visų instrukcijų. Užtikrinkite, kad būtų išjungtas jungiklis ir išimtas akumulatorius.**
- Atatrunkos priežastys ir profilaktiniai operatoriaus veiksmai**
Atatranka gal įvykti tada, kai kreipimo juostos antgalis ar galiukas liečia daiktą arba kai pjūklo grandinė priartėja prie medžio ir įstringa į pjovoję. Kai kuriais atvejais galiuko prisilietimas prie objekto gali būti staigios priešingos reakcijos priežastis, kai kreipimo juosta trukteli į viršų link operatoriaus. Spaudžiant pjūklo grandinę viršutinėje kreipimo juostos dalyje, pjovimo juosta gali greitai pasisukti link operatoriaus.
Dėl bet kurios iš šių reakcijų galite nesuvaldyti pjūklo ir sunkiai susižeisti. Nepasitikėkite vien tik pjūklo sumontuotais saugos įtaisais. Grandininio genėjimo pjūklo naudotojai turėtų atlikti keletą veiksmų, siekdami išvengti nelaimingų atsitikimų ir sužeidimo vykdat pjovimo darbus.
Atatranka yra piktnaudžiavimo grandininio genėjimo pjūklu ir (arba) netinkamų darbo procedūrų ar sąlygų rezultatas, jos galima išvengti vadovaujantis toliau nurodytomis atsargumo priemonėmis.
 - Laikykite tvirtai, nykščiu bei pirštais suėmę grandininio genėjimo pjūklo rankenas ir uždėję ant pjūklo abi rankas; kūnas ir ranka turi būti tokioje padėtyje, kad galėtumėte atlaikyti atatrunkos jėgas.** Operatorius gali kontroliuoti atatrunkos jėgas, jei imasi reikiamų atsargumo priemonių. Nepaleiskite grandininio genėjimo pjūklo.
- Pav.1**
 - Nesiekite per toli ir nepjaukite virš pečių lygio.** Tai padeda išvengti nenumatyto galiuko prisilietimo ir suteikia galimybę nenumatytoje situacijoje geriau valdyti grandininį genėjimo pjūklą.
 - Naudokite tik gamintojo nurodytas kreipimo juostas ir pjūklo grandines.** Netinkamos keičiamosios kreipimo juostos ir pjūklo grandinės gali sukelti grandinės nutrūkimą ir (arba) atatrunką.
 - Laikykitės gamintojo nurodytų grandininio pjūklo galandimo ir priežiūros instrukcijų.** Dėl sumažinto gylio ribotuvo aukščio gali padidėti atatranka.
- Šalindami užstrigusią medžiagą, sandėliuodami grandininį genėjimo pjūklą ar atlikdami jo priežiūrą, laikykitės visų instrukcijų. Užtikrinkite, kad būtų išjungtas jungiklis ir išimtas akumulatorius.**

Papildomi nurodymai dėl saugumo

Asmeninės apsaugos priemonės

1. Rūbai turi būti prigludę, bet neveržantys judesių.
2. Dirbdami naudokite tokias apsaugos priemones:
 - Patvirtintas saugos šalmas, jei pavojų kelia krintančios šakos ar pan.;
 - Veido kaukė arba apsauginiai akiniai;
 - Tinkama klausos apsauga (ausinės, įprastiniai ar modeliuojami ausų kištukai). Pageidaujant - oktavinė triukšmo analizė.
 - Apsauginės pirštinės iš tvirtos odos;
 - Ilgos kelnės, pasiūtos iš tvirtos medžiagos;
 - Apsauginis kombinezonas iš pjovimui atsparios medžiagos;
 - Apsauginiai batai su neslystančiais padais, plieniniais galais ir pjovimui atsparaus audinio apdaila;
 - Respiratorius, jei dirbant kykla daug dulkių (pvz., pjaunant sausą medį).

Naudojimas

1. **Prieš pradėdami dirbti patikrinkite, ar įrankis yra tinkamos darbinės būklės, ir ar atitinka saugos reglamentus. Ypač svarbu patikrinti, ar:**
 - tinkamai veikia sustojimo stabdys;
 - tinkamai uždėti strypas ir grandininio rato dangtelis;
 - grandinė buvo pagალšta ir įtempta pagal taisykles.
2. **Nepaleiskite įrankio, kai ant jo montuojamas grandinės gaubtas.** Paleidus įrankį su montuojamu grandinės gaubtu, šis gali būti nusviestas pirmyn ir ką nors sužaloti arba apgadinti šalia operatoriaus esančius daiktus.
3. **Nestovėkite tiesiai po pjaunama šaka.** Saugokitės krentančių šakų.
4. **Nenaudokite įrankio, kai prastas oras arba yra žaibavimo pavojus.**
5. **Kai naudojate įrankį ant purvinos dirvos, drėgno nuolydžio ar slidžios vietos, atkreipkite dėmesį į pagrindą po kojomis.**

Elektros ir akumulatoriaus sauga

1. **Venkite pavojingos aplinkos.** Nenaudokite šio įrankio drėgnoje arba šlapioje vietoje, saugokite jį nuo lietaus. Į įrankį patekęs vanduo padidins elektros smūgio pavojų.
2. **Nemeskite akumulatoriaus (-ių) į ugnį.** Akumulatoriaus elementas gali sprogti. Pasitikrinkite, ar vietiniai įstatymai nenurodo specialaus išmetimo būdo.
3. **Neatidarykite ir neardykite akumulatoriaus (-ių).** Ištekėjęs elektrolitas yra šdinančioji medžiaga, kuri gali pažeisti akis ar odą. Nurytas jis gali apnuodyti.
4. **Nenaudokite akumulatoriaus lyjant arba drėgnose vietose.**
5. **Nekraukite akumulatoriaus lauke.**
6. **Neimkite įkroviklio, įskaitant įkroviklio kištuką ir gnybtus, drėgnomis rankomis.**
7. **Nekeiskite akumulatoriaus šlapiomis rankomis.**

8. **Nepalikite akumulatoriaus lietuje, neįkraukite, nenaudokite ir nekeiskite akumulatoriaus šlapioje arba drėgnoje vietoje.**
9. **Negalima šlapinti akumulatoriaus kontakto skysčiu, pvz., vandeniu, arba panardinti akumulatoriaus.** Jei kontaktas sušlampa arba į akumulatoriaus vidų patenka skysčio, gali kilti trumpasis akumulatoriaus jungimas ir perkaitimo, gaisro arba sprogmimo pavojus.
10. **Išėmę akumulatorių iš įrenginio arba įkroviklio, būtinai uždėkite akumulatoriaus dangtelį ant akumulatoriaus ir laikykite jį sausoje vietoje.**
11. **Jeigu akumulatoriaus kasetė sušlampa, pašalinkite vandenį iš vidaus ir tuomet išvalykite sausa šluoste.** Prieš naudodami, visiškai išdžiovinkite akumulatoriaus kasetę sausoje vietoje.

SAUGOKITE ŠIAS INSTRUKCIJAS.

⚠️ ĮSPĖJIMAS: NELEISKITE, kad patogumas ir gaminio pažinimas (gyjamas pakartotinai naudojant) susilpnintų griežtą saugos taisyklių, taikytinų šiam gaminiui, laikymąsi. Dėl NETINKAMO NAUDOJIMO arba saugos taisyklių, kurios pateiktos šioje instrukcijoje, nesilaikymo galima rimtai susižeisti.

Svarbios saugos instrukcijos, taikomos akumulatoriaus kasetei

1. **Prieš naudodami akumulatoriaus kasetę, perskaitykite visas instrukcijas ir perspėjimus ant (1) akumulatorių įkroviklio, (2) akumulatorių ir (3) akumulatorių naudojančio gaminio.**
2. **Neardykite ir negadinkite akumulatoriaus kasetės.** Dėl to ji gali užsidegti, per daug įkaisti arba sprogti.
3. **Jeigu įrankio darbo laikas žymiai sutrumpėjo, nedelsdami nutraukite darbą su įrankiu.** Tai gali kelti perkaitimo, nudegimų ar net sprogmimo pavojų.
4. **Jeigu elektrolitas pateko į akis, plaukite jas tyru vandeniu ir nedelsdami kreipkitės į gydytoją.** Gali kilti regėjimo praradimo pavojus.
5. **Neužtrumpinkite akumulatoriaus kasetės:**
 - (1) **Nelieskite kontaktų degiomis medžiagomis.**
 - (2) **Venkite laikyti akumulatoriaus kasetę kartu su kitais metaliniais daiktais, pavyzdžiui, vinimis, monetomis ir pan.**
 - (3) **Saugokite akumulatoriaus kasetę nuo vandens ir lietaus.**Trumpasis jungimas akumulatoriuje gali sukelti stiprią srovę, perkaitimą, galimus nudegimus ar net akumulatoriaus gedimą.
6. **Nelaikykite ir nenaudokite įrankio ir akumulatoriaus kasetės vietose, kur temperatūra gali pasiekti ar viršyti 50 °C (122 °F).**

7. Nedeginkite akumulatoriaus kasetės, net jei yra stipriai pažeista ar visiškai susidėvėjusi. Ugnyje akumulatoriaus kasetė gali sprogti.
8. Akumulatoriaus kasetės nekalkite, nepjausykite ir nemėtykite ir taip pat į ją netrankykite kietu daiktu. Taip elgiantis, ji gali užsidegti, per daug įkaisti arba sprogti.
9. Nenaudokite pažeisto akumulatoriaus.
10. Įdėtoms ličio jonų akumuliatoriams taikomi Pavojingų prekių teisės akto reikalavimai. Komercinis transportas, pvz., trečiųjų šalių, prekių vežimo atstovų, turi laikytis specialaus reikalavimo ant pakuotės ir ženklavimo. Norėdami paruošti siųstiną prekę, pasitarkite su pavojingų medžiagų specialistu. Be to, laikykitės galimai išsamesnių nacionalinių reglamentų. Užklijuokite juosta arba padenkite atvirus kontaktus ir supakuokite akumuliatorių taip, kad ji pakuotėje nejudėtų.
11. Kai išmetate akumulatoriaus kasetę, išimkite ją iš įrankio ir išmeskite saugioje vietoje. Vadovaukitės vietos reglamentais dėl akumuliatorių išmetimo.
12. Baterijas naudokite tik su „Makita“ nurodytais gaminiais. Baterijas įdėjus į netinkamus gaminius gali kilti gaisras, gaminyje pernelyg įkaisti, kilti sprogimas arba pratekėti elektrolitas.
13. Jei įrankis bus ilgą laiką nenaudojamas, akumuliatorių būtina išimti iš įrankio.
14. Darbo metu ir po akumulatoriaus kasetė gali būti įkaitusi ir dėl to nudeginti. Įmdami akumulatoriaus kasetes, būkite atsargūs.
15. Tuojau pat po naudojimo nelieskite įrankio gnybtų, nes jie gali būti įkaitę tiek, kad nudegins.
16. Neleiskite, kad į akumulatoriaus kasetės gnybtus, angas ir griovelius patektų drožlių, dulkių ar žemių. Jos gali sukelti kaitimą, užsidegti, sprogti ir sukelti įrankio ar akumulatoriaus kasetės gedimą, dėl ko galima nusidėginti ar susižaloti.
17. Jeigu įrankis nėra pritaikytas naudoti šalia aukštos įtampos elektros linijų, akumulatoriaus kasetės nenaudokite šalia aukštos įtampos elektros linijų. Dėl to gali sutrikti įrankio ar akumulatoriaus kasetės veikimas arba jie gali sugesti.
18. Laikykite akumuliatorių vaikams nepasiekiamoje vietoje.

SAUGOKITE ŠIAS INSTRUKCIJAS.

⚠️ PERSPĖJIMAS: Naudokite tik originalų „Makita“ akumuliatorių. Neoriginalaus „Makita“ arba pakeisto akumulatoriaus naudojimas gali nulemti gaisrą, asmens sužalojimą ir pažeidimą. Tai taip pat panaikina „Makita“ suteikiamą „Makita“ įrankio ir įkroviklio garantiją.

Patarimai, ką daryti, kad akumuliatorius veiktų kuo ilgiau

1. Pakraukite akumulatoriaus kasetę prieš jai visiškai išsikraunant. Visuomet nustokite naudoti įrankį ir pakraukite akumulatoriaus kasetę, kai pastebite, kad įrankio galia sumažėjo.
2. Niekada nekraukite iki galo įkrautos akumulatoriaus kasetės. Perkraunant trumpėja akumulatoriaus eksploatacijos laikas.
3. Akumulatoriaus kasetę kraukite esant kambario temperatūrai 10 - 40 °C. Prieš pradėdami krauti, leiskite įkaitusiai akumulatoriaus kasetei atvėsti.
4. Kai akumulatoriaus kasetės nenaudojate, ją išimkite iš įrankio ar įkroviklio.
5. Įkraukite akumulatoriaus kasetę, jei jos nenaudojate ilgą laiką (ilgiau nei šešis mėnesius).

DALIŲ APRAŠYMAS

► Pav.2

1	Papildoma rankena	2	Apsauginis gaubtas	3	Pjūklo grandinė
4	Pjovimo juosta	5	Alyvos bakelio dangtelis	6	Pjovimo juostos gaubtas
7	Žvaigždutės gaubtas	8	Atlaisvinimo svirtelė	9	Galinė rankena
10	Gaidukas	11	Svirtelė	12	Akumulatoriaus kasetė

VEIKIMO APRAŠYMAS

⚠️ PERSPĖJIMAS: Prieš pradėdami reguliuoti arba tikrinti įrankio veikimą, visuomet būtinai išjunkite įrankį ir išimkite akumuliatoriaus kasetę.

Akumuliatoriaus kasetės uždėjimas ir nuėmimas

⚠️ PERSPĖJIMAS: Prieš įdėdami arba išimdami akumuliatoriaus kasetę, visada išjunkite įrankį.

⚠️ PERSPĖJIMAS: Įdėdami arba išimdami akumuliatoriaus kasetę, tvirtai laikykite įrankį ir akumuliatoriaus kasetę. Jeigu įrankį ir akumuliatoriaus kasetę laikysite netvirtai, jie gali išslysti iš jūsų rankų, todėl įrankis ir akumuliatoriaus kasetė gali būti sugadinti, o naudotojas sužalotas.

- **Pav.3:** 1. Raudonas sandariklis (indikatorius) 2. Mygtukas 3. Akumuliatoriaus kasetė

Jei norite išimti akumuliatoriaus kasetę, ištraukite ją iš įrankio, stumdami mygtuką, esantį kasetės priekyje.

Jei norite įdėti akumuliatoriaus kasetę, ant akumuliatoriaus kasetės esantį liežuvėlį sutapdinkite su korpuso esančiu griovėliu ir įstumkite jį į kasetės vietą. Įstatykite iki pat galo, kad spragtelėdama užsikisėtų. Jeigu matote raudoną sandariklį (indikatorių), kaip parodyta paveikslėlyje, ji nėra visiškai užfiksuota.

⚠️ PERSPĖJIMAS: Akumuliatoriaus kasetę visada įkiškite iki galo, kol nebematysite raudono sandariklio (indikatoriaus) Priešingu atveju ji gali atsitiktinai iškristi iš įrankio ir sužeisti jus arba aplinkinius.

⚠️ PERSPĖJIMAS: Nekiškite akumuliatoriaus kasetės jėga. Jeigu kasetė sunkiai lenda, ją kiškite netinkamai.

Likusios akumuliatoriaus galios rodymas

Tik akumuliatoriaus kasetėms su indikatoriumi

- **Pav.4:** 1. Indikatorių lemputės 2. Tikrinimo mygtukas

Paspauskite akumuliatoriaus kasetės tikrinimo mygtuką, kad būtų rodoma likusi akumuliatoriaus energija. Maždaug trims sekundėms užsidegs indikatorių lemputės.

Indikatorių lemputės			Likusi galia
Šviečia	Nešviečia	Blyksi	
■	□	▬	75 - 100 %
■ ■ ■ ■	□ □ □ □		
■ ■ ■ ■	□ □ □ □		50 - 75 %
■ ■ ■ ■	□ □ □ □		25 - 50 %
■ □ □ □	□ □ □ □		0 - 25 %
▬ □ □ □	□ □ □ □		Įkraukite akumuliatorių.

Indikatorių lemputės			Likusi galia
Šviečia	Nešviečia	Blyksi	
■	□	▬	Galimai įvyko akumuliatoriaus veikimo triktis.
■ ■ □ □	□ □ □ □		
□ □ □ □	■ ■ ■ ■		

PASTABA: Rodmuo gali šiek tiek skirtis nuo faktinės energijos lygio – tai priklauso nuo naudojimo sąlygų ir aplinkos temperatūros.

PASTABA: Veikiant akumuliatoriaus apsaugos sistemai ims mirksėti pirmoji (toliausiai kairėje) indikatoriaus lemputė.

Įrankio / akumuliatoriaus apsaugos sistema

Įrankyje įrengta įrankio / akumuliatoriaus apsaugos sistema. Ši sistema automatiškai atjungia variklio maitinimą, kad įrankis ir akumuliatorius ilgiau veiktų. Įrankis automatiškai išsijungs darbo metu esant vieni iš toliau nurodytų įrankio arba akumuliatoriaus darbo sąlygų:

Apsauga nuo perkrovos

Kai įrankis ar akumuliatorius naudojamas taip, kad neįprastai padidėja elektros srovė, įrankis automatiškai išsijungia. Tokiu atveju išjunkite įrankį ir nutraukite darbą, dėl kurio kilo įrankio perkrova. Tada vėl įjunkite įrankį.

Apsauga nuo perkaitimo

Kai įrankis arba akumuliatorius perkaista, įrankis automatiškai išsijungia. Tokiu atveju, prieš vėl jungdami įrankį, leiskite įrankiui ir akumuliatoriui atvėsti.

Apsauga nuo visiško išsekimo

Kai akumuliatoriaus įkrovos lygis nepakankamas, įrankis automatiškai išsijungia. Tokiu atveju ištraukite akumuliatorių iš įrankio ir įkraukite jį.

Jungiklio veikimas

⚠️ ĮSPĖJIMAS: Jūsų pačių saugumui šiame įrankyje įrengta atlaisvinimo svirtelė, kuri neleidžia netyčia įjungti įrankio. NIEKADA nenaudokite veikiančio įrankio, jeigu nuspaudėte tik gaiduką, nenuspaudę atlaisvinimo svirtelės. Prieš pradėdami vėl naudoti įrankį, atiduokite jį tinkamai suremontuoti į įgaliotąjį techninės priežiūros centrą.

⚠️ ĮSPĖJIMAS: NIEKADA neužklijuokite lipnia juostele ir nepanaikinkite atlaisvinimo svirtelės paskirties bei funkcijos.

⚠️ PERSPĖJIMAS: Prieš montuodami akumuliatoriaus kasetę įrankyje, visuomet patikrinkite, ar gaidukas tinkamai veikia ir atleistas grįžta į išjungimo padėtį „OFF“.

PASTABA: Negalima stipriai spausti gaiduko, nenuspaudus atlaisvinimo svirtelės. Taip galima sugadinti jungiklį.

Siekiant neleisti netyčia paspausti gaiduko, įrengta atlaisvinimo svirtelė. Norėdami paleisti įrankį, paspauskite atlaisvinimo svirtelę ir tada spauskite gaiduką. Norėdami sustabdyti, gaiduką atleiskite.

► **Pav.5:** 1. Gaidukas 2. Atlaisvinimo svirtelė

Nusidėvėjusio stabdžio patikrinimas

▲ PERSPĖJIMAS: Jei šio bandymo metu pjūklo grandinė nesustoja per kelias sekundes, nebandokite įrankio ir kreipkitės į mūsų įgaliotąjį techninės priežiūros centrą.

Paleiskite įrankį, tada visiškai atleiskite gaiduką. Pjūklo grandinė turi visiškai sustoti per kelias sekundes.

SURINKIMAS

▲ PERSPĖJIMAS: Prieš darydami ką nors įrankiu visada patikrinkite, ar įrenginys išjungtas, o akumuliatorių kasetė – nuimta.

▲ PERSPĖJIMAS: Nelieskite grandininio pjūklo plikomis rankomis. Imdami grandininį pjūklą, visuomet mūvėkite pirštines.

Pjūklo grandinės nuėmimas arba įrengimas

▲ PERSPĖJIMAS: Po naudojimo pjūklo grandinė ir pjovimo juosta vis dar būna įkaitusios. Prieš atlikdami bet kokius įrankio remonto ar tikrinimo darbus, palaukite, kol jie atvės.

▲ PERSPĖJIMAS: Pjūklo grandinės montavimo arba nuėmimo procedūrą reikia atlikti švarioje vietoje, kur nėra pjuvenų ir panašiai.

Pjūklo grandinės nuėmimas

Norėdami nuimti pjūklo grandinę, atlikite šiuos veiksmus:

1. Patraukite svirtį aukštyn.

► **Pav.6:** 1. Svirtelė

2. Sukite svirtelę prieš laikrodžio rodyklę, kol nusiims žvaigždutės gaubtas.

► **Pav.7:** 1. Žvaigždutės gaubtas 2. Svirtelė

3. Nuimkite žvaigždutės gaubtą, tada nuimkite pjūklo grandinę ir kreipimo juostą nuo įrankio korpuso.

Pjūklo grandinės montavimas

Norėdami sumontuoti pjūklo grandinę, atlikite šiuos veiksmus:

1. Patraukite svirtį aukštyn.

► **Pav.8:** 1. Svirtelė

2. Sukite svirtelę prieš laikrodžio rodyklę, kol nusiims žvaigždutės gaubtas.

► **Pav.9:** 1. Svirtelė 2. Žvaigždutės gaubtas

3. Nuimkite žvaigždutės gaubtą.

4. Sulygiuokite kreipimo juostos kiaurymę su kaiščiu ant įrankio korpuso, tada sumontuokite kreipimo juostą, kaip parodyta paveikslėlyje.

► **Pav.10:** 1. Kreipimo juosta 2. Kiaurymė 3. Kaištis

5. Nuslinkite kreipimo juostą link žvaigždutės, kad užrakintumėte kaištį.

► **Pav.11:** 1. Kreipimo juosta 2. Kaištis

6. Nuimkite kreipimo juostą nuo įrankio korpuso.

7. Patikrinkite pjūklo grandinės judėjimo kryptį. Sutapdinkite pjūklo grandinės judėjimo kryptį su ant įrankio korpuso esančia žyma.

► **Pav.12:** 1. Žyma ant įrankio korpuso

8. Įtaisykite vieną pjūklo grandinės galą ant kreipimo juostos viršaus.

9. Kitą pjūklo grandinės galą įtaisykite aplink žvaigždutę, tada prie įrankio korpuso pritvirtinkite kreipimo juostą, sulygiuodami ant kreipimo juostos esančią kiaurymę su korpuso kaiščiu.

► **Pav.13:** 1. Žvaigždutė

Prispauskite kreipimo juostą prie įrankio korpuso, kad atleisumėte kaištį. Pjūklo grandinės įtempis nustatomas automatiškai.

► **Pav.14:** 1. Pjūklo grandinė 2. Kaištis 3. Žvaigždutė

10. Nustatykite žvaigždutės gaubtą, kad įrankio korpuso varžtas ir kaištis atitiktų jų porinius elementus ant žvaigždutės gaubto.

► **Pav.15:** 1. Žvaigždutės gaubtas 2. Varžtas 3. Kaištis

11. Sukite svirtį prieš laikrodžio rodyklę, kol žvaigždutės gaubtas bus fiksuojamas, tada ją gražinkite į pradinę padėtį.

► **Pav.16:** 1. Svirtelė 2. Žvaigždutės gaubtas

Užtikrinkite, kad pjūklo grandinė nebūtų laisva ir galėtų sklاندžiai judėti pirmyn ir atgal. Prireikus sureguliuokite pjūklo grandinės įtempį, vadovaudamiesi pjūklo grandinės įtempio reguliavimo skirsniu.

Pjūklo grandinės įtempimo reguliavimas

▲ PERSPĖJIMAS: Per daug atlaisvinta grandinė gali nukristi nuo pjovimo juostos ir todėl kelia pavojų susižaloti arba sukelti nelaimingą atsitikimą.

Pjūklo grandinė atsilaivina tik po daugelio darbo valandų. Prieš naudojimą retkarčiais patikrinkite pjūklo grandinės įtempimą.

Jei pjūklo grandinė laisva, sureguliuokite jos įtempį.

1. Patraukite svirtį aukštyn.

► **Pav.17:** 1. Svirtelė

2. Šiek tiek pasukite svirtį prieš laikrodžio rodyklę, kad atlaisvintumėte žvaigždutės gaubtą. Grandinės įtempis nustatomas automatiškai.

► **Pav.18:** 1. Žvaigždutės gaubtas 2. Svirtelė

3. Sukite svirtį prieš laikrodžio rodyklę, kol žvaigždutės gaubtas bus fiksuojamas, tada ją gražinkite į pradinę padėtį.

► **Pav.19:** 1. Svirtelė 2. Žvaigždutės gaubtas

NAUDOJIMAS

Tepimas

▲PERSPĖJIMAS: Nenaudokite įrankio, kai bakelis tuščias. Laiku įpilkite alyvos, kol bakelis visiškai neištuštėjo.

▲PERSPĖJIMAS: Stenkitės, kad alyvos nepakliūtų ant odos ir į akis. Patekus į akis, šios sudirgsta. Patekus į akis, nedelsdami išplaukite jas švariu vandeniu ir tuoj pat susisiekite su gydytoju.

▲PERSPĖJIMAS: Niekada nenaudokite panaudotos alyvos. Panaudojoje alyvoje yra kancerogeninių medžiagų. Dėl panaudotoje alyvoje esančių teršalų greičiau susidėvi alyvos siurblys, juosta ir grandinė. Panaudota alyva kenkia aplinkai.

PASTABA: Kai įrankis naudojamas pirmą kartą, gali tekti palaukti maždaug dvi minutes, kol pjūklų mechanizmas bus pradėtas tepti pjūklų grandinės alyva. Leiskite pjūklui veikti be apkrovos, kol bus pradėtas tepimas.

PASTABA: Pirmą kartą pripylus grandinės alyvos arba pakartotinai pripildant ištuštintą alyvos bakelį, pripilkite alyvos iki pildymo angos apatinio krašto. Kitaip bus blogiau tiekama alyva.

PASTABA: Naudokite tik specialiai „Makita“ įrankiams skirtą pjūklų grandinės alyvą arba analogišką rinkoje parduodamą alyvą.

PASTABA: Niekada nenaudokite alyvos, kurioje yra dulkių ir dalelių, arba lakios alyvos.

PASTABA: Genėdami medžius, naudokite botaninį aliejų. Mineralinė alyva gali pažeisti medžius.

PASTABA: Prieš išpjaudami, įsitinkinkite, kad alyvos bakelio dangtelis yra prisuktas.

Tuo metu, kai įrankis įjungtas, pjūklų grandinė tepama automatiškai. Per alyvos kiekio nustatymo langelį reguliariai tikrinkite, kiek bakelyje liko alyvos.

- **Pav.20:** 1. Alyvos kiekio nustatymo langelis
2. Alyvos bakelio dangtelis

Norėdami pripilti alyvos, atlikite toliau nurodytus veiksmus.

1. Nuvalykite sritį aplink alyvos bakelio dangtelį, kad į alyvos bakelį nepatektų jokio purvo.
 2. Paguldykite įrankį ant šono.
 3. Paspauskite ant alyvos bakelio dangtelio esantį mygtuką taip, kad kitoje pusėje esantis mygtukas iššoktų, o tada nuimkite alyvos bakelio dangtelį jį pasukdami.
- **Pav.21:** 1. Alyvos bakelio dangtelis 2. Priveržti 3. Atlaisvinti

4. Pripildykite alyvos bakelį alyvos. Tinkamas alyvos kiekis yra 55 ml.
5. Tvirtai užsukite alyvos bakelio dangtelį.
6. Kruopščiai nuvalykite išsiliejusią, grandinei tepti skirtą alyvą.

PASTABA: Jei sunku atsukti alyvos bakelio dangtelį, įkiškite į alyvos bakelio dangtelio lizdą plokščiojo atsuktuvo antgalį ir sukite prieš laikrodžio rodyklę.

- **Pav.22:** 1. Lizdas 2. Plokščiasis atsuktuvvas

Papildę laikykite įrankį atokiai nuo pjaunamos medžiagos. Junkite jį ir palaukite, kol bus tinkamas pjūklų grandinės tepimas.

- **Pav.23**

Darbas įrankiu

▲PERSPĖJIMAS: Laikykite visas kūno dalis atokiai nuo veikiančio įrankio pjūklų grandinės.

▲PERSPĖJIMAS: Kai įrankis veikia, tvirtai laikykite jį abiem rankomis.

▲PERSPĖJIMAS: Nepersitempkite. Visuomet tvirtai stovėkite ant žemės, išlaikykite pusiausvyrą.

PASTABA: Niekada nenusvieskite ar nenumeskite įrankio.

PASTABA: Neuždenkite įrankio ventiliacijos angų.

Prieš paleisdami įrankį, prispauskite kreipimo juostos pagrindą ir įrankio korpuso atraminę dalį prie pjautinos šakos, kaip parodyta paveikslėlyje. Laikydami įrankio kreipimo juostą prispaustą prie šakos, paleiskite įrankį ir nupjaukite šaką, spausdami per ją įrankį.

- **Pav.24**

▲PERSPĖJIMAS: Prieš pjaudami šaką, prispauskite prie jos kreipimo juostos pagrindą ir įrankio korpuso atraminę dalį. Priešingu atveju įrankis gali būti patrauktas link kreipimo juostos galo, ši gali imti kibėti ir galite susižaloti.

Įrankio nešimas

Prieš nešdami įrankį, būtinai nuimkite nuo jo akumuliatoriaus kasetę. Tada prijunkite kreipimo juostos gaubtą. Taip pat uždenkite akumuliatoriaus kasetę dangteliu.

- **Pav.25:** 1. Pjovimo juostos gaubtas
2. Akumuliatoriaus dangklas

TECHNINĖ PRIEŽIŪRA

▲PERSPĖJIMAS: Visuomet įsitinkinkite, ar įrankis yra išjungtas ir akumuliatoriaus kasetė yra nuimta prieš atlikdami apžiūrą ir priežiūrą.

▲PERSPĖJIMAS: Atlikdami bet kokį patikrinimą arba techninės priežiūros darbus, visada mūvėkite pirštines.

PASTABA: Niekada nenaudokite gazolino, benzino, tirpiklio, spirito arba panašių medžiagų. Gali atsirasti išblukimų, deformacijų arba įtrūkimų.

Kad gaminys būtų SAUGUS ir PATIKIMAS, jį taisyti, apžiūrėti ar vykdyti bet kokią kitą priežiūrą ar derinimą turi įgaliotasis kompanijos „Makita“ techninės priežiūros centras; reikia naudoti tik kompanijos „Makita“ pagamintas atsargines dalis.

Pjūklo grandinės galandimas

Pjūklo grandinę galąskite, kai:

- pjaunant drėgną medieną, krenta miltų pavidalo pjūvenos;
- grandinė sunkiai skverbiasi į medieną, net ir stipriai spaudžiant;
- pjovimo kraštas yra aiškiai apgadintas;
- pjaunant medieną, pjūklas slenka kairėn arba dešinėn. (taip nutinka dėl nelygaus pjūklo grandinės išgalandimo arba tik vienos pusės apgadiniimo)

Dažnai galąskite pjūklo grandinę, tačiau kiekvieną kartą nugaląskite tik šiek tiek. Dažnai galandant, paprastai pakanka dviejų ar trijų dildės brūkštelėjimų. Keletą kartų pagalandus pjūklo grandinę, ją reikėtų atiduoti į mūsų įgaliotąjį techninės priežiūros centrą, kad ją dar kartą pagalaštų.

Galandimo kriterijai:

⚠️ ĮSPĖJIMAS: Dėl pernelyg didelio atstumo tarp pjovimo krašto ir gylio ribotuvo padidėja atitranskos pavojus.

- ▶ **Pav.26:** 1. Pjovimo dantukų ilgis 2. Atstumas tarp pjovimo krašto ir gylio ribotuvo 3. Mažiausias pjovimo dantukų ilgis (3 mm)

- Visų pjovimo dantukų ilgis privalo būti vienodas. Nevienodo ilgio pjovimo dantukai neleidžia pjūklo grandinei tolygiai suktis, todėl grandinė gali nutrūkti.
- Kai pjovimo dantukų ilgis tapo 3 mm ar mažiau, negaląskite grandinės. Grandinę reikia pakeisti nauja.
- Narelio storis nustatomas pagal atstumą tarp gylio ribotuvo (apvali nosele) ir pjovimo dantuko krašto.
- Geriausių pjovimo rezultatų pasiekama, kai atstumas tarp pjovimo dantuko krašto ir gylio ribotuvo yra toks, kaip nurodyta toliau.
 - Grandinės ašmenys 80TXL: 0,65 mm

▶ Pav.27

- Visi pjovimo dantukai turi būti vienodai pagalašti 30° kampu. Pjovimo dantukus pagalandus skirtingu kampu, kampo grandinė suksis netolygiai ir nelygiai, ji greičiau susidėvės arba net nutrūks.
- Naudokite tinkamą apvalią dildę, kad dantys būtų pagalašti tinkamu kampu.
 - Grandinės ašmenys 80TXL: 55°

Dildė ir dildės valdymas

- Grandininio pjūklo grandinės galandimui naudokite specialią apvalią dildę (papildomas priedas). Įprastos apvalios dildės netinka.
- Toliau nurodyti kiekvienai pjūklo grandinei tinkamą apvalią dildžių skersmenys:
 - Grandinės ašmenys 80TXL: 4,0 mm
- Dildė turi liesti pjovimo dantuką, tik braukiant ją į priekį. Atbulinio judesio metu atkelkite dildę nuo pjovimo dantuko.
- Pirmiausia pagalaškite trumpiausią pjovimo dantį. Šio trumpiausio pjovimo dantuko ilgis tampa šablonu, galandant visus kitus pjūklo grandinės pjovimo dantukus.

- Nukreipkite dildę taip, kai parodyta piešinyje.

- ▶ **Pav.28:** 1. Dildė 2. Pjūklo grandinė

- Dildę lengviau nukreipti, naudojant dildės laikiklį (papildomas priedas). Ant dildės laikiklio pažymėtas teisingas 30° galandimo kampas (sulygiuokite žymes lygiagrečiai su pjūklo grandine) ir prasi-skverbimo gylio ribos (4/5 dildės skersmens).

- ▶ **Pav.29:** 1. Dildės laikiklis

- Pagalandę grandinę, patikrinkite gylio ribotuvo aukštį, naudodami grandinės matavimo įrankį (papildomas priedas).

- ▶ **Pav.30**

- Specialia plokščia dilde (papildomas priedas) nuoldykite bet kokias išsikišusias dalis, kad ir kokios mažos jos būtų.
- Vėl užpalvinkite gylio ribotuvo priekines dalis.

Pjovimo juostos valymas

Atplaišos ir pjūvenos kaupsis pjovimo juostos griovelyje. Jos gali užkimšti juostos griovelį ir trukdyti tekėti alyvai. Kaskart galąsdami arba keisdami pjūklo grandinę, išvalykite šias atplaišas ir pjūvenas.

- ▶ **Pav.31**

Žvaigždutės gaubto valymas

Atplaišos ir pjūvenos kaupsis žvaigždutės gaubte. Nuimkite žvaigždutės gaubtą ir grandinę nuo įrankio, tada išvalykite atplaišas ir pjūvenas.

- ▶ **Pav.32**

Alyvos tiekimo angos valymas

Darbo metu alyvos tiekimo angoje gali susikaupti smulkių dalelių arba dulkių. Šios dulkės arba dalelės gali sutrikdyti paduodamos alyvos tekėjimą, todėl gali sutrikti visos pjūklo grandinės tepimas. Kai pjovimo juostos galas prastai tepamas grandinės tepimo alyva, išvalykite alyvos tiekimo angą tokiu būdu:

1. Nuimkite nuo įrankio žvaigždutės dangtelį ir pjūklo grandinę.
2. Pašalinkite smulkias daleles arba dulkes, naudodami ploną atsuktuvą arba panašų įrankį.
 - ▶ **Pav.33:** 1. Atsuktuvas su grioveliais 2. Alyvos išleidimo anga
3. Įkiškite akumulatoriaus kasetę į įrankį. Patraukite svirtinį gaiduką, kad tekanti grandinės tepimo alyva pašalintų alyvos išleidimo angoje susikaupusias dulkes arba kietas daleles.
4. Ištraukite iš įrankio akumulatoriaus kasetę. Sumontuokite ant įrankio žvaigždutės gaubtą, pjūklo grandinę ir kreipimo juostą.

Pakeiskite žvaigždutę nauja

▲ PERSPĖJIMAS: Susidėvėjusi žvaigždutė sugadins naują pjūklo grandinę. Tokiu atveju žvaigždutę reikia pakeisti nauja.

Prieš pradėdami montuoti naują pjūklo grandinę, patikrinkite žvaigždutės būklę.

► **Pav.34:** 1. Žvaigždutė 2. Nusidėvėncios sritys

Keisdami žvaigždutę, visada įdėkite naują fiksavimo žiedą.

► **Pav.35:** 1. Fiksavimo žiedas 2. Žvaigždutė

PASTABA: Įsitinkinkite, kad žvaigždutė įdėta, kaip parodyta paveikslėlyje.

Įrankio saugojimas

1. Nuvalykite įrankį, prieš sandėliuodami. Nuėmę žvaigždutės gaubtą, nuvalykite nuo įrankio visas atplaišas ir pjuvenas.
2. Nuvalę įrankį, leiskite jam padirbti be apkrovos, kad būtų sutepta pjūklo grandinė ir pjovimo juosta.
3. Įmaukite pjovimo juostą į pjovimo juostos gaubtą.
4. Ištuštinkite alyvos talpyklą.

Nurodymai dėl periodinės techninės priežiūros

Siekiant užtikrinti ilgą eksploataciją, tinkamą saugos funkcijų veikimą ir apsaugoti nuo sugadinimo, reikia reguliariai vykdyti toliau nurodytus techninės priežiūros darbus. Garantinės pretenzijos bus pripažįstamos tik tuomet, jei šie darbai bus vykdomi reguliariai ir tinkamai. Netinkamai vykdant nurodytus techninės priežiūros darbus, galimi nelaimingi atsitikimai! Įrankio naudotojas neturi vykdyti techninės priežiūros darbų, kurie nėra aprašyti instrukcijų vadove. Visus tokius darbus turi atlikti mūsų įgaliotasis priežiūros centras.

Tikrintinas elementas / veikimo laikas	Prieš darbą	Kasdien	Kas savaitę	Kas 3 mėnesius	Kasmet	Prieš dedant laikyti
Visas įrankis	Patikrinimas.	✓	-	-	-	-
	Valymas.	-	✓	-	-	-
	Kreipkitės į įgaliotąjį techninės priežiūros centrą.	-	-	-	✓	✓
Pjūklo grandinė	Patikrinimas.	✓	-	-	-	-
	Jei reikia, galandimas.	-	-	-	-	✓
Pjovimo juosta	Patikrinimas.	✓	✓	-	-	-
	Nuimkite nuo įrankio.	-	-	-	-	✓
Grandinės tepimas	Patikrinkite alyvos tiekimo greitį.	✓	-	-	-	-
Gaidukas	Patikrinimas.	✓	-	-	-	-
Atlaisvinimo svirtelė	Patikrinimas.	✓	-	-	-	-
Alyvos bakelio dangtelis	Patikrinkite užveržimą.	✓	-	-	-	-
Sraigčiai ir veržlės	Patikrinimas.	-	-	✓	-	-

GEDIMŲ ŠALINIMAS

Prieš kreipdamiesi dėl remonto darbų, pirmiausia patikrinkite gedimus patys. Kilus problemų, apie kurias nepaaiškinta vartotojo vadove, nemėginkite ardyti įrankio. Kreipkitės į įgaliotuosius „Makita“ techninės priežiūros centrus, kuriuose remontui visuomet naudojamos originalios „Makita“ keičiamosios dalys.

Trikties būseną	Priežastis	Veiksmas
Įrankis neįsijungia.	Neįdėta akumuliatoriaus kasetė.	Įdėkite įkrautą akumuliatoriaus kasetę.
	Akumuliatoriaus problema (maža įtampa).	Įkraukite akumuliatorių. Jei įkrauti nepavyksta, akumuliatorių pakeiskite.
Po trumpo naudojimo laikotarpio variklis nustoja veikti.	Mažas akumuliatoriaus įkrovos lygis.	Įkraukite akumuliatorių. Jei įkrauti nepavyksta, akumuliatorių pakeiskite.
Ant grandinės nėra alyvos.	Tuščias alyvos bakelis.	Pripildykite alyvos bakelį.
	Nešvarus alyvos nukreipimo griovelis.	Išvalykite griovelį.
Įrankis nepasiekia didžiausių apsučių.	Akumuliatoriaus kasetė netinkamai įdėta.	Akumuliatorių įdėkite, kaip aprašyta šiame vadove.
	Mažėja akumuliatoriaus galia.	Pakartotinai įkraukite akumuliatoriaus kasetę. Jei įkrauti nepavyksta, akumuliatoriaus kasetę pakeiskite.
	Netinkamai veikia pavaros sistema.	Dėl remonto darbų kreipkitės į regiono įgaliotąjį techninės priežiūros centrą.
Neįprasta vibracija. Nedelsdami sustabdykite įrankį!	Atsilaisvinusi pjovimo juosta arba pjūklo grandinė.	Pareguliuokite pjovimo juostos arba pjūklo grandinės įtempimą.
	Įrankio triktis.	Dėl remonto darbų kreipkitės į regiono įgaliotąjį techninės priežiūros centrą.
Negalima uždėti pjūklo grandinės.	Netinkamas pjūklo grandinės ir žvaigždutės derinys.	Naudokite tinkamą pjūklo grandinės ir žvaigždutės derinį, peržiūrėję skyrelyje technines sąlygas.

PASIRENKAMI PRIEDAI

⚠ PERSPĖJIMAS: Šiuos papildomus priedus arba įtaisus rekomenduojama naudoti su šioje instrukcijoje nurodytu „Makita“ bendrovės įrankiu. Naudojant bet kokius kitus papildomus priedus arba įtaisus, gali kilti pavojus sužeisti žmones. Naudokite tik nurodytam tikslui skirtus papildomus priedus arba įtaisus.

Jeigu norite daugiau sužinoti apie tuos priedus, kreipkitės į artimiausią „Makita“ techninės priežiūros centrą.

- Pjūklo grandinė
- Pjovimo juosta
- Pjovimo juostos gaubtas
- Dildė
- Krepšys įrankiui
- Originalus „Makita“ akumuliatorius ir įkroviklis

PASTABA: Kai kurie sąrašė esantys priedai gali būti pateikti įrankio pakuotėje kaip standartiniai priedai. Jie įvairiose šalyse gali skirtis.

TEHNILISED ANDMED

Mudel:		DUC101
Üldpikkus (ilma juhtlati ja akuta)		357 mm
Nimipinge		Alalisvool 18 V
Netokaal	*1	1,1 kg
	*2	1,6 – 2,0 kg
Standardse juhtlati pikkus		100 mm
Juhtlati soovitatav pikkus		100 mm
Sobiv saeketi tüüp (vt alljärgnevat tabelit)		80TXL
Ketiratas	Hammaste arv	7
	Samm	0,325"
Keti kiirus		0–8,0 m/s (0–480 m/min)
Ketiõli paagi mahutavus		55 cm ³

- Meie pideva uuringu- ja arendusprogrammi tõttu võidakse tehnilisi andmeid muuta ilma sellest ette teatamata.
- Tehnilised andmed võivad riigiti erineda.

*1: Kaal ilma saeketi, juhtlati, juhtlati katte, õli ja akukassetita.

*2: Kergeima ja raskeima kaalu kombinatsioon EPTA-protseduuri 01/2014 kohaselt. Kaal võib erineda olenevalt lisaseadistest, kaasa arvatud akukassetid.

Saeketi, juhtlati ja ketiratta kombinatsioon

Saeketi tüüp		80TXL
Veolülide arv		26
Juhtlatt	Juhtlati pikkus	100 mm
	Lõikepikkus	111 mm
	Samm	0,325"
	Veolüli paksus	1,1 mm
	Tüüp	Tugevdatud otsaga juhtlatt
Ketiratas	Hammaste arv	7
	Samm	0,325"

⚠HOIATUS: Kasutage juhtlati ja saeketi sobivat kombinatsiooni. Muidu võib tulemuseks olla kehavigastus.

Sobiv akukassett ja laadija

Akukassett	BL1815N / BL1820B / BL1830B / BL1840B / BL1850B / BL1860B
Laadija	DC18RC / DC18RD / DC18RE / DC18SD / DC18SE / DC18SF / DC18SH / DC18WC

- Mõned eespool loetletud akukassetid ja -laadijad ei pruugi olla teie riigis saadaval.

⚠HOIATUS: Kasutage ainult ülalpool loetletud akukassette ja laadijaid. Muude akukassettide ja laadijate kasutamine võib tekitada vigastusi ja/või tulekahju.

Soovitatud juhtmega ühendatav toiteallikas

Portatiivne akukomplekt	PDC01
-------------------------	-------

- Eespool loetletud juhtmega ühendatavad toiteallikad ei pruugi olla teie riigis saadaval.
- Enne juhtmega ühendatava toiteallika kasutamist lugege neil olevaid juhiseid ja ettevaatusabinõusid.

Sümbolid

Alljärgnevalt kirjeldatakse tingimärke, mida võidakse seadmetel kasutada. Enne seadme kasutamist tehke endale selgeks nende tähendus.



Lugege juhendit.



Kasutage kaitseprille ja kuulmiskaitsevahendeid.



Kasutage tööriista kasutamisel alati kahte kätt.



Hoiduge tagasilöögi eest ja vältige kokkupuudet juhtlati otsaga.



Ärge jätke seadet niiskuse kätte.



Suurim lubatud löikepikkus



Keti liikumise suund



Ni-MH
Li-ion

Ainult EL-i riikide puhul
Seadmes sisalduvate ohtlike osade tõttu võivad elektri- ja elektroonikaseadmete jäätmel, akud ja patareid avaldada negatiivset mõju keskkonnale ja inimeste tervisele. Elektri- ja elektroonikaseadmeid ega akusid ei tohi kõrvaldada koos olmejäätmetega! Euroopa elektri- ja elektroonikaseadmete jäätmel, akude ja patareide ning nende jäätmel direktiivi ja riiklikku õigusesse ülevõtmise kohaselt tuleb elektri- ja elektroonikaseadmete, akude ja patareide jäätmel koguda eraldi ning viia eraldiseisvasse olmejäätmete kogumispunkti, misagetse kooskõlas keskkonnakaitse eeskirjadega. Sellele osutab seadmele paigaldatud läbikriipsutatud ratastega prügikasti sümbol.



Garanteeritud helivõimsustase ELi välis-tingimustes kasutatavate seadmete müra direktiivi kohasel.



Helivõimsustase Austraalia NSW müra-kontrolli määruse kohaselt

Kavandatud kasutus

See tööriist on mõeldud puude ja põõsaste okste lõikamiseks saeketi abil.

Müra

Tüüpiline A-korrigeeritud müratase, määratud standardi EN62841-4-1 kohaselt:

Helirõhutase (L_{pA}): 76 dB (A)

Helivõimsuse tase (L_{WA}): 87 dB (A)

Määramatus (K): 3 dB (A)

MÄRKUS: Deklareeritud müra väärtust (väärtuseid) on mõõdetud kooskõlas standardse katsemeetodiga ning seda võib kasutada ühe seadme võrdlemiseks teisega.

MÄRKUS: Deklareeritud müra väärtust (väärtuseid) võib kasutada ka mürataseme esmaseks hindamiseks.

⚠️HOIATUS: Kasutage kõrvakaitsemeid.

⚠️HOIATUS: Müratase võib elektritööriista tegelikkuses kasutamise ajal erineda deklareeritud väärtus(t)est olenevalt tööriista kasutusviisidest ja eriti töödeldavast toorikust.

⚠️HOIATUS: Rakendage operaatori kaitseks kindlasti piisavaid ohutusabinõusid, mis põhinevad hinnangulisel müratasemel tegelikus tööolukorras (võttes arvesse tööperioodi kõiki osasid, näiteks korrad, kui seade lülitatakse välja ja seade töötab tühikäigul, lisaks tööajale).

Vibratsioon

Vibratsiooni koguväärtus (kolmeteljeliste vektorite summa) määratud standardi EN62841-4-1 kohaselt:

Töörežiim: puudu saagimine

Vibratsiooniindeksi ($a_{h,w}$): 4,6 m/s²

Määramatus (K): 1,5 m/s²

MÄRKUS: Deklareeritud vibratsiooni koguväärtust (-väärtuseid) on mõõdetud kooskõlas standardse katsemeetodiga ning seda võib kasutada ühe seadme võrdlemiseks teisega.

MÄRKUS: Deklareeritud vibratsiooni koguväärtust (-väärtuseid) võib kasutada ka mürataseme esmaseks hindamiseks.

⚠️HOIATUS: Vibratsioonitase võib elektritööriista tegelikkuses kasutamise ajal erineda deklareeritud väärtus(t)est olenevalt tööriista kasutusviisidest ja eriti töödeldavast toorikust.

⚠️HOIATUS: Rakendage operaatori kaitseks kindlasti piisavaid ohutusabinõusid, mis põhinevad hinnangulisel müratasemel tegelikus tööolukorras (võttes arvesse tööperioodi kõiki osasid, näiteks korrad, kui seade lülitatakse välja ja seade töötab tühikäigul, lisaks tööajale).

Vastavusdeklaratsioon

Ainult Euroopa riikide puhul

Vastavusdeklaratsioonid on selle juhendi A-lisas.

OHUTUSHOIATUS

Üldised elektritööriistade ohutushoiatused

⚠️HOIATUS Lugege läbi kõik selle elektritööriistaga kaasas olevad ohutushoiatused, juhised, illustatsioonid ja tehnilised andmed. Alljärgnevate juhiste eiramine võib põhjustada elektrilöögi, süttimise ja/või raske kehavigastuse.

Hoidke edaspidisteks viideteks alles kõik hoiatused ja juhtnöörid.

Hoiatuses kasutatud termini „elektritööriist“ all peetakse silmas elektriga töötavaid (juhtmega) elektritööriistu või akuga töötavaid (juhtmata) elektritööriistu.

Kettsae üldised ohutusohiatused

- 1. Kettsaega töötamise ajal hoidke kõik kehaosad saekettist eemal. Enne kettsae käivitamist veenduge, et saekett ei puutuks millegagi kokku.** Hetkeline tähelepanematus kettsaega töötamise ajal võib põhjustada riiete või keha takerdumist saeketti.
- 2. Hoidke kettsaagi alati ühe käega tagumisest käepidemest ja teise käega lisakäepidemest.**
- 3. Hoidke kettsaagi ainult isoleeritud haardepindadest, sest saekett võib puutuda kokku peidetud juhtmetega.** Pingestatud juhtme kokkupuutel saeketiga võivad kettsae katmata metallosad pingestuda, mille tagajärjel võib seadme kasutaja saada elektrilöögi.
- 4. Kasutage silmakaitseid. Soovitatav on kasutada kuulmis-, pea-, käte-, sääрте ja jalalabade lisakaitsevahendeid.** Kaitsevahendid vähendavad vigastuste ohtu juhulsiikul kokkupuutel lendleva prahi või saeketiga.
- 5. Ärge kasutage kettsaagi puu otsas, redelil, katusel või ebastabiilsel aluspinnal.** Sellisel viisil kettsae kasutamine võib lõppeda raskete kehavigastustega.
- 6. Toetuge alati korralikule jalgealusele ja kasutage kettsaagi ainult liikumatul, kindlal ja tasasel pinnal seistes.** Libedad või ebastabiilsed pinnad võivad põhjustada tasakaalu või kettsae juhitavuse kaotust.
- 7. Pinge all oleva oksa lõikamisel arvestage tagasipaiskumisega.** Kui pinge puu kiududes vabaneb, võib pinge all olev oks kasutajat ootamatult tabada ja/või kettsae juhitamatuks muuta.
- 8. Olge eriti ettevaatlik võsa ja noorte puude saagimisel.** Õhuke materjal võib kergesti puruneda ja piitsana teie poole lennata või teid tasakaalust välja lüüa.
- 9. Kandke kettsaagi väljalülitatuna ning kehaest eemal. Kettsae transportimisel või hoiustamisel pange alati juhtlatti kate peale.** Kettsae õige käsitlemine vähendab juhulsiiku kokkupuute tõenäosust liikuva saeketiga.
- 10. Järgige õlitamist, keti pingutamist ning lati ja keti vahetamist puudutavaid juhiseid.** Valesti pingutatud või õlitatud kett võib puruneda või suurendada tagasilöögiohtu.
- 11. Lõigake ainult puitu. Ärge kasutage kettsaagi mitteotstarbekohaselt.** Näiteks ärge kasutage kettsaagi metalli, plasti, kivi või mittepuudist ehitusmaterjalide lõikamiseks. Kettsae kasutamine selleks mitteetteanõud tööde tegemiseks võib tekitada ohtliku olukorra.
- 12. See kettsaag ei ole mõeldud puude langetamiseks.** Kettsae mitteotstarbekohane kasutamine võib põhjustada operaatorile või kõrvalseisjatele rasked vigastusi.
- 13. Järgige ummistunud materjali eemaldamisel ning kettsae hoidmisel ja hooldamisel kõiki juhiseid. Veenduge, et lüliti oleks välja lülitatud ja akupakett eemaldatud.**

14. Tagasilöögi põhjused ja operaatori tegevus selle vältimiseks.

Tagasilöök võib tekkida juhtlatti otsa või tera kokkupuutel esemega või kui saekett jääb puudus olevasse lõikekohta kinni.

Otsa kokkupuude võib mõnel juhul põhjustada äkilise vastupidise reaktsiooni, paisates juhtlatti üles ja tagasi operaatori suunas.

Saeketi kinnijäämine juhtlatti ülaosas võib lükata juhtlatti kiiresti tagasi operaatori suunas.

Kõik need reaktsioonid võivad põhjustada juhitavuse kaotamise sae üle, mis omakorda võib tekitada raskeid kehavigastusi. Ärge loote ainult sae sisseehitatud kaitsevadestite peale. Kettsae kasutajana peate võtma tarvitusele mitu abinõud, et vältida lõiketööde ajal õnnetusi ja vigastusi.

Tagasilöök on kettsae väärkasutuse ja/või ebaõigete tööoperatsioonide või -tingimuste tulemus, mida on võimalik vältida, kui järgida alljärgnevatid asjakohaseid ettevaatusabinõusid.

- **Säilitage tugev haare, hoides mõlema käe põialde ja näppudega kettsae käepidemest, ning sättige oma keha ja käsi nii, et suudaksite vastu panna tagasilöögi jõule.** Operaator saab tagasilöögi jõudu kontrollida, võttes kasutusele asjakohased ettevaatusabinõud. Ärge laske kettsaest lahti.

► Joon.1

- **Ärge küünitage kaugemale ega lõigake kõrgemalt kui olakõrguselt.** See aitab ennetada tahtmatut kokkupuudet tera otsaga ja võimaldab paremat kontrolli kettsae üle ootamatutes olukordades.
 - **Kasutage ainult tootja kinnitatud asendusjuhtlatti ja saekette.** Valed asendusjuhtlatti ja saeketid võivad põhjustada keti purunemist ja/või tagasilööki.
 - **Järgige tootja juhiseid kettsae teritamise ja hoolduse kohta.** Lõikesügavuse kõrguse vähendamine võib põhjustada suuremat tagasilööki.
15. **Järgige ummistunud materjali eemaldamisel ning kettsae hoidmisel ja hooldamisel kõiki juhiseid. Veenduge, et lüliti oleks välja lülitatud ja aku eemaldatud.**

Lisaohutusnõuded

Isikukaitsevahendid

1. Riietus peab olema liubuv, kuid ei tohi takistada liikuvust.
2. Kandke töö ajal järgmist kaitseriietust:
 - Testitud kaitsekiiver, kui ohtu põhjustavad kukkuvad oksad või muu sarnane;
 - Näomask või kaitseprillid;
 - Sobivad kuulmiskaitsevahendid (kõrvaklapid, tavalised või vormitavad kõrvatpidid). Nõudmisel teostage mürataseme analüüs.
 - Kindlalt käespüüvad nahast kaitsekindad;
 - Tugevast materjalist valmistatud pikad püksid;
 - Rebenemiskindlast materjalist valmistatud kaitsetunked;
 - Mittelibisevate taldadega, terasest ninakaitsemetega ja rebenemiskindla voodriga kaitsekingad või -saapad;
 - Respiraator, kui teete tööd, mille käigus tekib tolm (nt kuiva puidu saagimine).

Kasutamine

1. Enne töö alustamist kontrollige, kas tööriist on töökorras ja kas selle seisund vastab ohutuseeskirjadele. Kontrollige eriti, kas:
 - mahakäigupidur töötab õigesti;
 - juhtlati- ja ketikate on õigesti paigaldatud;
 - kett on teritatud ja pingutatud vastavalt eeskirjadele.
2. Ärge käivitage tööriista, kui sellele on paigaldatud ketikaitse. Tööriista käivitamine paigaldatud ketikattega võib põhjustada ketikatte ettepoole paiskumise ning selle tagajärjel kehavigastusi ja operaatori läheduses olevate objektide kahjustamist.
3. Ärge seiske otse lõigatava oksa all. Jälgige allakukkuvaid oksa.
4. Vältige tööriista kasutamist halbade ilmaolude korral või kui valitseb äikesoht.
5. Tööriista kasutamisel porisel ja libedal maapinnal või märjal kallakul, pöörake tähelepanu kindlale jalgealusele.

Elektriohutus ja aku ohutu talitlus

1. Vältige ohtlike piirkondi. Ärge kasutage seadet niisketes või märgades kohtades ega jätke seda vihma kätte. Seadmesse sisse sattunud vesi suurendab elektriohujõhtu.
2. Ärge visake kasutatud akut (akusid) tulle. Element võib plahvatada. Kasutatud akude käitlemise võimalikud erinõuded leiate kohalikest eeskirjadest.
3. Akut (akusid) ei tohi avada ega kahjustada. Väljavalgunud elektrolüüt on söövitava toimega ning võib kahjustada silmi ja nahka. See võib osutada allaneelamisel mürgiseks.
4. Ärge laadige akut vihma käes ega märjas keskkonnas.
5. Ärge laadige akut välistingimustes.
6. Ärge käsitsege laadurit, sa laaduri pistikut ja laadimisterminale märgade kätega.
7. Ärge vahetage akut märgade kätega.
8. Ärge jätke akut vihma kätte, samuti ärge laadige, kasutage ega hoiustage akut niiskes või märjas kohas.
9. Ärge tehke aku kontakte vee vm vedelikuga märjaks ega asetage akut vette. Kui kontakt saab märjaks või vedelik tungib aku sisse, võib aku lühistuda ning tekkida ülekuumenemise, süttimise või plahvatuse oht.
10. Pärast masinast või laadijast aku eemaldamist kinnitage akukate kindlasti akule ja pange aku kuiva kohta hoiule.
11. Akukasseti märjaks saamisel laske sellest vesi välja ja pühkige kassetti seajärrel kuiva lapiga. Enne kasutamist laske akukassetil kuivas kohas täielikult kuivada.

HOIDKE JUHEND ALLES.

⚠HOIATUS: ÄRGE UNUSTAGE järgida toote ohutusnõudeid mugavuse või toote (korduskasutamise saavutatud) hea tundmise tõttu. **VALE KASUTUS** või kasutusjuhendi ohutuseeskirjade eiramine võib põhjustada tervisekahjustusi.

Akukassetiiga seotud olulised ohutusjuhised

1. Enne akukasseti kasutamist lugege (1) akulaadija, (2) akut ja (3) seadmel olevad juhtnõupid ja hoiatused läbi.
2. Ärge võtke akukasseti lahti ega muutke seda. See võib põhjustada tulekahju, liigset kuumust või plahvatuse.
3. Kui tööaeg järsult lüheneb, siis lõpetage kohe kasutamine. Edasise kasutamise tulemuseks võib olla ülekuumenemisoht, võimalikud põletused või isegi plahvatus.
4. Kui elektrolüüti satub silma, siis loputage silma puhta veega ja pöörduge koheselt arsti poole. Selline õnnetus võib põhjustada pimedaksjäämist.
5. Ärge tekitage akukasseti lühist:
 - (1) Ärge puutuge klemme elektrijuhtidega.
 - (2) Ärge hoidke akukasseti tööriistakassis koos metallesemetega, nagu naelad, mündid jne.
 - (3) Ärge tehke akukasseti märjaks ega jätke seda vihma kätte.Aku lühis võib põhjustada tugevat elektrivoolu, ülekuumenemist, põletusi ning ka seadet tõsiselt kahjustada.
6. Ärge hoidke ega kasutage tööriista ja akukasseti kohtades, kus temperatuur võib tõusta üle 50 °C (122 °F).
7. Ärge põletage akukasseti isegi siis, kui see on saanud tõsiselt vigastada või on täiesti kuluunud. Akukassett võib tules plahvatada.
8. Ärge naelutage, lõigake, muljuge, visake akukasseti ega laske sel kukkuda, samuti ärge lööge selle pihta kõva esemega. Selline tegevus võib põhjustada tulekahju, liigset kuumust või plahvatuse.
9. Ärge kasutage kahjustatud akut.
10. Sisalduvatele liitium-ioonakudele võivad kohalduda ohtlike kaupade õigusaktide nõuded. Kaubanduslikul transportimisel, näiteks kolmanda poolte või transpordiettevõtete poolt, tuleb järgida pakendil ja siltidel toodud erinõudeid. Transportimiseks ettevalmistamisel on vajalik pidada nõu ohtliku materjali ekspertiiga. Samuti tuleb järgida võimalike riiklike regulatsioonide üksikasjalikumaid nõudeid. Katke teibiga või varjake avatud kontaktid ja pakendage aku selliselt, et see ei saaks pakendis liikuda.
11. Kasutuskoõlmatuks muutunud akukasseti kõrvaldamiseks eemaldage see tööriistast ja viige selleks ette nähtud kohta. Järgmise kasutuskoõlmatuks muutunud aku kõrvaldamise kohalike eeskirju.
12. Kasutage akusid ainult Makita heaks kiidetud toodetega. Akude paigaldamine selleks mitte ettenähtud toodetele võib põhjustada süttimist, ülemäärast kuumust, plahvatamist või elektrolüüdi lekkimist.
13. Kui tööriista ei kasutata pika ajaperioodi jooksul, tuleb aku tööriistast eemaldada.
14. Kasutamise ajal ja pärast kasutamist võib akukassett kuumeneda, mis võib põhjustada põletusi või madala temperatuuri põletusi. Olge kuuma akukasseti kandmisel ettevaatlik.
15. Ärge puudutage tööriista klemmi kohe pärast kasutamist, sest see võib olla kuum ja põhjustada põletusi.
16. Hoidke akukasseti klemmid, avad ja sooned tükkestest, tolmust ja mullast puhtad. See võib põhjustada tööriista või aku ülekuumenemist, süttimist, purunemist ja talitlushäireid, mis võib lõppeda põletuste või kehavigastustega.

17. Kui tööriist ei kannata kasutamist kõrgepingeliinide lähedal, ärge kasutage akukassetti kõrgepingeliinide lähedal. Muidu võib tööriist või akukassett puruneda või sellel tõrge tekkida.

18. Hoidke akut lastele kättesaamatult.

HOIDKE JUHEND ALLES.

⚠ETTEVAATUST: Kasutage ainult Makita originaalakusid. Mitte Makita originaalakude või muudetud akude kasutamine võib põhjustada akude süttimise, kehavigastuse ja kahjustuse. Samuti muudab see kehtetuks Makita tööriista ja laadja Makita garantii.

Vihjeid aku maksimaalse kasutaja tagamise kohta

1. Laadige akukassetti enne selle täielikku tühjenemist. Kui märkate, et tööriist töötab väiksema võimsusega, peatage töö ja laadige akukassetti.
2. Ärge laadige täielikult laetud akukassetti. Ülelaadimine lühendab akude kasutusiga.
3. Laadige akukassetti toatemperatuuril 10 °C - 40 °C. Enne laadimist laske kuumenenud akukassetil maha jahtuda.
4. Kui te ei kasuta parajasti akukassetti, eemaldage see tööriistast või laadurist.
5. Kui te ei kasuta akukassetti kauem kui kuus kuud, laadige see.

OSADE KIRJELDUS

► Joon.2

1	Lisakäepide	2	Kaitsekate	3	Saekett
4	Juhtlatt	5	Õlipaagi kork	6	Juhtlatai kate
7	Ketiratta kate	8	Lukust avamise hoob	9	Tagumine käepide
10	Lüliti päästik	11	Hoob	12	Akukassett

FUNKTSIONAALNE KIRJELDUS

⚠ETTEVAATUST: Kandke alati hoolt selle eest, et tööriist oleks enne reguleerimist ja kontrollimist välja lülitatud ja akukassett eemaldatud.

Akukasseti paigaldamine või eemaldamine

⚠ETTEVAATUST: Lülitage tööriist alati enne akukasseti paigaldamist või eemaldamist välja.

⚠ETTEVAATUST: Akukasseti paigaldamisel või eemaldamisel tuleb tööriista ja akukassetti kindlalt paigal hoida. Kui tööriista ja akukassetti ei hoita kindlalt paigal, võivad need käest libiseda ning kahjustada tööriista ja akukassetti või põhjustada kehavigastusi.

► Joon.3: 1. Punane näidik 2. Nupp 3. Akukassett

Akukasseti eemaldamiseks libistage see tööriista küljest lahti, vajutades kasseti esiküljel paiknevat nuppu alla.

Akukasseti paigaldamiseks joondage akukasseti keel korpuse soonega ja libistage kassett oma kohale. Sisestage see terve nisti, kuni see lukustub klõpsuga oma kohale. Kui näete joonisel näidatud punast näidikut, pole see täielikult lukustunud.

⚠ETTEVAATUST: Paigaldage akukassett alati täies ulatuses nii, et punast osa ei jääks näha. Muidu võib adapter juhuslikult tööriistast välja kukkuda ning põhjustada teile või läheduses viibivatele isikutele vigastusi.

⚠ETTEVAATUST: Ärge rakendage akukasseti paigaldamisel jõudu. Kui kassett ei lähe kergesti sisse, pole see õigesti paigaldatud.

Aku jääkmahutavuse näit

Ainult näidikuga akukassettidele

► Joon.4: 1. Märgulambid 2. Kontrollimise nupp

Akukasseti järelejäänud mahutavuse kontrollimiseks vajutage kontrollimise nuppu. Märgulambid süttivad mõneks sekundiks.

Märgulambid			Jääkmahutavus
Pöleb	Ei põle	Vilgub	
■ ■ ■ ■			75 - 100%
■ ■ ■ □			50 - 75%
■ ■ □ □			25 - 50%
■ □ □ □			0 - 25%
▬ □ □ □			Laadige akut.
■ ■ □ □			Akul võib olla tõrge.
□ □ ■ ■			

MÄRKUS: Näidatud mahutavus võib veidi erineda tegelikust mahutavusest olenevalt kasutustingimustest ja ümbritseva keskkonna temperatuurist.

MÄRKUS: Esimene (taga vasakul asuv) märgutuli vilgub, kui akukaitsesüsteem töötab.

Tööriista/aku kaitsesüsteem

Tööriist on varustatud tööriista või aku kaitsesüsteemiga. Süsteem lülitab mootori automaatselt välja, et pikendada tööriista ja aku tööiga. Tööriist seiskub käitamise ajal automaatselt, kui tööriista või aku kohta kehtib üks järgmistest tingimustest.

Ülekoormuskaitse

Kui tööriist või aku hakkab kasutamise käigus tarbima ebaharilikult palju voolu, seiskub tööriist automaatselt. Sel juhul lülitage tööriist välja ja lõpetage tööriista ülekoormuse põhjustanud töö. Pärast seda käivitage tööriist uuesti.

Ülekuumenemiskaitse

Tööriista või aku ülekuumenemisel seiskub tööriist automaatselt. Laske sellisel juhul tööriistal ja akul enne tööriista uuesti sisselülitamist jahtuda.

Ülelaadimiskaitse

Kui aku laetuse tase ei ole piisav, seiskub tööriist automaatselt. Sellisel juhul eemaldage aku seadmest ja laadige täis.

Lüliti funktsioneerimine

⚠️HOIATUS: Ohutuse huvides on sellel tööriistal lukust avamise hoob, mis hoiab ära tööriista ootamatu käivitumise. **ÄRGE KUNAGI** kasutage tööriista, kui see hakkab tööle lihtsalt lüliti päästiku tõmbamisel, lukust avamise hooba vajutamata. **ENNE** edasist kasutamist viige masin parandamiseks volitatud teeninduskeskusesse.

⚠️HOIATUS: **ÄRGE KUNAGI** teipige lahtilukustuse hooba kinni ega üritage selle funktsiooni blokeerida.

⚠️ETTEVAATUST: Kontrollige alati enne akukassetti tööriista külge paigaldamist, kas lüliti päästik funktsioneerib nõuetekohaselt ja liigub lahtilaskmisel tagasi väljalülitatud asendisse.

TÄHELEPANU: Ärge tõmmake lüliti päästikut jõuga ilma lahtilukustuse hooba vajutamata. See võib põhjustada lüliti purunemise.

Lüliti päästiku juhusliku tõmbamise vältimiseks on olemas lukust avamise hoob. Tööriista käivitamiseks vajutage lukust avamise hoob alla ja tõmmake lüliti päästikut. Seiskamiseks laske lüliti päästik lahti.

▶ **Joon.5:** 1. Lüliti päästik 2. Lukust avamise hoob

Mahakäigupiduri kontrollimine

⚠️ETTEVAATUST: Kui saekett ei peatu testi käigus mõne sekundi jooksul, lõpetage tööriista kasutamine ja konsulteerige meie volitatud teeninduskeskusega.

Käivitage tööriist ja seejärel laske lüliti päästik täielikult lahti. Saekett peab mõne sekundi jooksul seiskuma.

KOKKUPANEK

⚠️ETTEVAATUST: Kandke alati hoolt selle eest, et tööriist oleks enne igasuguseid hooldustöid välja lülitatud ja akukassett eemaldatud.

⚠️ETTEVAATUST: Ärge puudutage saeketti paljaste kättega. Kandke saeketi käsitlemisel alati kaitsekindaid.

Saeketi eemaldamine või paigaldamine

⚠️ETTEVAATUST: Pärast töötamist on saekett ja juhtlatt endiselt kuumad. Enne mis tahes tööde teostamist tööriistal laske nendel piisavalt maha jahtuda.

⚠️ETTEVAATUST: Paigaldage ja eemaldage saekett alati puhtas kohas, kus ei ole saepuru ega midagi muud sarnast.

Saeketi eemaldamine

Saeketi eemaldamiseks toimige järgmiselt.

1. Tõmmake hoob üles.
▶ **Joon.6:** 1. Hoob
2. Keerake hooba vastupäeva kuni ketiratta kate maha tuleb.
▶ **Joon.7:** 1. Ketiratta kate 2. Hoob
3. Eemaldage ketiratta kate ning seejärel eemaldage saekett ja juhtlatt tööriista kerelt.

Saeketi paigaldamine

Saeketi paigaldamiseks toimige järgmiselt.

1. Tõmmake hoob üles.
▶ **Joon.8:** 1. Hoob
2. Keerake hooba vastupäeva kuni ketiratta kate maha tuleb.
▶ **Joon.9:** 1. Hoob 2. Ketiratta kate
3. Eemaldage ketiratta kate.
4. Joondage juhtlatil olev ava tööriista kerel oleva tihvtiga ning seejärel asetage juhtlatt joonisel näidatud viisil.
▶ **Joon.10:** 1. Juhtlatt 2. Ava 3. Tihvt
5. Tihvti lukustamiseks lükake juhtlati ketiratta poole.
▶ **Joon.11:** 1. Juhtlatt 2. Tihvt
6. Eemaldage juhtlatt tööriista kerelt.
7. Kontrollige saeketi suunda. Viige saeketi suund vastavusse tööriista kerel oleva märgistusega.
▶ **Joon.12:** 1. Märgistus tööriista kerel
8. Asetage saeketi üks ots juhtlati tippu.
9. Paigaldage saeketi teine ots ketiratta ümber, seejärel ühendage juhtlatt tööriista kerega, joondades juhtlatil olev ava kerel oleva tihvtiga.
▶ **Joon.13:** 1. Ketiratta

Tihvti vabastamiseks vajutage juhtlatti vastu tööriista keret. Saeketi pingsust reguleeritakse automaatselt.

► **Joon.14:** 1. Saekett 2. Tihvt 3. Ketiratas

10. Pange ketiratta kate nii, et polt ja tööriista kerel olev tihvt puutuvad ketiratta kattel olevaid vastasdetailaie.

► **Joon.15:** 1. Ketiratta kate 2. Polt 3. Tihvt

11. Pöörake hooba päripäeva, kuni ketiratta kate on kinni, ja tooge seejärel algasendisse tagasi.

► **Joon.16:** 1. Hoob 2. Ketiratta kate

Veenduge, et saekett ei lödveneks ning et saeketti saaks sujuvalt edasi-tagasi liigutada. Vajaduse korral reguleerige saeketi pingsust, vt saeketi pingsuse reguleerimise jaotist.

Saeketi pingsuse reguleerimine

⚠ETTEVAATUST: Liiga lõtv kett võib latilit maha tulla ja põhjustada vigastuse või õnnetusjuhtumi.

Tundidepikkuse kasutamise järel võib saekett lödveneda. Enne kasutamist kontrollige aeg-ajalt saeketi pingsust.

Kui saekett on lõtv, reguleerige saeketi pingsust.

1. Tõmmake hoob üles.

► **Joon.17:** 1. Hoob

2. Ketiratta katte kergeks lödvendamiseks keerake hooba veidi vastupäeva. Keti pingsust reguleeritakse automaatselt.

► **Joon.18:** 1. Ketiratta kate 2. Hoob

3. Pöörake hooba päripäeva, kuni ketiratta kate on kinni, ja tooge seejärel algasendisse tagasi.

► **Joon.19:** 1. Hoob 2. Ketiratta kate

TÖÖRIISTA KASUTAMINE

Õlitamine

⚠ETTEVAATUST: Ärge kasutage tööriista, kui paak on tühi. Lisage õli õigel ajal, enne paagi tühjenemist.

⚠ETTEVAATUST: Vältige õli sattumist nahale ja silma. Silma sattunud õli tekitab ärritust. Kui õli satub silma, loputage silma viivitamatult puhta veega ning pöörduge kohe arsti poole.

⚠ETTEVAATUST: Ärge kasutage vana õli. Vana õli sisaldab kantserogeenseid aineid. Vanas õlis sisalduvad saasteained põhjustavad õlipumba, juhtlatti ja keti kiiremat kulumist. Kasutatud õli kahjustab keskkonda.

TÄHELEPANU: Tööriista esmakordsel kasutamisel võib kuluda kuni kaks minutit, enne kui saeketiõli hakkab saemehhanismi õlitama. Laske sael seni koormuseta töötada.

TÄHELEPANU: Esmakordsel ketiõliga täitmisel või täiesti tühjenenud paagi taastäitmisel lisage õli täitekaela alumise ääreni. Vastasel korral võib õliga varustamine olla häiritud.

TÄHELEPANU: Kasutage ainult sellist saeketiõli, mis on mõeldud Makita tööriistadele, või samaväärset turul saadavalolevat õli.

TÄHELEPANU: Ärge kunagi kasutage tolmust või prügist õli ega lenduvat õli.

TÄHELEPANU: Puude kärpimisel kasutage botaanilist õli. Mineraalõli kahjustab puid.

TÄHELEPANU: Veenduge enne lõikamist, et komplekti õlipaagi kork oleks kohale keeratud.

Saeketti õlitatakse tööriista kasutamise ajal automaatselt. Kontrollige regulaarselt õlipaagis allesoleva õli kogust õlikontrolli avast.

► **Joon.20:** 1. Õlikontrolli ava 2. Õlipaagi kork

Õli lisamiseks toimige järgmiselt.

1. Puhastage paagi korgi ümbrus korralikult, et vältida mustuse sattumist õlipaaki.

2. Asetage tööriist küljele.

3. Vajutage õlipaagi korgil olevat nuppu, nii et teisel pool olev nupp tõuseks üles, seejärel keerake õlipaagi kork lahti ja võtke ära.

► **Joon.21:** 1. Õlipaagi kork 2. Pingutamine
3. Lödvendamine

4. Täitke õlipaak õliga. Õige õlikogus on 55 ml.

5. Kruvige paagi kork korralikult tagasi oma kohale.

6. Pühkige õlipritsmed hoolikalt ära.

MÄRKUS: Kui õlipaagi korki on raske eemaldada, sisestage õlipaagi korgi pessa lapikkruvikeeraja ots ja eemaldage seejärel õlipaagi kork, keerates seda vastupäeva.

► **Joon.22:** 1. Pesa 2. Lapikkruvikeeraja

Pärast täitmist hoidke tööriista lõigatavast materjalist eemal. Käivitage tööriist ja oodake, kuni saekett on piisavalt määritud.

► **Joon.23**

Tööriistaga töötamine

⚠ETTEVAATUST: Tööriista töö ajal hoidke kõik kehaosad saeketist eemal.

⚠ETTEVAATUST: Tööriista kasutamise ajal hoidke seda tugevalt mõlema käega.

⚠ETTEVAATUST: Ärge küünitage liiga kaugele ette. Hoidke kogu aeg jalad kindlalt maas ning hoidke tasakaalu.

TÄHELEPANU: Ärge visake tööriista ega laske sel maha kukkuda.

TÄHELEPANU: Ärge katke kinni tööriista ventilatsioonivärsid.

Enne tööriista käivitamist viige juhtlati alumine osa ja tööriista kere tugiosa kokkupuutesse lõigatava oksaga, nagu joonisel on näidatud. Oksa kokkupuutel tööriista ja juhtlatiga käivitage tööriista ja saagige oks, liigutades tööriista mööda oksa alla.

► **Joon.24**

⚠ETTEVAATUST: Enne lõikamist veenduge, et lõigatav oks oleks kokkupuutes juhtlati alumise osaga ning tööriista kere tugiosaga. Vastasel juhul võib tööriist paiskuda juhtlati otsa poole ning juhtlatt võib hakata võbisema ning põhjustada vigastusi.

Tööriista kandmine

Enne tööriista kandmist eemaldage tööriistalt alati akukassett. Seejärel kinnitage juhtlati kate. Katke akukassett samuti akukattega.

► **Joon.25:** 1. Juhtlati kate 2. Akukate

HOOLDUS

⚠ETTEVAATUST: Enne kontroll- või hooldustoimingute tegemist kandke alati hoolt selle eest, et tööriist oleks välja lülitatud ja akukassett korpusse küljest eemaldatud.

⚠ETTEVAATUST: Tööriista kontrollimisel ja hooldustööde tegemisel kandke alati kindaid.

TÄHELEPANU: Ärge kunagi kasutage bensiini, vedeldit, alkoholi ega midagi muud sarnast. Selle tulemuseks võib olla luitumine, deformatsioon või pragunemine.

Toote OHUTUSE ja TÖÖKINDLUSE tagamiseks tuleb vajalikud remonttööd ning muud hooldus- ja reguleerimistööd lasta teha Makita volitatud teeninduskeskustes või tehase teeninduskeskustes. Alati tuleb kasutada Makita varuosi.

Saeketi teritamine

Teritage saeketti siis, kui:

- niiske puidu saagimisel tekib jahune saepuru;
- kett läbibast puitu raskustega isegi tugeva surve avaldamisel;
- lõikeserval on silmnähtavad vigastused;
- saag kisub puidus paremale või vasakule (seda põhjustab saeketi ebaühtlane teritatus või ainult ühe külje vigastus).

Teritage saeketti sagedasti, kuid ainult natukese haaval. Rutiinsel teritamisel piisab enamasti kahest või kolmest viilitõmbest. Pärast saeketi mitmekordset teritamist laske seda teritada meie volitatud teeninduskeskuses.

Teritamiskriteeriumid

⚠HOIATUS: Lõikeserva ja sügavuspiiraja vaheline liiga suur vahemaa suurendab tagasilöögi ohtu.

► **Joon.26:** 1. Lõikuri pikkus 2. Lõikeserva ja sügavuspiiraja vahemaa 3. Lõikuri minimaalne pikkus (3 mm)

- Kõik lõikurid peavad olema võrdse pikkusega. Erineva pikkusega lõikurid takistavad sae sujuvat jooksu ning võivad põhjustada saeketi purunemise.
- Ärge teritage ketti, kui lõikuri pikkus on 3 mm või lühem. Kett tuleb vahetada uue vastu.
- Laastu paksus määratakse sügavuse piiraja (ümar ninna) ja lõikeserva vahelise kauguse alusel.
- Parim lõiketulemus saadakse, kui vahemaa lõikeserva ja sügavuse piiraja vahel on järgmine.
 - Saetera 80TXL : 0,65 mm

► **Joon.27**

- Teritamisnurk 30° peab olema kõikidel lõikuritel ühesugune. Erinevad lõikurinurgad raskendavad sae jooksu ja muudavad selle ebaühtlaseks, kiirendavad kulumist ja viivad keti purunemiseni.
- Kasutage sobivat ümarviili, et tagada hammaste suhtes õige teritamisnurk.
 - Saetera 80TXL : 55°

Viil ja viiljuhik

- Kasutage keti teritamiseks spetsiaalselt saeketidele mõeldud ümarviili (lisatarvik). Tavalised ümarviilid ei sobi.
- Eri saekettide puhul kasutatavate ümarviilide diameetrid on järgmised.
 - Saetera 80TXL : 4,0 mm
- Viil peaks puutama vastu lõikurit ainult tõeke ajal. Tagasitõmbe ajaks tõstke viil lõikuri pealt üles.
- Teritage esmalt kõige lühemat lõikurit. Seejärel määrab lühima lõikuri pikkus saeketi kõigi ülejäänud lõikurite pikkuse.
- Viilige joonisel näidatud moel.

► **Joon.28:** 1. Viil 2. Saekett

- Viili käsitsemine on hõlpsam, kui kasutada viilihoidikut (lisatarvik). Viilihoidikul on markeeringud õige teritamisnurga 30° leidmiseks (seadke markeeringud saeketiga paralleelselt ühele jonele) ja läbitussügavuse piiri tähisted (kuni 4/5 viili läbimõõdust).

► **Joon.29:** 1. Viilihoidik

- Pärast keti teritamist kontrollige ketipiiraja (lisatarvik) abil sügavuse piiraja kõrgust.

► **Joon.30**

- Eemaldage spetsiaalse lameviiliga (lisatarvik) kõik väljaulatuvad osad, ükskõik kui väikesed need ka poleks.
- Ümardage uuesti sügavuse piiraja esiosa.

Juhtlati puhastamine

Juhtlati soonde kogunevad laastud ja saepuru. Need võivad lati soone ummistada ja takistada õli liikumist. Saeketi teritamisel või vahetamisel eemaldage alati ka laastud ja saepuru.

► **Joon.31**

Ketiratta kate puhastamine

Ketiratta kate sisse kogunevad saepuru ja laastud. Eemaldage ketiratta kate ja saekett tööriistalt ja puhastage seejärel saepurust ja laastudest.

► **Joon.32**

Õli väljalaskeava puhastamine

Töö käigus võib tühendusavasse koguneda tolmu ja väikesed osakesed. Selline tolm ja väikesed osakesed võivad häirida õli voolu ja põhjustada terve saeketi ebapiisavat õlitatust. Kui juhtlati tipu õliga varustatus häirub, siis puhastage õli väljalaskeava järgmisel moel.

1. Eemaldage tööriistalt ketiratta kate ja saekett.
2. Eemaldage tolm või väikesed osakesed lapikruuvi-keeraja vms abil.

► **Joon.33:** 1. Lapikruuvikeeraja 2. Õli väljalaskeava

3. Pange akukassett tööriista sisse. Tõmmake lüliti päästikut, et lasta korjunud tolmul ja osakestel õli tühendusava kaudu koos väljalastava õliga välja voolata.

4. Eemaldage akukassett tööriista küljest. Paigaldage ketiratta kate, saekett ja juhtlatt tööriistale tagasi.

Ketiratta vahetamine

⚠ETTEVAATUST: Kulunud ketiratas kahjustab uut saeketti. Sellisel juhul laske ketiratas välja vahetada.

Enne uue saeketi paigaldamist kontrollige ketiratta seisukorda.

► **Joon.34:** 1. Ketiratas 2. Kuluvad piirkonnad

Ketiratta vahetamisel paigaldage alati uus lukustusrõngas.

► **Joon.35:** 1. Lukustusrõngas 2. Ketiratas

TÄHELEPANU: Veenduge, et ketiratas paigaldaks alati joonisel näidatud viisil.

Masina hoindamine

1. Puhastage tööriist enne hoiulepanekut. Eemaldage tööriistast pärast ketiratta kate eemaldamist kõik laastud ja saepuru.
2. Pärast tööriista puhastamist laske sel saeketi ja juhtlati õlitamiseks tühjal töötada.
3. Katke juhtlatt juhtlati kattega.
4. Tühjendage õlipaak.

Regulaarne hooldus

Pika tööea tagamiseks, kahjustuste vältimiseks ja ohutusfunktsioonide täielikuks toimimiseks tuleb teha regulaarselt alljärgnevat hooldustööd. Garantiinõudeid võetakse vastu ainult juhul, kui neid töid tehakse regulaarselt ja korralikult. Nõutud hooldustööde tegemata jätmine võib põhjustada õnnetusi! Tööriista kasutaja ei tohi teha hooldustööd, mida pole kasutusjuhendis kirjeldatud. Kõiki selliseid töid peab tegema meie volitatud teeninduskeskus.

Kontrollitav objekt / töötamisaeag		Enne kasutamist	Iga päev	Iga nädal	Iga 3 kuu tagant	Iga aasta	Enne hoiule panemist
Kogu tööriist	Ülevaatamine.	✓	-	-	-	-	-
	Puhastamine.	-	✓	-	-	-	-
	Kontrollige volitatud teeninduskeskuses.	-	-	-	-	✓	✓
Saekett	Ülevaatamine.	✓	-	-	-	-	-
	Teritamine vastavalt vajadusele.	-	-	-	-	-	✓
Juhtlatt	Ülevaatamine.	✓	✓	-	-	-	-
	Eemaldage tööriistast.	-	-	-	-	-	✓
Keti õlitamine	Kontrollige õli etteandemäära.	✓	-	-	-	-	-
Lüliti päästik	Ülevaatamine.	✓	-	-	-	-	-
Lukustamise hoob	Ülevaatamine.	✓	-	-	-	-	-
Õlipaagi kork	Kontrollige pingsust.	✓	-	-	-	-	-
Kruvid ja mutrid	Ülevaatamine.	-	-	✓	-	-	-

VEAOTSING

Enne remonditöökotta pöördumist kontrollige niidukit ise. Ärge üritage niidukit lahti võtta, kui leiate probleemi, mida kasutusjuhendis ei kirjeldata. Selle asemel pöörduge Makita volitatud teeninduskeskusesse, kus kasutatakse remontimisel alati Makita tagavaraosi.

Tõrge	Põhjus	Tegevus
Tööriist ei käivitu.	Akukassett ei ole paigaldatud.	Paigaldage laetud akukassett.
	Akuga seotud probleem (madal pinge).	Laadige akukassetti. Kui laadimine ei anna tulemust, vahetage akukassett välja.
Mootor seiskub pärast lühiajalist töötamist.	Aku laetustase on madal.	Laadige akukassetti. Kui laadimine ei anna tulemust, vahetage akukassett välja.
Ketil pole õli.	Õli paak on tühi.	Täitke õli paak.
	Õli juhtsoon on määrdunud.	Puhastage soon.
Tööriist ei saavuta maksimaalset pöörlemiskiirust.	Akukassett ei ole õigesti paigaldatud.	Paigaldage akukassett juhendis kirjeldatud viisil.
	Aku võimsus langeb.	Laadige akukassetti. Kui laadimine ei anna tulemust, vahetage akukassett välja.
	Veosüsteem ei tööta korralikult.	Pöörduge remontimiseks teie piirkonna volitatud teeninduskeskusesse.
Ebatavaline vibratsioon: Seisake tööriist viivitamatult!	Juhtlatt või saekett on lõtv.	Reguleerige juhtlatti ja saeketi pingsust.
	Tööriista rike.	Pöörduge remontimiseks teie piirkonna volitatud teeninduskeskusesse.
Saeketti ei saa paigaldada.	Saeketi ja ketiratta kombinatsioon ei ole õige.	Kasutage õiget saeketi ja ketiratta kombinatsiooni vastavalt tehniliste andmete peatükile.

VALIKULISED TARVIKUD

⚠ETTEVAATUST: Neid tarvikuid ja lisaseadiseid on soovitatav kasutada koos Makita tööriistaga, mille kasutamist selles kasutusjuhendis kirjeldatakse. Muude tarvikute ja lisaseadiste kasutamisega kaasneb vigastada saamise oht. Kasutage tarvikuid ja lisaseadiseid ainult otstarbekohaselt.

Saate vajaduse korral kohalikust Makita teeninduskeskusest lisateavet nende tarvikute kohta.

- Saekett
- Juhtlatt
- Juhtlatti kate
- Viil
- Tööriistakott
- Makita algupärane aku ja laadija

MÄRKUS: Mõned nimekirjas loetletud tarvikud võivad kuuluda standardvarustusse ning need on lisatud tööriista pakendisse. Need võivad riigiti erineda.

ТЕХНИЧЕСКИЕ ХАРАКТЕРИСТИКИ

Модель:		DUC101
Общая длина (без стержня направляющей и аккумулятора)		357 мм
Номинальное напряжение		18 В пост. тока
Масса нетто	*1	1,1 кг
	*2	1,6 – 2,0 кг
Стандартная длина направляющей шины		100 мм
Рекомендуемая длина направляющей шины		100 мм
Применимый тип пильной цепи (см. таблицу ниже)		80TXL
Звездочка	Количество зубьев	7
	Шаг	0,325 дюйма
Скорость цепи		0 - 8,0 м/с (0 - 480 м/мин)
Объем маслобака		55 см ³

• Благодаря нашей постоянно действующей программе исследований и разработок указанные здесь технические характеристики могут быть изменены без предварительного уведомления.

• Технические характеристики могут различаться в зависимости от страны.

*1: Масса без пильной цепи, стержня направляющей, крышки пильной шины, масла и блока (блоков) аккумулятора.

*2: Наименьшая и наибольшая совокупная масса согласно процедуре ЕРТА 01/2014. Масса может отличаться в зависимости от дополнительного оборудования; блок (блоки) аккумулятора также считается дополнительным оборудованием.

Сочетание пильной цепи, стержня направляющей и звездочки

Тип пильной цепи		80TXL
Количество приводных звеньев		26
Пильная шина	Длина пильной шины	100 мм
	Длина распила	111 мм
	Шаг	0,325 дюйма
	Измеритель	1,1 мм
	Тип	Жесткая прижимная линейка
Звездочка	Количество зубьев	7
	Шаг	0,325 дюйма

⚠ ОСТОРОЖНО: Используйте подходящее сочетание пильной шины и пильной цепи. Несоблюдение этой рекомендации может привести к травме.

Подходящий блок аккумулятора и зарядное устройство

Блок аккумулятора	BL1815N / BL1820B / BL1830B / BL1840B / BL1850B / BL1860B
Зарядное устройство	DC18RC / DC18RD / DC18RE / DC18SD / DC18SE / DC18SF / DC18SH / DC18WC

• В зависимости от региона проживания некоторые блоки аккумуляторов и зарядные устройства, перечисленные выше, могут быть недоступны.

⚠ ОСТОРОЖНО: Используйте только перечисленные выше блоки аккумуляторов и зарядные устройства. Использование других блоков аккумуляторов и зарядных устройств может привести к травме и/или пожару.











Рекомендованный источник электропитания с проводным подключением

Портативный блок питания	PDC01
--------------------------	-------

- В некоторых регионах определенные модели перечисленных выше источников электропитания с проводным подключением могут быть недоступны.
- Перед началом использования источника электропитания с проводным подключением изучите инструкцию и предупреждающие надписи на нем.

Символы

Ниже приведены символы, которые могут использоваться для обозначения оборудования. Перед использованием убедитесь в том, что вы понимаете их значение.

	Прочитайте руководство по эксплуатации.
	Используйте защитные очки и средства защиты слуха.
	Во время работы инструмент следует держать двумя руками.
	Помните об отдаче и избегайте контакта с кончиком шины.
	Беречь от влаги.
	Максимально допустимая длина среза
	Направление движения цепи
	Только для стран ЕС В связи с наличием в оборудовании опасных компонентов отходы электрического и электронного оборудования, аккумуляторы и батареи могут оказывать негативное влияние на окружающую среду и здоровье человека. Не выбрасывайте электрические и электронные устройства или батареи вместе с бытовыми отходами! В соответствии с директивой ЕС по отходам электрического и электронного оборудования, по аккумуляторам, батареям и отходам аккумуляторов и батарей, а также в соответствии с ее адаптацией к национальному законодательству, отходы электрического оборудования, батареи и аккумуляторы следует хранить отдельно и доставлять на пункт раздельного сбора коммунальных отходов, работающий с соблюдением правил охраны окружающей среды. Это обозначено символом в виде перечеркнутого мусорного контейнера на колесах, нанесенным на оборудование.
	Гарантированный уровень звуковой мощности в соответствии с Директивой ЕС по шумам вне помещений.
	Уровень звуковой мощности в соответствии с Регламентом Австралии (Новый Южный Уэльс) по контролю за шумом

Назначение

Данный инструмент предназначен для обрезки сучьев с деревьев и кустов посредством пильной цепи.

Шум

Типичный уровень взвешенного звукового давления (A), измеренный в соответствии с EN62841-4-1:
 Уровень звукового давления (L_{pA}): 76 дБ (A)
 Уровень звуковой мощности (L_{WA}): 87 дБ (A)
 Погрешность (K): 3 дБ (A)

ПРИМЕЧАНИЕ: Заявленное значение распространения шума измерено в соответствии со стандартной методикой испытаний и может быть использовано для сравнения инструментов.

ПРИМЕЧАНИЕ: Заявленное значение распространения шума можно также использовать для предварительных оценок воздействия.

⚠ОСТОРОЖНО: Используйте средства защиты слуха.

⚠ОСТОРОЖНО: Распространение шума во время фактического использования электроинструмента может отличаться от заявленного значения в зависимости от способа применения инструмента и в особенности от типа обрабатываемой детали.

⚠ОСТОРОЖНО: Обязательно определите меры безопасности для защиты оператора, основанные на оценке воздействия в реальных условиях использования (с учетом всех этапов рабочего цикла, таких как выключение инструмента, работа без нагрузки и включение).

Вибрация

Суммарное значение вибрации (сумма векторов по трем осям), определенное в соответствии с EN62841-4-1:
 Рабочий режим: распиливание древесины
 Распространение вибрации ($a_{h,w}$): 4,6 м/с²
 Погрешность (K): 1,5 м/с²

ПРИМЕЧАНИЕ: Заявленное общее значение распространения вибрации измерено в соответствии со стандартной методикой испытаний и может быть использовано для сравнения инструментов.

ПРИМЕЧАНИЕ: Заявленное общее значение распространения вибрации можно также использовать для предварительных оценок воздействия.

⚠ОСТОРОЖНО: Распространение вибрации во время фактического использования электроинструмента может отличаться от заявленного значения в зависимости от способа применения инструмента и в особенности от типа обрабатываемой детали.

⚠ОСТОРОЖНО: Обязательно определите меры безопасности для защиты оператора, основанные на оценке воздействия в реальных условиях использования (с учетом всех этапов рабочего цикла, таких как выключение инструмента, работа без нагрузки и включение).

Декларации о соответствии

Только для европейских стран

Декларации о соответствии включены в Приложение А к настоящему руководству по эксплуатации.

МЕРЫ БЕЗОПАСНОСТИ

Общие рекомендации по технике безопасности для электроинструментов

⚠ОСТОРОЖНО Ознакомьтесь со всеми инструкциями по технике безопасности, указаниями, иллюстрациями и техническими характеристиками, прилагаемыми к данному электроинструменту. Несоблюдение всех приведенных далее инструкций может привести к поражению электрическим током, возгоранию и/или тяжелым травмам.

Сохраните брошюру с инструкциями и рекомендациями для дальнейшего использования.

Термин "электроинструмент" в предупреждениях относится ко всему инструменту, работающему от сети (с проводом) или на аккумуляторах (без провода).

Общие правила техники безопасности при использовании сучкорезной пилы

1. Не дотрагивайтесь до пильной цепи во время работы сучкорезной пилы. Перед запуском сучкорезной пилы убедитесь в том, что пильная цепь ни к чему не прикасается. Секундная невнимательность при работе с сучкорезной пилой может привести к намотыванию одежды или частей тела пильной цепью.
2. Обязательно держите сучкорезную пилу, взявшись одной рукой за заднюю рукоятку, а другой рукой – за дополнительную рукоятку.
3. Держите сучкорезную пилу только за специальные изолированные поверхности, поскольку при выполнении работ существует риск контакта пильной цепи со скрытой электропроводкой. Контакт пильных цепей с проводом под напряжением может привести к тому, что металлические детали сучкорезной пилы также окажутся под напряжением и могут вызвать поражение оператора электрическим током.

4. **Используйте защитные очки. Рекомендуется использовать дополнительные средства защиты головы, рук, ног и органов слуха.** Надлежащее защитное оборудование снижает риск получения травм от летящих частиц или при случайном прикосновении к пильной цепи.
5. **Не используйте сучкорезную пилу, находясь на дереве, на лестнице, крыше или любой неустойчивой опоре.** Эксплуатация сучкорезной пилы таким образом может привести к тяжелым травмам.
6. **Обязательно твердо стойте на ногах и работайте с сучкорезной пилой только стоя на неподвижной, надежной и ровной поверхности.** Скользящая или неустойчивая поверхность может стать причиной потери равновесия или контроля над сучкорезной пилой.
7. **Отрезая ветку, находящуюся под нагрузкой, помните о возможной отдаче.** Когда напряжение в древесных волокнах исчезнет, отпружинившая ветка может ударить оператора и/или выбить из рук сучкорезную пилу.
8. **Соблюдайте особую осторожность при резании кустарника и молодых деревьев.** Пильная цепь может застрять в гибком материале, в результате чего вас может хлестнуть веткой, или вы можете потерять равновесие в результате рывка.
9. **Переносить сучкорезную пилу следует в выключенном состоянии, держа ее отвернутой от туловища. На время транспортировки или хранения сучкорезной пилы обязательно надевайте крышку пильной шины.** Правильное обращение с сучкорезной пилой снижает вероятность случайного прикосновения к движущейся пильной цепи.
10. **Следуйте инструкциям по нанесению смазки, регулировке натяжения цепи и замене шины и цепи.** Из-за неправильного натяжения или смазки цепи увеличивается риск поломки или отдачи.
11. **Разрешается использовать только для резки дерева. Не используйте сучкорезную пилу в каких-либо целях, для которых она не предназначена. Например: не используйте сучкорезную пилу для резки металла, пластмассы, кирпича или недревесных строительных материалов.** Использование сучкорезной пилы не по назначению может привести к опасным ситуациям.
12. **Данная сучкорезная пила не предназначена для валки деревьев.** Использование сучкорезной пилы для каких-либо операций, отличных от ее предназначения, может привести к тяжелой травме оператора или окружающих.
13. **При удалении застрявшего материала, хранении или обслуживании сучкорезной пилы соблюдайте все инструкции. Убедитесь в том, что переключатель выключен и блок аккумулятора извлечен.**
14. **Причины отдачи и меры их предотвращения оператором:**
Отдача возможна в случае, если передняя часть или кончик пильной шины коснется какого-либо предмета или если дерево сдавит и зажмет пильную цепь в процессе резания.

В некоторых случаях касание кончиком пилы может внезапно отбросить пильную шину вверх и назад в сторону оператора.

Защемление пильной цепи у верхней части пильной шины может отбросить пильную шину назад к оператору. Любая из этих реакций может стать причиной потери контроля над пилой и привести к тяжелым травмам. Не полагайтесь только на встроенные предохранительные устройства пилы. Пользователь сучкорезной пилы должен принять меры для обеспечения резки без несчастных случаев или травм.

Отдача является результатом неправильного использования сучкорезной пилы и/или неправильных процедур или условий эксплуатации. Ее можно избежать, соблюдая указанные далее меры предосторожности:

- **Крепко держите инструмент, обхватив рукоятки сучкорезной пилы большим и остальными пальцами, держа обе руки на пиле и располагая туловище и руки таким образом, который позволял бы противодействовать силам отдачи.** Приняв соответствующие меры предосторожности, оператор способен справиться с силами отдачи. Не выпускайте сучкорезную пилу из рук.

► Рис.1

- **Не пытайтесь дотягиваться до сучьев и не срезайте сучья, расположенные выше уровня плеч.** Это поможет предотвратить непреднамеренный контакт кончика пилы и лучше управлять сучкорезной пилой в непредвиденных ситуациях.
 - **Используйте сменные стержни направляющей и пильные цепи только рекомендованного производителем типа.** Использование других сменных стержней направляющих и пильных цепей может привести к разрыву цепи и/или отдаче.
 - **Следуйте инструкциям производителя по заточке и обслуживанию цепной пилы.** Уменьшение высоты глубиномера может привести к увеличению силы отдачи.
15. **При удалении застрявшего материала, хранении или обслуживании сучкорезной пилы соблюдайте все инструкции. Убедитесь в том, что переключатель выключен и блок аккумулятора извлечен.**

Дополнительные инструкции по технике безопасности

Индивидуальные средства защиты

1. Одежда должна быть достаточно облегающей, но не должна сковывать движений.
2. Во время выполнения работ используйте следующие средства индивидуальной защиты:
 - Сертифицированную защитную каску, в случае наличия опасности от падающих веток и т. п.;
 - Защитную маску или защитные очки;
 - Соответствующие средства защиты слуха (наушники или беруши). Октавный анализ модели по запросу.
 - Прочные кожаные защитные перчатки;

- Длинные брюки, изготовленные из прочной ткани;
- Защитные брюки из ткани, устойчивой к порезам;
- Ботинки или сапоги для безопасной работы с нескользящей подошвой, стальным носком и тканевой подкладкой, устойчивой к порезам;
- Респиратор при выполнении работ, приводящих к образованию пыли (например, распиливание сухой древесины).

Эксплуатация

1. **Перед началом работы убедитесь, что инструмент находится в нормальном рабочем состоянии и соответствует нормативным требованиям техники безопасности. В частности, убедитесь, что:**
 - тормоз для нерабочего состояния работает нормально;
 - шина и крышка звездочки установлены правильно;
 - цепь наточена и натянута в соответствии с требованиями.
2. **Не включайте сучкорезную пилу, если на ней установлена крышка цепи.** Запуск инструмента с установленной на нем крышкой цепи может привести к отрыванию крышки вперед с причинением травмы или повреждением окружающих предметов.
3. **Не стойте непосредственно под срезаемой веткой.** Обращайте внимание на падающие ветви.
4. **Запрещается использовать инструмент в неблагоприятных погодных условиях и если существует риск удара молнии.**
5. **При использовании инструмента в грязи, на влажном склоне или на скользкой поверхности будьте осторожны, чтобы не поскользнуться.**

Электробезопасность

1. **Избегайте опасных сред. Не используйте инструмент в местах с повышенной влажностью и под дождем.** Попавшая в инструмент вода повышает опасность поражения электрическим током.
2. **Не бросайте аккумуляторные блоки в огонь.** Они могут взорваться. Уточните местные правила утилизации аккумуляторов.
3. **Не вскрывайте и не разбивайте аккумуляторы.** Содержащийся в них электролит очень едкий, вы можете повредить глаза или кожу. При проглатывании это вещество может вызвать отравление.
4. **Не заряжайте аккумулятор под дождем или в местах с повышенной влажностью.**
5. **Не заряжайте аккумулятор на улице.**
6. **Не касайтесь зарядного устройства, а также штекера и контактов зарядного устройства влажными руками.**
7. **Запрещается выполнять замену аккумулятора мокрыми руками.**
8. **Запрещается оставлять аккумулятор под дождем, а также заряжать, использовать или хранить аккумулятор в местах с повышенной влажностью.**

9. Избегайте смачивания клемм аккумулятора жидкостью, например водой, и не допускайте погружения аккумулятора в жидкость. Намокание клеммы или попадание жидкости внутрь аккумулятора могут привести к короткому замыканию аккумулятора, его перегреву, возгоранию или взрыву.
10. После извлечения аккумулятора из газонокосилки или зарядного устройства обязательно присоедините к аккумулятору крышку отсека аккумулятора и оставьте его в сухом месте.
11. В случае попадания воды на блок аккумулятора вылейте воду из блока и протрите его сухой тканью. Прежде чем использовать блок аккумулятора, дайте ему полностью высохнуть в сухом месте.

СОХРАНИТЕ ДАННЫЕ ИНСТРУКЦИИ.

▲ОСТОРОЖНО: НЕ ДОПУСКАЙТЕ, чтобы удобство или опыт эксплуатации данного устройства (полученный от многократного использования) доминировали над строгим соблюдением правил техники безопасности при обращении с этим устройством. **НЕПРАВИЛЬНОЕ ИСПОЛЬЗОВАНИЕ** инструмента или несоблюдение правил техники безопасности, указанных в данном руководстве, может привести к тяжелой травме.

Важные правила техники безопасности для работы с аккумуляторным блоком

1. Перед использованием аккумуляторного блока прочитайте все инструкции и предупреждающие надписи на (1) зарядном устройстве, (2) аккумуляторном блоке и (3) инструменте, работающем от аккумуляторного блока.
 2. Не разбирайте блок аккумулятора и не меняйте его конструкцию. Это может привести к пожару, перегреву или взрыву.
 3. Если время работы аккумуляторного блока значительно сократилось, немедленно прекратите работу. В противном случае, может возникнуть перегрев блока, что приведет к ожогам и даже к взрыву.
 4. В случае попадания электролита в глаза промойте их обильным количеством чистой воды и немедленно обратитесь к врачу. Это может привести к потере зрения.
 5. Не замыкайте контакты аккумуляторного блока между собой:
 - (1) Не прикасайтесь к контактам какими-либо токопроводящими предметами.
 - (2) Не храните аккумуляторный блок в контейнере вместе с другими металлическими предметами, такими как гвозди, монеты и т. п.
 - (3) Не допускайте попадания на аккумуляторный блок воды или дождя.
6. Не храните и не используйте инструмент и аккумуляторный блок в местах, где температура может достигать или превышать 50 °C (122 °F).
 7. Не бросайте аккумуляторный блок в огонь, даже если он сильно поврежден или полностью вышел из строя. Аккумуляторный блок может взорваться под действием огня.
 8. Запрещено вбивать гвозди в блок аккумулятора, резать, ломать, бросать, ронять блок аккумулятора или ударять его твердым предметом. Это может привести к пожару, перегреву или взрыву.
 9. Не используйте поврежденный аккумуляторный блок.
 10. Входящие в комплект литий-ионные аккумуляторы должны эксплуатироваться в соответствии с требованиями законодательства об опасных товарах.

При коммерческой транспортировке, например, третьей стороной или экспедитором, необходимо нанести на упаковку специальные предупреждения и маркировку.

В процессе подготовки устройства к отправке обязательно проконсультируйтесь со специалистом по опасным материалам. Также соблюдайте местные требования и нормы. Они могут быть строже.

Закройте или закрепите разомкнутые контакты и упакуйте аккумулятор так, чтобы он не перемещался по упаковке.
 11. Для утилизации блока аккумулятора извлеките его из инструмента и утилизируйте безопасным способом. Выполняйте требования местного законодательства по утилизации аккумуляторного блока.
 12. Используйте аккумуляторы только с продукцией, указанной Makita. Установка аккумуляторов на продукцию, не соответствующую требованиям, может привести к пожару, перегреву, взрыву или утечке электролита.
 13. Если инструментом не будут пользоваться в течение длительного периода времени, извлеките аккумулятор из инструмента.
 14. Во время и после использования блок аккумулятора может нагреваться, что может стать причиной ожогов или низкотемпературных ожогов. Будьте осторожны при обращении с горячим блоком аккумулятора.
 15. Не прикасайтесь к контактам инструмента сразу после использования, поскольку они могут быть достаточно горячими, чтобы вызвать ожоги.
 16. Не допускайте налипания на контакты, отверстия и пазы блока аккумулятора опилок, пыли или земли. Это может стать причиной перегрева, возгорания, взрыва или неисправности инструмента или блока аккумулятора, что может привести к ожогам или травмам.

17. Если инструмент не рассчитан на использование вблизи высоковольтных линий электропередач, не используйте блок аккумулятора вблизи высоковольтных линий электропередач. Это может привести к неисправности, поломке инструмента или блока аккумулятора.
18. Храните аккумулятор в недоступном для детей месте.

СОХРАНИТЕ ДАННЫЕ ИНСТРУКЦИИ.

⚠ВНИМАНИЕ: Используйте только фирменные аккумуляторные батареи Makita. Использование аккумуляторных батарей, не произведенных Makita, или батарей, которые были подвергнуты модификациям, может привести к взрыву аккумулятора, пожару, травмам и повреждению имущества. Это также автоматически аннулирует гарантию Makita на инструмент и зарядное устройство Makita.

Советы по обеспечению максимального срока службы аккумулятора

1. Заряжайте блок аккумуляторов перед его полной разрядкой. Обязательно прекратите работу с инструментом и зарядите блок аккумуляторов, если вы заметили снижение мощности инструмента.
2. Никогда не подзаряжайте полностью заряженный блок аккумуляторов. Перезарядка сокращает срок службы аккумулятора.
3. Заряжайте блок аккумуляторов при комнатной температуре в 10 - 40 °C (50 - 104 °F). Перед зарядкой горячего блока аккумуляторов дайте ему остыть.
4. Если блок аккумулятора не используется, извлеките его из инструмента или зарядного устройства.
5. Зарядите ионно-литиевый аккумуляторный блок, если вы не будете пользоваться инструментом длительное время (более шести месяцев).

ОПИСАНИЕ ДЕТАЛЕЙ

► Рис.2

1	Дополнительная рукоятка	2	Защитная крышка	3	Пильная цепь
4	Пильная шина	5	Крышка маслобака	6	Крышка пильной шины
7	Крышка звездочки	8	Рычаг разблокировки	9	Задняя ручка
10	Триггерный переключатель	11	Рычаг	12	Блок аккумулятора

ОПИСАНИЕ РАБОТЫ

⚠ВНИМАНИЕ: Перед регулировкой или проверкой функций инструмента обязательно убедитесь, что он выключен и его аккумуляторный блок снят.

Установка или снятие блока аккумуляторов

⚠ВНИМАНИЕ: Обязательно выключайте инструмент перед установкой и извлечением аккумуляторного блока.

⚠ВНИМАНИЕ: При установке и извлечении аккумуляторного блока крепко удерживайте инструмент и аккумуляторный блок. Если не соблюдать это требование, они могут выскользнуть из рук, что приведет к повреждению инструмента, аккумуляторного блока и травмированию оператора.

► Рис.3: 1. Красный индикатор 2. Кнопка 3. Блок аккумулятора

Для снятия аккумуляторного блока нажмите кнопку на лицевой стороне и извлеките блок.

Для установки блока аккумулятора совместите выступ блока аккумулятора с пазом в корпусе и задвиньте его на место. Устанавливайте блок до упора, чтобы он зафиксировался с небольшим щелчком. Если вы видите красный индикатор, как показано на рисунке, он не зафиксирован полностью.

⚠ВНИМАНИЕ: Обязательно устанавливайте блок аккумулятора до конца, чтобы красный индикатор не был виден. В противном случае блок аккумулятора может выпасть из инструмента и нанести травму вам или другим людям.

⚠ВНИМАНИЕ: Не прилагайте чрезмерных усилий при установке аккумуляторного блока. Если блок не двигается свободно, значит он вставлен неправильно.

Индикация оставшегося заряда аккумулятора

Только для блоков аккумулятора с индикатором

► Рис.4: 1. Индикаторы 2. Кнопка проверки

Нажмите кнопку проверки на аккумуляторном блоке для проверки заряда. Индикаторы загорятся на несколько секунд.

Индикаторы			Уровень заряда
Горит	Выкл.	Мигает	
■	□	◐	от 75 до 100%
■ ■ ■ ■	□	□	от 50 до 75%
■ ■	□ □	□ □	от 25 до 50%
■	□ □ □ □	□ □ □ □	от 0 до 25%
◐	□ □ □ □	□ □ □ □	Зарядите аккумуляторную батарею.
■ ■ □ □	□ □	■ ■	Возможно, аккумуляторная батарея неисправна.
	↑ ↓		

ПРИМЕЧАНИЕ: В зависимости от условий эксплуатации и температуры окружающего воздуха индикация может незначительно отличаться от фактического значения.

ПРИМЕЧАНИЕ: Первая (дальняя левая) индикаторная лампа будет мигать во время работы защитной системы аккумулятора.

Система защиты инструмента/аккумулятора

На инструменте предусмотрена система защиты инструмента/аккумулятора. Она автоматически отключает питание двигателя для продления срока службы инструмента и аккумулятора. Инструмент автоматически остановится во время работы в следующих случаях:

Защита от перегрузки

Если из-за определенного режима эксплуатации инструмента или аккумулятора возникает слишком большой ток, осуществляется автоматическая остановка инструмента. В этом случае выключите инструмент и прекратите работу, из-за которой произошла перегрузка инструмента. Затем включите инструмент для перезапуска.

Защита от перегрева

При перегреве инструмента или аккумулятора инструмент останавливается автоматически. В этом случае дайте инструменту и аккумулятору остыть перед повторным включением.

Защита от переразрядки

При истощении емкости аккумулятора инструмент автоматически останавливается. В этом случае извлеките аккумулятор из инструмента и зарядите его.

Действие выключателя

⚠ОСТОРОЖНО: В целях безопасности инструмент оснащен рычагом разблокировки, который предотвращает случайное включение инструмента. **ЗАПРЕЩАЕТСЯ** использовать инструмент после нажатия триггерного переключателя без включения рычага разблокировки. Верните инструмент в авторизованный сервисный центр для надлежащего ремонта ДО продолжения его эксплуатации.

⚠ОСТОРОЖНО: ЗАПРЕЩЕНО фиксировать рычаг разблокировки при помощи липкой ленты и вносить изменения в его конструкцию.

⚠ВНИМАНИЕ: Перед установкой аккумуляторного блока в инструмент обязательно убедитесь, что его триггерный переключатель нормально работает и возвращается в положение "OFF" (ВЫКЛ) при отпускании.

ПРИМЕЧАНИЕ: Не давите сильно на триггерный переключатель, не нажав на рычаг разблокировки. Это может привести к поломке переключателя.

Для предотвращения случайного нажатия триггерного переключателя инструмент оборудован рычагом блокировки в выключенном положении. Для запуска инструмента нажмите на рычаг блокировки в выключенном положении, а затем оттяните триггерный переключатель. Для остановки инструмента отпустите триггерный переключатель.

► Рис.5: 1. Триггерный переключатель 2. Рычаг разблокировки

Проверка тормоза для остановки цепи, когда пила выключена

⚠ВНИМАНИЕ: Если во время этой проверки пильная цепь не останавливается в течение нескольких секунд, прекратите использование инструмента и обратитесь в наш авторизованный сервисный центр.

Включите инструмент и полностью отпустите триггерный переключатель. Пильная цепь должна остановиться в течение нескольких секунд.

СБОРКА

▲ВНИМАНИЕ: Перед проведением каких-либо работ с инструментом обязательно убедитесь, что инструмент отключен, а блок аккумулятора снят.

▲ВНИМАНИЕ: Не прикасайтесь к пильной цепи голыми руками. При работе с пильной цепью обязательно надевайте защитные перчатки.

Снятие или установка пильной цепи

▲ВНИМАНИЕ: После окончания эксплуатации пильная цепь и пильная шина остаются горячими. Дождитесь, пока они остынут, прежде чем выполнять какие-либо работы с инструментом.

▲ВНИМАНИЕ: Процедуру установки и снятия пильной цепи необходимо осуществлять в чистом месте, где нет опилок или других инородных предметов.

Снятие пильной цепи

Чтобы снять пильную цепь, выполните следующие действия:

1. Оттяните рычаг вверх.

► **Рис.6:** 1. Рычаг

2. Поворачивайте рычаг против часовой стрелки до тех пор, пока не будет возможно снять звездочку.

► **Рис.7:** 1. Крышка звездочки 2. Рычаг

3. Снимите крышку звездочки, затем отсоедините пильную цепь и пильную шину от корпуса инструмента.

Установка пильной цепи

Чтобы установить пильную цепь, выполните следующие действия:

1. Оттяните рычаг вверх.

► **Рис.8:** 1. Рычаг

2. Поворачивайте рычаг против часовой стрелки до тех пор, пока не будет возможно снять звездочку.

► **Рис.9:** 1. Рычаг 2. Крышка звездочки

3. Снимите крышку звездочки.

4. Совместите отверстие в стержне направляющей со штифтом на корпусе инструмента, а затем расположите стержень направляющей, как показано на рисунке.

► **Рис.10:** 1. Стержень направляющей 2. Отверстие 3. Штифт

5. Сдвиньте стержень направляющей в направлении звездочки для блокировки штифта.

► **Рис.11:** 1. Стержень направляющей 2. Штифт

6. Снимите стержень направляющей с корпуса инструмента.

7. Проверьте направление движения пильной цепи. Направление пильной цепи должно совпадать с направлением, обозначенным отметкой на корпусе инструмента.

► **Рис.12:** 1. Отметка на корпусе инструмента

8. Поместите один конец пильной цепи на верхнюю часть стержня направляющей.

9. Оберните другой конец пильной цепи вокруг звездочки, а затем прикрепите стержень направляющей к корпусу инструмента таким образом, чтобы отверстие в стержне направляющей совместилось со штифтом на корпусе.

► **Рис.13:** 1. Звездочка

Надавите на стержень направляющей в сторону корпуса инструмента для высвобождения штифта. Натяжение пильной цепи регулируется автоматически.

► **Рис.14:** 1. Пильная цепь 2. Штифт 3. Звездочка

10. Расположите крышку звездочки таким образом, чтобы болт и штифт на корпусе инструмента соответствовали своим ответным элементам на крышке звездочки.

► **Рис.15:** 1. Крышка звездочки 2. Болт 3. Штифт

11. Поворачивайте рычаг по часовой стрелке, пока крышка звездочки не будет надежно закреплена, а затем верните его в первоначальное положение.

► **Рис.16:** 1. Рычаг 2. Крышка звездочки

Убедитесь в том, что пильная цепь не ослабла и может плавно перемещаться назад и вперед. При необходимости отрегулируйте натяжение пильной цепи согласно инструкциям в разделе регулировки натяжения пильной цепи.

Регулирование натяжения пильной цепи

▲ВНИМАНИЕ: Слишком слабо натянутая цепь может соскочить с шины и привести к травме или несчастному случаю.

После многочасового использования пильная цепь может ослабнуть. Перед использованием периодически проверяйте натяжение пильной цепи.

В случае ослабления пильной цепи отрегулируйте ее натяжение.

1. Оттяните рычаг вверх.

► **Рис.17:** 1. Рычаг

2. Немного поверните рычаг против часовой стрелки, чтобы слегка ослабить крышку звездочки. Натяжение цепи регулируется автоматически.

► **Рис.18:** 1. Крышка звездочки 2. Рычаг

3. Поворачивайте рычаг по часовой стрелке, пока крышка звездочки не будет надежно закреплена, а затем верните его в первоначальное положение.

► **Рис.19:** 1. Рычаг 2. Крышка звездочки

ЭКСПЛУАТАЦИЯ

Смазка

▲ВНИМАНИЕ: Не используйте данный инструмент при пустом бачке. Необходимо своевременно доливать масло до опорожнения бачка.

▲ВНИМАНИЕ: Не допускайте попадания масла на кожу и в глаза. Попадание в глаза вызывает раздражение. В случае попадания в глаза немедленно промойте пораженный глаз чистой водой и сразу обратитесь к врачу.

▲ВНИМАНИЕ: Ни в коем случае не пользуйтесь отработанным маслом. Отработанное масло содержит канцерогенные вещества. Загрязняющие примеси в отработанном масле вызывают ускоренный износ масляного насоса, шины и цепи. Отработанное масло наносит вред окружающей среде.

ПРИМЕЧАНИЕ: При первом использовании инструмента может потребоваться до двух минут, пока масло для пильной цепи не начнет смазывать механизм пилы. Запустите пилу без нагрузки, чтобы смазать механизм.

ПРИМЕЧАНИЕ: При первой заливке масла или при его добавлении после полного опорожнения емкости заливайте масло до нижнего края заливной горловины. В противном случае, подача масла может быть нарушена.

ПРИМЕЧАНИЕ: Используйте только масло для пильных цепей, предназначенное для инструментов Makita, или эквивалентное масло, имеющееся в продаже.

ПРИМЕЧАНИЕ: Запрещается использовать загрязненное пылью и прочими частицами масло или летучую смазку.

ПРИМЕЧАНИЕ: При обрезке деревьев используйте масло растительного происхождения. При использовании минерального масла существует вероятность повреждения деревьев.

ПРИМЕЧАНИЕ: Прежде чем приступать к резке, убедитесь, что крышка масляного бака завинчена.

Смазка пильной цепи осуществляется автоматически во время работы. Периодически проверяйте количество масла в баке через контрольное окно уровня масла.

► **Рис.20:** 1. Контрольное окно уровня масла
2. Крышка маслобака

Чтобы залить масло, выполните указанные далее действия.

1. Тщательно очистите участок вокруг крышки масляного бака, чтобы предотвратить попадание грязи в масляный бак.
2. Положите инструмент на бок.

3. Нажмите кнопку на крышке масляного бака, чтобы кнопка на другой стороне поднялась, затем снимите крышку масляного бака, повернув ее.

► **Рис.21:** 1. Крышка маслобака 2. Затянуть
3. Ослабить

4. Заполните масляный бак маслом. Необходимое количество масла – 55 мл.

5. Плотно закрутите крышку масляного бака.

6. Тщательно вытрите пролитое масло для цепи.

ПРИМЕЧАНИЕ: Если крышку масляного бака снять трудно, вставьте жало шлицевой отвертки в паз крышки масляного бака и снимите крышку масляного бака, повернув ее против часовой стрелки.

► **Рис.22:** 1. Гнездо 2. Шлицевая отвертка

После доливания не подносите инструмент близко к отрезаемому материалу. Запустите его и дождитесь надлежащего смазывания пильной цепи.

► **Рис.23**

Работа с инструментом

▲ВНИМАНИЕ: Не приближайте пильную цепь к каким-либо частям тела во время работы инструмента.

▲ВНИМАНИЕ: При работающем инструменте крепко держите его двумя руками.

▲ВНИМАНИЕ: При эксплуатации устройства не тянитесь. Всегда сохраняйте устойчивое положение и равновесие.

ПРИМЕЧАНИЕ: Не кидайте и не роняйте инструмент.

ПРИМЕЧАНИЕ: Не закрывайте вентиляционные отверстия инструмента.

Перед запуском инструмента приведите основание стержня направляющей и опорную часть корпуса инструмента в соприкосновение с веткой, как показано на рисунке. Удерживая инструмент и стержень направляющей в контакте с веткой, запустите инструмент и отпилите ветку, перемещая инструмент вниз вдоль ветки.

► **Рис.24**

▲ВНИМАНИЕ: Перед началом резки убедитесь в том, что срезаемая ветка соприкасается с основанием стержня направляющей и опорной частью корпуса инструмента. В противном случае инструмент может быть оттянут в направлении кончика стержня направляющей, а стержень направляющей может раскататься, что приведет к причинению травмы.

Переноска инструмента

Перед переноской инструмента необходимо снять блок аккумулятора с инструмента. Затем прикрепите крышку пильной шины. Также закройте блок аккумулятора крышкой аккумулятора отсека.

► **Рис.25:** 1. Крышка пильной шины 2. Крышка аккумуляторной батареи

ОБСЛУЖИВАНИЕ

⚠ ВНИМАНИЕ: Перед проведением проверки или работ по техобслуживанию всегда проверяйте, что инструмент выключен, а блок аккумуляторов снят.

⚠ ВНИМАНИЕ: При выполнении осмотра или обслуживания всегда надевайте перчатки.

ПРИМЕЧАНИЕ: Запрещается использовать бензин, растворители, спирт и другие подобные жидкости. Это может привести к обесцвечиванию, деформации и трещинам.

Для обеспечения БЕЗОПАСНОСТИ и НАДЕЖНОСТИ оборудования ремонт, любое другое техобслуживание или регулировку необходимо производить в уполномоченных сервис-центрах Makita или сервис-центрах предприятия с использованием только сменных частей производства Makita.

Заточка пильной цепи

Выполните заточку пильной цепи, если:

- При пилении влажной древесины образуются рыхлые опилки;
- Цепь с трудом входит в древесину даже при приложении значительного усилия на пилу;
- Края распила имеют явные повреждения;
- Пилу при пилении тянет влево или вправо. (из-за неравномерной заточки пильной цепи или повреждения только с одной стороны)

Выполняйте заточку пильной цепи достаточно часто, но понемногу. Для заточки пилы при проведении повседневного ухода обычно достаточно двух или трех проходов напильником. После нескольких заточек заточите пильную цепь в авторизованном сервисном центре.

Требования к заточке:

⚠ ОСТОРОЖНО: Слишком большое расстояние между режущей кромкой и глубиномером повышает риск отбрасывания инструмента из-за отдачи.

- **Рис.26:** 1. Длина режущего элемента
2. Расстояние между режущей кромкой и глубиномером 3. Минимальная длина зубьев (3 мм)

- Длина всех зубьев должна быть одинаковой. Зубья разной длины будут затруднять плавное движение пильной цепи и могут привести к ее разрыву.
- Если длина зубьев пильной цепи 3 мм или меньше, заточивать цепь запрещается. Вместо этого ее необходимо заменить.
- Толщина опилок определяется расстоянием между глубиномером (круглый выступ) и краем режущей кромки.
- Наилучшие результаты достигаются при соблюдении следующего расстояния между режущей кромкой и глубиномером.
 - Цепное лезвие 80TXL : 0,65 мм

► **Рис.27**

- Угол заточки в 30° должен соблюдаться на всех зубьях. Разница в углах заточки может привести к резкому и неравномерному движению цепи, ускоренному износу и к разрыву цепи.
- Необходимо использовать подходящий круглый напильник, чтобы угол заточки был направлен от зубьев.
 - Цепное лезвие 80TXL : 55°

Напильник и заточка напильником

- Для заточки цепей пилы используйте специальный круглый напильник (дополнительная принадлежность). Обычные круглые напильники не подходят для заточки цепей.
- Диаметр круглого напильника для каждой пильной цепи:
 - Цепное лезвие 80TXL : 4,0 мм
- Напильник должен стачивать зуб только при движении вперед. При перемещении напильника назад приподнимайте его над зубьями.
- Сначала заточите самый короткий зуб. Длина этого зуба будет служить ориентиром для остальных зубьев пильной цепи.
- Направьте напильник, как показано на рисунке.

► **Рис.28:** 1. Напильник 2. Пильная цепь

- При использовании держателя напильника (дополнительная принадлежность) направлять напильник будет значительно легче. Держатель напильника имеет метки для правильного угла заточки в 30° (совместите метки параллельно с пильной цепью) и ограничивает глубину проникновения (до 4/5 диаметра напильника).

► **Рис.29:** 1. Держатель напильника

- После заточки цепи проверьте высоту глубиномера, используя для этого измерительный инструмент для цепи (дополнительная принадлежность).

► **Рис.30**

- Удалите любые, даже небольшие, выступы материала при помощи специального плоского напильника (дополнительная принадлежность).
- Закруглите еще раз переднюю часть глубиномера.

Очистка пильной шины

В пазе пильной шины накапливаются щепки и опилки. Это может привести к засорению паза и ухудшить ток масла. Поэтому при заточке или замене пильной цепи необходимо выполнять очистку от щепок и опилок.

► **Рис.31**

Очистка крышки звездочки

Во внутренней части крышки звездочки накапливаются щепки и опилки. Поэтому необходимо снимать крышку звездочки и отсоединять пильную цепь от инструмента, а затем выполнять очистку от щепок и опилок.

► **Рис.32**

Очистка отверстия для подачи масла

Во время работы мелкая пыль или частицы могут скапливаться в отверстии для подачи масла. Они могут негативно повлиять на подачу масла и привести к недостаточной смазке всей пильной цепи. В случае ухудшения подачи масла к цепи в верхней части пильной шины очистите отверстие для подачи масла следующим образом.

1. Снимите крышку звездочки и пильную цепь с инструмента.
2. Удалите мелкую пыль или частицы плоской отверткой или аналогичным инструментом.
▶ **Рис.33:** 1. Шлицевая отвертка 2. Отверстие нагнетания масла
3. Вставьте блок аккумулятора в инструмент. Нажмите на триггерный переключатель для вымывания пыли и мелких частиц через отверстие подачи масла.
4. Извлеките блок аккумулятора из инструмента. Установите крышку звездочки, пильную цепь и стержень направляющей обратно на инструмент.

Указания по периодическому обслуживанию

Чтобы обеспечить продолжительный срок эксплуатации, отсутствие повреждений и правильную работу защитных устройств, необходимо регулярно проводить техническое обслуживание. Гарантийные претензии принимаются только при условии надлежащего и регулярного выполнения этих работ. Невыполнение обязательного технического обслуживания может стать причиной несчастных случаев! Пользователь инструмента не должен выполнять работы по техническому обслуживанию, которые не описаны в инструкции по эксплуатации. Все подобные работы должны выполняться только в нашем авторизованном сервисном центре.

Элемент, подлежащий проверке / Время эксплуатации		Перед началом работы	Ежедневно	Еженедельно	Каждые 3 месяца	Ежегодно	Перед хранением
Инструмент в целом	Осмотр.	✓	-	-	-	-	-
	Очистка.	-	✓	-	-	-	-
	Проверьте в авторизованном сервисном центре.	-	-	-	-	✓	✓
Пильная цепь	Осмотр.	✓	-	-	-	-	-
	При необходимости заточите.	-	-	-	-	-	✓
Пильная шина	Осмотр.	✓	✓	-	-	-	-
	Снять с инструмента.	-	-	-	-	-	✓
Смазка цепи	Проверьте скорость подачи масла.	✓	-	-	-	-	-
Триггерный переключатель	Осмотр.	✓	-	-	-	-	-
Рычаг разблокировки	Осмотр.	✓	-	-	-	-	-
Крышка маслобака	Проверьте герметичность.	✓	-	-	-	-	-
Винты и гайки	Осмотр.	-	-	✓	-	-	-

Замена звездочки

⚠ ВНИМАНИЕ: Изношенная звездочка приведет к повреждению новой пильной цепи. Во избежание этого замените звездочку.

Перед установкой новой пильной цепи проверьте состояние звездочки.

▶ **Рис.34:** 1. Звездочка 2. Подвергающиеся износу участки

При замене звездочки всегда устанавливайте новое блокирующее кольцо.

▶ **Рис.35:** 1. Блокирующее кольцо 2. Звездочка

ПРИМЕЧАНИЕ: Убедитесь, что звездочка была установлена, как показано на рисунке.

Хранение инструмента

1. Перед хранением почистите пилу. Сняв крышку звездочки, удалите щепки и опилки.
2. После очистки инструмента включите его на холостом ходу, чтобы смазать пильную цепь и пильную шину.
3. Закройте пильную шину крышкой.
4. Опорожните масляный бак.

ПОИСК И УСТРАНЕНИЕ НЕИСПРАВНОСТЕЙ

Прежде чем обращаться по поводу ремонта, проведите осмотр самостоятельно. Если обнаружена неисправность, не указанная в руководстве, не пытайтесь разобрать инструмент. Обратитесь в один из авторизованных сервисных центров Makita, в которых для ремонта всегда используются оригинальные детали Makita.

Неисправность	Причина	Действие
Инструмент не запускается.	Не вставлен блок аккумулятора.	Установите заряженный блок аккумулятора.
	Неисправен аккумулятор (низкое напряжение).	Подзарядите блок аккумулятора. Если подзарядка не помогает, замените блок аккумулятора.
После непродолжительного использования двигатель останавливается.	Низкий уровень заряда аккумулятора.	Подзарядите блок аккумулятора. Если подзарядка не помогает, замените блок аккумулятора.
Нет масла на цепи.	Масляный бак пуст.	Заполните масляный бак.
	Загрязнен направляющий желоб для масла.	Очистите желоб.
Инструмент не достигает максимальной частоты вращения.	Неправильно установлен блок аккумулятора.	Вставьте блок аккумулятора, как описано в настоящем руководстве.
	Заряд аккумулятора падает.	Зарядите блок аккумулятора. Если перезарядка не помогает, замените блок аккумулятора.
	Привод работает неправильно.	Обратитесь в авторизованный сервисный центр в вашем регионе для выполнения ремонта.
Сильная вибрация: Немедленно остановите инструмент!	Ослабьте пильную шину или пильную цепь.	Отрегулируйте натяжение пильной шины и пильной цепи.
	Неисправность инструмента.	Обратитесь в авторизованный сервисный центр в вашем регионе для выполнения ремонта.
Невозможно установить пильную цепь.	Неправильное сочетание пильной цепи и звездочки.	Используйте правильную комбинацию пильной цепи и звездочки (см. раздел технических характеристик).

ДОПОЛНИТЕЛЬНЫЕ ПРИНАДЛЕЖНОСТИ

⚠ ВНИМАНИЕ: Данные принадлежности или приспособления рекомендуются для использования с инструментом Makita, указанным в настоящем руководстве. Использование других принадлежностей или приспособлений может привести к получению травмы. Используйте принадлежность или приспособление только по указанному назначению.

Если вам необходимо содействие в получении дополнительной информации по этим принадлежностям, свяжитесь с вашим сервис-центром Makita.

- Пильная цепь
- Пильная шина
- Крышка пильной шины
- Напильник
- Сумка для инструмента
- Оригинальный аккумулятор и зарядное устройство Makita

ПРИМЕЧАНИЕ: Некоторые элементы списка могут входить в комплект инструмента в качестве стандартных приспособлений. Они могут отличаться в зависимости от страны.

Makita Europe N.V. Jan-Baptist Vinkstraat 2,
3070 Kortenberg, Belgium

Makita Corporation 3-11-8, Sumiyoshi-cho,
Anjo, Aichi 446-8502 Japan

www.makita.com

885999-983
EN, SV, NO, FI, DA,
LV, LT, ET, RU
20221110