



EN	Cordless Cleaner	INSTRUCTION MANUAL	8
SV	Sladdlös dammsugare	BRUKSANVISNING	17
NO	Batteridrevet støvsuger	BRUKSANVISNING	25
FI	Akkukäyttöinen pölynimuri	KÄYTTÖOHJE	33
DA	Akku støvsuger	BRUGSANVISNING	41
LV	Bezvadu tīrītājs	LIETOŠANAS INSTRUKCIJA	50
LT	Belaidis siurblys	NAUDOJIMO INSTRUKCIJA	58
ET	Juhtmeta käsitolmuimeja	KASUTUSJUHEND	66
RU	Аккумуляторный пылесос	РУКОВОДСТВО ПО ЭКСПЛУАТАЦИИ	74

CL001G



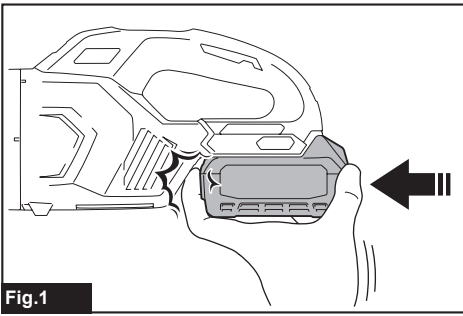


Fig.1

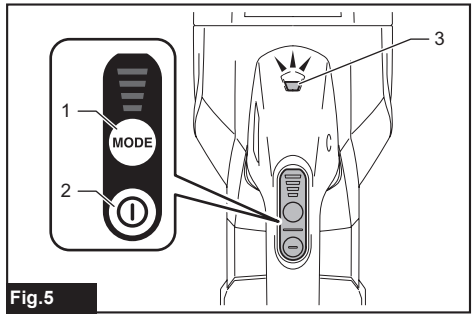


Fig.5

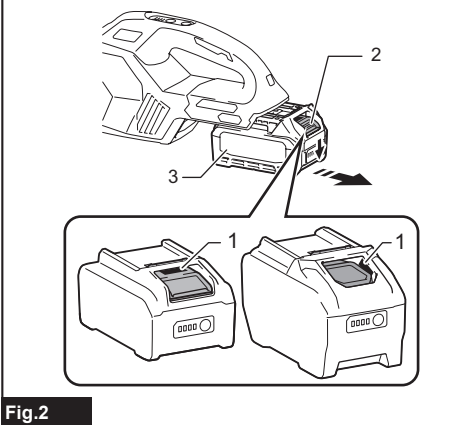


Fig.2

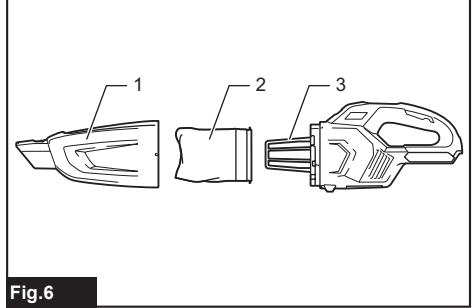


Fig.6

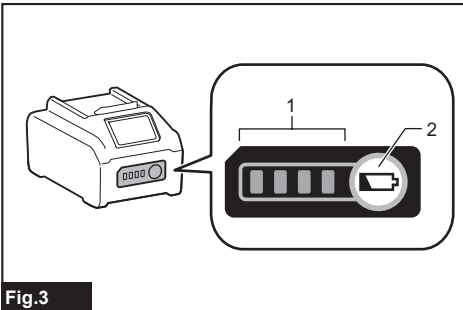


Fig.3

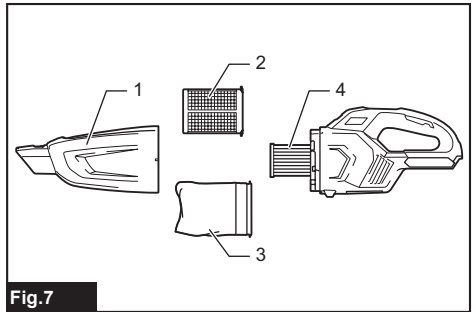


Fig.7

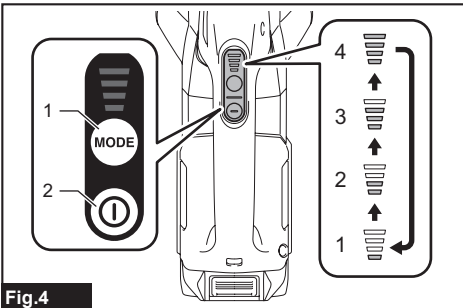


Fig.4

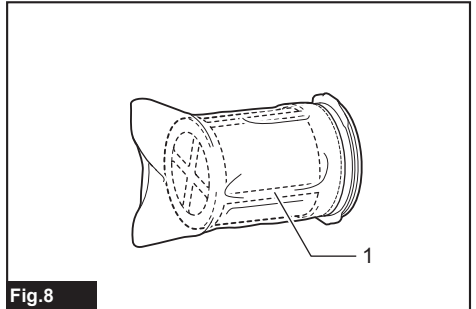
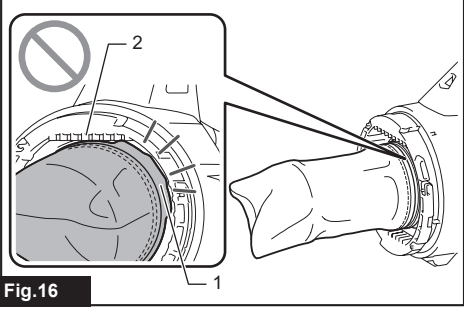
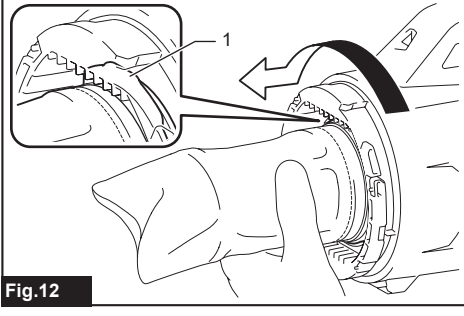
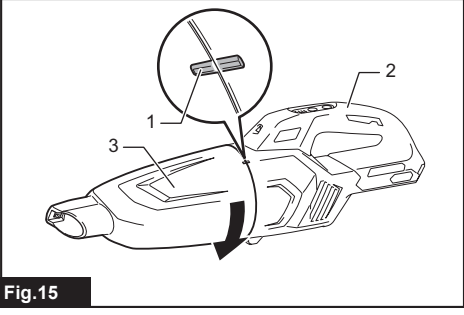
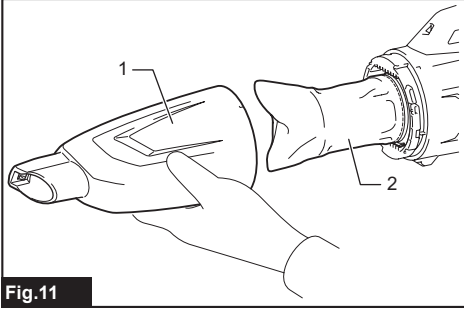
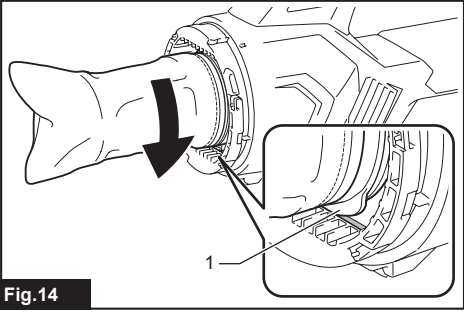
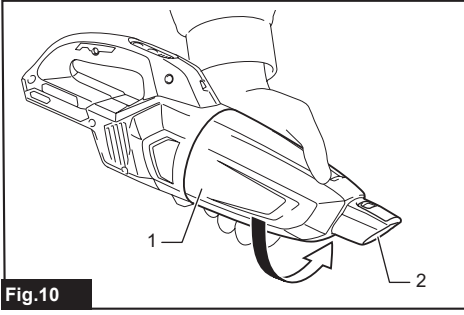
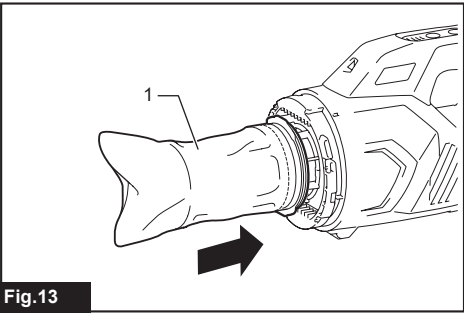
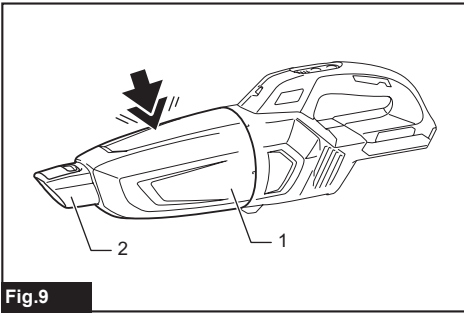


Fig.8



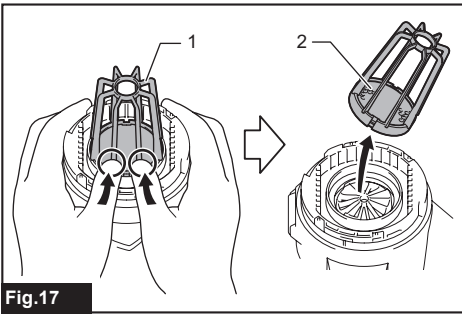


Fig.17

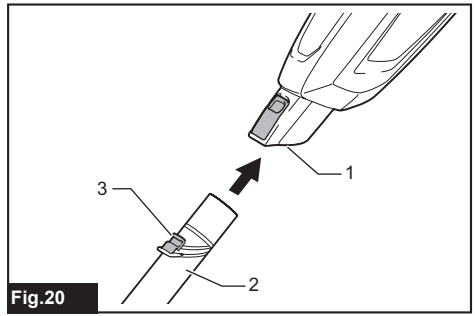


Fig.20

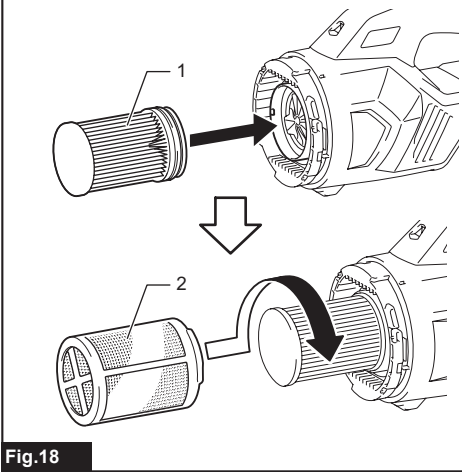


Fig.18

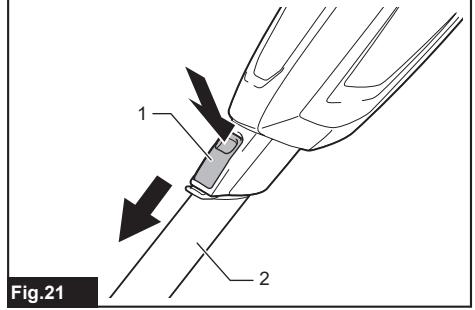


Fig.21

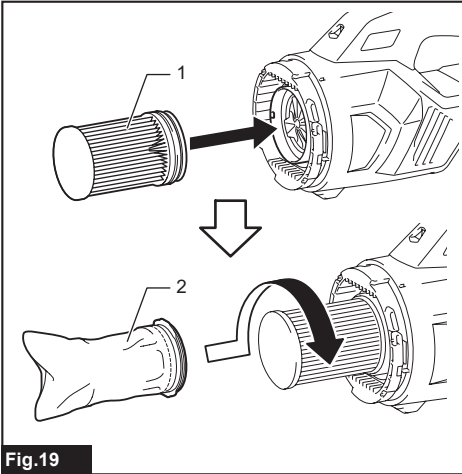


Fig.19

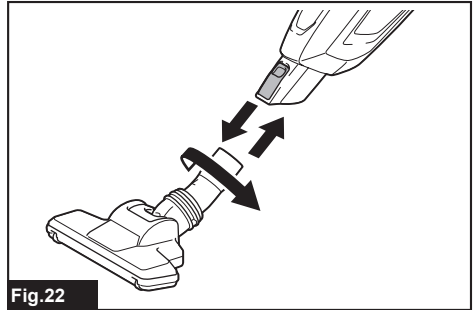


Fig.22

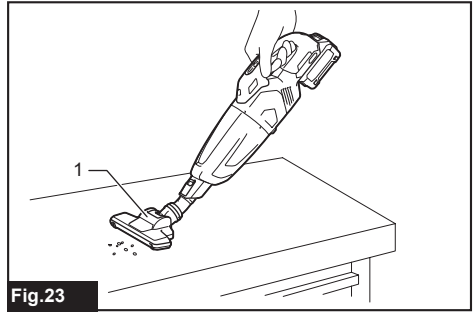


Fig.23

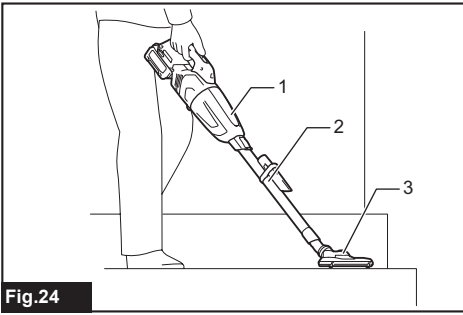


Fig.24

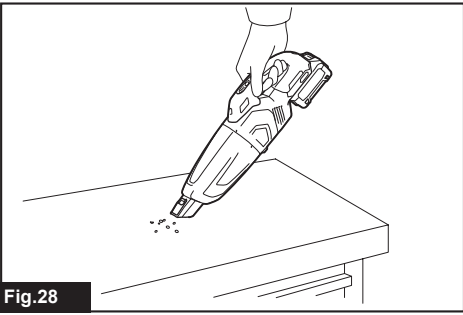


Fig.28

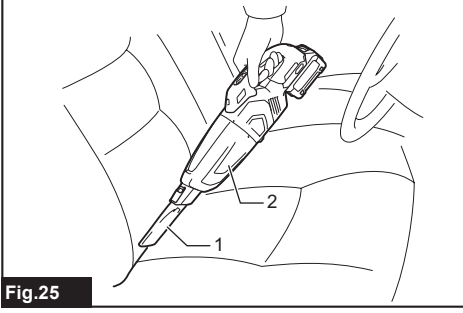


Fig.25

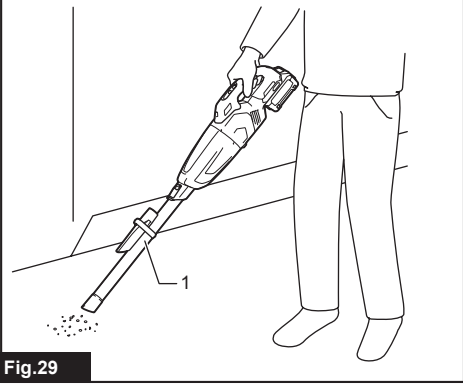


Fig.29

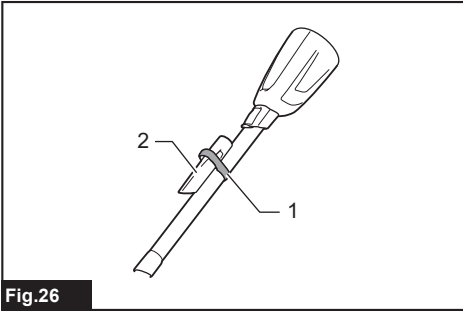


Fig.26

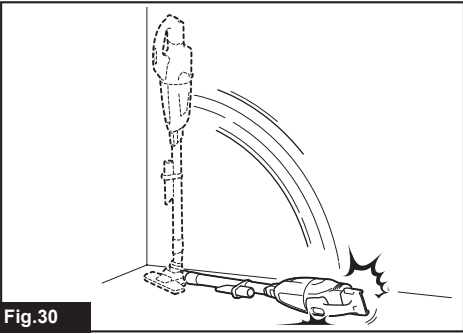


Fig.30

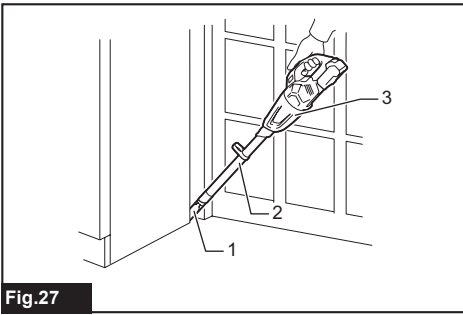


Fig.27

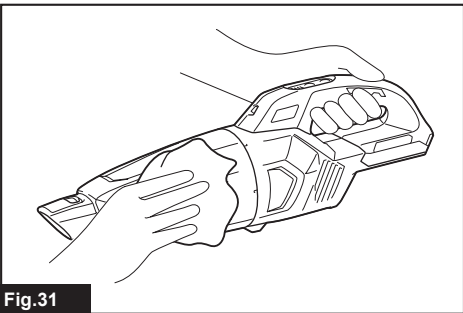


Fig.31

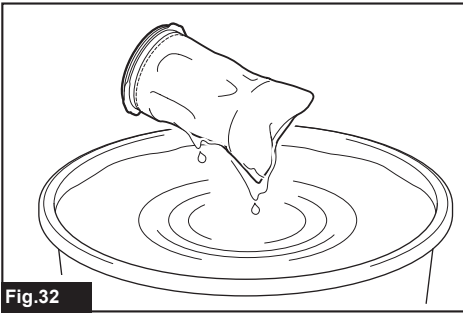


Fig.32

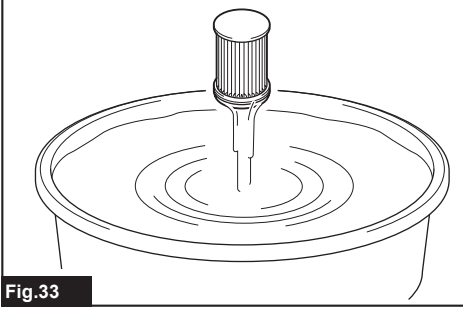


Fig.33

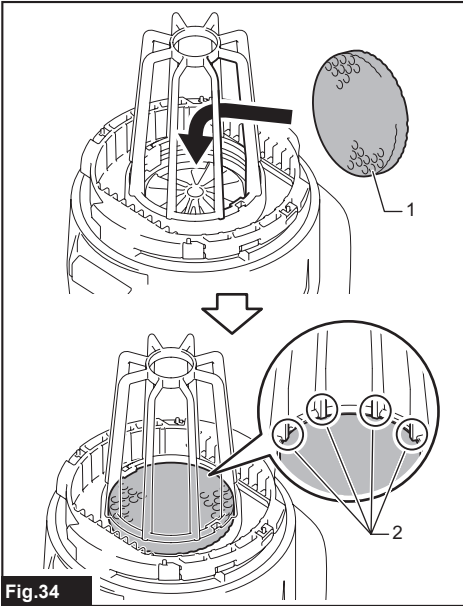


Fig.34

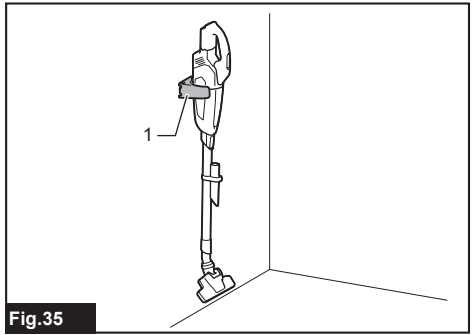


Fig.35

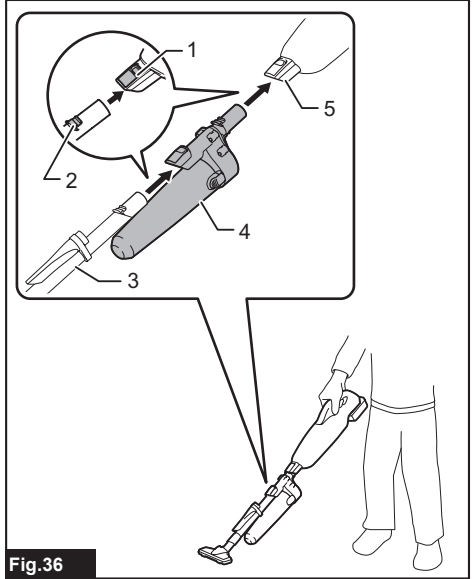


Fig.36

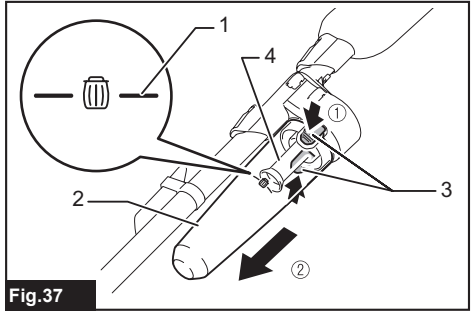


Fig.37

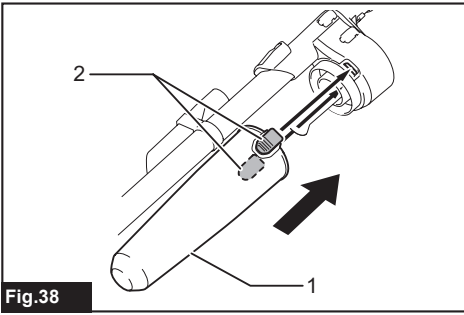


Fig.38

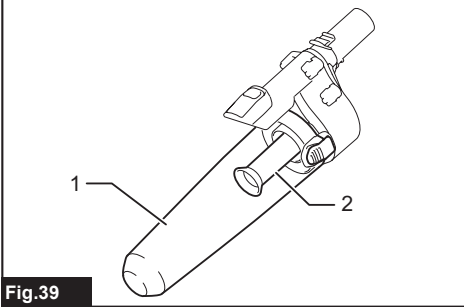


Fig.39

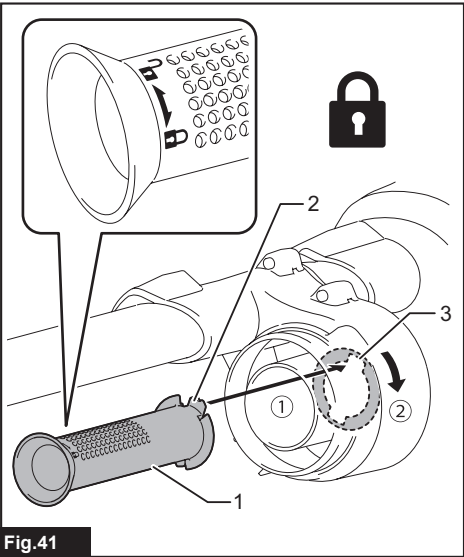


Fig.41

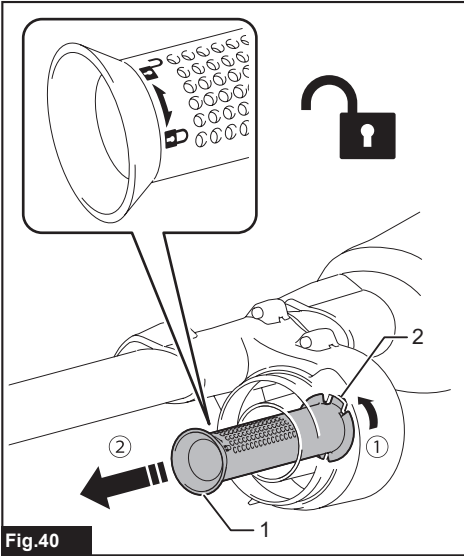


Fig.40

WARNING

- This appliance can be used by children aged from 8 years and above and persons with reduced physical, sensory or mental capabilities or lack of experience and knowledge if they have been given supervision or instruction concerning use of the appliance in a safe way and understand the hazards involved.
- Children shall not play with the appliance. Cleaning and user maintenance shall not be made by children without supervision.
- See the chapter "SPECIFICATIONS" for the type reference of the battery.
- See the section "Installing or removing battery cartridge" for how to remove or install the battery.
- When disposing the battery cartridge, remove it from the tool and dispose of it in a safe place. Follow your local regulations relating to disposal of battery.
- If the tool is not used for a long period of time, the battery must be removed from the tool.
- Do not short the battery cartridge.
- See the chapter "MAINTENANCE" for the appropriate details of precautions during user maintenance.

SPECIFICATIONS

Model:		CL001G
Capacity		730 mL
Continuous use (with battery BL4025)	1 (Quiet mode)	Approx. 80 min
	2 (Normal speed mode)	Approx. 40 min
	3 (High speed mode)	Approx. 25 min
	4 (Max speed mode)	Approx. 16 min
Overall length (with battery BL4025)		1,066 mm
Rated voltage		D.C. 36 V - 40 V max
Net weight		1.7 - 2.3 kg

- Due to our continuing program of research and development, the specifications herein are subject to change without notice.
- Specifications may differ from country to country.
- The weight does not include accessories but battery cartridge(s). The lightest and heaviest combination weight of the appliance and battery cartridge(s) are shown in the table.

Applicable battery cartridge and charger

Battery cartridge	BL4020* / BL4025* / BL4040* / BL4050F * : Recommended battery
Charger	DC40RA / DC40RB / DC40RC

- Some of the battery cartridges and chargers listed above may not be available depending on your region of residence.

⚠ WARNING: Only use the battery cartridges and chargers listed above. Use of any other battery cartridges and chargers may cause injury and/or fire.

Symbols

The followings show the symbols which may be used for the equipment. Be sure that you understand their meaning before use.



Read instruction manual.



Ni-MH
Li-ion

Only for EU countries

Due to the presence of hazardous components in the equipment, waste electrical and electronic equipment, accumulators and batteries may have a negative impact on the environment and human health. Do not dispose of electrical and electronic appliances or batteries with household waste! In accordance with the European Directive on waste electrical and electronic equipment and on accumulators and batteries and waste accumulators and batteries, as well as their adaptation to national law, waste electrical equipment, batteries and accumulators should be stored separately and delivered to a separate collection point for municipal waste, operating in accordance with the regulations on environmental protection. This is indicated by the symbol of the crossed-out wheeled bin placed on the equipment.

Intended use

The tool is intended for collecting dry dust.

SAFETY WARNINGS

Cordless cleaner safety warnings

⚠ WARNING: IMPORTANT! READ CAREFULLY all safety warnings and all instructions BEFORE USE. Failure to follow the warnings and instructions may result in electric shock, fire and/or serious injury.

1. Do not expose to rain. Store indoors.
2. Do not allow to be used as a toy. Close attention is necessary when used by or near children.
3. Use only as described in this manual. Use only manufacturer's recommended attachments.
4. Do not use with damaged battery. If appliance is not working as it should, has been dropped, damaged, left outdoors, or dropped into water, return it to a service center.
5. Do not handle appliance with wet hands.
6. Do not put any object into openings. Do not use with any opening blocked; keep free of dust, lint, hair, and anything that may reduce air flow.
7. Keep hair, loose clothing, fingers, and all parts of body away from openings and moving parts.
8. Turn off all controls before removing the battery.
9. Use extra care when cleaning on stairs.
10. Do not use to pick up flammable or combustible liquids, such as gasoline, or use in areas where they may be present.

11. Use only the charger supplied by the manufacturer to recharge.
12. Do not pick up anything that is burning or smoking, such as cigarettes, matches, or hot ashes.
13. Do not use without dust bag and/or filters in place.
14. Do not charge the battery outdoors.
15. Recharge only with the charger specified by the manufacturer. A charger that is suitable for one type of battery pack may create a risk of fire when used with another battery pack.
16. Use appliances only with specifically designated battery packs. Use of any other battery packs may create a risk of injury and fire.
17. When (the) battery pack is not in use, keep it away from other metal objects, like paper clips, coins, keys, nails, screws or other small metal objects, that can make a connection from one terminal to another.
18. Under abusive conditions, liquid may be ejected from the battery; avoid contact. If contact accidentally occurs, flush with water.
19. Do not use a battery pack or appliance that is damaged or modified. Damaged or modified batteries may exhibit unpredictable behaviour resulting in fire, explosion or risk of injury.
20. Do not expose a battery pack or appliance to fire or excessive temperature. Exposure to fire or temperature above 130 °C may cause explosion.
21. Follow all charging instructions and do not charge the battery pack or appliance outside the temperature range specified in the instructions. Charging improperly or at temperatures outside the specified range may damage the battery and increase the risk of fire.

SAVE THESE INSTRUCTIONS.

ADDITIONAL SAFETY RULES

This appliance is intended for household use.

1. Read this instruction manual and the charger instruction manual carefully before use.
2. Do not pick up the following materials:
 - Hot materials such as lit cigarettes or spark/metal dust generated by grinding/cutting metal
 - Flammable materials such as gasoline, thinner, benzene, kerosene or paint
 - Explosive materials like nitroglycerin
 - Ignitable materials such as Aluminum, zinc, magnesium, titanium, phosphorus or celluloid
 - Wet dirt, water, oil or the like
 - Hard pieces with sharp edges, such as wood chips, metals, stones, glasses, nails, pins or razors
 - Powder to clot such as cement or toner
 - Conductive dust such as metal or carbon
 - Fine particle like concrete dustSuch action may cause fire, injury and/or property damage.

3. Stop operation immediately if you notice anything abnormal.
4. If you drop or strike the cleaner, check it carefully for cracks or damage before operation.
5. Do not bring close to stoves or other heat sources.
6. Do not block the intake hole or vent holes.

SAVE THESE INSTRUCTIONS.

Important safety instructions for battery cartridge

1. Before using battery cartridge, read all instructions and cautionary markings on (1) battery charger, (2) battery, and (3) product using battery.
2. Do not disassemble or tamper the battery cartridge. It may result in a fire, excessive heat, or explosion.
3. If operating time has become excessively shorter, stop operating immediately. It may result in a risk of overheating, possible burns and even an explosion.
4. If electrolyte gets into your eyes, rinse them out with clear water and seek medical attention right away. It may result in loss of your eyesight.
5. Do not short the battery cartridge:
 - (1) Do not touch the terminals with any conductive material.
 - (2) Avoid storing battery cartridge in a container with other metal objects such as nails, coins, etc.
 - (3) Do not expose battery cartridge to water or rain.

A battery short can cause a large current flow, overheating, possible burns and even a breakdown.

6. Do not store and use the tool and battery cartridge in locations where the temperature may reach or exceed 50 °C (122 °F).
7. Do not incinerate the battery cartridge even if it is severely damaged or is completely worn out. The battery cartridge can explode in a fire.
8. Do not nail, cut, crush, throw, drop the battery cartridge, or hit against a hard object to the battery cartridge. Such conduct may result in a fire, excessive heat, or explosion.
9. Do not use a damaged battery.
10. The contained lithium-ion batteries are subject to the Dangerous Goods Legislation requirements.

For commercial transports e.g. by third parties, forwarding agents, special requirement on packaging and labeling must be observed.

For preparation of the item being shipped, consulting an expert for hazardous material is required. Please also observe possibly more detailed national regulations.

Tape or mask off open contacts and pack up the battery in such a manner that it cannot move around in the packaging.

11. When disposing the battery cartridge, remove it from the tool and dispose of it in a safe place. Follow your local regulations relating to disposal of battery.
12. Use the batteries only with the products specified by Makita. Installing the batteries to non-compliant products may result in a fire, excessive heat, explosion, or leak of electrolyte.
13. If the tool is not used for a long period of time, the battery must be removed from the tool.
14. During and after use, the battery cartridge may take on heat which can cause burns or low temperature burns. Pay attention to the handling of hot battery cartridges.
15. Do not touch the terminal of the tool immediately after use as it may get hot enough to cause burns.
16. Do not allow chips, dust, or soil stuck into the terminals, holes, and grooves of the battery cartridge. It may cause heating, catching fire, burst and malfunction of the tool or battery cartridge, resulting in burns or personal injury.
17. Unless the tool supports the use near high-voltage electrical power lines, do not use the battery cartridge near a high-voltage electrical power lines. It may result in a malfunction or breakdown of the tool or battery cartridge.
18. Keep the battery away from children.

SAVE THESE INSTRUCTIONS.

⚠ CAUTION: Only use genuine Makita batteries. Use of non-genuine Makita batteries, or batteries that have been altered, may result in the battery bursting causing fires, personal injury and damage. It will also void the Makita warranty for the Makita tool and charger.

Tips for maintaining maximum battery life

1. Charge the battery cartridge before completely discharged. Always stop tool operation and charge the battery cartridge when you notice less tool power.
2. Never recharge a fully charged battery cartridge. Overcharging shortens the battery service life.
3. Charge the battery cartridge with room temperature at 10 °C - 40 °C (50 °F - 104 °F). Let a hot battery cartridge cool down before charging it.
4. When not using the battery cartridge, remove it from the tool or the charger.
5. Charge the battery cartridge if you do not use it for a long period (more than six months).

FUNCTIONAL DESCRIPTION

CAUTION: Always be sure that the tool is switched off and the battery cartridge is removed before adjusting or checking function on the tool.

CAUTION: Take care not to trap finger(s) between cleaner and battery as shown in diagram when loading battery. Trapping finger(s) may cause injury.

► Fig.1

Installing or removing battery cartridge

CAUTION: Always switch off the tool before installing or removing of the battery cartridge.

CAUTION: Hold the tool and the battery cartridge firmly when installing or removing battery cartridge. Failure to hold the tool and the battery cartridge firmly may cause them to slip off your hands and result in damage to the tool and battery cartridge and a personal injury.

► Fig.2: 1. Red indicator 2. Button 3. Battery cartridge

To remove the battery cartridge, slide it from the tool while sliding the button on the front of the cartridge.

To install the battery cartridge, align the tongue on the battery cartridge with the groove in the housing and slip it into place. Insert it all the way until it locks in place with a little click. If you can see the red indicator as shown in the figure, it is not locked completely.

CAUTION: Always install the battery cartridge fully until the red indicator cannot be seen. If not, it may accidentally fall out of the tool, causing injury to you or someone around you.

CAUTION: Do not install the battery cartridge forcibly. If the cartridge does not slide in easily, it is not being inserted correctly.

Battery protection system

The tool is equipped with a tool/battery protection system. This system automatically cuts off power to the motor to extend tool and battery life. The tool will automatically stop during operation if the tool or battery is placed under one of the following conditions.

Overloaded:

The tool/battery is operated in a manner that causes it to draw an abnormally high current. In this situation, turn the tool off and stop the application that caused the tool to become overloaded. Then turn the tool on to restart.

If the tool does not start, the battery is overheated. In this situation, let the battery cool before turning the tool on again.

Low battery voltage:

The remaining battery capacity is too low and the tool will not operate. In this situation, remove and recharge the battery.

Indicating the remaining battery capacity

Press the check button on the battery cartridge to indicate the remaining battery capacity. The indicator lamps light up for a few seconds.

► Fig.3: 1. Indicator lamps 2. Check button

Indicator lamps			Remaining capacity
Lighted	Off	Blinking	
■ ■ ■ ■			75% to 100%
■ ■ ■ □			50% to 75%
■ ■ □ □			25% to 50%
■ □ □ □			0% to 25%
▣ □ □ □			Charge the battery.
■ ■ □ □			The battery may have malfunctioned.
□ □ ■ ■			

NOTE: Depending on the conditions of use and the ambient temperature, the indication may differ slightly from the actual capacity.

NOTE: The first (far left) indicator lamp will blink when the battery protection system works.

Switch action

► Fig.4: 1. Suction power change button 2. ON/OFF button

To start the cleaner, simply push the ON/OFF button. To switch off, push the ON/OFF button again.

You can change the suction power of the cleaner in four steps by pushing the suction power change button. Each push on this button repeats the Quiet/Normal/High/Max mode in a cycle.

Level	Indication	Mode
1	☰	Quiet mode
2	☷	Normal speed mode
3	☶	High speed mode
4	☵	Max speed mode

NOTE: You can change the suction power before turning on the cleaner.

NOTE: The cleaner starts the operation with the same suction power as the last operation.

Lighting up the lamp

CAUTION: Do not look in the light or see the source of light directly.

To turn on the lamp, push the suction power change button. The lamp goes off in approximately 10 seconds. While the cleaner is running, the lamp turns on. The lamp goes out approximately 10 seconds after stopping operation.

NOTE: When the remaining battery capacity gets low, the lamp starts blinking. The timing, at which the lamp starts blinking depends on the temperature at work place and the battery cartridge conditions.

► **Fig.5:** 1. Suction power change button 2. ON/OFF button 3. Lamp

ASSEMBLY

CAUTION: Always be sure that the tool is switched off and the battery cartridge is removed before carrying out any work on the tool.

Parts description

Optional accessory

High performance filter and stay and sponge filter

► **Fig.6:** 1. Capsule 2. High performance filter 3. Stay and sponge filter

Prefilter or high performance filter and HEPA filter

► **Fig.7:** 1. Capsule 2. Prefilter 3. High performance filter 4. HEPA filter

NOTICE: Do not use the high performance filter with the filter (optional accessory). The high performance filter may become unremovable from the cleaner.

NOTE: When using the optional prefilter and filter with the HEPA filter, use only the prefilter over the HEPA filter. If you use prefilter and filter with the HEPA filter at the same time, the suction power may be reduced.

NOTE: When using the HEPA filter with the high performance filter, use the high performance filter with the stay.

► **Fig.8:** 1. Stay

Disposing of dust

CAUTION: Empty the cleaner before it becomes too full, or the suction force weakens.

CAUTION: Be sure to empty the inside of the cleaner itself of dust. Failure to do so may cause the filter to be clogged or the motor to be damaged.

In order to drop dust sticking on the filter in the capsule, tap the capsule 4 or 5 times with your hand.

► **Fig.9:** 1. Capsule 2. Suction inlet

Point suction inlet downwards, turn capsule in direction of arrow in diagram, and disconnect capsule slowly and straight.

► **Fig.10:** 1. Capsule 2. Suction inlet

NOTE: Dust may spill out when capsule is opened, so be sure to set a garbage bag beneath capsule.

Remove accumulated dust from the inside of capsule and high performance filter.

► **Fig.11:** 1. Capsule 2. High performance filter

Twist high performance filter in direction of arrow to unfasten securing lip from cleaner unit and then pull off the filter.

► **Fig.12:** 1. Securing lip

NOTE: When using the prefilter, also follow the procedure above.

Clean out the fine dust and lightly tap to dislodge dust from high performance filter.

Reassembly

Connect high performance filter. At this time, make sure to twist high performance filter so that securing lip is firmly locked into the cleaner unit.

► **Fig.13:** 1. High performance filter

► **Fig.14:** 1. Securing lip

NOTICE: Always be sure to check that high performance filter is loaded correctly prior to using cleaner. If they are not loaded correctly, dust will get into the motor housing, and cause motor failure. If the problem as described later occurs, high performance filter is not loaded correctly. Reload them correctly to rectify problem.

Attach the capsule. Align the mark on capsule with the mark on the handle and then firmly twist capsule in the direction of arrow until it is secured.

► **Fig.15:** 1. Mark 2. Handle 3. Capsule

NOTE: Always remove dust ahead of time, as suction power will be reduced if there is too much dust in cleaner.

Problem Example

The securing lip of high performance filter is not firmly locked into groove of cleaner housing.

► **Fig.16:** 1. Securing lip 2. Groove of cleaner housing

Installing or removing stay / HEPA filter

Optional accessory

For the stay and sponge filter

To remove the stay, push up the bottom part of pillars of the stay with your fingers and release its groove from the protrusion on the cleaner. After that, remove the sponge filter.

► **Fig.17:** 1. Stay 2. Sponge filter

To install, align the grooves on the stay with the protrusion on the cleaner and push until it clicks.

Insert the sponge filter between the pillars and set it in the original position.

For the HEPA filter

When installing the HEPA filter, fit the groove of the HEPA filter with the protrusion on the cleaner. Then, put the prefilter or the high performance filter on the HEPA filter and twist it to secure. To remove, follow the installation procedure in reverse.

► **Fig.18:** 1. HEPA filter 2. Prefilter

► **Fig.19:** 1. HEPA filter 2. High performance filter

OPERATION

CAUTION: Do not move your face close to the air vent when operating the cleaner. If foreign objects are blown into eyes, it may result in personal injury.

Installing or removing the cleaner attachment

CAUTION: After installing attachment, check if it is securely installed. If the attachment is installed imperfectly, it may come off and cause personal injury.

CAUTION: Be careful not to hit your hand on the wall etc. when removing the attachment.

When using attachment with lock function

To install attachment, insert it to the suction inlet of the cleaner until it clicks. Make sure that the attachment is locked.

► **Fig.20:** 1. Suction inlet 2. Attachment with lock function 3. Hook

NOTE: When installing the attachment with lock function, be sure to align the release button with the hook on the attachment. If they are not aligned, the wand will not be locked and may come off from the cleaner.

To remove, pull the attachment while pushing the release button.

► **Fig.21:** 1. Release button 2. Attachment with lock function

When using attachment without lock function

CAUTION: To connect attachment without lock function, twist and insert it in direction of the arrow to secure the connection during use. To disconnect the attachment, twist and extract it also in direction of the arrow. If the attachment is twisted in the opposite direction, the capsule may become loose.

► **Fig.22**

Cleaning (Suction)

Nozzle

Attach the nozzle to clean off tables, desks, furniture, etc. The nozzle slips on easily.

► **Fig.23:** 1. Nozzle

Nozzle + Extension wand (Straight pipe)

The extension wand fits in between the nozzle and the cleaner itself. This arrangement is convenient for cleaning a floor in a standing position.

► **Fig.24:** 1. Cleaner body 2. Extension wand
3. Nozzle

Corner nozzle

Fit on the corner nozzle for cleaning corners and crevices of a car or furniture.

► **Fig.25:** 1. Corner nozzle 2. Cleaner body

You can store the corner nozzle in the nozzle holder.

► **Fig.26:** 1. Nozzle holder 2. Corner nozzle

CAUTION: Be careful not to trap finger(s) between the corner nozzle and the nozzle holder. Trapping finger(s) may cause injury.

Corner nozzle + Extension wand (Straight pipe)

In tight quarters where the cleaner itself cannot squeeze in, or in high places hard to reach, use this arrangement.

► **Fig.27:** 1. Corner nozzle 2. Extension wand
3. Cleaner body

Cleaning without nozzle

You can pick up powder and dust without nozzle.

► **Fig.28**

For picking up dust on a floor in a standing position, it is convenient to attach the extension wand to the cleaner.

► **Fig.29:** 1. Extension wand

MAINTENANCE

⚠ CAUTION: Always be sure that the tool is switched off and the battery cartridge is removed before attempting to perform inspection or maintenance.

To maintain product SAFETY and RELIABILITY, repairs, any other maintenance or adjustment should be performed by Makita Authorized or Factory Service Centers, always using Makita replacement parts.

After use

⚠ CAUTION: Putting the cleaner against the wall without any other support may cause the cleaner to fall down, resulting in personal injury or damage to the cleaner.

► Fig.30

Cleaning

NOTICE: Never use gasoline, benzene, thinner, alcohol or the like. Discoloration, deformation or cracks may result.

NOTICE: Do not blow dust sticking on the cleaner and filters by air duster. It brings dust into the housing and causes failure.

NOTICE: After washing filters, dry them thoroughly before use. Insufficiently dried filters may cause poor suction and shorten the service life of the motor.

NOTICE: After cleaning filters and sponge filter, be sure to re-install them before use. If you use the cleaner without filters and sponge filter, dust comes into the motor housing and cause malfunction.

Cleaner body

From time to time wipe off the outside (cleaner body) of the cleaner using a cloth dampened in soapy water. Clean out also the suction opening and filter mounting area.

► Fig.31

High performance filter

Wash the filter in soapy water when it is clogged with dust and the cleaner power becomes weak. Dry it out thoroughly before use.

► Fig.32

HEPA filter

Optional accessory

NOTICE: Do not rub or scratch the HEPA filter with hard objects such as a brush and a paddle.

Clogged HEPA filter cause poor suction performance. Clean out the filter from time to time.

Occasionally wash the HEPA filter in water, rinse and dry thoroughly in the shade before use. Never wash the filter in a washing machine.

► Fig.33

Sponge filter

When the sponge filter becomes dirty, clean it as follows.

1. Remove the filter.
2. Pull out the sponge filter from between the pillars.
3. Clean the sponge filter by tapping or washing. If you wash it, dry it out thoroughly before use.
4. Insert the sponge filter between the pillars and set it in the original position. Make sure that each bottom edge of the pillar holds down the sponge filter, and there is no gap between the sponge filter and suction opening.

► Fig.34: 1. Sponge filter 2. Bottom edge of pillar

Wall mount for cordless cleaner

Optional accessory

NOTE: The screw to mount the holder is not included. Prepare a screw which fits with the material to screw into.

Attach the wall mount for cordless cleaner to a hard wooden wall, beam or column, where the wall mount for cordless cleaner can be firmly secured. Always be sure that the wall mount for cordless cleaner is securely attached before hanging the cleaner.

► Fig.35: 1. Wall mount for cordless cleaner

⚠ CAUTION: Do not hang the cleaner to the wall mount violently or hang other appliances than the cleaner.

Troubleshooting

Before asking for repairs, check the following points.

Symptom	Area to be investigated	Fixing method
Weak suction power	Is the capsule full of dust?	Empty the capsule of dust.
	Is the filter clogged?	Clean or wash the filter.
	Is the battery cartridge discharged?	Charge the battery cartridge.
Not working	Is the battery cartridge discharged?	Charge the battery cartridge.
Noise and vibration	Is the filter clogged?	Clean or wash the filter.
	Is the nozzle, pipe or suction inlet of the appliance is clogged?	Remove the clogged objects in the nozzle, pipe or suction inlet of the appliance.
	Is the nozzle/pipe inlet blocked?	Do not block the nozzle/pipe inlet.

⚠ CAUTION: Do not attempt to repair the cleaner by yourself.

OPTIONAL ACCESSORIES

⚠ CAUTION: These accessories or attachments are recommended for use with your Makita tool specified in this manual. The use of any other accessories or attachments might present a risk of injury to persons. Only use accessory or attachment for its stated purpose.

If you need any assistance for more details regarding these accessories, ask your local Makita Service Center.

- Extension wand (Straight pipe)
- Nozzle
- Nozzle for carpet
- Shelf brush
- Corner nozzle
- Round brush
- Flexible hose
- Filter
- Prefilter
- High performance filter
- HEPA filter
- Free nozzle
- Seat nozzle
- Crevice nozzle
- Wall mount for cordless cleaner
- Cyclone attachment
- Tool bag
- Makita genuine battery and charger

NOTE: Some items in the list may be included in the tool package as standard accessories. They may differ from country to country.

Cyclone attachment

- **Fig.36:** 1. Release button 2. Hook 3. Straight pipe
4. Cyclone attachment 5. Suction inlet

About the cyclone attachment

Using the cleaner with the cyclone attachment installed reduces the amount of dust that enters the capsule, which helps to prevent the suction force from weakening. In addition, cleaning after use is also simple.

⚠ CAUTION: Always be sure that the tool is switched off and the battery cartridge is removed before carrying out any work on the tool. If the battery cartridge is left inserted, the cleaner may start unexpectedly and result in injury.

⚠ CAUTION: Clean the mesh filter of the cyclone attachment and the filters of the cleaner unit when they become clogged. Continued use in the clogged condition may result in heating or smoke.

NOTICE: When the cyclone attachment is attached, do not use the cleaner in a horizontal or upward facing position. Doing so may cause the mesh filter to become clogged.

NOTICE: Always use the cleaner with the filters installed, even when using the cyclone attachment. Using the cleaner without the filters installed may result in a motor malfunction.

NOTE: Check that the cyclone attachment, cleaner, and straight pipe are locked properly before use.

NOTE: Empty the dust case of the cyclone attachment and the capsule of the cleaner when dust has accumulated. Continued use will result in weakened suction force.

NOTE: You can also use the cyclone attachment without lock function.

NOTE: To install or remove the cyclone attachment, refer to the section "Installing or removing the cleaner attachment".

Disposing of dust

When dust has accumulated up to the full line of the dust case, follow the procedure below and dispose of the dust.

1. Hold the dust case firmly, press and hold the two buttons, and remove the dust case.

► **Fig.37:** 1. Full line 2. Dust case 3. Button (two locations) 4. Mesh filter

2. Dispose of the dust inside the dust case and remove any dust and powder adhered to the surface of the mesh filter.

3. Insert the dust case all the way until the two buttons lock with a click.

► **Fig.38:** 1. Dust case 2. Button (two locations)

NOTE: Check that the cyclone attachment, cleaner, and straight pipe are locked properly before restarting operation.

NOTE: If the suction force does not recover even after disposing of the dust and cleaning the mesh filter, check whether dust has accumulated in the capsule of the cleaner or clogging has occurred.

NOTE: The dust may fly up when disposing from the cyclone attachment. Be careful not to let dust get into your eyes.

Cleaning

When the dust case becomes dirty or the mesh filter is clogged, remove and wash them with water. (Refer to "Disposing of dust" for the removal procedure.)

Dry the parts thoroughly before reinstallation and use.

► **Fig.39:** 1. Dust case 2. Mesh filter

When the mesh filter gets dirty badly, clean it in the following procedures.

1. Turn the mesh filter counterclockwise and remove it while the hooks are unlocked.

► **Fig.40:** 1. Mesh filter 2. Hook

2. Remove the dust on the mesh filter and then wash it with water. After that, dry it thoroughly.

3. Insert the mesh filter into the base while the hooks are aligned with the port. Turn the mesh filter clockwise until the hooks are locked with a click. Make sure that the mesh filter is installed securely.

► **Fig.41:** 1. Mesh filter 2. Hook 3. Port

VARNING

- Denna apparat kan användas av barn från 8 års ålder och äldre samt personer med nedsatt fysisk, sensorisk eller mental kapacitet eller brist på erfarenhet och kunskap förutsatt att de har fått handledning eller instruktioner om hur apparaten används på rätt sätt och förstår riskerna som det medför.
- Barn ska inte leka med apparaten. Rengöring och användarunderhåll ska inte utföras av barn utan tillsyn.
- Se batteriets typpreferens i kapitlet "SPECIFIKATIONER".
- Se i avsnittet "Montera eller demontera batterikassetten" hur du tar bort eller installerar batteriet.
- När batterikassetten ska kasseras måste den tas bort från verktyget och kasseras på ett säkert sätt. Följ lokala föreskrifter beträffande avfallshantering av batteriet.
- Om verktyget inte används under en lång tid måste batteriet tas bort från verktyget.
- Kortslut inte batterikassetten.
- Se uppgifter om lämpliga försiktighetsåtgärder vid användarunderhåll i kapitlet "UNDERHÅLL".

SPECIFIKATIONER

Modell:		CL001G
Kapacitet		730 mL
Kontinuerlig användning (med batteri BL4025)	1 (tyst läge)	ca 80 min
	2 (normalt hastighetsläge)	ca 40 min
	3 (höghastighetsläge)	ca 25 min
	4 (maxhastighetsläge)	ca 16 min
Total längd (med batteri BL4025)		1 066 mm
Märkspänning		36 V - 40 V likström max
Nettovikt		1,7 - 2,3 kg

- På grund av vårt pågående program för forskning och utveckling kan dessa specifikationer ändras utan föregående meddelande.
- Specifikationer kan variera mellan olika länder.
- Vikten inkluderar inte tillbehör men batterikasset(er). Den lättaste och tyngsta viktcombinationen för maskin och batterikasset(er) visas i tabellen.

Tillgänglig batterikasset och laddare

Batterikasset	BL4020* / BL4025* / BL4040* / BL4050F * : Rekommenderat batteri
Laddare	DC40RA / DC40RB / DC40RC

- Vissa av batterikassetterna och laddarna på listan ovan kanske inte finns tillgängliga i din region.

⚠ VARNING: Använd endast batterikassetter och laddare från listan ovan. Användning av andra batterikassetter och laddare kan orsaka personskada och/eller brand.

Symboler

Följande visar symbolerna som kan användas för utrustningen. Se till att du förstår innebörden innan användning.



Läs igenom bruksanvisningen.



Gäller endast inom EU
P.g.a. förekomsten av farliga komponenter i utrustningen kan avfall innehållande elektrisk och elektronisk utrustning, ackumulatörer och batterier ha negativ inverkan på miljön och människors hälsa.
Kassera inte elektriska och elektroniska apparater eller batterier ihop med hushållsavfall!
I enlighet med EU-direktiven om avfall som utgörs av eller innehåller elektrisk och elektronisk utrustning och om batterier och ackumulatörer och förbrukade batterier och ackumulatörer, och dess införlivande i nationell lagstiftning, bör förbrukad elektrisk och elektronisk utrustning, batterier och ackumulatörer förvaras separat och transporteras till en särskild uppsamlingsplats för kommunalt avfall, som drivs i enlighet med regelverket för miljöskydd. Detta anges av symbolen med den överkryssade soptunnan på hjul som sitter på utrustningen.

Avsedd användning

Det här redskapet är avsett för insamling av torrt damm.

SÄKERHETSVARNINGAR

Säkerhetsvarningar för sladdlös dammsugare

⚠ VARNING: VIKTIGT! LÄS NOGGRANT igenom alla säkerhetsvarningar och anvisningar FÖRE ANVÄNDNING. Underlåtenhet att följa varningar och instruktioner kan leda till elstöt, brand och/eller allvarliga personskador.

1. **Utsätt inte för regn. Förvara maskinen inomhus.**
2. **Tillåt inte att den används som en leksak. Stor uppmärksamhet är nödvändigt när den används i barns närhet.**
3. **Använd den endast enligt beskrivningen i bruksanvisningen. Använd endast tillverkarens rekommenderade tillsatser.**
4. **Använd inte maskinen med ett skadat batteri. Om maskinen inte arbetar som den ska, har tappats i marken, skadats, lämnats utomhus eller hamnat i vatten ska den skickas till servicecentret.**
5. **Var inte blöt om händerna när du handskas med maskinen.**
6. **Placera inte något föremål i öppningarna. Använd inte dammsugaren om någon av öppningarna är blockerade och håll den ren från damm, trådar, hår samt allt som kan minska luftflödet.**

7. **Håll hår, löst sittande kläder, fingrar och alla kroppsdelar bort från öppningar och rörliga delar.**
8. **Stäng av alla kontroller innan batteriet tas bort.**
9. **Var extra försiktig vid rengöring av trappor.**
10. **Använd inte maskinen för att plocka upp brännbara eller lättantändliga vätskor, såsom bensin, eller använd inte maskinen på platser där sådana vätskor förvaras.**
11. **Använd endast den laddare som tillverkaren har skickat med för att ladda batteriet.**
12. **Plocka inte upp något som brinner eller glöder, såsom cigaretter, tändstickor eller glödande aska.**
13. **Använd inte utan dammpåse och/eller filtren monterade på plats.**
14. **Ladda inte batteriet utomhus.**
15. **Ladda endast med den batteriladdare som angetts av tillverkaren.** En laddare som passar en viss typ av batterier kan skapa risk för brand när den används tillsammans med annat batteri.
16. **Använd endast apparater med specifikt angivna batteripaket.** Om andra batterier används kan risken för personskada och brand öka.
17. **När batteriet inte används bör det hållas borta från andra metallföremål så som gem, mynt, nycklar, spik, skruv eller andra små metallföremål som kan skapa en anslutning mellan batteripolerna.**
18. **Under hårda förhållande kan det komma vätska ur batteriet. Undvik kontakt. Spola med vatten om kontakt ändå råkar uppstå.**
19. **Använd inte ett batteripaket eller en apparat som har skadats eller ändrats.** Skadade eller ändrade batterier kan uppföra sig opålitligt, vilket kan leda till brand, explosion eller skaderisk.
20. **Utsätt inte ett batteripaket eller en apparat för brand eller höga temperaturer.** Exponering för eld eller temperaturer över 130 °C kan leda till explosion.
21. **Följ alla laddningsinstruktioner och ladda inte batteripaketet eller apparaten utanför det temperaturintervall som anges i instruktionerna.** Felaktig laddning, eller vid temperaturer utanför det angivna intervallet, kan skada batteriet och öka risken för brand.

SPARA DESSA SVARSVARNINGAR.

YTTERLIGARE SÄKERHETSVARNINGAR

Denna maskin är avsedd för att användas i hushåll.

1. **Läs denna bruksanvisning och laddarens bruksanvisning noggrant innan du använder dammsugaren.**
2. **Plocka inte upp följande material:**
 - Varmt material som tända cigaretter eller gnist-/metalldamm som skapas när man slipar/sågar i metall
 - Lättantändliga material som bensin, thinner, fotogen eller färg
 - Explosivt material som nitroglycerin

- Antändbart material såsom aluminium, zink, magnesium, titan, fosfor eller celluloid
 - Blöt smuts, vatten, olja eller liknande
 - Hårda bitar med vassa kanter som träflisor, metaller, stenar, glas, spikar, stift eller rakblad
 - Pulver som klumpar ihop sig såsom cement eller toner
 - Ledande damm som metall eller kol
 - Fina korn som betongdamm
- Att göra detta kan orsaka brand, skada och/eller skada på egendom.
3. Stanna maskinen omedelbart om du lägger märke till något onormalt.
 4. Om du tappat eller stött till dammsugaren, kontrollera att den inte har skadats innan du använder den.
 5. Använd inte dammsugaren nära kaminer eller andra värmekällor.
 6. Blockera inte intagshålet eller ventilationshålen.

SPARA DESSA ANVISNINGAR.

Viktiga säkerhetsanvisningar för batterikassetten

1. Innan batterikassetten används ska alla instruktioner och varningsmärken på (1) batteriladdaren, (2) batteriet och (3) produkten läsas.
2. Montera inte isär eller mixtra med batterikassetten. Det kan leda till brand, överdriven värme eller explosion.
3. Om drifttiden blivit avsevärt kortare ska användningen avbrytas omedelbart. Det kan uppstå överhettning, brännskador och t o m en explosion.
4. Om du får elektrolyt i ögonen ska de sköljas med rent vatten och läkare uppsöks omedelbart. Det finns risk för att synen förloras.
5. Kortslut inte batterikassetten.
 - (1) Rör inte vid polerna med något strömförande material.
 - (2) Undvik att förvara batterikassetten tillsammans med andra metallobjekt som t.ex. spikar, mynt o.s.v.
 - (3) Skydda batteriet mot vatten och regn. En batterikortslutning kan orsaka ett stort strömflöde, överhettning, brand och maskinhaveri.
6. Förvara och använd inte verktyget och batterikassetten på platser där temperaturen kan nå eller överstiga 50 °C.
7. Bränn inte upp batterikassetten även om den är svårt skadad eller helt utsliten. Batterikassetten kan explodera i öppen eld.
8. Spika inte i, krossa, kasta, tappa eller slå batterikassetten mot hårda föremål. Dylåka händelser kan leda till brand, överdriven värme eller explosion.
9. Använd inte ett skadat batteri.

10. De medföljande litiumjonbatterierna är föremål för kraven i gällande lagstiftning för farligt gods. För kommersiella transporter (av t.ex. tredje parter som speditönsfirmor) måste de särskilda transportkrav som anges på emballaget och etiketter iakttagas. För att förbereda den produkt som ska avsäändas krävs att du konsulterar en expert på riskmaterial. Var också uppmärksam på att det i ditt land kan finnas ytterligare föreskrifter att följa. Tejpa över eller maskera blottade kontakter och packa batteriet på sådant sätt att det inte kan röra sig fritt i förpackningen.
11. När batterikassetten ska kasseras måste den tas bort från maskinen och kasseras på ett säkert sätt. Följ lokala föreskrifter beträffande avfallshandtering av batteriet.
12. Använd endast batterierna med de produkter som specificerats av Makita. Att använda batterierna med ej godkända produkter kan leda till brand, överdriven värme, explosion eller utläckande elektrolyt.
13. Om maskinen inte används under en lång tid måste batteriet tas bort från maskinen.
14. Under och efter användning kan batterikassetten bli het vilket kan orsaka brännskador eller lättare brännskador. Var uppmärksam på hur du hanterar varma batterikassetter.
15. Vidrör inte verktygets kontakter direkt efter användning eftersom de kan bli heta och orsaka brännskador.
16. Låt inte flisor, damm eller smuts fastna i kontakterna, i hål eller spår i batterikassetten. Det kan leda till att verktyget eller batterikassetten värms upp, fattar eld, går sönder eller inte fungerar som de ska, vilket kan orsaka brännskador eller personskador.
17. Såvida inte verktyget stöder arbeten i närheten av högspänningsledning får batterikassetten inte användas i närheten av en högspänningsledning. Det kan leda till att verktyget eller batterikassetten går sönder eller inte fungerar korrekt.
18. Förvara batteriet utom räckhåll för barn.

SPARA DESSA ANVISNINGAR.

⚠ FÖRSIKTIGT: Använda endast äkta Makita-batterier. Användning av oäkta Makita-batterier eller batterier som har manipulerats kan leda till person- och utrustningsskador eller till att batteriet fattar eld. Det upphäver också Makitas garanti för verktyget och laddaren.

Tips för att uppnå batteriets maximala livslängd

1. Ladda batterikassetten innan den är helt urladdad. Stanna alltid maskinen och ladda batterikassetten när du märker att maskinen blir svagare.
2. Ladda aldrig en fulladdad batterikasset. Överladdning förkortar batteriets livslängd.
3. Ladda batterikassetten vid en rumstemperatur på 10 °C - 40 °C. Låt en varm batterikasset svalna innan den laddas.
4. När batterikassetten inte används ska den tas bort från verktyget eller laddaren.
5. Ladda batterikassetten om du inte har använt den på länge (mer än sex månader).

FUNKTIONSBESKRIVNING

⚠ FÖRSIKTIGT: Se alltid till att maskinen är avstängd och batterikassetten borttagen innan du justerar maskinen eller kontrollerar dess funktioner.

⚠ FÖRSIKTIGT: Var försiktig så att du inte fastnar med fingret/fingrarna mellan dammsugaren och batteriet, såsom visas på bilden, när batteriet ska laddas. Det kan orsaka skada.

► Fig.1

Montera eller demontera batterikassetten

⚠ FÖRSIKTIGT: Stäng alltid av maskinen innan du monterar eller tar bort batterikassetten.

⚠ FÖRSIKTIGT: Håll stadigt i maskinen och batterikassetten när du monterar eller tar bort batterikassetten. I annat fall kan det leda till att de glider ur dina händer och orsakar skada på maskinen och batterikassetten samt personskada.

► Fig.2: 1. Röd indikator 2. Knapp 3. Batterikasset

Ta bort batterikassetten genom att skjuta ner knappen på kassetts framsida samtidigt som du drar ut batterikassetten.

Sätt i batterikassetten genom att rikta in tungan på batterikassetten mot spåret i hölet och skjut den på plats. Tryck in batterikassetten ordentligt tills den låser fast med ett klick. Om du kan se den röda indikatorn som bilden visar är den inte låst ordentligt.

⚠ FÖRSIKTIGT: Sätt alltid i batterikassetten helt tills den röda indikatorn inte längre syns. I annat fall kan den oövat fallt ur verktyget och skada dig eller någon annan.

⚠ FÖRSIKTIGT: Montera inte batterikassetten med våld. Om kassetten inte lätt glider på plats är den felinställt.

Skyddssystem för batteri

Maskinen är utrustad med ett skyddssystem för maskinen-/batteriet. Detta system bryter automatiskt strömmen till motorn för att förlänga maskinens och batteriets livslängd. Maskinen stoppar automatiskt under användningen om maskinen eller batteriet hamnar i en av följande situationer.

Överbelastning:

Verktyget/batteriet används på ett sätt som gör att det förbrukar onormalt mycket ström.

När detta sker stänger du av maskinen och upphör med arbetet som gjorde att maskinen överbelastades. Starta därefter upp maskinen igen.

Om maskinen inte startar är batteriet överhettat. Låt då batteriet svalna innan du startar maskinen igen.

Batterispänningen faller:

Den kvarvarande batterikapaciteten är för låg och maskinen fungerar inte. I detta läge tar du bort batteriet och laddar det.

Indikerar kvarvarande batterikapacitet

Tryck på kontrollknappen på batterikassetten för att se kvarvarande batterikapacitet. Indikatorlamporna lyser i ett par sekunder.

► Fig.3: 1. Indikatorlampor 2. Kontrollknapp

Indikatorlampor			Kvarvarande kapacitet
Upplyst	Av	Blinkar	
■ ■ ■ ■	□ □ □ □	□ □ □ □	75% till 100%
■ ■ ■ □	□ □ □ □	□ □ □ □	50% till 75%
■ ■ □ □	□ □ □ □	□ □ □ □	25% till 50%
■ □ □ □	□ □ □ □	□ □ □ □	0% till 25%
■ □ □ □	□ □ □ □	□ □ □ □	Ladda batteriet.
■ □ □ □	□ □ □ □	□ □ □ □	Batteriet kan ha skadats.
□ □ □ □	□ □ □ □	■ ■ ■ ■	

OBS: Beroende på användningsförhållanden och den omgivande temperaturen kan indikationen skilja sig lätt från den faktiska batterikapaciteten.

OBS: Den första (längst till vänster) indikatorlampan kommer att blinka när batteriskyddssystemet fungerar.

Avtryckarens funktion

► Fig.4: 1. Ändringsknapp för sugkraft 2. ON/OFF (på/av)-knapp

Tryck bara på knappen ON/OFF (på/av) för att starta dammsugaren. Stäng av genom att trycka på knappen ON/OFF (på/av) igen.

Du kan ändra dammsugarens sugkraft i fyra steg genom att trycka på ändringsknappen för sugkraft. Varje tryckning på den knappen ändrar till lägena tyst/ normalt/högt/max i en cykel.

Nivå	Indikation	Läge
1	☰	Tyst läge
2	☷	Normalt hastighetsläge
3	☶	Höghastighetsläge
4	☵	Maxhastighetsläge

OBS: Du kan ändra sugkraften innan du sätter på dammsugaren.

OBS: Dammsugaren börjar arbeta med samma sugkraft som vid den senaste körningen.

Tända lampan

⚠ FÖRSIKTIGT: Titta inte in i ljuset eller direkt i ljuskällan.

Tryck på ändringsknappen för sugkraft för att tända lampan. Lampan slocknar på ca 10 sekunder. Medan dammsugaren är igång är lampan tänd. Lampan slocknar ca 10 sekunder efter att körningen stoppats.

OBS: När den kvarvarande batterikapaciteten blir låg blinkar lampan. När lampan börjar blinka beror på temperaturen vid arbetsplatsen och på batterikassetens skick.

► **Fig.5:** 1. Ändringsknapp för sugkraft 2. ON/OFF (på/av)-knapp 3. Lampa

MONTERING

⚠ FÖRSIKTIGT: Se alltid till att maskinen är avstängd och batterikassetten borttagen innan du underhåller maskinen.

Beskrivning av delar

Valfria tillbehör

Högprestandafiltrering och stötta och svampfilter

► **Fig.6:** 1. Behållare 2. Högprestandafiltrering 3. Stötta och svampfilter

Förfilter eller högprestandafiltrering och HEPA-filtrering

► **Fig.7:** 1. Behållare 2. Förfilter 3. Högprestandafiltrering 4. HEPA-filtrering

OBSERVERA: Använd inte högprestandafiltrering med filter (valfritt tillbehör). Högprestandafiltrering kan bli omöjligt att ta bort från dammsugaren.

OBS: När det valfria förfilter och filter används med HEPA-filtrering, använd då bara förfilter över HEPA-filtrering. Om du använder förfilter och filter med HEPA-filtrering på samma gång, kan sugkraften minska.

OBS: När HEPA-filtrering används med högprestandafiltrering, använd då högprestandafiltrering med stötta.

► **Fig.8:** 1. Stötta

Borttagning av damm

⚠ FÖRSIKTIGT: Töm dammsugaren innan den blir för full, annars försvagas sugstyrkan.

⚠ FÖRSIKTIGT: Se till att tömma dammsugarens insida från damm. I annat fall kan filtret bli igensatt eller motorn skadas.

Knacka på behållaren 4 till 5 gånger med handen så att damm som fastnat i filtret lossnar.

► **Fig.9:** 1. Behållare 2. Sugöppning

Placera sugöppningen nedåt och vrid behållaren i pilens riktning, såsom visas i bilden, och ta loss den sakta och rakt.

► **Fig.10:** 1. Behållare 2. Sugöppning

OBS: När behållaren öppnas kan damm falla ut, så placera en sopåse under behållaren.

Ta bort ansamlad damm från insidan av behållaren och högprestandafiltrering.

► **Fig.11:** 1. Behållare 2. Högprestandafiltrering

Vrid högprestandafiltrering i pilens riktning för att lossa fästkanten från dammsugarenheten och dra sedan av filtret.

► **Fig.12:** 1. Fästkant

OBS: När förfiltret används, följ också proceduren ovan.

Rensa bort findammet och knacka lätt för att lossa damm från högprestandafiltrering.

Återmontering

Anslut högprestandafiltrering. Se nu till att högprestandafiltrering vrids på så att fästkanten låser fast ordentligt på dammsugarenheten.

► **Fig.13:** 1. Högprestandafiltrering

► **Fig.14:** 1. Fästkant

OBSERVERA: Kontrollera alltid att högprestandafiltrering är korrekt anslutet innan dammsugaren används. Om så inte är fallet kommer damm att tränga in i motorhuset och orsaka motorstopp. Om problemet som beskrivs senare inträffar är inte högprestandafiltrering korrekt anslutet. Anslut dem rätt för att korrigera problemet.

Sätt fast behållaren. Rikta in markeringen på behållaren med markeringen på handtaget och vrid sedan behållaren stadigt i pilens riktning tills den fäster.

► **Fig.15:** 1. Märke 2. Handtag 3. Behållare

OBS: Ta alltid bort damm i god tid eftersom sugförmågan kommer att minska om det finns för mycket damm i dammsugaren.

Problemexempel

Högprestandafiltreringens fästkant är inte ordentligt fastsatt i spåret på dammsugarhuset.

► **Fig.16:** 1. Fästkant 2. Spår på dammsugarhuset

Installera eller ta bort stötta/HEPA-filtrering

Valfria tillbehör

För stötta och svampfilter

För att ta bort stötta trycker du upp den undre delen av pelarna på stötta med fingrarna och lossar dess spår från den utskjutande delen på dammsugaren. Ta sedan bort svampfiltret.

► **Fig.17:** 1. Stötta 2. Svampfilter

Installera genom att rikta in spåren på stötta med den utskjutande delen på dammsugaren och trycka tills det klickar. För in svampfiltret mellan pelarna och sätt tillbaka det i sin ursprungliga position.

För HEPA-filtret

När HEPA-filtret installeras, passa in spåret på HEPA-filtret med den utskjutande delen på dammsugaren. Sätt sedan förfiltret eller högprestandafiltret på HEPA-filtret och vrid för att fästa. Ta bort enom att följa installationsproceduren i omvänd ordning.

► **Fig.18:** 1. HEPA-filtret 2. Förfiltret

► **Fig.19:** 1. HEPA-filtret 2. Högprestandafiltret

ANVÄNDNING

⚠ FÖRSIKTIGT: Ha inte ansiktet nära ventilationsöppningen när dammsugaren används. Om främmande föremål blåser in i ögonen kan det resultera i personskada.

Montering eller demontering av dammsugartillbehör

⚠ FÖRSIKTIGT: Kontrollera att tillbehöret sitter säkert efter att det monterats. Om tillbehöret är ofullständig monterat kan det lossna och orsaka personskada.

⚠ FÖRSIKTIGT: Var noga med att inte slå handen i väggen etc. när du tar bort tillbehöret.

När tillbehöret med låsfunktion används

Installera tillbehöret genom att sätta in det i dammsugarens sugöppning tills det klickar. Se till att tillbehöret är låst.

► **Fig.20:** 1. Sugöppning 2. Tillbehör med låsfunktion 3. Krok

OBS: Se till när du installerar tillbehöret med låsfunktion att du passar in frigöringsknappen med kroken på tillbehöret. Om de inte är inpassade med varandra blir röret inte låst och kan lossna från dammsugaren.

Ta bort genom att dra i tillbehöret samtidigt som du trycker på frigöringsknappen.

► **Fig.21:** 1. Frigöringsknapp 2. Tillbehör med låsfunktion

När tillbehöret utan låsfunktion används

⚠ FÖRSIKTIGT: För att ansluta tillbehöret utan låsfunktion vrid du det och sätter in det i pilens riktning så att det sitter säkert anslutet under användningen. För att ta bort tillbehöret vrid du och drar loss det i pilens riktning. Om tillbehöret vrids i motsatt riktning kan behållaren lossna.

► **Fig.22**

Dammsugning

Munstycke

Använd munstycket när du ska dammsuga bord, bänkar, möbler o.dyl. Munstycket skjuts på enkelt.

► **Fig.23:** 1. Munstycke

Munstycke + förlängningsrör (rakt rör)

Förlängningsröret sätts mellan munstycket och själva dammsugaren. Med detta arrangemang kan du dammsuga bekvämt i upprätt läge.

► **Fig.24:** 1. Dammsugarkropp 2. Förlängningsrör 3. Munstycke

Hörnmunstycke

Sätt på hörnmunstycket när du ska dammsuga hörn och springor i bilsäten.

► **Fig.25:** 1. Hörnmunstycke 2. Dammsugarkropp

Du kan förvara hörnmunstycket i munstyckshållaren.

► **Fig.26:** 1. Munstyckshållare 2. Hörnmunstycke

⚠ FÖRSIKTIGT: Var försiktig så du inte fastnar med fingret/fingrarna mellan hörnmunstycket och munstyckshållaren. Att klämma fingret/fingrarna kan orsaka skada.

Hörnmunstycke + förlängningsrör (rakt rör)

Använd detta arrangemang i trånga utrymmen där inte själva dammsugaren får plats eller på höga höjder som är svåra att nå.

► **Fig.27:** 1. Hörnmunstycke 2. Förlängningsrör 3. Dammsugarkropp

Dammsugning utan munstycke

Du kan suga upp pulver och damm utan att använda munstycket.

► **Fig.28**

För att få upp damm från ett golv i stående ställning är det bekvämt att fästa förlängningsröret på dammsugaren.

► **Fig.29:** 1. Förlängningsrör

UNDERHÅLL

⚠ FÖRSIKTIGT: Se alltid till att maskinen är avstängd och batterikassetten borttagen innan inspektion eller underhåll utförs.

För att upprätthålla produktens SÄKERHET och TILLFÖRLITLIGHET bör allt underhålls- och justeringsarbete utföras av ett auktoriserat Makita servicecenter och med reservdelar från Makita.

Efter användning

⚠ FÖRSIKTIGT: Om du lutar dammsugaren mot väggen utan något annat stöd kan det orsaka att dammsugaren välter, vilket kan leda till personskada eller skada på dammsugaren.

► Fig.30

Rengöring

OBSERVERA: Använd inte bensin, förtunningsmedel, alkohol eller liknande. Missfärgning, deformation eller sprickor kan uppstå.

OBSERVERA: Blås inte bort damm på dammsugaren och filter med rengöringsspray (luft). Damm kommer att tränga in i huset och orsaka stopp.

OBSERVERA: Torka filtren noga innan användning när du har tvättat dem. Filter som inte är helt torra kan orsaka dålig sugförmåga och förkorta motorns livslängd.

OBSERVERA: Se till att installera tillbaka filter och svampfilter innan användning, efter de har rengjorts. Om du använder dammsugaren utan filter och svampfilter kommer damm in i motorhuset och leder till felfunktion.

Dammsugarkropp

Torka regelbundet av dammsugarens utsida med en trasa fuktad i tvålatten.

Rengör även sugöppningen och facket för filtret.

► Fig.31

Högprestandafilter

Tvätta filtret i tvålatten när det är igensatt av damm och sugstyrkan avtagit. Torka den ordentligt innan användning.

► Fig.32

HEPA-filter

Valfria tillbehör

OBSERVERA: Skrubba inte eller skrapa på HEPA-filtret med hårda föremål som en borste eller spatel.

Igensatt HEPA-filter förorsakar dåliga sugprestanda. Rengör filtret då och då.

Tvätta HEPA-filtret då och då i vatten, skölj och torka noggrant i skuggan före användning. Tvätta aldrig filtret i tvättmaskinen.

► Fig.33

Svampfilter

Rengör svampfiltret när det blir smutsigt enligt följande.

1. Ta bort filtret.
 2. Dra ut svampfiltret mellan pelarna.
 3. Gör rent svampfiltret genom att knacka det eller tvätta det. Om du tvättar det, torka det ordentligt innan användning.
 4. För in svampfiltret mellan pelarna och sätt tillbaka det i sin ursprungliga position. Se till att varje nederkant av pelarna håller ner svampfiltret och att det inte finns något mellanrum mellan svampfiltret och sugöppningen.
- Fig.34: 1. Svampfilter 2. Pelarens nedre kant

Väggfäste för sladdlös dammsugare

Valfria tillbehör

OBS: Skruven för att montera hållaren medföljer inte. Förbered en skruv som stämmer med det material som den ska skruvas in i.

Fäst väggfäste för sladdlös dammsugare i en trävägg, regel eller pelare där väggfäste för sladdlös dammsugare kan fästas ordentligt. Se alltid till att väggfäste för sladdlös dammsugare sitter fast ordentligt innan du hänger upp dammsugaren.

► Fig.35: 1. Väggfäste för sladdlös dammsugare

⚠ FÖRSIKTIGT: Häng inte upp dammsugaren på väggfästet med våld eller häng andra apparaten än dammsugaren.

Felsökning

Kontrollera följande punkter innan du kontaktar service.

Symptom	Område att kontrollera	Åtgärdsmetod
Svag sugförmåga	Är behållaren full av damm?	Töm behållaren på damm.
	Är filtret igensatt?	Gör rent eller tvätta filtret.
	Är batterikassetten urladdad?	Ladda batterikassetten.
Fungerar inte	Är batterikassetten urladdad?	Ladda batterikassetten.
Buller och vibrationer	Är filtret igensatt?	Gör rent eller tvätta filtret.
	Är munstycket, röret eller apparatens suginlopp igensatt?	Ta bort de igensatta föremålen i apparatens munstycke, rör eller suginlopp.
	Är munstycket/rörlinloppet blockerat?	Blockera inte munstycket/rörlinloppet.

⚠ FÖRSIKTIGT: Reparera inte dammsugaren på eget bevåg.

VALFRIA TILLBEHÖR

⚠ FÖRSIKTIGT: Följande tillbehör eller tillsatser rekommenderas för användning med den **Makita-maskin som denna bruksanvisning avser.** Om andra tillbehör eller tillsatser används kan det uppstå risk för personskador. Använd endast tillbehören eller tillsatserna för de syften de är avsedda för.

Kontakta ditt lokala Makita servicecenter om du behöver ytterligare information om dessa tillbehör.

- Förlängningsrör (rakt rör)
- Munstycke
- Mattmunstycke
- Hyllborste
- Hörmunstycke
- Rund borste
- Flexibel slang
- Filter
- Förfilter
- Högprestandafilter
- HEPA-filter
- Fritt munstycke
- Sätemunstycke
- Spaltmunstycke
- Väggfäste för sladdlös dammsugare
- Cyklontillbehör
- Verktygsväska
- Makitas originalbatteri och -laddare

OBS: Några av tillbehören i listan kan vara inkluderade i maskinpaketet som standardtillbehör. De kan variera mellan olika länder.

Cyklontillbehör

- **Fig.36:** 1. Frigöringsknapp 2. Krok 3. Rakt rör
4. Cyklontillbehör 5. Sugöppning

Om cyklontillbehöret

Om dammsugaren används med cyklontillbehöret installerat minskas den mängd damm som kommer in i behållaren, vilket gör att sugkraften inte försvagas lika lätt. Det blir också enkelt att rengöra efter användning.

⚠ FÖRSIKTIGT: Se alltid till att verktyget är avstängt och batterikassetten borttagen innan du underhåller verktyget. Om batterikassetten lämnas insatt, kan dammsugaren starta oavsiktligt med skada som följd.

⚠ FÖRSIKTIGT: Rengör cyklontillbehörets nätfiltret och dammsugarenhetens filter när de blir tilltäppta. Fortsatt användning i tilltäppt tillstånd kan leda till upphettning eller rök.

OBSERVERA: När cyklontillbehöret sitter på ska inte dammsugaren användas i horisontell eller uppåtvänd ställning. Att göra detta kan få nätfiltret att bli igentäppt.

OBSERVERA: Använd alltid dammsugaren med filtren installerade, även när cyklontillbehöret används. Att använda dammsugaren utan filtren installerade kan leda till fel på motorn.

OBS: Kontrollera att cyklontillbehöret, dammsugaren och det raka röret är ordentligt låsta före användning.

OBS: Töm cyklontillbehörets dammhölje och dammsugarens behållare när det har ansamlats damm. Fortsatt användning leder till försvagad sugkraft.

OBS: Du kan också använda cyklontillbehöret utan låsfunktion.

OBS: För att installera eller ta bort cyklontillbehöret se avsnittet "Montering eller demontering av dammsugartillbehör".

Borttagning av damm

När det har ansamlats damm upp till fullt-strecket i dammhöljet, följer du proceduren nedan och kasserar dammet.

1. Håll dammhöljet ordentligt, tryck och håll in de två knapparna och ta bort dammhöljet.

► **Fig.37:** 1. Fullt-streck 2. Dammhölje 3. Knapp (två ställen) 4. Nätfiltret

2. Kasserar dammet inuti dammhöljet och ta bort allt damm och pulver som satt sig fast på ytan på nätfiltret.

3. Sätt in dammhöljet hela vägen tills de två knapparna låses med ett klick.

► **Fig.38:** 1. Dammhölje 2. Knapp (två ställen)

OBS: Kontrollera att cyklontillbehöret, dammsugaren och det raka röret är ordentligt låsta innan körningen återupptas.

OBS: Om sugkraften inte återställs ens efter att du kasserat dammet och rengjort nätfiltret, kontrollera då om det har ansamlats damm i dammsugarens behållare eller det har uppstått tilltäppning.

OBS: Dammet kan flyga upp när man tar bort det från cyklontillbehöret. Var försiktig så du inte får damm i ögonen.

Rengöring

När dammhöljet blir smutsigt eller nätfiltret blir tilltäppt tar du bort dem och tvättar av dem med vatten. (Se borttagningsproceduren i "Borttagning av damm".)

Torka av delarna noggrant före ominstallation och användning.

► **Fig.39:** 1. Dammhölje 2. Nätfiltret

När nätfiltret blir rejält smutsigt ska det rengöras genom följande procedurer.

1. Vrid nätfiltret moturs och ta bort det medan krokarna är upplåsta.

► **Fig.40:** 1. Nätfiltret 2. Krok

2. Ta bort dammet på nätfiltret och tvätta sedan av det med vatten. Torka det sedan noggrant.

3. Sätt in nätfiltret i basen medan krokarna är inpassade med porten. Vrid nätfiltret medurs till krokarna låses med ett klick. Se till att nätfiltret är säkert installerat.

► **Fig.41:** 1. Nätfiltret 2. Krok 3. Port

ADVARSEL

- Dette apparatet kan brukes av barn fra 8 år og oppover og av personer med reduserte fysiske, sensoriske eller mentale evner eller mangel på erfaring og kunnskap, såfremt de holdes under oppsyn, har blitt gitt instruksjoner om sikker bruk av apparatet og forstår farene som er involvert.
- Barn skal ikke leke med apparatet. Rengjøring og brukervedlikehold skal ikke utføres av barn uten oppsyn.
- Typereferanse for batteriet finnes i kapittelet "SPESIFIKASJONER".
- Informasjon om hvordan batteriet settes i og tas ut finnes i avsnittet "Sette inn eller ta ut batteri".
- Når batteriet skal avhendes, tar du det ut av verktøyet og kaster det på et trygt sted. Følg lokale bestemmelser for avhending av batterier.
- Hvis verktøyet ikke skal brukes på en god stund, må batteriet tas ut av verktøyet.
- Ikke kortslutt batteriet.
- Nærmere detaljer om forholdsregler under brukervedlikehold finnes i kapittelet "VEDLIKEHOLD".

TEKNISKE DATA

Modell:		CL001G
Kapasitet		730 mL
Kontinuerlig bruk (med batteri BL4025)	1 (stillemodus)	Ca. 80 min
	2 (modus for normal hastighet)	Ca. 40 min
	3 (modus for høy hastighet)	Ca. 25 min
	4 (modus for maks. hastighet)	Ca. 16 min
Total lengde (med batteri BL4025)		1 066 mm
Nominell spenning		DC 36 V - 40 V maks
Nettovekt		1,7 - 2,3 kg

- På grunn av vårt kontinuerlige forsknings- og utviklingsprogram kan spesifikasjonene som oppgis i dette dokumentet endres uten varsel.
- Spesifikasjonene kan variere fra land til land.
- Vekten omfatter ikke tilbehør, men batteri(er). Den letteste og tyngste vektkombinasjonen av innretningen og batteri(er) vises i tabellen.

Passende batteri og lader

Batteriinnsett	BL4020* / BL4025* / BL4040* / BL4050F * : Anbefalt batteri
Lader	DC40RA / DC40RB / DC40RC

- Noen av batteriene og laderne som er opplistet ovenfor er kanskje ikke tilgjengelige, avhengig av hvor du bor.

⚠ ADVARSEL: Bruk kun de batteriene og laderne som er opplistet ovenfor. Bruk av andre batterier og ladere kan føre til personskader og/eller brann.

Symboler

Nedenfor ser du symbolene som kan brukes for dette utstyret. Forviss deg om at du forstår hva de betyr, før du begynner å bruke maskinen.



Les bruksanvisningen.



Ni-MH
Li-ion

Kun for EU-land
På grunn av forekomst av farlige komponenter i utstyret, kan avfall fra elektrisk og elektronisk utstyr, akkumulatører og batterier ha en negativ innvirkning på miljøet og menneskers helse.

Ikke kast elektriske og elektroniske apparater eller batterier sammen med husholdningsavfall!

I samsvar med det europeiske direktivet om avfall fra elektrisk og elektronisk utstyr og om akkumulatører og batterier samt akkumulatører og batterier som skal kastes, samt deres tilpassing til nasjonal lovgivning, skal brukt elektrisk utstyr samt brukte batterier og akkumulatører samles inn separat og leveres til et eget innsamlingssted for kommunalt avfall, som driver virksomhet i samsvar med miljøvernforskriftene.

Dette er angis av symbolet med den overkryssede avfallsbeholderen som er plassert på utstyret.

Riktig bruk

Innretningen er laget for å samle opp tørt støv.

SIKKERHETSADVARSEL

Sikkerhetsadvarsler for trådløse støvsuger

⚠ ADVARSEL: VIKTIG. LES NØYE alle sikkerhetsadvarsler og instruksjoner FØR BRUK. Hvis du ikke følger alle advarslene og instruksjonene som er oppført nedenfor, kan det føre til elektriske støt, brann og/eller alvorlige helseskader.

1. **Må ikke utsettes for regn. Oppbevares innendørs.**
2. **Ikke bruk støvsugeren som leketøy. Vær ekstra oppmerksom når den brukes nær barn.**
3. **Bruk støvsugeren kun som beskrevet i denne håndboken. Bruk kun tilbehør som er anbefalt av produsenten.**
4. **Må ikke brukes med skadet batteri. Hvis innretningen ikke virker som den skal, er blitt mistet i bakken, ødelagt, gjenglemt utendørs eller mistet i vann, må du levere den inn til et serviceverksted.**
5. **Ikke håndter innretningen med våte hender.**
6. **Ikke putt gjenstander inn i åpningene. Ikke bruk støvsugeren hvis noen av åpningene er blokkert. Hold den fri for støv, lo, hår og annet som kan redusere luftstrømmen.**

7. **Hold hår, løstsittende klær, fingrene og alle kroppsdeler unna åpninger og bevegelige deler.**
8. **Slå av alle kontroller før du tar ut batteriet.**
9. **Vær ekstra forsiktig ved rengjøring av trapper.**
10. **Må ikke brukes til å ta opp brennbare eller eksplosive væsker som bensin, og må heller ikke brukes i områder der disse kan forekomme.**
11. **Lading må kun foregå med laderen som fulgte med fra produsenten.**
12. **Ikke plukk opp noe som brenner eller ryker, som sigaretter, fyrstikker eller varm aske.**
13. **Må ikke brukes uten at støvpose og/eller filtre er på plass.**
14. **Ikke lad batteriet utendørs.**
15. **Batteriet må kun lades opp igjen med en lader spesifisert av produsenten.** En lader som passer til én batteritype, kan være brannfarlig når den brukes med en annen batteritype.
16. **Utstyr skal kun brukes med spesifikt angitte batterier.** Bruk av andre batterier kan utgjøre en fare for personskader og brann.
17. **Når batteripakken ikke er i bruk, bør du holde den unna metallgjenstander som binders, mynter, nøkler, spiker, skruer og andre små metallgjenstander som kan skape forbindelse mellom én pol og en annen.**
18. **Hvis batteriet utsettes for hardhendt bruk, kan det lekket væske fra batteriet. Unngå kontakt med væsken. Hvis du kommer i kontakt med batterivæsken, må du skylle med vann.**
19. **Ikke bruk et batteri eller apparat som er skadet eller endret på.** Batterier som er skadet eller endret på kan oppføre seg upålitelig og medføre brann, eksplosjon eller fare for personskader.
20. **Et batteri eller apparatet må ikke utsettes for ild eller for høy temperatur.** Ild eller temperaturer på over 130 °C kan forårsake eksplosjon.
21. **Følg alle ladeinstruksjonene, og ikke lad batteriet eller apparatet utenfor temperaturområdet som er angitt i instruksjonene.** Feil lading eller lading ved temperaturer utenfor det angitte området, kan skade batteriet og øke faren for brann.

TA VARE PÅ DISSE INSTRUKSJONENE.

YTTERLIGERE SIKKERHETSREGLER

Denne innretningen er beregnet på å brukes i husholdningen.

1. **Les grundig gjennom denne bruksanvisningen og bruksanvisningen for laderen før bruk.**
2. **Ikke plukk opp følgende materialer:**
 - Varme materialer som påtente sigaretter eller gnister/metallstøv fra sliping/kutting av metall
 - Brennbare materialer som bensin, tynner, lettbensin, parafin eller maling
 - Eksplosive materialer som nitroglyserin
 - Antennelige materialer som aluminium, sink, magnesium, titan, fosfor eller celluloid

- Fuktig smuss, vann, olje eller lignende
 - Harde gjenstander med skarpe kanter som treflisser, metaller, steiner, glass, spiker, nåler eller barberblader
 - Pulver som kan stivne som sement eller toner
 - Elektrisk ledende støv fra metall eller karbon
 - Fine partikler som betongstøv
- Slike handlinger kan forårsake brann, personskader og/eller materielle skader.
3. Hvis du merker at noe er uvanlig, må du stanse arbeidet omgående.
 4. Hvis du mister støvsugeren, eller kommer til å slå borti den, må du kontrollere den grundig med tanke på sprekker eller skader for bruk.
 5. Ikke plasser innretningen nær ovner eller andre varmekilder.
 6. Ikke blokker inntaksåpningen eller ventilasjonsåpningene.

TA VARE PÅ DISSE INSTRUKSJONENE.

Viktige sikkerhetsanvisninger for batteriinnsetts

1. Før du begynner å bruke batteriet, må du lese alle anvisninger og forsiktighetsregler på (1) batteriladeren, (2) batteriet og (3) det produktet batteriet skal brukes i.
2. Ikke demonter eller tukle batteriet. Det kan føre til brann, overoppheting eller eksplosjon.
3. Hvis driftstiden er blitt vesentlig kortere, må du omgående slutte å bruke maskinen. Hvis ikke kan resultatet bli overoppheting, mulige forbrenninger eller til og med en eksplosjon.
4. Hvis du får elektrolytt i øynene, må du skylle dem med store mengder rennende vann og oppsøke lege med én gang. Denne typen uhell kan føre til varig blindhet.
5. Ikke kortslutt batteriet:
 - (1) De kan være ekstremt varme og du kan brenne deg.
 - (2) Ikke lagre batteriet i samme beholder som andre metallgjenstander, som for eksempel spiker, mynter osv.
 - (3) Ikke la batteriet komme i kontakt med vann eller regn.

En kortslutning av batteriet kan føre til et kraftig strømstøt, overoppvarming, mulige forbrenninger og til og med til at batteriet går i stykker.
6. Ikke oppbevar og bruk verktøyet og batteriet på steder hvor temperaturen kan komme opp i eller overskride 50 °C.
7. Ikke sett fyr på batteriet, ikke engang om det er sterkt skadet eller helt utslitt. Batteriet kan eksplodere hvis det begynner å brenne.
8. Du må ikke spikre, skjære, klemme, kaste eller miste batteriet, og heller ikke slå en hard gjenstand mot batteriet. En slik oppførsel kan føre til brann, overoppheting eller eksplosjon.
9. Ikke bruk batterier som er skadet.

10. Lithium-ion-batteriene som medfølger er **gjensstand for krav om spesialavfall**. For kommersiell transport, f.eks av tredjeparter eller speditorer, må spesielle krav om pakking og merking følges. Før varen blir sendt, må du forhøre deg med en ekspert på farlig materiale. Ta også hensyn til muligheten for mer detaljerte nasjonale bestemmelser. Bruk teip eller maskeringsteip for å skjule åpne kontakter og pakk inn batteriet på en slik måte at den ikke kan bevege seg rundt i emballasjen.
11. Når du kasserer batteriinnsettsen, må du ta den ut av verktøyet og avhende den på et sikkert sted. Følg lokale bestemmelser for avhending av batterier.
12. Bruk batteriene kun med produkter spesifisert av Makita. Montere batteriene i produkter som ikke er konforme kan føre til brann, overheting eller elektrolyttlekkasje.
13. Hvis verktøyet ikke skal brukes over en lengre periode, må batteriet tas ut av verktøyet.
14. Under og etter bruk kan batteriet bli varmt og før til brannskader. Vær forsiktig med håndteringen av varme batterier.
15. Ikke berører terminalen på verktøyet rett etter bruk, da den kan bli varm og forårsake brannskader.
16. Ikke la spon, støv eller jord sette seg fast i terminalene, hullene og sporene i batteriet. Det kan føre til at batteriet eller verktøyet blir overopphet, begynner å brenne, sprekker eller ikke fungerer som det skal, og forårsake brannskader eller personskade.
17. Med mindre verktøyet støtter bruk nær en høyspent strømlinje, skal ikke batteriet brukes nær en høyspent strømlinje. Det kan føre til en funksjonsfeil eller at verktøyet eller batteriet slutter å fungere.
18. Oppbevar batteriet utilgjengelig for barn.

TA VARE PÅ DISSE INSTRUKSENE.

⚠FORSIKTIG: Bruk kun originale Makita-batterier. Bruk av batterier som har endret seg, eller som ikke er originale Makita-batterier, kan føre til at batteriet sprekker og forårsaker brann, personskader og andre skader. Det vil også ugyldiggjøre garantien for Makita-verktøyet og -laderen.

Tips for å opprettholde maksimal batterilevetid

1. Lad batteriinnsettsen før den er helt utladet. Stopp alltid driften av verktøyet og lad batteriinnsettsen når du merker at effekten reduseres.
2. Lad aldri en batteriinnsetts som er fulladet. Overopplading for korter batteriets levetid.
3. Lad batteriet i romtemperatur ved 10 °C - 40 °C. Et varmt batteri må kjøles ned før lading.
4. Når batteriet ikke er bruk, skal det tas ut av verktøyet eller laderen.
5. Lad batteriet hvis det ikke har vært brukt på en lang stund (over seks måneder).

FUNKSJONSBEKRIVELSE

⚠️FORSIKTIG: Forviss deg alltid om at maskinen er slått av og batteriet tatt ut før du justerer maskinen eller kontrollerer dens mekaniske funksjoner.

⚠️FORSIKTIG: Vær forsiktig så du ikke klemmer fingeren/fingrene mellom støvsugeren og batteriet, som vist på tegningen, når du setter inn batteriet. Å få en eller flere fingre i klem kan medføre personskader.

► Fig.1

Sette inn eller ta ut batteri

⚠️FORSIKTIG: Slå alltid av verktøyet før du setter inn eller fjerner batteriet.

⚠️FORSIKTIG: Hold verktøyet og batteripatronen i et fast grep når du monterer eller fjerner batteripatronen. Hvis du ikke holder verktøyet og batteripatronen godt fast, kan du miste grepet, og dette kan føre til skader på verktøyet og batteripatronen samt personskader.

► Fig.2: 1. Rød indikator 2. Knapp 3. Batteriinnsetts

For å ta ut batteriet må du skyve på knappen foran på batteriet og trekke det ut.

Når du skal sette inn batteriet, må du plassere tungen på batteriet på linje med sporet i huset og skyve batteriet på plass. Skyv det helt inn til det går i inngrep med et lite klikk. Hvis du kan se den røde indikatoren som vist i figuren, er det ikke helt løst.

⚠️FORSIKTIG: Batteriet må alltid settes helt inn, så langt at den røde indikatoren ikke lenger er synlig. Hvis dette ikke gjøres, kan batteriet falle ut av verktøyet og skade deg eller andre som oppholder seg i nærheten.

⚠️FORSIKTIG: Ikke bruk makt når du setter i batteriet. Hvis batteriet ikke glir lett inn, er det fordi det ikke settes inn på riktig måte.

Batteribeskyttelsessystem

Verktøyet er utstyrt med et batterivernsystem for verktøy/batteri. Dette systemet slår automatisk av strømmen til motoren for å forlenge verktøyets og batteriets levetid. Verktøyet stopper automatisk under drift hvis verktøyet eller batteriet utsettes for en av følgende tilstander.

Overbelastning:

Verktøyet/batteriet brukes på en måte som gjør at det trekker uvanlig mye strøm. I dette tilfellet må du slå av verktøyet og avslutte bruken som forårsaket at verktøyet ble overbelastet. Slå deretter verktøyet på for å starte det igjen. Hvis verktøyet ikke starter, er batteriet overbelastet. I så fall må du la batteriet kjøle seg ned før du slår verktøyet på igjen.

Lav batterispenning:

Gjenværende batterikapasitet er for lav og verktøyet vil ikke fungere. I dette tilfellet, fjern og lad batteriet opp igjen.

Indikere gjenværende batterikapasitet

Trykk på sjekk-knappen på batteriet for vise gjenværende batterikapasitet. Indikatorlampene lyser i et par sekunder.

► Fig.3: 1. Indikatorlamper 2. Kontrollknapp

Indikatorlamper			Gjenværende batterinivå
Tent	Av	Bliker	
			75 % til 100 %
			50 % til 75 %
			25 % til 50 %
			0 % til 25 %
			Lad batteriet.
			Batteriet kan ha en feil.

MERK: Det angitte nivået kan avvike noe fra den faktiske kapasiteten alt etter bruksforholdene og den omgivende temperaturen.

MERK: Den første (helt til venstre) indikatorlampen vil blinke når batterivernsystemet fungerer.

Bryterfunksjon

► Fig.4: 1. Knapp for endring av sugekraft 2. PÅ/AV-knapp

Trykk på PÅ/AV-knappen for å starte støvsugeren. Trykk på PÅ/AV-knappen igjen for å slå den av. Du kan endre støvsugerens sugekraft i fire trinn ved å trykke på knappen for endring av sugekraft. Hvert trykk på denne knappen gjentar modusen stille/normal/høy/maks. i en syklus.

Nivå	Indikasjon	Modus
1		Stillemodus
2		Modus for normal hastighet
3		Modus for høy hastighet
4		Modus for maks. hastighet

MERK: Du kan endre sugekraften før du slår på støvsugeren.

MERK: Støvsugeren starter med samme sugekraft som sist gang den ble brukt.

Tenne lampen

⚠️ FORSIKTIG: Ikke se inn i lyset eller se direkte på lyskilden.

Trykk på knappen for endring av sugekraft for å slå på lampen. Lampen slår seg av etter ca. 10 sekunder. Lampen slår seg på når støvsugeren er i drift. Lampen slukkes ca. 10 sekunder etter at støvsugeren ikke lenger er i drift.

MERK: Når gjenværende batterikapasitet blir lav, begynner lampen å blinke. Lampen begynner å blinke avhengig av temperaturen på arbeidsplassen og batteritilstanden.

► **Fig.5:** 1. Knapp for endring av sugekraft 2. PÅ/AV-knapp 3. Lampe

MONTERING

⚠️ FORSIKTIG: Forviss deg alltid om at maskinen er slått av og batteriet tatt ut før du utfører noe arbeid på maskinen.

Delebeskrivelse

Valgfritt tilbehør

Høyeffektsfilter og fot, samt svampfilter

► **Fig.6:** 1. Kapsel 2. Høyeffektsfilter 3. Fot og svampfilter

Forfilter eller høyeffektsfilter og HEPA-filter

► **Fig.7:** 1. Kapsel 2. Forfilter 3. Høyeffektsfilter 4. HEPA-filter

OBS: Ikke bruk høyeffektsfilteret sammen med filteret (ekstrautstyr). Høyeffektsfilteret kan bli umulig å ta ut av støvsugeren.

MERK: Ved bruk av ekstrautstyret, forfilter og filter med HEPA-filter, må du bare bruke forfilteret over HEPA-filteret. Hvis du bruker forfilter og filter med HEPA-filteret samtidig, kan sugekraften nedsettes.

MERK: Ved bruk av HEPA-filteret med høyeffektsfilter, bruk høyeffektsfilteret med foten.

► **Fig.8:** 1. Fot

Kassering av støv

⚠️ FORSIKTIG: Tøm støvsugeren før den blir for full, ellers reduseres sugekraften.

⚠️ FORSIKTIG: Pass på å tømme støv inni selve støvsugeren. Hvis du ikke gjør det, kan filteret tettes eller motoren ødelegges.

For å fjerne støv som sitter fast på filteret i kapselen, må du banke 4–5 ganger på kapselen med hånden.

► **Fig.9:** 1. Kapsel 2. Innsug

Retts innsuget nedover, drei kapselen i pilens retning i tegningen og ta av kapselen sakte og rett frem.

► **Fig.10:** 1. Kapsel 2. Innsug

MERK: Når kapselen åpnes, kan støv falle ut, så pass på å sette en søppelbøtte under kapselen.

Fjern oppsamlet støv fra innsiden av kapselen og fra høyeffektsfilteret.

► **Fig.11:** 1. Kapsel 2. Høyeffektsfilter

Vri høyeffektsfilteret i pilens retning for å løsne tetningsleppen fra støvsugerenheten, og trekk deretter filteret av.

► **Fig.12:** 1. Tetningsleppe

MERK: Når du bruker forfilter, følges også fremgangsmåten ovenfor.

Fjern det fine støvet, og bank forsiktig for å løsne støv fra høyeffektsfilteret.

Sette sammen innretningen igjen

Sett på høyeffektsfilteret. Nå må du passe på å vri høyeffektsfilteret slik at tetningsleppen låses fast mot støvsugerenheten.

► **Fig.13:** 1. Høyeffektsfilter

► **Fig.14:** 1. Tetningsleppe

OBS: Hver gang du skal bruke støvsugeren, må du passe på å kontrollere at høyeffektsfilteret er satt inn på riktig måte. Hvis de ikke er satt inn på riktig måte, vil det komme støv i motorhuset, noe som vil føre til motorfeil.

Hvis følgende problemer oppstår senere, er høyeffektsfilteret satt inn på feil måte. Sett dem inn på nytt for å løse problemet.

Sett på kapselen. Innrett merket på kapselen med merket på håndtaket, og vri deretter kapselen bestemt i pilens retning til den sitter fast.

► **Fig.15:** 1. Merke 2. Håndtak 3. Kapsel

MERK: Husk alltid på å fjerne støv før du blir nødt til det, da sugekraften vil bli redusert hvis det er for mye støv i støvsugeren.

Eksempler på problemer

Tetningsleppen til høyeffektsfilteret er ikke låst fast i sporet i støvsugerhuset.

► **Fig.16:** 1. Tetningsleppe 2. Spor i støvsugerhuset

Sette på og ta av fot/HEPA-filter

Valgfritt tilbehør

For fot og svampfilter

For å ta av foten, skyver du nederdelen av søylene på foten med fingrene, og frigjør sporene fra fremspringet på støvsugeren. Deretter tar du ut støvfilteret.

► **Fig.17:** 1. Fot 2. Svampfilter

For å sette det inn, rett inn sporene på foten med fremspringet på støvsugeren, og skyv til du hører et klikk. Sett inn svampfilteret mellom søylene, og sett det tilbake i opprinnelig posisjon.

For HEPA-filte

Når du setter i HEPA-filte, tilpass sporene på HEPA-filte med fremspringet på støvsugeren. Så setter du forfilte eller høveffektfilte på HEPA-filte og dreier det for å sikre det. For å ta ut, følges fremgangs-måten for innsetting i omvendt rekkefølge.

► **Fig.18:** 1. HEPA-filte 2. Forfilte

► **Fig.19:** 1. HEPA-filte 2. Høveffektfilte

BRUK

⚠FORSIKTIG: Ikke bevege ansiktet nær lufteventilen når du bruker støvsugeren. Hvis fremmedlegemer blåses inn i øyne kan det føre til personskade.

Sette på eller ta av sugetilbehøret

⚠FORSIKTIG: Etter at du har satt på tilbehøret må du kontrollere om det sitter godt fast. Hvis tilbehøret ikke er satt riktig på, kan det falle av og føre til personskade.

⚠FORSIKTIG: Vær forsiktig så du ikke slår hånden mot veggen når du tar av tilbehøret.

Når du bruker tilbehør med låsefunksjon

Når du skal sette på tilbehør, fører du det inn i innsugingsåpningen på støvsugeren til du hører et klikk. Kontroller at tilbehøret er låst.

► **Fig.20:** 1. Innsug 2. Tilbehør med låsefunksjon 3. Krok

MERK: Når du setter på tilbehøret med låsefunksjon, må du passe på at du innretter utløserknappen med kroken på tilbehøret. Hvis de ikke er innrettet, vil forlengelsesrøret ikke låses, og det kan falle av støvsugeren.

Når du skal ta det av, trekk i tilbehøret mens du skyver utløserknappen.

► **Fig.21:** 1. Utløserknapp 2. Tilbehør med låsefunksjon

Når du bruker tilbehør uten låsefunksjon

⚠FORSIKTIG: For å koble til tilbehøret uten låsefunksjon vrir og fører du det inn i pilens retning for å sørge for at det sitter godt fast under bruk. Du kobler fra tilbehøret ved å vri og trekke det ut i pilens retning. Hvis tilbehøret vrir i feil retning, kan kapselen løse.

► **Fig.22**

Rengjøring (suging)

Munnstykke

Fest munnstykket for å støvsuge bord, møbler, osv. Det er lett å sette på munnstykket.

► **Fig.23:** 1. Munnstykke

Munnstykke + teleskoprør (rett rør)

Teleskoprøret passer inn mellom munnstykket og selve støvsugeren. Denne anordningen er praktisk når du vil gjøre rent på gulvet og samtidig stå oppreist.

► **Fig.24:** 1. Støvsugerhus 2. Teleskoprør 3. Munnstykke

Hjørnemunnstykke

Sett på hjørnemunnstykket for rengjøring av hjørner og hulrom i en bil eller i møbler.

► **Fig.25:** 1. Hjørnemunnstykke 2. Støvsugerhus

Du kan oppbevare hjørnemunnstykket i munnstykkeholderen.

► **Fig.26:** 1. Munnstykkeholder 2. Hjørnemunnstykke

⚠FORSIKTIG: Pass på at fingeren/fingrene ikke kommer i klem mellom hjørnemunnstykket og munnstykkeholderen. Å få en eller flere fingre i klem kan medføre personskade.

Hjørnemunnstykke + forlengelsesrør (rett rør)

På trange steder der støvsugeren selv ikke får plass, eller på steder som er høyt oppe og vanskelige å nå, bør du bruke denne anordningen.

► **Fig.27:** 1. Hjørnemunnstykke 2. Teleskoprør 3. Støvsugerhus

Støvsuge uten munnstykke

Du kan støvsuge pulver og støv uten munnstykke.

► **Fig.28**

For å suge opp støv fra et gulv i stående stilling, lønner det seg å sette på forlengelsesrøret på støvsugeren.

► **Fig.29:** 1. Teleskoprør

VEDLIKEHOLD

⚠FORSIKTIG: Forviss deg alltid om at maskinen er slått av og batteriet tatt ut før du foretar inspeksjon eller vedlikehold.

For å opprettholde produktets SIKKERHET og PÅLITELIGHET, må reparasjoner, vedlikehold og justeringer utføres av autoriserte Makita servicesentre eller fabrikk-servicesentre, og det må alltid brukes reservedeler fra Makita.

Etter bruk

⚠FORSIKTIG: Hvis du plasserer støvsugeren mot en vegg uten annen støtte, kan støvsugeren falle ned. Dette kan medføre personskader eller at støvsugeren blir skadet.

► Fig.30

Rengjøring

OBS: Aldri bruk gasolin, bensin, tynner alkohol eller lignende. Det kan føre til misfarging, deformering eller sprekkdannelse.

OBS: Ikke blås bort støv som sitter fast på støvsugeren og filterene med en støvblåser. Det kan føre til at det kommer støv inn i huset, noe som kan forårsake feil.

OBS: Filtrene skal tørkes grundig før bruk etter at de har blitt vasket. Filtre som ikke er tilstrekkelig tørre kan føre til dårlig sugeeffekt og forkorte motorens levetid.

OBS: Etter at du har rengjort filterene og svampfilteret, må du huske å montere dem igjen før bruk. Hvis du bruker støvsugeren uten filtre og svampfilter, kan støv komme inn i motorhuset og forårsake feil.

Støvsugerhus

Fra tid til annen må du tørke av utsiden av støvsugerens (støvsugerhuset) med en klut fuktet i såpevann. Sugeåpningen og filtermonteringsområdet må også rengjøres.

► Fig.31

Høyeffektsfilter

Vask filteret i såpevann når det er tett av støv og sugeeffekten blir dårlig. Tørk det ordentlig før bruk.

► Fig.32

HEPA-filter

Valgfritt tilbehør

OBS: Ikke gni eller skrap opp HEPA-filteret med harde gjenstander, som en børste eller en spatel.

Et tett HEPA-filter fører til dårlig oppsugingssevne. Rengjør filteret fra tid til annen.

Vask av og til HEPA-filteret med vann, skyll det, og la det tørke helt på et skyggefullt sted før bruk. Filteret må aldri vaskes i vaskemaskin.

► Fig.33

Svampfilter

Når svampfilteret blir skittent, rengjøres det på følgende måte.

1. Ta ut filteret.
2. Dra ut støvfilteret fra mellom stolpene.
3. Rengjør svampfilteret ved å dunke eller vaske det. Tørk det ordentlig før bruk hvis du vasker det.
4. Før inn svampfilteret mellom stolpene, og sett det tilbake i opprinnelig stilling. Kontroller at hver nedre kant av stolpen holder svampfilteret nede, og at det ikke er noen åpning mellom svampfilteret og sugeåpningen.

► Fig.34: 1. Svampfilter 2. Nedre kant av stolpe

Veggfeste for batteridrevet støvsuger

Valgfritt tilbehør

MERK: Skruen til å montere holderen med er ikke inkludert. Bruk en skru som passer til materialet den skal skrues inn i.

Skru veggfestet for den batteridrevne støvsugeren fast i en hard trevegg eller en bjelke, der veggfestet sitter godt fast. Du må alltid se etter at veggfestet for den batteridrevne støvsugeren er festet godt før du henger opp støvsugeren.

► Fig.35: 1. Veggfeste for batteridrevet støvsuger

⚠FORSIKTIG: Ikke heng opp støvsugeren på en kraftig måte eller heng andre apparater på den enn støvsugeren.

Feilsøking

Før du bestiller reparasjon, bør du kontrollere følgende punkter.

Symptom	Område som skal undersøkes	Løsning
Dårlig sugeeffekt	Er kapselen full av støv?	Tøm støvet i kapselen.
	Er filteret tett?	Rengjør eller vask filteret.
	Er batteriet utladet?	Lad batteriet.
Fungerer ikke	Er batteriet utladet?	Lad batteriet.
Støy og vibrasjon	Er filteret tett?	Rengjør eller vask filteret.
	Er munnstykket, slangen eller innsugingsåpningen til apparatet tett?	Fjern gjenstandene som tetter i munnstykket, slangeinnløpet eller innsugingsåpningen til apparatet.
	Er munnstykket/slangeinnløpet tett?	Ikke blokker munnstykket/slangeinnløpet.

⚠FORSIKTIG: Ikke forsøk å reparere støvsugeren selv.

VALGFRITT TILBEHØR

⚠FORSIKTIG: Det anbefales at du bruker dette tilbehøret eller verktøyet sammen med den Makita-maskinen som er spesifisert i denne håndboken. Bruk av annet tilbehør eller verktøy kan forårsake personskader. Tilbehør og verktøy må kun brukes til det formålet det er beregnet på.

Ta kontakt med ditt lokale Makita-servicesenter hvis du trenger mer informasjon om dette tilbehøret.

- Teleskoprør (rett rør)
- Munnstykke
- Teppemunnstykke
- Hyllebørste
- Hjørnemunnstykke
- Rund børste
- Fleksibel slange
- Filter
- Forfilter
- Høyeffektsfilter
- HEPA-filter
- Løst munnstykke
- Setedyse
- Sprekkdyse
- Veggfeste for batteridrevet støvsuger
- Syklontilbehør
- Verktøypose
- Makita originalbatteri og lader

MERK: Enkelte elementer i listen kan være inkludert som standardtilbehør i verktøypakken. Elementene kan variere fra land til land.

Syklontilbehør

- **Fig.36:** 1. Utløserknapp 2. Krok 3. Rett rør
4. Syklontilbehør 5. Innsug

Om syklontilbehøret

Når du bruker støvsugeren med syklontilbehøret montert, reduseres støvmengden som går inn i kapselen, noe som bidrar til å forhindre at sugekraften svekkes. Dessuten blir det enkelt å rengjøre etter bruk.

⚠FORSIKTIG: Forviss deg alltid om at verktøyet er slått av og batteriet tatt ut før du utfører noe arbeid på verktøyet. Hvis du lar batteriet stå i, kan støvsugeren starte opp utilsiktet og føre til personskade.

⚠FORSIKTIG: Rengjør syklontilbehørets maskefilter og støvsugerens filtre når de blir tilstoppet. Fortsatt bruk i tilstoppet tilstand kan føre til overoppheting eller røyk.

OBS: Når syklontilbehøret er satt på, må du ikke bruke støvsugeren i horisontal eller oppovervendt stilling. Det vil føre til at maskefilteret blir tilstoppet.

OBS: Du må alltid bruke støvsugeren med filterne i, selv når du bruker syklontilbehøret. Hvis du bruker støvsugeren uten filterne i, kan motoren svikte.

MERK: Kontroller at syklontilbehøret, støvsugeren og det rette røret er låst før bruk.

MERK: Tøm syklontilbehørets støvboks og støvsugerens kapsel når det har samlet seg opp støv. Fortsatt bruk vil føre til svekket sugekraft.

MERK: Du kan også bruke syklontilbehøret uten låsefunksjon.

MERK: Når du skal sette på eller ta av syklontilbehøret, finner du informasjon i avsnittet "Sette på eller ta av sugetilbehøret".

Avhending av støv

Når støv har samlet seg opp til streken for fullt på støvboksen, følger du fremgangsmåten nedenfor og kaster støvet.

1. Hold et godt tak i støvboksen, trykk på og hold inne de to knappene, og ta av støvboksen.

► **Fig.37:** 1. Strek for fullt 2. Støvboks 3. Knapp (på to steder) 4. Maskefilter

2. Kast støvet i støvboksen, og fjern eventuelt støv og pulver som har festet seg til overflaten på maskefilteret.

3. Før støvboksen helt inn til de to knappene låser seg med et klikk.

► **Fig.38:** 1. Støvboks 2. Knapp (på to steder)

MERK: Kontroller at syklontilbehøret, støvsugeren og det rette røret er låst før tar støvsugeren i bruk igjen.

MERK: Hvis sugekraften ikke gjenopprettes selv etter at du har kastet støvet og rengjort maskefilteret, kontrollerer du om støv har samlet seg opp i støvsugerens kapsel eller om det har oppstått tilstopping.

MERK: Støvet kan virvles opp når du kaster det fra syklontilbehøret. Pass på at du ikke får støv i øynene.

Rengjøring

Når støvboksen blir tilsmusset eller maskefilteret tilstoppet, tar du dem av og vasker dem med vann. (Fremgangsmåte for å ta dem av finner du under "Avhending av støv".)

Tørk delene grundig før du setter dem tilbake og tar støvsugeren i bruk.

► **Fig.39:** 1. Støvboks 2. Maskefilter

Når maskefilteret blir veldig tilsmusset, rengjør du det på følgende måte.

1. Drei maskefilteret mot klokken, og ta det av mens krokene er i ulåst stilling.

► **Fig.40:** 1. Maskefilter 2. Krok

2. Fjern støvet på maskefilteret, og deretter vasker du det med vann. Til slutt tørker du det grundig.

3. Før maskefilteret inn i den nederste delen mens krokene er innrettet med porten. Drei maskefilteret med klokken til krokene låses med et klikk. Kontroller at maskefilteret sitter som det skal.

► **Fig.41:** 1. Maskefilter 2. Krok 3. Port

VAROITUS

- Tätä laitetta voivat käyttää myös 8-vuotiaat tai sitä vanhemmat lapset sekä henkilöt, joiden fyysiset, sensoriset tai henkiset kyvyt ovat rajoittuneet tai joilla ei ole kokemusta tai tietoa laitteen käytöstä, jos he käyttävät laitetta valvotusti tai jos heille annetaan riittävät ohjeet laitteen käyttämiseksi turvallisella tavalla ja he ymmärtävät siihen liittyvät riskit.
- Lapset eivät saa leikkiä laitteella. Lapset eivät saa puhdistaa tai huoltaa tuotetta ilman valvontaa.
- Tarkista akun tyyppi luvusta "TEKNISET TIEDOT".
- Katso akun irrotus- tai poisto-ohjeet osiosta "Akun asentaminen tai irrottaminen".
- Kun akkupaketti on hävitettävä, poista se työkalusta ja hävitä se turvallisesti. Hävitä akku paikallisten määräysten mukaisesti.
- Jos työkalua ei käytetä pitkään aikaan, akku on poistettava työkalusta.
- Älä oikosulje akkupakettia.
- Tarkista käyttäjän huoltotoimien aikana noudatettavat varoimet luvusta "KUNNOSSAPITO".

TEKNISET TIEDOT

Malli:		CL001G
Kapasiteetti		730 mL
Jatkuva käyttö (akulla BL4025)	1 (Hiljainen tila)	Noin 80 min
	2 (Normaali nopeustila)	Noin 40 min
	3 (Suurnopeustila)	Noin 25 min
	4 (Maksiminopeustila)	Noin 16 min
Kokonaispituus (akulla BL4025)		1 066 mm
Nimellisjännite		DC 36 V – 40 V maks.
Nettopaino		1,7 - 2,3 kg

- Jatkuvasta tutkimus- ja kehitystyöstämme johtuen esitetyt tekniset tiedot saattavat muuttua ilman erillistä ilmoitusta.
- Tekniset tiedot voivat vaihdella maittain.
- Paino sisältää akkupaketit, mutta ei varusteita. Kevyin ja painavin laite- ja akkupakettiyhdistelmän paino kuvataan taulukossa.

Käytettävä akkupaketti ja laturi

Akkupaketti	BL4020* / BL4025* / BL4040* / BL4050F *: Suositeltu akku
Laturi	DC40RA / DC40RB / DC40RC

- Tiettyjä yläpuolella kuvattuja akkuja ja latureita ei ehkä ole saatavana asuinalueestasi johtuen.

VAROITUS: Käytä vain edellä eriteltyjä akkupaketteja ja latureita. Muiden akkupakettien ja laturien käyttäminen voi aiheuttaa loukkaantumisen ja/tai tulipalon.

Symbolit

Laitteessa on mahdollisesti käytetty seuraavia symboleja. Opettele niiden merkitys ennen käyttöä.



Lue käyttöohje.



Ni-MH
Li-ion

Koskee vain EU-maita
Käytetyillä sähkö- ja elektroniikkalaitteilla, paristoilla ja akuilla voi olla negatiivisia ympäristö- ja terveysvaikutuksia niissä käytettyjen haitallisten osien takia.
Älä hävitä sähkö- ja elektroniikkalaitteita tai akkuja kotitalousjätteen mukana!
Vanhoja sähkö- ja elektroniikkalaitteita, paristoja ja akkuja koskevan EU-direktiivin ja sen perusteella laadittujen kansallisten lakien mukaan käytetyt sähkö- ja elektroniikkalaitteet, paristot ja akut on kierrätettävä toimittamalla ne erilliseen, ympäristönsuojelusäädösten mukaisesti toimivaan kierrätyspisteeseen.
Tämä on ilmaistu laitteessa olevalla ylivedytyn roska-astian symbolilla.

Käyttötarkoitus

Laitte on tarkoitettu kuivan pölyn imuroimiseen.

TURVAVAROITUKSET

Akkukäyttöisen pölynimurin turvallisuusohjeet

VAROITUS: LUE HUOLELLISESTI kaikki turvavaroitukset ja käyttöohjeet ENNEN KÄYTTÖÄ.
Jos varoitusten ja ohjeiden noudattaminen laiminlyötiin, seurauksena voi olla sähköisku, tulipalo ja/tai vakava vammautuminen.

1. Älä altista laitetta sateelle. Säilytä laitetta sisätiloissa.
2. Älä anna lasten käyttää laitetta leluna. Noudata suurta varovaisuutta, jos annat lasten käyttää laitetta tai käytät laitetta lasten läsnäollessa.
3. Käytä laitetta vain tämän käyttöohjeen mukaisella tavalla. Käytä ainoastaan valmistajan suosittelemia lisävarusteita.
4. Älä käytä laitetta viiallisen akun kanssa. Jos laite ei toimi asianmukaisesti tai se on pudonnut, vaurioitunut, jätetty ulos tai pudotettu veteen, toimita se huoltoon.
5. Älä käytä laitetta märin käsin.
6. Älä laita mitään kohteita laitteen aukkoihin. Älä käytä laitetta jos joku aukoista on tukossa: pidä aukot puhtaana pölystä, nukasta, hiuksista tai muusta, joka voi haitata ilman virtausta.
7. Pidä hiukset, vaatteet, sormet ja muut kehon osat kaukana laitteen aukoista ja liikkuvista osista.
8. Katkaise virta kaikista säätimistä ennen akun irrottamista.

9. Noudata suurta varovaisuutta portaiden imuroinnin aikana.
10. Älä käytä laitetta syttyvien tai palavien nesteiden, kuten bensiinin, keräämiseen. Älä myöskään käytä sitä tiloissa, joissa voi olla tällaisia nesteitä.
11. Käytä lataamiseen vain valmistajan toimittamaa laturia.
12. Älä kerää mitään palavaa tai savuavaa, kuten savukkeita, tuliitikkuja tai kuumaa tuhkaa.
13. Älä käytä laitetta ilman pölypussia ja/tai suodattimia.
14. Älä lataa akkua ulkona.
15. Lataa akkua vain valmistajan määrittämällä laturilla. Tietyille akuille sopiva laturi voi aiheuttaa tulipalovaaran, jos sitä käytetään muuntotyypisen toisen akun kanssa.
16. Käytä laitteita vain määritysten mukaisen akkupaketin kanssa. Muun tyyppisen akkupaketin käyttäminen voi aiheuttaa tapaturma- tai tulipalovaaran.
17. Kun akku ei ole käytössä, säilytä se erillään metalliesineistä, kuten paperiliittimistä, kolikoista, avaimista, nauloista, ruuveista ja muista pienistä metallikappaleista, jotka voivat yhdistää akun navat.
18. Akusta voi vuotaa nestettä, jos sitä käsitellään väärin. Vältä kosketusta. Jos nestettä pääsee iholle vahingossa, huuhtele iho vedellä.
19. Älä käytä viiallista tai muunneltua akkupakettia tai laitetta. Viialliset tai muunnellut akut voivat toimia odottamattomasti aiheuttamalla tulipalo-, räjähdys- tai tapaturmavaaran.
20. Älä altista akkupakettia tai laitetta tulelle tai äärimmäisille lämpötiloille. Altistus tulelle tai yli 130 °C:n lämpötiloille voi aiheuttaa räjähdyksen.
21. Noudata kaikkia latausohjeita, äläkä lataa akkupakettia tai laitetta ohjeissa määritettyjen lämpötilarajojen ulkopuolella. Väärin tai ohjeissa määritettyjen lämpötilarajojen ulkopuolella suoritettu lataus voi aiheuttaa akkuvaurion ja kasvattaa tapaturmavaaraa.

SÄILYTÄ NÄMÄ OHJEET.

LISÄTURVALLISUUSOHJEITA

Tämä laite on tarkoitettu kotikäyttöön.

1. Lue tämä käyttöohje sekä laturin käyttöohje huolellisesti ennen käyttöä.
2. Älä kerää seuraavia aineita:
 - Kuumia aineita, esimerkiksi palavia savukkeita tai metallin hiomisesta tai työstämisestä syntyneitä kipinöitä tai metallipölyä
 - Tulenarkoja aineita, esimerkiksi moottori- tai puhdistusbensiiniä, tinneriä, petroolia tai maalia
 - Räjähäviä aineita, esimerkiksi nitroglyseriiniä
 - Herkästi syttyviä aineita, kuten alumiinia, sinkkiä, magnesiumia, titaania, fosforia tai selluloidia

- Märkää hiekkaa tai savea, vettä, öljyä tai vastaavia aineita
- Kovia terävasärmäisiä esineitä, esimerkiksi puunsäleitä, metallinkappaleita, lasia, nauvoja, neuloja ja partakoneenteria
- Paakkuuntuvia jauheita, esimerkiksi sementtiä tai väriaineita
- Sähköä johtavaa pölyä, esimerkiksi metalli- tai hiilipölyä
- Hienojakoisia aineita, esimerkiksi betonipölyä

Tämä voi aiheuttaa tulipalon sekä henkilö- ja/ tai omaisuusvahinkoja.

3. Lopeta käyttö heti, jos havaitset mitään epänormaalia.
4. Jos imuri kolhiintuu tai putoaa maahan, tarkasta, tuliko siihen vaurioita, ennen kuin käytät sitä.
5. Älä käytä imuria uunien tai muiden lämmönlähteiden läheisyydessä.
6. Älä tuki ilmanottoaukkoa tai tuuletusaukkoja.

SÄILYTÄ NÄMÄ OHJEET.

Akkupakettia koskevia tärkeitä turvaohjeita

1. Ennen akun käyttöönottoa tutustu kaikkiin laturissa (1), akussa (2) ja akkukäyttöisessä tuotteessa (3) oleviin varoitusteksteihin.
2. Älä pura tai peukaloi imuria akkupakettia. Se voi johtaa tulipaloon, ylikuumenemiseen tai räjähdykseen.
3. Jos akun toiminta-aika lyhenee merkittävästi, lopeta akun käyttö. Seurauksena voi olla ylikuumeneminen, palovammoja tai jopa räjähdys.
4. Jos akkunestettä pääsee silmiin, huuhtele puhtaalla vedellä ja hakeudu välittömästi lääkäriin hoitoon. Akkuneste voi aiheuttaa näön menetyksen.
5. Älä oikosulje akkua.
 - (1) Älä koske akun napoihin millään sähköä johtavalla materiaalilla.
 - (2) Vältä akun oikosulkemista äläkä säilytä akkua yhdessä muiden metalliesineiden, kuten naulojen, kolikoiden ja niin edelleen kanssa.
 - (3) Älä aseta akkua alttiiksi vedelle tai sateelle.

Oikosulku voi aiheuttaa virtapiikin, ylikuumenemista, palovammoja tai laitteen rikkoutumisen.

6. Älä säilytä ja käytä työkalua ja akkupakettia paikassa, jossa lämpötila voi nousta 50 °C:een (122 °F) tai korkeammaksi.
7. Älä hävitä akkua polttamalla, vaikka se olisi pahoin vaurioitunut tai täysin loppuun kulunut. Avotuli voi aiheuttaa akun räjähtämisen.
8. Älä naulaa, leikkaa, purista, heitä tai pudota akkupakettia tai iske sitä kovia esineitä vasten. Tällaiset toimet voivat johtaa tulipaloon, ylikuumenemiseen tai räjähdykseen.
9. Älä käytä viallista akkua.

10. Sisältyviä litium-ioni-akkuja koskevat vaarallisten aineiden lainsäädännön vaatimukset.

Esimerkiksi kolmansien osapuolten huolintaliikkeiden tulee kaupallisissa kuljetuksissa noudattaa pakkaamista ja merkintöjä koskevia erityisvaatimuksia.

Lähetettävän tuotteen valmistelu edellyttää vaarallisten aineiden asiantuntijan neuvontaa. Huomioi myös mahdollisesti yksityiskohtaisemmat kansalliset määräykset

Akun avoimet liittimet tulee suojata teipillä tai suojuksella ja pakkaaminen tulee tehdä niin, ettei akku voi liikkua pakkauksessa.

11. Kun akkupaketti on hävitettävä, poista se laitteesta ja hävitä se turvallisesti. Hävitä akku paikallisten määräysten mukaisesti.
12. Käytä akkuja vain Makitan ilmoittamien tuotteiden kanssa. Akkujen asentaminen yhteen sopimattomiin tuotteisiin voi aiheuttaa tulipalon, liiallisen ylikuumenemisen, räjähdyksen tai akkunestevuotoja.
13. Jos laitetta ei käytetä pitkään aikaan, akku on poistettava laitteesta.
14. Akkupaketin lämpötila voi käytön aikana ja sen jälkeen nousta niin kuumaksi, että se voi aiheuttaa palovammoja tai lieviä palovammoja. Käsittele kuumia akkupaketteja huolellisesti.
15. Älä kosketa työkalun liittintä välittömästi käytön jälkeen, sillä se voi olla riittävän kuuma aiheuttamaan palovammoja.
16. Älä päästä lastuja, pölyä tai maata akkupaketin liittimiin, aukkoihin ja uriin. Se voi johtaa työkalun tai akkupaketin lämpenemiseen, syttymiseen, purkautumiseen tai toimintahäiriöön, mikä voi aiheuttaa palovammoja tai vammoja.
17. Ellei työkalu tue käyttöä korkeajännitelinjojen lähellä, älä käytä akkupakettia korkeajännitelinjojen lähellä. Se voi johtaa työkalun tai akkupaketin toimintahäiriöön tai rikkoutumiseen.
18. Pidä akku poissa lasten ulottuvilta.

SÄILYTÄ NÄMÄ OHJEET.

⚠HUOMIO: Käytä vain alkuperäisiä Makita-akkuja. Muiden kuin aitojen Makita-akkujen, tai mahdollisesti muutettujen akkujen käyttö voi johtaa akun murtumiseen ja aiheuttaa tulipaloja, henkilö- ja omaisuusvahinkoja. Se mitätöi myös Makita-työkalun ja -laturin Makita-takuun.

Vihjeitä akun käyttöiän pidentämiseksi

1. Lataa akku ennen kuin se purkautuu täysin. Lopeta aina työkalun käyttö ja lataa akku, jos huomaa työkalun tehon vähenevän.
2. Älä koskaan lataa uudestaan täysin ladattua akkua. Yllälaaminen lyhentää akun käyttöikä.
3. Lataa akku huoneen lämpötilassa välillä 10 °C - 40 °C. Anna kuumen akku jäähtyä ennen lataamista.
4. Irrota akkupaketti työkalusta tai laturista, kun sitä ei käytetä.
5. Lataa akkupaketti, jos et käytä sitä pitkään aikaan (yli kuusi kuukautta).

TOIMINTOJEN KUVAUS

▲HUOMIO: Varmista aina ennen säätöjä ja tarkastuksia, että työkalu on sammutettu ja akkupaketti irrotettu.

▲HUOMIO: Varo, että sormesi eivät jää imurin ja akun väliin akkua latauksen aikana kuvan osoittamalla tavalla. Sormien puristuminen voi aiheuttaa tapaturmia.

► Kuva1

Akun asentaminen tai irrottaminen

▲HUOMIO: Sammuta työkalu aina ennen akun kiinnittämistä tai irrottamista.

▲HUOMIO: Pidä työkalusta ja akusta tiukasti kiinni, kun irrotat tai kiinnität akkua. Jos akkupaketti tai työkalu putoaa, ne voivat vaurioitua tai aiheuttaa tapaturman.

► Kuva2: 1. Punainen ilmainen 2. Painike 3. Akkupaketti

Irrota akku painamalla akun etupuolella olevaa painiketta ja vetämällä akku ulos työkalusta.

Akkupaketti asetetaan paikalleen sovittamalla akkupaketin kieleke rungon uraan ja työnämällä se sitten paikalleen. Työnnä se pohjaan asti niin, että kuulet sen napsahdavan paikoilleen. Jos näet kuvan mukaisen punaisen ilmaisimen, lukitus ei ole täysin pitävä.

▲HUOMIO: Työnnä akkupaketti aina pohjaan asti, niin että punainen ilmainen ei enää näy. Jos akkupaketti ei ole kunnolla paikallaan, se voi pudota työkalusta ja aiheuttaa vammoja joko sinulle tai sivullisille.

▲HUOMIO: Älä käytä voimaa akun asennuksessa. Jos akku ei liu'u paikalleen helposti, se on väärässä asennossa.

Akun suojausjärjestelmä

Laite on varustettu laitteen/akun suojausjärjestelmällä. Tämä järjestelmä pidentää laitteen ja akun käyttöikää katkaisemalla automaattisesti moottorin virran. Laite pysähtyy automaattisesti kesken käytön, jos laitteessa tai akussa ilmenee jokin seuraavista tilanteista.

Ylikuormitus:

Työkalua/akkua käytetään tavalla, joka saa sen kuluttamaan epätavallisen paljon virtaa.

Katkaise tässä tilanteessa työkalusta virta ja lopeta ylikuormitustilan aiheuttanut käyttö. Käynnistä sitten työkalu uudelleen kytkemällä siihen virta.

Jos työkalu ei käynnisty, akku on ylikuumentunut. Anna tässä tilanteessa akku jäähtyä, ennen kuin kytket työkaluun virran uudelleen.

Alhainen akun jännite:

Akun varaus ei riitä työkalun käyttämiseen. Irrota silloin akku ja lataa se.

Akun jäljellä olevan varaustason ilmaisin

Painamalla tarkistuspainiketta saat näkyviin akun jäljellä olevan varauksen. Merkkivalot palavat muutaman sekunnin ajan.

► Kuva3: 1. Merkkivalot 2. Tarkistuspainike

Merkkivalot			Akussa jäljellä olevan varaus
Palaa	Pois päältä	Viikkuu	
			75% - 100%
			50% - 75%
			25% - 50%
			0% - 25%
			Lataa akku.
			Akussa on saattanut olla toimintahäiriö.

HUOMAA: Ilmoitettu varaustaso voi erota hieman todellisesta varaustasosta sen mukaan, millaisissa oloissa ja missä lämpötilassa laitetta käytetään.

HUOMAA: Ensimmäinen (vasemmanpuoleisin) merkkivalo vilkkuu, kun akun suojausjärjestelmä on toiminnassa.

Kytkimen käyttäminen

► Kuva4: 1. Imutehon vaihtopainike 2. ON/OFF-painike

Käynnistä imuri painamalla ON/OFF-painiketta. Sammuta painamalla ON/OFF-painiketta uudelleen. Voit vaihtaa imurin imutehoa nelipykäläisesti imutehon vaihtopainiketta painiketta. Kukin painikkeen painallus vaihtaa hiljaisen/normaalin/suurnopeus-/maksiminopeustilan välillä tässä järjestyksessä.

Taso	Merkki	Tila
1		Hiljainen tila
2		Normaali nopeustila
3		Suurnopeustila
4		Maksiminopeustila

HUOMAA: Imutehoa voi vaihtaa ennen imurin kytkemistä päälle.

HUOMAA: Imuri alkaa toimia samalla imuteholla, millä sitä on käytetty viimeksi.

Lampun sytyttäminen

⚠HUOMIO: Älä katso suoraan lampuun tai valonlähteeseen.

Kytke lamppu päälle painamalla imutehon vaihtopainiketta. Lamppu sammuu automaattisesti noin 10 sekunnin kuluttua.

Lamppu palaa, kun imuri on toiminnassa.

Lamppu sammuu noin 10 sekunnin kuluttua toiminnan lopettamisesta.

HUOMAA: Kun akkukapasiteetti on vähissä, lamppu alkaa vilkkua. Lampun vilkkumisen alkamisajankohta vaihtelee työskentelyalueen lämpötilan ja akkupaketin tilan mukaan.

► **Kuva5:** 1. Imutehon vaihtopainike 2. ON/OFF-painike 3. Lamppu

KOKOONPANO

⚠HUOMIO: Varmista aina ennen mitään työkalulle tehtäviä toimenpiteitä, että se on sammutettu ja akku irrotettu.

Osien kuvaus

Lisävaruste

Suurtehosuodatin, teline ja sienisuodatin

► **Kuva6:** 1. Kapseli 2. Suurtehosuodatin 3. Teline ja sienisuodatin

Esisuodatin tai suurtehosuodatin ja HEPA-suodatin

► **Kuva7:** 1. Kapseli 2. Esisuodatin 3. Suurtehosuodatin 4. HEPA-suodatin

HUOMAUTUS: Älä käytä suurtehosuodatinta suodattimen kanssa (valinnainen lisävaruste). Suurtehosuodatin voi jumittua imuriin niin, ettei sitä saa pois.

HUOMAA: Kun käytät valinnaista esisuodatinta ja HEPA-suodattimella varustettua suodatinta, käytä vain esisuodatinta HEPA-suodattimen päällä. Jos käytät esisuodatinta ja HEPA-suodattimella varustettua suodatinta samanaikaisesti, imuteho voi heiketä.

HUOMAA: Jos käytät HEPA-suodatinta suurtehosuodattimen kanssa, käytä suurtehosuodatinta telineessä.

► **Kuva8:** 1. Teline

Pölyn hävittäminen

⚠HUOMIO: Tyhjennä imuri ennen sen täytymistä, jotta imuteho ei heikkene.

⚠HUOMIO: Varmista, että puhdistat myös imurin sisäpuolen pölystä. Muussa tapauksessa suodatin voi tukkeutua ja moottori vaurioitua.

Kapselissa olevaan suodattimeen tarttunut pöly irtoaa, kun kopautat kapselia kädelläsi 4 tai 5 kertaa.

► **Kuva9:** 1. Kapseli 2. Imupää

Suuntaa imupää alaspäin, käännä kapselia nuolen suuntaan kuvassa näytetyllä tavalla ja irrota kapseli hitaasti ja suorassa.

► **Kuva10:** 1. Kapseli 2. Imupää

HUOMAA: Avauksen aikana kapselista voi levitä pölyä, joten muista asettaa kapselin alapuolelle roskapussi.

Poista kertynyt pöly kapselin sisältä ja suurtehosuodattimesta.

► **Kuva11:** 1. Kapseli 2. Suurtehosuodatin

Kierrä suurtehosuodatinta nuolen osoittamaan suuntaan niin, että kiinnityshuuli irtoaa imurista ja vedä suodatin tämän jälkeen pois.

► **Kuva12:** 1. Kiinnityshuuli

HUOMAA: Noudata edellä kuvattua menettelyä myös esisuodatinta käytettäessä.

Poista hienojakoinen pöly ja kopauta kevyesti pölyn poistamiseksi suurtehosuodattimesta.

Judelleenkokoaminen

Suurtehosuodattimen asetus. Kierrä suurtehosuodatinta tässä vaiheessa niin, että kiinnityshuuli lukkiutuu luotettavasti kiinni imuriin.

► **Kuva13:** 1. Suurtehosuodatin

► **Kuva14:** 1. Kiinnityshuuli

HUOMAUTUS: Tarkista aina ennen imurin käyttöä, että suurtehosuodatin on kiinnitetty oikein paikalleen. Jos se ei ole oikein paikallaan, pölyä voi päästä moottoriin ja aiheuttaa moottorivian.

Jos jäljempänä kuvattuja tilanteita esiintyy, suurtehosuodatinta ei ole asetettu oikein paikalleen. Korjaa ongelma asettamalla se oikein paikalleen.

Kiinnitä kapseli. Kohdista kapselissa oleva merkki kahvassa olevaan merkkiin ja kierrä kapselia tämän jälkeen nuolen osoittamaan suuntaan, kunnes se on pitävästi kiinni paikallaan.

► **Kuva15:** 1. Merkki 2. Kahva 3. Kapseli

HUOMAA: Poista pöly aina hyvissä ajoin, sillä imuteho heikkenee, jos imurissa on liikaa pölyä.

Esimerkkejä ongelmista

Suurtehosuodattimen kiinnityshuuli ei ole lukkiutunut oikein imurikotelon uraan.

► **Kuva16:** 1. Kiinnityshuuli 2. Imurikotelon ura

Telineen/HEPA-suodattimen asentaminen tai irrottaminen

Lisävaruste

Teline ja sienisuodatin

Irrota teline työntämällä pilareita sormin ylöspäin niiden alaosaan ja vapauttamalla telineen ura imurin kiskosta. Irrota sitten sienisuodatin.

► **Kuva17:** 1. Teline 2. Sienisuodatin

Asenna paikalleen kohdistamalla telineen urat imurin kiskoihin ja painamalla telinettä, kunnes se napsahtaa kiinni.

Aseta sienisuodatin kiinnityspilarien väliin alkuperäiseen asentoonsa.

HEPA-suodatin

Kun asennat HEPA-suodatinta, aseta sen ura imurin kiskoon. Aseta sitten esisuodatin tai suurtehosuodatin HEPA-suodattimen päälle ja kiinnitä se kiertämällä. Irrottaminen tapahtuu päivänvastaaisessa järjestyksessä.

► **Kuva18:** 1. HEPA-suodatin 2. Esisuodatin

► **Kuva19:** 1. HEPA-suodatin 2. Suurtehosuodatin

TYÖSKENTELY

⚠HUOMIO: Älä aseta kasvoja ilma-aukkojen lähellä imurinta käytettäessä. Ilmavirta voi puhalttaa vierasesineitä ihmisten silmiin, mikä voi johtaa henkilövammoihin.

Imurilisävarusteen asennus ja irrotus

⚠HUOMIO: Kun lisävaruste on asennettu, tarkista, että se on kiinnitetty pitävästi. Jos lisävaruste on kiinnitetty epätäydellisesti, se voi irrota ja aiheuttaa henkilövammaa.

⚠HUOMIO: Varo ettei kätesi osu seinään tai vastaavaan esteeseen, kun irrotat lisävarustetta.

Lukitustoiminnolla varustetun lisävarusteen käyttö

Asenna lisävaruste paikalleen painamalla se imurin imupäähän niin, että se naksahtaa paikalleen. Varmista, että lisävaruste on lukittu.

► **Kuva20:** 1. Imupää 2. Lukitustoiminnolla varustettu lisävaruste 3. Salpa

HUOMAA: Kun asennat lukitustoiminnolla varustettua lisävarustetta paikalleen, varmista, että vapautuspainike on vastakkain lisävarusteen salvan kanssa. Mikäli ne eivät ole vastakkain, jatkovarsi ei lukitu paikalleen ja se saattaa irrota imurista.

Irrota lisävaruste vetämällä siitä samalla, kun painat vapautuspainiketta.

► **Kuva21:** 1. Vapautuspainike 2. Lukitustoiminnolla varustettu lisävaruste

Lukitustoiminnottoman lisävarusteen käyttö

⚠HUOMIO: Kiinnitä lukitustoiminnottoman lisävaruste kiertämällä ja painamalla sitä nuolen suuntaan niin, että se pysyy paikallaan käytön aikana. Irrota lisävaruste vastaavasti kiertämällä ja vetämällä sitä nuolen suuntaan. Jos lisävarustetta kierretään päivänvastaaiseen suuntaan, kapseli voi irrota.

► **Kuva22**

Puhdistus (Imurointi)

Suutin

Kiinnitä suutin, kun imuroit pöytiä, tasoja, huonekaluja tms. Suutin liukuu helposti.

► **Kuva23:** 1. Suutin

Suutin + jatkovarsi (suora putki)

Jatkovarsi asetetaan suuttimen ja imurin väliin. Jatkovarsi on käytännöllinen lattioiden imuroinnissa seisten.

► **Kuva24:** 1. Imurin runko 2. Jatkovarsi 3. Suutin

Kulmasuutin

Kulmasuuttimen avulla voit imuroida nurkat ja ahtaat paikat autoissa ja huonekaluissa.

► **Kuva25:** 1. Kulmasuutin 2. Imurin runko

Kulmasuuttimen voi asettaa talteen suutinpidikkeeseen.

► **Kuva26:** 1. Suutinpidike 2. Kulmasuutin

⚠HUOMIO: Varo jättämästä sormia kulmasuuttimen ja suutinpidikkeen väliin. Sormien puristuminen voi aiheuttaa vamman.

Kulmasuutin + jatkovarsi (suora putki)

Käytä tätä kokoonpanoa, jos imuri ei muutoin mahdu kohteeseen tai jos imuroit korkealta.

► **Kuva27:** 1. Kulmasuutin 2. Jatkovarsi 3. Imurin runko

Siivous ilman suutinta

Jauhoa ja pölyä voi imuroida myös ilman suutinta.

► **Kuva28**

Imuroitaessa lattiaa seisaaltaan imuriin kannattaa kiinnittää työskentelyä helpottava jatkovarsi.

► **Kuva29:** 1. Jatkovarsi

KUNNOSSAPITO

⚠HUOMIO: Varmista aina ennen tarkastusta tai huoltoa, että työkalu on sammutettu ja akku irrotettu.

Tuotteen TURVALLISUUDEN ja LUOTETTAVUUDEN takaamiseksi korjaukset, muut huoltotyöt ja säädöt on teetettävä Makitan valtuutetussa huoltopisteessä Makitan varaosia käyttäen.

Käytön jälkeen

⚠HUOMIO: Jos imuri asetetaan seinää vasten ilman tukea, imuri voi kaatua, mikä voi johtaa henkilövahinkoihin tai imurin vaurioitumiseen.

► Kuva30

Puhdistus

HUOMAUTUS: Älä koskaan käytä bensiiniä, ohenteita, alkoholia tai tms. aineita. Muutoin pinta voi halkeilla tai sen värit ja muoto voivat muuttua. Muutoin laitteeseen voi tulla värjäytymiä, muodon vääristymiä tai halkeamia.

HUOMAUTUS: Älä puhalla imuriin ja suodattiin turtunutta pölyä puhaltimella. Pöly kulkeutuu imurikotelon sisälle ja aiheuttaa toimintahäiriön.

HUOMAUTUS: Kuivaa suodattimet huolellisesti pesun jälkeen, ennen kuin otat ne uudelleen käyttöön. Jos suodattimia ei ole kuivattu kunnolla, ne voivat heikentää laitteen imutehoa ja lyhentää moottorin käyttöikää.

HUOMAUTUS: Asenna suodattimet ja sienisuodatin puhdistuksen jälkeen takaisin, ennen kuin käytät imuria. Jos imuria käytetään ilman suodattimia ja sienisuodatinta, moottorikoteloon pääsee pölyä, joka aiheuttaa toimintahäiriön.

Imurin runko

Pyyhi ajoittain imurin ulkopuoli (laitetekotelo) pesuainevedellä kostutetulla liinalla.

Puhdista myös imuaukko ja suodattimien kiinnitysalue.

► Kuva31

Suurtehosuodatin

Pese pölystä tukkeutunut suodatin saippuavedessä jos imurin imuteho on sen vuoksi heikentynyt. Kuivaa suodatin läpikotaisin ennen käyttöä.

► Kuva32

HEPA-suodatin

Lisävaruste

HUOMAUTUS: Älä hierrä tai naarmuta HEPA-suodatinta kovilla esineillä, kuten harjoilla tai muilla vastaavilla.

Tukkeutunut HEPA-suodatin heikentää imutehoa. Puhdista suodatin ajoittain.

Pese ja huuhtelee HEPA-suodatin aika ajoin vedellä ja anna sen kuivua kokonaan varjoisassa paikassa ennen sen uudelleen käyttöä. Älä koskaan pese suodatinta pesukoneessa.

► Kuva33

Sienisuodatin

Kun sienisuodatin likaantuu, puhdista se seuraavasti.

1. Irrota suodatin.
2. Vedä sienisuodatin ulos kiinnityspilarien välistä.
3. Puhdista sienisuodatin napauttelemalla sitä tai pesemällä se. Jos peset sen, kuivaa se läpikotaisin ennen käyttöä.
4. Aseta sienisuodatin kiinnityspilarien väliin alkupeiräiseen asentoonsa. Varmista, että molempien kiinnityspilarien alareunat pitävät sienisuodatinta paikallaan ja että sienisuodattimen ja imuaukon väliin ei jaa tyhjää tilaa.

► Kuva34: 1. Sienisuodatin 2. Kiinnityspilarin alareuna

Akkukäyttöisen pölynimurin seinäteline

Lisävaruste

HUOMAA: Ei sisällä telineen kiinnitysruuvia. Varaa asennusta varten asennuspaikan materiaalle sopiva ruuvi.

Kiinnitä akkukäyttöisen pölynimurin seinäteline kovaan seinään, palkkiin tai pylvääseen, johon akkukäyttöisen pölynimurin seinäteline voidaan kiinnittää tukevasti. Varmista aina ennen pölynimurin telineeseen asettamista, että akkukäyttöinen pölynimurin seinäteline on tukevasti kiinni.

► Kuva35: 1. Akkukäyttöisen pölynimurin seinäteline

⚠HUOMIO: Älä ripusta pölynimuria seinätelineeseen voimalla äläkä ripusta telineeseen muita laitteita kuin pölynimuri.

Vianmääritys

Tarkasta seuraavat kohdat ennen korjauspyyntöä.

Oire	Tarkastettava kohta	Kiinnitystapa
Heikko imuteho	Onko kapseli täynnä pölyä?	Tyhjennä kapseli pölystä.
	Onko suodatin tukossa?	Puhdista tai pese suodatin.
	Onko akkupaketti purkautunut?	Lataa akku.
Ei toimintaa	Onko akkupaketti purkautunut?	Lataa akku.
Melu ja värinä	Onko suodatin tukossa?	Puhdista tai pese suodatin.
	Onko laitteen suutin, putki tai imupää tukossa?	Poista laitteen suuttimen, putken tai imupään tukkivat esineet.
	Onko suuttimen/putken imupuoli tukossa?	Älä tuki suuttimen/putken imupuolta.

⚠HUOMIO: Älä yritä itse korjata imuria.

LISÄVARUSTEET

⚠HUOMIO: Seuraavia lisävarusteita tai laitteita suositellaan käytettäväksi tässä ohjeessa kuvatun Makita-työkalun kanssa. Muiden lisävarusteiden tai laitteiden käyttö voi aiheuttaa henkilövahinkoja. Käytä lisävarusteita ja -laitteita vain niiden käyttötarkoituksen mukaisesti.

Jos tarvitset apua tai yksityiskohtaisempia tietoja seuraavista lisävarusteista, ota yhteys paikalliseen Makitan huoltoon.

- Jatkovarsi (suora putki)
- Suutin
- Mattosuutin
- Hyllyharja
- Kulmasuutin
- Pyöreä harja
- Joustava letku
- Suodatin
- Esisuodatin
- Suurtehosuodatin
- HEPA-suodatin
- Vapaa suulake
- Istuinsuutin
- Rakosuulake
- Akkukäyttöisen polynimurin seinäteline
- Syklonilisävaruste
- Työkalulaukku
- Aito Makitan akku ja laturi

HUOMAA: Jotkin luettelossa mainitut varusteet voivat sisältyä työkalun toimitukseen vakiovarusteina. Ne voivat vaihdella maittain.

Syklonilisävaruste

- **Kuva36:** 1. Vapautuspainike 2. Salpa 3. Suora putki 4. Syklonilisävaruste 5. Imupää

Syklonilisävarusteen esittely

Imuriin kytkettävä syklonilisävaruste pienentää kapseliin päätyvän pölyn määrää, mikä auttaa ehkäisemään imutehon heikentymistä. Puhdistus on myös helppoa käytön jälkeen.

⚠HUOMIO: Varmista aina ennen mitään työkalulle tehtäviä toimenpiteitä, että se on sammutettu ja akkupaketti on irrotettu. Jos akkupaketti jätetään paikalleen, imuri voi käynnistyä odottamatta, mikä voi johtaa henkilövahinkoon.

⚠HUOMIO: Puhdista syklonilisävarusteen verkkosuodatin ja imurin suodattimet, kun ne alkavat tukkeutua. Jatkuva käyttö tukkeutuneena voi johtaa laitteiden lämpenemiseen ja savuamiseen.

HUOMAUTUS: Kun syklonilisävaruste on kytkettynä, älä käytä imuria vaaka-asennossa tai ylöspäin suunnattuna. Se voi aiheuttaa verkkosuodattimen tukkeutumisen.

HUOMAUTUS: Käytä imurissa aina suodattimia, vaikka käyttäisit imurissa syklonilisävarustetta. Imurin käyttäminen ilman suodattimia voi johtaa moottorin toimintahäiriöihin.

HUOMAA: Varmista ennen käyttöä, että syklonilisävaruste, imuri ja suora putki on lukittu oikein.

HUOMAA: Tyhjennä syklonilisävarusteen pölykotelon ja imurin kapseli, kun niihin on kertynyt pölyä. Käytön jatkaminen heikentää imutehoa.

HUOMAA: Voit käyttää myös lukitustoimintotonta syklonilisävarustetta.

HUOMAA: Katso syklonilisävarusteen asennus- ja irrotusohjeet kohdasta "Imurilisävarusteen asennus ja irrotus".

Pölyn hävittäminen

Kun pölykoteloon on kertynyt pölyä maksimimääräviivaan asti, hävitä pöly seuraavien ohjeiden mukaisesti.

1. Pidä pölykotelosta tiukasti kiinni ja pidä kahta painiketta painettuna samalla, kun irrotat pölykotelon.
► **Kuva37:** 1. Maksimimääräviiva 2. Pölykotelon 3. Painike (kaksi kohtaa) 4. Verkkosuodatin

2. Hävitä pölykotelon sisälle kertynyt pöly ja irrota verkkosuodattimen pintaan kertynyt pöly ja jauhe.
3. Aseta pölykotelon paikalleen niin, että kaksi painiketta lukitsevat sen naksauttaen.
► **Kuva38:** 1. Pölykotelon 2. Painike (kaksi kohtaa)

HUOMAA: Varmista ennen käytön aloittamista uudelleen, että syklonilisävaruste, imuri ja suora putki on lukittu oikein.

HUOMAA: Jos imuteho ei palaudu pölyn hävittämisen ja verkkosuodattimen puhdistamisen jälkeen, tarkista, onko imurin kapseliin kertynyt pölyä tai onko se tukkeutunut.

HUOMAA: Syklonilisävarusteesta poistettava pöly saattaa lennähtää ylöspäin. Varo, ettei pölyä pääse silmiin.

Puhdistus

Kun pölykotelon likaantuu tai verkkosuodatin tukkeutuu, irrota ne ja pese ne vedellä. (Katso irrotusohjeet kohdasta "Pölyn hävittäminen".)

Kuivaa osat huolellisesti ennen niiden paikalleen asentamista ja käyttöä.

- **Kuva39:** 1. Pölykotelon 2. Verkkosuodatin

Kun verkkosuodatin likaantuu merkittävästi, puhdista se seuraavien ohjeiden mukaisesti.

1. Käännä verkkosuodatinta vastapäivään ja irrota se, kun sen salvat ovat avoimessa asennossa.
► **Kuva40:** 1. Verkkosuodatin 2. Salpa
2. Irrota pöly verkkosuodattimesta ja pese sitten suodatin vedellä. Kuivaa se tämän jälkeen huolellisesti.
3. Paina verkkosuodatin kiinni alustaan, kun salvat ovat vastakkain liitännän kanssa. Käännä verkkosuodatinta myötäpäivään, kunnes salvat lukittuvat naksauttaen. Varmista, että verkkosuodatin on tiukasti paikallaan.
► **Kuva41:** 1. Verkkosuodatin 2. Salpa 3. Liitäntä

ADVARSEL

- Dette apparat kan bruges af børn fra 8 år og derover og personer med nedsatte fysiske, sensoriske eller mentale evner eller manglende erfaring og viden, hvis de er under opsyn eller har modtaget instruktioner i sikker anvendelse af apparatet og forstår de farer, der er involveret.
- Børn må ikke lege med apparatet. Rengøring og brugervedligeholdelse må ikke udføres af børn uden opsyn.
- Se kapitlet "SPECIFIKATIONER" for batteriets typereference.
- Se afsnittet "Installation eller fjernelse af akkuen" for at finde ud af, hvordan man fjerner eller installerer batteriet.
- Når du bortskaffer akkuen, skal du afmontere den fra maskinen og bortskaffe den på et sikkert sted. Følg dine lokale regler vedrørende bortskaffelse af batterier.
- Hvis maskinen ikke skal bruges i en længere periode, skal batteriet fjernes fra maskinen.
- Akkuen må ikke kortsluttes.
- Se kapitlet "VEDLIGEHOLDELSE" for at få de relevante oplysninger om forholdsregler under brugervedligeholdelse.

SPECIFIKATIONER

Model:		CL001G
Kapacitet		730 ml
Kontinuerlig anvendelse (med batteri BL4025)	1 (Stilletilstand)	Ca. 80 min
	2 (Normal hastighedstilstand)	Ca. 40 min
	3 (Høj hastighedstilstand)	Ca. 25 min
	4 (Maks. hastighedstilstand)	Ca. 16 min
Samlet længde (med batteri BL4025)		1.066 mm
Mærkespænding		D.C. Maks. 36 V - 40 V
Nettovægt		1,7 - 2,3 kg

- På grund af vores kontinuerlige forsknings- og udviklingsprogrammer kan hosstående specifikationer blive ændret uden varsel.
- Specifikationer kan variere fra land til land.
- Vægten inkluderer akku(er), men ikke tilbehør. Vægten af den letteste og tungeste kombination af apparat og akku(er) er vist i tabellen.

Anvendelig akku og oplader

Akku	BL4020* / BL4025* / BL4040* / BL4050F * : Anbefalet batteri
Oplader	DC40RA / DC40RB / DC40RC

- Nogle af de akkuer og opladere, der er angivet ovenfor, er muligvis ikke tilgængelige, afhængigt af hvilket område du bor i.

⚠ADVARSEL: Brug kun de akkuer og opladere, der er angivet ovenfor. Brug af andre akkuer og opladere kan medføre personskaade og/eller brand.

Symboler

Følgende viser de symboler, der muligvis anvendes til udstyret. Sørg for, at du forstår deres betydning før brugen.



Læs betjeningsvejledningen.



Kun for lande inden for EU
På grund af tilstedeværelsen af farlige komponenter i udstyret kan affald af elektrisk og elektronisk udstyr, akkumulatører og batterier have en negativ indvirkning på miljøet og folkesundheden.
Bortskaf ikke elektriske og elektroniske apparater eller batterier sammen med husholdningsaffald!
I overensstemmelse med EF-direktiv om affaldshåndtering af elektrisk og elektronisk udstyr og om akkumulatører og batterier og affaldsakkumulatører og -batterier, og i overensstemmelse med national lovgivning, skal brugt elektrisk udstyr, batterier og akkumulatører opbevares separat og leveres til et separat indsamlingssted for kommunalt affald, der er etableret i henhold til bestemmelserne om miljøbeskyttelse.
Dette er angivet ved symbolet på den krydsede skraldespand, der er placeret på udstyret.

Tilsigtet anvendelse

Denne maskine er beregnet til opsugning af tørt støv.

SIKKERHEDSADVARSLER

Sikkerhedsadvarsler for akku støvsuger

⚠ ADVARSEL: VIGTIGT! LÆS OMHYGGELIGT alle sikkerhedsadvarsler og alle instruktioner FØR BRUGEN. Hvis advarslerne og instruktionerne ikke overholdes, kan det medføre elektrisk stød, brand og/eller alvorlig personskade.

1. Udsæt ikke for regn. Opbevares inden døre.
2. Må ikke benyttes som legetøj. Nøje overvågning er nødvendig, hvis den anvendes af eller i nærheden af børn.
3. Anvend kun som beskrevet i denne brugsvejledning. Anvend kun tilbehørsdele, som anbefales af fabrikanten.
4. Anvend ikke med et beskadiget batteri. Hvis apparatet ikke virker, som det skal, er blevet tabt, beskadiget, efterladt uden døre eller har været tabt i vand, skal det indleveres til et servicecenter.
5. Rør ikke ved apparatet med våde hænder.
6. Stik ikke nogen genstande ind i åbningerne. Anvend ikke med blokerede åbninger. Hold dem fri for støv, fnug, hår og alt, hvad der kan hindre luftstrømmen.
7. Hold hård, løse beklædningsgenstande, fingre og alle kropsdele på god afstand af åbningerne og de bevægende dele.
8. Deaktiver alle kontroller, inden batteriet tages ud.

9. Udvis ekstra forsigtighed ved rengøring på trapper.
10. Anvend ikke til at opsuge brændbare eller letantændelige væsker som for eksempel benzin, og anvend ikke på steder, hvor disse væsker kan forefindes.
11. Anvend kun den oplader, som leveres af fabrikanten, til genoplading.
12. Opsug ikke noget, som brænder eller ryger, for eksempel cigaretter, tændstikker eller varm aske.
13. Anvend ikke, uden at støvposen og/eller fil-trene er sat på plads.
14. Oplad ikke batteriet uden døre.
15. Genoplad kun med den oplader, der er angivet af fabrikanten. En oplader, der er beregnet til én type akku, kan forårsage risiko for brand, hvis den bruges med en anden akku.
16. Brug kun apparater med specifikt udpegede akkuer. Brug af andre akkuer kan medføre risiko for personskade og brand.
17. Når akkuen ikke anvendes, skal du holde den på afstand af andre metalgenstande som f.eks. papirclips, mønter, nøgler, søm, skruer eller andre små metalgenstande, der kan skabe forbindelse fra én terminal til en anden.
18. Ved misbrug kan der sprøjte væske ud fra batteriet. Undgå kontakt. Skyl med vand i tilfælde af kontakt.
19. Undlad at bruge en akku eller et apparat, der er beskadiget eller ændret. Beskadigede eller ændrede batterier kan udvise uforudsigelig adfærd, der resulterer i brand, eksplosion eller risiko for personskade.
20. Undlad at udsætte en akku eller et apparat for brand eller høj temperatur. Eksponering for brand eller temperaturer over 130 °C kan forårsage eksplosion.
21. Følg alle opladningsinstruktioner, og undlad at oplade akkuen eller apparatet uden for det temperaturområde, der er angivet i instruktionerne. Forkert opladning eller ved temperaturer uden for det angivne område kan beskadige batteriet og øge risikoen for brand.

GEM DENNE BRUGSANVISNING.

SUPPLERENDE SIKKERHEDSREGLER

Dette apparat er beregnet til husholdningsbrug.

1. Læs denne brugsvejledning og instruktionerne for opladning grundigt inden brugen.
2. Undlad at samle følgende materialer op:
 - Varme materialer som for eksempel tændte cigaretter eller gnister/metalstøv, som er frembragt ved slibning/skæring af metal
 - Brændbare materialer som for eksempel benzin, fortynder, rensebenzin, petroleum og maling
 - Eksplosive materialer som for eksempel nitroglycerin
 - Antændelige materialer som for eksempel aluminium, zink, magnesium, titan, fosfor eller celluloid

- Vådt snavs, vand, olie eller lignende
- Hårde genstande med skarpe kanter som for eksempel træspåner, metal, sten, glas, søm, knappenåle og barberblade
- Pulver, der størkner, for eksempel cement og toner
- Ledende støv som for eksempel metal eller kulfiber
- Fine partikler som for eksempel betonestøv

Dette kan forårsage brand, personskade og/eller materiel skade.

3. Hold øjeblikkeligt op med brugen, hvis du registrerer noget unormalt.
4. Hvis du kommer til at tabe eller støde til støvsugeren, skal du omhyggeligt efterse den for revner eller anden beskadigelse inden brugen.
5. Hold den på god afstand af ovne og andre varmekilder.
6. Undlad at blokere indsugningsåbningen eller ventilationshullerne.

GEM DENNE BRUGSANVISNING.

Vigtige sikkerhedsinstruktioner for akkuen

1. Læs alle instruktioner og advarselmærkater på (1) akku-opladeren, (2) akkuen og (3) produktet, som anvender akku.
2. Adskil eller ændr ikke akkuen. Det kan muligvis resultere i en brand, overdreven varme eller eksplosion.
3. Hold straks op med anvendelsen, hvis brugstiden er blevet stærkt afkortet. Fortsat anvendelse kan resultere i risiko for overophedning, forbrændinger og endog eksplosion.
4. Hvis De har fået elektrolytvæske i øjnene, skal De straks skylle den ud med rent vand og derefter øjeblikkeligt søge lægehjælp. I modsat fald kan De miste synet.
5. Vær påpasselig med ikke at komme til at kortslutte akkuen:
 - (1) Rør ikke ved terminalerne med noget ledende materiale.
 - (2) Undgå at opbevare akkuen i en beholder sammen med andre genstande af metal, for eksempel søm, mønter og lignende.
 - (3) Udsæt ikke akkuen for vand eller regn.
 Kortslutning af akkuen kan forårsage en kraftig øgning af strømmen, overophedning, mulige forbrændinger og endog værktøjstop.
6. Opbevar og brug ikke maskinen og akkuen på steder, hvor temperaturen muligvis kan nå eller overstige 50 °C.
7. Lad være med at brænde akkuen, selv ikke i tilfælde, hvor den har lidt alvorlig skade eller er fuldstændig udtjent. Akkuen kan eksplodere, hvis man forsøger at brænde den.
8. Slå ikke søm i, skær ikke i, knus, kast, tab ikke akkuen og stød ikke akkuen mod en hård genstand. Sådan adfærd kan muligvis resultere i en brand, overdreven varme eller eksplosion.
9. Anvend ikke en beskadiget akku.

10. De indbyggede litium-ion-batterier er underlagt lovkrav vedrørende farligt gods. Ved kommerciel transport, f.eks. af tredjeparts transportselskaber, skal særlige krav til forpakning og mærkning overholdes. Ved forberedelse af udstyret til forsendelse skal du kontakte en ekspert i farligt gods. Overhold også eventuel mere detaljeret national lovgivning. Tape eller tildæk åbne kontakter, og pak batteriet på en måde, så det ikke kan flytte sig rundt i pakningen.
11. Når akkuen bortskaffes, skal du fjerne den fra maskinen og bortskaffe den på et sikkert sted. Følg de lokale love vedrørende bortskaffelsen af batterier.
12. Brug kun batterierne med de produkter, som Makita specificerer. Hvis batterierne installeres i ikke-kompatible produkter, kan det medføre brand, kraftig varme, eksplosion eller udsivning af elektrolyt.
13. Hvis maskinen ikke skal bruges i længere tid ad gangen, skal du fjerne batteriet fra maskinen.
14. Akkuen kan muligvis under og efter brug være varm, hvilket kan forårsage forbrændinger eller lavtemperaturforbrændinger. Vær påpasselig med håndtering af varme akkuer.
15. Rør ikke terminalen på maskinen straks efter brug, da den bliver varm nok til at forårsage forbrændinger.
16. Sørg for, at spåner, støv eller jord ikke sætter sig fast i akkuens terminaler, huller og riller. Det kan forårsage opvarmning, antændelse, sprængning og funktionsfejl i maskinen eller akkuen, hvilket kan medføre forbrændinger eller personskade.
17. Medmindre maskinen understøtter brugen i nærheden af elektriske højspændingsledninger, skal du ikke anvende akkuen i nærheden af elektriske højspændingsledninger. Det kan muligvis medføre funktionsfejl på eller nedbrud af maskinen eller akkuen.
18. Opbevar batteriet utilgængeligt for børn.

GEM DENNE BRUGSANVISNING.

⚠FORSIGTIG: Brug kun originale batterier fra Makita. Brug af uoriginale Makita-batterier, eller batterier som er blevet ændret, kan muligvis medføre brud på batteriet, hvilket kan forårsage brand, personskade eller beskadigelse. Det ugyldiggør også Makita-garantien for Makita-maskinen og opladeren.

Tips til opnåelse af maksimal akku-levetid

1. Oplad akkuen, inden den er helt afladet. Stop altid værktøjet, og oplad akkuen, hvis De bemærker, at værktøjeffekten er aftagende.
2. Genoplad aldrig en fuldt opladet akku. Overopladning vil afkorte akkuens levetid.
3. Oplad akkuen ved stuetemperatur ved 10 °C - 40 °C. Lad altid en varm akku få tid til at køle af, inden den oplades.
4. Når du ikke anvender akkuen, skal du fjerne den fra maskinen eller opladeren.
5. Oplad akkuen, hvis De ikke skal bruge den i længere tid (mere end seks måneder).

FUNKTIONSBESKRIVELSE

⚠️FORSIGTIG: Sørg altid for at maskinen er slukket, og at akkuen er taget ud, før der udføres justering eller kontrol af funktioner på maskinen.

⚠️FORSIGTIG: Vær påpasselig med ikke at få fingrene i klemme mellem støvsugeren og batteriet som vist på illustrationen, når du sætter batteriet i. Hvis du får fingrene i klemme, kan det medføre personskaade.

► Fig.1

Isætning eller fjernelse af akkuen

⚠️FORSIGTIG: Sluk altid for værktøjet, før De monterer eller fjerner akkuen.

⚠️FORSIGTIG: Hold værktøjet og akkuen fast ved montering eller fjernelse af akkuen. Hvis De ikke holder værktøjet og akkuen fast, kan de glide ud af hænderne på Dem og forårsage beskadigelse af værktøjet og akkuen eller personskaade.

► Fig.2: 1. Rød indikator 2. Knap 3. Akku

Akkuen fjernes ved, at De trækker den ud af værktøjet, idet De skyder knappen på forsiden af akkuen i stilling.

For at montere akkuen skal du justere tungen på akkuen med rillen i huset og skubbe den på plads. Indsæt den hele vejen, indtil den låses på plads med et lille klik. Hvis du kan se den røde indikator, som vist i figuren, er den ikke helt låst.

⚠️FORSIGTIG: Monter altid akkuen helt, indtil den røde indikator ikke længere er synlig. Hvis dette ikke gøres, kan den falde ud af værktøjet ved et uheld, hvorved De selv eller personer i nærheden kan komme til skade.

⚠️FORSIGTIG: Brug ikke magt ved montering af akkuen. Hvis akkuen ikke glider på plads uden problemer, betyder det, at den ikke sættes i på korrekt vis.

Batteribeskyttelsessystem

Maskinen er forsynet med et beskyttelsessystem til maskine/batteri. Systemet afbryder automatisk strømmen til motoren for at forlænge maskinens og batteriets levetid. Maskinen stopper automatisk under driften, hvis maskinen eller batteriet udsættes for et af de følgende forhold.

Overbelastet:

Maskinen/batteriet anvendes på en måde, der får den til at bruge unormalt meget strøm.

Sluk i så fald for maskinen, og stop den anvendelse, der medførte, at maskinen blev overbelastet. Tænd derefter for maskinen for at starte igen.

Hvis maskinen ikke starter, er akkuen overophedet. Lad i så fald akkuen køle af, før du tænder for maskinen igen.

Lav spænding på akkuen:

Den resterende batteriladning er for lav, og maskinen vil ikke fungere. I denne situation skal De fjerne og oplade akkuen.

Indikation af den resterende batteriladning

Tryk på kontrolknappen på akkuen for at få vist den resterende batteriladning. Indikatorlampen lyser i nogle sekunder.

► Fig.3: 1. Indikatorlamper 2. Kontrolknap

Indikatorlamper			Resterende ladning
Tændt	Slukket	Blinker	
■ ■ ■ ■			75% til 100%
■ ■ ■ □			50% til 75%
■ ■ □ □			25% til 50%
■ □ □ □			0% til 25%
▣ □ □ □			Genoplad batteriet.
■ ■ □ □			Der er muligvis fejl i batteriet.
□ □ ■ ■			

BEMÆRK: Afhængigt af brugsforholdene og den omgivende temperatur kan indikationen afvige en smule fra den faktiske ladning.

BEMÆRK: Den første indikatorlampe (længst mod venstre) vil blinke, når batteribeskyttelsessystemet aktiveres.

Afbryderbetjening

► Fig.4: 1. Knap til ændring af sugekraft 2. TÆND/SLUK-knap

For at starte støvsugeren skal du blot trykke på TÆND/SLUK-knappen. Tryk på TÆND/SLUK-knappen igen for at slukke.

Du kan ændre støvsugerens sugekraft i fire trin ved at trykke på knappen til ændring af sugekraft. Hvert tryk på denne knap gentager tilstanden Stille/ Normal/Høj/ Maks. i en cyklus.

Niveau	Indikation	Tilstand
1	☰	Stilletilstand
2	☷	Normal hastighedstilstand
3	☶	Høj hastighedstilstand
4	☵	Maks. hastighedstilstand

BEMÆRK: Du kan ændre sugekraften inden du tænder for støvsugeren.

BEMÆRK: Støvsugeren starter med at fungere med samme sugekraft som den der blev anvendt ved sidste operation.

Tænding af lampen

⚠ FORSIGTIG: Kig aldrig direkte på lyskilden. Lad ikke lyset falde i Deres øjne.

For at tænde lampen skal du trykke på knappen til ændring af sugekraft. Lampen slukkes efter cirka 10 sekunder.

Når støvsugeren er tændt er lampen tændt.

Lampen slukkes cirka 10 sekunder efter støvsugeren slukkes.

BEMÆRK: Når den resterende batteriladning bliver lav begynder lampen at blinke. Tilingen, hvormed lampen begynder at blinke, afhænger af temperaturen på arbejdspladsen og akkuens tilstand.

► **Fig.5:** 1. Knap til ændring af sugekraft 2. TÆND/SLUK-knap 3. Lampe

SAMLING

⚠ FORSIGTIG: Sørg altid for at maskinen er slukket, og at akkuen er taget ud, før der udføres noget arbejde på maskinen.

Beskrivelse af delene

Ekstraudstyr

Højtydende filter, stiver og svampefilter

► **Fig.6:** 1. Kapsel 2. Højtydende filter 3. Stiver og svampefilter

Forfilter eller højtydende filter og HEPA-filter

► **Fig.7:** 1. Kapsel 2. Forfilter 3. Højtydende filter 4. HEPA-filter

BEMÆRKNING: Undlad at bruge det højtydende filter sammen med filteret (ekstraudstyr). Det kan gøre det umuligt at fjerne det højtydende filter fra støvsugeren.

BEMÆRK: Når du bruger det valgfrie forfilter og filter med HEPA-filteret, skal du kun bruge forfilteret over HEPA-filteret. Hvis du bruger forfilter og filter med HEPA-filteret på samme tid, kan sugekraften blive reduceret.

BEMÆRK: Når du bruger HEPA-filteret med det højtydende filter, skal du bruge det højtydende filter med stiveren.

► **Fig.8:** 1. Stiver

Bortskaffelse af støv

⚠ FORSIGTIG: Tøm støvsugeren, inden den bliver for fuld, ellers formindskes sugekraften.

⚠ FORSIGTIG: Sørg for at tømme indersiden af selve støvsugeren for støv. Hvis dette ikke gøres, kan filteret blive tilstoppet, eller motoren kan blive beskadiget.

For at fjerne støv, der sidder fast på filteret i kapslen, skal du banke 4 eller 5 gange på den med hånden.

► **Fig.9:** 1. Kapsel 2. Sugeåbning

Ret sugeåbningen nedad, drej kapslen i pilens retning i diagrammet, og tag kapslen langsomt og lige af.

► **Fig.10:** 1. Kapsel 2. Sugeåbning

BEMÆRK: Der kan falde støv ud, når kapslen åbnes, så sørg for at stille en affaldspose under kapslen.

Fjern opsamlet støv fra indersiden af kapslen og fra det højtydende filter.

► **Fig.11:** 1. Kapsel 2. Højtydende filter

Drej det højtydende filter i pilens retning for at frigøre sikkerhedskanten fra støvsugeren, og træk derefter filteret af.

► **Fig.12:** 1. Sikkerhedskant

BEMÆRK: Når du bruger forfilteret, skal du også følge ovenstående fremgangsmåde.

Fjern det fine støv, og bank let for at løsne støv fra det højtydende filter.

Genmontering

Tilslut højtydende filter. Sørg på dette tidspunkt for at dreje det højtydende filter, så sikkerhedskanten låses godt fast på støvsugeren.

► **Fig.13:** 1. Højtydende filter

► **Fig.14:** 1. Sikkerhedskant

BEMÆRKNING: Sørg altid for at kontrollere, at det højtydende filter er sat korrekt i, inden støvsugeren anvendes. Hvis de ikke er sat korrekt i, vil der trænge støv ind i motorhuset, hvilket vil medføre motorfejl. Hvis det beskrevne problem opstår senere, er det højtydende filter ikke sat korrekt i. Sæt dem korrekt i igen for at løse problemet.

Monter kapslen. Juster mærket på kapslen i forhold til mærket på håndtaget, og drej derefter kapslen fast i pilens retning, indtil den sidder fast.

► **Fig.15:** 1. Mærke 2. Håndtag 3. Kapsel

BEMÆRK: Fjern altid støv i tide, da sugestyrken reduceres, hvis der er for meget støv i støvsugeren.

Eksempler på problemer

Sikkerhedskanten på det højtydende filter er ikke ordentligt låst fast i rillen på støvsugerkabinettet.

► **Fig.16:** 1. Sikkerhedskant 2. Rille på støvsugerkabinettet

Montering eller afmontering af stiver / HEPA-filter

Ekstraudstyr

Til stiver og svampefilter

For at afmontere stiveren, skal du trykke på den nederste del af stiveren med fingrene og udløse rillen på fremspringet på støvsugeren. Afmonter derefter svampefilteret.

► **Fig.17:** 1. Stiver 2. Svampefilter

Stiveren monteres ved at justere stiverens riller med fremspringet på støvsugeren, indtil det klikker på plads. Indsæt svampefilteret mellem stiverne, og sæt det i den oprindelige position.

Til HEPA-filteret

Når du monterer HEPA-filteret, skal du justere HEPA-filterets rille i forhold til fremspringet på støvsugeren. Derefter sættes forfilteret eller det højtydende filter på HEPA-filteret, og drej det for at sætte det ordentligt fast. Følg installationsproceduren i omvendt rækkefølge for at fjerne det.

► **Fig.18:** 1. HEPA-filter 2. Forfilter

► **Fig.19:** 1. HEPA-filter 2. Højtydende filter

ANVENDELSE

⚠FORSIGTIG: Hold dit ansigt på afstand af ventilationsåbningen, når du bruger støvsugeren. Hvis der blæses fremmedlegemer ind i øjnene, kan det medføre personske.

Montering eller fjernelse af støvsugertilbehøret

⚠FORSIGTIG: Når du har monteret tilbehøret, skal du kontrollere, om det sidder forsvarligt fast. Hvis tilbehøret er ufuldstændigt monteret, kan det gå løs og forårsage personske.

⚠FORSIGTIG: Pas på ikke at slå hånden mod væggen mv., når du fjerner tilbehøret.

Når du bruger tilbehør med låsefunktion

For at montere tilbehøret skal du sætte det ind i støvsugerens sugeåbning, indtil det klikker. Sørg for, at tilbehøret er låst.

► **Fig.20:** 1. Sugeåbning 2. Tilbehør med låsefunktion 3. Krog

BEMÆRK: Når du monterer tilbehøret med låsefunktion, skal du sørge for at justere udløserknappen med krogen på tilbehøret. Hvis de ikke er justeret, vil staven ikke blive låst og kan løsne sig fra støvsugeren.

For at fjerne det skal du trække i tilbehøret, idet du trykker på udløserknappen.

► **Fig.21:** 1. Udløserknap 2. Tilbehør med låsefunktion

Når du bruger tilbehør uden låsefunktion

⚠FORSIGTIG: For at tilslutte tilbehøret uden låsefunktion skal du dreje og indsætte det i pilens retning for at sikre, at det sidder fast under brugen. For at frigøre tilbehøret skal du også dreje det og trække det ud i pilens retning. Hvis tilbehøret drejes i den modsatte retning, kan kapslen løsne sig.

► **Fig.22**

Rengøring (sugning)

Mundstykke

Sæt mundstykket på for at rengøre borde, skriveborde, møbler og lignende. Mundstykket glider let på.

► **Fig.23:** 1. Mundstykke

Mundstykke + Forlængerstav (lige rør)

Forlængerstaven sættes ind mellem mundstykket og selve støvsugeren. Dette arrangement er praktisk ved rengøring af et gulv i stående stilling.

► **Fig.24:** 1. Støvsugerkabinet 2. Forlængerstav 3. Mundstykke

Hjørnemundstykke

Monter hjørnemundstykket til rengøring af hjørner og kroge i en bil eller møbler.

► **Fig.25:** 1. Hjørnemundstykke 2. Støvsugerkabinet

Du kan opbevare hjørnemundstykket i dyseholderen.

► **Fig.26:** 1. Dyseholder 2. Hjørnemundstykke

⚠FORSIGTIG: Pas på ikke at klemme fingren (fingrene) mellem hjørnemundstykket og dyseholderen. En finger (fingre), som kommer i klemme, kan forårsage personske.

Hjørnemundstykke + forlængerstav (lige rør)

Anvend dette arrangement på trange steder, hvor selve støvsugeren ikke kan komme ind, eller på højtliggende steder, hvor det er svært at nå op.

► **Fig.27:** 1. Hjørnemundstykke 2. Forlængerstav 3. Støvsugerkabinet

Rengøring uden mundstykke

Det er muligt at opsamle pulver og støv uden et mundstykke.

► **Fig.28**

Til opsugning af støv på et gulvet i stående stilling er det praktisk at fastgøre forlængerstaven til støvsugeren.

► **Fig.29:** 1. Forlængerstav

VEDLIGEHOLDELSE

⚠️ FORSIGTIG: Vær altid sikker på, at værktøjet er slukket, og at akkuen er taget ud, inden De begynder at udføre inspektion eller vedligeholdelse.

Før at opretholde produktets SIKKERHED og PALIDELIGHED må reparationer, enhver anden vedligeholdelse eller justering kun udføres af et autoriseret Makita servicecenter eller fabrikksservicecenter med anvendelse af Makita reservedele.

Efter brugen

⚠️ FORSIGTIG: Hvis støvsugeren stilles op ad væggen uden nogen anden støtte, kan det medføre, at støvsugeren vælter, hvilket kan medføre personskaade eller beskadigelse af støvsugeren.

► Fig.30

Rengøring

BEMÆRKNING: Anvend aldrig benzin, rensebenzin, fortynder, alkohol og lignende. Det kan medføre misfarvning, deformation eller revner.

BEMÆRKNING: Undlad at blæse støv, der sidder fast på støvsugeren og filtrene, ved hjælp af en luftblæser. Det blæser støv ind i kabinettet og forårsager fejl.

BEMÆRKNING: Når du har vasket filtrene, skal du tørre dem grundigt før brug. Utilstrækkeligt tørrede filtre kan medføre dårlig sugning og forkorte motorens levetid.

BEMÆRKNING: Efter rengøring af filtrene og svampefilteret skal du huske at montere dem inden brug. Hvis du bruger støvsugeren uden filtrene og svampefilteret, kommer der støv ind i motorkabinettet, hvilket medfører fejlfunktion.

Støvsugerkabinettet

Aftør fra tid til anden ydersiden (støvsugerkabinettet) af støvsugeren med en klud, som er fugtet med sæbevand. Rengør også sugeåbningen og monteringsområdet for filteret.

► Fig.31

Højtydende filter

Vask filtret med sæbevand, hvis det er tilstoppet af støv og støvsugerens kraft er svag. Tør det grundigt inden ibrugtagning.

► Fig.32

HEPA-filter

Ekstraudstyr

BEMÆRKNING: Undlad at gnutbe eller ridse HEPA-filteret med hårde genstande som f.eks. en børste og et banketræ.

Et tilstoppet HEPA-filter medfører dårlig sugeevne. Rengør filteret fra tid til anden.

Vask af og til HEPA-filteret i vand, skyl og tør det grundigt i skyggen før brug. Vask aldrig filteret i en vaskemaskine.

► Fig.33

Svampefilter

Rengør svampefilteret på følgende måde, når det bliver snavset.

1. Fjern filteret.
2. Træk svampefilteret ud fra mellem stiverne.
3. Rengør svampefilteret ved at banke på det eller vaske det. Hvis du vasker det, skal du tørre det grundigt før brug.
4. Indsæt svampefilteret mellem stiverne, og placer det i den oprindelige position. Sørg for, at hver nederste kant af stiverne holder svampefilteret nede, og at der ikke er mellemrum mellem svampefilteret og sugeåbningen.

► Fig.34: 1. Svampefilter 2. Nederste kant af stiver

Vægmontering til akku støvsuger

Ekstraudstyr

BEMÆRK: Skruen til montering af holderen medfølger ikke. Hav en skrue klar, der passer til det materiale, den skal skrues ind i.

Fastgør vægmonteringen til akku støvsugeren på en hård trævæg, en bjælke eller søjle, hvor vægmonteringen til akku støvsugeren kan fastgøres forsvarligt. Sørg altid for, at vægmonteringen til akku støvsugeren er fastgjort forsvarligt, før du hænger støvsugeren op.

► Fig.35: 1. Vægmontering til akku støvsuger

⚠️ FORSIGTIG: Undlad at hænge støvsugeren voldsomt op på vægmonteringen eller at ophænge andre apparater end støvsugeren.

Fejlfinding

Tjek følgende punkter, før du beder om reparation.

Symptom	Del, der skal undersøges	Reparationsmetode
Svag sugekraft	Er kapslen fuld af støv?	Tøm kapslen for støv.
	Er filteret tilstoppet?	Rengør eller vask filteret.
	Er akkuen afladet?	Oplad akkuen.
Fungerer ikke	Er akkuen afladet?	Oplad akkuen.
Støj og vibrationer	Er filteret tilstoppet?	Rengør eller vask filteret.
	Er apparatets mundstykke, rør eller sugeåbning tilstoppet?	Fjern de tilstoppede genstande i apparatets mundstykke, rør eller sugeåbning.
	Er mundstykkets/rørets indløb blokeret?	Undlad at blokere mundstykkets/rørets indløb.

⚠FORSIGTIG: Forsøg ikke selv at reparere støvsugeren.

EKSTRAUDSTYR

⚠FORSIGTIG: Det følgende tilbehør og ekstraudstyr er anbefalet til brug med Deres Makita maskine, der er beskrevet i denne brugsanvisning. Anvendelse af andet tilbehør eller ekstraudstyr kan udgøre en risiko for personskade. Anvend kun tilbehør og ekstraudstyr til det beskrevne formål.

Hvis De behøver hjælp ved valg af tilbehør eller ønsker yderligere informationer, bedes De kontakte Deres lokale Makita servicecenter.

- Forlængerstav (lige rør)
- Mundstykke
- Tæppemundstykke
- Børste til hylder
- Hjørnemundstykke
- Rund børste
- Fleksibel slange
- Filter
- Forfilter
- Højtydende filter
- HEPA-filter
- Frit mundstykke
- Møbelmundstykke
- Revnemundstykke
- Vægmontering til akku støvsuger
- Hvirveltilbehør
- Værktøjspose
- Original Makita-akku og oplader

BEMÆRK: Nogle ting på denne liste kan være inkluderet i værktøjspakken som standardtilbehør. Det kan være forskellige fra land til land.

Hvirveltilbehør

- **Fig.36:** 1. Udløserknop 2. Krog 3. Lige rør
4. Hvirveltilbehør 5. Sugeåbning

Om hvirveltilbehøret

Brug af støvsugeren med hvirveltilbehøret monteret reducerer mængden af støv, som trænger ind i kapslen, hvilket hjælper med til at forhindre sugekraften i at svækkes. Endvidere er rengøring efter brug også nem.

⚠FORSIGTIG: Sørg altid for at maskinen er slukket, og at akkuen er taget ud, før der udføres noget arbejde på maskinen. Hvis akkuen forbliver isat, kan støvsugeren muligvis starte uventet og medføre tilskadekomst.

⚠FORSIGTIG: Rengør trådsien i hvirveltilbehøret og filtrene i støvsugerenheden, når de bliver tilstoppet. Fortsat brug i den tilstoppede tilstand kan muligvis resultere i ophedning eller røg.

BEMÆRKNING: Brug ikke støvsugeren i vandret eller opadvendt position, når hvirveltilbehøret er fastgjort. Dette kan medføre at trådsien tilstoppes.

BEMÆRKNING: Brug altid støvsugeren med filtrene monteret, selv når du anvender hvirveltilbehøret. Brug af støvsugeren uden filtrene monteret kan muligvis resultere i en motorfunktionsfejl.

BEMÆRK: Kontroller, at hvirveltilbehøret, støvsugeren og det lige rør er ordentligt låst inden brug.

BEMÆRK: Tøm støvbakken i hvirveltilbehøret og kapslen i støvsugeren, når der er ophobet støv. Fortsat brug vil resultere i svækket sugekraft.

BEMÆRK: Du kan også anvende hvirveltilbehøret uden låsefunktion.

BEMÆRK: For at montere eller fjerne hvirveltilbehøret skal du se afsnittet "Montering eller fjernelse af støvsugertilbehøret".

Bortskaffelse af støv

Når der er ophobet støv op til fuld-linjen i støvbakken, skal du følge proceduren nedenfor og bortskaffe støvet.

1. Hold godt fast i støvbakken, tryk og hold på de to knapper og fjern støvbakken.

► **Fig.37:** 1. Fuld-linje 2. Støvbakke 3. Knap (to steder) 4. Trådsi

2. Bortskaf støvet inde i støvbakken og fjern alt støv og pulver, som sidder fast på overfladen af trådsien.

3. Sæt støvbakken helt ind indtil de to knapper låses med et klik.

► **Fig.38:** 1. Støvbakke 2. Knap (to steder)

BEMÆRK: Kontroller, at hvirveltilbehøret, støvsugerens og det lige rør er ordentligt låst inden genstart af betjening.

BEMÆRK: Hvis sugkraften ikke genoprettes, selv efter bortskaffelse af støvet og rengøring af trådsien, skal du kontrollere, om der er ophobet støv i kapslen i støvsugerens, eller der er opstået tilstopning.

BEMÆRK: Støvet kan flyve op, når hvirveltilbehøret bortskaffes. Pas på ikke at få støv i øjnene.

Rengøring

Når støvbakken bliver beskidt, eller trådsien er tilstoppet, skal du fjerne og vaske dem med vand. (Se "Bortskaffelse af støv" angående fjernelsesproceduren.)

Tør delene grundigt inden genmontering og ibrugtagning.

► **Fig.39:** 1. Støvbakke 2. Trådsi

Når trådsien bliver meget beskidt, skal du rengøre den vha. de følgende procedurer.

1. Drej trådsien mod uret og fjern den, mens krogene ikke er låst.

► **Fig.40:** 1. Trådsi 2. Krog

2. Fjern støvet på trådsien og vask den derefter med vand. Tør den omhyggeligt efter dette.

3. Sæt trådsien ind i basen mens krogene er rettet ind med åbningen. Drej trådsien med uret indtil krogene låses med et klik. Sørg for, at trådsien er monteret forsvarligt.

► **Fig.41:** 1. Trådsi 2. Krog 3. Åbning

BRĪDINĀJUMS

- Šo ierīci drīkst izmantot bērni no 8 gadu vecuma un personas ar samazinātām fiziskām, maņu vai psihiskām spējām, vai kam trūkst pieredzes un zināšanu, ja tām nodrošināta uzraudzība un sniegti norādījumi par ierīces drošu izmantošanu un ja ir izprasti saistītie apdraudējumi.
- Bērni nedrīkst spēlēties ar ierīci. Ierīces tīrīšanu un apkopi nedrīkst veikt neuzraudzīti bērni.
- Lai uzzinātu akumulatora tipu, skatiet nodaļu „TEHNISKIE DATI”.
- Lai uzzinātu, kā uzstādīt vai izņemt akumulatoru, skatiet sadaļu „Akumulatora kasetnes uzstādīšana un izņemšana”.
- Lai utilizētu akumulatora kasetni, izņemiet to no darbarīka un likvidējiet drošā vietā. Ievērojiet vietējos noteikumus par akumulatoru likvidēšanu.
- Ja darbarīks netiks lietots ilgu laiku, no tā jāizņem akumulators.
- Nerādiet akumulatora kasetnes īssavienojumu.
- Informāciju par atbilstošiem piesardzības pasākumiem apkopes darbu laikā skatiet nodaļā „APKOPE”.

SPECIFIKĀCIJAS

Modelis:		CL001G
Tilpums		730 mL
Nepārtraukta lietošana (ar akumulatoru BL4025)	1 (klusais režīms)	Aptuv. 80 min
	2 (parasta ātruma režīms)	Aptuv. 40 min
	3 (liela darbības ātruma režīms)	Aptuv. 25 min
	4 (maks. darbības ātruma režīms)	Aptuv. 16 min
Kopējais garums (ar akumulatoru BL4025)		1 066 mm
Nominālais spriegums		Līdzstrāva 36 V–40 V maks.
Neto svars		1,7–2,3 kg

- Nepārtrauktās izpētes un izstrādes programmas dēļ šeit uzrādītās specifikācijas var tikt mainītas bez brīdinājuma.
- Atkarībā no valsts specifikācijas var atšķirties.
- Svarā nav iekļauti piederumi, bet tikai akumulatora kasetne(-es). Vieglākais un smagākais ierīces un akumulatora kasetnes(-ņu) kopējais svars ir norādīts tabulā.

Piemērotā akumulatora kasetne un lādētājs

Akumulatora kasetne	BL4020* / BL4025* / BL4040* / BL4050F *: Ieteicamais akumulators
Lādētājs	DC40RA / DC40RB / DC40RC

- Daži no iepriekš norādītajiem lādētājiem un akumulatora kasetnēm var nebūt pieejami atkarībā no jūsu mītnes reģiona.

▲BRĪDINĀJUMS: Izmantojiet vienīgi iepriekš norādītās akumulatora kasetnes un lādētājus. Cita tipa akumulatora kasetņu un lādētāju izmantošana var radīt traumu un/vai aizdegšanās risku.

Simboli

Tālāk ir attēloti simboli, kas var attiekties uz darbarīka lietošanu. Pirms darbarīka izmantošanas pārlecieties, vai pareizi izprotat to nozīmi.



Izlasiet lietošanas rokasgrāmatu.



Tikai ES valstīm

Tā kā šajā aprīkojumā ir bīstamas sastāvdaļas, elektrisko un elektronisko iekārtu, akumulatoru un bateriju atkritumi var negatīvi ietekmēt apkārtējo vidi un cilvēka veselību. Elektroierīces, elektroniskās ierīces un akumulatorus nedrīkst izmet kopā ar mājsaimniecības atkritumiem!

Saskaņā ar Eiropas direktīvu par elektrisko un elektronisko iekārtu atkritumiem, akumulatoriem un baterijām, kā arī akumulatoru un bateriju atkritumiem un šīs direktīvas pielāgošanu valsts tiesību aktiem elektrisko un elektronisko iekārtu, bateriju un akumulatoru atkritumi ir jāglabā atsevišķi un jānogādā uz sadzīves atkritumu dalītās savākšanas vietu, ievērojot attiecīgos vides aizsardzības noteikumus.

Par to liecina uz iekārtas redzams simbols ar pārsvītrotu atkritumu konteineru uz rītniem.

Paredzētā lietošana

Šis darbarīks ir paredzēts sausu putekļu savākšanai.

DROŠĪBAS BRĪDINĀJUMI

Drošības brīdinājumi attiecībā uz bezvadu tīrītāju

▲BRĪDINĀJUMS: SVARĪGI! PIRMS LIETOŠANAS UZMANĪGI IZLASIET visus drošības brīdinājumus un visus norādījumus. Brīdinājumu un norādījumu neievērošanas gadījumā var rasties elektrotrauma, aizdegšanās un/vai smagas traumas.

1. Neatstājiet lietū. Uzglabājiet telpās.
2. Neļaujiet izmantot kā rotaļlietu. Īpaša uzmanība jāpievērš, kad darbarīku izmanto bērni vai tas tiek izmantots bērnu tuvumā.
3. Izmantojiet tikai tā, kā norādīts šajā rokasgrāmatā. Lietojiet tikai darbarīka ražotāja ieteiktās papildierīces.
4. Neizmantojiet ar bojātu akumulatoru. Ja ierīce nedarbojas, kā paredzēts, tikusi nomesta, ir bojāta, atstāta ārpus telpām vai iemesta ūdenī, nogādājiet to apkopes centrā.
5. Nelietojiet ierīci ar mitrām rokām.
6. Neievietojiet tās atverēs priekšmetus. Nelietojiet ierīci, ja nosprostota kāda no atverēm — tajās nedrīkst būt putekļu, plūksnu, matu un citu svešķermeņu, kas var ierobežot gaisa plūsmu.
7. Netuviniet matus, vaļiņu apģērbu, pirkstus un ķermeņa daļas atverēm un kustīgajām daļām.
8. Pirms akumulatora izņemšanas izslēdziet visas vadības ierīces.
9. Īpaši uzmanieties, tīrot uz kāpnēm.

10. Neizmantojiet viegli uzliesmojošu vai ugunsnedrošu šķidrumu, piemēram, benzīna savākšanai, kā arī nelietojiet ierīci vietās, kur šādi šķidrumi var būt.
11. Uzlādei izmantojiet tikai ražotāja nodrošināto lādētāju.
12. Neizmantojiet degošu vai dūmojošu priekšmetu, piemēram, cigarešu, sērkokciņu vai karstu pelnu savākšanai.
13. Nelietojiet ierīci, ja nav uzstādīts putekļu maiss un/vai filtri.
14. Nelādējiet akumulatoru ārpus telpām.
15. Uzlādei izmantojiet tikai ražotāja norādītos lādētājus. Vienam akumulatoru tipam paredzēta lādētāja izmantošana cita tipa akumulatoru uzlādei var radīt aizdegšanās draudus.
16. Ierīču lādēšanai izmantojiet tikai tām īpaši paredzētos akumulatorus. Cita tipa akumulatoru izmantošana var radīt traumu un aizdegšanās risku.
17. Ja akumulatora bloku neizmantojat, novietojiet to drošā attālumā no metāla priekšmetiem, piemēram, saspraudēm, monētām, atslēgām, naglām, skrūvēm un citiem nelieliem metāla priekšmetiem, kas var savienot spailas.
18. Nepareizas lietošanas gadījumā no akumulatora var iztect šķidrums; nepieskarieties tam. Ja nejausi pieskārties šķidrumam, skarto vietu noskalojiet ar ūdeni.
19. Ja akumulators vai ierīce ir bojāti vai pārveidoti, nelietojiet to. Bojāti vai pārveidoti akumulatori var darboties nepareizi un izraisīt aizdegšanos, sprādzieni vai traumu.
20. Nepakļaujiet akumulatora bloku un ierīci uguns un pārmērīgi augstas temperatūras iedarbībai. Uguns vai temperatūra virs 130 °C var izraisīt sprādzienu.
21. Ievērojiet visus lādēšanas norādījumus un nelādējiet akumulatoru vai ierīci, ja temperatūra pārsniedz norādīto diapazonu. Nepareiza uzlāde vai temperatūra ārpus noteiktā diapazona var sabojāt akumulatoru un palielināt aizdegšanās risku.

SAGLABĀJIET ŠOS NORĀDĪJUMUS.

PAPILDU DROŠĪBAS NOTEIKUMI

Šī ierīce ir paredzēta lietošanai mājsaimniecībā.

1. Pirms lietošanas rūpīgi izlasiet šo rokasgrāmatu un lādētāja rokasgrāmatu.
2. Nevāciet šeit nosauktos materiālus.
 - Karstus priekšmetus, piemēram, aizdegta cigaretes vai dzirksteles/metāla putekļus, kas radušies metāla slīpēšanas/zāģēšanas laikā.
 - Ugunsnedrošas vielas, piemēram, benzīnu, šķīdinātāju, petroleju vai krāsu.
 - Sprādzienbīstamas vielas, piemēram, nitroglicerīnu.
 - Uzliesmojošus materiālus, piemēram, alumīniju, cinku, magniju, titānu, fosforu vai celuloīdu.
 - Mitrus netīrumus, ūdeni, eļļu vai līdzīgas vielas.
 - Cietus priekšmetus ar asām malām, piemēram, koka skaidas, metāla gabalus, akmeņus, stiklu, naglas, saspraudes vai žiletes.
 - Pulveri, kas sacietē, piemēram, cementu vai toneri.

- Vadītspējīgus putekļus, piemēram, metāla vai oglekļa putekļus.
- Sīkas daļiņas, piemēram, betona putekļus.

Šāda rīcība var izraisīt aizdegšanos, traumas un/vai materiālos zaudējumus.

3. Nekavējoties pārtrauciet darbu, ja ievērojat novirzes no normas.
4. Ja tīrītāju nometat vai tas citādi saņem triecienu, pirms tā darbināšanas rūpīgi pārbaudiet, vai tīrītājam nav plaisu vai bojājumu.
5. Nelietojiet to krāsns vai citu karstuma avotu tuvumā.
6. Nenobloķējiet iepļūdes atveri un ventilācijas atveres.

SAGLABĀJIET ŠOS NORĀDĪJUMUS.

Svarīgi drošības norādījumi par akumulatora kasetni

1. Pirms akumulatora lietošanas izlasiet visus norādījumus un brīdinājumus, kuri attiecas uz (1) akumulatora lādētāju, (2) akumulatoru un (3) ierīci, kurā tiek izmantots akumulators.
2. Akumulatora kasetni nedrīkst ne pārveidot, ne izjaukt. Citādi var tikt izraisīta aizdegšanās, pārmērīgs karstums vai sprādziens.
3. Ja akumulatora darbības laiks kļuva ievērojami īsāks, nekavējoties pārtrauciet to izmantot. Citādi, tas var izraisīt pārkarsējumu, uzliesmojumu vai pat sprādzienu.
4. Ja elektrolīts nonāk acīs, izskalojiet tās ar tīru ūdens un nekavējoties griezieties pie ārsta. Tas var izraisīt redzes zaudēšanu.
5. Neradiet īssavienojumu akumulatora kasetnē:
 - (1) Nepieskarieties spaiļēm ar elektrību vadošiem materiāliem.
 - (2) Neuzglabājiet akumulatoru kasetni kopā ar citiem metāla priekšmetiem, tādiem kā naglas, monētas u. c.
 - (3) Nepakļaujiet akumulatora kasetni ūdens vai lietus iedarbībai.

Akumulatora īssavienojums var radīt spēcīgu strāvas plūsmu, pārkarsānu, uzliesmojumu un pat sabojāt akumulatoru.

6. Neglabājiet un neizmantojiet darbarīku un akumulatora kasetni vietās, kur temperatūra var sasniegt vai pārsniegt 50 °C (122 °F).
7. Nededziniet akumulatora kasetni, pat ja tā ir stipri bojāta vai pilnībā nolietota. Akumulatora kasetne ugunī var eksplodēt.
8. Akumulatora kasetni nedrīkst naglot, griezt, saspīest, mest vai nomet, kā arī pa to nedrīkst sist ar cietu priekšmetu. Šādas darbības var izraisīt aizdegšanos, pārmērīgu karstumu vai sprādzienu.
9. Neizmantojiet bojātu akumulatoru.
10. Uz izmantotajiem litiņa jonu akumulatoriem attiecas likumdošanas prasības par bīstamiem izstrādājumiem.

Komerציālā transportēšanā, ko veic, piemēram, trešās puses, transporta uzņēmumi, jāievēro uz iesaiņojuma un marķējuma norādītās īpašās prasības.

Lai izstrādājumu sagatavotu nosūtīšanai, jāsažinās ar bīstamo materiālu speciālistu. Ievērojiet arī citus attiecināmos valsts normatīvus.

Vaļējus kontaktus nosedziet ar līmlenti vai citādi pārklājiet, bet akumulatoru iesaiņojiet tā, lai sainītas nevarētu izkustēties.

11. Lai utilizētu akumulatora kasetni, izņemiet to no darbarīka un likvidējiet drošā vietā. Ievērojiet vietējos noteikumus par akumulatora likvidēšanu.
12. Neizmantojiet šos akumulatorus tikai ar izstrādājumiem, kurus norādījis Makita. Ievietojot šos akumulatorus nesaderīgos izstrādājumos, var rasties ugunsgrēks, pārmērīgs karstums, tie var uzsprāgt vai no tiem var iztecēt elektrolīts.
13. Ja darbarīks netiks lietots ilgu laiku, no tā jāizņem akumulators.
14. Lietošanas laikā vai pēc tās akumulatora kasetne var uzkrāt siltumu, kas var izraisīt apdegumus vai zemas temperatūras apdegumus. Ar karstu akumulatora kasetni apejieties rūpīgi.
15. Nepieskarieties darbarīka izvadam uzreiz pēc lietošanas, jo tas var būt sakarsis un izraisīt apdegumus.
16. Neļaujiet akumulatora kasetnes spaiļēs, atverēs un rievās uzkrāties skaidām, putekļiem vai netīrumiem. Tas var izraisīt sasilšanu, aizdegšanos, sprādzienu instrumenta vai akumulatora kasetnes nepareizu darbību, un lietotājs var gūt apdegumus vai ievainojumus.
17. Neizmantojiet akumulatora kasetni augstsprieguma līniju tuvumā, izņemot gadījumus, kad darbarīks ir piemērots lietošanai augstsprieguma līniju tuvumā. Citādi darbarīks vai akumulatora kasetne var sākt darboties nepareizi vai tikt sabojāti.
18. Glabājiet akumulatoru bērnēm nepieejamā vietā.

SAGLABĀJIET ŠOS NORĀDĪJUMUS.

⚠UZMANĪBU: Lietojiet tikai oriģinālos Makita akumulatorus. Ja lietojat neoriģinālus Makita akumulatorus vai pārveidotus akumulatorus, tie var uzsprāgt un izraisīt aizdegšanos, traumas un materiālos zaudējumus. Tiks anulēta arī Makita darbarīka un lādētāja garantija.

Ieteikumi akumulatora kalpošanas laika pagarināšanai

1. Uzlādējiet akumulatora kasetni, pirms tā ir pilnībā izlādējusies. Vienmēr, kad ievērojāt, ka darbarīka darba jauda zudusi, apturiet darbarīku un uzlādējiet akumulatora kasetni.
2. Nekad neuzlādējiet pilnībā uzlādētu akumulatora kasetni. Pārmērīga uzlāde saīsina akumulatora kalpošanas laiku.
3. Uzlādējiet akumulatora kasetni istabas temperatūrā 10 °C - 40 °C. Karstai akumulatora kasetnei pirms uzlādes ļaujiet atdzist.
4. Kad akumulatora kasetne netiek izmantota, izņemiet to no darbarīka vai lādētāja.
5. Uzlādējiet litiņa jonu akumulatora kasetni, ja to ilgstoši nelietosit (vairāk nekā sešus mēnešus).

FUNKCIJU APRAKSTS

⚠ UZMANĪBU: Pirms darbarīka regulēšanas vai tā darbības pārbaudes vienmēr pārliedzieties, ka darbarīks ir izslēgts un akumulatora kasetne ir izņemta.

⚠ UZMANĪBU: Uzmaniēties, lai, ievietojot akumulatoru, pirksts(-i) nenokļūtu starp tīrītāju un akumulatoru, kā parādīts attēlā. Iespēstus pirkstus var traumēt.

► Att.1

Akumulatora kasetnes uzstādīšana un izņemšana

⚠ UZMANĪBU: Vienmēr pirms akumulatora kasetnes uzstādīšanas vai noņemšanas izslēdziet darbarīku.

⚠ UZMANĪBU: Uzstādot vai izņemot akumulatora kasetni, darbarīku un akumulatora kasetni turiet cieši. Ja darbarīku un akumulatora kasetni netur cieši, tie var izkrist no rokām un radīt bojājumus darbarīkam un akumulatora kasetnei, kā arī izraisīt ievainojumus.

► Att.2: 1. Sarkanās krāsas indikators 2. Pogā 3. Akumulatora kasetne

Lai izņemtu akumulatora kasetni, izvelciet to no darbarīka, pārbrīdot kasetnes priekšpusē esošo pogu.

Lai uzstādītu akumulatora kasetni, salāgojiet akumulatora kasetnes mēlīti ar rievu ietvarā un iebīdīet to vietā. Ievietojiet to līdz galam, līdz tā ar klikšķi nokļūst vietā. Ja redzams attēlā parādītais sarkanais krāsas indikators, tas nozīmē, ka tas nav pilnīgi nokļūst.

⚠ UZMANĪBU: Vienmēr ievietojiet akumulatora kasetni tā, lai sarkanais indikators nebūtu redzams. Pretējā gadījumā tā var nejausi izkrist no darbarīka un izraisīt jums vai apkārtnējiem traumas.

⚠ UZMANĪBU: Neievietojiet akumulatora kasetni ar spēku. Ja kasetne neslīd ietvarā viegli, tā nav pareizi ielikta.

Akumulatora aizsardzības sistēma

Darbarīkam ir darbarīka/akumulatora aizsardzības sistēma. Šī sistēma automātiski izslēdz motora barošanu, lai pagarinātu darbarīka un akumulatora darbību. Darbarīka darbība tiks automātiski apturēta, ja darbarīku vai akumulatoru pakļaus kādam no tālāk norādītajiem apstākļiem.

Pārslodze:

Darbarīku/akumulatoru ekspluatācijas laikā lieto tādā veidā, ka tam vajadzīgs pārmērīgi liels strāvas daudzums. Šādā gadījumā izslēdziet darbarīku un pārtrauciet darbarīka pārslodzi izraisījušo darbu. Tad ieslēdziet darbarīku, lai atsāktu darbu.

Ja darbarīks neieslēdzas, akumulators ir pārkarsis. Šādā gadījumā ļaujiet akumulatoram atdzist pirms atkārtotas darbarīka ieslēgšanas.

Zems akumulatora spriegums:

Akumulatora atlikusī jauda ir pārāk zema, un darbarīks nedarbosies. Šādā gadījumā noņemiet akumulatoru un uzlādējiet.

Atlikusās akumulatora jaudas indikators

Nospiediet akumulatora kasetnes pārbaudes pogu, lai pārbaudītu akumulatora atlikušo uzlādes līmeni. Indikatori iedegsies uz dažām sekundēm.

► Att.3: 1. Indikatora lampas 2. Pārbaudes pogu

Indikatora lampas			Atlikusī jauda
Iededzies	Izslēgts	Mirgo	
■	□	◐	No 75% līdz 100%
■	■	□	No 50% līdz 75%
■	■	□	No 25% līdz 50%
■	□	□	No 0% līdz 25%
◐	□	□	Uzlādējiet akumulatoru.
■	■	□	Iespējama akumulatora kļūme.
□	□	■	

PIEZĪME: Reālā jauda var nedaudz atšķirties no norādītās atkarībā no lietošanas apstākļiem un apkārtnes temperatūras.

PIEZĪME: Akumulatora aizsardzības sistēmas darbības laikā mirgo pirmais (kreisais malējais) indikators.

Slēdža darbība

► Att.4: 1. Sūkšanas jaudas maiņas pogu 2. IESL./IZSL. pogu

Lai ieslēgtu tīrītāju, nospiediet IESL./IZSL. pogu. Lai izslēgtu tīrītāju, vēlreiz nospiediet IESL./IZSL. pogu. Varat mainīt tīrītāja sūkšanas jaudu četras pakāpēs, spiežot sūkšanas jaudas maiņas pogu. Katra šīs pogas nospiešana pārslēdz klusā/parasta ātruma/liela ātruma/maks. darbības ātruma režīmu norādītajā secībā.

Līmenis	Indikators	Režīms
1	☰	Klusais režīms
2	☰	Parasta ātruma režīms
3	☰	Liela ātruma režīms
4	☰	Maks. darbības ātruma režīms

PIEZĪME: Varat mainīt sūkšanas jaudu pirms tīrītāja ieslēgšanas.

PIEZĪME: Ieslēdzot tīrītāju, tiek izmantota tāda pati jauda, kāda tika izmantota iepriekšējās ekspluatācijas laikā.

Lampas ieslēgšana

⚠ UZMANĪBU: Neskatieties gaismā, neļaujiet tās avotam iespīdēt acīs.

Lai ieslēgtu lampu, nospiediet sūkšanas jaudas maiņas pogu. Lampa nodzies pēc aptuveni 10 sekundēm. Kamēr tīrītājs ir ieslēgts, lampa deg. Lampa nodzies aptuveni 10 sekundes pēc tīrītāja izslēgšanas.

PIEZĪME: Kad atlikusī akumulatora jauda ir maza, lampa sāk mirgot. Laiks, kad tieši lampa sāk mirgot, ir atkarīgs no temperatūras darba vietā un akumulatora kasetnes stāvokļa.

► **Att.5:** 1. Sūkšanas jaudas maiņas poga 2. IESL./IZSL. poga 3. Lampa

MONTĀŽA

⚠ UZMANĪBU: Pirms darbarīka regulēšanas vai apkopes vienmēr pārlicinieties, ka darbarīks ir izslēgts un akumulatora kasetne ir izņemta.

Detalju apraksts

Papildu piederumi

Lielas caurlaidības filtrs, atbalsts un sūkļa filtrs

► **Att.6:** 1. Kapsula 2. Lielas caurlaidības filtrs 3. Atbalsts un sūkļa filtrs

Priekšfiltrs vai lielas caurlaidības filtrs un HEPA filtrs

► **Att.7:** 1. Apvalks 2. Priekšfiltrs 3. Lielas caurlaidības filtrs 4. HEPA filtrs

IEVĒRĪBAI: Neizmantojiet lielas caurlaidības filtru ar šo filtru (papildpiederums). Pastāv risks, ka lielas caurlaidības filtru nevarēs atvienot no putekļsūcēja.

PIEZĪME: Izmantojot papildu priekšfiltru un filtru ar HEPA filtru, virs HEPA filtra uzlieciet tikai priekšfiltru. Ja vienlaicīgi lietosit gan priekšfiltru, gan filtru ar HEPA filtru, sūkšanas jauda var samazināties.

PIEZĪME: Izmantojot HEPA filtru kopā ar lielas caurlaidības filtru, lietojiet lielas caurlaidības filtru ar atbalstu.

► **Att.8:** 1. Atbalsts

Atbrīvošanās no putekļiem

⚠ UZMANĪBU: Tīrītāju iztukšojiet pirms tā pārplīdes, jo vājinās iesūkšana.

⚠ UZMANĪBU: No putekļiem noteikti iztīriet arī tīrītāja iekšpusi. Ja to neizdara, var aizsērēt filtrs vai sabojāties motors.

Lai notīrītu putekļus, kas pielipuši apvalka filtram, 4 vai 5 reizes viegli uzsitiet pa apvalku ar roku.

► **Att.9:** 1. Kapsula 2. Iesūces atvere

Pavērsiet iesūkšanas atveri uz leju, pagrieziet apvalku bultas virzienā, kā parādīts attēlā, un lēnām un taisnā stāvoklī atvienojiet apvalku.

► **Att.10:** 1. Kapsula 2. Iesūces atvere

PIEZĪME: Atverot kapsulu, var izbirt putekļi, tādēļ zem apvalka novietojiet atkritumu maisu.

Iztīriet putekļus, kas sakrājušies apvalka iekšpusē un lielas caurlaidības filtrā.

► **Att.11:** 1. Kapsula 2. Jaudīgais filtrs

Pagrieziet jaudīgo filtru bultas virzienā, lai no tīrītāja korpusa atvienotu fiksācijas apmali, pēc tam noņemiet filtru.

► **Att.12:** 1. Fiksācijas apmale

PIEZĪME: Kad izmantojat priekšfiltru, veiciet arī iepriekš aprakstītās darbības.

Iztīriet smalkos putekļus un viegli piesitiet, lai nokratītu putekļus no lielas caurlaidības filtra.

Saikšana

Pievienojiet jaudīgo filtru. Šajā brīdī noteikti pagrieziet jaudīgo filtru tā, lai fiksācijas apmale ir cieši piestiprināta tīrītāja korpusam.

► **Att.13:** 1. Jaudīgais filtrs

► **Att.14:** 1. Fiksācijas apmale

IEVĒRĪBAI: Pirms izmantojat putekļsūcēju, gādāiet, lai lielas caurlaidības filtrs būtu ievietots pareizi. Ja filtrs nebūs ievietots pareizi, putekļi iekļūs motora korpusā un izraisīs motora atteici. Ja rodas tālāk aprakstītā problēma, lielas caurlaidības filtrs ir ievietots nepareizi. Lai novērstu kļūmi, ievietojiet filtru pareizi.

Uzlieciet apvalku. Savietojiet atzīmi uz apvalka ar atzīmi uz roktura un pēc tam spēcīgi pagrieziet apvalku bultas virzienā, līdz tas nofiksējas.

► **Att.15:** 1. Atzīme 2. Rokturis 3. Apvalks

PIEZĪME: Vienmēr laikus iztīriet putekļus, jo iesūkšanas jauda samazinās, ja tīrītājā ir pārāk daudz putekļu.

Kļūmju piemēri

Lielas caurlaidības filtra fiksācijas apmale nav cieši nofiksēta putekļsūcēja korpusa rievā.

► **Att.16:** 1. Fiksācijas apmale 2. Tīrītāja korpusa rievā

Atbalsta/HEPA filtra uzstādīšana vai atvienošana

Papildu piederumi

Atbalstam un sūkļa filtram

Lai noņemtu atbalstu, ar pirkstiem spiediet atbalsta stabiņu apakšējo daļu uz augšu un atvienojiet atbalsta rievu no putekļsūcēja izvirdījuma. Pēc tam atvienojiet sūkļa filtru.

► **Att.17:** 1. Atbalsts 2. Sūkļa filtrs

Lai uzstādītu, savietojiet atbalsta rievu ar putekļsūcēja izvirdījumu un spiediet, līdz detaļas nofiksējas savās vietās.

Ievietojiet sūkļa filtru starp stabiņiem un nolieciet to sākotnējā pozīcijā.

HEPA filtram

Kad uzstādāt HEPA filtru, savietojiet tā rievu ar putekļsūcēja izvirdījumu. Tad uzlieciet uz HEPA filtra priekšfiltru vai lielas caurlaidības filtru un pagrieziet to, līdz tas ir kārtīgi nostiprināts. Lai atvienotu, vieciat uzstādīšanas darbības pretējā secībā.

► **Att.18:** 1. HEPA filtrs 2. Priekšfiltrs

► **Att.19:** 1. HEPA filtrs 2. Lielas caurlaidības filtrs

EKSPLUATĀCIJA

⚠UZMANĪBU: Kad putekļsūcējs ir ieslēgts, gādājiet, lai jūsu seja nebūtu ventilācijas atveres tuvumā. Ja svešķermeņi tiks iepūsti acīs, var rasties traumas.

Tīrītāja piederumu uzstādīšana vai noņemšana

⚠UZMANĪBU: Kad piederums uzstādīts, pārbaudiet, vai tas ir pareizi piestiprināts. Ja piederums ir nepareizi uzstādīts, tas var atvienoties un radīt traumas.

⚠UZMANĪBU: Atvienojiet piederumu uzmanīgi, lai nesasistu roku pret sienu vai citiem priekšmetiem.

Piederums ar bloķēšanas funkciju – izmantošana

Lai uzstādītu piederumu, ievietojiet to putekļsūcēja iesūkšanas atverē, līdz tā nofiksējas vietā. Pārbaudiet, vai piederums ir nofiksēts.

► **Att.20:** 1. Iesūkšanas atvere 2. Piederums ar bloķēšanas funkciju 3. Āķis

PIEZĪME: Uzstādot piederumu ar bloķēšanas funkciju, gādājiet, lai atlaišanas poga būtu savietota ar piederuma āķi. Ja šīs detaļas nebūs savietotas, caurule nenobloķēsies un var atvienoties no putekļsūcēja.

Lai atvienotu piederumu, velciet to, vienlaikus turot nospiestu atlaišanas pogu.

► **Att.21:** 1. Atlaišanas poga 2. Piederums ar bloķēšanas funkciju

Piederums bez bloķēšanas funkcijas – izmantošana

⚠UZMANĪBU: Lai pievienotu piederumu bez bloķēšanas funkcijas, pagrieziet un ievietojiet to ar bultu norādītajā virzienā, lai savienojums lietošanas laikā būtu stingrs. Lai atvienotu sprauslu, pagrieziet un atvienojiet to ar bultu norādītajā virzienā. Griežot piederumu pretējā virzienā, apvalks var kļūt vaļņgs.

► **Att.22**

Tīrīšana (iesūkšana)

Uzgalis

Piestipriniet uzgali, lai notīrītu galdus, solus, mēbeles u. c. Uzgali piestiprināt ir vienkārši.

► **Att.23:** 1. Uzgalis

Uzgalis un pagarinājuma caurule (taisna caurule)

Pagarinājuma caurule iestiprināma starp uzgali un tīrītāju. Šis izkārtojums ir ērts grīdas tīrīšanai stāvus pozīcijā.

► **Att.24:** 1. Tīrītāja korpus 2. Pagarinājuma caurule 3. Uzgalis

Stūru uzgalis

Stūru uzgali izmantojiet stūru un automobiļa vai mēbeļu iedobumu tīrīšanai.

► **Att.25:** 1. Stūru uzgalis 2. Tīrītāja korpus

Stūru uzgali var glabāt uzgaļa turētājā.

► **Att.26:** 1. Uzgaļa turētājs 2. Stūru uzgalis

⚠UZMANĪBU: Uzmanieties, lai pirksts(-i) neiekļūst starp stūru uzgali un uzgaļa turētāju. Iespējot pirkstus, tie var tikt traumēti.

Stūru uzgalis un pagarinājuma caurule (taisna caurule)

Izmantojiet šo konfigurāciju, lai iztīrītu stūrus, kur nav iespējams piekļūt ar tīrītāju, vai augstas, grūti aizsniēzamas vietas.

► **Att.27:** 1. Stūru uzgalis 2. Pagarinājuma caurule 3. Tīrītāja korpus

Tīrīšana bez uzgaļa

Pulveri un putekļus var savākt bez uzgaļa.

► **Att.28**

Lai būtu ērtāk stāvus tīrīt putekļus no grīdas, putekļsūcējam var pievienot pagarinājuma cauruli.

► **Att.29:** 1. Pagarinājuma caurule

APKOPE

⚠UZMANĪBU: Pirms darbarīka pārbaudes vai apkopes vienmēr pārliecinieties, ka darbarīks ir izslēgts un akumulatora kasetne ir izņemta.

Lai saglabātu izstrādājuma DROŠU un UZTICAMU darbību, remontdarbus, apkopi un regulēšanu uzticiet veikt tikai Makita pilnvarotam vai rūpnīcas apkopes centram un vienmēr izmantojiet tikai Makita rezerves daļas.

Pēc lietošanas

⚠UZMANĪBU: Ja tīrītāju novieto pie sienas bez papildu balsta, tas var nokrist, radot traumas vai bojājot pašu tīrītāju.

► **Att.30**

Tīrīšana

IEVĒRĪBAI: Nekad neizmantojiet gazolinu, benzīnu, atšķaidītāju, spirtu vai līdzīgus šķidrumus. Tas var radīt izbalēšanu, deformāciju vai plaisas.

IEVĒRĪBAI: Putekļus, kas pieķērušies tīrītājam un filtriem, neizpūstiet ar gaisa pistoli. Tādējādi putekļi iekļūst korpusā un izraisa darbības traucējumus.

IEVĒRĪBAI: Ja filtri tikuši mazgāti, pirms lietošanas rūpīgi tos nosusiniet. Nepietiekami nosusināti filtri var pasliktināt iesūci un saīsināt motora darbību.

IEVĒRĪBAI: Ja filtri un sūkļa filtrs izņemti tīrīšanas, pirms lietošanas tie ir jāuzstāda atpakaļ. Ja izmantosiet tīrītāju bez filtriem un sūkļa filtru, motora korpusā iekļūs putekļi un radīs darbības traucējumus.

Tīrītāja korpuss

Tīrītāja ārpusi (korpusu) ik pa laikam notīriet ar ziepju ūdeni samitrinātā drānā.

Tīriet arī iesūkšanas atveri un filtru uzstādīšanas vietu.

► Att.31

Lielas caurlaidības filtrs

Mazgājiet filtru ziepju ūdenī, kad tas ir aizsērējis ar putekļiem un tīrītāja jauda samazinās. Pirms lietošanas rūpīgi nosusiniet.

► Att.32

HEPA filtrs

Papildu piederumi

IEVĒRĪBAI: Nekasiet un neskrāpējiet HEPA filtru ar cietiem priekšmetiem, piemēram, suku vai lāpstiņu.

Aizsērējis HEPA filtrs pasliktina sūkšanas veiktspēju. Laiku pa laikam iztīriet filtru.

Ik pa laikam izmazgājiet HEPA filtru ūdenī, izskalojiet to un pirms lietošanas rūpīgi nožāvējiet ēnā. Nekādā gadījumā nemazgājiet filtru veļas mazgājamajā mašīnā.

► Att.33

Sūkļa filtrs

Kad sūkļa filtrs ir netīrs, tīriet to, kā aprakstīts tālāk.

1. Izņemiet filtru.
2. Izvelciet sūkļa filtru starp stabiņiem.
3. Tīriet sūkļa filtru, viegli pasitot vai mazgājot. Ja to mazgājat, pirms lietošanas rūpīgi nosusiniet.
4. Ievietojiet sūkļa filtru starp stabiņiem un nolieciet tā sākotnējā pozīcijā. Pārlicinieties, ka stabiņa katra apakšmala notur sūkļa filtru un ka starp sūkļa filtru un iesūkšanas atveri nav spraugas.

► Att.34: 1. Sūkļa filtrs 2. Stabiņa apakšmala

Bezvadu tīrītāja sienas stiprinājums

Papildu piederumi

PIEZĪME: Komplektā nav iekļauta skrūve turētāja stiprināšanai. Sagādājiet skrūvi, kas piemērota materiālam, pie kura grasāties piestiprināt turētāju.

Bezvadu tīrītāja sienas stiprinājumu pieskrūvējiet pie izturīgas koka sienas, sijas vai statņa, lai varētu cieši piestiprināt bezvadu tīrītāja sienas stiprinājumu. Pirms tīrītāja pakarināšanas pārlicinieties, ka bezvadu tīrītāja sienas stiprinājums ir cieši piestiprināts.

► Att.35: 1. Bezvadu tīrītāja sienas stiprinājums

UZMANĪBU: Nekariniet tīrītāju uz sienas stiprinājuma nevīzīgi (uzmetot vai ar spēku) un nekariniet uz turētāja citus priekšmetus.

Kļūmju novēršana

Pirms vienoties par ierīces remontu, izvērtējiet šādas iespējas.

Pazīme	Pārbaudāmā daļa	Risinājums
Maza iesūces jauda	Vai kapsula nav pilna ar putekļiem?	Iztukšojiet kapsulu.
	Vai nav aizsērējis filtrs?	Iztīriet vai izmazgājiet filtru.
	Vai akumulatora kasetne ir izlādējusies?	Uzlādējiet akumulatora kasetni.
Nedarbojas	Vai akumulatora kasetne ir izlādējusies?	Uzlādējiet akumulatora kasetni.
Troksnis un vibrācija	Vai filtrs nav aizsērējis?	Iztīriet vai izmazgājiet filtru.
	Vai ierīces uzgalis, caurule vai iesūkšanas atvere nav aizsērējuši?	Iztīriet aizsērējumu no ierīces uzgaļa, caurules vai iesūkšanas atveres.
	Vai uzgalis/caurules atvere nav bloķēta?	Nebloķējiet uzgali/caurules atveri.

UZMANĪBU: Nemēģiniet tīrītāju remontēt patstāvīgi.

PAPILDU PIEDERUMI

⚠UZMANĪBU: Šādi piederumi un papildierīces tiek ieteiktas lietošanai ar šajā rokasgrāmatā aprakstīto Makita darbarīku. Izmantojot citus piederumus vai papildierīces, var tikt radīta trauma gūšanas bīstamība. Piederumu vai papildierīci izmantojiet tikai paredzētajam mērķim.

Ja jums vajadzīga palīdzība vai precīzāka informācija par šiem piederumiem, vērsieties savā tuvākajā Makita apkopes centrā.

- Pagarinājuma caurule (taisna caurule)
- Uzgalis
- Uzgalis paklājam
- Plauktu suka
- Stūru uzgalis
- Apaļā suka
- Lokanā šļūtene
- Filtrs
- Priekšfiltrs
- Jaudīgais filtrs
- HEPA filtrs
- Brīvais uzgalis
- Stiprinājuma uzgalis
- Spraugu uzgalis
- Bezvadu tīrītāja sienas stiprinājums
- Piederums "Cyclone"
- Instrumentu somiņa
- Makita oriģinālais akumulators un lādētājs

PIEZĪME: Daži sarakstā norādītie izstrādājumi var būt iekļauti instrumenta komplektācijā kā standarta piederumi. Tie dažādās valstīs var būt atšķirīgi.

Piederums "Cyclone"

- **Att.36:** 1. Atlaišanas poga 2. Āķis 3. Taisnā caurule
4. Piederums "Cyclone" 5. Iesūkšanas atvere

Par piederumu "Cyclone"

Izmantojot putekļsūcēju ar uzstādītu piederumu "Cyclone", apvalkā iekļūst mazāk putekļu, tādējādi novēršot sūkšanas jaudas mazināšanos. Turklāt arī tīrīšana pēc putekļsūcēja izmantošanas ir viegla.

⚠UZMANĪBU: Pirms darbarīka regulēšanas vai apkopes vienmēr pārlicinieties, ka darbarīks ir izslēgts un akumulatora kasetne ir izņemta. Ja akumulatora kasetne ir palikusi putekļsūcējā, tas var negaidīti sākt darboties un radīt traumas.

⚠UZMANĪBU: Notīriet piederuma "Cyclone" sieta filtru un putekļsūcēja filtrus, tiklīdz tie aizsprostojas. Izmantojot putekļsūcēju ar aizsprostotu filtru vai putekļu maisu, putekļsūcējs var uzkarst, vai no tā var izdalīties dūmi.

IEVĒRĪBAI: Kad ir uzstādīts piederums "Cyclone", neizmantojiet putekļsūcēju horizontālā pozīcijā vai vērstu augšup. Citādi var aizsprostoties sieta filtrs.

IEVĒRĪBAI: Putekļsūcēju jāizmanto tikai kopā ar filtriem pat tad, ja ir uzstādīts piederums "Cyclone". Izmantojot putekļsūcēju bez filtriem, var rasties motora darbības traucējumi.

PIEZĪME: Pirms izmantojat putekļsūcēju, gādājiet, lai piederums "Cyclone", putekļsūcējs un taisnā caurule būtu kārtīgi sastiprināti.

PIEZĪME: Iztukšojiet piederuma "Cyclone" putekļu tvertni un putekļsūcēja apvalku, kad tajos ir sakrājušies putekļi. Turpinot izmantot putekļsūcēju šāda stāvoklī, samazināsies tā sūkšanas jauda.

PIEZĪME: Piederumu "Cyclone" varat izmantot arī bez bloķēšanas funkcijas.

PIEZĪME: Lai uzzinātu, kā uzstādīt vai atvienot piederumu "Cyclone", skatiet sadaļu "Putekļsūcēja piederumu uzstādīšana vai atvienošana".

Putekļu izmešana

Kad putekļi ir sasnieguši pilnas putekļu tvertnes atzīmi, veiciet tālāk norādītās darbības un izmetiet putekļus.

1. Stingri turiet putekļu tvertni, turiet nospieštas abas tvertnes pogas un atvienojiet putekļu tvertni.

► **Att.37:** 1. Pilnas tvertnes atzīme 2. Putekļu tvertne 3. Poga (divās vietās) 4. Sieta filtrs

2. Iztukšojiet putekļu tvertni un notīriet pie sieta filtra pielipušos putekļus un pulverveida daļiņas.

3. Līdz galam ievietojiet putekļu tvertni tā, lai divas pogas ar klikšķi nofiksētos savās vietās.

► **Att.38:** 1. Putekļu tvertne 2. Poga (divās vietās)

PIEZĪME: Pirms atsākat putekļsūcēja izmantošanu, gādājiet, lai piederums "Cyclone", putekļsūcējs un taisnā caurule būtu kārtīgi sastiprināti.

PIEZĪME: Ja sūkšanas jauda neatjaunojas pat pēc putekļu izmešanas un sieta filtra notīrīšanas, pārbaudiet, vai putekļsūcēja apvalkā nav sakrājušies vai sasprūduši putekļi.

PIEZĪME: Tirot piederumu "Cyclone", gaisā var pacelties putekļi. Gādājiet, lai acis neieklūtu putekļi.

Tīrīšana

Tiklīdz putekļu tvertne ir piesārņojusies vai sieta filtrs ir aizsprostojies, noņemiet un nomazgājiet tos ar ūdeni. (Lai uzzinātu, kā tos noņemt, skatiet sadaļu "Putekļu izmešana".)

Pirms atkal piestiprināt un sākat izmantot detaļas, kārtīgi nožāvējiet tās.

► **Att.39:** 1. Putekļu tvertne 2. Sieta filtrs

Kad sieta filtrs ir pamatīgi piesārņojies, notīriet to, veicot tālāk norādītās darbības.

1. Grieziet sieta filtru pretēji pulksteņrādītāju kustības virzienam un atvienojiet to, kad āķi ir atbloķēti.

► **Att.40:** 1. Sieta filtrs 2. Āķis

2. Notīriet putekļus no sieta filtra un noskalojiet to ar ūdeni. Pēc tam kārtīgi to nožāvējiet.

3. Ievietojiet sieta filtru tvertnes pamatnē, raugoties, lai āķi būtu savietoti ar attiecīgo atveri. Grieziet sieta filtru pulksteņrādītāju kustības virzienā, līdz brīdim, kad āķi ar klikšķi nofiksējas savās vietās. Gādājiet, lai sieta filtrs būtu cieši piestiprināts.

► **Att.41:** 1. Sieta filtrs 2. Āķis 3. Pievienošana vieta

ĮSPĖJIMAS

- Šį prietaisą leidžiama naudoti vaikams nuo 8 metų amžiaus ir asmenims, turintiems psichinių, jutiminių ar protinių negalių, arba žmonėms, neturintiems patirties bei žinių, su sąlyga, kad jie bus prižiūrimi arba instruktuojami apie tai, kaip saugiai naudoti šį prietaisą, ir supras atitinkamus pavojus.
- Neleiskite vaikams žaisti šiuo prietaisu. Be suaugusiųjų priežiūros vaikams draudžiama valyti ir techniškai prižiūrėti šį prietaisą.
- Akumulatoriaus tipą rasite nurodytą skyriuje „TECHNINĖS SĄLYGOS“.
- Kaip išimti ar įdėti akumuliatorių, skaitykite skyriuje „Akumulatoriaus kasetės įdėjimas ar išėmimas“.
- Kai išmetate akumulatoriaus kasetę, išimkite ją iš įrankio ir išmeskite saugioje vietoje. Vadovaukitės vietos reglamentais dėl akumuliatorių išmetimo.
- Jei įrankis bus ilgą laiką nenaudojamas, akumuliatorių būtina išimti iš įrankio.
- Nesudarykite akumulatoriaus kasetėje trumpojo jungimo.
- Atitinkamą informaciją apie atsargumo priemones atliekant naudotojui techninės priežiūros darbus rasite skyriuje „TECHNINĖ PRIEŽIŪRA“.

SPECIFIKACIJOS

Modelis:		CL001G
Pajėgumas		730 ml
Nepertraukiamas naudojimas (su akumuliatoriumi BL4025)	1 (tylus režimas)	Maždaug 80 min.
	2 (įprasto greičio režimas)	Maždaug 40 min.
	3 (didelio greičio režimas)	Maždaug 25 min.
	4 (maksimalaus greičio režimas)	Maždaug 16 min.
Bendras ilgis (su akumuliatoriumi BL4025)		1 066 mm
Vardinė įtampa		Nuol. sr. maks. 36 V–40 V
Grynasis svoris		1,7 – 2,3 kg

- Atliekame tęsinius tyrimus ir nuolat tobuliname savo gaminius, todėl čia pateikiamos specifikacijos gali būti keičiamos be įspėjimo.
- Skirtingose šalyse specifikacijos gali skirtis.
- Svoris nurodytas be priedų, tačiau įskaičiuojant akumulatoriaus kasetę (-es). Mažiausias ir didžiausias prietaiso ir akumulatoriaus kasetės (-ių) svoris nurodyti lentelėje.

Tinkama akumulatoriaus kasetė ir (arba) įkroviklis

Akumulatoriaus kasetė	BL4020* / BL4025* / BL4040* / BL4050F *: rekomenduojamas akumuliatorius
Įkroviklis	DC40RA / DC40RB / DC40RC

- Atsižvelgiant į gyvenamosios vietos regioną, kai kurios pirmiau nurodytos akumulatoriaus kasetės ir įkrovikliai gali būti neprieinami.

▲ ĮSPĖJIMAS: Naudokite tik akumulatoriaus kasetes ir įkroviklius, kurie nurodyti anksčiau. Naudojant bet kurias kitas akumulatoriaus kasetes ir įkroviklius, gali kilti sužeidimo ir gaisro pavojus.

Simboliai

Toliau yra nurodyti simboliai, kurie gali būti naudojami įrankiai. Prieš naudodami įsitikinkite, kad suprantate jų reikšmę.



Perskaitykite instrukcijų vadovą.



Taikoma tik ES šalims
Kadangi įrangoje yra pavojingų komponentų, panaudota elektrinė ir elektroninė įranga, akumuliatoriai ir baterijos gali turėti neigiamą poveikio aplinkai ir žmonių sveikatai.
Nešalinkite elektros ir elektroninių prietaisų ar baterijų kartu su buitiniėmis atliekomis! Pagal Europos direktyvą dėl elektros ir elektroninės įrangos atliekų bei akumuliatorių ir baterijų ir panaudotų akumuliatorių ir baterijų bei jos pritaikymą nacionaliniams įstatymams, panaudota elektros ir elektroninė įranga, baterijos ir akumuliatoriai turi būti surenkami atskirai ir pristatomi į atskirą buitinių atliekų surinkimo punktą, kuris veikia pagal aplinkos apsaugos taisykles. Tai rodo perbrauktas konteinerio ant ratukų simbolis, pateiktas ant įrangos.

Numatytoji naudojimo paskirtis

Šis įrankis skirtas sausoms dulkėms surinkti.

SAUGOS ĮSPĖJIMAI

Saugos įspėjimai dėl belaidžio siurblio naudojimo

ĮSPĖJIMAS: SVARBU: PRIEŠ PRADĖDAMI NAUDOTI, ATIDŽIAI PERSKAITYKITE visus saugos įspėjimus ir nurodymus. Nesilaikydami toliau pateiktų įspėjimų ir instrukcijų, galite patirti elektros smūgį, gaisrą ir (arba) sunkų sužeidimą.

1. Saugokite įrankį nuo lietaus. Laikykite įrankį patalpoje.
2. Neleiskite vaikams naudoti šį gaminį kaip žaislą. Būtina atidžiai stebėti šį gaminį naudojančius vaikus arba jį naudojant šalia vaikų.
3. Naudokite tik taip, kaip aprašyta šiame vadove. Naudokite tik gamintojo rekomenduojamus priedus.
4. Nenaudokite su sugadintu akumuliatoriumi. Jeigu prietaisas veikia netinkamai, buvo numestas, pažeistas, paliktas lauke arba įkritęs į vandenį, atiduokite jį į techninės priežiūros centrą.
5. Nenaudokite prietaiso, jeigu jūsų rankos drėgnos.
6. Nekiškite jokių daiktų į angas. Nenaudokite, jeigu kuri nors anga yra užkimšta; angose neturi būti dulkių, pūkelių, plaukų ir jokių kitų daiktų, kurie galėtų sutrikdyti oro srautą.
7. Plaukus, laisvus drabužius, pirštus ir kitas kūno dalis laikykite kuo toliau nuo angų ir judamųjų dalių.
8. Prieš išimdami akumuliatorių, išjunkite visus valdiklius.
9. Būkite itin atsargūs, valydami laiptus.

10. Nenaudokite degiems arba sprogiems skysčiams, pavyzdžiui, gazolinui, surinkti ir nenaudokite tose vietose, kuriose gali būti šių medžiagų.
11. **Kraukite tik gamintojo pateiktu krovikliu.**
12. **Nesuirbkite jokių degančių arba rūkstančių daiktų, pavyzdžiui, cigarečių, degtukų arba karštų pelenų.**
13. **Nenaudokite neįdėję dulkių maišelio ir (arba) filtrų.**
14. **Nekraukite akumuliatoriaus lauke.**
15. **Įkraukite naudodami tik gamintojo nurodytą įkroviklį.** Įkroviklis, kuris tinka vienam akumuliatorių tipui įkrauti, gali kelti gaisro pavojų, jei bus naudojamas su kitų tipų akumuliatoriais.
16. **Prietaisus naudokite tik su specialiai jiems skirtais akumuliatoriais.** Naudojant bet kurį kitą akumuliatorių, gali kilti sužeidimo ir gaisro pavojus.
17. **Kai akumuliatorių blokas nėra naudojamas, laikykite jį toliau nuo kitų metalinių daiktų, pavyzdžiui, popieriaus sąvaržėlių, monetų, raktų, vinių, varžtų ir kitų mažų metalinių daiktų, dėl kurių gali kilti trumpasis jungimas tarp kontaktų.**
18. **Netinkamai naudojant iš akumuliatoriaus gali ištekėti skysčio.** Venkite sąlyčio su juo. Jei sąlytis atsitiktinai įvyko, gausiai nuplaukite vandeniu.
19. **Nenaudokite sugedusio ar perdaryto akumuliatoriaus arba prietaiso.** Sugadinti arba modifikuoti akumuliatoriai gali veikti neįprastai, todėl gali kilti gaisras, sprogiimas arba sužalojimo rizika.
20. **Akumuliatorių ar prietaisą saugokite nuo ugnies ar pernelyg aukštos temperatūros.** Dėl ugnies ar 130 °C viršijančios temperatūros gali kilti sprogiimas.
21. **Laikykitės visų įkrovimo nurodymų ir nekraukite akumuliatoriaus ar prietaiso, kai temperatūra neatitinka instrukcijoje nurodyto temperatūros intervalo.** Netinkamai įkraunant arba įkraunant esant kitam, nei nustatytas temperatūros intervalas, gali būti sugadintas akumuliatorius ar padidėti gaisro rizika.

SAUGOKITE ŠIAS INSTRUKCIJAS.

PAPILDOMOS SAUGOS TAISYKLĖS

Šis prietaisas skirtas naudoti tik namų ūkyje.

1. Prieš naudodami įrankį pirmą kartą, įdėmiai perskaitykite šias ir įkroviklio vartotojo instrukcijas.
2. **Nesuirbkite šių medžiagų:**
 - Karštų medžiagų, pavyzdžiui, degančių cigarečių arba kibirkščių / metalo dulkių, susidariusių šlifuojant / pjaunant metalą
 - Degių medžiagų, pavyzdžiui, gazolino, skiediklio, benzino, žibalo arba dažų
 - Sprogių medžiagų, pavyzdžiui, nitroglicerino
 - Degių medžiagų, pavyzdžiui, aliuminio, cinko, magnio, titano, fosforo arba celiulioido
 - Šlapio purvo, vandens, alyvos, tepalo arba panašių medžiagų
 - Kietų daiktų aštriais kraštais, pavyzdžiui, medžio skiedrų, metalų, akmenų, stiklų, vinių, smeigtukų arba skutimo peiliukų

- Miltelių, kurie gali sukietėti, pavyzdžiui, cemento arba spausdintuvų dažų
- Laidžių dulkių, pavyzdžiui, metalo arba anglies
- Smulkių dalelių, pavyzdžiui, betono dulkių

Tokie veiksmai gali sukelti gaisrą, sužeisti ir (arba) padaryti žalos turtui.

3. Pastebėję ką nors neįprasto, tučtuojau nutraukite darbą.
4. Jei numesite ar sutrenksite siurbį, prieš naudojimą atidžiai patikrinkite, ar jis neįskilo ir nesugedo.
5. Nenaudokite įrankio arti vryklės ar kitų šilumos šaltinių.
6. Neužblokuokite įsiurbimo ar ventiliacijos angų.

SAUGOKITE ŠIAS INSTRUKCIJAS.

Svarbios saugos instrukcijos, taikomos akumulatoriaus kasetei

1. Prieš naudodami akumulatoriaus kasetę, perskaitykite visas instrukcijas ir perspėjimus ant (1) akumuliatorių įkroviklio, (2) akumuliatorių ir (3) akumuliatorių naudojančio gaminio.
2. Neardykite ir negadinkite akumulatoriaus kasetės. Dėl to ji gali užsidegti, per daug įkaisti arba sprogti.
3. Jei įrankio darbo laikas žymiai sutrumpėjo, nedelsdami nutraukite darbą su įrankiu. Tai gali kelti perkaitimo, nudegimų ar net sprogdimo pavojų.
4. Jei elektrolitas pateko į akis, plaukite jas tyru vandeniu ir nedelsdami kreipkitės į gydytoją. Gali kilti regėjimo praradimo pavojus.
5. Neužtrumpinkite akumulatoriaus kasetės:
 - (1) Nelieskite kontaktų degiomis medžiagomis.
 - (2) Venkite laikyti akumulatoriaus kasetę kartu su kitais metaliniais daiktais, pavyzdžiui, vinimis, monetomis ir pan.
 - (3) Saugokite akumulatoriaus kasetę nuo vandens ir lietaus.

Trumpasis jungimas akumulatoriuje gali sukelti stiprią srovę, perkaitimą, galimus nudegimus ar net akumulatoriaus gedimą.

6. Nelaikykite ir nenaudokite įrankio ir akumulatoriaus kasetės vietose, kur temperatūra gali pasiekti ar viršyti 50 °C (122 °F).
7. Nedeginkite akumulatoriaus kasetės, net jei yra stipriai pažeista ar visiškai susidėvėjusi. Ugnyje akumulatoriaus kasetė gali sprogti.
8. Akumulatoriaus kasetės nekalkite, nepjaustykite ir nemėtykite ir taip pat jį netrankykite kietais daiktu. Taip elgiantis, ji gali užsidegti, per daug įkaisti arba sprogti.
9. Nenaudokite pažeisto akumulatoriaus.
10. Įdėtoms ličio jonų akumuliatoriams taikomi Pavojingų prekių teisės akto reikalavimai. Komeracinis transportas, pvz., trečiųjų šalių, prekių vežimo atstovų, turi laikytis specialaus reikalavimo ant pakuotės ir ženklavimo.

Norėdami paruošti siųstiną prekę, pasitarkite su pavojingų medžiagų specialistu. Be to, laikykitės galimai išsamesnių nacionalinių reglamentų. Užklijuokite juosta arba padenkite atvirus kontaktus ir supakuokite akumuliatorių taip, kad jį pakuo-
tėje nejudėtų.

11. Kai išmetate akumulatoriaus kasetę, išimkite ją iš įrankio ir išmeskite saugioje vietoje. Vadovaukitės vietos reglamentais dėl akumuliatorių išmetimo.
12. Baterijas naudokite tik su „Makita“ nurodytais gaminiais. Baterijas įdėjus į netinkamus gaminius gali kilti gaisras, gaminys pernelyg kaisti, kilti sprogimas arba pratekėti elektrolitas.
13. Jei įrankis bus ilgą laiką nenaudojamas, akumuliatorių būtina išimti iš įrankio.
14. Darbo metu ir po akumulatoriaus kasetės gali būti įkaitusi ir dėl to nudeginti. Imdami akumulatoriaus kasetes, būkite atsargūs.
15. Tuojau pat po naudojimo nelieskite įrankio gnybtų, nes jie gali būti įkaitę tiek, kad nudegins.
16. Neleiskite, kad į akumulatoriaus kasetės gnybtus, angas ir griovelius patektų drožlių, dulkių ar žemių. Jos gali sukelti kaitimą, užsidegti, sprogti ir sukelti įrankio ar akumulatoriaus kasetės gedimą, dėl ko galima nusideginti ar susižaloti.
17. Jeigu įrankis nėra pritaikytas naudoti šalia aukštos įtampės elektros linijų, akumulatoriaus kasetės nenaudokite šalia aukštos įtampės elektros linijų. Dėl to gali sutrikti įrankio ar akumulatoriaus kasetės veikimas arba jie gali sugesti.
18. Laikykite akumuliatorių vaikams nepasiekiamoje vietoje.

SAUGOKITE ŠIAS INSTRUKCIJAS.

▲PERSPĖJIMAS: Naudokite tik originalų „Makita“ akumuliatorių. Neoriginalaus „Makita“ arba pakeisto akumulatoriaus naudojimas gali nulemti gaisrą, asmens sužalojimą ir pažeidimą. Tai taip pat panaikina „Makita“ suteikiamą „Makita“ įrankio ir įkroviklio garantiją.

Patarimai, ką daryti, kad akumulatorius veiktų kuo ilgiau

1. Pakraukite akumulatoriaus kasetę prieš jai visiškai išsikraunant. Visuomet nustokite naudoti įrankį ir pakraukite akumulatoriaus kasetę, kai pastebite, kad įrankio galia sumažėjo.
2. Niekada nekraukite iki galo įkrautos akumulatoriaus kasetės. Perkraunant trumpėja akumulatoriaus eksploatacijos laikas.
3. Akumulatoriaus kasetę kraukite esant kambario temperatūrai 10 - 40 °C. Prieš pradėdami krauti, leiskite įkautusiai akumulatoriaus kasetei atvėsti.
4. Kai akumulatoriaus kasetės nenaudojate, ją išimkite iš įrankio ar įkroviklio.
5. Įkraukite akumulatoriaus kasetę, jei jos nenaudojate ilgą laiką (ilgiau nei šešis mėnesius).

VEIKIMO APRAŠYMAS

▲ PERSPĖJIMAS: Prieš pradėdami reguliuoti arba tikrinti įrankio veikimą, visuomet būtinai išjunkite įrankį ir išimkite akumuliatoriaus kasetę.

▲ PERSPĖJIMAS: Įkraudami akumuliatorių, būkite atsargūs, kad jūsų pirštas (-ai) neužstrigtų tarp siurblio ir akumuliatoriaus, kaip parodyta paveikslėlyje. Įstrigus pirštui (-ams), galite susižeisti.

► Pav.1

Akumuliatoriaus kasetės uždėjimas ir nuėmimas

▲ PERSPĖJIMAS: Prieš įdėdami arba išimdami akumuliatoriaus kasetę, visada išjunkite įrankį.

▲ PERSPĖJIMAS: Įdėdami arba išimdami akumuliatoriaus kasetę, tvirtai laikykite įrankį ir akumuliatoriaus kasetę. Jeigu įrankį ir akumuliatoriaus kasetę laikysite netvirtai, jie gali išslįsti iš jūsų rankų, todėl įrankis ir akumuliatoriaus kasetė gali būti sugadinti, o naudotojas sužalotas.

► Pav.2: 1. Raudonas sandariklis (indikatorius)
2. Mygtukas 3. Akumuliatoriaus kasetė

Jei norite išimti akumuliatoriaus kasetę, ištraukite ją iš įrankio, stumdami mygtuką, esantį kasetės priekyje.

Jei norite įdėti akumuliatoriaus kasetę, ant akumuliatoriaus kasetės esantį liežuvelį sutapdinkite su korpuso esančiu grioveliu ir įstumkite jį į skirtą vietą. Įstatykite iki pat galo, kad spragtelėdama užsikisėtų. Jeigu matote raudoną sandariklį (indikatorių), kaip parodyta paveikslėlyje, ji nėra visiškai užfiksuota.

▲ PERSPĖJIMAS: Akumuliatoriaus kasetę visada įkiškite iki galo, kol nebematysite raudono sandariklio (indikatoriaus) Priešingu atveju ji gali atsitiktinai iškristi iš įrankio ir sužeisti jus arba aplinkinius.

▲ PERSPĖJIMAS: Nekiškite akumuliatoriaus kasetės įėga. Jeigu kasetė sunkiai lenda, ją kišate netinkamai.

Akumuliatoriaus apsaugos sistema

Įrankyje įrengta įrankio / akumuliatoriaus apsaugos sistema. Ši sistema automatiškai atjungia variklio maitinimą, kad įrankis ir akumuliatorius ilgiau veiktų. Įrankis automatiškai išsijungs darbo metu esant vienai iš toliau nurodytų įrankio arba akumuliatoriaus darbo sąlygų.

Perkrautas:

Įrankis / akumuliatorius naudojamas taip, kad jame neįprastai padidėja elektros srovė. Tokiu atveju atleiskite įrankio gaiduką ir nutraukite darbą, dėl kurio kilo įrankio perkrova. Po to vėl įjunkite įrankį. Jeigu įrankis neįsijungia, reiškia perkaito akumuliatorius. Tokiu atveju palaukite, kol akumuliatorius atvės, paskui vėl galite įjungti įrankį.

Žema akumuliatoriaus įtampa:

Likusi akumuliatoriaus energija per mažą ir įrankis negali veikti. Tokiu atveju išimkite akumuliatorių ir įkraukite jį.

Likusios akumuliatoriaus galios rodymas

Paspauskite akumuliatoriaus kasetės tikrinimo mygtuką, kad būtų rodoma likusi akumuliatoriaus energija. Maždaug trims sekundėms užsidegs indikatorius lemputės.

► Pav.3: 1. Indikatorius lemputės 2. Tikrinimo mygtukas

Indikatorių lemputės			Likusi galia
Šviečia	Nešviečia	Blyksi	
■ ■ ■ ■		▬	75 - 100 %
■ ■ ■ □		▬	50 - 75 %
■ ■ □ □		▬	25 - 50 %
■ □ □ □		▬	0 - 25 %
▬ □ □ □		▬	Įkraukite akumuliatorių.
■ ■ □ □		▬	Galimai įvyko akumuliatoriaus veikimo triktis.
□ □ ■ ■		▬	

PASTABA: Rodmuo gali šiek tiek skirtis nuo faktinės energijos lygio – tai priklauso nuo naudojimo sąlygų ir aplinkos temperatūros.

PASTABA: Veikiant akumuliatoriaus apsaugos sistemai ims mirksėti pirmoji (toliausiai kairėje) indikatorius lemputė.

Jungiklio veikimas

► Pav.4: 1. Siurbimo galios keitimo mygtukas
2. ĮJUNGIMO / IŠJUNGIMO mygtukas

Norėdami įjungti siurbį, tiesiog paspauskite mygtuką ĮJUNGIMO / IŠJUNGIMO. Norėdami išjungti, vėl paspauskite mygtuką ĮJUNGIMO / IŠJUNGIMO. Galite pakeisti siurblio siurbimo galią keturiais žingsniais, paspaudę siurbimo galios pakeitimo mygtuką. Kiekvienu mygtuko paspaudimu cikliškai kartojami tylus / įprastas / didelis / maksimalus režimai.

Lygis	Rodinyis	Režimas
1	▬	Tylus režimas
2	▬	Įprasto greičio režimas
3	▬	Didelio greičio režimas
4	▬	Maksimalaus greičio režimas

PASTABA: Prieš įjungdami siurbį, galite pakeisti siurbimo galią.

PASTABA: Siurblys pradeda veikti tą pačią siurbimo galią, kaip veikė paskutinį kartą.

Lempučių uždegimas

⚠ PERSPĖJIMAS: Nežiūrėkite tiesiai į šviesą arba šviesos šaltinį.

Norėdami įjungti lempučių, paspauskite siurblio galios keitimo mygtuką. Lempučių išsijungia maždaug po 10 sekundžių. Kai siurblys veikia, išsijungia lempučių. Išjungus siurbli, lempučių užgesa maždaug po 10 sekundžių.

PASTABA: Kai likusi akumuliatoriaus galia pradeda sekti, pradeda žybcioti lempučių. Laikas, kuriam praėjus lempučių pradeda žybcioti, priklauso nuo darbo vietoje esančios temperatūros ir akumuliatoriaus kasetės būklės.

► **Pav.5:** 1. Siurbimo galios keitimo mygtukas 2. ĮJUNGIMO / IŠJUNGIMO mygtukas 3. Lempučių

SURINKIMAS

⚠ PERSPĖJIMAS: Prieš darydami ką nors įrankiui visada patikrinkite, ar įrenginys išjungtas, o akumuliatorių kasetė – nuimta.

Dalių aprašymas

Pasirenkamas priedas

Didelio efektyvumo filtras, įdėklas ir kempininis filtras

► **Pav.6:** 1. Kapsulė 2. Didelio efektyvumo filtras 3. Įdėklas ir kempininis filtras

Priešfiltras arba didelio efektyvumo filtras ir HEPA filtras

► **Pav.7:** 1. Kapsulė 2. Priešfiltras 3. Didelio efektyvumo filtras 4. HEPA filtras

PASTABA: Nenaudokite didelio efektyvumo filtro su filtru (pasirenkamas priedas). Didelio efektyvumo filtro gali nepavykti išimti iš siurblio.

PASTABA: Kai naudojate pasirenkamąjį priešfiltrą ir filtrą su HEPA filtru, priešfiltrą naudokite tik uždėję virš HEPA filtro. Jei vienu metu naudojate priešfiltrą ir filtrą su HEPA filtru, siurbimo galia gali būti prastesnė.

PASTABA: Kai naudojate HEPA filtrą su didelio efektyvumo filtru, pastarąjį naudokite su įdėklu.

► **Pav.8:** 1. Įdėklas

Dulkių išmetimas

⚠ PERSPĖJIMAS: Prieš siurblyje susikaupiant per daug dulkių, ištuštinkite jas, nes įsiurbimo galia susilpnės.

⚠ PERSPĖJIMAS: Būtinai pašalinkite dulkes iš siurblio vidinės dalies. Jeigu to nepadarysite, gali užsikimšti filtras arba gali sugesti variklis.

Norėdami, kad prie filtro prilipsios dulės nukristų į kapsulę, patapšnokite per kapsulę ranka 4 arba 5 kartus.

► **Pav.9:** 1. Kapsulė 2. Įsiurbimo anga

Nukreipkite įsiurbimo angą žemyn, pasukite kapsulę paveikslėlyje parodytos rodyklės kryptimi ir lėtai tiesiai ištraukite kapsulę.

► **Pav.10:** 1. Kapsulė 2. Įsiurbimo anga

PASTABA: Atidarius kapsulę, gali išblyti dulės, todėl po kapsulę būtinai būkite pakišę šiukšlių kibirą.

Išvalykite susikaupusias dulkes iš kapsulės vidaus ir didelio efektyvumo filtro.

► **Pav.11:** 1. Kapsulė 2. Didelio efektyvumo filtras

Sukite didelio efektyvumo filtrą rodyklės kryptimi, kad nuo siurblio bloko atkabintumėte apsauginę briauną, tuomet ištraukite filtrą.

► **Pav.12:** 1. Apsauginė briauna

PASTABA: Kai naudojate priešfiltrą, taip pat laikykitės prieš tai apibūdintos procedūros.

Pašalinkite dulkes ir švelniai stuktėkite, kad iškristų dulės iš didelio efektyvumo filtro.

Sumontavimas

Prijunkite didelio efektyvumo filtrą. Šįkart užsukite didelio efektyvumo filtrą taip, kad apsauginė briauna tvirtai užsifiksuotų ant siurblio bloko.

► **Pav.13:** 1. Didelio efektyvumo filtras

► **Pav.14:** 1. Apsauginė briauna

PASTABA: Prieš pradėdami naudoti siurbli, visuomet patikrinkite, ar tinkamai įdėjote didelio efektyvumo filtrą. Jei jie bus uždėti netinkamai, į variklio korpusą gali patekti dulkių ir dėl to variklis gali sugesti. Jei kiltų toliau apibūdinta problema, didelio efektyvumo filtras įdėtas netinkamai. Įdėkite juos iš naujo, kad pašalintumėte problemą.

Pritvirtinkite kapsulę. Sulyginkite ant kapsulės esantį ženklą su ženklu ant rankenos, tuomet tvirtai sukite kapsulę rodyklės kryptimi, kol ji bus saugiai pritvirtinta.

► **Pav.15:** 1. Ženklas 2. Rankena 3. Kapsulė

PASTABA: Visuomet iš anksto pašalinkite dulkes, nes jei siurblyje bus per daug dulkių, sumažės įsiurbimo galia.

Problemų pavyzdžiai

Didelio efektyvumo filtro apsauginė briauna nėra tvirtai užfiksuota siurblio korpuso griovelyje.

► **Pav.16:** 1. Apsauginė briauna 2. Siurblio korpuso griovelis

Įdėklo / HEPA filtro įdėjimas arba išėmimas

Pasirenkamas priedas

Informacija dėl įdėklo ir kempininio filtro

Norėdami išimti įdėklą, pirštais stumkite apatinę įdėklo atramų dalį į viršų ir atlaisvinkite jos griovelį nuo iškyšos siurblyje. Tada išimkite kempininį filtrą.

► **Pav.17:** 1. Įdėklas 2. Kempininis filtras

Norėdami įdėti, sulygiuokite griovelius ant įdėklo su iškyša ant siurblio ir stumkite, kol spragtelės.

Įdėkite kempininį filtrą tarp atramų ir nustatykite jį į pradinę padėtį.

Informacija dėl HEPA filtro

Kai įdedate HEPA filtrą, jo griovelį sutapdinkite su iškyša ant siurblio. Tada uždėkite priešfiltrą arba didelio efektyvumo filtrą ant HEPA filtro ir sukite, kad užfiksuotumėte. Jei norite išimti, laikykites įdėjimo procedūros atvirkščia tvarka.

► **Pav.18:** 1. HEPA filtras 2. Priešfiltras

► **Pav.19:** 1. HEPA filtras 2. Didelio efektyvumo filtras

NAUDOJIMAS

▲ PERSPĖJIMAS: Kai naudojate siurblį, neprikiškite veido pernelyg arti oro vėdinimo angos. Į akis nupūtus pašalinių medžiagų galima sužaloti.

Siurblio priedo montavimas ir nuėmimas

▲ PERSPĖJIMAS: Pritvirtinę priedą patikrinkite, ar jis patikimai įsitvirtino. Jei priedą pritvirtinote netinkamai, jis gali nukristi ir sužaloti.

▲ PERSPĖJIMAS: Būkite atsargūs, kad nuimdami priedą nestuktelėtumėte ranka į sieną ir pan.

Priedo naudojimas su užrakinimo funkcija

Ilginamąjį vamzdį pritvirtinsite įstatę jį į siurblio įsiurbimo angą, kol išgirsite spragtelėjimą. Patikrinkite, ar priedas įsitvirtino.

► **Pav.20:** 1. Įsiurbimo anga 2. Priedas su užrakto funkcija 3. Kablys

PASTABA: Įdėdami priedą su užrakto funkcija, sulygiuokite atleidimo mygtuką su priedo kablyu. Jų nesutapdinus, vamzdis nebus užfiksuotas ir gali nukristi nuo siurblio.

Norėdami išimti, traukite priedą, tuo pat metu spausdami atlaisvinimo mygtuką.

► **Pav.21:** 1. Atlaisvinimo mygtukas 2. Priedas su užrakto funkcija

Priedo naudojimas be užrakinimo funkcijos

▲ PERSPĖJIMAS: Antgalį be užrakto funkcijos prijungsite sukdami jį ir stumdami rodyklės kryptimi, kad būtų saugiai prijungtas naudojimo metu. Norėdami atjungti priedą, sukite ir jį ištraukite taip pat rodyklės kryptimi. Jei priedą yra sukamas priešinga kryptimi, gali atsilaisvinti kapsulė.

► **Pav.22**

Valymas (siurbimas)

Antgalis

Norėdami išvalyti stalus, suolus, baldus ir t. t., pritvirtinkite antgalį. Antgalį galima lengvai užmauti.

► **Pav.23:** 1. Antgalis

Antgalis bei ilginamasis vamzdis (tiesus vamzdis)

Ilginamasis vamzdis tvirtinamas prie siurblio ir prie antgalio. Jis yra labai patogus grindims valyti stovint.

► **Pav.24:** 1. Siurblio korpusas 2. Ilginimo lazdelė 3. Antgalis

Kampinis antgalis

Norėdami valyti kampus ir siaurus automobilio ar baldų plyšius, uždėkite kampinį antgalį.

► **Pav.25:** 1. Kampinis antgalis 2. Siurblio korpusas

Kampinį antgalį galite laikyti antgalio laikiklyje.

► **Pav.26:** 1. Antgalio laikiklis 2. Kampinis antgalis

▲ PERSPĖJIMAS: Būkite atsargūs, kad pirštas (-ai) neįstrigtų tarp kampinio antgalio ir antgalio laikiklio. Įstrigus pirštui (-ams), galite susižeisti.

Kampinis antgalis ir ilginamasis vamzdis (tiesus vamzdis)

Siauros vietoms, kur siurblys negali įsisprausti, ar aukštomis vietoms, kur sunku pasiekti, naudokite šį ilginamąjį vamzdį.

► **Pav.27:** 1. Kampinis antgalis 2. Ilginimo lazdelė 3. Siurblio korpusas

Valymas nenaudojant antgalio

Galite surinkti miltelius ir dulkes nenaudodami antgalio.

► **Pav.28**

Norint surinkti ant grindų nusėdusias dulkes stovint, dirbti bus patogų pritvirtinus ilginamąjį vamzdį prie siurblio.

► **Pav.29:** 1. Ilginimo lazdelė

TECHNINĖ PRIEŽIŪRA

▲ PERSPĖJIMAS: Visuomet įsitikinkite, ar įrankis yra išjungtas ir akumuliatoriaus kasetė yra nuimta prieš atlikdami apžiūrą ir priežiūrą.

Gaminį taisyti, apžiūrėti ar vykdyti bet kokią kitą priežiūrą ar derinimą turi įgaliotasis kompanijos „Makita“ techninės priežiūros centras, kad gaminys būtų SAUGUS ir PATIKIMAS, reikia naudoti tik kompanijos „Makita“ pagamintas atsargines dalis.

Po naudojimo

▲ PERSPĖJIMAS: Pastačius siurblį prie sienos be jokios kitos atramos, siurblys gali nukristi ir sužaloti arba jis gali būti sugadintas.

► **Pav.30**

Valymas

PASTABA: Niekada nenaudokite gazolino, benzino, tirpiklio, spirito arba panašių medžiagų. Gali atsirasti išblukimų, deformacijų arba įtrūkimų.

PASTABA: Nenupūskite ant siurblio ir filtrų prilipusių dulkių orpūte. Ji pripučia dulkių į korpusą ir sukelia gedimų.

PASTABA: Išplovę filtrus, prieš naudodami juos gerai išdžiovinkite. Jei filtrai bus nepakankamai sausi, gali sumažėti įsiurbimo galia ir sutrumpėti variklio naudojimo laikas.

PASTABA: Išvalę filtrus ir kempininį filtrą, prieš naudojimą būtinai juos įdėkite. Jeigu naudosite siurbį be filtrų ir kempininio filtro, dulkės pateks į variklio korpusą ir sukels gedimą.

Siurblio korpusas

Retkarčiais nuvalykite siurblio išorę (siurblio korpusą), naudodami muiliname vandenyje sudrėkintą šluostę. Taip pat išvalykite siurbimo angą ir filtro montavimo sritį.

► Pav.31

Didelio efektyvumo filtras

Kai filtras užkemšamas dulkėmis ir siurbimo galia sumažėja, išplaukite filtrą muiluotu vandeniu. Prieš naudodami, visiškai jį išdžiovinkite.

► Pav.32

HEPA filtras

Pasirenkamas priedas

PASTABA: Netrinkite arba negrandykite HEPA filtro kietais daiktais, pvz., šepčiais ar mentelėmis.

Užsikimšus HEPA filtrui, sumažėja siurbimo galia. Retkarčiais išvalykite filtrą.

Retkarčiais išplaukite HEPA filtrą vandenyje, išskalaukite ir, prieš naudodami, visiškai išdžiovinkite pavėsyje. Niekada neplaukite filtro indaplovėje.

► Pav.33

Trikčių šalinimas

Prieš kreipdamiesi dėl remonto, patikrinkite šiuos punktus.

Požymis	Tikrintina sritis	Ištaisymo būdas
Silpna įsiurbimo galia	Ar kapsulė užpildyta dulkių?	Pašalinkite dulkes iš kapsulės.
	Ar neužsikimšęs filtras?	Išvalykite ar išplaukite filtrą.
	Ar išsikrovė akumuliatoriaus kasetė?	Įkraukite akumuliatoriaus kasetę.
Neveikia	Ar išsikrovė akumuliatoriaus kasetė?	Įkraukite akumuliatoriaus kasetę.
Triukšmas ir vibracija	Ar neužsikimšęs filtras?	Išvalykite ar išplaukite filtrą.
	Ar neužsikimšęs prietaiso antgalis, vamzdis arba įsiurbimo anga?	Pašalinkite prietaiso antgalį, vamzdį arba įsiurbimo angą užkimšusius objektus.
	Ar neužsikimšęs antgalis / vamzdžio anga?	Neužkimškite antgalio / vamzdžio angos.

▲PERSPĖJIMAS: Nebandykite taisyti siurblio patys.

Kempininis filtras

Kai kempininis filtras tampa nešvarus, išvalykite jį, atlikdami šiuos veiksmus.

1. Išimkite filtrą.
2. Ištraukite kempininį filtrą iš tarp atramų esančios srities.
3. Išvalykite kempininį filtrą pabaksnodami arba išplaudami. Jeigu jį plaunate, prieš naudojimą gerai išdžiovinkite.
4. Įdėkite kempininį filtrą tarp atramų ir nustatykite jį į pradinę padėtį. Patikrinkite, ar kiekvienas atramos apatinis kraštas prilaiko kempininį filtrą ir ar nėra tarpo tarp kempininio filtro ir siurbimo angos.

► Pav.34: 1. Kempininis filtras 2. Atramos apatinis kraštas

Sieninis belaidžio siurblio stovas

Pasirenkamas priedas

PASTABA: Laikiklio tvirtinimo varžto komplekte nėra. Pasiruoškite varžtą, tinkantį norimai prisukti medžiagai.

Pritvirtinkite sieninį belaidžio siurblio stovą prie kietos medinės sienos, sijos arba statomsčio, kur bus galima gerai pritvirtinti belaidžio siurblio stovą. Prieš pakabinami siurbį, visada patikrinkite, ar sieninis belaidžio siurblio stovas gerai pritvirtintas.

► Pav.35: 1. Sieninis belaidžio siurblio stovas

▲PERSPĖJIMAS: Per jėgą nekabinkite siurblio ant sieninio stovo – stovą naudokite tik siurbliui kabinti.

PASIRENKAMI PRIEDAI

⚠️ PERSPĖJIMAS: Šiuos papildomus priedus arba įtaisus rekomenduojama naudoti su šioje instrukcijoje nurodytu „Makita“ bendrovės įrankiu. Naudojant bet kokius kitus papildomus priedus arba įtaisus, gali kilti pavojus sužeisti žmones. Naudokite tik nurodytam tikslui skirtus papildomus priedus arba įtaisus.

Jeigu norite daugiau sužinoti apie tuos priedus, kreipkitės į artimiausią „Makita“ techninės priežiūros centrą.

- Ilginamasis vamzdis (tiesus vamzdis)
- Antgalis
- Antgalis kilimams valyti
- Šepetėlis lentynoms valyti
- Kampinis antgalis
- Apvalus šepetėlis
- Lanksti žarna
- Filtras
- Priešfiltras
- Didelio efektyvumo filtras
- HEPA filtras
- Laisvas antgalis
- Antgalis sėdynėms
- Plyšių antgalis
- Sieninis belaidžio siurblio stovas
- Siurblio priedas
- Krepšys įrankiui
- Originalus „Makita“ akumuliatorius ir įkroviklis

PASTABA: Kai kurie sąrašė esantys priedai gali būti pateikti įrankio pakuotėje kaip standartiniai priedai. Jie įvairiose šalyse gali skirtis.

Siurblio priedas

- **Pav.36:** 1. Atlaisvinimo mygtukas 2. Kablys
3. Tiesusis vamzdis 4. Siurblio priedas
5. Įsiurbimo anga

Apie siurblio priedą

Naudojant valytuvą su siurblio priedu, sumažinamas į kapsulę patenkančių dulkių kiekis, o tai mažina siurbimo jėgos silpnėjimą. Be to, po naudojimo lengviau valyti.

⚠️ PERSPĖJIMAS: Prieš darydami ką nors įrankiui, visada patikrinkite, ar įrenginys išjungtas, o akumuliatorių kasetė nuimta. Jei akumuliatorių kasetė lieka įdėta, valytuvus gali netikėtai įsijungti ir sužeisti.

⚠️ PERSPĖJIMAS: Išvalykite siurblio priedo tinklinį filtrą ir filtrus, jei jie užsikemša. Tolesnis naudojimas esant užsikimšimui gali sukelti perkaitimą ir dūmus.

PASTABA: Kai prijungtas siurblio priedas, nenaudokite siurblio horizontalioje ar į viršų nukreiptoje padėtyje. Dėl to gali užsikimšti tinklinis filtras.

PASTABA: Visuomet naudokite valytuvą su filtrais, net kai prijungtas siurblio priedas. Naudojant valytuvą be įdėtų filtrų, gali sugesti variklis.

PASTABA: Prieš naudodami patikrinkite, ar siurblio priedas, valytuvus ir tiesusis vamzdis yra tinkamai įtvirtinti.

PASTABA: Ištuštinkite siurblio priedo dulkių dėklą ir valytuvo kapsulę, jei susikaupė dulksė. Toliau naudojant sumažės įsiurbimo galingumas.

PASTABA: Taip pat galite naudoti siurblio priedą be užrakto funkcijos.

PASTABA: Prieš siurblio priedo sumontavimą ar išmontavimą, peržiūrėkite skyrių „Siurblio priedo įdėjimas ir išėmimas“.

Dulkių išmetimas

Kai dulkių pripildyta iki dulkių dėklo pripildymą žyminčios linijos, pašalinkite dulkes pagal toliau aprašytą procedūrą.

1. Tvirtai laikykite dulkių dėklą, paspauskite ir laikykite du mygtukus ir išimkite dulkių dėklą.
► **Pav.37:** 1. Pripildymo linija 2. Dulkių dėklas
3. Mygtukas (dvi padėty) 4. Tinklinis filtras

2. Išmeskite dulkes iš dulkių dėklo ir pašalinkite visas prie tinklinio filtro prilipusias dulkes bei purvą.

3. Dulkių dėklą įdėkite iki galo, kol du mygtukai jį užfiksuos trakstelėdami.

- **Pav.38:** 1. Dulkių dėklas 2. Mygtukas (dvi padėty)

PASTABA: Prieš pradėdami dirbti, patikrinkite, ar siurblio priedas, valytuvus ir tiesusis vamzdis yra tinkamai įtvirtinti.

PASTABA: Jei po dulkių išmetimo ir tinklinio filtro išvalymo siurbimo jėga neatsinaujina, patikrinkite, ar nėra susikaupusių dulkių kapsulėje, ar nėra užsikimšimo.

PASTABA: Dulksė gali išsklisti, kai šalinatė iš siurblio priedo. Būkite atsargūs, kad dulkių nepatektų į akis.

Valymas

Jei dulkių dėklas užsiteršia ar tinklinis filtras užsikemša, išimkite juos ir plaukite vandeniu. (Žiūrėkite skyrių „Dulkių išmetimas“.)

Prieš įdėdami atgal ir naudodami, išdžiovinkite detales.

- **Pav.39:** 1. Dulkių dėklas 2. Tinklinis filtras

Kai tinklinis filtras stipriai užsiteršia, valykite jį, kaip aprašyta toliau.

1. Tinklinį filtrą pasukite prieš laikrodžio rodyklę, kai kabliai yra atkabinti.

- **Pav.40:** 1. Tinklinis filtras 2. Kablys

2. Pašalinkite dulkes nuo tinklinio filtro, po to plaukite jį vandeniu. Po to gerai išdžiovinkite.

3. Įdėkite tinklinį filtrą į pagrindą, kai kabliai yra nukreipti į angą. Tinklinį filtrą pasukite pagal laikrodžio rodyklę, kol kabliai užsirakins trakstelėdami. Patikrinkite, ar tinklinis filtras yra saugiai įdėtas.

- **Pav.41:** 1. Tinklinis filtras 2. Kablys 3. Anga

HOIATUS

- Seda seadet võivad kasutada 8-aastased ja vanemad lapsed ning füüsiliste, sensoorsete või vaimsete puuetega või puudulike kogemuste ja teadmistega isikud, juhul kui nad on järelevalve all või kui neid on õpetatud seadet ohutult kasutama ja nad mõistavad seadme kasutamiseiga kaasnevaid ohtusid.
- Lapsed ei tohi seadmega mängida. Lapsed ei tohi seadet puhastada ega hooldada ilma järelevalveta.
- Seadmes kasutatava aku tüübi leiata peatükist „TEHNILISED ANDMED”.
- Aku paigaldamise või eemaldamise juhised leiata jaotisest „Akukasseti paigaldamine või eemaldamine”.
- Kasutuskõlbmatuks muutunud akukasseti kõrvaldamiseks eemaldage see tööriistast ja viige selleks ette nähtud kohta. Järgige kasutuskõlbmatuks muutunud aku kõrvaldamisel kohalikke eeskirju.
- Kui tööriista ei kasutata pika ajaperioodi jooksul, tuleb aku tööriistast eemaldada.
- Ärge tekitage akukassetis lühist.
- Üksikasjalikku teavet hooldamise ajal järgitavate ettevaatusabinõude kohta leiata peatükist „HOOLDAMINE”.

TEHNILISED ANDMED

Mudel:	CL001G	
Mahutavus	730 mL	
Pidev kasutamine (akuga BL4025)	1 (vaikne režiim)	Umbes 80 min
	2 (tavalise kiiruse režiim)	Umbes 40 min
	3 (suure kiiruse režiim)	Umbes 25 min
	4 (max kiiruse režiim)	Umbes 16 min
Üldpikkus (akuga BL4025)	1 066 mm	
Nimipinge	Alalisvool 36 V – 40 V max	
Netokaal	1,7 - 2,3 kg	

- Meie pideva uuringu- ja arendusprogrammi tõttu võidakse tehnilisi andmeid muuta ilma sellest ette teatamata.
- Tehnilised andmed võivad riigiti erineda.
- Kaal ei sisalda lisatarvikuid peale akukasseti. Seadme ja akukasseti kõige kergem ja raskem kombineeritud kaal on näidatud tabelis.

Sobiv akukassett ja laadija

Akukassett	BL4020* / BL4025* / BL4040* / BL4050F *: Soovituslik aku
Laadija	DC40RA / DC40RB / DC40RC

- Mõned eespool loetletud akukassetid ja -laadijad ei pruugi olla teie riigis saadaval.

⚠ HOIATUS: Kasutage ainult ülalpool loetletud akukassette ja laadureid. Muude akukassetide ja laadurite kasutamine võib tekitada vigastusi ja/või tulekahju.

Sümbolid

Alljärgnevalt kirjeldatakse tingimärke, mida võidakse seadmetel kasutada. Enne seadme kasutamist tehke endale selgeks nende tähendus.



Lugege juhendit.



Ni-MH
Li-ion

Ainult EL-i riikide puhul
Seadmes sisalduvate ohtlike osade tõttu võivad elektri- ja elektroonikaseadmete jäätmel, akud ja patareid avaldada negatiivset mõju keskkonnale ja inimeste tervisele. Elektri- ja elektroonikaseadmeid ega akusid ei tohi kõrvaldada koos olmejäätmetega!
Euroopa elektri- ja elektroonikaseadmete jäätmel, akude ja patareide ning nende jäätmel direktiivi ja riiklikku õigusesse ülevõtmise kohaselt tuleb elektri- ja elektroonikaseadmete, akude ja patareide jäätmel koguda eraldi ning viia eraldiseisvasse olmejäätmete kogumispunkti, mis tegutseb koosõlas keskkonnakaitse eeskirjadega. Sellele osutab seadmele paigaldatud läbikriipsutatud ratastega prügikasti sümbol.

Kavandatud kasutus

Tööriist on ette nähtud tolmu kogumiseks.

OHUTUSHOIATUSED

Juhtmeta tolmuimeja ohutusnõuded

⚠ HOIATUS: ÄÄRMISELT OLULINE ON ENNE KASUTAMIST lugeda tähelepanelikult läbi kõik ohutushoiatused ja juhised. Hoiatuste ja juhtnõuete mittejärgmine võib põhjustada elektrišokki, tulekahju ja/või tõsisid vigastusi.

1. Ärge jätke vihma kätte. Hoidke siseruumides.
2. Ärge lubage kasutada mänguasjana. Olge tähelepanelik, kui seadet kasutavad lapsed või kasutatakse laste lähedal.
3. Kasutage ainult vastavalt antud kasutusjuhendis toodud juhistele. Kasutage ainult tootja soovitatud lisatarvikuid.
4. Ärge kasutage seadet kahjustatud akuga. Kui seade ei tööta korralikult, on maha kukkunud, kahjustatud, välistingimustesse jäetud või vette kukkunud, viige see remondikeskusse.
5. Ärge käsitage seadet märgade kätega.
6. Ärge asetage esemeid avadesse. Blokeeritud avade korral ei tohi tolmuimejat kasutada; hoidke puhas tolmust, kiududest, karvadest ja muust, mis võiks blokeerida õhuvoolu.
7. Hoidke juuksed, lahtised riideesemed, sõrmed ja kõik kehaosad avadest ning liikuvatest osadest eemal.
8. Enne aku eemaldamist lülitage kõik juhtseadised väljalülitatud asendisse.
9. Treppide puhastamisel olge eriti ettevaatlik.

10. Ärge imege seadmesse kergestiühtivaid vedelikke (nt bensiini) ega töötage nende läheduses.
11. Kasutage laadimiseks ainult komplektis olevat laadijat.
12. Ärge imege seadmesse põlevaid ega suitsevad esemeid, nt sigarette, tikke või kuuma tuhka.
13. Ärge kasutage tolmuokotita ega filtriteta.
14. Ärge laadige akut välistingimustes.
15. Kasutage laadimiseks ainult tootja heaks kiidetud laadijat. Üht tüüpi akuga kasutamiseks sobiv laadija võib mõnda teist tüüpi akuga kasutamisel tuua kaasa süttimisohu.
16. Kasutage seadmeid üksnes spetsiaalselt neile ette nähtud akudega. Muude akude kasutamiseks võib kaasneda kehavigastuste ja tulekahju oht.
17. Kui akut ei kasutata, ärge hoidke seda koos muude metalliesemetega, nagu kirjaklambrid, mündid, võtmed, naelad, kruvid jm väiksed metalliesemed, mis võivad tekitada ühenduse klemmide vahel.
18. Väärkasutamise tagajärjel võib akust valguda välja vedelikku; ärge seda puudutage. Kui olete selle vedelikuga siiski kogemata kokku puutunud, uhtke kohta veega.
19. Ärge kasutage akut ega seadet, mis on kahjustunud või mida on modifitseeritud. Kahjustunud või modifitseeritud akude talitus võib olla etteaimatu, millega võib kaasneda tulekahju, plahvatuse või kehavigastuste oht.
20. Jälgige, et aku ega seade ei puutuks kokku lahtise tule või kõrge temperatuuriga. Kokkupuude lahtise tule või temperatuuriga, mis on üle 130 °C, võib kaasa tuua plahvatuse.
21. Järgige kõiki laadimisjuhiseid ja ärge laadige akut ega seadet väljaspool juhendis täpsustatud temperatuurivahemikku. Nõuetele või määratud temperatuuripiirangutele mittevastav laadimine võib kahjustada akut ja suurendada tulekahjuohtu.

HOIDKE JUHEND ALLES.

OHUTUSE LISAEESKIRJAD

Seade on mõeldud kasutamiseks majapidamistöodes.

1. Lugege enne kasutamist hoolikalt seda kasutusjuhendit ja laadija kasutusjuhendit.
2. Ärge korjake üles järgmisi asju:
 - kuumad asjad, nagu põlevad sigaretid või metalli lihvimise/lõikamise käigus tekkinud kuumad osakesed/metallipuru;
 - tuleohtlikud materjalid, nagu bensiin, lahusti, petrooleum või värv;
 - plahvatusohtlikud materjalid, nagu nitroglütseriin;
 - süttimisohtlikud materjalid, nagu alumiinium, tsink, magneesium, titaan, fosfor või tselluloid;
 - märg praht, vesi, õli vms;
 - teravate servadega kõvad tükid, nagu puulaastud, metallid, kivid, klaas, naelad, klambrid või lõikerad;

- kivistuv pulber, nagu tsement või savimuda;
 - elektrit juhtiv tolm, nagu metall või süsinik;
 - peenosakesed, nagu betoonitollm;
- selline tegevus võib põhjustada tulekahju, vigastusi ja/või varalist kahju.
3. Kui märkate midagi ebaharilikku, peatage töö viivitamatult.
 4. Kui tolmuimeja kukub või saab löögi, kontrollige enne kasutamist hoolikalt, et sellel ei oleks mõrasid ega vigastusi.
 5. Hoidke tööriist eemal ahjustest jm kuumusallikatest.
 6. Ärge blokeerige sisselaskeava ega ventilaatoriavasid.

HOIDKE JUHEND ALLES.

Akukassetiga seotud olulised ohutusjuhised

1. Enne akukasseti kasutamist lugege (1) akulaadidajal, (2) akul ja (3) seadmel olevad juhtnõõrid ja hoiatused läbi.
 2. Ärge võtke akukassetti lahti ega muutke seda. See võib põhjustada tulekahju, liigset kuumust või plahvatuse.
 3. Kui tööaeg järsult lüheneb, siis lõpetage kohe kasutamine. Edasise kasutamise tulemuseks võib olla ülekuumenemisoht, võimalikud põletused või isegi plahvatus.
 4. Kui elektroliit satub silma, siis loputage silma puhta veega ja pöörduge koheselt arsti poole. Selline õnnetus võib põhjustada pimedaksjäämist.
 5. Ärge tekitage akukassetis lühis:
 - (1) Ärge puutuge klemme elektrijuhtidega.
 - (2) Ärge hoidke akukassetti tööriistakastis koos metallesemetega, nagu naelad, mündid jne.
 - (3) Ärge tehke akukassetti märjaks ega jätke seda vihma kätte.
- Aku lühis võib põhjustada tugevat elektrivoolu, ülekuumenemist, põletusi ning ka seadet tõsiselt kahjustada.
6. Ärge hoidke ega kasutage tööriista ja akukassetti kohtades, kus temperatuur võib tõusta üle 50 °C (122 °F).
 7. Ärge põletage akukassetti isegi siis, kui see on saanud tõsiselt vigastada või on täiesti kurnunud. Akukassett võib tules plahvatada.
 8. Ärge naelutage, löigake, muljuge, visake akukassetti ega laske sel kukkuda, samuti ärge lööge selle pihta kõva esemega. Selline tegevus võib põhjustada tulekahju, liigset kuumust või plahvatuse.
 9. Ärge kasutage kahjustatud akut.
 10. Sisalduvatele liitium-ioonakudele võivad kohalduda ohtlike kaupade õigusaktide nõuded.

Kaubanduslikul transportimisel, näiteks kolmandate poolte või transpordiettevõtete poolt, tuleb järgida pakendil ja siltidel toodud erinõudeid.

Transportimiseks ettevalmistamisel on vajalik pidada nõu ohtliku materjali ekspordiga. Samuti tuleb järgida võimalike riiklike regulatsioonide üksikasjalikumaid nõudeid.

Katke teibiga või varjake avatud kontaktid ja pakendage aku selliselt, et see ei saaks pakendis liikuda.

11. Kasutuskõlbmatuks muutunud akukasseti kõrvaldamiseks eemaldage see tööriistast ja viige selleks ette nähtud kohta. Järgige kasutuskõlbmatuks muutunud aku kõrvaldamisel kohalikke eeskirju.
12. Kasutage akusid ainult Makita heaks kiidetud toodetega. Akude paigaldamine selleks mitte ettenähtud toodetele võib põhjustada süttimist, ülemäärast kuumust, plahvatamist või elektroliidi lekkimist.
13. Kui tööriista ei kasutata pika ajaperioodi jooksul, tuleb aku tööriistast eemaldada.
14. Kasutamise ajal ja pärast kasutamist võib akukassett kuumeneda, mis võib põhjustada põletusi või madala temperatuuri põletusi. Olge kuuma akukasseti kandmisel ettevaatlik.
15. Ärge puudutage tööriista klemmi kohe pärast kasutamist, sest see võib olla kuum ja põhjustada põletusi.
16. Hoidke akukasseti klemmid, avad ja sooned tükikestest, tolmust ja mullast puhtad. See võib põhjustada tööriista või aku ülekuumenemist, süttimist, purunemist ja talitlushäireid, mis võib lõppeda põletuste või kehavigastustega.
17. Kui tööriist ei kannata kasutamist kõrgepingeliinide lähedal, ärge kasutage akukassetti kõrgepingeliinide lähedal. Muidu võib tööriist või akukassett puruneda või sellele tõrge tekkida.
18. Hoidke aku lastele kättesaamatult.

HOIDKE JUHEND ALLES.

⚠ETTEVAATUST: Kasutage ainult Makita originaalakusid. Mitte Makita originaalakude või muudetud akude kasutamine võib põhjustada akude süttimise, kehavigastuse ja kahjustuse. Samuti muudab see tehetuks Makita tööriista ja laadija Makita garantii.

Vihjeid aku maksimaalse kasutajaga tagamise kohta

1. Laadige akukassetti enne selle täielikku tühjenemist. Kui märkate, et tööriist töötab väiksema võimsusega, peatage töö ja laadige akukassetti.
2. Ärge laadige täielikult laetud akukassetti. Ülelaadimine lühendab akude kasutusiga.
3. Laadige akukassetti toatemperatuuril 10 °C - 40 °C. Enne laadimist laske kuumenenud akukassetil maha jahtuda.
4. Kui te ei kasuta parajasti akukassetti, eemaldage see tööriistast või laadurist.
5. Kui te ei kasuta akukassetti kauem kui kuus kuud, laadige see.

FUNKSIONAALNE KIRJELDUS

⚠ETTEVAATUST: Kandke alati hoolt selle eest, et tööriist oleks enne reguleerimist ja kontrollimist välja lülitatud ja akukassett eemaldatud.

⚠ETTEVAATUST: Olge ettevaatlik ja ärge jätku aku paigaldamise ajal sõrme/sõrmi tolmuimeja ja aku vahele, nagu joonisel näidatud. Sõrmede vigastamise oht.

► Joon.1

Akukasseti paigaldamine või eemaldamine

⚠ETTEVAATUST: Lülitage tööriist alati enne akukasseti paigaldamist või eemaldamist välja.

⚠ETTEVAATUST: Akukasseti paigaldamisel või eemaldamisel tuleb tööriista ja akukassetti kindlalt paigal hoida. Kui tööriista ja akukassetti ei hoita kindlalt paigal, võivad need käest libiseda ning kahjustada tööriista ja akukassetti või põhjustada kehavigastusi.

► Joon.2: 1. Punane näidik 2. Nupp 3. Akukassett

Akukasseti eemaldamiseks libistage see tööriista küljest lahti, vajutades kasseti esiküljel paiknevat nuppu alla.

Akukasseti paigaldamiseks joondage akukasseti keel korpuse soonega ja libistage kassett oma kohale. Sisestage see tervenisti, kuni see lukustub klõpsuga oma kohale. Kui näete joonisel näidatud punast näidikut, pole see täielikult lukustunud.

⚠ETTEVAATUST: Paigaldage akukassett alati täies ulatuses nii, et punast osa ei jääks näha. Muidu võib adapter juhuslikult tööriistast välja kukkuda ning põhjustada teile või läheduses viibivatele isikutele vigastusi.

⚠ETTEVAATUST: Ärge rakendage akukasseti paigaldamisel jõudu. Kui kassett ei lähe kergesti sisse, pole see õigesti paigaldatud.

Aku kaitsesüsteem

Tööriist on varustatud tööriista või aku kaitsesüsteemiga. Süsteem lülitab mootori automaatselt välja, et pikendada tööriista ja aku tööiga. Tööriist seiskub käitamise ajal automaatselt, kui tööriista või aku kohta kehtib üks järgmistest tingimustest.

Ülekoormus:

Tööriista/akut kasutatakse viisil, mis põhjustab toitevoolu tugevuse tõusu lubatust kõrgemale. Sellisel juhul lülitage tööriist välja ning lõpetage tööriista ülekoormuse põhjustanud tegevus. Pärast seda käivitage tööriist uuesti. Kui tööriist ei käivitu, on aku üle kuumenenud. Sellises olukorras laske akul enne tööriista uuesti sisselülitamist jahtuda.

Madal akupinge:

Aku jääkmahutavus on liiga väike ja tööriist ei hakka tööle. Sellisel juhul eemaldage aku ja laadige seda.

Aku jääkmahutavuse näit

Akukasseti järelejäänud mahutavuse kontrollimiseks vajutage kontrollimise nuppu. Märgulambid süttivad mõneks sekundiks.

► Joon.3: 1. Märgulambid 2. Kontrollimise nupp

Märgulambid			Jääkmahutavus
Pöleb	Ei põle	Vilgub	
■ ■ ■ ■	□	▧	75 - 100%
■ ■ ■ □	□	□	50 - 75%
■ ■ □ □	□	□	25 - 50%
■ □ □ □	□	□	0 - 25%
▧ □ □ □	□	□	Laadige akut.
■ ■ □ □	□	□	Akul võib olla tõrge.
□ □ ■ ■	□	□	

MÄRKUS: Näidatud mahutavus võib veidi erineda tegelikust mahutavusest olenevalt kasutustingimustest ja ümbritseva keskkonna temperatuurist.

MÄRKUS: Esimene (taga vasakul asuv) märgutuli vilgub, kui akukaitsesüsteem töötab.

Lüliti funktsioneerimine

► Joon.4: 1. Imemisvõimsuse muutmise nupp
2. Sisse-väljalülitamise nupp

Tolmuimeja sisselülitamiseks vajutage lihtsalt sisse-väljalülitamise nuppu. Väljalülitamiseks vajutage uuesti sisse-väljalülitamise nuppu.

Tolmuimeja imemisvõimsust saab muuta nelja samuga, vajutades imemisvõimsuse muutmise nuppu. Iga nupulevajutus kordab tsükliina režiime vaikne/tavaline/suur/max.

Tase	Näidik	Režiim
1	☰	Vaikne režiim
2	☱	Tavalise kiiruse režiim
3	☲	Suure kiiruse režiim
4	☳	Max kiiruse režiim

MÄRKUS: Imemisvõimsust saate muuta enne tolmuimeja sisselülitamist.

MÄRKUS: Tolmuimeja alustab tööd samal imemisvõimsusel nagu eelmise töö ajal.

Lambi süütamine

⚠ETTEVAATUST: Ärge vaadake otse valgusse ega valgusalikikat.

Lambi sisselülitamiseks vajutage imemisvõimsuse muutmise nuppu. Lamp kustub umbes 10 sekundi pärast. Lamp lülitub sisse, kui tolmuimeja töötab. Lamp kustub umbes 10 sekundit pärast töö lõpetamist.

MÄRKUS: Aku tühjenemisel hakkab lamp vilkuma. Aeg, millal lamp vilkuma hakkab, oleneb töökohta temperatuurist ja akukasseti seisundist.

- **Joon.5:** 1. Imemisvõimsuse muutmise nupp
2. Sisse-väljalülitamise nupp 3. Lamp

KOKKUPANEK

⚠ETTEVAATUST: Kandke alati hoolt selle eest, et tööriist oleks enne igasuguseid hooldustöid välja lülitatud ja akukassett eemaldatud.

Osade kirjeldus

Valikuline tarvik

Suure jõudlusega filter, püsi- ja tolmufilter

- **Joon.6:** 1. Ümbris 2. Suure jõudlusega filter
3. Püsi- ja tolmufilter

Eelfilter või suure jõudlusega filter ja HEPA filter

- **Joon.7:** 1. Ümbris 2. Eelfilter 3. Suure jõudlusega filter 4. HEPA filter

TÄHELEPANU: Ärge kasutage suure jõudlusega filtrit filtriga (lisavarustus). Suure jõudlusega filter võib muutuda tolmuimejast mitte-eemaldatavaks.

MÄRKUS: Kasutades valikulist eelfiltrit ja filtrit koos HEPA filtriga, kasutage ainult eelfiltrit HEPA filtri peal. Kui kasutate samal ajal eelfiltrit ja filtrit koos HEPA filtriga, võib imemisvõimsus väheneda.

MÄRKUS: Kui kasutate HEPA filtrit koos suure jõudlusega filtriga, kasutage suure jõudlusega filtrit koos püsifiltriga.

- **Joon.8:** 1. Püsifilter

Tolmu eemaldamine

⚠ETTEVAATUST: Tühjendage tolmuimeja enne, kui see liigselt täitub, või enne, kui imemisjõud väheneb.

⚠ETTEVAATUST: Puhastage ka tolmuimeja sisemus tolmust. Vastasel juhul ummistab tolmu filtri või kahjustab mootorit.

Korpuses oleva filtri tolmust puhastamiseks koputage käega ümbrisele 4 kuni 5 korda.

- **Joon.9:** 1. Ümbris 2. Imiava

Suunake imemistoru allapoole, keerake ümbrist joonisel näidatud noole suunas ja tõmmake ümbrist otsesuunas aeglaselt ära.

- **Joon.10:** 1. Ümbris 2. Imiava

MÄRKUS: Seadke prügikott ümbrise alla, sest tolm võib ümbrise avamisel väljuda.

Eemaldage kogunenud tolm ümbrise ja suure jõudlusega filtrist.

- **Joon.11:** 1. Ümbris 2. Suure jõudlusega filter

Pöörake suure jõudlusega filtrit noole suunas, et vabastada lukustusäärik, ja tõmmake seejärel filter eemale.

- **Joon.12:** 1. Lukustusäärik

MÄRKUS: Enne eelfiltri kasutamist järgige ülaltoodud toiminguid.

Puhastage peenest tolmust ja koputage kergelt, et vabastada tolm suure jõudlusega filtrist.

Kokkupanek

Ühendage suure jõudlusega filter. Samal ajal pöörake suure jõudlusega filtrit nii, et lukustusäärik lukustuks kindlalt tolmuimeja korpuse külge.

- **Joon.13:** 1. Suure jõudlusega filter

- **Joon.14:** 1. Lukustusäärik

TÄHELEPANU: Enne tolmuimeja kasutamist kontrollige alati, kas suure jõudlusega filter on õigesti paigaldatud. Kui filtrid on valesti paigaldatud, koguneb tolm mootori korpusesse ja põhjustab mootori rikke. Kui kirjeldatud probleem ilmneb hiljem, ei ole suure jõudlusega filter õigesti paigaldatud. Vea parandamiseks paigaldage filtrid uuesti.

Kinnitage ümbris. Seadke ümbrise ja käepideme märgised kohakuti ja pöörake ümbrist kinnitamiseks noole suunas.

- **Joon.15:** 1. Märgis 2. Käepide 3. Ümbris

MÄRKUS: Eemaldage tolmu tihti, sest kui tolmuimejas on palju tolmu, siis imemisvõime väheneb.

Probleemi näited

Suure jõudlusega filtri lukustusäärik ei ole lukustatud kindlalt tolmuimeja korpuse soonde.

- **Joon.16:** 1. Lukustusäärik 2. Tolmuimeja korpuse soon

Püsifiltri / HEPA filtri paigaldamine või eemaldamine

Valikuline tarvik

Püsi- ja tolmufiltrit jaoks

Püsifiltri eemaldamiseks tõmmake sõrmedega ülemise sammaste alumine osa välja ja vabastage selle soon tolmuimeja väljaulatavast osast. Seejärel eemaldage tolmufilter.

- **Joon.17:** 1. Püsifilter 2. Tolmufilter

Paigaldamiseks joondage sooned tolmuimejaga ja vajutage, kuni see klõpsatab.

Sisestage tolmufilter tugele vahele ja paigutage see esialgsele kohale.

HEPA filtri jaoks

HEPA filtri paigaldamisel sobitage HEPA filtri soon tolmuimeja väljaulatuvale osale. Seejärel paigaldage HEPA filtrile eelfilter või suure jõudlusega filter ja keerate kindlalt kinni. Eemaldamiseks järgige paigaldamise protseduuri vastupidises järjekorras.

► **Joon.18:** 1. HEPA filter 2. Eelfilter

► **Joon.19:** 1. HEPA filter 2. Suure jõudlusega filter

TÖÖRIISTA KASUTAMINE

⚠ETTEVAATUST: Tolmuimeja kasutamisel ärge pange oma nägu ventilaatorile liiga lähedale. Kõrvaliste esemete sattumisel silma võib see põhjustada kehavigastusi.

Puhastustarviku paigaldamine või eemaldamine

⚠ETTEVAATUST: Pärast lisatarviku paigaldamist kontrollige, kas see on korralikult kinnitatud. Kui lisatarvik ei ole korralikult kinnitatud, võib see lahti tulla ja põhjustada vigastusi.

⚠ETTEVAATUST: Lisatarviku eemaldamisel olge ettevaatlik, et te ei lööks kätt vastu seina jms.

Lukustusfunktsiooniga lisatarviku kasutamine

Lisatarviku paigaldamiseks sisestage see tolmuimeja imiavasse, kuni see klõpsatab. Veenduge, et lisatarvik on lukustunud.

► **Joon.20:** 1. Imiava 2. Lukustusfunktsiooniga lisatarvik 3. Konk

MÄRKUS: Lukustusfunktsiooniga lisatarviku paigaldamisel veenduge, et vabastusnupp oleks ühel joonel lisatarvikul oleva haagiga. Kui need ei ole ühel joonel, siis toru ei lukustu ja võib tolmuimeja küljest lahti tulla.

Lisatarviku eemaldamiseks tõmmake seda samal ajal, kui vajutate vabastusnappu.

► **Joon.21:** 1. Vabastusnupp
2. Lukustusfunktsiooniga lisatarvik

Ilma lukustusfunktsioonita lisatarviku kasutamine

⚠ETTEVAATUST: Ilma lukustusfunktsioonita lisatarviku ühendamiseks pöörake seda ja sisestage lisatarvik noole suunas, et kinnitada kasutamise ajaks ühendus. Lisatarviku lahutamiseks pöörake ja eemaldage samuti noolega näidatud suunas. Kui lisatarvikut pöörata vastupidises suunas, võib ümbris lahti tulla.

► **Joon.22**

Puhastamine (imemine)

Otsak

Laudade, mööbli jm puhastamiseks kinnitage tolmuimejale otsak. Otsak kinnitub lihtsalt.

► **Joon.23:** 1. Otsak

Otsak + teleskooptoru (sirge toru)

Teleskooptoru saab paigutada otsaku ja aparaadi vahele. See muudab seistes põranda puhastamise mugavaks.

► **Joon.24:** 1. Tolmuimeja korpus 2. Pikendustoru
3. Otsak

Nurgaotsak

Kinnitage auto või mööbli nurkade ja pragude puhastamiseks nurgaotsak.

► **Joon.25:** 1. Nurgaotsak 2. Tolmuimeja korpus

Nurgaotsakut saab hoida otsakute hoidikus.

► **Joon.26:** 1. Otsakute hoidik 2. Nurgaotsak

⚠ETTEVAATUST: Olge ettevaatlik, et te ei jätkaks sõrmi nurgaotsaku ja otsakute hoidiku vahele. Sõrmede vigastamise oht.

Nurgaotsak + teleskooptoru (sirge toru)

Kasutage seda võimalust piiratud ruumis, kuhu tolmuimeja ei mahu, või kõrgete kohtade puhul, kuhu on raske ulatuda.

► **Joon.27:** 1. Nurgaotsak 2. Pikendustoru
3. Tolmuimeja korpus

Puhastamine ilma otsakuta

Pulbrit ja tolmu saate koguda ilma otsakuta.

► **Joon.28**

Püstises asendis pörandalt tolmu kogumiseks on soovitatav kinnitada tolmuimeja külge teleskooptoru.

► **Joon.29:** 1. Pikendustoru

HOOLDUS

⚠ETTEVAATUST: Enne kontrolli- või hooldustoimingute tegemist kandke alati hoolt selle eest, et tööriist oleks välja lülitatud ja akukasset korpus küljest eemaldatud.

Toote OHUTUSE ja TÖÖKINDLUSE tagamiseks tuleb vajalikud parandustööd ning muud hooldus- ja reguleerimistööd lasta teha Makita volitatud või tehase teeninduskeskustes. Alati tuleb kasutada Makita varuosi.

Pärast kasutamist

⚠ETTEVAATUST: Seadme seina vastu toetamine ilma igasuguse muu toeta võib lõppeda selle ümber kukkumisega, põhjustades kehavigastusi või seadme kahjustusi.

► **Joon.30**

Puhastamine

TÄHELEPANU: Ärge kunagi kasutage bensiini, vedeldit, alkoholi ega midagi muud sarnast. Selle tulemuseks võib olla luitumine, deformatsioon või pragunemine.

TÄHELEPANU: Ärge puhuge tolmuimejale ja filtritele kogunenud tolmu õhupuhuriga. Sellega kaasneks tolmu sattumine korpusesse, mis põhjustab talitlushäireid.

TÄHELEPANU: Pärast filtrite pesemist kuivatage need enne kasutamist korralikult. Ebapiisavalt kuivatatud filtrid vähendavad imemisvõimsust ja lühendavad mootori tööiga.

TÄHELEPANU: Pärast filtrite ja tolmufiltri puhastamist paigaldage need enne kasutamist kindlasti tagasi oma kohale. Kui kasutate tolmuimejat ilma filtrite ja tolmufiltrita, satub tolm mootori korpusesse, mis põhjustab talitlushäireid.

Tolmuimeja korpus

Puhastage tolmuimeja korpuse välispinda aeg-ajalt seebivees niisutatud lapiga.

Puhastage ka imiava ja filtri paigaldusala.

► Joon.31

Suure jõudlusega filter

Peske filtrit seebivees, kui filter on tolmust ummistunud ja tolmuimeja võimsus langenud. Enne kasutamist laske korralikult kuivada.

► Joon.32

HEPA filter

Valikuline tarvik

TÄHELEPANU: HEPA filtrit ei tohi hõõruda ega kraapida kõvade esemetega, nagu harja ja kaabitsaga.

Ummistunud HEPA filter põhjustab imemisjõu vähenemist. Puhastage aeg-ajalt filtrit.

Peske HEPA filtrit aeg-ajalt veega, loputage seda korralikult ja laske siis filtril enne kasutamist varjulises kohas korralikult kuivada. Filtrit ei tohi pesta pesumasinas.

► Joon.33

Tolmufilter

Kui tolmufilter määrdub, puhastage seda alljärgnevalt.

1. Eemaldage filter.
2. Tõmmake tolmufilter tugede vahelt välja.
3. Puhastamiseks koputage tolmufiltrile või peske seda. Pesemise korral tuleb sellele lasta enne kasutamist korralikult kuivada.
4. Sisestage tolmufilter tugede vahele ja paigutage see esialgsele kohale. Kontrollige, kas toe alumine serv hoiab tolmufiltrit ette nähtud kohal, ning veenduge, et tolmufiltri ja imiava vahel poleks õhkvaheikkude.

► Joon.34: 1. Tolmufilter 2. Toe alumine serv

Juhtmeta käsitolmuimeja seinapaigalduspaneel

Valikuline tarvik

MÄRKUS: Hoidiku paigaldamiseks vajalik kruvi ei kuulu komplekti. Pange valmis kruvi, mis on konkreetse materjali puhul kasutamiseks sobiv.

Kinnitage juhtmeta käsitolmuimeja seinapaigalduspaneel tugeva puitseina, tala või posti külge, kuhu juhtmeta käsitolmuimeja seinapaigalduspaneeli saab korralikult fikseerida. Enne käsitolmuimeja ülesriputamist tuleb alati kontrollida, kas juhtmeta käsitolmuimeja seinapaigalduspaneel on nõuetekohaselt kinnitatud.

► Joon.35: 1. Juhtmeta käsitolmuimeja seinapaigalduspaneel

⚠ETTEVAATUST: Ärge kasutage käsitolmuimeja seinapaigalduspaneelile riputamisel jõudu ning ärge riputage selle külge teisi seadmeid.

Tõrkeotsing

Enne seadme remonti viimist kontrollige järgmisi punkte.

Probleemi kirjeldus	Mida tuleks uurida?	Kuidas parandada?
Nõrk imemisjõud	Kas ümbris on tolmu täis?	Tühjendage ümbris tolmust.
	Kas filter on ummistunud?	Puhastage ja peske filter.
	Kas akukassett on tühi?	Laadige akukassett.
Ei tööta.	Kas akukassett on tühi?	Laadige akukassett.
Müra ja vibratsioon	Kas filter on ummistunud?	Puhastage ja peske filter.
	Kas seadme otsik, toru või imiava on ummistunud?	Eemaldage ummistus seadme otsikust, torust või imiavast.
	Kas otsik / toru sisselaskeava on blokeeritud?	Ärge blokeeri otsikut / toru sisselaskeava.

⚠ETTEVAATUST: Ärge püüdke tolmuimeajat ise parandada.

VALIKULISED TARVIKUD

⚠ETTEVAATUST: Neid tarvikuid ja liseseadiseid on soovivat kasutada koos Makita tööriistaga, mille kasutamist selles kasutusjuhendis kirjeldatakse. Muude tarvikute ja liseseadiste kasutamiseks kaasneb vigastada saamise oht. Kasutage tarvikuid ja liseseadiseid ainult otstarbekohaselt.

Saate vajaduse korral kohalikust Makita teeninduskeskusest lisateavet nende tarvikute kohta.

- Teleskoopтору (sirge toru)
- Otsak
- Vaibaotsak
- Riivilihari
- Nurgaotsak
- Ümmargune hari
- Elastne voolik
- Filter
- Eelfilter
- Suure jõudlusega filter
- HEPA filter
- Eraldi otsak
- Istme otsak
- Praootsak
- Juhtmeta käsitolmuimeja seinapaigalduspaneel
- Tsüklontarvik
- Tööriistakott
- Makita algupärane aku ja laadija

MÄRKUS: Mõned nimekirjas loetletud tarvikud võivad kuuluda standardvarustusse ning need on lisatud tööriista pakendisse. Need võivad riigiti erineda.

Tsüklontarvik

- **Joon.36:** 1. Vabastusnupp 2. Haak 3. Sirge toru 4. Tsüklontarvik 5. Imliaa

Teave tsüklontarviku kohta

Paigaldatud tsüklontarvikuga tolmuimeja kasutamine vähendab ümbrisesse jõudva tolmu kogust, mille tulemusena immisjõud ei vähene. Lisaks on pärast kasutamist tööriista lihtne puhastada.

⚠ETTEVAATUST: Jälgige alati, et tööriist oleks enne igasuguseid hooldustöid välja lülitatud ja akukassett eemaldatud. Kui akukassett jääb tolmuimeja sisse, võib see ootamatult käivituda ja tekitada vigastusi.

⚠ETTEVAATUST: Kui tsüklontarviku võrkfilter või tolmuimeja filtrid ummistuvad, puhastage neid. Ummistunud osade pidev kasutamine võib viia tööriista kuumenemiseni või tekitada suitsu.

TÄHELEPANU: Kui tolmuimejale on paigaldatud tsüklontarvik, ärge kasutage tolmuimejat horisontaalses või ülespoole asendis. Muidu võib võrkfilter ummistuda.

TÄHELEPANU: Kasutage tolmuimejat alati koos filtritega, isegi kui tsüklontarvik on paigaldatud. Ilma filtriteta tolmuimeja kasutamine võib põhjustada mootori riket.

MÄRKUS: Kontrollige, et tsüklontarvik, tolmuimeja ja sirge toru oleksid enne kasutamist korralikult lukustunud.

MÄRKUS: Kui tsüklontarviku tolmuvaru või tolmuimeja ümbrisesse on kogunenud tolmu, tühjendage need. Pidev kasutamine vähendab immisjõudu.

MÄRKUS: Tsüklontarvikut saab kasutada ka ilma lukustusfunktsioonita.

MÄRKUS: Tsüklontarviku paigaldamiseks või eemaldamiseks lugege peatükki „Puhastustarviku paigaldamine või eemaldamine“.

Tolmu eemaldamine

Kui tolmu on kogunenud tolmuvaru ülemisele jooneni, järgige alltoodud protseduuri ja eemaldage tolmu.

1. Hoidke tolmuvaru kindlalt, vajutage ja hoidke all kaht nuppu ning eemaldage tolmuvaru.

► **Joon.37:** 1. Ülemine joon 2. Tolmuvaru 3. Nupp (kahes kohas) 4. Võrkfilter

2. Eemaldage tolmuvarus olev tolmu ning võrkfiltrit pinnale kinnitunud tolmu ja puru.

3. Sisestage tolmuvaru lõpuni, kuni kaks nuppu klõpsuga lukustuvad.

► **Joon.38:** 1. Tolmuvaru 2. Nupp (kahes kohas)

MÄRKUS: Kontrollige, et tsüklontarvik, tolmuimeja ja sirge toru oleksid enne taaskäivitamist korralikult lukustunud.

MÄRKUS: Kui immisjõud ei taastu ka pärast tolmu eemaldamist ja võrkfiltrit puhastamist, kontrollige, kas tolmuimeja ümbris on täis või on kuskil ummistus.

MÄRKUS: Tsüklontarviku tühjendamisel võib tolmu välja lennata. Olge ettevaatlik, et tolmu ei satuks silma.

Puhastamine

Kui tolmuvaru muutub mustaks või võrkfilter on ummistunud, võtke need välja ja peske veega. (Lugege välja- võtmise kohta peatükki „Tolmu eemaldamine“.)

Enne tagasipanekut ja kasutamist kuivatage osad korralikult.

► **Joon.39:** 1. Tolmuvaru 2. Võrkfilter

Kui võrkfilter muutub väga mustaks, puhastage seda järgmisel moel.

1. Keerake võrkfiltrit vastupäeva ja võtke see välja, kui haagid on lukustamata.

► **Joon.40:** 1. Võrkfilter 2. Haak

2. Eemaldage võrkfiltril olev tolmu ja peske filtrit veega. Seejärel kuivatage filter korralikult.

3. Sisestage võrkfilter selle pesasse, nii et haagid on avaga kohakuti. Keerake võrkfiltrit päripäeva, kuni haagid klõpsuga lukustuvad. Veenduge, et võrkfilter oleks kindlalt paigaldatud.

► **Joon.41:** 1. Võrkfilter 2. Haak 3. Ava

ОСТОРОЖНО

- Дети старше 8 лет, лица с ограниченными физическими, сенсорными или умственными способностями и лица, не имеющие надлежащего опыта и знаний, могут использовать это устройство только при условии, что они осознают возможные опасности и действуют под надзором или после инструктажа по безопасному использованию устройства.
- Не разрешайте детям играть с устройством. Детям запрещается проводить чистку и техобслуживание без контроля со стороны взрослых.
- Тип аккумулятора указан в главе "ТЕХНИЧЕСКИЕ ХАРАКТЕРИСТИКИ".
- Инструкции по установке и извлечению аккумулятора приведены в разделе "Установка или снятие блока аккумулятора".
- Для утилизации блока аккумулятора извлеките его из инструмента и утилизируйте безопасным способом. Выполняйте требования местного законодательства по утилизации аккумулятора.
- Если инструментом не будут пользоваться в течение длительного периода времени, извлеките аккумулятор из инструмента.
- Не замыкайте контакты блока аккумулятора между собой.
- Сведения о мерах предосторожности при техническом обслуживании изделия пользователем приведены в главе "ТЕХНИЧЕСКОЕ ОБСЛУЖИВАНИЕ".

ТЕХНИЧЕСКИЕ ХАРАКТЕРИСТИКИ

Модель:		CL001G
Производительность		730 мл
Продолжительное использование (с аккумулятором BL4025)	1 (Бесшумный режим)	Прибл. 80 мин
	2 (Режим нормальной скорости)	Прибл. 40 мин
	3 (Режим высокой скорости)	Прибл. 25 мин
	4 (Режим максимальной скорости)	Прибл. 16 мин
Общая длина (с аккумулятором BL4025)		1 066 мм
Номинальное напряжение		36 В – 40 В пост. тока макс.
Масса нетто		1,7 - 2,3 кг

- Благодаря нашей постоянно действующей программе исследований и разработок указанные здесь технические характеристики могут быть изменены без предварительного уведомления.
- Технические характеристики могут различаться в зависимости от страны.
- В значение массы не входит масса принадлежностей, только масса блок(ов) аккумулятора. Наименьшая и наибольшая совокупная масса инструмента и блока(ов) аккумулятора указана в таблице.

Подходящий блок аккумулятора и зарядное устройство

Блок аккумулятора	BL4020* / BL4025* / BL4040* / BL4050F *: рекомендуемый аккумулятор
Зарядное устройство	DC40RA / DC40RB / DC40RC

- В зависимости от региона проживания некоторые блоки аккумуляторов и зарядные устройства, перечисленные выше, могут быть недоступны.

⚠ ОСТОРОЖНО: Используйте только перечисленные выше блоки аккумуляторов и зарядные устройства. Использование других блоков аккумуляторов и зарядных устройств может привести к травме и/или пожару.

Символы

Ниже приведены символы, которые могут использоваться для обозначения оборудования. Перед использованием убедитесь в том, что вы понимаете их значение.



Прочитайте руководство по эксплуатации.



Только для стран ЕС
В связи с наличием в оборудовании опасных компонентов отходы электрического и электронного оборудования, аккумуляторы и батареи могут оказывать негативное влияние на окружающую среду и здоровье человека.
Не выбрасывайте электрические и электронные устройства или батареи вместе с бытовыми отходами!
В соответствии с директивой ЕС по отходам электрического и электронного оборудования, по аккумуляторам, батареям и отходам аккумуляторов и батарей, а также в соответствии с ее адаптацией к национальному законодательству, отходы электрического оборудования, батареи и аккумуляторы следует хранить отдельно и доставлять на пункт раздельного сбора коммунальных отходов, работающий с соблюдением правил охраны окружающей среды.
Это обозначено символом в виде перечеркнутого мусорного контейнера на колесах, нанесенным на оборудование.

Назначение

Данный инструмент предназначен для сбора сухой пыли.

МЕРЫ БЕЗОПАСНОСТИ

Правила техники безопасности при эксплуатации аккумуляторного пылесоса

⚠ ОСТОРОЖНО: ВАЖНО! ВНИМАТЕЛЬНО ОЗНАКОМЬТЕСЬ со всеми инструкциями и рекомендациями по технике безопасности ДО НАЧАЛА РАБОТЫ. Невыполнение инструкций и рекомендаций может привести к поражению электротоком, пожару и/или тяжелым травмам.

1. Берегите от дождя. Храните в помещении.
2. Не позволяйте использовать в качестве игрушки. Если инструмент используют дети или инструмент используется рядом с детьми, соблюдайте особую осторожность.
3. Используйте только так, как описано в настоящем руководстве. Используйте только принадлежности, рекомендованные производителем.
4. Не используйте с поврежденным аккумулятором. Если инструмент не работает должным образом, был уронен, поврежден, забыт на улице или попал в воду, отнесите его в сервисный центр.
5. Не берите инструмент мокрыми руками.

6. Не помещайте какие-либо предметы в отверстие. Не используйте, если какое-либо отверстие заблокировано. Предотвращайте попадание пыли, пуха, волос и других материалов, способных уменьшить поток воздуха.
7. Держите волосы, свободную одежду, пальцы и другие части тела подальше от отверстий и движущихся деталей.
8. Перед снятием аккумулятора выключите все регуляторы.
9. Проявляйте особую осторожность при чистке на лестницах.
10. Не используйте для сбора огнеопасных или воспламеняющихся жидкостей, например бензина, и не используйте там, где они могут присутствовать.
11. Для зарядки используйте только зарядное устройство, поставленное производителем.
12. Не собирайте ничего, что горит или дымится, например, окурки, спички или горячий пепел.
13. Не используйте без установленных фильтров и/или пылесборного мешка.
14. Не заряжайте аккумулятор на улице.
15. Заряжайте аккумулятор только зарядным устройством, указанным изготовителем. Зарядное устройство, подходящее для одного типа аккумуляторных блоков, может привести к пожару при его использовании с другим аккумуляторным блоком.
16. Используйте устройство только с указанными для них аккумуляторными блоками. Использование других аккумуляторных блоков может привести к травме или пожару.
17. Когда аккумуляторный блок не используется, храните его отдельно от металлических предметов, таких как скрепки, монеты, ключи, гвозди, шурупы или другие небольшие металлические предметы, которые могут привести к короткому замыканию контактов аккумуляторного блока.
18. При неправильном обращении из аккумуляторного блока может потечь жидкость. Избегайте контакта с ней. В случае контакта с кожей промойте место контакта обильным количеством воды.
19. Не используйте поврежденный или модифицированный аккумуляторный блок или устройство. Поврежденные или модифицированные аккумуляторы могут работать некорректно, что может привести к пожару, взрыву или травмированию.
20. Не подвергайте аккумуляторный блок или устройство воздействию огня или высокой температуры. Воздействие огня или температуры выше 130 °C может привести к взрыву.
21. Следуйте всем инструкциям по зарядке и не заряжайте аккумуляторный блок или устройство при температурах, выходящих за пределы указанного в инструкции диапазона. Зарядка, выполняемая неправильно или при температурах, выходящих за пределы указанного диапазона, может привести к повреждению аккумулятора и повысить риск пожара.

СОХРАНИТЕ ДАННЫЕ ИНСТРУКЦИИ.

ДОПОЛНИТЕЛЬНЫЕ ПРАВИЛА ТЕХНИКИ БЕЗОПАСНОСТИ

Этот инструмент предназначен для домашнего использования.

1. Перед использованием внимательно прочитайте это руководство по эксплуатации и руководство по эксплуатации зарядного устройства.
2. Запрещается собирать следующие материалы:
 - горячие материалы (напр., зажженные сигареты) или искры/стружку при шлифовке/резании металла
 - горючие материалы (например, бензин, растворитель, бензол, керосин или краска)
 - взрывоопасные материалы (например, нитроглицерин)
 - воспламеняющиеся материалы (например, алюминий, цинк, магний, титан, фосфор или целлулоид)
 - жидкую грязь, воду, масло и подобные материалы
 - твердые частицы с острыми краями (например, древесные стружки, металлы, камни, стекла, гвозди, штифты или бритвы)
 - пыль от цемента или тонера
 - электропроводящую пыль (например, металлов или угля)
 - тонкодисперсные частицы (например, пыль от бетона)

Подобные действия могут привести к пожару, травмам и/или повреждению имущества.

3. Немедленно прекратите работу, если вы заметили какие-либо отклонения.
4. Тщательно проверьте пылесос перед началом эксплуатации на предмет наличия трещин и повреждений, если вы уронили или ударили его.
5. Не подносите близко к печам и источникам тепла.
6. Не блокируйте входные и вентиляционные отверстия.

СОХРАНИТЕ ДАННЫЕ ИНСТРУКЦИИ.

Важные правила техники безопасности для работы с аккумуляторным блоком

1. Перед использованием аккумуляторного блока прочитайте все инструкции и предупреждающие надписи на (1) зарядном устройстве, (2) аккумуляторном блоке и (3) инструменте, работающем от аккумуляторного блока.
2. Не разбирайте блок аккумулятора и не меняйте его конструкцию. Это может привести к пожару, перегреву или взрыву.

3. Если время работы аккумуляторного блока значительно сократилось, немедленно прекратите работу. В противном случае, может возникнуть перегрев блока, что приведет к ожогам и даже к взрыву.
 4. В случае попадания электролита в глаза промойте их обильным количеством чистой воды и немедленно обратитесь к врачу. Это может привести к потере зрения.
 5. Не замыкайте контакты аккумуляторного блока между собой:
 - (1) Не прикасайтесь к контактам какими-либо токопроводящими предметами.
 - (2) Не храните аккумуляторный блок в контейнере вместе с другими металлическими предметами, такими как гвозди, монеты и т. п.
 - (3) Не допускайте попадания на аккумуляторный блок воды или дождя.
- Замыкание контактов аккумуляторного блока между собой может привести к возникновению большого тока, перегреву, возможным ожогам и даже поломке блока.
6. Не храните и не используйте инструмент и аккумуляторный блок в местах, где температура может достигать или превышать 50 °C (122 °F).
 7. Не бросайте аккумуляторный блок в огонь, даже если он сильно поврежден или полностью вышел из строя. Аккумуляторный блок может взорваться под действием огня.
 8. Запрещено вбивать гвозди в блок аккумулятора, резать, ломать, бросать, ронять блок аккумулятора или ударять его твердым предметом. Это может привести к пожару, перегреву или взрыву.
 9. Не используйте поврежденный аккумуляторный блок.
 10. Входящие в комплект литий-ионные аккумуляторы должны эксплуатироваться в соответствии с требованиями законодательства об опасных товарах.

При коммерческой транспортировке, например, третьей стороной или экспедитором, необходимо нанести на упаковку специальные предупреждения и маркировку.

В процессе подготовки устройства к отправке обязательно проконсультируйтесь со специалистом по опасным материалам. Также соблюдайте местные требования и нормы. Они могут быть строже.

Закройте или закрепите разомкнутые контакты и упакуйте аккумулятор так, чтобы он не перемещался по упаковке.
 11. Для утилизации блока аккумулятора извлеките его из инструмента и утилизируйте безопасным способом. Выполняйте требования местного законодательства по утилизации аккумуляторного блока.
 12. Используйте аккумуляторы только с продукцией, указанной Makita. Установка аккумуляторов на продукцию, не соответствующую требованиям, может привести к пожару, перегреву, взрыву или утечке электролита.

13. Если инструментом не будут пользоваться в течение длительного периода времени, извлеките аккумулятор из инструмента.
14. Во время и после использования блок аккумулятора может нагреваться, что может стать причиной ожогов или низкотемпературных ожогов. Будьте осторожны при обращении с горячим блоком аккумулятора.
15. Не прикасайтесь к контактам инструмента сразу после использования, поскольку они могут быть достаточно горячими, чтобы вызвать ожоги.
16. Не допускайте налипания на контакты, отверстия и пазы блока аккумулятора опилок, пыли или земли. Это может стать причиной перегрева, возгорания, взрыва или неисправности инструмента или блока аккумулятора, что может привести к ожогам или травмам.
17. Если инструмент не рассчитан на использование вблизи высоковольтных линий электропередач, не используйте блок аккумулятора вблизи высоковольтных линий электропередач. Это может привести к неисправности, поломке инструмента или блока аккумулятора.
18. Храните аккумулятор в недоступном для детей месте.

СОХРАНИТЕ ДАННЫЕ ИНСТРУКЦИИ.

ВНИМАНИЕ: Используйте только фирменные аккумуляторные батареи Makita. Использование аккумуляторных батарей, не произведенных Makita, или батарей, которые были подвергнуты модификациям, может привести к взрыву аккумулятора, пожару, травмам и повреждению имущества. Это также автоматически аннулирует гарантию Makita на инструмент и зарядное устройство Makita.

Советы по обеспечению максимального срока службы аккумулятора

1. Заряжайте блок аккумуляторов перед его полной разрядкой. Обязательно прекратите работу с инструментом и зарядите блок аккумуляторов, если вы заметили снижение мощности инструмента.
2. Никогда не подзаряжайте полностью заряженный блок аккумуляторов. Перезарядка сокращает срок службы аккумулятора.
3. Заряжайте блок аккумуляторов при комнатной температуре в 10 - 40 °C (50 - 104 °F). Перед зарядкой горячего блока аккумуляторов дайте ему остыть.
4. Если блок аккумулятора не используется, извлеките его из инструмента или зарядного устройства.
5. Зарядите ионно-литиевый аккумуляторный блок, если вы не будете пользоваться инструментом длительное время (более шести месяцев).

ОПИСАНИЕ РАБОТЫ

ВНИМАНИЕ: Перед регулировкой или проверкой функций инструмента обязательно убедитесь, что он выключен и его аккумуляторный блок снят.

ВНИМАНИЕ: Соблюдайте осторожность, чтобы при установке аккумулятора не защемить пальцы между пылесосом и аккумулятором, как показано на рисунке. Защемление пальцев может привести к травме.

► Рис.1

Установка или снятие блока аккумуляторов

ВНИМАНИЕ: Обязательно выключайте инструмент перед установкой и извлечением аккумуляторного блока.

ВНИМАНИЕ: При установке и извлечении аккумуляторного блока крепко удерживайте инструмент и аккумуляторный блок. Если не соблюдать это требование, они могут выскользнуть из рук, что приведет к повреждению инструмента, аккумуляторного блока и травмированию оператора.

► Рис.2: 1. Красный индикатор 2. Кнопка 3. Блок аккумулятора

Для снятия аккумуляторного блока нажмите кнопку на лицевой стороне и извлеките блок.

Для установки блока аккумулятора совместите выступ блока аккумулятора с пазом в корпусе и задвиньте его на место. Установливайте блок до упора, чтобы он зафиксировался с небольшим щелчком. Если вы видите красный индикатор, как показано на рисунке, он не зафиксирован полностью.

ВНИМАНИЕ: Обязательно устанавливайте блок аккумулятора до конца, чтобы красный индикатор не был виден. В противном случае блок аккумулятора может выпасть из инструмента и нанести травму вам или другим людям.

ВНИМАНИЕ: Не прилагайте чрезмерных усилий при установке аккумуляторного блока. Если блок не двигается свободно, значит он вставлен неправильно.

Система защиты аккумулятора

На инструменте предусмотрена система защиты инструмента/аккумулятора. Она автоматически отключает питание двигателя для продления срока службы инструмента и аккумулятора. Инструмент автоматически остановится во время работы при возникновении указанных ниже ситуаций, влияющих на работу самого инструмента или аккумулятора.

Перегрузка:

В текущем режиме эксплуатации инструмент/аккумулятор потребляет очень большое количество тока. В этом случае выключите инструмент и прекратите работу, повлекшую перегрузку инструмента. Затем выключите инструмент для перезапуска.

Если инструмент не включается, значит перегрелся аккумуляторный блок. В этом случае дайте аккумулятору остыть перед повторным включением инструмента.






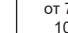


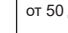








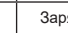


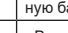
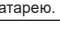


Низкое напряжение аккумуляторной батареи:

Уровень оставшегося заряда аккумулятора слишком низкий, и инструмент не работает. В этом случае снимите и зарядите аккумулятор.

Индикация оставшегося заряда аккумулятора

Нажмите кнопку проверки на аккумуляторном блоке для проверки заряда. Индикаторы загорятся на несколько секунд.

► **Рис.3:** 1. Индикаторы 2. Кнопка проверки

Индикаторы			Уровень заряда
 Горит	 Выкл.	 Мигает	
			от 75 до 100%
			от 50 до 75%
			от 25 до 50%
			от 0 до 25%
			Зарядите аккумуляторную батарею.
 	 	 	Возможно, аккумуляторная батарея неисправна.


ПРИМЕЧАНИЕ: В зависимости от условий эксплуатации и температуры окружающего воздуха индикация может незначительно отличаться от фактического значения.

ПРИМЕЧАНИЕ: Первая (дальняя левая) индикаторная лампа будет мигать во время работы защитной системы аккумулятора.

Действие выключателя

► **Рис.4:** 1. Кнопка изменения мощности всасывания 2. Кнопка включения / выключения

Для запуска пылесоса просто нажмите кнопку включения / выключения. Для выключения снова нажмите кнопку включения / выключения. Доступна четырехступенчатая регулировка мощности всасывания пылесоса путем нажатия кнопки изменения мощности всасывания. При каждом последующем нажатии этой кнопки циклически повторяется бесшумный / нормальный / высокий / максимальный режим.

Уровень	Индикация	Режим
1		Бесшумный режим
2		Режим нормальной скорости
3		Режим высокой скорости
4		Режим максимальной скорости

ПРИМЕЧАНИЕ: Мощность всасывания можно изменить перед включением пылесоса.

ПРИМЕЧАНИЕ: Пылесос начинает работу с той же мощностью всасывания, что и во время последней операции.

Включение лампы

ВНИМАНИЕ: Не смотрите непосредственно на свет или источник света.

Чтобы включить индикатор, нажмите кнопку изменения мощности всасывания. Индикатор гаснет примерно через 10 секунд.

Пока пылесос работает, индикатор горит.

Индикатор гаснет примерно через 10 секунд после прекращения работы.

ПРИМЕЧАНИЕ: При низком заряде аккумулятора индикатор начинает мигать. Время, по истечении которого индикатор начинает мигать, зависит от температуры на рабочем месте и состояния блока аккумулятора.

► **Рис.5:** 1. Кнопка изменения мощности всасывания 2. Кнопка включения / выключения 3. Лампа

СБОРКА

ВНИМАНИЕ: Перед проведением каких-либо работ с инструментом обязательно убедитесь, что инструмент отключен, а блок аккумулятора снят.

Описание деталей

Дополнительные принадлежности

Высокоэффективный фильтр, каркас и губчатый фильтр

► **Рис.6:** 1. Контейнер 2. Высокоэффективный фильтр 3. Каркас и губчатый фильтр

Фильтр предварительной очистки или высокоэффективный фильтр и фильтр HEPA

► **Рис.7:** 1. Контейнер 2. Фильтр предварительной очистки 3. Высокоэффективный фильтр 4. Фильтр HEPA

ПРИМЕЧАНИЕ: Не используйте высокоэффективный фильтр совместно с фильтром (дополнительная принадлежность). Это может привести к тому, что высокоэффективный фильтр невозможно будет извлечь из пылесоса.

ПРИМЕЧАНИЕ: При использовании дополнительного фильтра предварительной очистки и фильтра с фильтром HEPA следует использовать только фильтр предварительной очистки, установленный на фильтр HEPA. Если фильтр предварительной очистки и фильтр с фильтром HEPA использовать одновременно, мощность всасывания может снизиться.

ПРИМЕЧАНИЕ: При использовании фильтра HEPA с высокоэффективным фильтром следует использовать высокоэффективный фильтр с каркасом.

► Рис.8: 1. Каркас

Удаление пыли

ВНИМАНИЕ: Опорожните пылесос до того, как он заполнится, или сила всасывания уменьшится.

ВНИМАНИЕ: Обязательно удалите пыль с внутренних поверхностей пылесоса. невыполнение этого условия может привести к загрязнению фильтра или к повреждению мотора.

Чтобы стряхнуть налипшую на фильтр в области контейнера пыль, постучите рукой по контейнеру 4–5 раз.

► Рис.9: 1. Контейнер 2. Впускное отверстие всасывания

Направьте впускное отверстие всасывания вниз, поверните контейнер по стрелке и отсоедините его, осторожно потянув от себя.

► Рис.10: 1. Контейнер 2. Впускное отверстие всасывания

ПРИМЕЧАНИЕ: При открытии контейнера пыль может высыпаться, поэтому не забудьте подставить под контейнер мусорное ведро.

Удалите скопившуюся пыль из контейнера и из высокоэффективного фильтра.

► Рис.11: 1. Контейнер 2. Высокоэффективный фильтр

Поверните высокоэффективный фильтр по стрелке, чтобы вывести из зацепления фиксирующий буртик, и снимите фильтр.

► Рис.12: 1. Фиксирующий буртик

ПРИМЕЧАНИЕ: При использовании фильтра предварительной очистки также соблюдайте приведенную выше процедуру.

Удалите мелкую пыль и слегка постучите, чтобы удалить пыль из высокоэффективного фильтра.

Сборка

Установите высокоэффективный фильтр. Для этого поверните высокоэффективный фильтр так, чтобы фиксирующий буртик плотно вошел в зацепление с пылесосом.

► Рис.13: 1. Высокоэффективный фильтр

► Рис.14: 1. Фиксирующий буртик

ПРИМЕЧАНИЕ: Перед включением пылесоса обязательно проверяйте правильность установки высокоэффективного фильтра. Если он установлен неправильно, пыль попадет в корпус мотора и станет причиной его поломки. Возникновение описанной далее проблемы означает, что высокоэффективный фильтр установлен неправильно. Чтобы устранить проблему, выполните установку правильно.

Прикрепите контейнер. Совместите значок на контейнере со значком на рукоятке, затем с усилием поверните контейнер по стрелке до фиксации.

► Рис.15: 1. Метка 2. Рукоятка 3. Контейнер

ПРИМЕЧАНИЕ: Обязательно заблаговременно удаляйте пыль, так как сила всасывания снижается, если в пылесосе скопилось много пыли.

Примеры проблем

Фиксирующий буртик высокоэффективного фильтра недостаточно прочно закреплен в пазу корпуса пылесоса.

► Рис.16: 1. Фиксирующий буртик 2. Паз в корпусе пылесоса

Установка и демонтаж каркаса / фильтра HEPA

Дополнительные принадлежности

Действия для каркаса и губчатого фильтра

Для удаления каркаса поднимите нижнюю часть стоек каркаса пальцами и разъедините паз и выступ на пылесосе. Затем удалите губчатый фильтр.

► Рис.17: 1. Каркас 2. Губчатый фильтр

Для установки совместите пазы на каркасе с выступом на пылесосе и прижмите до щелчка.

Вставьте губчатый фильтр между стойками в его исходное положение.

Действия для фильтра HEPA

При установке фильтра HEPA совместите паз фильтра HEPA с выступом на пылесосе. Затем разместите фильтр предварительной очистки или высокоэффективный фильтр на фильтре HEPA и поверните для фиксации. Для демонтажа выполните процедуру установки в обратном порядке.

► Рис.18: 1. Фильтр HEPA 2. Фильтр предварительной очистки

► Рис.19: 1. Фильтр HEPA 2. Высокоэффективный фильтр

ЭКСПЛУАТАЦИЯ

▲ВНИМАНИЕ: Во время работы с пылесосом не приближайте лицо слишком близко к вентиляционному отверстию. Попадание в глаза посторонних предметов может привести к травме.

Установка или удаление насадки пылесоса

▲ВНИМАНИЕ: После установки насадки убедитесь в надежности ее установки. При неправильной установке насадки она может соскочить и нанести травму.

▲ВНИМАНИЕ: При снятии насадки будьте осторожны, чтобы не удариться рукой о стену и т. д.

При использовании насадки с фиксацией

Для установки насадки вставьте ее во впускное отверстие пылесоса до щелчка. Убедитесь в том, что насадка зафиксирована.

► **Рис.20:** 1. Впускное отверстие 2. Насадка с фиксацией 3. Крючок

ПРИМЕЧАНИЕ: При установке насадки с фиксацией убедитесь в том, что кнопка разблокировки совмещена с крючком на насадке. Если их не совместить, труба не будет зафиксирована и может соскочить с пылесоса.

Для удаления потяните за насадку, нажав кнопку разблокировки.

► **Рис.21:** 1. Кнопка разблокировки 2. Насадка с фиксацией

При использовании насадки без фиксации

▲ВНИМАНИЕ: Для подсоединения насадки без фиксации поверните и вставьте ее в указанном стрелкой направлении, чтобы зафиксировать соединение. Чтобы отсоединить насадку, поверните и извлеките ее также в направлении, указанном стрелкой. Если насадку повернуть в обратном направлении, контейнер может отсоединиться.

► **Рис.22**

Чистка (всасывание)

Насадка

Прикрепите насадку для чистки столов, письменных столов, мебели и т. д. Насадка легко скользит.

► **Рис.23:** 1. Насадка

Насадка + удлиняющая труба (прямая труба)

Удлиняющая труба вставляется между насадкой и самим пылесосом. С помощью такого приспособления удобно чистить полы стоя.

► **Рис.24:** 1. Корпус пылесоса 2. Удлиняющая труба 3. Насадка

Угловая насадка

Прикрепите угловую насадку для чистки углов и щелей автомобилей или мебели.

► **Рис.25:** 1. Угловая насадка 2. Корпус пылесоса

Угловую насадку можно хранить в держателе насадки.

► **Рис.26:** 1. Держатель насадки 2. Угловая насадка

▲ВНИМАНИЕ: Будьте осторожны, чтобы не защемить пальцы между угловой насадкой и держателем насадки. Защемление пальцев может привести к травме.

Угловая насадка + удлиняющая труба (прямая труба)

Используйте это приспособление в тесных углах, где невозможно поместить сам пылесос, или в труднодоступных высоких местах.

► **Рис.27:** 1. Угловая насадка 2. Удлиняющая труба 3. Корпус пылесоса

Чистка без насадки

Мелкие частицы и пыль можно собирать без насадки.

► **Рис.28**

Для сбора пыли с пола в положении стоя к пылесосу для удобства можно прикрепить удлиняющую трубу.

► **Рис.29:** 1. Удлиняющая труба

ОБСЛУЖИВАНИЕ

▲ВНИМАНИЕ: Перед проведением проверки или работ по техобслуживанию всегда проверяйте, что инструмент выключен, а блок аккумулятора снят.

Для обеспечения БЕЗОПАСНОСТИ и НАДЕЖНОСТИ оборудования ремонт, любое другое техобслуживание или регулировку необходимо производить в уполномоченных сервис-центрах Makita или сервис-центрах предприятия с использованием только сменных частей производства Makita.

После использования

ВНИМАНИЕ: Если прислонить пылесос к стене без дополнительных опор, это может привести к его падению, повредить его или стать причиной травмы.

► Рис.30

Очистка

ПРИМЕЧАНИЕ: Запрещается использовать бензин, растворители, спирт и другие подобные жидкости. Это может привести к обесцвечиванию, деформации и трещинам.

ПРИМЕЧАНИЕ: Не удаляйте пыль с пылесоса и фильтров с помощью пылеуловителя. При этом пыль попадает внутрь корпуса, что становится причиной неполадок.

ПРИМЕЧАНИЕ: После промывки фильтров высушите их перед использованием. Использование влажного фильтра может привести к плохому всасыванию и уменьшить срок службы двигателя.

ПРИМЕЧАНИЕ: Очистив основной и губчатый фильтры, установите их на место перед использованием. При эксплуатации пылесоса без основного и губчатого фильтров пыль попадает в корпус двигателя и вызывает неполадки.

Корпус пылесоса

Время от времени протирайте внешнюю часть (корпус) пылесоса с помощью тряпки, смоченной мыльной водой.

Также прочистите всасывающее отверстие и область установки фильтра.

► Рис.31

Высокоэффективный фильтр

Когда в фильтре скопится пыль и мощность пылесоса уменьшится, промойте фильтр в мыльной воде. Тщательно высушите его перед использованием.

► Рис.32

Фильтр HEPA

Дополнительные принадлежности

ПРИМЕЧАНИЕ: Не трите и не скребите фильтр HEPA твердыми предметами, например щеткой или скребком.

Засоренный фильтр HEPA снижает эффективность всасывания. Периодически очищайте фильтр.

Периодически промывайте фильтр HEPA водой, прополаскивая и тщательно просушивая перед использованием. Запрещено мыть фильтр в стиральной машине.

► Рис.33

Губчатый фильтр

Ниже описана процедура очистки губчатого фильтра.

1. Снимите основной фильтр.
 2. Вытяните губчатый фильтр из проема между стойками.
 3. Очистите губчатый фильтр, постучав по нему или промыв. В случае промывки тщательно высушите фильтр перед использованием.
 4. Вставьте фильтр в проем между стойками в его исходное положение. Убедитесь, что губчатый фильтр плотно прижат к нижнему краю стоек и между ним и всасывающим отверстием нет зазора.
- Рис.34: 1. Губчатый фильтр 2. Нижний край стоек

Настенное крепление для аккумуляторного пылесоса

Дополнительные принадлежности

ПРИМЕЧАНИЕ: Винт для крепления держателя в комплект не входит. Выберите винт в соответствии с типом материала.

Прикрепите настенное крепление для аккумуляторного пылесоса к стене, балке или колонне, сделанным из твердой древесины, где можно надежно закрепить аккумуляторный пылесос. Перед креплением пылесоса всегда проверяйте, чтобы настенное крепление для аккумуляторного пылесоса было надежно закреплено.

► Рис.35: 1. Настенное крепление для аккумуляторного пылесоса

ВНИМАНИЕ: Вешайте пылесос на настенное крепление осторожно и не вешайте никакие другие устройства, кроме пылесоса.

Устранение неполадок

Перед ремонтом проверьте следующее.

Признак	Что проверить	Способ крепления
Недостаточная сила всасывания	Контейнер заполнен пылью?	Опорожните контейнер.
	Фильтр засорен?	Очистите или вымойте фильтр.
	Блок аккумулятора разряжен?	Зарядите блок аккумулятора.
Не работает	Блок аккумулятора разряжен?	Зарядите блок аккумулятора.
Шум и вибрация	Фильтр засорен?	Очистите или промойте фильтр.
	Насадка, труба или впускное отверстие всасывания прибора засорены?	Извлеките предметы, которые привели к засорению, из насадки, трубы или впускного отверстия всасывания прибора.
	Впускное отверстие насадки или трубы заблокировано?	Не блокируйте впускное отверстие насадки или трубы.

⚠ВНИМАНИЕ: Не пытайтесь ремонтировать пылесос самостоятельно.

ДОПОЛНИТЕЛЬНЫЕ ПРИНАДЛЕЖНОСТИ

⚠ВНИМАНИЕ: Данные принадлежности или приспособления рекомендуются для использования с инструментом Makita, указанным в настоящем руководстве. Использование других принадлежностей или приспособлений может привести к получению травмы. Используйте принадлежность или приспособление только по указанному назначению.

Если вам необходимо содействие в получении дополнительной информации по этим принадлежностям, свяжитесь с вашим сервис-центром Makita.

- Удлиняющая труба (прямая труба)
- Насадка
- Насадка для чистки ковра
- Щетка для чистки полок
- Угловая насадка
- Круглая щетка
- Гибкий шланг
- Фильтр
- Фильтр предварительной очистки
- Высокоэффективный фильтр
- Фильтр HEPA
- Насадка
- Насадка для очистки сиденья
- Сопло для чистки щелей
- Настенное крепление для аккумуляторного пылесоса
- Циклонный фильтр
- Сумка для инструмента
- Оригинальный аккумулятор и зарядное устройство Makita

ПРИМЕЧАНИЕ: Некоторые элементы списка могут входить в комплект инструмента в качестве стандартных приспособлений. Они могут отличаться в зависимости от страны.

Циклонный фильтр

- **Рис.36:** 1. Кнопка разблокировки 2. Крючок
3. Прямая труба 4. Циклонный фильтр
5. Впускное отверстие

Информация о циклонном фильтре

Использование пылесоса с циклонным фильтром уменьшает попадающее в контейнер количество пыли, предотвращая снижение силы всасывания. Кроме того, это значительно упрощает очистку после использования.

⚠ВНИМАНИЕ: Перед проведением каких-либо работ с инструментом обязательно отключите инструмент и извлеките блок аккумулятора. Если блок аккумулятора оставить в устройстве, пылесос может неожиданно запуститься и стать причиной травмы.

⚠ВНИМАНИЕ: Очищайте сетчатый фильтр циклонного фильтра и фильтры пылесоса, когда они засоряются. Дальнейшее использование в засоренном состоянии может привести к нагреванию или появлению дыма.

ПРИМЕЧАНИЕ: Не используйте пылесос с установленным циклонным фильтром в горизонтальном положении или в положении, когда пылесос направлен вверх. Это может привести к засорению сетчатого фильтра.

ПРИМЕЧАНИЕ: Всегда используйте пылесос с установленными фильтрами даже при использовании циклонного фильтра. Использование пылесоса без установленных фильтров может привести к неисправности двигателя.

ПРИМЕЧАНИЕ: Перед использованием убедитесь в том, что циклонный фильтр, пылесос и прямая труба зафиксированы надлежащим образом.

ПРИМЕЧАНИЕ: Опорожняйте корпус для сбора пыли циклонного фильтра и контейнер пылесоса при заполнении пылью. Дальнейшее использование может привести к снижению силы всасывания.

ПРИМЕЧАНИЕ: Вы также можете использовать циклонный фильтр без фиксации.

ПРИМЕЧАНИЕ: Порядок установки или удаления циклонного фильтра см. в разделе “Установка или удаление насадки пылесоса”.

2. Удалите пыль из сетчатого фильтра и промойте его водой. После этого тщательно просушите его.

3. Вставьте сетчатый фильтр в основание таким образом, чтобы крючки расположились на одной линии с отверстием. Поверните сетчатый фильтр по часовой стрелке до фиксации крючков со щелчком. Убедитесь в том, что сетчатый фильтр надежно зафиксирован.

► **Рис.41:** 1. Сетчатый фильтр 2. Крючок 3. Отверстие

Удаление пыли

При заполнении пылью до уровня линии заполнения в корпусе для сбора пыли выполните описанную далее процедуру и утилизируйте пыль.

1. Крепко удерживая корпус для сбора пыли, нажмите и удерживайте две кнопки, после чего снимите корпус для сбора пыли.

► **Рис.37:** 1. Линия заполнения 2. Корпус для сбора пыли 3. Кнопка (два положения) 4. Сетчатый фильтр

2. Удалите пыль из корпуса для сбора пыли и удалите пыль и мелкую пыль с поверхности сетчатого фильтра.

3. Полностью вставьте корпус для сбора пыли таким образом, чтобы две кнопки зафиксировались со щелчком.

► **Рис.38:** 1. Корпус для сбора пыли 2. Кнопка (два положения)

ПРИМЕЧАНИЕ: Перед возобновлением работы убедитесь в том, что циклонный фильтр, пылесос и прямая труба зафиксированы надлежащим образом.

ПРИМЕЧАНИЕ: Если сила всасывания не восстановится даже после удаления пыли и очистки сетчатого фильтра, убедитесь в том, что пыль не скопилась в контейнере пылесоса, или в том, что не произошло засорения.

ПРИМЕЧАНИЕ: Пыль при удалении из циклонного фильтра может подняться в воздух. Соблюдайте осторожность, чтобы пыль не попала в глаза.

Очистка

Когда загрязнится корпус для сбора пыли или засорится сетчатый фильтр, извлеките и промойте их водой. (Процедуру удаления см. в разделе “Утилизация пыли”).

Тщательно просушите детали перед повторной установкой и использованием.

► **Рис.39:** 1. Корпус для сбора пыли 2. Сетчатый фильтр

Если сетчатый фильтр сильно загрязнен, очистите его, выполнив указанные далее процедуры.

1. Поверните сетчатый фильтр против часовой стрелки и извлеките его, пока крючки находятся в незафиксированном положении.

► **Рис.40:** 1. Сетчатый фильтр 2. Крючок

Makita Europe N.V. Jan-Baptist Vinkstraat 2,
3070 Kortenberg, Belgium

Makita Corporation 3-11-8, Sumiyoshi-cho,
Anjo, Aichi 446-8502 Japan

www.makita.com

885886A986
EN, SV, NO, FI, DA,
LV, LT, ET, RU
20210805