

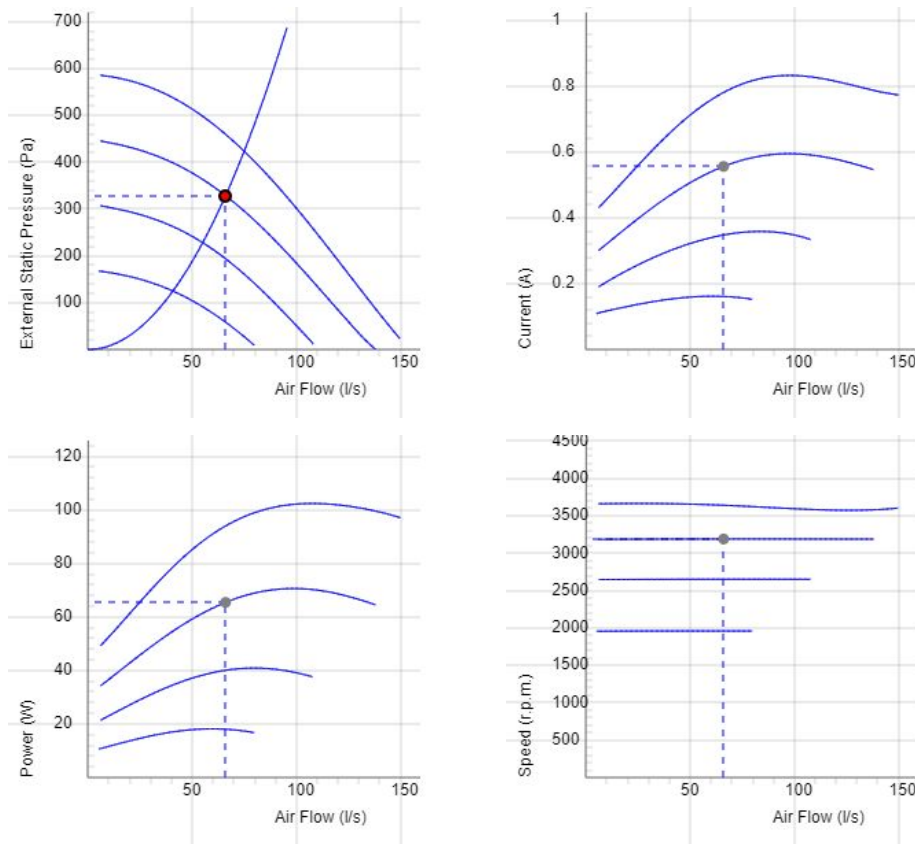
TKS 300 C EC



- Roof fan with square connection.
- Horizontal outlet.
- High performance and proven reliability.
- Impeller with backward curved blades.
- The external rotor motor has maintenance-free sealed ball-bearings and is very energy efficient.
- Speed controlling can be done with the built-in potentiometer, 0-10 V alt. external control.
- Integrated motor protection.
- Junction box has enclosure class IP 54.
- Fan housing is manufactured from galvanized sheet steel which is polyester plastic coated in black as standard.
- Swing-up design to simplify maintenance and cleaning of the impeller.
- The easiest way to mount the roof fan is with a roof curb, TFU to TKS.
- The fan complies with environmental requirement M2.



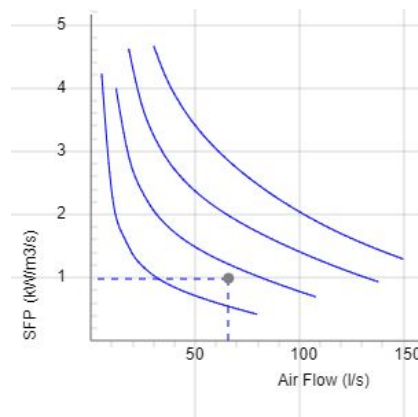
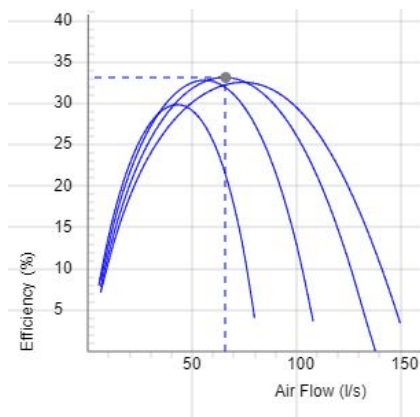
DIAGRAMS



Data

Air Flow (l/s) 66	External static pressure (Pa) 328	Power (W) 65.4	Speed (r.p.m.) 3189	Current (A) 0.557	Voltage (V) 8
----------------------	--------------------------------------	-------------------	------------------------	----------------------	------------------

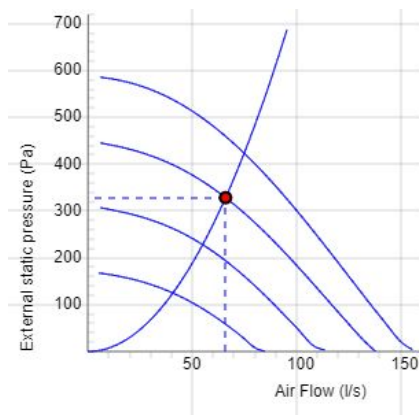
DIAGRAMS



DATA

Efficiency (%)	33.1
SFP (kW/m ³ /s)	0.992

SOUND DATA



	Tot	63	125	250	500	1k	2k	4k	8k
Inlet Lw dB(A)	70	57	58	62	65	61	61	61	54
Surrounding Lw dB(A)	69	35	41	56	62	65	63	56	49
Surrounding Lp dB (A) 20m ² Sabine, hemispherical 3m	62								

Data - SOUND

Air Flow (l/s)	External static pressure (Pa)	Power (W)	Speed (r.p.m.)	Current (A)	Efficiency (%)	SFP (kW/m ³ /s)	Voltage (V)
66	328	65.4	3189	0.557	33.1	0.992	8

TECHNICAL DATA

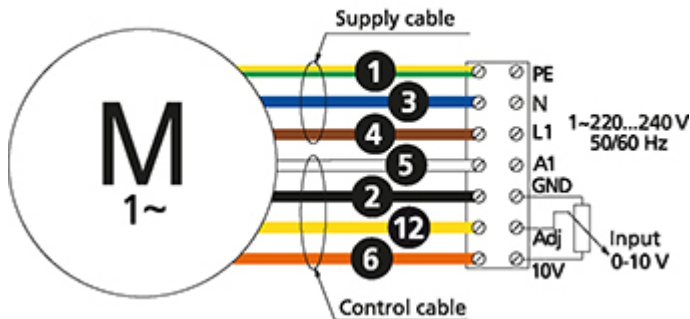
Parameter	TKS 300 C EC Black 7210073		TKS 300 C EC Black w cable 7210074		TKS 300 C EC Brick red w cable 7210076	
	Value	Unit	Value	Unit	Value	Unit
Voltage	230	V	230	V	230	V
Phase	1	~	1	~	1	~
Frequency	50/60	Hz	50/60	Hz	50/60	Hz
Power	102	W	102	W	102	W
Current	0.83	A	0.83	A	0.83	A
Speed	3590	r.p.m.	3590	r.p.m.	3590	r.p.m.
Max. temperature of transported air	60	°C	60	°C	60	°C
Max. temperature of transported air when speed controlled	60	°C	60	°C	60	°C
Sound pressure level at 3 m	65	dB(A)	65	dB(A)	65	dB(A)
Weight	4.4	kg	4.4	kg	4.4	kg
Enclosure class	54	IP	54	IP	54	IP
Insulation class, motor	F		F		F	
Capacitor	-	µF	-	µF	-	µF
Duct connection	300x300	mm	300x300	mm	300x300	mm
Max. flow @ 0Pa	154	l/s	154	l/s	154	l/s
Max. pressure	586	Pa	586	Pa	586	Pa
Voltage range	220-240	V	220-240	V	220-240	V

PRODUCT INFORMATION SHEET

Parameter	Value	Unit
(a) Manufacturer	Östberg	-
(b) Model code	TKS 300 C EC	-
(c) Declared type	NRVU / UVU	-
(d) Type of drive	Variable speed drive	-
(e) Type of HRS	N/A	-
(f) Thermal efficiency	N/A	%
(g) Nominal flow rate	0.069	m ³ /s
(h) Effective power input	0.096	kW
(i) SFP int	N/A	W/(m ³ /s)
(j) Face velocity	N/A	m/s
(k) Nominal external pressure	458	Pa
(l) Internal pressure drop	N/A	Pa
(n) Static efficiency	42.1	%
(o) External (and internal) leakage rate	N/A (N/A)	%
(p) Filter classification	N/A	%
(q) Visual filter warning	N/A	-
(r) Sound power level	72	dB LwA
(s) Disassembly instructions	www.ostberg.com	-

WIRING DIAGRAM

4040180



(M) = Fan Motor

(M1) = Fan Motor

(M2) = Fan Motor

(M3) = Rotor Motor

1 = Yellow/Green

2 = Black

3 = Blue

4 = Brown

5 = White

6 = Orange

7 = Grey

8 = Red

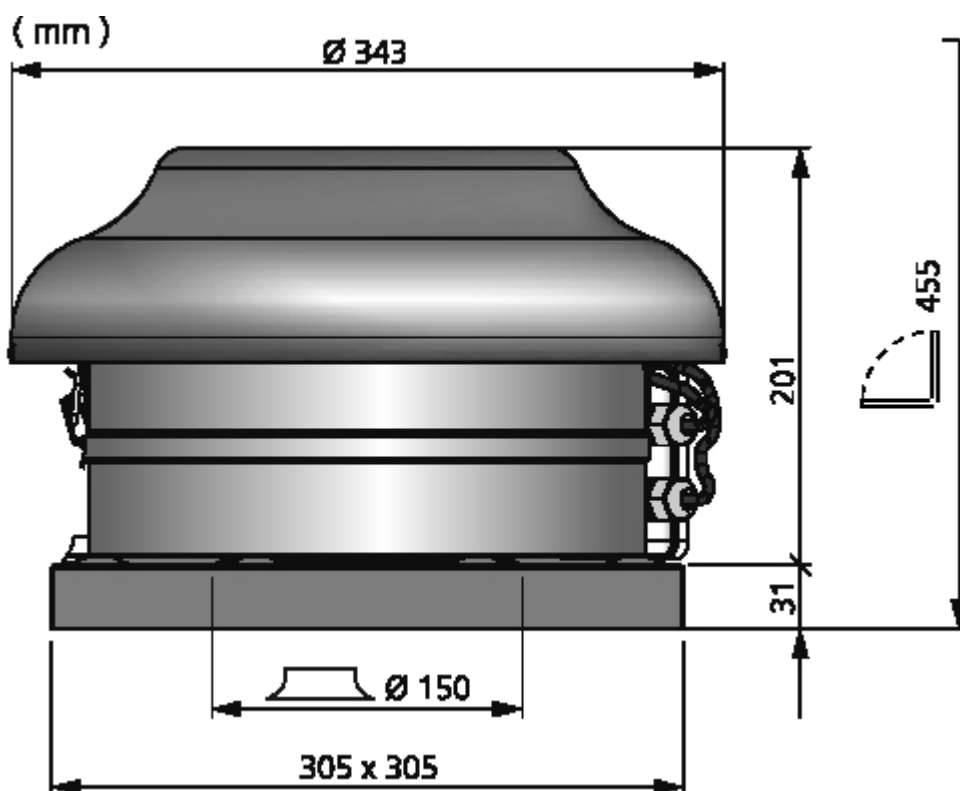
9 = Green

10 = Violet

11 = Quick switch

12 = Yellow

DIMENSIONS



ACCESSORIES

Mechanical accessories



Roof curb TFU 300



Connection plate TFU 300



Back draught shutter
TFU 300

Electrical accessories



Controller IQ-Reg EC



Speed controller MS
EC



Pressure regulator
CALAIR-PR-230V



Pressure regulator
FKP-R