



***Pullman
Ermator***

OPERATING INSTRUCTIONS

Air scrubber

A1000

A2000

Introduction

Dear Customer,
Thank you for choosing Pullman-Ermator as your supplier.

We hope that the Pullman-Ermator air cleaner will be to your satisfaction and meet your expectations.

Pullman-Ermator has been manufacturing professional dust extractors since 1967 and has over the years acquired a genuine technical knowledge in this area. We continuously strive to improve in our product segment and will continue to supply the market with new equipment.

Please feel free to browse information about our product programme on our web site www.pullman-ermator.se.

Notice!

These instructions are only for the air cleaner type Pullman-Ermator A1000/A2000.

The air cleaner, Pullman-Ermator A1000/A2000 can only be used with dry, non-explosive materials.

Pullman-Ermator will not be held responsible if the air cleaner is used for other applications or has been used in ways other than those outlined in this instruction manual.

Before using the machine, please read the safety regulations carefully.

Read the complete instruction manual before using the Pullman-Ermator A1000/A2000.

All spare parts used for the Pullman-Ermator A1000/A2000 must those specified by Pullman-Ermator AB.

Unpacking

When unpacking the machine, please check that the air cleaner has not been damaged in transport.

Safety Instructions

Handling

Warning

- Cables damaged through crushing or splitting can be dangerous if used and should be replaced immediately. Risk of personal injury.

Warning

- Do not connect the machine to an unearthed socket. Risk of personal injury.

Warning

- Make sure the assembly area is firm, so the air cleaner does not tip over. Risk of personal and material injury.

Warning

- Risk of pinching when handling the toggle fastener.

Warning

- The machine must not be used in environments where explosive gases may be present. Serious risk of explosion

Warning

- The machine should be turned off at the switch before releasing the power lead from the wall outlet. If the switch is in the on position, a spark can occur between the contact on the power lead contact.

Service

Warning

- Remove the plug from the wall socket when carrying out maintenance work. Risk of personal injury.

Warning

- Dust that is hazardous to health can be spread when the coarse filter and the absolute filter are replaced. Accordingly, the user should wear protective glasses, protective gloves, and a breathing mask conforming to protection class FFP2

Warning

- Do not puncture the absolute filter. Risk of dust dispersion.

Function

Connect the lead to the power outlet, attach the outlet hose if available. Start the machine by pressing the start knob. The air cleaner has two speeds.

The air cleaner separates material in two stages:

The first stage uses a coarse filter. This traps the bigger particles and acts as protection for the main filter. The coarse filter should be changed on a daily basis.

The second absolute filter separates the unhealthy dust that is invisible to the eye.

Coarse filter characteristics

The coarse filter is strong and easy to change. It has low pressure drop and good separation capability. The coarse filter takes care of big particles and acts as protection for the absolute filter.

Main filter characteristics

The main filter is an absolute filter with class HEPA H13 that is dimensioned for fine, dry dust and should be preceded by a pre-filter.

Caution

- The operating life of the absolute filter decreases and can be completely destroyed if exposed to water.

Caution

- The absolute filters cannot be cleaned and must be replaced when full.

Filter indicator

A1000/A2000 has two filter indicators connected to a warning light which measures the pressure drop over the filter. If the pressure drop is too high, a orange lamp light up, indicating that the absolute filter should be changed. Using the air cleaner when light is showing will reduce the effectiveness of the machine. When the pressuredrop is too low, a red lamp will light up, indicating that the Hepa filter is leaking/damaged and needs to be replaced immediately.

Fan

The air cleaner is equipped with a single, 1 phase fan.

Risk of dust dispersion - Use of personal safety equipment

Unhealthy dust can be spread when cleaning the coarse filter and during filter change.

Accordingly, the user should wear protective glasses, protective gloves, and a breathing mask conforming to protection class FFP2.

Accessories

PART NO.	DESCRIPTION	No./machine	Machine
200900275	Coarse filter	1 pc	A1000
200700532	Hepafilter	1 pc	A1000
200900224	Coarse filter	1 pc	A2000
10085	Hepafilter	1 pc	A2000

Contact your local representative for other spare parts.

Warranty

All Pullman-Ermator devices and accessories have a 12-month factory warranty for material and manufacturing defects. When returning the attached warranty slip, the warranty extends to 36 months. Do not attempt to repair the suction apparatus without the consent of the manufacturer. The warranty does not cover defects which are the result of normal wear and tear, negligence, defective use, unauthorised repair or the suction apparatus being connected to the incorrect voltage. In the event of any complaint, the suction apparatus or an agreed part of it must be returned to us or our authorised representative for warranty examination and for any warranty repair or replacement.

PROBLEM SOLVING

The A1000/A2000 is designed and manufactured for a severe environments and tasks, but the user must note that the machine components must be protected from knocks and blows. Filter and sealing connections are carefully chosen to serve the operator. Therefore, the machine must be handled with care if it is to work correctly for many years.

Problem	Cause	Procedure
The fan does not start	No power Cable defective Switch defective	Connect the machine Change Change
The fan stops immediately	Wrong fuse	Connect the correct fuse
The fan runs, but suction is poor	Blocked filter Cover loose Sealing defect	Change filter Adjust Change current seal
Dust blows from unit	Defective or loose filter	Adjust or change
Abnormal noise		Order service

Keep these instructions!

TEKNISK DATA

TECHNICAL DATA

Luftrenare / Air cleaner	A1000	A2000
Voltage	230 VAC (1-phase)	230 VAC (1-phase)
Max power output	285 W (full speed)	600 W (full speed)
Max Airflow 2 speed	1000 m ³ /h	2000 m ³ /h
Pre filter size	0,16 m ²	0,64 m ²
HEPA FILTER		
Filter classification	H13	H13
Filter Area	3,5 m ²	10,5 m ²
Sound level 2 speed	58 / 65 dB(A)	60 / 68 dB(A)
Sound level LxBxH (mm)	465x385x466	724x424x810
Weight	19 kg	38 kg

**OM ÖVERENSSTÄMMELSE
DECLARATION OF CONFORMITY
DECLARATION DE CONFORMITÉ
ERKLÄRUNG DER ÜBERSTIMMUNG
SAMSVARERKLØRING**

**Pullman Ermator AB
Industrivägen 10
S-777 34 SMEDJEBACKEN**

*Försäkrar under eget ansvar att maskinen
Declare under our sole responsibility that the machine
Certifie sous sa propre responsabilité que le produit ciaprès
Versichern auf eigener verantwortung, dass das Produkt
Forsikrer under eget ansvar at maskinen*

**A1000
A2000**

**Nr./No:00900061 0001-xxxx
Nr./No:00900062 0001-xxxx**

Tillv.år/Manufact.year/Baujahr: 2010-

*som omfattas av denna försäkring är i överensstämmelse med standarder:
included in this declaration, follows the provisions of the:
est conforme aux aux normes suivantes:
den folgenden Normen entspricht:
er i overensstemmelse med standarder:*

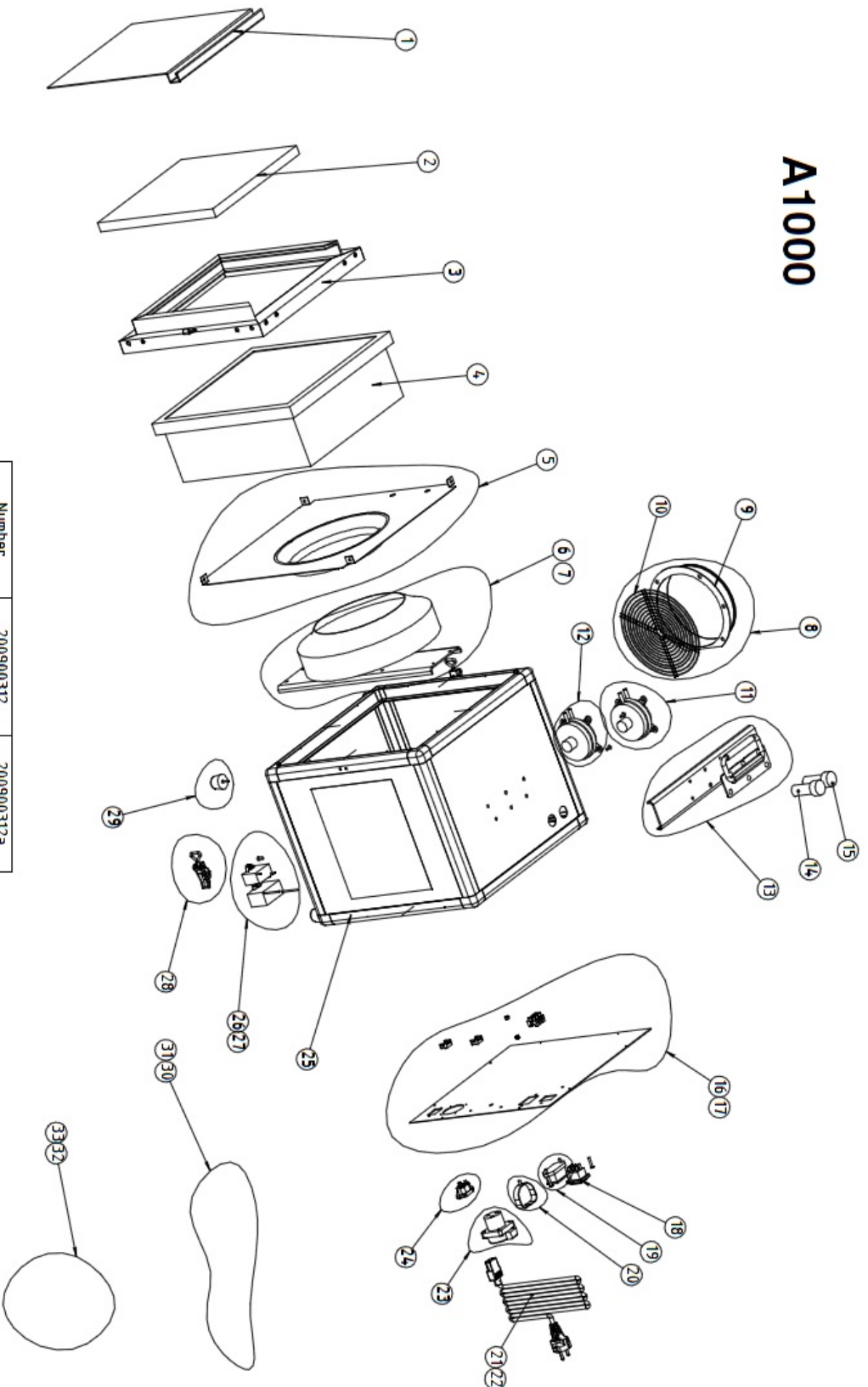
**SS-EN 292-1, SS-EN 60 204-1 (1993.11.30)
SS-EN 55011:1989
SS-EN 50082-1
SS-EN 60335-1, SS-EN 60335-2-69 & A1**

enligt villkoren i/according to/selon/laut/i henhold til villkårene i
**Machine Directive 98/37/EEG
Low Voltage Directive 73/23/EEG
EMC Directive 89/336/EEG**

SMEDJEBACKEN 2006.01.01

**Torbjörn Bengtsson
VD
General Manager**

A1000

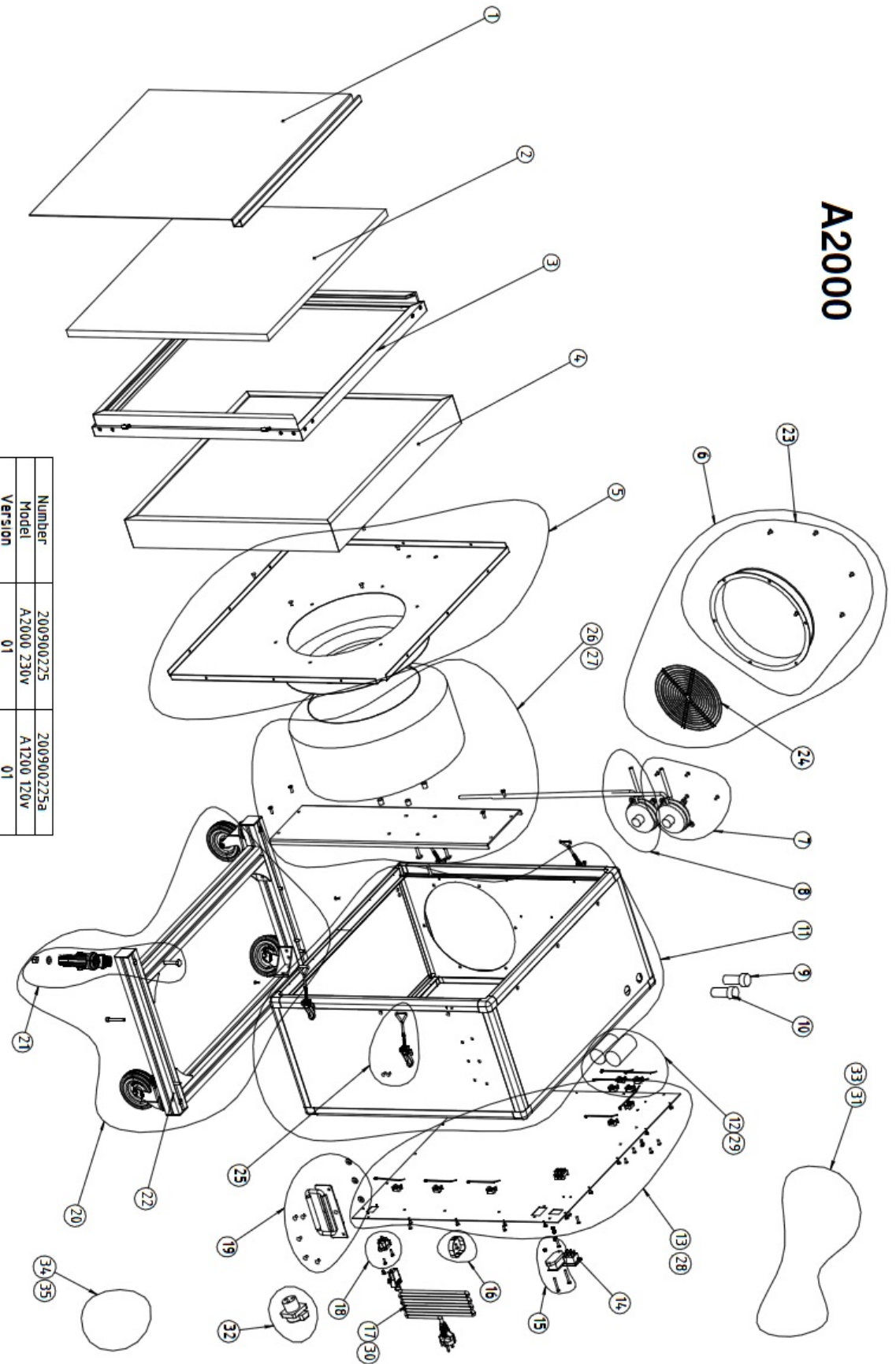


Number	200900312	200900312a
Model	A1000 230V	A600 120V
Version	01	01

A1000

POS.	QTY.	NUMBER	DESCRIPTION
1	1	201000112	Pre-Filter protect cover ex.A600&A1000
2	1	200900275	Pre-filter A1000 12x12x1 inch ex.A600&A1000
3	1	201000370	Front frame cover for A1000&A600 complete assy
4	1	200700532	Filter
5	1	201000340	Front fan cover assembly ex.A600&A1000
6	1	201000356	Fan assembly set ex.A1000 230v
7	1	201000357	Fan assembly set ex.A600 120v
8	1	201000358	Air outlet set ex.A600&A1000
9	1	201000359	Air outlet without net ex.A600&A1000
10	1	201000360	Air outlet net with pop rivert ex.A600&A1000
11	1	201000344	Pressure sensor set ex.A-line
12	1	201000344a	Pressure sensor set ex.A-line
13	1	201000361	Handle set ex.A600&A1000
14	1	200900311a	Sound alarm 80dB yellow lamp
15	1	200900311	Sound alarm 80dB red lamp
16	1	201000362	Backside plate set ex.A1000 230v
17	1	201000363	Backside plate set ex.A600 120v
18	1	6362109	Switch
19	1	201000133	Counter set
20	1	201000347	Cable fix set
21	1	200900113	Power cord set ex.A-Line 230v
22	1	200900336	Power core set 16AWG X3C 120v
23	1	1362191	ELECTRICAL OUTLET KIT ex. A-line 230v
24	1	201000339	Powerhlet Kit ex.A-line
25	1	201000364	AI frame box ex.A600&A1000
26	1	201000365	Capacitor set ex.A1000 230v
27	1	201000342	Capacitor set ex.A-line 120v
28	2	201000366	Lock set ex.A600&A1000
29	4	201000367	Rubber foot kit
30	1	200900295	Cable kit A1000 230v
31	1	200900295a	Cable kit A600 120v
32	1	201000368	Screw and nut set ex.A1000 230v
33	1	201000369	Screw and nut set ex.A600 120v

A2000



Number	200900225	200900225a
Model	A2000 230V	A1200 120V
VERSION	01	01

A2000

POS.	QTY.	NUMBER	DESCRIPTION
1	1	201000111	Pre-Filter protect cover ex.A1200&A2000
2	1	200900224	Pre- filter of A2000
3	1	201000299	Front frame cover for A1200&A2000 sub assy
4	1	10085	Filter of A2000
5	1	201000335	Front fan inlet cover ex.A1200&A2000
6	1	201000341	Air outlet set ex.A1200&A2000
7	1	201000344	Pressure sensor set ex.A-line
8	1	201000344a	Pressure sensor set ex.A-line
9	1	200900311	Sound alarm 80dB red lamp
10	1	200900311a	Sound alarm 80dB yellow lamp
11	1	201000345	AL frame box ex A1200&A2000
12	1	201000342	Capacitor set ex.A-line 120v
13	1	201000346	Backside plate set ex.A1200
14	1	6362109	Switch
15	1	201000133	Counter set
16	1	201000347	Cable fix set
17	1	200900336	Power core set 16AWG X3C 120v
18	1	201000339	PowerInlet Kit ex.A-line
19	2	201000338	Handle set ex.A1200&A2000
20	1	201000337	Carrier assembly
21	4	201000343	Front wheel set ex.A1200&A2000
22	1	201000280	Wheel frame assembly kit
23	1	201000348	Air outlet without net ex.A1200&A2000
24	1	201000349	Air outlet net with pop rivert
25	4	201000350	Lock set ex. A1200&A2000
26	1	201000336	Fan assembly set ex.A1200 120v
27	1	201000351	Fan assembly set ex.A2000 230v
28	1	201000352	Backside plate set ex.A2000 230v
29	1	201000353	Capacitor set ex.A2000 230v
30	1	200900113	Power cored set ex.A2000 230v
31	1	200900329a	Cable kit A1200 120v
32	1	1362191	ELECTRICAL OUTLET KIT ex. A2000 230v
33	1	200900329	Cable kit A1200 ex.A2000 230v
34	1	201000354	Screw and nut set ex.A1200 120v
35	1	201000355	Screw and nut set ex.A2000 230v

Pullman-Ermator AB
Industrivägen 10
777 34 Smedjebacken
Tel: +46 (0)240 66 09 60
Fax: +46 (0)240 66 30 60
Email: info@pullman-ermator.se

