



AC4504 AC24016 AC12810

Operating Manual

Mode d'Emploi

Betriebsanleitung

Gebruiksaanwijzing

Bruksanvisning

Käyttöohjeet ja osalista

Air Compressor, oil-less type

Compresseur d'air, modele sans huile

Kompressor, Typ - ölfrei

Compressor, Olieloos type

Luftkompressor, oljefritt utförande

Kompressorit, öljytön



Warnings for the safe use of this compressor are included in this manual



Read and understand this manual



GB 2

FR 10

DE 18

NL 26

SE 33

SF 41



AC4504

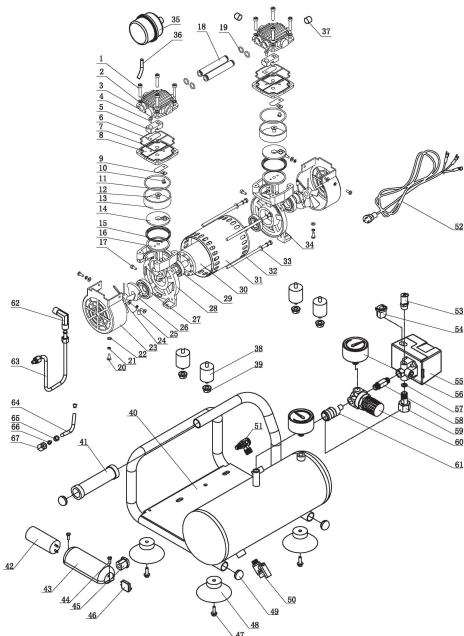


AC24016



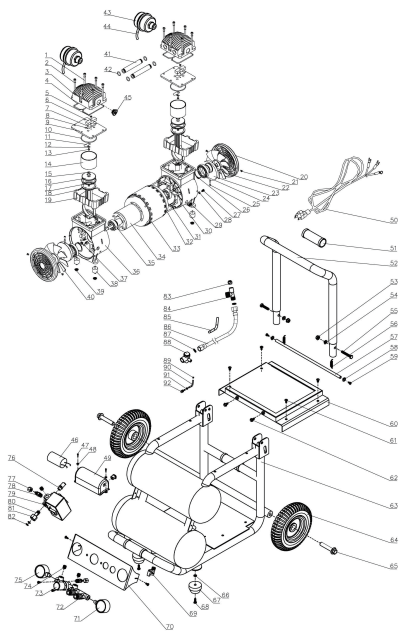
AC12810

1- DENOMINATION OF THE COMPONENTS



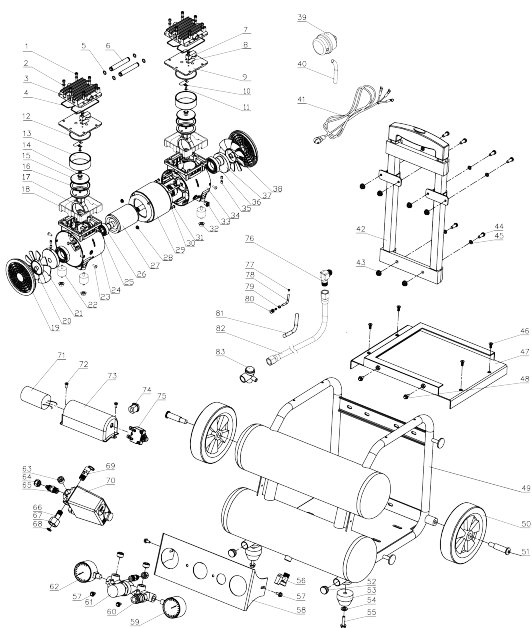
AC4504

- | | | | |
|---------------------------|---------------------|-----------------------|-----------------------|
| 01) Screw | 18) Gas-guide Tube | 35) Air Filter | 52) Power Cord |
| 02) Cushion | 19) O-ring | 36) Hush Pipe | 53) Safty Valve |
| 03) Cylinder Head | 20) Screw | 37) Choke plug | 54) Power Cord Buckle |
| 04) Screw | 21) Cushion | 38) Shock Pad | 55) Pressure Switch |
| 05) Limit Range Implement | 22) Flat washer | 39) Nut | 56) Pressure Gauge |
| 06) Valve Block | 23) Wind Scooper | 40) Horizontal Tank | 57) Gasket |
| 07) Seal | 24) Fan | 41) Handle Sleeve | 58) Double Joint |
| 08) Valve Board | 25) Screw | 42) Capacity | 59) Flexible Joint |
| 09) Valve plate clamp | 26) Crank | 43) Capacity Cover | 60) Regulator Valve |
| 10) Screw | 27) Bearing | 44) Screw | 61) Quick Connect |
| 11) O-Ring | 28) Left Crankcase | 45) Power Cord Buckle | 62) Elbow |
| 12) Screw | 29) Bearing | 46) Protector | 63) Exhaust Pipe(AI) |
| 13) Cylinder | 30) Motor Rator | 47) Scew | 64) Unloading Pipe |
| 14) Valve Board | 31) Motor Staotr | 48) Foot Pad | 65) Cutting Sleeve |
| 15) Piston Cup | 32) Bolt | 49) Apertural Plug | 66) Lining |
| 16) Connecting Rod | 33) Flat washer | 50) Ball Valve | 67) Nut |
| 17) Screw | 34) Right Crankcase | 51) Check Valve | |



AC24016

- | | | | |
|----------------------------|--|----------------------|------------------------|
| 01) Screw | 24) Bearing | 47) Screw | 70) Instrument panel |
| 02) Cushion | 25) Screw | 48) Flat washer | 71) Pressure Gauge |
| 03) Cylinder Head | 26) circlip for shaft | 49) Capacity Cover | 72) Quick Connect |
| 04) Seal | 27) Screw | 50) Power Cord | 73) Regulator Valve |
| 05) Screw | 28) Serrated Lock Washers Internal Teeth | 51) Handle Sleeve | 74) Screw |
| 06) Limit Range Implement | 29) Power Cord Buckle | 52) Handle | 75) Pressure Gauge |
| 07) Valve Block | 30) Right Crankcase | 53) Nut | 76) Safty Valve |
| 08) Valve Block | 31) Cushion | 54) Flat washer | 77) Nut |
| 09) Valve Board | 32) Bolt | 55) Bolt | 78) straight joint |
| 10) O-Ring | 33) Motor Staotr | 56) Extension Spring | 79) Pressure Switch |
| 11) Valve Block | 34) Motor Rator | 57) Hand Rod | 80) Flexible Joint |
| 12) Valve plate clamp | 35) Bearing | 58) Flat washer | 81) Flexible Joint Nut |
| 13) Screw | 36) Left Crankcase | 59) Screw | 82) Gasket |
| 14) Cylinder | 37) Nut | 60) Tool Plate | 83) Soft Starter |
| 15) Screw | 38) Shock Pad | 61) Screw | 84) Three-way |
| 16) Valve Board | 39) Nut | 62) Bolt | 85) Nylon Pipe |
| 17) Piston Cup | 40) B Fan | 63) Tank | 86) Exhaust Pipe |
| 18) Connecting Rod | 41) Gas-guide Tube | 64) Foot Wheel | 87) Seal cushion |
| 19) Heightening the lining | 42) O-Ring | 65) Wheel shaft | 88) Check Valve |
| 20) Wind Scooper | 43) Air Filter | 66) Flat washer | 89) Lining |
| 21) Screw | 44) Hush Pipe | 67) Foot Pad | 90) Unloading Pipe |
| 22) A Fan | 45) Plug | 68) Bolt | 91) Cutting Sleeve |
| 23) Crank | 46) Capacity | 69) Ball Valve | 92) Nut |



AC12810

- | | | | |
|-----------------------------|-----------------------|---------------------------|------------------------|
| 01) Screw | 23) Screw | 45) Washer | 67) Flexible Joint Nut |
| 02) Flat washer | 24) Left Crankcase | 46) Screw | 68) Gasket |
| 03) Cylinder Head | 25) Screw | 47) Tool Board | 69) Safty Valve |
| 04) Cylinder sealing gasket | 26) Bearing | 48) Bolt | 70) Pressure Switch |
| 05) O-Ring | 27) Motor Rator | 49) Horizontal Two Tank | 71) Capacity |
| 06) Gas-Guide Tube | 28) Nut | 50) Foot Wheel | 72) Screw |
| 07) Limit Range Implement | 29) Motor Staotr | 51) Wheel Shaft | 73) Capacity Cover |
| 08) Valve Block | 30) Cushion | 52) Plug (rubber) | 74) Power Cord Buckle |
| 09) Valve Board | 31) Bolt | 53) Foot Pad | 75) Protector |
| 10) Valve plate clamp | 32) Nut | 54) Washer | 76) Elbow |
| 11) Screw | 33) Power Cord Buckle | 55) Bolt | 77) Lining |
| 12) O-Ring | 34) Right Crankcase | 56) Drain Valve | 78) Nylon Pipe |
| 13) Cylinder | 35) Screw | 57) Bolt | 79) Cutting Sleeve |
| 14) Screw | 36) Bearing | 58) Instrument Panel | 80) Nut |
| 15) Valve Board | 37) Crank | 59) Pressure Gauge | 81) Nylon Pipe |
| 16) Piston Cup | 38) A Fan | 60) Quick Connect | 82) Exhaust Pipe |
| 17) Connecting Rod | 39) Air Filter | 61) Regulator Valve Stand | 83) Check Valve |
| 18) Heightening the lining | 40) Nylon Pipe | 62) Pressure Gauge | |
| 19) Wind Scooper | 41) Power Cord | 63) Screw | |
| 20) Circlip for Shaft | 42) Handle Pull Rod | 64) Nut | |
| 21) B Fan | 43) Nut | 65) Straight connection | |
| 22) Shock Pad | 44) Screw | 66) Flexible Joint | |

2- TECHNICAL DATA

AC4504			AC24016			AC12810		
Power voltage / Frequency	V / Hz	230 / 50	Power voltage / Frequency	V / Hz	230 / 50	Power voltage / Frequency	V / Hz	230 / 50
Rated power	kW	0,24	Rated power	kW	1,5	Rated power	kW	0,75
Max. operation pressure	bar	8	Max. operation pressure	bar	9	Max. operation pressure	bar	9
Assured noise pressure level (Dir. 2000/14/CE)	dB	58	Assured noise pressure level (Dir. 2000/14/CE)	dB	72	Assured noise pressure level (Dir. 2000/14/CE)	dB	65
Motor shaft rotation speed	rpm	1420	Motor shaft rotation speed	rpm	1400	Motor shaft rotation speed	rpm	1420
Tank volume	litres	4	Tank volume	litres	16	Tank volume	litres	10
Yield (sucked / delivered)	l/min	45 / 28	Yield (sucked / delivered)	l/min	240 / 170	Yield (sucked / delivered)	l/min	128/80
Ambient air temperature / humidity	°C / %	5 - 40 / 5 - 95	Ambient air temperature / humidity	°C / %	5 - 40 / 5 - 95	Ambient air temperature / humidity	°C / %	5 - 40 / 5 - 95
Overall weight	kg	10,5	Overall weight	kg	42,5	Overall weight	kg	25,8
Dimensions (bxlxh)	mm	355x335x300	Dimensions (bxlxh)	mm	720x510x500	Dimensions (bxlxh)	mm	540x465x495

3- CE MARKING AND PLATE OF ASSURED SOUND PRESSURE LEVEL

CE Marking (FIG. 2 - Ref. 1) certifies the compliance of the machine with the essential safety and health requirements foreseen by the Machinery Directive 2006/42/CE. This plate (FIG. 2 - Ref. 2) certifies the compliance of the machine with the essential safety and health requirements foreseen by the Directive 2000/14/CE. They are represented by an adhesive plate in polyester with black stamp by thermal transfer and they are stuck on the engine panel.

4- THE IMPORTANCE OF THE HANDBOOK



BEFORE USING THIS MACHINE, THE AUTHORIZED OPERATORS (SEE PAR. 2.2.1) MUST READ AND UNDERSTAND THIS MANUAL IN ALL ITS PARTS.

This manual of "Use and Maintenance Instructions" was drawn up according to the provisions foreseen by the "Machinery Directive" 2006/42/EC in order to assure an easy and correct comprehension of the contents handled by the authorized operators charged with the use and with the maintenance of this machine. Should the above mentioned operators detect any incomprehension while reading, please apply immediately to the manufacturer for correct explanations and further information in order to avoid wrong personal interpreting that could endanger safety. This manual must at any time be available for the authorized operators. Therefore, it must always be placed, well guarded and preserved, near to the machine



THIS MANUAL IS INTEGRAL PART OF THE MACHINE AND MUST BE PRESERVED FOR FUTURE REFERENCE UNTIL DISPOSAL OF THE SAME. THIS MANUAL MUST ALWAYS BE AVAILABLE FOR THE CHARGED OPERATORS AND HAS TO BE PLACED WELL STORED AND PRESERVED NEAR TO THE MACHINE.

THE MANUFACTURER CANNOT BE MADE LIABLE FOR DAMAGES TO PERSONS, ANIMALS AND THINGS, DUE TO THE INOBSERVANCE OF THE STANDARDS AND OF THE INSTRUCTIONS DESCRIBED IN THIS MANUAL.

THIS MANUAL HAS COMPULSORILY TO BE DELIVERED TOGETHER WITH THE MACHINE, IN CASE THIS LATTER IS TRANSFERRED TO ANOTHER USER.



THIS MANUAL MEETS THE STATE OF ART WHEN THE MACHINE IS TRADED AND CANNOT BE CONSIDERED IMPROPER JUST BECAUSE FOLLOWING TO NEW EXPERIENCES IT CAN THEN BE UPDATED.

IN CASE OF LOSS OR WEAR OF THE MANUAL, REQUEST A NEW COPY FROM THE MANUFACTURER OR AUTHORIZED DEALER SPECIFYING THE MODEL OF THE MACHINE AND THE REVISION QUOTED ON THE COVER.

5- ADDRESSEES

This technical manual is destined exclusively to authorized operators charged with the use and maintenance of the machine according to the specific technical and professional competences required for the type of intervention involved.

The symbols here below are placed at the beginning of a paragraph and indicate the operator involved in the handled topic.



THE AUTHORIZED OPERATORS MUST PERFORM ON THE MACHINE ONLY THE INTERVENTIONS OF THEIR SPECIFIC COMPETENCE.

BEFORE PERFORMING ANY INTERVENTION ON THE MACHINE, THE AUTHORIZED OPERATORS MUST MAKE SURE THEY ARE IN FULL POSSESSION OF THEIR PSYCHICAL AND PHYSICAL FACULTIES IN ORDER TO ASSURE AT ANY TIME THE RESPECT OF THE SAFETY CONDITIONS.



CHARGED OPERATOR: this is an operator being at least 18 years old (private user or worker), who, in compliance with the provisions of the laws in force in the country of use on safety and health in work places, can perform exclusively the switching-on, use and switching-off of the machine in full observance of the instructions contained in this manual, being equipped with the personal protection equipment.



MECHANICAL / PNEUMATIC MAINTENANCE ENGINEER: this is a trained technical engineer qualified to perform exclusively interventions on mechanical / pneumatic parts in order to carry out adjustment, maintenance and/or repair procedures even with disabled protections in full observance of the instructions contained in this manual or in any another specific document exclusively supplied by the manufacturer, being equipped with the personal protection equipment.



ELECTRICAL MAINTENANCE ENGINEER: this is a trained technical engineer qualified to perform intervention exclusively on electrical devices in order to carry out adjustment, maintenance and or repair procedures also with live voltage and with disabled protections in full observance of the instructions contained in this manual or in another specific document exclusively supplied by the manufacturer, being equipped with personal protection equipment.



COMPANY SAFETY MANAGER: this is a qualified technical engineer, appointed by the employer (in case the machine is used in a company), meeting the technical and professional requirements foreseen by the regulations in force concerning the safety and health of workers in the place of work.



MANUFACTURER'S TECHNICAL ENGINEER: this is a qualified technical engineer supplied by the Manufacturer and/or authorized Dealer to perform the required technical assistance, as well as interventions of routine and supplementary maintenance and/or procedures not described in this manual. requiring a specific knowledge of the machine, being equipped with the personal protection equipment.

6- STATE OF “SWITCHED OFF MACHINE”



Before performing any type of maintenance and/or adjustment intervention on the machine, it is necessary to drain compulsorily the tank (no pressure), to disconnect power supply source, as well as to verify that the machine is actually stopped and cannot be switched on suddenly (ON-OFF switch on pos. “OFF (0)” and power supply cable disconnected from the mains outlet and positioned close to the machine).

7- WARRANTY

- 1) **DECLARATION OF WARRANTY:** the manufacturer undertakes towards the purchaser to replace, repair or otherwise intervene on the machine, in case of conformity defects jeopardizing its correct use and operation, exclusively if such defects are due to the actual responsibility of the manufacturer. The manufacturer reserves the right of adopting the best solution to restore the compliance of the machine within a reasonable period of time.
- 2) **PURCHASER:** the purchaser is called “consumer” when the purchase is carried out by an individual acting for purposes not belonging to his/her business or professional activity. The purchaser is called “professional man/woman or company” when the purchase is carried out by a professional man/woman or by a company acting for purposes belonging to his/her/its business or professional activity.
- 3) **TERMS:** the manufacturer is liable when the conformity defect arises within the following terms from the purchasing date; 24 months, if the purchase has been carried out by a “consumer”, as described under point 2); 12 months, if the purchase has been carried out by a “professional man/woman or company”, as described under point 2);
- 4) **VALIDITY:** the warranty is valid when the purchaser notifies to the manufacturer the conformity defect within 2 months from the date in which such defect was first remarked. Such notice must compulsorily be submitted together with a valid purchasing document (cash slip or invoice).
- 5) **EXPIRATION:** the warranty expires if the purchaser uses the machine improperly and/or in a way not complying with the instructions for use and maintenance supplied by the manufacturer, or if the conformity defect has been caused by purchaser’s lack of skill or by chance.
- 6) **RESPONSIBILITY:** the manufacturer cannot be made liable for any liability following any possible damages to the purchasers resulting from loss of or diminished production due to possible conformity defects.
- 7) **EXPENSES:** Expenses related to labour and materials necessary to restore the conformity of the machine are at manufacturer’s charge. Expenses and delivery terms are to be agreed upon with the authorized dealer.

8- RESERVED RIGHTS

The reserved rights on this manual “use and maintenance instructions” remain property of the manufacturer. None part of this manual can be reproduced and disclosed (totally or partially) by any reproduction means without written authorization of the Manufacturer. All quoted trademarks belong to the respective owners.

9- DESTINATION OF USE

FIELD OF USE	Industrial, craft and civil sector.
PLACE OF USE	Indoor or outdoor places (provided that it is not subject to atmospheric agents) sufficiently lighted, ventilated, with ambient air temperature and humidity values complying with par. 2, suitable in compliance with the law provisions in force in the country of use on safety and health in the places of work. The machine has to lean on a surface assuring its stability with reference to its weight and its overall dimensions (see par. 2). CAUTION! IT IS COMPULSORY TO KEEP THE MACHINE OUT OF THE REACH OF CHILDREN.
FORESEEN USE	Air compression (without oil) for the use of suitable pneumatic tools complying with the regulations in force. (ex.: guns for blowing, inflation, washing, painting or sandblasting; screwers; spot welders, riveters or greasers).
OPERATORS CHARGED WITH THE USE	An authorized operator meeting the professional requirements described in par. 5.

10- USE LIMITS

This machine was designed and produced exclusively for the intended use described in par. 9, any other use and operation is therefore absolutely forbidden in order to assure in every moment the safety of the charged operators, as well as the efficiency of the machine itself.



IT IS STRICTLY FORBIDDEN TO COMMISSION THE MACHINE IN ENVIRONMENTS WITH POTENTIALLY EXPLOSIVE ATMOSPHERE AND/OR IN PRESENCE OF COMBUSTIBLE DUSTS (EX.: WOOD DUSTS, FLOURS, SUGARS AND MIDDINGS).

LIMITATIONS IN USE: IT IS STRICTLY FORBIDDEN TO USE THE MACHINE FOR IMPROPER USES, DIFFERING FROM THE FORESEEN ONE (PAR. 9).

IT IS COMPULSORY TO KEEP THE MACHINE OUT OF THE REACH OF CHILDREN.

DURING THE USE, IT IS COMPULSORY TO VERIFY THAT NON-AUTHORIZED PEOPLE DO NOT GET CLOSE TO THE MACHINE.

IT IS STRICTLY FORBIDDEN TO USE AIR TUBES (EXTENSIONS), FITTINGS, AND TOOLS NOT SUITABLE AND/OR NOT COMPLYING WITH THE REGULATIONS IN FORCE.



IT IS STRICTLY FORBIDDEN TO LIFT THE MACHINE WITH CRANES AND/OR FORK LIFT TRUCKS.

IT IS STRICTLY FORBIDDEN TO DIRECT COMPRESSED AIR JETS AGAINST PERSONS, ANIMALS AND THINGS.

IT IS STRICTLY FORBIDDEN TO USE THE MACHINE TO TRANSPORT AND/OR LIFT PERSONS, ANIMALS AND THINGS.

IT IS STRICTLY FORBIDDEN TO GET ON THE MACHINE.

IT IS STRICTLY FORBIDDEN TO TOW THE MACHINE BY ANY MEANS AND/OR VEHICLE WHATSOEVER.

IT IS STRICTLY FORBIDDEN TO MOVE THE MACHINE MANUALLY ON UPWARDS AND/OR DOWNWARDS SLOPES WITH HAZARDOUS GRADE.

HAZARD OF BURNING BY ACCIDENTAL CONTACT WITH THE BI-CYLINDRICAL PUMPING ASSEMBLY AND THE ELECTRIC MOTOR. CAUTION! THERE IS A RESIDUAL RISK (SEE PAR.21).

11- MACHINE TRANSPORT AND HANDLING



The machine can be transported manually by two charged operators by seizing it by the bearing foot (FIG. 3 - Ref. 1) and the handle (FIG. 3 - Ref. 2) or handled manually by a charged operator using the handle (FIG. 3 - Ref. 3) and the wheels (FIG. 3 - Ref. 4) with which it is equipped.



THE TRANSPORT OF THE MACHINE MUST COMPULSORILY BE CARRIED OUT BY TWO CHARGED OPERATORS IN COMPLIANCE WITH THE REGULATIONS ON THE "MANUAL HANDLING OF LOADS", IN ORDER TO AVOID UNFAVOURABLE ERGONOMIC CONDITIONS THAT MAY INVOLVE RISKS OF SPINE/LUMBAR LESIONS.

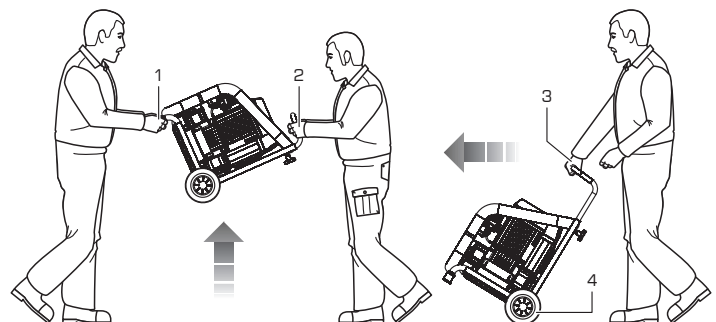


Fig. 3

12- PACKAGING

The machine is packed by the Manufacturer in a cardboard box equipped with two handles and containing No.1 Dry compressor and No.1 Use and maintenance instructions.

13- UNPACKAGING

Once the package has been positioned on the floor, on an even surface assuring its stability, unpack the machine removing it from the package observing the instructions contained in par. 12.



IT IS RECOMMENDED TO DISPOSE THE PACKAGE ACCORDING TO THE DIFFERENT TYPES OF MATERIALS IN FULL OBSERVANCE OF THE LAWS IN FORCE IN THE COUNTRY OF USE.

14- POSITIONING



The machine must be used in a work place having the features described in par. 2, positioned on an even floor assuring its stability in relation to its overall dimensions and weight (par. 2).



IN ORDER TO ALLOW THE AUTHORIZED OPERATORS TO WORK IN SAFETY PLACES, IT IS SUGGESTED TO ASSURE A MINIMUM DISTANCE (1 m) FROM OTHERS OBJECTS AND/OR OBSTRUCTIONS.

15- STORAGE



If the machine is not used for long time, it is necessary to store it in a safe place, provided with proper temperature and humidity, as well as to protect it against dust. Before storing the machine, it is recommended to drain the condensate from the air tank.

16- ELECTRICAL CONNECTIONS



The machine can be connected to the mains by inserting the power supply plug in the proper outlet.

THE MAINS TO WHICH THE MACHINE IS CONNECTED MUST COMPLY WITH THE REQUIREMENTS FORESEEN BY THE REGULATION IN FORCE IN THE COUNTRY OF USE, AS WELL AS MEET THE TECHNICAL FEATURES QUOTED IN PAR.2 AND BE EQUIPPED WITH A PROPER "EARTHING" PLANT.



ANY TYPE OF ELECTRIC MATERIAL USED FOR THE CONNECTION MUST SUIT THE USE, BE MARKED "CE" IF SUBJECT TO THE LOW VOLTAGE DIRECTIVE 2006/95/EC, AND COMPLY WITH THE REQUIREMENTS SET FORTH BY THE REGULATIONS IN FORCE IN THE COUNTRY OF USE OF THE MACHINE.



THE INOBSERVANCE OF THE ABOVE DESCRIBED WARNINGS CAN CAUSE IRREPARABLE DAMAGES TO THE ELECTRIC EQUIPMENT OF THE MACHINE AND THE FOLLOWING EXPIRATION OF THE WARRANTY.

THE MANUFACTURERS DECLINES ALL LIABILITY FOR FAULTS OR MALFUNCTIONS OF THE MACHINE DUE TO VOLTAGE SUDDEN CHANGES EXCEEDING THE TOLERANCES FORESEEN BY THE DISTRIBUTING ENTITY (VOLTAGE $\pm 10\%$ - FREQUENCY $\pm 2\%$).

SHOULD IT BE NECESSARY, IT IS COMPULSORY TO CONNECT THE MACHINE EXCLUSIVELY TO GENERATING SETS WITH A POWER GREATER THAN THE INSTALLED ELECTRIC POWER (SEE PAR. 2) TO SUPPORT THE ABSORPTION PEAK AT START.

17- CONNECTION OF THE AIR TUBE (EXTENSION) AND OF THE TOOLS



- 1) Connect the tool to the air tube (extension);
- 2) Connect the air tube (extension) to the fast air outlet tap of the machine (FIG. 1 - Ref. 14).

IT IS STRICTLY FORBIDDEN TO USE AIR TUBES (EXTENSIONS), FITTINGS, AND TOOLS NOT SUITABLE AND/OR NOT COMPLYING WITH THE REGULATIONS IN FORCE.



IT IS COMPULSORY TO USE AIR TUBES (EXTENSIONS), FITTINGS, AND TOOLS, COMPLYING WITH THE PROVISIONS CONTAINED IN THE USE AND MAINTENANCE INSTRUCTIONS SUPPLIED BY THE RELATED MANUFACTURERS.

THE MANUFACTURER DECLINES ALL LIABILITY FOR DAMAGES TO PERSONS, ANIMALS AND THINGS DUE TO THE INOBSERVANCE OF THE ABOVE DESCRIBED WARNINGS.

18- APPLIED SAFETY DEVICES

- 1) SAFETY VALVE (FIG. 1 - Ref. 4): this is a certified safety valve (calibrated on 10,5 bar), installed on the pneumatic plant under the pressure switch. It is used to discharge the overpressure of the plant, when the pressure switch does not work due to possible malfunctions. The tripping of the safety valve obliges the operator to switch off the machine and require the intervention of the maintenance technical engineers.
- 2) PRESSURE SWITCH (FIG. 1 - Ref. 8): this is an electro-pneumatic device (calibrated on min. 7 bar and max. 10 bar) installed on the pneumatic plant. It is used to command the automatic start of the machine, when the operation pressure falls under 7 bar, as well as the automatic stop when the operation pressure reaches 10 bars.
- 3) FIXED PROTECTION GRATING OF THE COOLING FAN (FIG. 1 - Ref. 17): This is affixed protection made up of a grating in plastic material fastened by screws to the base of the bi-cylindrical pumping assembly. It is used to avoid accidental contact with the moving cooling fan.
- 4) RESTORABLE THERMAL SWITCH (FIG. 1 - Ref. 12): this is a thermal protection installed on the electric plant, stopping the electric motor in case of current overload and/or short-circuit. The restoration can be performed by the related push-button (see FIG. 7 - Ref. 1).
- 5) TANK PRESSURE GAUGE (FIG. 1 - Ref. 6): this is a measuring device installed on the machine tank. It displays the compressed air pressure present within the tank.
- 6) PRESSURE GAUGE AT OUTPUT (FIG. 1 - Ref. 7): this is a measuring device installed on the machine pneumatic plant upstream of the fast air outlet tap. It displays the output pressure, which is adjustable through the proper pressure regulator (0 ÷ 10 bar) (FIG. 1 - Ref. 13).

IT IS STRICTLY FORBIDDEN TO TAMPER, DISCONNECT AND/OR REMOVE ANY SAFETY DEVICE EXISTING IN THE MACHINE.



IT IS STRICTLY FORBIDDEN TO REPLACE ANY SAFETY DEVICE OR ANY OF THEIR COMPONENTS WITH NOT ORIGINAL SPARE PARTS.

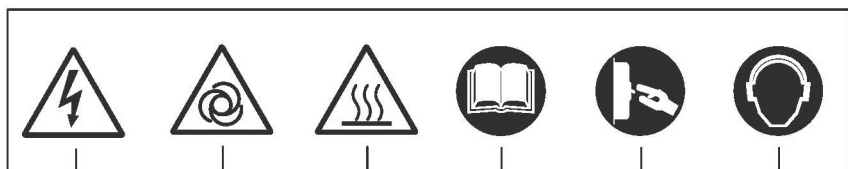
IT IS COMPULSORY TO CHECK CONSTANTLY THE CORRECT OPERATION OF ALL SAFETY DEVICES INSTALLED ON THE MACHINE.

IT IS COMPULSORY TO IMMEDIATELY REPLACE ANY SAFETY DEVICE MALFUNCTIONING AND/OR BEING DAMAGED.

19- SAFETY MARKING

The safety marking used, is represented by an adhesive label, applied on the outside of the machine (FIG. 4).

Meaning of the signals:



Hazard:
power supply

Hazard:
automatic start

Hazard:
High temperature

Read the
instructions
compulsorily

It's compulsory
to disconnect
power supply

It is compulsory
to protect
the hearing



IT IS COMPULSORY TO KEEP THE SAFETY SIGNALS WELL CLEAN TO ENSURE THEIR GOOD VISIBILITY.

IT IS ABSOLUTELY FORBIDDEN TO REMOVE AND/OR DAMAGE THE SAFETY SIGNALS APPLIED TO THE MACHINE.

IT IS COMPULSORY TO REPLACE THE SAFETY SIGNALS WORN OUT REQUESTING IT TO THE MANUFACTURER AND/OR AUTHORIZED DEALER.

20- PERSONAL PROTECTION EQUIPMENT (PPE)



THE AUTHORIZED OPERATORS ARE NOT ALLOWED TO WEAR CLOTHS AND ACCESSORIES THAT MAY BE ENTANGLED IN THE MACHINE.

IT IS COMPULSORY TO USE THE PPE FORESEEN BY THE MANUFACTURER.

THE AUTHORIZED OPERATORS MUST COMPULSORILY USE THE PPE FORESEEN BY THE MANUFACTURERS OF THE TOOLS USED AND ACCORDING TO THE PROCESSING TYPE.

SIGNAL	COMPULSORY PPE	TYPE OF USE
	<ul style="list-style-type: none"> • Hands Protection (Heat protecting gloves) 	In case maintenance interventions are required without waiting that the electric motor and the bi-cylindrical pumping element cool down.
	<ul style="list-style-type: none"> • Hearing Protection (Ear muffs) 	During all processing phases.
	<ul style="list-style-type: none"> • Feet protection (Footwear with reinforced cap) 	During machine transport.

21- RESIDUAL RISKS

The authorized operators shall be aware that even though the manufacturer has adopted all possible technical manufacturing precautions to make the machine safe, there is still a potential residual risk.

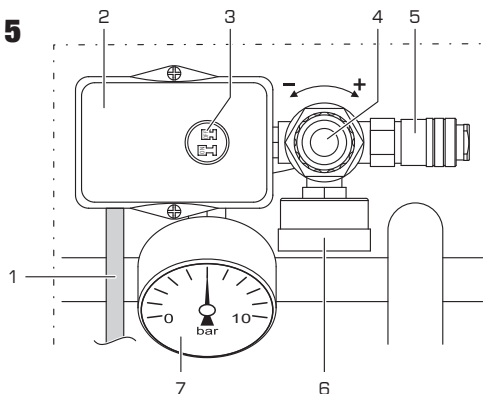
RESIDUAL RISK	Hazard of burning by accidental contact with the bi-cylindrical pumping assembly and the electric motor.
EXPOSURE FREQUENCY	Low and accidental. There can be exposure if the operator decides to perform voluntarily a wrong action, forbidden and not reasonably foreseeable.
DAMAGE RELEVANCE	Light lesions (usually reversible).
TAKEN MEASURES	Safety signs (see par. 19). / Obligation of use of the personal protection equipment (PPE) (see par. 20) and/or wait until the machine has cooled.

22- COMMAND DEVICES

They are shown in FIG. 5.

- 1) Power supply cable
- 2) Pressure switch
- 3) "ON-OFF" switch
- 4) Pressure regulator at output
- 5) Fast air outlet tapa
- 6) Pressure gauge at output
- 7) Tank pressure gauge

Fig. 5



23- CHECKS BEFORE SWITCHING ON



BEFORE SWITCHING-ON OF THE MACHINE, THE AUTHORIZED OPERATORS MUST COMPULSORY PERFORM THE FOLLOWING CHECKS.

- 1) Make sure that there are not any non authorized person close to the machine.
- 2) Make sure that the safety device are integral and properly installed and working (see par. 18).
- 3) Make sure that the machine is properly positioned (see par. 14).
- 4) Make sure that the "ON-OFF" switch or selector is positioned on "OFF (0)" (see par. 22).
- 5) Make sure that the condensate drain valve is closed (FIG. 1 - Ref. 5).
- 6) Use the compulsory personal protection devices (PPE) (see par. 20).
- 7) Make sure that you have read and understood the "Use and Maintenance Instructions" in all its parts.

24- MACHINE SWITCHING-ON

THE AUTHORIZED OPERATORS CAN SWITCH ON THE MACHINE ONLY AFTER HAVING COMPULSORILY PERFORMED THE CHECKS DESCRIBED IN PAR. 23.

BEFORE USING THIS MACHINE, THE AUTHORIZED OPERATORS MUST READ AND UNDERSTAND THIS MANUAL IN ALL ITS PART.

DURING THE USE, IT IS COMPULSORY TO VERIFY THAT NON-AUTHORIZED PEOPLE DO NOT GET CLOSE TO THE MACHINE.



THE AUTHORIZED OPERATORS ARE NOT ALLOWED TO LET THE MACHINE UNATTENDED DURING OPERATION AND MAINTENANCE INTERVENTIONS.

HAZARD OF BURNING BY ACCIDENTAL CONTACT WITH THE BI-CYLINDRICAL PUMPING ASSEMBLY AND THE ELECTRIC MOTOR. CAUTION! THERE IS A RESIDUAL RISK (SEE PAR. 21).

THE MANUFACTURER DECLINES ALL LIABILITY FOR DAMAGES TO PERSONS, ANIMALS AND THINGS, DUE TO THE INOBSERVANCE OF THE STANDARDS AND WARNINGS DESCRIBED IN THIS MANUAL.

THE MANUFACTURER DECLINES ALL LIABILITIES ON THE FINAL RESULT OF THE PROCESSING GIVEN THAT IT DEPENDS EXCLUSIVELY ON THE TYPE OF TOOL USED AND ON THE PROFESSIONAL SKILLS OF THE AUTHORIZED OPERATORS.



- 1) Connect the machine to the mains by inserting the power supply plug (FIG. 5 - Ref. 1) in the proper outlet;
- 2) Switch on the machine by pulling the "ON-OFF" switch (FIG. 5 - Ref. 3) in pos. "ON (I)" (the machine works until the max. operation pressure of 10 bar is reached, then it stops automatically);
- 3) Adjust pressure at output using the proper regulator (FIG. 5 - Ref. 4), according to the used tool and to the type of processing. Check pressure in the proper pressure gauge (FIG. 5 - Ref. 6);



IT IS FORBIDDEN TO SCREW THE PRESSURE REGULATOR AT OUTPUT (FIG. 8 - REF. 3) BEYOND THE END OF STROKE, IN ORDER TO AVOID DAMAGING THE MEMBRANE.

- 4) Connect the tool to the air tube (extension);
- 5) Connect the air tube (extension) to the fast air outlet tap of the machine (FIG. 5 - Ref. 5);



IT IS STRICTLY FORBIDDEN TO USE AIR TUBES (EXTENSIONS), FITTINGS, AND TOOLS NOT SUITABLE AND/OR NOT COMPLYING WITH THE REGULATIONS IN FORCE.

IT IS COMPULSORY TO USE AIR TUBES (EXTENSIONS), FITTINGS, AND TOOLS, COMPLYING WITH THE PROVISIONS CONTAINED IN THE USE AND MAINTENANCE INSTRUCTIONS SUPPLIED BY THE RELATED MANUFACTURERS.

- 6) Perform the processing (the machine restarts automatically when the operation pressure falls under 7 bar);
- 7) Once the processing has ended, switch off the machine as described in par. 25.

25- MACHINE SWITCHING OFF



At the end of the work cycle, switch off the machine as follows:

- 1) Switch off the machine by pressing the "ON-OFF" switch (FIG. 5 - Ref. 3) on pos. "OFF (0)";
- 2) Disconnect the machine from the mains by removing the power supply plug (FIG. 5 - Ref. 1) from the proper outlet;
- 3) Disconnect the tool from the air tube (extension);
- 4) Disconnect the air tube (extension) from the fast air outlet tap (FIG. 5 - Ref. 5) of the machine;
- 5) Drain the condensate from the tank only in case of work cycle end (FIG. 1 - Ref. 5).

26- RESTORABLE THERMAL PROTECTION TRIPPING RESET



Should a current overload and/or a short-circuit occur in the electric plant of the machine, the restorable thermal switch trips stopping the electric motor. To reset the restorable thermal switch, proceed as follows:

- 1) Press the "ON-OFF" switch (FIG. 5 - Ref. 3) on pos. "OFF (0)";
- 2) Press the restorable thermal push-button (FIG. 7 - Ref. 1);
- 3) Before restarting the machine wait some minutes.

SHOULD THE MACHINE AFTER HAVING PERFORMED THE RESET NOT SWITCH ON, THE CHARGED OPERATOR MUST COMPULSORY SEEK THE INTERVENTION OF THE MAINTENANCE TECHNICAL ENGINEERS AND/OR OF THE AUTHORIZED DEALER.

27- EMERGENCY STOP



The switching-off of the machine can be performed by pressing the "ON-OFF" switch (FIG. 5 - Ref. 3) on pos. "OFF (0)". In order to avoid situations of imminent or close hazard, the authorized operators must compulsorily perform the following operations:

- 1) PRESS THE "ON-OFF" SWITCH (FIG. 5 - REF. 3) ON POS. "OFF (0)" IN THE RIGHT TIME.
- 2) IMMEDIATELY INFORM THE "SAFETY MANAGER" OF THE EMERGENCY (IF THE MACHINE IS USED IN A COMPANY).

28- SWITCHING ON AFTER AN EMERGENCY STOP



Only and exclusively after having removed the emergency causes and having carefully assessed that the same have not caused damages and/or anomalies to the machine, with the consent of the "Safety Manager" (in case the machine is used in a company), switch on the machine as described in par. 24.

29- ROUTINE MAINTENANCE



It includes all activities performed in order to maintain the proper use and operation conditions of the machine through different types of intervention (adjustments, visual checks, cleaning of air filters, etc.) carried out by the authorized maintenance technical engineer at the established frequency.

THE AUTHORIZED OPERATORS MUST PERFORM EXCLUSIVELY THE OPERATIONS OF THEIR SPECIFIC COMPETENCE (SEE PAR. 5) AND WITH THE CONSENT OF THE COMPANY SAFETY MANAGER (IF THE MACHINE IS USED IN A COMPANY).

THE AUTHORIZED OPERATORS ARE NOT ALLOWED TO LEAVE THE MACHINE UNATTENDED DURING ITS OPERATION AND DURING MAINTENANCE OPERATIONS.

ROUTINE MAINTENANCE TABLE

FREQUENCY	POINT OF INTERVENTION	TYPE OF INTERVENTION
EVERY DAY 	Safety devices	Make sure that they are integral, properly installed and working.
	Power supply cable and plug	Visual check of the wear state.
	Tank	At every work cycle end lean the machine on the ground and drain the condensate from the tank, opening the condensate valve (FIG. 1 - Ref. 5).
EVERY WEEK 	Wheels	Tire pressure control. If necessary, inflate with compressed air up to max. 2.5 bar
	No.2 Air filters, front and rear side	Unscrew the screws (FIG. 6 - Ref. 1); Remove the cover (FIG. 6 - Ref. 2); Extract the filter (FIG. 6 - Ref. 3) and clean it with air; Re-assemble the cover properly. N.B.: REPLACE IN CASE OF CLEAR WEAR.

30- SUPPLEMENTARY MAINTENANCE



It includes all activities performed in order to maintain the proper use and operation conditions of the machine through different types of interventions (adjustments, replacements, etc.) carried out exclusively by the technicians of the manufacturer at the established frequency or in case of failure or wear.

FOR ANY SUPPLEMENTARY MAINTENANCE INTERVENTION, COMPULSORY REQUEST THE TECHNICAL ASSISTANCE TO THE MANUFACTURER OF THE AUTHORIZED DEALER.

31- DEMOLITION



When the machine is demolished, compulsorily observe the provisions of the regulations in force. Separate the parts making up the machine according to the different construction materials (plastic, copper, iron, etc.).

32- SPARE PARTS

ORIGINAL SPARE PARTS FOR POSSIBLE REPLACEMENTS ARE TO BE REQUESTED EXCLUSIVELY TO THE MANUFACTURER OR TO THE AUTHORIZED DEALER.
IT IS STRICTLY FORBIDDEN TO REPLACE ANY COMPONENTS OF THE MACHINE WITH NOT ORIGINAL SPARE PARTS.


33- TROUBLE - CAUSES - TROUBLESHOOTING



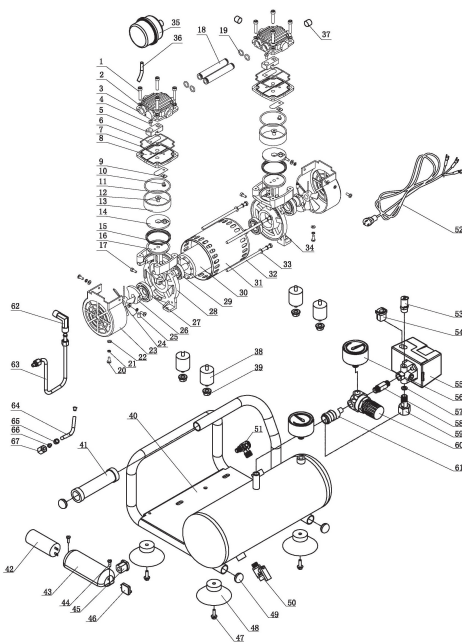
The following table gives a series of situations that can occur during the use of the machine.



THE AUTHORIZED OPERATORS MUST PERFORM EXCLUSIVELY THE OPERATIONS OF THEIR SPECIFIC COMPETENCE (SEE PAR. 2.2.1) AND WITH THE CONSENT OF THE COMPANY SAFETY MANAGER (IF THE MACHINE IS USED IN A COMPANY).

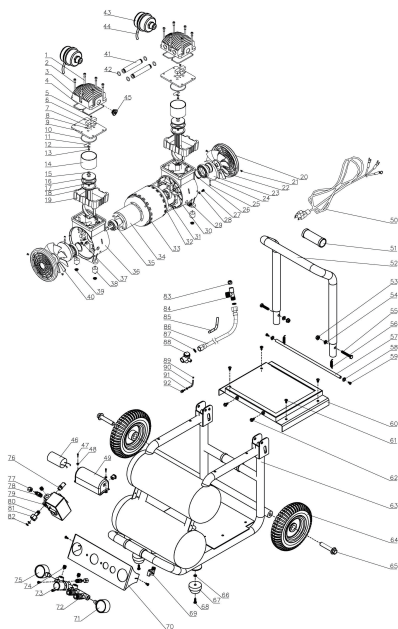
TROUBLE	CAUSES	TROUBLESHOOTING
The machine does not switch on or stops and does not restart.	Lack of power supply.	1) Make sure that the "ON-OFF" switch is on pos. "ON (I)"; 2) Check that the power supply cable plug is working and properly inserted in the suitable outlet; 3) Check that possible extensions used and the power supply outlet are working; 4) Check that the main switch of the mains is working and positioned on "ON (I)".
	Tripping of the restorable thermal switch due to current overload and/or short-circuit.	Follow the procedure described in par. 26.
The machine starts many times without using the tool.	Leaks from the air tube, the tool or the pneumatic plant.	1) Check that the pneumatic plant has not been damaged; 2) Check the integrity and the connection of the air tube and of the tool.
Air does not come out from the tool.	The tank is not under pressure.	Switch on the machine and wait until the tank is loaded verifying the pressure on the proper pressure gauge.
	Wrong adjustment of the output pressure.	Check that the value indicated on the pressure gauge at output is greater than 0 (zero) bar.
	The tool is damaged.	Check the integrity and efficiency of the tool.
Pressure decrease in the air tank.	Leaks from the air tube, the tool or the pneumatic plant.	1) Check the integrity of the pneumatic plant. 2) Check the integrity of the air tube and of the tool. 3) Verify that the machine-air tube and air tube-tool connections are right. 4) Make sure that the condensate drain valve is well closed.
Tripping of the safety valve.	Pressure switch faulty.	 Apply to an authorized dealer.
Air leak from the valve of the pressure switch with stopped machine.	Check valve dirty or worn.	
The machine vibrates and/or emits a lot of noise.	Mechanical break.	
Frequent starts and low yield.	Air filters dirty.	Clean the filters (see par. 29).

1- NOM DES COMPOSANTS



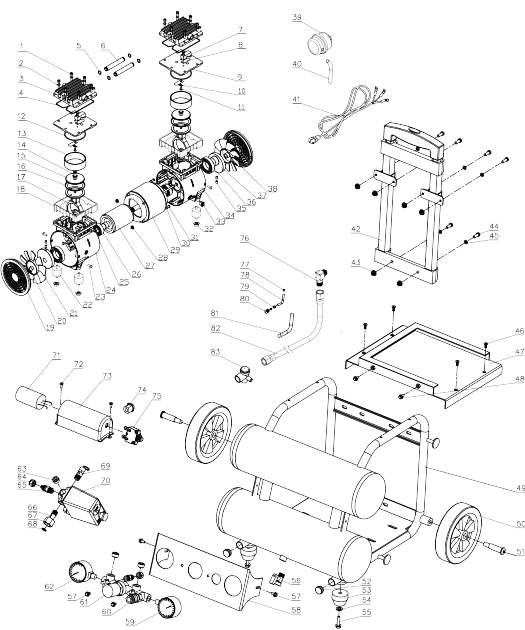
AC4504

- | | | | |
|---------------------------|---------------------|-----------------------|-----------------------|
| 01) Screw | 18) Gas-guide Tube | 35) Air Filter | 52) Power Cord |
| 02) Cushion | 19) O-ring | 36) Hush Pipe | 53) Safty Valve |
| 03) Cylinder Head | 20) Screw | 37) Choke plug | 54) Power Cord Buckle |
| 04) Screw | 21) Cushion | 38) Shock Pad | 55) Pressure Switch |
| 05) Limit Range Implement | 22) Flat washer | 39) Nut | 56) Pressure Gauge |
| 06) Valve Block | 23) Wind Scooper | 40) Horizontal Tank | 57) Gasket |
| 07) Seal | 24) Fan | 41) Handle Sleeve | 58) Double Joint |
| 08) Valve Board | 25) Screw | 42) Capacity | 59) Flexible Joint |
| 09) Valve plate clamp | 26) Crank | 43) Capacity Cover | 60) Regulator Valve |
| 10) Screw | 27) Bearing | 44) Screw | 61) Quick Connect |
| 11) O-Ring | 28) Left Crankcase | 45) Power Cord Buckle | 62) Elbow |
| 12) Screw | 29) Bearing | 46) Protector | 63) Exhaust Pipe(Al) |
| 13) Cylinder | 30) Motor Rator | 47) Scw | 64) Unloading Pipe |
| 14) Valve Board | 31) Motor Staoitr | 48) Foot Pad | 65) Cutting Sleeve |
| 15) Piston Cup | 32) Bolt | 49) Apertural Plug | 66) Lining |
| 16) Connecting Rod | 33) Flat washer | 50) Ball Valve | 67) Nut |
| 17) Screw | 34) Right Crankcase | 51) Check Valve | |



AC24016

- | | | | |
|----------------------------|--|----------------------|------------------------|
| 01) Screw | 24) Bearing | 47) Screw | 70) Instrument panel |
| 02) Cushion | 25) Screw | 48) Flat washer | 71) Pressure Gauge |
| 03) Cylinder Head | 26) circlip for shaft | 49) Capacity Cover | 72) Quick Connect |
| 04) Seal | 27) Screw | 50) Power Cord | 73) Regulator Valve |
| 05) Screw | 28) Serrated Lock Washers Internal Teeth | 51) Handle Sleeve | 74) Screw |
| 06) Limit Range Implement | 29) Power Cord Buckle | 52) Handle | 75) Pressure Gauge |
| 07) Valve Block | 30) Right Crankcase | 53) Nut | 76) Safty Valve |
| 08) Valve Block | 31) Cushion | 54) Flat washer | 77) Nut |
| 09) Valve Board | 32) Bolt | 55) Bolt | 78) straight joint |
| 10) O-Ring | 33) Motor Staoitr | 56) Extension Spring | 79) Pressure Switch |
| 11) Valve Block | 34) Motor Rator | 57) Hand Rod | 80) Flexible Joint |
| 12) Valve plate clamp | 35) Bearing | 58) Flat washer | 81) Flexible Joint Nut |
| 13) Screw | 36) Left Crankcase | 59) Screw | 82) Gasket |
| 14) Cylinder | 37) Nut | 60) Tool Plate | 83) Soft Starter |
| 15) Screw | 38) Shock Pad | 61) Screw | 84) Three-way |
| 16) Valve Board | 39) Nut | 62) Bolt | 85) Nylon Pipe |
| 17) Piston Cup | 40) B Fan | 63) Tank | 86) Exhaust Pipe |
| 18) Connecting Rod | 41) Gas-guide Tube | 64) Foot Wheel | 87) Seal cushion |
| 19) Heightening the lining | 42) O-Ring | 65) Wheel shaft | 88) Check Valve |
| 20) Wind Scooper | 43) Air Filter | 66) Flat washer | 89) Lining |
| 21) Screw | 44) Hush Pipe | 67) Foot Pad | 90) Unloading Pipe |
| 22) A Fan | 45) Plug | 68) Bolt | 91) Cutting Sleeve |
| 23) Crank | 46) Capacity | 69) Ball Valve | 92) Nut |



AC12810

- | | | | |
|-----------------------------|-----------------------|---------------------------|------------------------|
| 01) Screw | 23) Screw | 45) Washer | 67) Flexible Joint Nut |
| 02) Flat washer | 24) Left Crankcase | 46) Screw | 68) Gasket |
| 03) Cylinder Head | 25) Screw | 47) Tool Board | 69) Safty Valve |
| 04) Cylinder sealing gasket | 26) Bearing | 48) Bolt | 70) Pressure Switch |
| 05) O-Ring | 27) Motor Rator | 49) Horizontal Two Tank | 71) Capacity |
| 06) Gas-Guide Tube | 28) Nut | 50) Foot Wheel | 72) Screw |
| 07) Limit Range Implement | 29) Motor Staoitr | 51) Wheel Shaft | 73) Capacity Cover |
| 08) Valve Block | 30) Cushion | 52) Plug (rubber) | 74) Power Cord Buckle |
| 09) Valve Board | 31) Bolt | 53) Foot Pad | 75) Protector |
| 10) Valve plate clamp | 32) Nut | 54) Washer | 76) Elbow |
| 11) Screw | 33) Power Cord Buckle | 55) Bolt | 77) Lining |
| 12) O-Ring | 34) Right Crankcase | 56) Drain Valve | 78) Nylon Pipe |
| 13) Cylinder | 35) Screw | 57) Bolt | 79) Cutting Sleeve |
| 14) Screw | 36) Bearing | 58) Instrument Panel | 80) Nut |
| 15) Valve Board | 37) Crank | 59) Pressure Gauge | 81) Nylon Pipe |
| 16) Piston Cup | 38) A Fan | 60) Quick Connect | 82) Exhaust Pipe |
| 17) Connecting Rod | 39) Air Filter | 61) Regulator Valve Stand | 83) Check Valve |
| 18) Heightening the lining | 40) Nylon Pipe | 62) Pressure Gauge | |
| 19) Wind Scooper | 41) Power Cord | 63) Screw | |
| 20) Circlip for Shaft | 42) Handle Pull Rod | 64) Nut | |
| 21) B Fan | 43) Nut | 65) Straight connection | |
| 22) Shock Pad | 44) Screw | 66) Flexible Joint | |

2- DONNEES TECHNIQUES

FR

AC4504

Tension de alimentation électrique / Fréquence	V / Hz	230 / 50
Puissance nominale	kW	0.24
Pression maxi de service	bar	8
Niveau de puissance sonore garanti (Dir. 2000/14/CE)	dB	58
Vitesse rotation arbre moteur	rpm	1420
Volume réservoir	litres	4
Rendement (aspirés / rendus)	l/min	45 / 28
Température / Humidité air ambiant	°C / %	5 - 40 / 5 - 95
Poids total	kg	10.5
Dimensions (bxlxh)	mm	355x335x300

AC24016

Tension de alimentation électrique / Fréquence	V / Hz	230 / 50
Puissance nominale	kW	1.5
Pression maxi de service	bar	9
Niveau de puissance sonore garanti (Dir. 2000/14/CE)	dB	72
Vitesse rotation arbre moteur	rpm	1400
Volume réservoir	litres	16
Rendement (aspirés / rendus)	l/min	240 / 170
Température / Humidité air ambiant	°C / %	5 - 40 / 5 - 95
Poids total	kg	42.5
Dimensions (bxlxh)	mm	720x510x500

AC12810

Tension de alimentation électrique / Fréquence	V / Hz	230 / 50
Puissance nominale	kW	0.75
Pression maxi de service	bar	9
Niveau de puissance sonore garanti (Dir. 2000/14/CE)	dB	65
Vitesse rotation arbre moteur	rpm	1420
Volume réservoir	litres	10
Rendement (aspirés / rendus)	l/min	128/80
Température / Humidité air ambiant	°C / %	5 - 40 / 5 - 95
Poids total	kg	25.8
Dimensions (bxlxh)	mm	540X465X495

3- MARQUAGE CE ET PLAQUE NIVEAU DE PUISSANCE SONORE GARANTI

Le marquage CE (FIG. 2 -Rif. 1) certifie la conformité de la machine aux conditions essentielles de sécurité et santé prévues par la Directive Machines 2006/42/CE. Le plaque niveau de puissance sonore garanti (FIG. 2 -Rif. 2) , certifie la conformité de la machine aux conditions essentielles de sécurité et santé prévues par la Directive 2000/14/CE. Le plaque niveau de puissance sonore garanti (Fig. 2), certifie la conformité de la machine aux conditions essentielles de sécurité et santé prévues par la Directive 2000/14/CE. Elles se composent d'une plaquette adhésive en polyester, avec impression par transfer thermique couleur noire et sont appliquées sur le panneau du moteur.

4- IMPORTANCE DU MANUEL



AVANT D'UTILISER LA MACHINE EN OBJET IL EST OBLIGATOIRE POUR LES OPERATEURS DE LIRE ET COMPRENDRE DANS TOUTES SES PARTIES CES INSTRUCTIONS POUR L'EMPLOI ET L'ENTRETIEN.

Ces "Instructions pour l'emploi et l'entretien" ont été rédigées selon les indications prévues par la Directive Machines 2006/42/CE , dans le but de garantir une facile et correcte compréhension des sujets traités, de la part des opérateurs chargés de l'emploi et entretien de la machine en objet. Si les opérateurs susdits trouvent quelque incompréhension dans la lecture, on vous prie, pour éviter de mauvaises interprétations compromettant la sécurité de demander immédiatement au Producteur les explications correctes et d'autres renseignements. Les "Instructions pour l'emploi et l'entretien" doivent être, en tout moment, à disposition des opérateurs autorisés et se trouver bien gardées toujours près de la machine.



CES INSTRUCTIONS SONT UNE PARTIE INTEGRANTE DE LA MACHINE ET DOIVENT OBLIGATOIREMENT ETRE GARDEES POUR TOUTE REFERENCE FUTURE JUSQU'A SA DEMOLITION. CE MANUEL DOIT TOUJOURS ETRE A DISPOSITION DES OPERATEURS PREPOSES ET DOIT ETRE PRES DE LA MACHINE, BIEN GARDE'.

LE PRODUCTEUR N'A AUCUNE RESPONSABILITE' POUR DOMMAGES A PERSONNES, ANIMAUX ET CHOSES, CAUSES PAR LE NON RESPECT DES NORMES ET AVERTISSEMENTS DECRITS DANS CES INSTRUCTIONS.

CES INSTRUCTIONS DOIVENT ETRE OBLIGATOIREMENT DELIVREES AVEC LA MACHINE SI ON LA CEDE A UN AUTRE UTILISATEUR.



CES INSTRUCTIONS IDENTIFIENT L'ÉTAT DE LA TECHNIQUE AU MOMENT DE LA VENTE DE LA MACHINE ET NE PEUVENT PAS ÊTRE CONSIDÉRÉES NON APPROPRIÉES UNIQUEMENT PARCE QUE SELON LES NOUVELLES EXPÉRIENCES ELLES PEUVENT ÊTRE MISES A JOUR PAR LA SUITE.

EN CAS DE PERTE OU DÉTÉRIORATION DU MANUEL IL FAUT EN DEMANDER UNE COPIE AU PRODUCTEUR, EN SPÉCIFIANT LE MODÈLE DE LA MACHINE ET LA RÉVISION INDIQUÉE DANS L'EN TÊTE.

5- DESTINATAIRES

Ces "Instructions pour l'emploi et l'entretien" sont destinées exclusivement aux opérateurs autorisés pour l'emploi et l'entretien de la machine selon les compétences spécifiques techniques et professionnelles demandées pour le type d'intervention. Les symboles indiqués ci-dessous sont disposés au début d'un chapitre et/ou paragraphe pour indiquer quel est l'opérateur intéressé à l'argument traité.



LES OPÉRATEURS AUTORISÉS DOIVENT RÉALISER SUR LA MACHINE EXCLUSIVEMENT LES INTERVENTIONS DE LEUR COMPÉTENCE SPÉCIFIQUE. LES OPÉRATEURS AUTORISÉS AVANT DE RÉALISER TOUTE INTERVENTIONS SUR LA MACHINE DOIVENT S'ASSURER D'AVOIR LES PLEINES FACULTÉS PSYCHIQUES ET PHYSIQUES TELLES A' GARANTIR TOUJOURS LE RESPECT DES CONDITIONS DE SÉCURITÉ'.



OPÉRATEUR PRÉPOSÉ: C'est un opérateur ayant 18 ans (usager privé ou travailleur) et qui, en conformité avec ce qui est prévu par la législation en vigueur dans le pays d'emploi en matière de sécurité et santé dans les lieux de travail, soit à même de réaliser exclusivement la mise en marche, l'emploi et l'arrêt de la machine dans le respect absolu des instructions indiquées dans ce manuel, muni des dispositifs de protection individuelle.



TECHNICIEN D'ENTRETIEN MECANIQUE / PNEUMATIQUE: C'est un technicien qualifié habilité pour réaliser exclusivement des interventions sur les dispositifs mécaniques/pneumatiques pour effectuer réglages, entretiens et/ou réparations même avec les protections non habilitées, dans le respect absolu des instructions ici indiquées ou dans un autre document spécifique fourni exclusivement par le producteur, muni des dispositifs de protection individuelle.



TECHNICIEN D'ENTRETIEN ELECTRIQUE: C'est un technicien qualifié habilité pour réaliser exclusivement des interventions sur les dispositifs électriques pour effectuer réglages, entretiens et/ou réparations même en présence de tension électrique et avec les protections non habilitées, dans le respect absolu des instructions ici indiquées ou dans un autre document spécifique fourni exclusivement par le producteur, muni des dispositifs de protection individuelle.



RESPONSABLE DE LA SECURITE DE LA SOCIETE': C'est un technicien qualifié désigné par l'employeur (si on utilise la machine dans le domaine de l'usine) et ayant les capacités techniques et professionnelles demandées par les normes en vigueur en matière de sécurité et de santé des travailleurs sur les postes de travail.



TECHNICIEN DU PRODUCTEUR: C'est un technicien qualifié mis à disposition par le Producteur et/ou par le Vendeur autorisé pour effectuer l'assistance technique demandée, interventions d'entretien extraordinaire et/ou opérations non indiquées ici demandant une connaissance spécifique de la machine, muni des dispositifs de protection individuelle.

6- ETAT "MACHINE ARRETEE"



Avant toute intervention et/ou réglage sur la machine, il est obligatoire de vider le réservoir (absence de pression), sectionner la source d'alimentation électrique, s'assurer que la machine soit effectivement arrêtée et qu'il n'y a pas un démarrage non prévu (interrupteur "ON-OFF" dans la pos. "OFF (0)" et câble d'alimentation électrique débranché de la prise de réseau et positionné près de la machine.

7- GARANTIE

- 1) **DECLARATION DE GARANTIE:** Le producteur s'engage vis-à-vis de l'acheteur à remplacer, réparer ou intervenir autrement sur la machine si elle présente des défauts de conformité compromettant son emploi et fonctionnement corrects, exclusivement si ces défauts sont dus à l'effective responsabilité du producteur. Le producteur se réserve le droit d'adopter la solution la meilleure pour rétablir la conformité de la machine dans une période de temps raisonnable.
- 2) **ACHETEUR:** L'acheteur se définit "consommateur" lorsque l'achat est effectué par une personne physique qui agit pour les buts inclus dans le domaine de son activité commerciale ou professionnelle; L'acheteur se définit "professionnel ou bien compagnie" lorsque l'achat est effectué par un professionnel ou bien une maison agissant pour les buts inclus dans le domaine de son activité commerciale ou professionnelle;
- 3) **TERMES:** Le producteur est responsable lorsque le défaut de conformité se manifeste dans les termes suivants dès la date d'achat: 24 mois si l'achat a été effectué par un "consommateur" comme décrit au point 2); 12 mois si l'achat a été effectué par un "professionnel ou une compagnie" comme décrit au point 2);
- 4) **VALIDITE:** La garantie est valable lorsque l'acheteur dénonce au producteur le défaut de conformité dans 2 mois dès la date dans laquelle il a relevé ce défaut. Cette dénonciation doit être obligatoirement accompagnée par un document d'achat régulier (reçu fiscal ou facture).
- 5) **ECHÉANCE:** La garantie échoit au cas où l'acheteur utilise la machine d'une façon impropre et/ou non conforme aux instructions pour l'emploi et l'entretien fournie par le producteur, ou bien au cas où le défaut de conformité était causé par faute d'expertise de l'acheteur.
- 6) **RESPONSABILITE':** Le producteur est exonéré de toute responsabilité conséquente d'éventuels dommages créés à l'acheteur, dérivant d'une faute ou d'une perte de production, consécutifs à éventuels défauts de conformité.
- 7) **FRAIS:** Les frais relatifs à la main d'œuvre et aux matériaux, nécessaires pour le rétablissement de la conformité de la machine, sont à la charge du Producteur. Les frais et les modalités d'envoi sont à agréer avec le Vendeur Autorisé.

8- DROITS RESERVES

Les droits réservés concernant ce manuel "INSTRUCTIONS POUR L'EMPLOI ET L'ENTRETIEN" restent propriété du Producteur. Aucune partie des "instructions pour l'emploi et l'entretien" ne peut être reproduite et diffusée (complètement ou partiellement) avec n'importe quel moyen, sans l'autorisation écrite du Producteur.

9- DESTINATION D'EMPLOI

TYPE D'EMPLOI	Industriel, artisanal et civil.
LIEU D'EMPLOI	Lieux fermés ou ouverts, (non exposés aux intempéries) suffisamment ventilés, illuminés, avec valeurs de température et humidité de l'air ambiant indiqués en par. 2 prévus pour les dispositions législatives en vigueur dans le pays d'emploi en matière de sécurité et santé dans les lieux de travail. La machine doit être positionnée sur un sol plat, en assurant sa stabilité en proportion avec le poids et les dimensions générales (par. 2) . ATTENTION! IL EST OBLIGATOIRE DE TENIR LA MACHINE HORS DE LA PORTEE DES ENFANTS.
EMPLOI PREVU	Compression de l'air (sans huile) pour l'emploi d'outils pneumatiques appropriés et conformes aux normes en vigueur (Ex.: soufflettes, gonflage, lavage, vernissage ou sablage, etc...).
OPERATEURS PREPOSES POUR L'EMPLOI	Un opérateur autorisé ayant les capacités techniques et professionnelles décrits au par. 5.

10- LIMITATIONS DANS L'EMPLOI

La machine a été construite et réalisée exclusivement pour la destination d'emploi indiquée au par. 9 , donc il est absolument interdit tout autre emploi, dans le but de garantir en tout moment la sécurité des opérateurs préposés et l'efficacité de la même.



ON INTERDIT ABSOLUMENT LA MISE EN SERVICE DE LA MACHINE DANS DES ENVIRONNEMENTS AVEC ATMOSPHERE POTENTIELLEMENT EXPLOSIVE ET/OU EN PRESENCE DE POUSSIÈRES COMBUSTIBLES (EX. POUSSIÈRES DE BOIS, FARINES, SUCRES ET GRAINS).

LIMITATIONS DANS L'EMPLOI: L'UTILISATION DE LA MACHINE EST UNIQUEMENT AUTORISÉ DANS DES ENDROITS PRÉVUS AU PARAGRAPHE 9.

IL EST OBLIGATOIRE DE TENIR LA MACHINE HORS DE LA PORTÉE DES ENFANTS.

PENDANT L'EMPLOI IL FAUT VEILLER CONSTAMMENT À CE QUE DES PERSONNES NON AUTORISÉES NE S'APPROCHENT PAS DE LA MACHINE.



ON INTERDIT ABSOLUMENT L'EMPLOI DE TUYAUX D'AIR (RALLONGES), RACCORDS ET OUTILS NON APPROPRIÉS ET/OU NON-CONFORMES AUX NORMES EN VIGUEUR.

ON INTERDIT ABSOLUMENT DE LEVER LA MACHINE AVEC GRUE ET/OU CHARIOT ÉLÉVATEUR.

ON INTERDIT ABSOLUMENT DE DIRIGER DES JETS D'AIR COMPRIÈRE CONTRE LES PERSONNES, ANIMAUX ET CHOSES.

ON INTERDIT ABSOLUMENT D'UTILISER LA MACHINE POUR LE TRANSPORT ET/OU LE LEVAGE DE PERSONNES, ANIMAUX ET CHOSES.

ON INTERDIT ABSOLUMENT DE MONTER SUR LA MACHINE.

ON INTERDIT ABSOLUMENT DE TRAINER LA MACHINE AVEC TOUT MOYEN ET/OU VÉHICULE.

ON INTERDIT ABSOLUMENT DE METTRE EN MOUVEMENT LA MACHINE SUR DES DESCENTES ET/OU PENTES DANGEREUSES.

DANGER DE BRULURES PAR CONTACT ACCIDENTEL AVEC LE GROUPE POMPANT BICYLINDRIQUE ET MOTEUR ÉLECTRIQUE. ATTENTION, IL Y A UN RISQUE RÉSIDUEL (V. PAR. 21).

11- TRANSPORT ET MANUTENTION DE LA MACHINE

FR



La machine peut être transportée manuellement par deux opérateurs préposés en la prenant par le pied (FIG. 3 -Réf. 1) et par la poignée (FIG. 4 -Réf. 2) ou manipulée manuellement par un opérateur préposé par la poignée (FIG. 3 -Réf. 3) et les roues (FIG. 3 -Réf. 4) dont elle est équipée.



LE TRANSPORT DE LA MACHINE DOIT ETRE OBLIGATOIREMENT REALISE PAR DEUX OPERATEURS PREPOSES DANS LE RESPECT DES NORMES SUR LE "MOUVEMENT MANUEL DES CHARGES" POUR EVITER DES CONDITIONS ERGONOMIQUES DEFAVORABLES COMPORTANT DES RISQUES DE LESIONS AU DOS.

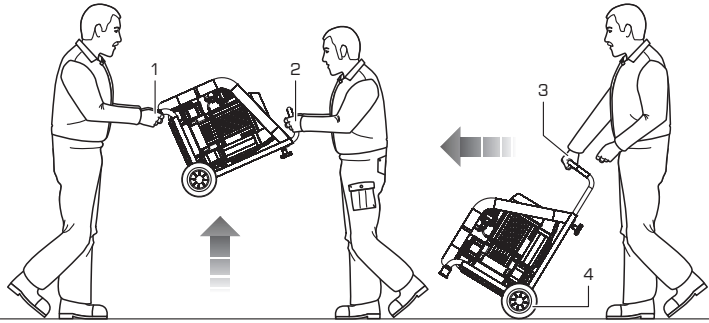


Fig. 3

12- EMBALLAGE

La machine est emballée par le producteur dans une boîte de carton munie de deux poignées et contenant: N. 1 Compresseur et N. 1 Instructions pour l'emploi et l'entretien.

13- DEBALLAGE

Une fois positionné l'emballage à terre sur une surface plate qui en assure sa stabilité il faut procéder au déballage en enlevant la machine depuis l'emballage dans le respect des indications du par. 11.



ON RECOMMANDE D'ÉLIMINER L'EMBALLAGE SELON LES DIFFÉRENTES TYPOLOGIES DE MATÉRIAU DANS LE RESPECT ABSOLU DE LA LÉGISLATION EN VIGUEUR DANS LE PAYS D'EMPLOI.

14- POSITIONNEMENT



La machine doit être positionnée dans un lieu de travail avec les caractéristiques décrites au par. 2 , positionnée sur un sol plat, en assurant sa stabilité en proportion avec le poids et les dimensions générales (par. 2) .



POUR ASSURER AUX OPERATEURS AUTORISES LA POSSIBILITE' D'OPERER EN SECURITE', ON CONSEILLE DE POSITIONNER LA MACHINE A LA DISTANCE MINIMALE DE 1 m DEPUIS AUTRES OBJETS ET/OU ENCOMBREMENTS.

15- STOCKAGE



Au cas où la machine ne soit pas utilisée pendant une longue période de temps, il faut la stocker dans un endroit sûr, avec un degré de température et humidité appropriés; il faut aussi la protéger de la poussière. On conseille, avant stockage de la machine, de purger la condensation du réservoir d'air.

16- CONNEXION ELECTRIQUE



On peut brancher la machine au réseau d'alimentation électrique en introduisant la fiche du câble d'alimentation électrique dans la prise appropriée.



LE RESEAU D'ALIMENTATION ELECTRIQUE AUQUEL EST BRANCHE LA MACHINE DOIT ETRE CONFORME AUX CONDITIONS PREVUES PAR LA LEGISLATION EN VIGUEUR DANS LE PAYS D'EMPLOI, SATISFAIRE LES CARACTERISTIQUES TECHNIQUES DE LA PAR. 2 ET AVOIR UNE INSTALLATION DE "MISE A TERRE" APPROPRIEE.

TOUTE TYPE DE MATÉRIAU ÉLECTRIQUE UTILISÉ POUR LA CONNEXION DOIT ÊTRE APPROPRIÉ POUR L'EMPLOI, MARQUE "CE" SI SOUMIS A LA DIRECTIVE BASSE TENSION 2006/95/CE ET CONFORME AUX CONDITIONS DEMANDÉES PAR LES NORMES EN VIGUEUR DANS LE PAYS D'EMPLOI DE LA MACHINE.



LE NON RESPECT DES AVERTISSEMENTS MENTIONNÉS CI-DESSOUS PEUT CAUSER DES DOMMAGES IRRÉPARABLES AU PANNEAU ÉLECTRIQUE DE LA MACHINE AVEC UNE ÉCHÉANCE DE LA GARANTIE.

LE PRODUCTEUR N'A AUCUNE RESPONSABILITE' POUR PANNES OU ANOMALIES DE FONCTIONNEMENT DE LA MACHINE CAUSES PAR DES DIFFERENCES DE TENSION ELECTRIQUE AU DE LA DES TOLERANCES PREVUES PAR L'ORGANISME DISTRIBUTEUR (TENSION $\pm 10\%$ -FREQUENCE $\pm 2\%$).

S'IL EST NECESSAIRE, IL EST OBLIGATOIRE DE CONNECTER LA MACHINE EXCLUSIVEMENT A' DES GÉNÉRATEURS DE COURANT ÉLECTRIQUE AVEC PUISSANCES PLUS GRANDES DE LA PUISSANCE ELECTRIQUE INSTALLE (V. PAR. 2), POUR SUPPORTER LE DÉPART DU COURANT DE DÉMARRAGE.

17- CONNEXION DU TUYAU DE L'AIR (RALLONGE) ET DES OUTILS



- 1) Connecter l'outil au tuyau de l'air (rallonge);
- 2) Connecter le tuyau de l'air (rallonge) au robinet rapide de sortie de l'air de la machine (FIG. 1 -Réf. 14).



ON INTERDIT ABSOLUMENT L'EMPLOI DE TUYAUX D'AIR (RALLONGES), RACCORDS ET OUTILS NON APPROPRIÉS ET NON-CONFORMES AUX NORMES EN VIGUEUR.

IL EST OBLIGATOIRE D'UTILISER DES TUYAUX D'AIR (RALLONGES), RACCORDS ET OUTILS, EN CONFORMITE' AVEC CE QUI EST PREVU PAR LES INSTRUCTIONS POUR L'EMPLOI ET L'ENTRETIEN FOURNIES PAR LES RELATIFS PRODUCTEURS.

LE PRODUCTEUR DECLINE TOUTE RESPONSABILITE POUR D'ÉVENTUELS DOMMAGES A PERSONNES, ANIMAUX ET CHOSSES, CAUSES PAR LE NON RESPECT DES AVERTISSEMENTS SUSDITS.

18- DISPOSITIFS DE SECURITE' ADOPTES

- 1) VANNE DE SECURITE' (FIG. 1 -Réf. 4): C'est une vanne de sécurité certifiée (calibrée à 10,5 bar), installée sur l'installation pneumatique au dessous du pressostat. Elle sert pour décharger la surpression de l'installation si le pressostat, pour éventuelles anomalies, ne marche pas. L'intervention de la vanne de sécurité oblige l'opérateur à arrêter la machine et demander l'intervention des techniciens d'entretien.
- 2) PRESSOSTAT (FIG. 1 -Réf. 8): C'est un dispositif électropneumatique (calibré à min. 7 bar max. 10 bar) installé sur l'installation pneumatique. Il sert pour commander le démarrage automatique de la machine lorsque la pression d'exercice descend à 7 bar et l'arrêt automatique quand la pression d'exercice rejoint les 10 bar.
- 3) GRILLE DE PROTECTION FIXE VENTILATEUR DE REFROIDISSEMENT (FIG. 1 -Réf. 17): C'est une protection fixe constituée par une grille en matériau plastique fixée avec des vis à la base du groupe pompant bi-cylindrique. Elle sert pour empêcher le contact accidentel avec le ventilateur de refroidissement en mouvement.
- 4) DISJONCTEUR THERMIQUE À RÉARMEMENT (FIG. 1 -Réf. 12): C'est une protection thermique installée sur l'installation électrique qui arrête le moteur électrique en cas de surcharge de courant et/ou court circuit. On peut réaliser le rétablissement à l'aide du bouton de réarmement (v. FIG. 7 -Réf. 1) .
- 5) MANOMETRE PRESSION RESERVOIR (FIG. 1 -Réf. 6): C'est un dispositif de mesurage installé sur le réservoir de la machine. Il affiche la pression de l'air comprimé à l'intérieur du réservoir.
- 6) MANOMETRE PRESSION EN SORTIE (FIG. 1 -Réf. 7): C'est un dispositif de mesurage installé sur l'installation pneumatique de la machine en amont du robinet rapide de sortie air. Il affiche la pression à la sortie, réglable à travers le régulateur de pression approprié (0 à 10 bar) (FIG. 1 -Réf. 13) .



IL EST ABSOLUMENT INTERDIT DE MANIPULER, EXCLURE ET/OU ENLEVER TOUT DISPOSITIF DE SECURITE' EXISTANT DANS LA MACHINE.

IL EST ABSOLUMENT INTERDIT DE REMPLACER TOUT DISPOSITIF DE SECURITE' OU BIEN UN DE SES COMPOSANTS AVEC DES PIECES DE RECHANGE NON ORIGINALES.

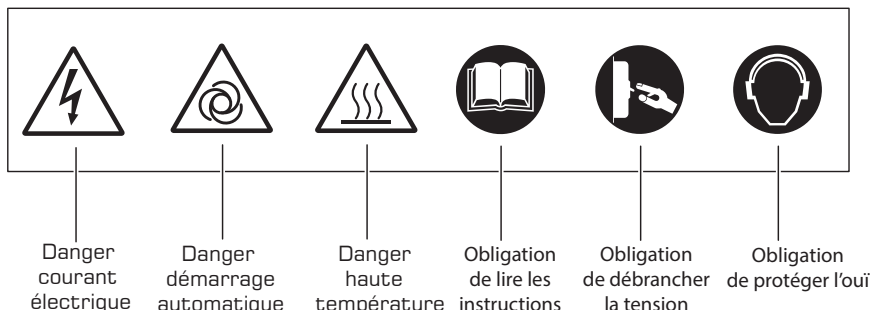
IL EST OBLIGATOIRE DE CONTROLER CONSTAMMENT LE BON FONCTIONNEMENT DE TOUS LES DISPOSITIFS DE SECURITE' INSTALLES DANS LA MACHINE.

IL EST OBLIGATOIRE DE REMPLACER IMMEDIATEMENT LES EVENTUELS DISPOSITIFS DE SECURITE DE MAUVAIS FONCTIONNEMENT ET/OU ENDOMMAGES.

19- SIGNAUX DE SECURITÉ

Les signaux de sécurité utilisés se composent d'une étiquette adhésive, appliquée à l'extérieur de la machine (FIG. 4).

Signification des symboles:



IL EST OBLIGATOIRE DE MAINTENIR BIEN PROPRES LES SIGNAUX DE SECURITÉ POUR GARANTIR LA BONNE VISIBILITÉ.

IL EST ABSOLUMENT INTERDIT D'ENLEVER OU ENDOMMAGER LES SIGNAUX DE SECURITE' APPLIQUÉS À LA MACHINE.

IL EST OBLIGATOIRE DE REMPLACER LES SIGNAUX DE SECURITE' DETERIORES, EN LES DEMANDANT AU PRODUCTEUR ET/OU VENDEUR AUTORISÉ.

20- DISPOSITIFS DE PROTECTION INDIVIDUELLE (DPI)



ON INTERDIT AUX OPÉRATEURS AUTORISÉS DE VETIR DES VÊTEMENTS ET ACCESSOIRES POUVANT RESTER ENCASTRÉS DANS LA MACHINE. IL EST OBLIGATOIRE DE UTILISER LES DPI PRÉVUS PAR LE PRODUCTEUR.

IL EST OBLIGATOIRE QUE LES OPÉRATEURS AUTORISÉS UTILISENT LES DPI PRÉVUS PAR LES PRODUCTEURS DES OUTILS UTILISÉS ET SUR LA BASE DU TYPE FONCTIONNEMENT.

SIGNALE	DPI OBLIGATOIRES	TYPE D'EMPLOI
	• Protection des mains (Gants antichaleur)	Si on demande de l'entretien sans attendre que le moteur électrique et le groupe de compression bicylindre se refroidit.
	• Protection de l'ouï (Casques)	Pendant toutes les phases de fonctionnement.
	• Protection des pieds (Chaussures avec pointe renforcée)	Pendant le transport de la machine.

21- RISQUES RESIDUELS

On informe les opérateurs préposés que même si le producteur a utilisé toutes les précautions techniques constructives possibles pour rendre la machine sûre, il y a encore un potentiel risque résiduel.

RISQUE RESIDUEL	Danger de brûlures par contact accidentel avec le groupe de compression bicylindre et moteur électrique.
FREQUENCE D'EXPOSITION	Basse et accidentelle. Il peut y avoir exposition si l'opérateur décide de réaliser volontairement une action EXPOSITION incorrecte, interdite et non raisonnablement prévoyable.
DIMENSIONS DU DOMMAGE	Lésions légères (normalement réversibles).
DISPOSITIONS ADOPTÉES	Signaux de sécurité (v. par. 19) ; Obligation d'utiliser les dispositifs de protection individuelle (DPI) (v. par. 20) et/ou ADOPTÉES attendre le refroidissement de la machine.

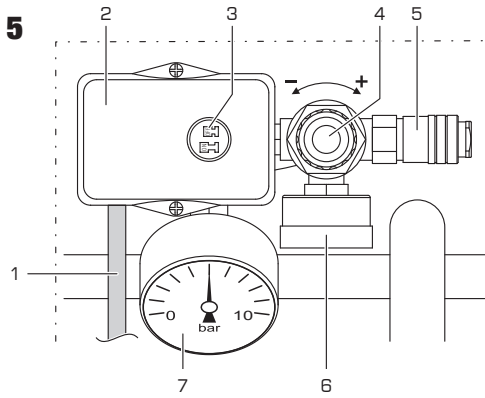
22- DISPOSITIFS DE COMMANDE

FR

Les dispositifs de commande sont indiqués en FIG. 5.

- 1) Câble d'alimentation électrique
- 2) Pressostat
- 3) Interrupteur "ON-OFF"
- 4) Réglage de la pression en sortie
- 5) Robinet rapide sortie air
- 6) Manomètre de la pression en sortie
- 7) Manomètre pression réservoir

Fig. 5



23- CONTRÔLES AVANT LA MISE EN MARCHÉ



AVANT DE RÉALISER LA MISE EN MARCHÉ DE LA MACHINE LES OPÉRATEURS AUTORISÉS DOIVENT OBLIGATOIREMENT RÉALISER LES CONTRÔLES INDICÉS CI DESSOUS.

- 1) S'assurer qu'il n'y ait pas de personnes non autorisées près de la machine.
- 2) S'assurer que les dispositifs de sécurité soient intègres et correctement installés et en parfait état de fonctionnement (v. par. 18).
- 3) S'assurer que la machine soit correctement positionnée (v. par. 14).
- 4) S'assurer que l'interrupteur ou sélecteur "ON-OFF" soit en pos. "OFF (0)" (v. par. 22).
- 5) S'assurer que la vanne de purge soit fermée (FIG. 1 - Réf. 5).
- 6) Utiliser les dispositifs de protection individuelle (DPI) obligatoires (par. 20).
- 7) S'assurer d'avoir lu et compris dans toutes ses parties les "Instructions pour l'emploi et l'entretien".

24- MISE EN MARCHÉ DE LA MACHINE

LES OPERATEUR AUTORISÉS PEUVENT METTRE EN MARCHÉ LA MACHINE UNIQUEMENT APRÈS AVOIR OBLIGATOIREMENT RÉALISÉ LES CONTRÔLES DÉCRITS AU PAR. 23. AVANT D'UTILISER LA MACHINE EN OBJET IL EST OBLIGATOIRE POUR LES OPERATEURS DE LIRE ET COMPRENDRE DANS TOUTES SES PARTIES LE INSTRUCTIONS.

PENDANT L'UTILISATION IL FAUT VEILLER CONSTAMMENT À CE QUE DES PERSONNES NON AUTORISÉES NE S'APPROCHENT PAS DE LA MACHINE.

IL EST INTERDIT AUX OPERATEURS AUTORISÉS DE LAISSER SANS SURVEILLANCE LA MACHINE PENDANT LE FONCTIONNEMENT ET LES ENTRETIENS.

DANGER DE BRULURES PAR CONTACT ACCIDENTEL AVEC L'ENSEMBLE GROUPE DE COMPRESSION BICYLINDRE ET MOTEUR ÉLECTRIQUE. ATTENTION, IL Y A UN RISQUE RÉSIDUEL (V. PAR. 21).

LE PRODUCTEUR N'A AUCUNE RESPONSABILITÉ POUR DOMMAGES A PERSONNES, ANIMAUX ET CHOSSES, CAUSÉS PAR LE NON RESPECT DES NORMES ET AVERTISSEMENTS DÉCRITS DANS LE INSTRUCTIONS.

LE PRODUCTEUR N'A AUCUNE RESPONSABILITÉ SUR LE RESULTAT FINAL DE L'USINAGE CAR IL DEPEND EXCLUSIVEMENT DU TYPE D'OUTIL UTILISÉ ET DES HABILITÉS PROFESSIONNELLES DES OPERATEURS AUTORISÉS.



- 1) On peut brancher la machine au réseau d'alimentation électrique en introduisant la fiche du câble d'alimentation électrique (FIG. 5 -Réf. 1) dans la prise appropriée;
- 2) Allumer la machine en tirant l'interrupteur "ON-OFF" (FIG. 5 -Réf.



- 3) en pos. "ON (I)" (la machine fonctionne jusqu'à atteindre la pression max. d'exercice de 10 bar, après elle s'arrête automatiquement); 3) Régler la pression à la sortie en utilisant le régulateur approprié (FIG. 5 -Réf. 4), selon l'outil utilisé et le type d'usinage. Contrôler la pression dans le manomètre approprié (FIG. 5 -Réf. 6);

ON INTERDIT DE VISSER OUTRE LE FIN DE COURSE LE REGULATEUR DE PRESSION EN SORTIE (FIG. 5 -RÉF. 4) POUR EVITER D'ENDOMMAGER LA MEMBRANE.

- 4) Connecter l'outil au tuyau de l'air (rallonge);



- 5) Connecter le tuyau de l'air (rallonge) au robinet rapide de sortie de l'air de la machine (FIG. 5 - RÉF. 5);

ON INTERDIT ABSOLUMENT L'EMPLOI DE TUYAUX D'AIR (RALLONGES), RACCORDS ET OUTILS NON-CONFORMES AUX NORMES EN VIGUEUR.

IL EST OBLIGATOIRE D'UTILISER DES TUYAUX D'AIR (RALLONGES), RACCORDS ET OUTILS, EN CONFORMITÉ AVEC CE QUI EST PREVU PAR LES INSTRUCTIONS POUR L'EMPLOI ET L'ENTRETIEN FOURNIES PAR LES RELATIFS PRODUCTEURS.

- 6) Réaliser l'usinage (la machine se rallume automatiquement lorsque la pression d'exercice descend au dessous des 7 bar);
- 7) Une fois terminé l'usinage, éteindre la machine comme décrit au par. 25.

25- ARRÊTER LA MACHINE



A la fin du cycle arrêter la machine comme suit:

- 1) Arrêter la machine en tirant l'interrupteur "ON-OFF" (FIG. 5 - RÉF. 3) en pos. "OFF (0)";
- 2) Débrancher la machine du réseau d'alimentation électrique en débranchant la fiche du câble d'alimentation électrique (FIG. 5 -RÉF. 1) dans la prise appropriée;
- 3) Débrancher l'outil du tuyau de l'air (rallonge);
- 4) Débrancher le tuyau de l'air (rallonge) du robinet rapide de sortie de l'air (FIG. 5 -RÉF. 5) de la machine;
- 5) Effectuer la purge du réservoir uniquement en cas de fin de cycle de travail (FIG. 1 -RÉF. 5).

26- DISJONCTEUR THERMIQUE À RÉARMEMENT



S'il y a une surcharge de courant et/ou un court circuit dans l'installation électrique de la machine, le disjoncteur thermique intervient en arrêtant le moteur électrique. Pour réaliser le reset, procéder comme suit:

- 1) Appuyer sur l'interrupteur "ON-OFF" (FIG. 5 -Réf. 3) en pos. "OFF (0)";
- 2) Appuyer sur le bouton du disjoncteur thermique (FIG. 7 -Réf. 1);
- 3) Avant de rallumer la machine attendre quelque minute.



SI APRES AVOIR REALISÉ UN RESET LA MACHINE NE SE RALLUME PAS, L'OPERATEUR PREPOSE DOIT OBLIGATOIREMENT DEMANDER L'INTERVENTION DES TECHNICIENS D'ENTRETIEN ET/OU DU VENDEUR AUTORISÉ.

27- ARRÊT D'URGENCE



L'arrêt d'urgence de la machine peut s'effectuer en appuyant en pos. "OFF" l'interrupteur "ON-OFF" (FIG. 5 -Réf. 3) .
Pour éviter des situations de danger prochain ou imminent, les opérateurs autorisés doivent obligatoirement réaliser les suivantes opérations:

- 1) PORTER RAPIDEMENT EN POS. "OFF" L'INTERRUPTEUR "ON-OFF" (FIG. 5 - RÉF. 3).
- 2) PRÉVENIR D'URGENCE LE "RESPONSABLE DE LA SÉCURITÉ" (SI LA MACHINE EST UTILISÉE DANS L'USINE).

28- MISE EN MARCHÉ APRÈS UN ARRÊT D'URGENCE



Seulement et exclusivement après avoir éliminé les causes de l'arrêt d'urgence et avoir attentivement estimé qu'elles n'ont pas créé des dommages et/ou anomalies à la machine, avec le consentement du "Responsable de la sécurité", (si on utilise la machine dans l'usine) il faut mettre en marche la machine comme décrit au par. 24.

29- ENTRETIEN DE ROUTINE





C'est l'ensemble des activités développées pour maintenir les conditions d'emploi et fonctionnement de la machine, à travers plusieurs types d'intervention (réglages, contrôle visuel, nettoyage des filtres, etc...) réalisés par le technicien d'entretien, autorisé à la fréquence établie.



LES OPÉRATEURS AUTORISÉS DOIVENT RÉALISER EXCLUSIVEMENT LES OPÉRATIONS DE LEUR COMPÉTENCE SPECIFIQUE (V. PAR. 5) ET AVEC LE CONSENTEMENT DU RESPONSABLE DE LA SÉCURITÉ DE LA MAISON (SI LA MACHINE EST UTILISÉE DANS LE DOMAINE DE L'USINE).

ON INTERDIT AUX OPERATEURS AUTORISES DE LAISSER SANS GARDE LA MACHINE PENDANT SON FONCTIONNEMENT ET PENDANT LES OPERATIONS D'ENTRETIEN.

TABLE ENTRETIEN ROUTINE		
FREQUENCE	POINT D'INTERVENTION	TYPE D'INTERVENTION
TOUS LES JOURS 	Dispositifs de sécurité	S'assurer qu'ils soient intègres, correctement installés et fonctionnants.
	Câble et fiche d'alimentation électrique	Contrôle visuel l'état d'usure.
	Réservoir	A chaque fin de cycle de travail il faut appuyer la machine à terre et décharger le condensât depuis le réservoir en ouvrant la vanne de purge. (FIG. 1 -Réf. 5).
CHAQUE SEMAINE 	Roues	Contrôle de la pression des roues. Eventuellement gonfler avec air comprimé jusqu'à max. 2,5 Roues bar.
	N. 2 Filtres aire	Dévisser les vis (FIG. 6 - Réf. 1); Enlever le couvercle (FIG. 6 - Réf. 2); N. 2 Filtres aire Extraire le filtre (FIG. 6 - Réf. 3) et le nettoyer avec air; Monter de nouveau correctement le couvercle. N.B.: Remplacer en cas d'évident état d'usure.

30- ENTRETIEN EXTRAORDINAIRE



C'est l'ensemble des activités développées pour maintenir les conditions d'emploi et fonctionnement de la machine, à travers plusieurs types d'intervention (réglages, remplacements, etc...) réalisés exclusivement par les techniciens du producteur en cas de panne ou bien usure.



POUR TOUTE INTERVENTION D'ENTRETIEN EXTRAORDINAIRE IL FAUT DEMANDER OBLIGATOIREMENT L'ASSISTANCE TECHNIQUE AU PRODUCTEUR OU BIEN AU VENDEUR AUTORISÉ'

31- DESTRUCTION ET RECYCLAGE



Au moment de la destruction de la machine, il faut suivre obligatoirement les prescriptions des normes en vigueur. Procéder à la séparation des parties qui constituent la machine selon les différents types de matériaux de construction (plastique, cuivre, fer, etc.).

32- PIÈCES DE RECHANGE



LES PIÈCES DE RECHANGE ORIGINALES POUR ÉVENTUELS REMPLACEMENTS DOIVENT ÊTRE DEMANDÉES EXCLUSIVEMENT AU PRODUCTEUR OU AU VENDEUR AUTORISÉ'. IL EST ABSOLUMENT INTERDIT DE REMPLACER TOUT COMPOSANT DE LA MACHINE AVEC DES PIÈCES DE RECHANGE NON ORIGINALES.

33- ANOMALIES - CAUSES - REMEDES




Dans la table qui suit on indique une série de situations pouvant se vérifier pendant l'emploi de la machine.

FR

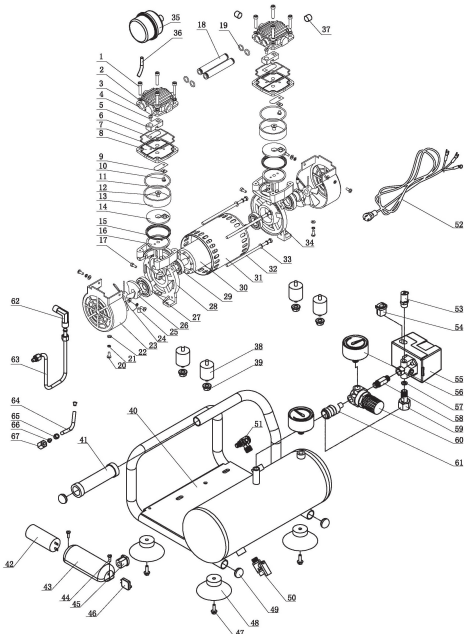


LES OPERATEURS AUTORISES DOIVENT REALISER EXCLUSIVEMENT LES OPERATIONS DE LEUR COMPETENCE SPECIFIQUE (V. PAR.6) ET AVEC LE CONSENTEMENT DU RESPONSABLE DE LA SECURITE DE LA MAISON. (SI ON UTILISE LA MACHINE DANS LE DOMAINE DE L'USINE).

ANOMALIES	CAUSES	REMEDES
La machine ne fonctionne pas ou bien s'arrête et ne redémarre pas.	Faute d'alimentation électrique.	1) Contrôler que l'interrupteur "ON-OFF" soit en pos. "ON (I)"; 2) Contrôler que la fiche du câble d'alimentation électrique marche et soit correctement introduite dans la prise appropriée. 3) Contrôler que les éventuelles rallonges et la prise de courant soient en fonction. 4) Contrôler que l'interrupteur général du réseau d'alimentation électrique soit en fonction et en pos. "ON (I)".
	Intervention du disjoncteur thermique à réarmement par surcharge de courant et/ou court circuit.	Realiser la procédure décrite au par. 26.
La machine redémarre plusieurs fois sans utiliser l'outil.	Fuites depuis le tuyau air, l'outil ou l'installation pneumatique.	1) Contrôler que l'installation pneumatique n'ait pas subi des dommages. 2) Contrôler l'intégrité et les connexions du tuyau air et de l'outil.
L'air ne sort pas de l'outil.	Le réservoir n'est pas en pression.	Mettre en marche la machine et attendre le chargement du réservoir en vérifiant la pression sur le manomètre approprié.
	Mauvais réglage de la pression en sortie.	Contrôler que la valeur indiquée dans le manomètre pression en sortie soit de plus de 0 (zéro) bar.
	L'outil est endommagé.	Contrôler l'intégrité et efficacité de l'outil.
Réduction de pression du réservoir air.	Pertes depuis le tuyau air, outil ou installation pneumatique.	1) Contrôler l'intégrité de l'installation pneumatique. 2) Contrôler l'intégrité du tuyau air et de l'outil. 3) Contrôler que les connections machine-tuyau air et tuyau-outil soient correctes. 4) S'assurer que la vanne de purge soit fermée.
Intervention de la vanne de sécurité.	Pressostat en panne.	 Contacter un Vendeur autorisé.
Perte d'air de la vanne du pressostat avec la machine arrêtée.	Vanne de rétention sale ou usée.	
La machine vibre et/ou émet beaucoup de bruit.	Rupture mécanique.	
Démarrages fréquents et bas rendement.	Filtres air sales.	Réaliser le nettoyage des filtres (v. par. 29).

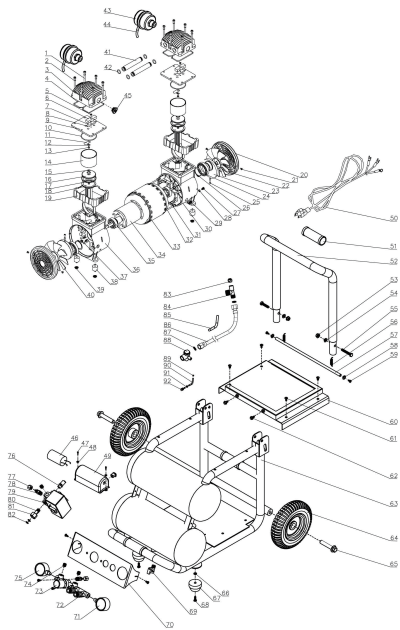
1- BEZEICHNUNG DER KOMPONENTEN

DE



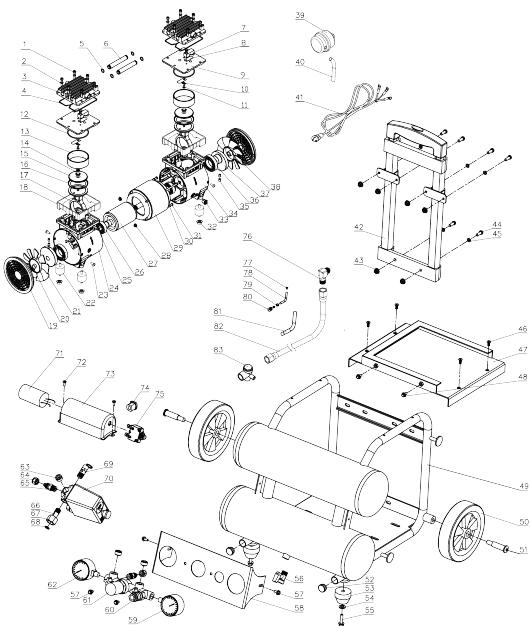
AC4504

- | | | | |
|---------------------------|---------------------|-----------------------|-----------------------|
| 01) Screw | 18) Gas-guide Tube | 35) Air Filter | 52) Power Cord |
| 02) Cushion | 19) O-ring | 36) Hush Pipe | 53) Safty Valve |
| 03) Cylinder Head | 20) Screw | 37) Choke plug | 54) Power Cord Buckle |
| 04) Screw | 21) Cushion | 38) Shock Pad | 55) Pressure Switch |
| 05) Limit Range Implement | 22) Flat washer | 39) Nut | 56) Pressure Gauge |
| 06) Valve Block | 23) Wind Scooper | 40) Horizontal Tank | 57) Gasket |
| 07) Seal | 24) Fan | 41) Handle Sleeve | 58) Double Joint |
| 08) Valve Board | 25) Screw | 42) Capacity | 59) Flexible Joint |
| 09) Valve plate clamp | 26) Crank | 43) Capacity Cover | 60) Regulator Valve |
| 10) Screw | 27) Bearing | 44) Screw | 61) Quick Connect |
| 11) O-Ring | 28) Left Crankcase | 45) Power Cord Buckle | 62) Elbow |
| 12) Screw | 29) Bearing | 46) Protector | 63) Exhaust Pipe(AI) |
| 13) Cylinder | 30) Motor Rator | 47) Scew | 64) Unloading Pipe |
| 14) Valve Board | 31) Motor Staotr | 48) Foot Pad | 65) Cutting Sleeve |
| 15) Piston Cup | 32) Bolt | 49) Apertural Plug | 66) Lining |
| 16) Connecting Rod | 33) Flat washer | 50) Ball Valve | 67) Nut |
| 17) Screw | 34) Right Crankcase | 51) Check Valve | |



AC24016

- | | | | |
|----------------------------|--|----------------------|------------------------|
| 01) Screw | 24) Bearing | 47) Screw | 70) Instrument panel |
| 02) Cushion | 25) Screw | 48) Flat washer | 71) Pressure Gauge |
| 03) Cylinder Head | 26) circlip for shaft | 49) Capacity Cover | 72) Quick Connect |
| 04) Seal | 27) Screw | 50) Power Cord | 73) Regulator Valve |
| 05) Screw | 28) Serrated Lock Washers Internal Teeth | 51) Handle Sleeve | 74) Screw |
| 06) Limit Range Implement | 29) Power Cord Buckle | 52) Handle | 75) Pressure Gauge |
| 07) Valve Block | 30) Right Crankcase | 53) Nut | 76) Safty Valve |
| 08) Valve Block | 31) Cushion | 54) Flat washer | 77) Nut |
| 09) Valve Board | 32) Bolt | 55) Bolt | 78) straight joint |
| 10) O-Ring | 33) Motor Staotr | 56) Extension Spring | 79) Pressure Switch |
| 11) Valve Block | 34) Motor Rator | 57) Hand Rod | 80) Flexible Joint |
| 12) Valve plate clamp | 35) Bearing | 58) Flat washer | 81) Flexible Joint Nut |
| 13) Screw | 36) Left Crankcase | 59) Screw | 82) Gasket |
| 14) Cylinder | 37) Nut | 60) Tool Plate | 83) Soft Starter |
| 15) Screw | 38) Shock Pad | 61) Screw | 84) Three-way |
| 16) Valve Board | 39) Nut | 62) Bolt | 85) Nylon Pipe |
| 17) Piston Cup | 40) B Fan | 63) Tank | 86) Exhaust Pipe |
| 18) Connecting Rod | 41) Gas-guide Tube | 64) Foot Wheel | 87) Seal cushion |
| 19) Heightening the lining | 42) O-Ring | 65) Wheel shaft | 88) Check Valve |
| 20) Wind Scooper | 43) Air Filter | 66) Flat washer | 89) Lining |
| 21) Screw | 44) Hush Pipe | 67) Foot Pad | 90) Unloading Pipe |
| 22) A Fan | 45) Plug | 68) Bolt | 91) Cutting Sleeve |
| 23) Crank | 46) Capacity | 69) Ball Valve | 92) Nut |



AC12810

- | | | | |
|-----------------------------|-----------------------|---------------------------|------------------------|
| 01) Screw | 23) Screw | 45) Washer | 67) Flexible Joint Nut |
| 02) Flat washer | 24) Left Crankcase | 46) Screw | 68) Gasket |
| 03) Cylinder Head | 25) Screw | 47) Tool Board | 69) Safty Valve |
| 04) Cylinder sealing gasket | 26) Bearing | 48) Bolt | 70) Pressure Switch |
| 05) O-Ring | 27) Motor Rator | 49) Horizontal Two Tank | 71) Capacity |
| 06) Gas-Guide Tube | 28) Nut | 50) Foot Wheel | 72) Screw |
| 07) Limit Range Implement | 29) Motor Staotr | 51) Wheel Shaft | 73) Capacity Cover |
| 08) Valve Block | 30) Cushion | 52) Plug (rubber) | 74) Power Cord Buckle |
| 09) Valve Board | 31) Bolt | 53) Foot Pad | 75) Protector |
| 10) Valve plate clamp | 32) Nut | 54) Washer | 76) Elbow |
| 11) Screw | 33) Power Cord Buckle | 55) Bolt | 77) Lining |
| 12) O-Ring | 34) Right Crankcase | 56) Drain Valve | 78) Nylon Pipe |
| 13) Cylinder | 35) Screw | 57) Bolt | 79) Cutting Sleeve |
| 14) Screw | 36) Bearing | 58) Instrument Panel | 80) Nut |
| 15) Valve Board | 37) Crank | 59) Pressure Gauge | 81) Nylon Pipe |
| 16) Piston Cup | 38) A Fan | 60) Quick Connect | 82) Exhaust Pipe |
| 17) Connecting Rod | 39) Air Filter | 61) Regulator Valve Stand | 83) Check Valve |
| 18) Heightening the lining | 40) Nylon Pipe | 62) Pressure Gauge | |
| 19) Wind Scooper | 41) Power Cord | 63) Screw | |
| 20) Circlip for Shaft | 42) Handle Pull Rod | 64) Nut | |
| 21) B Fan | 43) Nut | 65) Straight connection | |
| 22) Shock Pad | 44) Screw | 66) Flexible Joint | |

2 - TECHNISCHE DATEN

AC4504			AC24016			AC12810		
Stromspannung/-frequenz	V / Hz	230 / 50	Stromspannung/-frequenz	V / Hz	230 / 50	Stromspannung/-frequenz	V / Hz	230 / 50
Nennleistung	kW	0.24	Nennleistung	kW	1.5	Nennleistung	kW	0.75
Max. Betriebsdruck	bar	8	Max. Betriebsdruck	bar	9	Max. Betriebsdruck	bar	9
Zugesicherter Geräuschpegel (Dir. 2000/14/CE)	dB	58	Zugesicherter Geräuschpegel (Dir. 2000/14/CE)	dB	72	Zugesicherter Geräuschpegel (Dir. 2000/14/CE)	dB	65
Motordrehgeschwindigkeit	U/min.	1420	Motordrehgeschwindigkeit	U/min.	1400	Motordrehgeschwindigkeit	U/min.	1420
Tankvolumen	litres	4	Tankvolumen	litres	16	Tankvolumen	litres	10
Leistung (Ansaugung/Abgabe)	l/min	45 / 28	Leistung (Ansaugung/Abgabe)	l/min	240 / 170	Leistung (Ansaugung/Abgabe)	l/min	128/80
Umgebungslufttemperatur/-feuchtigkeit	°C / %	5 - 40 / 5 - 95	Umgebungslufttemperatur/-feuchtigkeit	°C / %	5 - 40 / 5 - 95	Umgebungslufttemperatur/-feuchtigkeit	°C / %	5 - 40 / 5 - 95
Gesamtgewicht	kg	10.5	Gesamtgewicht	kg	42.5	Gesamtgewicht	kg	25.8
Abmessungen (BxLxH)	mm	355x335x300	Abmessungen (BxLxH)	mm	720x510x500	Abmessungen (BxLxH)	mm	540X465X495

3 - CE-KENNZEICHNUNG UND PLAKETTE MIT ZUGESICHERTEM GERÄUSCHPEGEL

Die CE-Kennzeichnung (ABB. 2 - Ref. 1) bescheinigt für die Maschine die Einhaltung der grundlegenden Sicherheits- und Gesundheitsanforderungen der Maschinenrichtlinie 2006/42/CE. Die Plakette (ABB. 2 - Ref. 2) bescheinigt für die Maschine die Einhaltung der grundlegenden Sicherheits- und Gesundheitsanforderungen der Richtlinie 2000/14/CE. Sie besteht aus einer Polyester-Klebeplakette mit durch Thermotransfer geprägter schwarzer Schrift und ist auf dem Maschinenbedienfeld befestigt.

4 - DIE WICHTIGKEIT DER ANLEITUNG



VOR DER VERWENDUNG DIESER MASCHINE MÜSSEN AUTORISIERTE BEDIENER (SIEHE ABSCHNITT 2.2.1) DIESE ANLEITUNG ZUR GÄNZE GELESEN UND VERSTANDEN HABEN.

Diese Anleitung der "Bedienungs- und Wartungsanleitung" wurde entsprechend der Vorgaben der "Maschinenrichtlinie" 2006/42/EC aufbereitet, um autorisiertem Personal, das mit der Bedienung und Wartung dieser Maschine beauftragt ist, eine einfache und korrekte Zusammenfassung der Inhalte zu bieten. Sollte oben erwähntes Personal beim Lesen eine Unstimmigkeit entdecken, benachrichtigen Sie bitte unverzüglich den Hersteller, um die Erläuterungen und weiteren Informationen zu korrigieren und so eine Fehlinterpretation durch Personal zu vermeiden, die eine Gefahr für die Sicherheit darstellen könnte. Diese Anleitung muss autorisierten Bedienern jederzeit zur Verfügung stehen. Daher muss sie jederzeit in der Nähe der Maschine ordentlich geschützt aufbewahrt werden.



DIESE ANLEITUNG STELLT EINEN WESENTLICHEN BESTANDTEIL DER MASCHINE DAR UND MUSS ZU REFERENZZWECKEN JEDERZEIT BIS ZUR ENTSORGUNG DERSELBEN AUFBEWAHRT WERDEN. DIESE ANLEITUNG MUSS JEDERZEIT FÜR DAS VERANTWORTLICHE PERSONAL ZUR VERFÜGBARKEIT STEHEN UND ORDENTLICH GESCHÜTZT IN DER NÄHE DER MASCHINE AUFBEWAHRT WERDEN.

DER HERSTELLER HAFTET NICHT FÜR SCHÄDEN AN PERSONEN, TIEREN UND SACHEN, DIE AUF EINE NICHTBEACHTUNG DER STANDARDS UND DER ANWEISUNGEN IN DIESER ANLEITUNG ZURÜCKZUFÜHREN SIND.



DIESE ANLEITUNG MUSS ZUSAMMEN MIT DER MASCHINE ÜBERGEBEN WERDEN, FALLS DIESE AN EINEN ANDEREN BENUTZER ÜBERGEBEN WIRD.

DIESE ANLEITUNG GIBT DEN AKTUELLEN INFORMATIONENSTAND ZUM ZEITPUNKT DER MASCHINENÜBERGABE WIDER UND KANN NICHT ALS FEHLERHAFT ANGESEHEN WERDEN, WENN DANACH NEUE ERFAHRUNGSWERTE AUFTRETEN, ENTSPRECHEND DERER SIE AKTUALISIERT WERDEN KANN.

FORDERN SIE IM FALLE EINES VERLUSTES ODER DER ABNUTZUNG DIESER ANLEITUNG EINE NEUE KOPIE VOM HERSTELLER ODER EINEM AUTORISIERTEN HÄNDLER UNTER ANGABE DES MASCHINENMODELLS UND DER SERIENNUMMER AUF DEM DECKBLATT AN.

5 - ANWENDER

Diese technische Anleitung ist allein für autorisiertes Personal vorgesehen, das für die Bedienung und Wartung der Maschine im Rahmen der spezifischen technischen und beruflichen Kompetenzen für eben diese Aufgaben ausgebildet ist.

Die folgenden Symbole stehen am Beginn jedes Abschnittes und geben das vom jeweiligen Thema betroffene Personal an.



DAS AUTORISIERTE PERSONAL DARF DIE MASCHINE NUR IM RAHMEN IHRER JEWELIGEN KOMPETENZEN BEDIENEN.

VOR DER DURCHFÜHRUNG JEGLICHER MASSNAHMEN AN DER MASCHINE MUSS AUTORISIERTES PERSONAL SICHERSTELLEN, DASS ALLE IM VOLLBESITZ IHRER KÖRPERLICHEN UND GEISTIGEN KRÄFTE STEHEN, UM JEDERZEIT DIE SICHERHEITSBEDINGUNGEN EINHALTEN ZU KÖNNEN.



VERANTWORTLICHER BEDIENER: Dies ist ein Bediener von mindestens 18 Jahren (Privatnutzer oder Arbeiter), der in Übereinstimmung mit den geltenden gesetzlichen Bestimmungen des Landes zu Sicherheit und Gesundheit am Arbeitsplatz exklusiv das Einschalten, die Bedienung und das Ausschalten der Maschine unter Beachtung der Anweisungen in dieser Anleitung ausführen darf und mit entsprechender Personenschutzkleidung ausgestattet ist.



MECHANIKER / PNEUMATIK-WARTUNGSINGENIEUR: ein geschulter technischer Ingenieur mit der Qualifikation zur exklusiven Ausführung von Maßnahmen an mechanischen / pneumatischen Teilen der Maschine zur Durchführung von Einstellungen, Wartungsarbeiten und/oder Reparaturen selbst bei deaktivierten Schutzmechanismen unter vollständiger Berücksichtigung der Anweisungen aus dieser Anleitung oder allen anderen spezifischen Dokumenten, die exklusiv vom Hersteller diesbezüglich ausgegeben werden und der mit der entsprechenden Personenschutzkleidung ausgestattet ist.



ELEKTRISCHER WARTUNGSTECHNIKER: ein geschulter technischer Ingenieur mit der Qualifikation zur exklusiven Ausführung von Maßnahmen an elektrischen Vorrichtungen zur Durchführung von Einstellungen, Wartungsarbeiten und/oder Reparaturen auch unter Strom und bei deaktivierten Schutzmechanismen unter vollständiger Berücksichtigung der Anweisungen aus dieser Anleitung oder allen anderen spezifischen Dokumenten, die exklusiv vom Hersteller diesbezüglich ausgegeben werden und der mit der entsprechenden Personenschutzkleidung ausgestattet ist.



FIRMENSICHERHEITSMANAGER: ein geschulter technischer Ingenieur, der vom Arbeitgeber ernannt wird (wenn die Maschine in einem Unternehmen verwendet wird), der die Einhaltung der technischen und professionellen Anforderungen der geltenden Vorschriften bezüglich Sicherheit und Gesundheit von Personal am Arbeitsplatz überwacht.



TECHNISCHER INGENIEUR DES HERSTELLERS: ein geschulter technischer Ingenieur des Herstellers und/oder autorisierter Händler, der die benötigte technische Hilfestellung sowie Routineeingriffe und ergänzende Wartungsmaßnahmen und/oder Schritte unternimmt, die nicht in dieser Anleitung beschrieben sind und spezielle Kenntnisse der Maschine erfordern, und der mit der entsprechenden Personenschutzkleidung ausgestattet ist.

6 - STATUS EINER "AUSGESCHALTETEN MASCHINE"



Vor der Durchführung jeglicher Wartungsarbeiten und/oder Einstellungen an der Maschine muss der Tank komplett entleert werden (kein Druck), die Verbindung zur Stromquelle muss getrennt werden und es muss überprüft werden, dass die Maschine wirklich gestoppt ist und nicht unerwartet eingeschaltet werden kann (EIN-AUS-Schalter in Position "AUS (0)" und Stromkabel von Netzanschluss trennen).

7- GARANTIE

- 1) **GARANTIEERKLÄRUNG:** Der Hersteller garantiert gegenüber dem Käufer exklusiv den Austausch, die Reparatur oder anderweitige Maßnahmen an der Maschine, falls Konformitätsfehler auftreten, die eine ordnungsgemäße Verwendung und den Betrieb gefährden würden, falls solche Defekte tatsächlich im Verantwortungsbereich des Herstellers liegen. Der Hersteller behält sich das Recht vor, die beste Lösung zur Wiederherstellung der Ordnungsmäßigkeit der Maschine innerhalb eines vernünftigen Zeitraums zu wählen.
- 2) **KÄUFER:** Der Käufer wird als "Verbraucher" bezeichnet, wenn der Kauf von einer Einzelperson zu Zwecken ausgeführt wird, die nicht zu seinem/ihrer Geschäft oder der beruflichen Aktivität gehört.
Der Käufer wird als "Profi oder Unternehmen" bezeichnet, wenn der Kauf von einer professionellen Person oder einem Unternehmen ausgeführt wird, dessen Handeln zu seinen/ihren Geschäften oder beruflichen Aktivitäten gehört.
- 3) **LAUFZEITEN:** Der Hersteller haftet, wenn Fehler in der Konformität innerhalb der folgenden Zeiträume ab dem Kaufdatum auftreten
24 Monate, wenn der Kauf von einem "Verbraucher", wie unter Punkt 2) beschrieben, durchgeführt wurde;
12 Monate, wenn der Kauf von einem "Profi oder Unternehmen", wie unter Punkt 2) beschrieben, durchgeführt wurde;
- 4) **GÜLTIGKEIT:** Die Garantie ist gültig, wenn der Käufer den Hersteller über den Konformitätsfehler innerhalb von 2 Monaten nach dem Zeitpunkt benachrichtigt, zu dem ein solcher Fehler zum ersten Mal bemerkt wurde. Solch eine Benachrichtigung muss zusammen mit einem gültigen Kaufdokument (Kassenzettel oder Rechnung) übermittelt werden.
- 5) **ABLAUF:** Die Garantie läuft ab, wenn der Käufer die Maschine unsachgemäß und/oder auf einer Art und Weise verwendet, die nicht mit den vom Hersteller bereitgestellten Bedienungs- und Wartungsanweisungen übereinstimmt oder wenn der Konformitätsfehler aufgrund mangelnder Befähigung des Käufers oder per Zufall entstanden ist.
- 6) **VERANTWORTLICHKEIT:** Der Hersteller übernimmt keine Haftung für mögliche Folgeschäden der Käufer, die aus einem Verlust der Produktionsmöglichkeiten oder einer verringerten Produktion aufgrund der Konformitätsfehler entstehen.
- 7) **KOSTEN:** Kosten in Verbindung mit Arbeit und Material, die zur Wiederherstellung der Konformität der Maschine erforderlich sind, gehen zu Lasten des Herstellers. Ausgaben und Lieferbedingungen müssen mit dem autorisierten Händler vereinbart werden.

8 - RECHTSVORBEHALT

Die im Rahmen der "Bedienungs- und Wartungsanweisungen" dieser Anleitung vorbehaltenen Rechte bleiben Eigentum des Herstellers. Kein Teil dieser Anleitung darf ohne schriftliche Genehmigung des Herstellers durch welche Vervielfältigungsmittel auch immer reproduziert oder (gesamt oder teilweise) offengelegt werden. Alle genannten Warenzeichen gehören den jeweiligen Eigentümern.

9 - VERWENDUNGSZWECK

VERWENDUNGSGEBIET	Industrieller, gewerblicher und ziviler Sektor.
VERWENDUNGSORT	Innen- und Außenbereiche (vorausgesetzt es werden keine atmosphärischen Mittel ausgesetzt), die ausreichend beleuchtet und belüftet sind, sowie Werte für Lufttemperatur und -feuchtigkeit aufweisen, die Abschnitt 2 entsprechen und im Rahmen der geltenden Gesetze für Gesundheit und Sicherheit am Arbeitsplatz geeignet sind, an dem eine solche Verwendung stattfinden soll. Die Maschine muss auf einer Oberfläche stehen, die die Stabilität im Hinblick auf ihr Gewicht und die Gesamtabmessungen (siehe Abschnitt 2) sicherstellt. ACHTUNG! DIE MASCHINE IST AUSSERHALB DER REICHWEITE VON KINDERN ZU HALTEN.
BEABSICHTIGTE VERWENDUNG	Kompression von Luft (ohne Öl) zur Verwendung von geeigneten pneumatischen Werkzeugen, die den geltenden Gesetzen entsprechen. (z. B.: Düsen zum Strahlen, Lackieren oder Sandstrahlen; Schrauber, Punktschweißgeräte, Niet- oder Schmiervorrichtungen).
MIT DER VERWENDUNG BEAUFTRAGTE BEDIENER	Ein autorisierter Bediener, der die beruflichen Anforderungen aus Abschnitt 5 erfüllt.

10 - VERWENDUNGSBESCHRÄNKUNGEN

Diese Maschine wurde zur alleinigen Verwendung, wie in Abschnitt 9 beschrieben, entwickelt und produziert und jegliche andere Verwendung oder anderer Betrieb ist ausdrücklich untersagt, um jederzeit die Sicherheit der verantwortlichen Bediener sowie die Effizienz der Maschine selbst sicherstellen zu können.



ES IST STRENGSTENS VERBOTEN DIE MASCHINE IN UMGEBUNGEN MIT POTENZIELL EXPLOSIVER ATMOSPHERE UND/ODER IN GEGENWART VON BRENNBAREN DÄMPFEN IN BETRIEB ZU NEHMEN (Z. B.: HOLZSTÄUBE, MEHLE, ZUCKER UND FUTTERMEHLE).

VERWENDUNGSBESCHRÄNKUNGEN: ES IST STRENGSTENS VERBOTEN DIE MASCHINE ZU UNSACHGEMÄSSEN ZWECKEN ZU VERWENDEN, DIE VOM BEABSICHTIGTEN VERWENDUNGSZWECK (ABSCHNITT 9) ABWEICHEN.

DIE MASCHINE IST AUSSERHALB DER REICHWEITE VON KINDERN ZU HALTEN.

WÄHREND DER VERWENDUNG IST ES UNBEDINGT ERFORDERLICH ZU ÜBERPRÜFEN, DASS KEINE NICHT AUTORISIERTEN PERSONEN IN DIE NÄHE DER MASCHINE GELANGEN.

ES IST STRENGSTENS VERBOTEN, LUFTSCHLÄUCHE (VERLÄNGERUNGEN), ANSCHLÜSSE UND WERKZEUGE ZU VERWENDEN, DIE NICHT GEEIGNET SIND UND/ODER NICHT DEN GELTENDEN VORSCHRIFTEN ENTSPRECHEN.



ES IST STRENGSTENS VERBOTEN, DIE MASCHINE MIT KRANEN UND/ODER GABELSTAPLERN ANZUHEBEN.

ES IST STRENGSTENS VERBOTEN, DRUCKLUFTSTRÖME AUF PERSONEN, TIERE UND ANDERE DINGE ZU RICHTEN.

ES IST STRENGSTENS VERBOTEN, DIE MASCHINE ZUM TRANSPORT UND/ODER ANHEBEN VON PERSONEN, TIEREN UND ANDEREN DINGE ZU VERWENDEN.

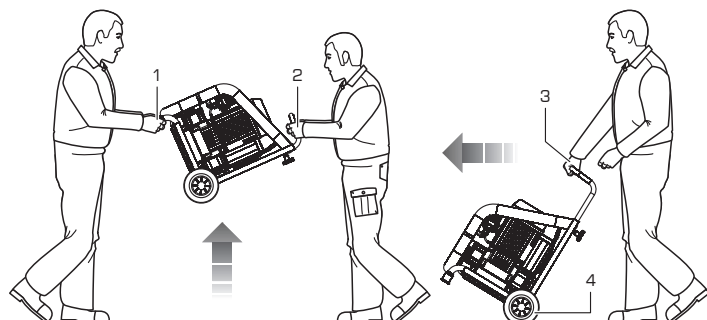
ES IST STRENGSTENS VERBOTEN, AUF DIE MASCHINE ZU STEIGEN.

ES IST STRENGSTENS VERBOTEN, DIE MASCHINE DURCH WELCHE MITTEL UND/ODER FAHRZEUGE AUCH IMMER ZU SCHLEPPEN.

ES IST STRENGSTENS VERBOTEN, DIE MASCHINE MANUELL AUF STEIGUNGEN UND/ODER GEFÄLLEN MIT GEFÄHRLICHEM NEIGUNGSGRAD ZU BEWEGEN.

ES BESTeht DIE GEFAHR VON VERBRENNUNGEN BEI VERSEHENTLICHEM KONTAKT MIT DER DOPPELZYLINDER-PUMPBAUGRUPPE UND DEM ELEKTROMOTOR. ACHTUNG! ES BESTeht IMMER EIN RESTRISIKO (SIEHE ABSCHNITT 21).

Abb. 3



11 - TRANSPORT UND VERSETZEN DER MASCHINE



Die Maschine kann manuell von zwei verantwortlichen Bedienern transportiert werden, indem sie am Stützfuß (ABB. 3 - Ref. 1) und dem Griff (ABB. 3 - Ref. 2) gezogen wird oder manuell von einem verantwortlichen Bediener mit Hilfe des Griffs (ABB. 3 - Ref. 3) und den vorhandenen Rädern (ABB. 3 - Ref. 4) versetzt wird.



DER TRANSPORT DER MASCHINE MUSS UNBEDINGT VON ZWEI VERANTWORTLICHEN BEDIENERN IN ÜBEREINSTIMMUNG MIT DEN VORSCHRIFTEN ZUR "MANUELLEN BEHANDLUNG VON LASTEN" DURCHFÜHRT WERDEN, UM UNGÜNSTIGE ERGONOMISCHE BEDINGUNGEN ZU VERMEIDEN, DIE EIN RISIKO FÜR BANDSCHEIBENLÄSIONEN DARSTELLEN.

12 - VERPACKUNG

Die Maschine wird vom Hersteller in einem Karton mit zwei Griffen verpackt, der einen (1) Trockenkompressor und eine (1) Bedienungs- und Wartungsanleitung beinhaltet.

13 - AUSPACKEN

Wenn die Verpackung auf dem Boden auf einer ebenen Fläche zur Sicherung der Stabilität abgestellt wurde, packen Sie die Maschine aus, indem Sie sie aus der Packung entsprechend der Anweisungen in Abschnitt 12 entnehmen.



ES WIRD EMPFOHLEN, DIE VERPACKUNG ENTSPRECHEND DER UNTERSCHIEDLICHEN MATERIALTYPEN UNTER BEACHTUNG GELTENDER GESETZE DES LANDES DER VERWENDUNG ZU ENTSORGEN.

14- AUFSTELLEN



Die Maschine muss an einem Arbeitsplatz verwendet werden, der über die in Abschnitt 2 beschriebenen Vorgaben verfügt, und auf ebenem Boden mit ausreichend Stabilität entsprechend der Gesamtabmessungen und dem Gewicht (Abschnitt 2) aufgestellt werden.



DAMIT AUTORISIERTE BEDIENER AN SICHEREN ORTEN ARBEITEN KÖNNEN, WIRD EMPFOHLEN, EINEN MINDESTABSTAND (1 m) VON ANDEREN OBJEKTEN UND/ODER HINDERNISSEN EINZUHALTEN.

15 - LAGERUNG



Wenn die Maschine für längere Zeit nicht verwendet wird, ist es erforderlich diese an einem sicheren Ort zu lagern, der die richtige Temperatur und Luftfeuchtigkeit aufweist und an dem die Maschine vor Staub geschützt ist.

Vor dem Einlagern der Maschine wird empfohlen, das Kondensat aus dem Lufttank abzulassen.

16 - ELEKTRISCHER ANSCHLUSS



Die Maschine kann durch Einstecken des Netzstromsteckers in eine entsprechende Steckdose mit dem Stromnetz verbunden werden.

DAS NETZ, MIT DEM DIESE MASCHINE VERBUNDEN WIRD, MUSS DEN ANFORDERUNGEN DER GELTENDEN GESETZLICHEN BESTIMMUNGEN DES LANDES, IN DEM DIE MASCHINE VERWENDET WIRD, SOWIE DIE IN ABSCHNITT 2 ANGEgebenEN TECHNISCHEN KENNWERTE ERFÜLLEN UND ZUDEM MIT EINER ORDNUNGSGEMÄSSEN ERDUNGSVORRICHTUNG VERSEHEN SEIN.



JEDLICHES ZUR HERSTELLUNG DER ELEKTRISCHEN VERBINDUNG VERWENDETE MATERIAL MUSS FÜR DIE VERWENDUNG GEEIGNET SEIN, EINE "CE"-KENNZEICHNUNG TRAGEN, WENN ES DER NIEDERSPANNUNGSRICHTLINIE 2006/95/EC ENTSpricht, UND DEN ANFORDERUNGEN DER GELTENDEN GESETZE IN DEM LAND ENTSPRECHEN, IN DEM DIE MASCHINE VERWENDET WERDEN SOLL.



DIE NICHTEINHALTUNG DER OBEN BESCHRIEBENEN WARNUNGEN KANN ZU IRREPARABLEN SCHÄDEN AN DEN ELEKTRISCHEN VORRICHTUNGEN DER MASCHINE FÜHREN UND SOMIT DIE GARANTIE UNGÜLTIG WERDEN LASSEN.

DIE HERSTELLER LEHNEN JEDLICHE HAFTUNG FÜR FEHLER ODER FEHLFUNKTIONEN DER MASCHINE AUFGRUND VON PLÖTZLICHEN SPANNUNGSÄNDERUNGEN AB, DIE AUSSERHALB DER VORGEGEHENEN GRENZWERTE DER NETZVERSORGER LIEGEN (SPANNUNG $\pm 10\%$ - FREQUENZ $\pm 2\%$).

SOLLTE ES ERFORDERLICH SEIN, MUSS DIE MASCHINE ALLEIN AN GENERATOREN MIT EINER LEISTUNG GRÖßER ALS DIE INSTALLIERTE ELEKTRISCHE LEISTUNG (SIEHE ABSCHNITT 2) ANGESCHLOSSEN WERDEN, UM DIE ABSORPTIONSSPITZE BEIM START ZU UNTERSTÜTZEN.

17 - ANSCHLUSS DES LUFTSCHLAUCHES (VERLÄNGERUNG) UND VON WERKZEUGEN



- 1) Schließen Sie das Werkzeug am Luftschauch (Verlängerung) an;
- 2) Verbinden Sie den Luftschauch (Verlängerung) mit der Kupplung der Maschine (ABB. 1 - Ref. 14).

ES IST STRENGSTENS VERBOTEN, LUFTSCHLÄUCHE (VERLÄNGERUNGEN), ANSCHLÜSSE UND WERKZEUGE ZU VERWENDEN, DIE NICHT GEEIGNET SIND UND/ODER NICHT DEN GELTENDEN VORSCHRIFTEN ENTSPRECHEN.



ES IST ERFORDERLICH, LUFTSCHLÄUCHE (VERLÄNGERUNGEN), ANSCHLÜSSE UND WERKZEUGE ZU VERWENDEN, DIE DEN BESTIMMUNGEN IN DEN BEDIENUNGS- UND WARTUNGSANWEISUNGEN ENTSPRECHEN, WELCHE VON DEN JEWELIGEN HERSTELLERN AUSGEgeben WURDEN.

DER HERSTELLER LEHNT JEDLICHE HAFTUNG FÜR SCHÄDEN VON PERSONEN, TIEREN UND ANDEREN DINGEN AUFGRUND DER NICHTEINHALTUNG DER OBEN BESCHRIEBENEN WARNUNGEN AB.

18- VORHANDENE SICHERHEITSVORRICHTUNGEN

- 1) SICHERHEITSVENTIL (ABB. 1 - Ref. 4): Dies ist ein zertifiziertes Sicherheitsventil (kalibriert auf 10,5 bar), das an der Pneumatikvorrichtung unter dem Druckschalter installiert ist. Es wird zum Ablassen des Überdrucks der Anlage verwendet, wenn der Druckschalter aufgrund möglicher Fehlfunktionen nicht funktioniert. Das Auslösen des Sicherheitsventils verpflichtet den Bediener dazu, die Maschine auszuschalten und die erforderlichen Maßnahmen durch die Wartungstechniker einzuleiten.
- 2) DRUCKSCHALTER (ABB. 1 - Ref. 8): Ein elektronisch-pneumatischer Schalter (kalibriert auf min. 7 bar und max. 10 bar), der an der Pneumatikvorrichtung installiert ist. Er wird verwendet, um den automatischen Start der Maschine auszulösen, wenn der Betriebsdruck unter 7 bar fällt sowie den automatischen Stopp, wenn der Betriebsdruck 10 bar erreicht.
- 3) FESTES SCHUTZGITTER FÜR KÜHLGEBLÄSE (ABB. 1 - Ref. 17): Eine feste Schutzvorrichtung als Gitter aus Plastik, die mit Schrauben an der Basis der Doppelzylinder-Pumpbaugruppe befestigt ist. Es wird verwendet, um einen versehentlichen Kontakt mit dem sich bewegenden Kühllüfter zu verhindern.
- 4) RÜCKSETZBARER WÄRMESCHUTZSCHALTER (ABB. 1 - Ref. 12): Ein Wärmeschutz, der an der elektrischen Anlage installiert ist und den Elektromotor im Falle einer Spannungsüberlastung und/oder einem Kurzschluss stoppt. Ein Rücksetzen kann durchgeführt werden, indem der entsprechende Knopf gedrückt wird (siehe ABB. 7 - Ref. 1).
- 5) TANKDRUCKMESSER (ABB. 1 - Ref. 6): Eine Messvorrichtung am Maschinentank. Sie zeigt die Druckluft innerhalb des Tanks an.
- 6) MANOMETER AM AUSGANG (ABB. 1 - Ref. 7): Eine Messvorrichtung am Pneumatikauslass der Maschine vor der Kupplung. Sie zeigt den Auslassdruck an, der über den entsprechenden Druckregler (0 - 10 bar) eingestellt werden kann (ABB. 1 - Ref. 13).

ES IST STRENGSTENS UNTERSAGT, EINE BESTEHENDE SICHERHEITSVORRICHTUNG DER MASCHINE ZU VERÄNDERN, ZU TRENNEN UND/ODER ZU ENTFERNEN.



ES IST STRENGSTENS VERBOTEN, EINE SICHERHEITSVORRICHTUNG ODER EINE KOMPONENTE DURCH TEILE ZU ERSETZEN, DIE KEINE ORIGINAL-ERSATZTEILE SIND.

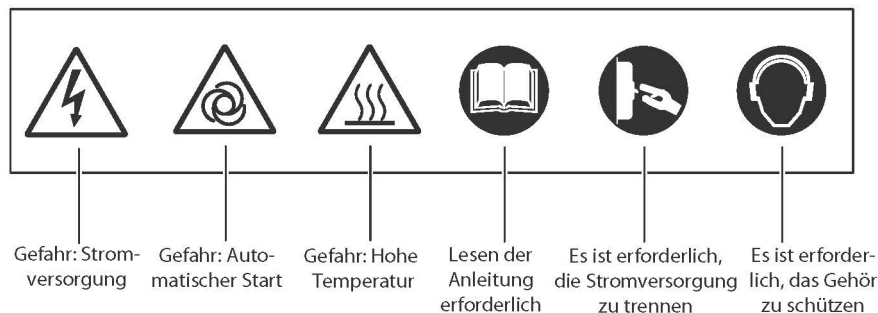
ES IST ERFORDERLICH, STÄNDIG DEN KORREKTEN BETRIEB ALLER AN DER MASCHINE INSTALLIERTEN SICHERHEITSVORRICHTUNGEN ZU ÜBERPRÜFEN.

ES IST ERFORDERLICH, JEDLICHE NICHT FUNKTIONIERENDE UND/ODER BESCHÄDIGTE SICHERHEITSVORRICHTUNG UNVERZÜGLICH AUSZUTAUSCHEN.

19 - SICHERHEITSKENNZEICHNUNG

Die verwendete Sicherheitskennzeichnung befindet sich auf einem Klebeschild an der Außenseite der Maschine (ABB. 4).

Bedeutung der Kennzeichen:



ES IST ERFORDERLICH, DIE SICHERHEITSKENNZEICHEN SAUBER ZU HALTEN, DAMIT DIESE GUT ERKENNBAR BLEIBEN.

ES IST ABSOLUT VERBOTEN, DIE FÜR DIE MASCHINE GELTENDEN SICHERHEITSKENNZEICHEN ZU ENTFERNEN UND/ODER ZU BESCHÄDIGEN.

ES IST ERFORDERLICH, ABGENUTZTE SICHERHEITSKENNZEICHEN DURCH ANFORDERUNG BEIM HERSTELLER UND/ODER AUTORISIERTEN HÄNDLER ZU ERSETZEN.

20 - PERSONENSCHUTZKLEIDUNG



AUTORISIERTE BEDIENER DÜRFEN KEINE KLEIDUNG ODER ACCESSOIRES TRAGEN, DIE SICH IN DER MASCHINE VERFANGEN KÖNNEN.

ES IST ERFORDERLICH, DIE VOM HERSTELLER VORGESEHENE PERSONENSCHUTZKLEIDUNG ZU TRAGEN.

AUTORISIERTE BEDIENER MÜSSEN UNBEDINGT DIE VON DEN HERSTELLERN DER VERWENDETEN WERKZEUGE UND DIE FÜR DEN VERARBEITUNGSTYP VORGESEHENE KLEIDUNG TRAGEN.

ZEICHEN	PPE ERFORDERLICH	VERWENDUNGSART
	• Handschutz (Wärmeschutzhandschuhe)	Falls eine Durchführung von Wartungsmaßnahmen erforderlich ist, ohne dass abgewartet werden kann, bis der Elektromotor und das Doppelzylinder-Pumpelement abkühlen können.
	• Gehörschutz (Ohrschützer)	Während aller Verarbeitungsphasen.
	• Fußschutz (Arbeitsschuhe mit Stahlkappe)	Während des Maschinentransports.

21 - RESTRISIKEN

Autorisierte Bediener müssen sich bewusst sein, dass trotz Anwendung aller möglichen technischen Vorkehrungen zur Herstellung der Maschinensicherheit durch den Hersteller ein mögliches Restrisiko verbleibt.

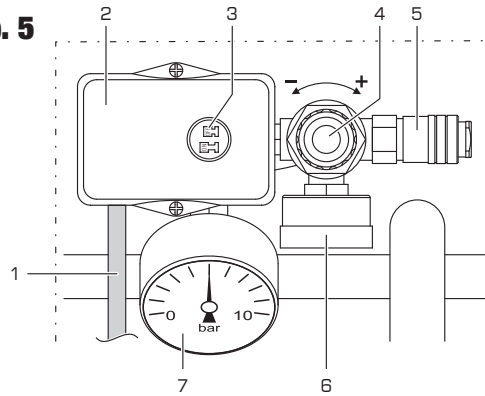
RESTRISIKO	Gefahr von Verbrennungen bei versehentlichem Kontakt mit der Doppelzylinder-Pumpbaugruppe und dem Elektromotor.
AUSSETZUNGSHÄUFIGKEIT	Gering und zufällig. Es kann eine Gefährdung eintreten, wenn der Bediener freiwillig eine falsche Handlung vollzieht, die verboten und nicht vernünftigerweise vorhersehbar ist.
SCHADENRELEVANZ	Leichte Läsionen (normalerweise reversibel).
GEGENMASSNAHMEN	Sicherheitsschilder (siehe Abschnitt 19). / Verpflichtung zur Verwendung der Personenschutzkleidung (siehe Abschnitt 20) und/oder Abwarten, bis die Maschine abgekühlt ist.

22 - STEUERVORRICHTUNGEN

Diese sind in ABB. 5 aufgeführt.

- 1) Stromanschlusskabel
- 2) Druckschalter
- 3) "EIN-AUS"-Schalter
- 4) Druckregler an Ausgang
- 5) Kupplung
- 6) Manometer an Ausgang
- 7) Tankdruckmesser

Abb. 5



23 - PRÜFUNGEN VOR DEM EINSCHALTEN



VOR DEM EINSCHALTEN DER MASCHINE MÜSSEN AUTORISIERTE BEDIENER UNBEDINGT DIE FOLGENDEN PRÜFUNGEN DURCHFÜHREN.

- 1) Stellen Sie sicher, dass sich keine nicht autorisierte Person nahe bei der Maschine befindet.
- 2) Stellen Sie sicher, dass die Sicherheitsvorrichtungen integriert sind und ordnungsgemäß funktionieren (siehe Abschnitt 18).
- 3) Stellen Sie sicher, dass die Maschine ordnungsgemäß aufgestellt ist (siehe Abschnitt 14).
- 4) Stellen Sie sicher, dass der "EIN-AUS"-Schalter in der Position "AUS (0)" steht (siehe Abschnitt 22).
- 5) Stellen Sie sicher, dass das Kondensatablassventil geschlossen ist (ABB. 1 - Ref. 5).
- 6) Tragen Sie die erforderliche Personenschutzkleidung (siehe Abschnitt 20).
- 7) Stellen Sie sicher, dass Sie die "Bedienungs- und Wartungsanweisungen" zur Gänze gelesen und verstanden haben.

24 - EINSCHALTEN DER MASCHINE

AUTORISIERTE BEDIENER DÜRFEN DIE MASCHINE NUR EINSCHALTEN, NACHDEM SIE DIE ERFORDERLICHEN PRÜFUNGEN AUS ABSCHNITT 23 DURCHFÜHRT HABEN.

VOR DER VERWENDUNG DIESER MASCHINE MÜSSEN AUTORISIERTE BEDIENER DIESE ANLEITUNG ZUR GÄNZE GELESEN UND VERSTANDEN HABEN.

WÄHREND DER VERWENDUNG IST ES UNBEDINGT ERFORDERLICH ZU ÜBERPRÜFEN, DASS KEINE NICHT AUTORISIERTEN PERSONEN IN DIE NÄHE DER MASCHINE GELANGEN.



AUTORISIERTE BEDIENER DÜRFEN DIE MASCHINE WÄHREND DES BETRIEBS UND BEI WARTUNGSMASSNAHMEN NICHT UNBEAUFICHTIGT LASSEN.

ES BESTEHT DIE GEFAHR VON VERBENNUNGEN BEI VERSEHENTLICHEM KONTAKT MIT DER DOPPELZYLINDER-PUMPBAUGRUPPE UND DEM ELEKTROMOTOR. ACHTUNG! ES BESTEHT IMMER EIN RESTRISIKO (SIEHE ABSCHNITT 21).

DER HERSTELLER LEHNT JEGLICHE HAFTUNG FÜR SCHÄDEN VON PERSONEN, TIEREN UND ANDEREN DINGEN AUFGRUND DER NICHT-EINHALTUNG DER IN DIESER ANLEITUNG BESCHRIEBENEN WARNUNGEN AB.

DER HERSTELLER LEHNT JEGLICHE HAFTUNG FÜR DAS LETZTENDLICHE ERGEBNIS DER VERARBEITUNG AB, DA DIES ALLEIN VOM VERWENDETEN WERKZEUGTYP UND DEN PROFESSIONELLEN FÄHIGKEITEN DER AUTORISIERTEN BEDIENER ABHÄNGT.



- 1) Schließen Sie die Maschine durch Einstecken des Netzstromsteckers (ABB. 5 - Ref. 1) in eine entsprechende Steckdose an das Stromnetz an;
- 2) Schalten Sie die Maschine ein, indem Sie den "EIN-AUS"-Schalter (ABB. 5 - Ref. 3) in die Position "EIN (I)" schalten (die Maschine arbeitet, bis der maximale Betriebsdruck von 10 bar erreicht ist und stoppt dann automatisch);
- 3) Stellen Sie den Druck am Ausgang mit Hilfe des Druckminderers (ABB. 5 - Ref. 4) entsprechend des verwendeten Werkzeugs und der Verarbeitungsart ein. Überprüfen Sie den Druck am entsprechenden Druckmesser (ABB. 5 - Ref. 6);



ES IST VERBOTEN, DEN DRUCKMINDERER AM AUSGANG (ABB. 8 - REF. 3) ÜBER DEN ANSCHLAG HINAUS ZU DREHEN, UM EINE BESCHÄDIGUNG DER MEMBRANE ZU VERMEIDEN.

- 4) Schließen Sie das Werkzeug am Luftschauch (Verlängerung) an;
- 5) Verbinden Sie den Luftschauch (Verlängerung) mit der Kupplung der Maschine (ABB. 5 - Ref. 5);



ES IST STRENGSTENS VERBOTEN, LUFTSCHLÄUCHE (VERLÄNGERUNGEN), ANSCHLÜSSE UND WERKZEUGE ZU VERWENDEN, DIE NICHT GEEIGNET SIND UND/ODER NICHT DEN GELTENDEN VORSCHRIFTEN ENTSPRECHEN.

ES IST ERFORDERLICH, LUFTSCHLÄUCHE (VERLÄNGERUNGEN), ANSCHLÜSSE UND WERKZEUGE ZU VERWENDEN, DIE DEN BESTIMMUNGEN IN DEN BEDIENUNGS- UND WARTUNGSANWEISUNGEN ENTSPRECHEN, WELCHE VON DEN JEWEILIGEN HERSTELLERN AUSGEGEBEN WURDEN.

- 6) Führen Sie die Verarbeitung durch (die Maschine startet automatisch wieder, wenn der Betriebsdruck unter 7 bar fällt);
- 7) Sobald die Verarbeitung beendet ist, schalten Sie die Maschine aus wie in Abschnitt 25 beschrieben.

25 - AUSSCHALTEN DER MASCHINE

Am Ende des Arbeitsvorgangs schalten Sie die Maschine wie folgt aus:



- 1) Schalten Sie die Maschine aus, indem Sie den "EIN-AUS"-Schalter (ABB. 5 - Ref. 3) in die Position "AUS (0)" drücken;
- 2) Trennen Sie die Maschine vom Stromnetz, indem Sie den Netzstromstecker (ABB. 5 - Ref. 1) aus der Steckdose ziehen;
- 3) Trennen Sie das Werkzeug vom Luftschauch (Verlängerung);
- 4) Trennen Sie den Luftschauch (Verlängerung) von der Kupplung (ABB. 5 - Ref. 5) der Maschine;
- 5) Lassen Sie das Kondensat aus dem Tank, falls der Arbeitszyklus komplett beendet ist (ABB. 1 - Ref. 5).

26 - ZURÜCKSETZEN DES WÄRMESCHUTZSCHALTERS



Sollte eine Spannungsüberladung und/oder ein Kurzschluss in der Elektronik der Maschine auftreten, stoppt der rücksetzbare Wärmeschutzschalter den Elektromotor. Um diesen zurückzusetzen, gehen Sie wie folgt vor:

- 1) Drücken Sie den "EIN-AUS"-Schalter (ABB. 5 - Ref. 3) in die Position "AUS (0)";
- 2) Drücken Sie den rücksetzbaren Wärmeschutzschalter (ABB. 7 - Ref. 1);
- 3) Warten Sie einige Minuten, bevor Sie die Maschine neu starten.



SOLLTE SICH DIE MASCHINE AUCH NACH DURCHFÜHREN DER RÜCKSETZUNG NICHT STARTEN LASSEN, MUSS DER VERANTWORTLICHE BEDIENER UNBEDINGT EINE UNTERSUCHUNG DURCH DIE WARTUNGSTECHNIKER UND/DER DEN AUTORISIERTEN HÄNDLER VERANLASSEN.

27 - NOTSTOPP



Das Ausschalten der Maschine kann durchgeführt werden, indem Sie den "EIN-AUS"-Schalter (ABB. 5 - Ref. 3) in die Position "AUS (0)" drücken. Um Situationen einer unmittelbar bevorstehenden oder nahenden Gefahr zu vermeiden, müssen autorisierte Bediener unbedingt die folgenden Schritte einhalten:

- 1) DRÜCKEN SIE DEN "EIN-AUS"-SCHALTER (ABB. 5 - Ref. 3) RECHTZEITIG IN DIE POSITION "AUS (0)";
- 2) INFORMIEREN SIE UNVERZÜGLICH DEN "SICHERHEITSMANAGER" ÜBER DEN NOTFALL (FALLS DIE MASCHINE IN EINEM UNTERNEHMEN VERWENDET WIRD).

28 - EINSCHALTEN NACH EINEM NOTSTOPP



Schalten Sie die Maschine nur nach kompletter Beseitigung der Notfallursachen und sorgfältiger Prüfung, dass keine Fehler und/oder Anomalien in der Maschine auftreten, sowie unter Zustimmung des "Sicherheitsmanagers" (falls die Maschine in einem Unternehmen verwendet wird) wieder ein, wie in Abschnitt 24 beschrieben.

29 - ROUTINEWARTUNG



Darin enthalten sind alle Aktivitäten, die zur Aufrechterhaltung eines ordnungsgemäßen Gebrauchs- und Betriebszustands der Maschine vom autorisierten Wartungstechniker in der entsprechenden Häufigkeit durchzuführen sind und unterschiedliche Maßnahmen (Einstellungen, Sichtprüfungen, Reinigung von Luftfiltern, usw.) beinhalten.



AUTORISIERTE BEDIENER DÜRFEN AUSSCHLIESSLICH DIE MASSNAHMEN IN IHREM JEWEILIGEN KOMPETENZBEREICH (SIEHE ABSCHNITT 5) UNTER ZUSTIMMUNG DURCH DEN SICHERHEITSMANAGER DES UNTERNEHMENS (FALLS DIE MASCHINE IN EINEM UNTERNEHMEN VERWENDET WIRD) DURCHFÜHREN.

AUTORISIERTE BEDIENER DÜRFEN DIE MASCHINE WÄHREND DES BETRIEBS UND BEI WARTUNGSMASSNAHMEN NICHT UNBEAUFICHTIGT LASSEN.

ROUTINEWARTUNGSTABELLE

HÄUFIGKEIT	EINGRIFFSPUNKT	MASSNAHME
	Täglich	Sicherheitsvorrichtungen
	Netzstromkabel und -stecker	Stellen Sie sicher, dass diese integriert, ordnungsgemäß installiert sind und funktionieren.
	Tank	Sicherprüfung des Zustands auf Abnutzung.
	Räder	Lehnen Sie zum Abschluss jedes Arbeitszyklus die Maschine auf den Boden und lassen Sie das Kondensat aus dem Tank ab, indem Sie das Kondensatventil (ABB. 1 - Ref. 5) öffnen.
	Nr. 2 Luftfilter	Reifendruckkontrolle. Bei Bedarf mit Druckluft auf bis zu max. 2,5 bar auffüllen. Drehen Sie die Schrauben heraus (ABB. 6 - Ref. 1); Entfernen Sie die Abdeckung (ABB. 6 - Ref. 2); Nehmen Sie den Filter (ABB. 6 - Ref. 3) heraus und reinigen Sie ihn mit Wasser; Setzen Sie die Abdeckung wieder richtig auf. N.B.: TAUSCHEN SIE DEN FILTER IM FALLE VON ABNUTZUNG AUS.

30 - ERGÄNZENDE WARTUNG



Darin enthalten sind alle Aktivitäten, die zur Aufrechterhaltung eines ordnungsgemäßen Gebrauchs- und Betriebszustands der Maschine ausschließlich von Technikern des Herstellers in der entsprechenden Häufigkeit durchzuführen sind und unterschiedliche Maßnahmen (Einstellungen, Austausch von Teilen, usw.) beinhalten.



FÜR JEDLICHE ZUSÄTZLICHE WARTUNGSMASSNAHME IST ES ERFORDERLICH, DIE TECHNISCHE HILFESTELLUNG DES HERSTELLERS ODER AUTORISIERTEN HÄNDLERS IN ANSPRUCH ZU NEHMEN.

31 - ABBAU



Wenn die Maschine abgebaut werden soll, müssen Sie unbedingt die geltenden Vorschriften beachten. Trennen Sie die Teile und entsorgen Sie diese entsprechend der unterschiedlichen Konstruktionsmaterialien (Plastik, Kupfer, Eisen, usw.).

32 - ERSATZTEILE



ORIGINALERSATZTEILE FÜR EINEN MÖGLICHEN AUSTAUSCH SIND EXKLUSIV VOM HERSTELLER ODER DEM AUTORISIERTEN HÄNDLER ERHÄLTlich.

ES IST STRENGSTENS VERBODEN EINE KOMPONENTE DER MASCHINE DURCH TEILE ZU ERSETZEN, DIE KEINE ORIGINAL-ERSATZTEILE SIND.

33 - PROBLEMLÖSUNG



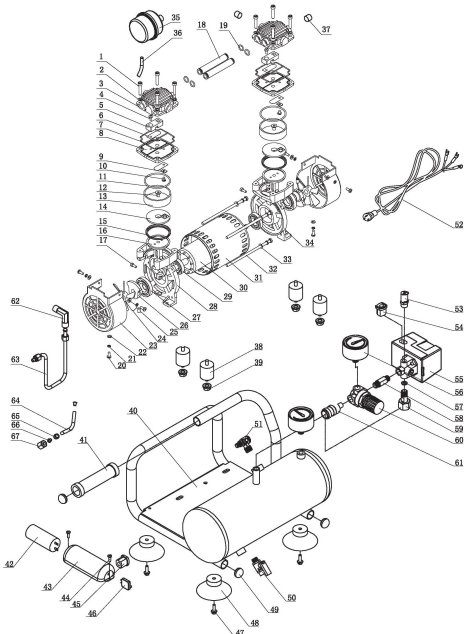
Die folgende Tabelle zeigt eine Reihe von Situationen auf, die bei der Verwendung der Maschine auftreten können.



AUTORISIERTE BETRIEBER DÜRFEN AUSSCHLIESSLICH DIE MASSNAHMEN IN IHREM JEWEILIGEN KOMPETENZBEREICH (SIEHE ABSCHNITT 6) UNTER ZUSTIMMUNG DURCH DEN SICHERHEITSMANAGER DES UNTERNEHMENS (FALLS DIE MASCHINE IN EINEM UNTERNEHMEN VERWENDET WIRD) DURCHFÜHREN.

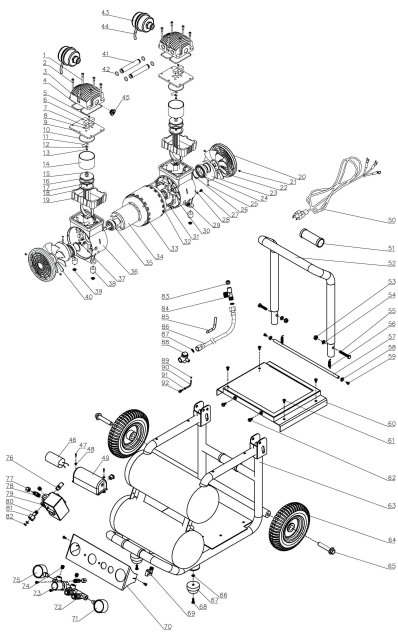
PROBLEM	URSACHE	GEGENMASSNAHME
Die Maschine lässt sich nicht einschalten oder stoppt und startet nicht neu.	Mangelnde Stromversorgung	<ol style="list-style-type: none"> 1) Stellen Sie sicher, dass sich der "EIN-AUS"-Schalter in der Position "EIN (I)" befindet; 2) Überprüfen Sie, ob der Stecker des Netzstromkabels ordnungsgemäß funktioniert und in eine geeignete Netzsteckdose eingesteckt ist; 3) Prüfen Sie, ob möglicherweise Verlängerungen verwendet wurden und die Netzsteckdose nicht funktioniert; 4) Prüfen Sie, ob der Hauptschalter funktioniert und sich in der Position "EIN (I)" befindet.
	Auslösen des rücksetzbaren Wärmeschutzschalters aufgrund von Spannungsoberladung und/oder Kurzschluss	Befolgen Sie die Anweisungen in Abschnitt 26
Die Maschine startet häufig, ohne dass das Werkzeug verwendet wird.	Lecks am Luftschlauch, Werkzeug oder in der Pneumatikvorrichtung.	<ol style="list-style-type: none"> 1) Überprüfen Sie, ob die Pneumatikvorrichtung nicht beschädigt wurde; 2) Überprüfen Sie die Unbeschadetheit und die Verbindungen von Luftschlauch und Werkzeug.
Es kommt keine Luft aus dem Werkzeug	Der Tank steht nicht unter Druck	Schalten Sie die Maschine ein und warten Sie, bis der Tank geladen ist, indem Sie den Druck am entsprechenden Druckmesser überprüfen.
	Falsche Einstellung des Auslassdrucks	Überprüfen Sie, ob der am Druckmesser am Ausgang angezeigte Wert größer als 0 (null) bar ist.
	Das Werkzeug ist beschädigt	Überprüfen Sie die Unbeschadetheit und Effizienz des Werkzeugs
Druckabfall im Lufttank	Lecks am Luftschlauch, Werkzeug oder in der Pneumatikvorrichtung.	<ol style="list-style-type: none"> 1) Überprüfen Sie die Unbeschadetheit der Pneumatikvorrichtung 2) Überprüfen Sie die Unbeschadetheit von Luftschlauch und Werkzeug. 3) Überprüfen Sie, ob die Verbindungen Maschine/Luftschlauch und Luftschlauch/Werkzeug richtig hergestellt sind. 4) Stellen Sie sicher, dass das Kondensatablassventil richtig geschlossen ist.
Auslösen des Sicherheitsventils	Druckschalter fehlerhaft	Rufen Sie einen autorisierten Händler
Luftlecks am Ventil des Druckschalters bei gestoppter Maschine	Überprüfen Sie das Ventil auf Verschmutzungen oder Abnutzungen.	
Die Maschine vibriert und/oder ist sehr laut.	Mechanischer Fehler	
Häufige Starts und geringer Ertrag	Die Luftfilter sind verschmutzt	Reinigen Sie die Filter (siehe Abschnitt 29).

1- BENAMING VAN DE COMPONENTEN



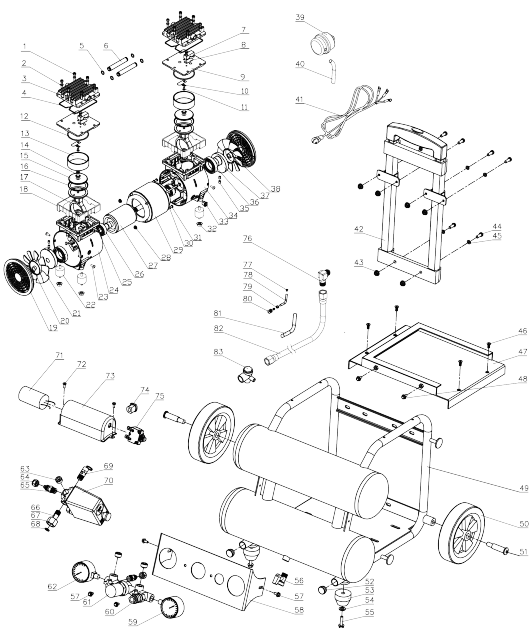
AC4504

- | | | | |
|---------------------------|---------------------|-----------------------|-----------------------|
| 01) Screw | 18) Gas-guide Tube | 35) Air Filter | 52) Power Cord |
| 02) Cushion | 19) O-ring | 36) Hush Pipe | 53) Safty Valve |
| 03) Cylinder Head | 20) Screw | 37) Choke plug | 54) Power Cord Buckle |
| 04) Screw | 21) Cushion | 38) Shock Pad | 55) Pressure Switch |
| 05) Limit Range Implement | 22) Flat washer | 39) Nut | 56) Pressure Gauge |
| 06) Valve Block | 23) Wind Scooper | 40) Horizontal Tank | 57) Gasket |
| 07) Seal | 24) Fan | 41) Handle Sleeve | 58) Double Joint |
| 08) Valve Board | 25) Screw | 42) Capacity | 59) Flexible Joint |
| 09) Valve plate clamp | 26) Crank | 43) Capacity Cover | 60) Regulator Valve |
| 10) Screw | 27) Bearing | 44) Screw | 61) Quick Connect |
| 11) O-Ring | 28) Left Crankcase | 45) Power Cord Buckle | 62) Elbow |
| 12) Screw | 29) Bearing | 46) Protector | 63) Exhaust Pipe(AI) |
| 13) Cylinder | 30) Motor Rator | 47) Scew | 64) Unloading Pipe |
| 14) Valve Board | 31) Motor Staotr | 48) Foot Pad | 65) Cutting Sleeve |
| 15) Piston Cup | 32) Bolt | 49) Apertural Plug | 66) Lining |
| 16) Connecting Rod | 33) Flat washer | 50) Ball Valve | 67) Nut |
| 17) Screw | 34) Right Crankcase | 51) Check Valve | |



AC24016

- | | | | |
|----------------------------|--|----------------------|------------------------|
| 01) Screw | 24) Bearing | 47) Screw | 70) Instrument panel |
| 02) Cushion | 25) Screw | 48) Flat washer | 71) Pressure Gauge |
| 03) Cylinder Head | 26) circlip for shaft | 49) Capacity Cover | 72) Quick Connect |
| 04) Seal | 27) Screw | 50) Power Cord | 73) Regulator Valve |
| 05) Screw | 28) Serrated Lock Washers Internal Teeth | 51) Handle Sleeve | 74) Screw |
| 06) Limit Range Implement | 29) Power Cord Buckle | 52) Handle | 75) Pressure Gauge |
| 07) Valve Block | 30) Right Crankcase | 53) Nut | 76) Safty Valve |
| 08) Valve Block | 31) Cushion | 54) Flat washer | 77) Nut |
| 09) Valve Board | 32) Bolt | 55) Bolt | 78) straight joint |
| 10) O-Ring | 33) Motor Staotr | 56) Extension Spring | 79) Pressure Switch |
| 11) Valve Block | 34) Motor Rator | 57) Hand Rod | 80) Flexible Joint |
| 12) Valve plate clamp | 35) Bearing | 58) Flat washer | 81) Flexible Joint Nut |
| 13) Screw | 36) Left Crankcase | 59) Screw | 82) Gasket |
| 14) Cylinder | 37) Nut | 60) Tool Plate | 83) Soft Starter |
| 15) Screw | 38) Shock Pad | 61) Screw | 84) Three-way |
| 16) Valve Board | 39) Nut | 62) Bolt | 85) Nylon Pipe |
| 17) Piston Cup | 40) B Fan | 63) Tank | 86) Exhaust Pipe |
| 18) Connecting Rod | 41) Gas-guide Tube | 64) Foot Wheel | 87) Seal cushion |
| 19) Heightening the lining | 42) O-Ring | 65) Wheel shaft | 88) Check Valve |
| 20) Wind Scooper | 43) Air Filter | 66) Flat washer | 89) Lining |
| 21) Screw | 44) Hush Pipe | 67) Foot Pad | 90) Unloading Pipe |
| 22) A Fan | 45) Plug | 68) Bolt | 91) Cutting Sleeve |
| 23) Crank | 46) Capacity | 69) Ball Valve | 92) Nut |



AC12810

- | | | | |
|-----------------------------|-----------------------|---------------------------|------------------------|
| 01) Screw | 23) Screw | 45) Washer | 67) Flexible Joint Nut |
| 02) Flat washer | 24) Left Crankcase | 46) Screw | 68) Gasket |
| 03) Cylinder Head | 25) Screw | 47) Tool Board | 69) Safty Valve |
| 04) Cylinder sealing gasket | 26) Bearing | 48) Bolt | 70) Pressure Switch |
| 05) O-Ring | 27) Motor Rator | 49) Horizontal Two Tank | 71) Capacity |
| 06) Gas-Guide Tube | 28) Nut | 50) Foot Wheel | 72) Screw |
| 07) Limit Range Implement | 29) Motor Staotr | 51) Wheel Shaft | 73) Capacity Cover |
| 08) Valve Block | 30) Cushion | 52) Plug (rubber) | 74) Power Cord Buckle |
| 09) Valve Board | 31) Bolt | 53) Foot Pad | 75) Protector |
| 10) Valve plate clamp | 32) Nut | 54) Washer | 76) Elbow |
| 11) Screw | 33) Power Cord Buckle | 55) Bolt | 77) Lining |
| 12) O-Ring | 34) Right Crankcase | 56) Drain Valve | 78) Nylon Pipe |
| 13) Cylinder | 35) Screw | 57) Bolt | 79) Cutting Sleeve |
| 14) Screw | 36) Bearing | 58) Instrument Panel | 80) Nut |
| 15) Valve Board | 37) Crank | 59) Pressure Gauge | 81) Nylon Pipe |
| 16) Piston Cup | 38) A Fan | 60) Quick Connect | 82) Exhaust Pipe |
| 17) Connecting Rod | 39) Air Filter | 61) Regulator Valve Stand | 83) Check Valve |
| 18) Heightening the lining | 40) Nylon Pipe | 62) Pressure Gauge | |
| 19) Wind Scooper | 41) Power Cord | 63) Screw | |
| 20) Circlip for Shaft | 42) Handle Pull Rod | 64) Nut | |
| 21) B Fan | 43) Nut | 65) Straight connection | |
| 22) Shock Pad | 44) Screw | 66) Flexible Joint | |

2- TECHNISCHE GEGEVENS

AC4504

Vermogen voltage / Frequentie	V / Hz	230 / 50
Gevraagd Vermogen	kW	0.24
Max. druk	bar	8
Geluidsniveau (Dir. 2000/14/CE)	dB	58
Motor toerental	rpm	1420
Tank volume	litres	4
Capaciteit (aanzuigcapaciteit. / opbrengst)	l/min	45 / 28
Omgevingstemperatuur / vochtigheid	°C / %	5 - 40 / 5 - 95
Gewicht	kg	10.5
Afmetingen (b x l x h)	mm	355x335x300

AC24016

Vermogen voltage / Frequentie	V / Hz	230 / 50
Gevraagd Vermogen	kW	1.5
Max. druk	bar	9
Geluidsniveau (Dir. 2000/14/CE)	dB	72
Motor toerental	rpm	1400
Tank volume	litres	16
Capaciteit (aanzuigcapaciteit. / opbrengst)	l/min	240 / 170
Omgevingstemperatuur / vochtigheid	°C / %	5 - 40 / 5 - 95
Gewicht	kg	42.5
Afmetingen (b x l x h)	mm	720x510x500

AC12810

Vermogen voltage / Frequentie	V / Hz	230 / 50
Gevraagd Vermogen	kW	0.75
Max. druk	bar	9
Geluidsniveau (Dir. 2000/14/CE)	dB	65
Motor toerental	rpm	1420
Tank volume	litres	10
Capaciteit (aanzuigcapaciteit. / opbrengst)	l/min	128/80
Omgevingstemperatuur / vochtigheid	°C / %	5 - 40 / 5 - 95
Gewicht	kg	25.8
Afmetingen (b x l x h)	mm	540x465x495

3- CE MARKERING EN PLAATJE VAN GEGARANDEERD GELUIDS NIVEAU

CE Markering (FIG. 2 - Ref. 1) geeft aan dat de machine voldoet aan de essentiële veiligheid en gezondheid vereisten bepaald bij de Machine Richtlijn 2006/42/CE. Het plaatje (FIG. 2 - Ref. 2) geeft aan dat de machine voldoet aan de essentiële veiligheid en gezondheid vereisten bepaald bij de Machine Richtlijn 2000/14/CE. Deze polyester verklaringsplaat bevindt zich op het motor paneel.

4- LEZEN HANDLEIDING BELANGRIJK!



DE GEAUTORISEERDE GEBRUIKER (ZIE PAR. 2.2.1) DIENT DE HANDLEIDING TE LEZEN EN IN ZIJN GEHEEL TE BEGRIJPEN ALVORENS DE COMPRESSOR TE GEBRUIKEN.

Deze handleiding van de „Instructies voor Gebruik Onderhoud” werd volgens de Richtlijn 2006/42/EC samengesteld. Dit om de gebruiker te verzekeren van een juist en correct begrip van de inhoud van deze handleiding. Elke gebruiker die wordt belast met het gebruik en met het onderhoud van deze machine dient de handleiding aandachtig te lezen en te begrijpen. Indien de geautoriseerde gebruiker enig onbegrip heeft tijdens het lezen, gelieve onmiddellijk met de fabrikant contact op te nemen voor verdere informatie. Dit om verkeerd persoonlijk interpreteren en gevaar voor de veiligheid te voorkomen. Deze handleiding moet op elk ogenblik voor de gebruiker beschikbaar zijn. Daarom moet het altijd zorgvuldig worden bewaard, dichtbij de machine.



DEZE HANDLEIDING IS EEN INTEGRAAL DEEL VAN DE MACHINE EN MOET ALTIJD BIJ DE MACHINE BEWAARD WORDEN. DEZE HANDLEIDING MOET ALTIJD VOOR DE GEAUTORISEERDE GEBRUIKER BESCHIKBAAR ZIJN. BEWAAR DE HANDLEIDING OP EEN GESCHIKTE PLAATS ZODAT DEZE BIJ DE HAND IS EN BRUIKBAAR BLIJFT.

DE FABRIKANT KAN NIET AANSPRAKELIJK WORDEN GESTELD VOOR SCHADE AAN PERSONEN, DIEREN OF VOORWERPEN, VEROORZAAKT DOOR ACHTELOOSHEID OF NIET JUIST OPVOLGEN VAN DE NORMEN EN INSTRUCTIES DIE IN DEZE HANDLEIDING WORDEN BESCHREVEN.



DEZE HANDLEIDING WORDT VERPLICHT BIJ DE MACHINE GELEVERD, ALS DE MACHINE VAN EIGENAAR OF GEBRUIKER WISSELT DIENT DE HANDLEIDING OVERHANDIGD TE WORDEN.

DEZE HANDLEIDING IS UP TO DATE WANNEER DE MACHINE WORDT VERHANDELD MAAR KAN OP BASIS VAN NIEUWE ERVARINGEN EN ONTWIKKELINGEN WORDEN BIJGEWERKT.

IN HET GEVAL VAN VERLIES OF SLIJTAGE VAN DE HANDLEIDING DIENT U EEN NIEUW EXEMPLAAR BIJ DE FABRIKANT OF DE ERKENDE HANDELAAR AAN TE VRAGEN. U DIENT HIERBIJ HET MODEL EN UITVOERING TE SPECIFICEREN (ZIE MACHINE).

5- GEADRESSEERDEN

Deze handleiding is uitsluitend bestemd voor erkende personen die met het gebruik en het onderhoud van de machine volgens de specifieke technische en professionele bekwaamheden worden belast, die voor het type van interventie in kwestie worden vereist. De symbolen worden hier hieronder geplaatst aan het begin van een paragraaf en wijzen op de betrokken gebruiker bij het behandelde onderdeel.



DE ERKENDE PERSONEN MOETEN OP DE MACHINE SLECHTS DE ACTIES VAN HUN SPECIFIEKE BEKWAAMHEID UITVOEREN.



ALVORENS OM HET EVEN WELKE INTERVENTIE OP DE MACHINE UIT TE VOEREN, DE ERKENDE PERSONEN MOETEN ERVOOR ZORGEN DAT ZIJ IN PSYCHISCHE EN FYSIEKE STAAT ZIJN OM OP ELK OGENBLIK DE VEILIGHEIDSCONDITIES TE KUNNEN VERZEKEREN.



GEBRUIKER : dit is een gebruiker die minstens 18 jaar oud is (privé gebruiker of arbeider), die, overeenkomstig de bepalingen van de wetten van kracht in het land van gebruik op veiligheid en gezondheid in werkplaatsen, is op de hoogte van alle in en uitschakelprocedures met volledige naleving van de instructies in deze handleiding, de gebruiker dient met persoonlijke beschermingsmateriaal te worden uitgerust.



DE MECHANISCHE /PNEUMATISCHE MONTEUR VAN HET ONDERHOUD: dit is een erkend technisch gekwalificeerd persoon om op mechanische /pneumatische delen onderhoud en service uit te voeren. Aanpassing, onderhoud en/ of reparatieprocedures dienen in volledige naleving van de instructies uitgevoerd te worden. Alle in deze handleiding of in een ander specifiek document dat door de fabrikant wordt geleverd omschreven instructies dienen te worden nageleefd. De monteur dient met persoonlijk beschermingsmateriaal te worden uitgerust.



DE ELEKTRO MONTEUR VOOR ONDERHOUD: dit is een erkend technische gekwalificeerde persoon om interventie, aanpassing, onderhoud en of reparatieprocedures uit te voeren aan elektrische apparaten.

Alle in deze handleiding of in een ander specifiek document dat door de fabrikant wordt geleverd omschreven instructies dienen te worden dit after nageleefd. De monteur dient met persoonlijk beschermingsmateriaal te worden uitgerust..



VEILIGHEIDSMANAGER VAN HET BEDRIJF: dit is een erkend gekwalificeerd technisch persoon, die door de werkgever (voor het geval dat de machine in een bedrijf wordt) benoemd wordt. Deze persoon voldoet aan de technische en professionele vereisten die door de verordeningen en plaatselijke voorschriften van kracht zijn. Deze verordeningen en voorschriften voorzien in de veiligheid en de gezondheid van arbeiders op de betreffende werkplek.



DE TECHNISCHE SPECIALIST VAN DE FABRIKANT: dit is een gekwalificeerd technische persoon die voor de Fabrikant en/ of de erkende Handelaar de vereiste technische bijstand uit voert, voor supplementaire onderhoud en/ of procedures die niet in deze handleiding worden beschreven. Deze technischspecialist heeft specifieke kennis van de machine, en is met persoonlijk beschermingsmateriaal uitgerust.

6- UITGESCHAKELDE STAAT VAN DE MACHINE



Alvorens onderhoud service en/ of aanpassingen aan de machine uit te voeren, is het noodzakelijk om de tank te ontluichten zodat er geen druk meer in de tank is, de luchtslang en het aangekoppelde luchtgeleiding reedschap te ontkoppelen. Controleer of de machine echt gestopt is met draaien en niet plotseling ingeschakeld kan worden AAN- UIT- schakelaar in pos. „VAN (0)”. Haal de stekker van de machine uit het stopcontact zodat de machine ontkoppeld is van het stroomnet.

7- GARANTIE

- 1) GARANTIE VERKLARING: de fabrikant is verplicht die delen die bij aankoop reeds beschadigd of defect bleken te zijn te repareren of te vervangen, uitsluitend als dergelijke gebreken aan de daadwerkelijke verantwoordelijkheid van de fabrikant toe te schrijven zijn. De fabrikant behoudt zich het recht van het bepalen van de beste oplossing om de machine binnen een redelijke periode te herstellen.
- 2) KOPER: met koper wordt bedoeld „consument“ wanneer de aankoop door een particulier plaats vindt voor doeleinden die niet tot professionele activiteit behoren. De koper wordt genoemd „professioneel persoon of bedrijf“ wanneer de aankoop door een professioneel persoon of door een bedrijf plaats vindt voor zakelijke of professionele doeleinden.
- 3) TERMIJNEN: de fabrikant is aansprakelijk wanneer het defect binnen de volgende termijnen na de aankoop datum plaats vindt 24 maanden, als de aankoop door een „consument“ is gedaan, zoals beschreven onder punt 2); 12 maanden, als de aankoop door een „professioneel persoon of een bedrijf“ is uitgevoerd, zoals beschreven onder punt 2);
- 4) GELDIGHED: de garantie is geldig wanneer de koper aan de fabrikant het defect binnen 2 maanden vanaf de datum meedeelt waarin dergelijk tekort werd opgemerkt. Dergelijk bericht moet verplicht samen met een geldig aankoop document (aankoopfactuur) worden voorgelegd.
- 5) VERVAL : de garantie verloopt als de koper onjuist gebruik maakt van de machine of als de instructies van gebruik en onderhoud niet zijn nageleefd of als het defect wordt veroorzaakt door het gebrek aan vaardigheid of toevallig is veroorzaakt.
- 6) VERANTWOORDELIJKHEID: de fabrikant kan niet aansprakelijk worden gesteld voor directe of indirecte schade aan personen of zaken of productie verlies veroorzaakt door defecten.
- 7) KOSTEN: De uitgaven met betrekking tot arbeid en materialen noodzakelijk om het defect van de machine te herstellen komen ten laste van de fabrikant. De uitgaven en de leveringstermijnen moeten met de erkende handelaar worden goedgekeurd.

8- VOORBEHOUDEN RECHTEN

De exclusieve rechten op deze handleiding “gebruik en onderhoud instructies” blijft eigendom van de fabrikant. Geen onderdeel van deze handleiding mag worden verveelvoudigd of openbaar gemaakt worden (geheel of gedeeltelijk) zonder voorafgaande schriftelijke toestemming van de fabrikant. Alle genoemde handelsmerken behoren aan de respectievelijke eigenaren

9- TOEPASSING VAN GEBRUIK

GEBRUIKS SECTOREN	Industriële, ambachtelijke en de civiele sector.
PLAATS VAN GEBRUIK	Binnenshuis of buitenshuis plaatsen (op voorwaarde dat wordt voldaan aan de atmosferische vereisten) voldoende ventilatie, met luchttemperatuur en vochtigheid waarden welke voldoen aan par. 2. De werkplek dient te voldoen aan de wettelijke bepalingen die gelden in het land van gebruik op het gebied van veiligheid en gezondheid. De machine moet op een stabiele en vlakke ondergrond worden geplaatst welke voldoet aan het gewicht en de totale afmetingen van de machine(zie par. 2). LET OP! Het is verplicht om de MACHINE BUITEN HET BEREIK VAN KINDEREN te plaatsen.
BEDOELD GEBRUIK	Luchtcompressie (zonder olie) voor het gebruik van geschikt pneumatisch gereedschap dat voldoet aan de geldende regelgeving. (Uitgesloten: : blaaspistolen, spuiten voor: verven lijmen of zandstralen; schroefmachines en beitels).
EXPLOITANTEN BELAST MET HET GEBRUIK	Een geautoriseerde werknemer die voldoet aan de professionele eisen beschreven in par. 5

10- DE GRENZEN VAN HET GEBRUIK

Deze machine is ontworpen en gefabriceerd uitsluitend voor het gebruik dat in paragraaf 9 wordt beschreven. Een ander gebruik of toepassing is absoluut verboden, dit om op elk ogenblik de veiligheid van de gebruiker te verzekeren, evenals de efficiency van de machine zelf.



HET IS STRIKT VERBODEN DE MACHINE IN EEN EXPLOSIEVE ATMOSFEER EN/ OF IN AANWEZIGHEID VAN BRANDBARE STOFFEN TE GEBRUIKEN.

BEPERKINGEN IN GEBRUIK: HET IS STRIKT VERBODEN OM DE MACHINE ONGEPAST TE GEBRUIKEN, GEBRUIK DE MACHINE ALLEEN ZOALS BESCHREVEN IN (PARAGRAAF 9).

HET IS VERPLICHT OM DE MACHINE BUITEN HET BEREIK VAN KINDEREN TE HOUDEN.

TIJDENS HET GEBRUIK, IS HET VERPLICHT TE ZORGEN DAT NIET-GEMACHTIGDE PERSONEN NIET DICHT BIJ DE MACHINE KOMEN.

HET IS STRIKT VERBODEN OM LUCHTLEIDINGEN TE MONTEREN, EN NIET GESCHIKTE HULPMIDDELEN TE GEBRUIKEN. OF MIDDELEN WELKE NIET VOLDOEN AAN DE VERORDENINGEN EN VOORSCHRIFTEN WELKE VAN KRACHT ZIJN.



HET IS STRIKT VERBODEN OM DE MACHINE MET KRANEN EN/ OF VORKHEFTRUCKS OP TE HEFFEN.

HET IS STRIKT VERBODEN OM DE STRAAL VAN DE SAMENGEPERSTE LUCHT TEGEN PERSONEN, DIEREN EN DINGEN TE RICHTEN.

HET IS STRIKT VERBODEN OM DE MACHINE TE GEBRUIKEN OM PERSONEN, DIEREN EN DINGEN TE VERVOEREN EN OF MEE OP TE HEFFEN.

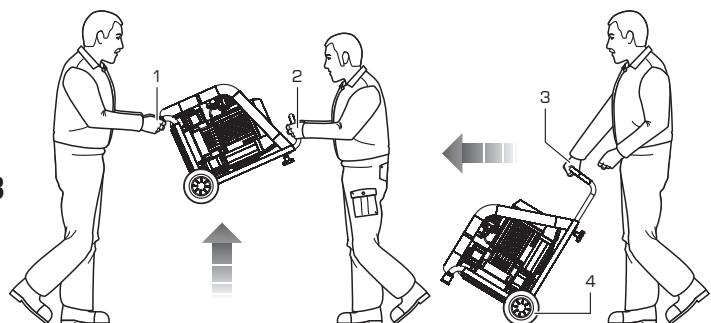
HET IS STRIKT VERBODEN OM OP DE MACHINE TE STAAN OF TE KLIMMEN.

HET IS STRIKT VERBODEN OM DE MACHINE TE SLEPEN DOOR WELK MIDDEL EN/OF VOERTUIG DAN OOK.

HET IS STRIKT VERBODEN OM DE MACHINE OP EEN HOOGTE OF OP EEN HELLEND VLAKE TE PLAATSEN.

GEVAAR VOOR BRANDWONDEN DOOR TOEVALLIG CONTACT MET DE BI-CILINDRISCHE POMP EN DE ELEKTRISCHE MOTOR. VOORZICHTIGHEID! ER IS ALTIJD EEN RISICO (ZIE PARAGRAAF.21).

Fig. 3



11- HET VERVOER EN VERPLAATSEN VAN DE MACHINE



De machine kan manueel door twee personen worden vervoerd door het aan de dragende voet (FIG. 3 - Ref. 1) en het handvat (FIG. 3 - Ref. 2) op te tillen. Of manueel verplaatst worden door een gebruiker aan het handvat (FIG. 3 - Ref. 3) en de wielen (FIG. 3 - Ref. 4) waarmee het uitgerust is.



HET VERVOER VAN DE MACHINE MOET VERPLICHT DOOR TWEE PERSONEN WORDEN UITGEVOERD OVEREENKOMSTIG DE VERORDENINGEN AANGAANDE DE „ARBO WET“ OM ONGUNSTIGE ERGONOMISCHE OMSTANDIGHEDEN TE VERMIJDEN EN RISICO'S VAN LETSEL.

12- VERPAKKING

De machine wordt door de Fabrikant in een kartonnen doos verpakt die met twee handvatten wordt uitgerust. Deze doos bevat 1 Compressor en 1 Handleiding instructies van Gebruik en onderhoud.

13- UITPAKKEN VAN DE COMPRESSOR

Plaats het pakket in een stabiele toestand op een vlakke en stevige vloer, pak de machine uit de doos volg hierbij de instructies van paragraaf 11.



GEADVISEERD WORDT DE VERSCHILLENDE TYPE VAN MATERIALEN VAN DE VERPAKKING IN VOLLEDIGE NALEIVING VAN DE WETTEN AF TE VOEREN.

14- HET PLAATSEN VAN DE COMPRESSOR



De machine moet in een werkplaats worden gebruikt die de eigenschappen heeft die in paragraaf 2 worden beschreven, de machine moet stabiel op een vlakke stevige vloer worden geplaatst rekening houdend met betrekking tot zijn algemene afmetingen en gewicht (paragraaf 2).



OM DE ERKENDE EXPLOITANTEN TOE TE STAAN OM IN VEILIGHEID TE WERKEN PLAATST, WORDT HET VOORGESTELD OM TE VERZEKEREN EEN MINIMUMAFSTAND (1 M) VAN ANDEREN EN/ OF OBSTAKELS BEZWAAR HEEFT.

15- OPSLAG



Als de machine voor langere tijd niet wordt gebruikt, is het noodzakelijk om het op te slaan in een veilige plaats, die van de juiste temperatuur en vochtigheid is voorzien, evenals het te beschermen tegen stof. Alvorens de machine op te slaan, wordt geadviseerd om het condensaat van de luchttank af te tappen.

16- ELEKTRISCHE AANSLUITING



De machine kan op het stroomnet worden aangesloten door de stekker in een juist stopcontact te steken.



HET STROOMNET WAAR AAN DE MACHINE WORDT AANGESLOTEN MOET AAN DE VEREISTEN VOLDOEN DIE VAN KRACHT ZIJN IN HET LAND VAN GEBRUIK. DE TECHNISCHE SPECIFICATIES MOETEN OVEREENKOMEN MET DIE IN PARAGRAAF.2. BOVENDIEN MOET HET EEN GEAARDE AANSLUITING ZIJN.



ELK ELEKTRISCH MATERIAAL DAT VOOR DE VERBINDING WORDT GEBRUIKT MOET GECEERTIFICEERD ZIJN VOLGENS DE RICHTLIJN 2006/95/EC. OOK MOET WORDEN VOLDAAN AAN DE VEREISTEN DIE VAN KRACHT ZIJN IN HET LAND VAN GEBRUIK.

HET NIET NALEVEN VAN DE HIERBOVEN BESCHREVEN WAARSCHUWINGEN KAN ONHERSTELBARE SCHADE VAN DE ELEKTRISCHE INSTALLATIE VAN DE MACHINE TOT GEVOLG HEBBEN. DE GARANTIE ZAL IN DIT GEVAL VERVALLEN.

DE FABRIKANT IS NIET AANSPRAKELIJKHEID VOOR FOUTEN OF DEFECTEN AAN DE MACHINE DIE TOE TE SCHRIJVEN ZIJN AAN DE PLOTSELINGE VERANDERINGEN VAN HET VOLTAGE DIE DE TOLERANTIE OVERSCHRIJDEN. (PIEKSPANNINGEN VAN DE STROOM VOORZIENING) (VOLTAGE $\pm 10\%$ - FREQUENTIE $\pm 2\%$).

MOCHT HET TOCH NOODZAKELIJK ZIJN DE MACHINE AAN EEN AGGREGAAT/ GENERATOR AAN TE SLUITEN WELKE EEN GROTER VERMOGEN LEVERD ALS GEVRAAGD (ZIE PARAGRAAF 2) DAN IS HET NOODZAKELIJK DE PIEK SPANNING TE ABSORBEREN. DE COMPRESSOR MAG NOOIT ZIJN AANGESLOTEN ALS DE GENERATOR/ AGGREGAAT WORDT OPGESTART!

17 – AANSLUITEN VAN DE LUCHTSLANG EN HET LUCHTGEREEDSCHAP



- 1) Sluit het luchtgereedschap aan de luchtslang;
- 2) Verbind de luchtslang aan de snelkoppeling van de machine (fig. 1 - Ref. 14).



HET IS STRIKT VERBODEN OM LUCHTSLANGEN KOPPELINGEN EN GEREEDSCHAPPEN TE GEBRUIKEN DIE NIET GESCHIKT ZIJN EN / OF NIET VOLDOEN AAN DE GELDENDE REGELGEVING.

HET IS VERPLICHT OM GEBRUIK TE MAKEN VAN LUCHTSLANGEN, KOPPELINGEN EN GEREEDSCHAPPEN, DIE VOLDOEN AAN DE VOORGESCHREVEN BEPALINGEN VAN DE BETREFFENDE BETROKKEN FABRIKANTEN.

DE FABRIKANT IS NIET AANSPRAKELIJKHEID VOOR SCHADE AAN PERSONEN DIEREN EN GOEDEREN DIE WORDEN VEROORZAAKT DOOR HET NIET NALEVEN VAN DE HIERVOOR BESCHREVEN VOORWAARDEN EN WAARSCHUWINGEN.

18- VEILIGHEIDSVORZIENING

- 1) VEILIGHEIDSVENTIEL (FIG. 1 - Ref. 4): Dit is een schriftelijk gegarandeerd veiligheidsventiel (gekalibreerd op 10,5 bar), die op de compressor onder de drukschakelaar is geïnstalleerd. Deze wordt gebruikt om de overdruk van de installatie te ontladen, wanneer de drukschakelaar wegens mogelijke defecten niet zou werken. Het overhalen van het ventiel verplicht de operator om de machine uit te schakelen en een onderhoud te laten uitvoeren door een techniker.
- 2) DRUKSCHAKELAAR (FIG. 1 - Ref. 8): dit is een elektro-pneumatisch onderdeel (gekalibreerd op 7 bar en max. 10 bar) die op de compressor geïnstalleerd is. Hij schakelt automatisch de compressor in wanneer deze onder 7 bar valt, en stopt automatisch de compressor wanneer deze 10 bar bereikt heeft.
- 3) VEILIGHEIDSRÖOSTER VAN DE VENTILATOR (FIG. 1 - Ref. 17): Dit kunststof rooster bevindt zich aan de basis van de bi-cylindrische pomp zodat de ventilator niet kan worden aangeraakt.
- 4) TERUGZETBARE THERMISCHE SCHAKELAAR (FIG. 1 - Ref. 12): deze bevindt zich op de elektrische installatie en dient om de motor te stoppen indien deze overbelast is of in geval van een kortsluiting. Het terugzetten dient te gebeuren d.m.v.. de drukknop. (zie FIG. 7 - Ref. 1).
- 5) DRUKMETER (FIG. 1 - Ref. 6): dit is een meetinstrument dat op de machinetank wordt geïnstalleerd en geeft de druk binnen in de tank weer.
- 6) WERKDRUKMETER (FIG. 1 - Ref. 7): deze bevindt zich na de drukregelaar en geeft de werkdruk weer, na afregeling van de drukregulator. (0 ÷ 10 bar) (FIG. 1 - Ref. 13).



HET IS ABSOLUUT VERBODEN OM EENDER WELKE VEILIGHEIDSVORZIENING TE VERWIJDEREN OF LOS TE MAKEN.

HET IS TEN STRENGSTE VERBODEN OM COMPONENTEN VAN EEN VAN DEZE VEILIGHEIDSVORZIENINGEN TE VERVANGEN DOOR NIET ORIGINELE ONDERDELEN.

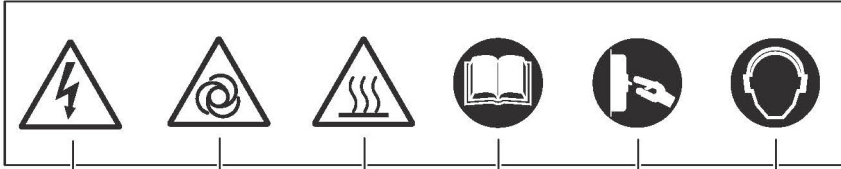
HET IS VERPLICHT OM BIJ ELK GEBRUIK VAN DE COMPRESSOR, HET CORRECT FUNCTIONEREN VAN DEZE VEILIGHEIDSVORZIENINGEN TE CONTROLEREN.

BESCHADIGDE OF DEFECTE ONDERDELEN VAN DEZE VEILIGHEIDSVORZIENINGEN DIENEN ONMIDDELLIJK VERVANGEN TE WORDEN.

19- Veiligheidsaanduidingen

De veiligheidsaanduidingen worden d.m.v. zelfklevende etiketten op verschillende locaties op de compressor weergegeven. (FIG. 4).

Betekenis van de signalen



Gevaar: elekt-
rische voeding

Gevaar : automa-
tisch opstarten

Gevaar : hoge
temperatuur

Lees verplicht
de instructies

Het is verplicht de
elektrische voeding
los te koppelen.

Het is verplicht om
oorbescherming
te gebruiken



HET IS VERPLICHT OM DEZE VEILIGHEIDSAANDUIDINGEN PROPER EN DUIDELIJK LEESBAAR TE HOUDEN
HET IS ABSOLUUT VERBODEN OM DEZE VEILIGHEIDSAANDUIDINGEN TE VERWIJDEREN VAN DE COMPRESSOR.
BIJ BESCHADIGING OF VERSLIJTEN VAN DEZE VEILIGHEIDSWAARSCHUWINGEN DIEN MEN NIEUWE EXEMPLAREN AAN TE VRAGEN BIJ DE LEVERANCIER ZODAT DE OUDE KUN-
NEN VERVANGEN WORDEN.

20- PERSOONLIJKE BEVEILIGINGSUITRUSTING (PBU)



DE OPERATORS MOGEN GEEN LOSHANGENDE KLEDIJ EN/OF ACCESSOIRES DRAGEN AANGEZIEN DEZE KUNNEN VERSTRENGELD RAKEN IN DE MACHINE.
HET IS VERPLICHT OM DE DOOR DE LEVERANCIER VOORZIENE VEILIGHEIDSVORZIENINGEN TE DRAGEN .

SIGNAAL	VERPLICHTE UITRUSTING	TYPE GEBRUIK
	<ul style="list-style-type: none"> Handbescherming (Hitte beschermende handschoenen) 	In geval er een onderhoudsinterventie dient te gebeuren en er niet kan worden gewacht tot de bi-cylindrische pomp afgekoeld is.
	<ul style="list-style-type: none"> Oorbeschermers 	Gedurende het ganse gebruik van de compressor
	<ul style="list-style-type: none"> voetbescherming (schoenen met versterkte tip) 	Gedurende het verplaatsen van de compressor

21- OVERIGE RISICO'S

Er dient rekening worden gehouden met het feit dat ondanks deze veiligheidsvoorzieningen er toch nog occasionele risico's blijven:

Verbrandingsgevaar bij toevallig contact met de bi-cylindrische pomp en elektrische motor.

Getroffen maatregelen :

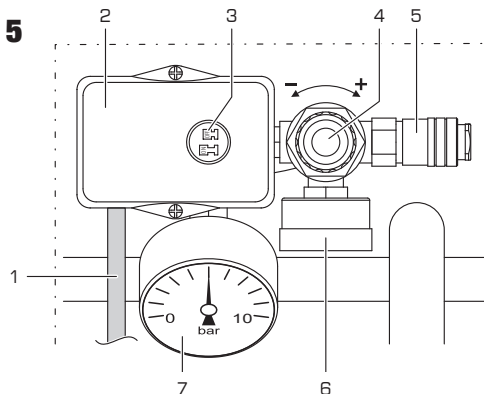
Veiligheidssignalisatie (zie par. 19). / Gebruik van de verplichte uitrusting / wachten tot de machine voldoende is afgekoeld.

22- INSTRUCTIES

Worden weergegeven in FIG. 5.

- 1) elektrische kabel
- 2) drukschakelaar
- 3) "AAN-UIT" schakelaar
- 4) werkdrukregulator
- 5) ventiel voor snelle luchtafvoer
- 6) werkdrukventiel
- 7) tank drukventiel

Fig. 5



23- CONTROLEER ALVORENS DE COMPRESSOR IN TE SCHAKELN :



- 1) Zorg ervoor dat er geen onbevoegde personen bij de compressor staan
- 2) Zorg ervoor dat de veiligheidsvoorzieningen (par 18) in orde zijn.
- 3) Zorg ervoor dat de machine correct geïnstalleerd is (zie par. 14).
- 4) Zorg ervoor dat de "AAN-UIT" schakelaar op "UIT" staat (zie par. 22).
- 5) Zorg ervoor dat de condensatie afvoerklep gesloten is. (FIG. 1 - Ref. 5).
- 6) Gebruik de voorgeschreven veiligheidsuitrusting (zie par. 20).
- 7) Zorg ervoor dat u de "Gebruiksaanwijzing en onderhoudsinstructies" grondig hebt gelezen en begrepen.

24- DE MACHINE AANZETTEN

ALVORENS DE COMPRESSOR AAN TE ZETTEN MOET DE OPERATOR ALLE VOORSCHRIFTEN VAN PAR. 23 HEBBEN GECONTROLEERD.



LEES AANDACHTIG DE GEBRUIKERSMANUAL ALVORENS DE MACHINE TE GEBRUIKEN.

DE COMPRESSOR MAG UITSLUITEND GEBRUIKT WORDEN DOOR BEVOEGD PERSONEEL.

LET ER OP DE BI-CYLINDRISCHE POMP NIET AAN TE RAKEN : DIT KAN BRANDWONDEN VEROORZAKEN.

DE FABRIKANT IS NIET AANSPRAKELIJK VOOR SCHADEBEROKKENING AAN PERSONEN, DIEREN EN VOORWERPEN BIJ HET NIET NALEVEN VAN DE VEILIGHEIDS- EN GEBRUIKS-VOORSCHRIFTEN.

DE FABRIKANT IS NIET AANSPRAKELIJK VOOR EINDRESULTATEN VAN HET GEBRUIK VAN DE COMPRESSOR, AANGEZIEN DEZE AFHANGEN VAN HET TYPE TOOL DAT GEBRUIKT WORDT EN VAN DE PROFESSIONELE KWALITEITEN VAN DE OPERATOR.



1) Steek de stekker in het contact (FIG. 5 - Ref. 1)

2) Schakel de machine aan d.m.v. de "AAN-UIT" schakelaar (FIG. 5 - Ref. 3) (l) (de compressor werkt tot de maximum druk van 10 bar is bereikt en stopt dan automatisch)

3) Pas de werkdruk aan d.m.v. de regulator (FIG. 5 - Ref. 4), al naargelang de gebruikte tool en toepassing. Controleer de druk in de drukmeter. (FIG. 5 - Ref. 6);



HET IS VERBODEN OM DE DRUKREGULATOR VOORBIJ HET EINDE TE DRAAIEN (FIG. 8 - REF. 3) AANGEZIEN DIT SCHADE AAN HET MEMBRAAN KAN VEROORZAKEN.

4) Sluit de tool aan op de perslucht slang

5) Sluit de perslucht slang aan op de compressor (FIG. 5 - Ref. 5);



HET IS STRIKT VERBODEN OM PERSLUCHTSLANGEN, ACCESSOIRES EN TOOLS TE GEBRUIKEN DIE NIET VOLDOEN AAN DE VOORGESCHREVEN VOORSCHRIFTEN.

HET IS VERPLICHT OM PERSLUCHTSLANGEN, ACCESSOIRES EN TOOLS TE GEBRUIKEN DIE VOLDOEN AAN DE AANBEVELINGEN EN INSTRUCTIES VAN DE FABRIKANT, WAT BETREFT GEBRUIK EN ONDERHOUD.

6) Gebruik de compressor voor de gewenste toepassing (de machine start automatisch weer op indien de werkdruk onder de 8 bar daalt)

7) Wanneer de compressor niet meer gebruikt dient te worden, schakel hem uit zoals beschreven in par. 25.

25- Het uitschakelen van de compressor.



1) Schakel de compressor uit d.m.v. de "AAN-UIT" schakelaar (FIG. 5 - Ref. 3)

2) Verwijder de stekker uit het stopcontact

3) Verwijder de tool van de perslucht slang

4) Verwijder de perslucht slang van de compressor

5) Verwijder het condensaat van de tank (FIG. 1 - Ref. 5).

26- RESET VAN DE TERUGZETBARE THERMISCHE BESCHERMINGSSCHAKELAAR



In geval van een overbelasting of een kortsluiting stopt de terugzetbare thermische schakelaar de compressor. Om deze schakelaar te resetten, ga als volgt te werk :

1)

Zet de "AAN - UIT" schakelaar (FIG. 5 - Ref. 3) op "UIT (0)";

2)

Druk op de terugzetbare thermische beschermingsschakelaar (FIG. 7 - Ref. 1);

3)

Wacht een paar minuten alvorens de machine terug op te starten.



INDIEN DE MACHINE NA DEZE RESET NIET TERUG ZOU OPSTARTEN, MOET ER EEN TECHNISCHE INTERVENTIE WORDEN UITGEVOERD.

27- NOODSTOP



De machine kan worden uitgeschakeld door de schakelaar op OFF te zetten. (FIG. 5 - Ref. 3). Verwittig onmiddellijk de Veiligheidsmanager indien de compressor wordt gebruikt in een firma.

28- TERUG OPSTARTEN NA EEN NOODSTOP



Dit mag uitsluitend gebeuren indien de oorzaken van de noodstop werden verholpen, en na akkoord van de Veiligheidsmanager. Schakel de machine terug aan zoals omschreven in par. 24.

29- ROUTINE ONDERHOUD



Dit moet regelmatig worden uitgevoerd om een goede werking van de compressor te garanderen en omvat : aanpassingen, visuele controle, het reinigen van luchtfilters etc.) Het onderhoud moet worden uitgevoerd door bevoegd personeel.



Opgelet : de compressor mag uitsluitend gebruikt worden door bevoegd personeel en mag dus niet alleen worden gelaten tijdens het gebruik en/of onderhoud om te voorkomen dat onbevoegde personen toegang krijgen tot de compressor.

LIJST VAN HET ROUTINE ONDERHOUD

FREQUENTIE	INTERVENTIEPUNT	TYPE INTERVENTIE
IEDERE DAG 	Veiligheidsvoorzieningen.	Controleer of zij volledig zijn, behoorlijk geïnstalleerd en behoorlijk werken.
	Stekker en stopcontact	Controleer of er nergens slijtage is.
	Tank	Na ieder gebruik dient de condensatie uit de tank verwijderd te worden via het condensatieventiel. (FIG. 1 - Ref. 5).
IEDERE WEEK 	Banden	Controleer of er nog genoeg druk zit in de banden. Indien nodig pomp ze op tot max. 2.5 bar.
	No.2 lucht filters	Draai de schroeven los (FIG. 6 - Ref. 1); Haal het deksel eraf (FIG. 6 - Ref. 2); Haal de filter eruit (FIG. 6 - Ref. 3) en reinig deze met lucht Stel de filter terug samen en schroef het geheel terug vast. N.B.: IN GEVAL VAN SLIJTAGE DIENT DE FILTER VERVANGEN TE WORDEN

30- BIJKOMEND ONDERHOUD



Om een goede werking te garanderen dienen alle onderdelen die versleten of defect zijn, vervangen te worden door de techniekers van de fabrikant.



CONTACTEER VOOR HET BIJKOMEND ONDERHOUD STEEDS DE TECHNISCHE DIENST VAN DE FABRIKANT.

31- RECYCLAGE



De machine dient gerecycleerd te worden volgens de algemeen geldende triagevoorschriften wat betreft de verschillende materialen (plastic, koper, ijzer, etc)

32- ONDERDELEN



INDIEN ORIGINELE ONDERDELEN VERVANGEN DIENEN TE WORDEN, KUNNEN DEZE TEN ALLEN TIJDE WORDEN BESTELD BIJ DE LEVERANCIER.

HET IS ABSOLUUT VERBODEN OM ONDERDELEN TE VERVANGEN DOOR NIET ORIGINELE EXEMPLAREN.


33- TROUBLESHOOTING



Hieronder vindt u een opsomming van een aantal situaties die zich kunnen voordoen tijdens het gebruik van de compressor.

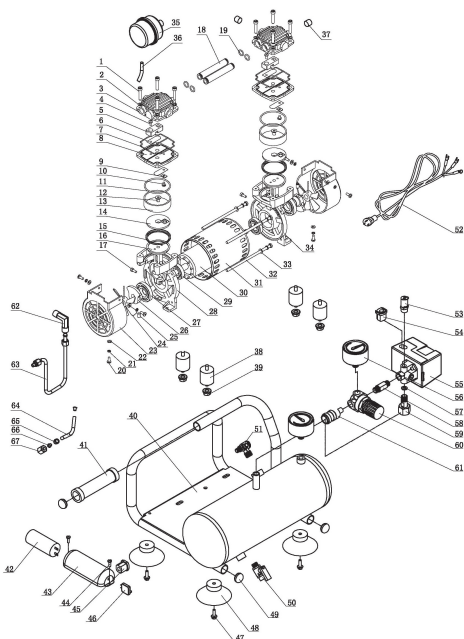


De operators mogen uitsluitend tussenkomen in situaties waartoe zij gemachtigd zijn.

PROBLEEM	ORZAAK	TROUBLESHOOTING
De machine start niet op of stopt en kan niet heropgestart worden.	Gebrek aan stroom	<ol style="list-style-type: none"> 1) Controleer dat de schakelaar op "AAN" staat 2) Controleer of de stekker correct is aangesloten op het stopcontact 3) Controleer of de perslucht slang en het snoer niet beschadigd zijn 4) Controleer of er stroomtoevoer is
	Het overspringen van de thermische schakelaar ten gevolge van een overbelasting of een kortsluiting	zie par. 26
De compressor start verschillende keren op zonder dat de tool wordt gebruikt.	Een lek in de perslucht slang, de tool of de pneumatische installatie .	<ol style="list-style-type: none"> 1) Controleer of de pneumatische installatie niet beschadigd is 2) Check of de compressor volledig is en of de aansluiting tussen de perslucht slang en de tool goed is.
Er komt geen lucht uit de tool	De tank staat niet onder druk	Schakel de compressor aan en wacht tot de tank vol is. Controleer de druk op de drukmeter.
	Slechte afstelling van de werkdruk	Controleer of de weergegeven waarde op de drukmeter hoger is dan 0 (nul) bar.
	De tool is beschadigd	Controleer of de tool volledig is en het correct werken ervan
Daling van de druk in de tank.	Lek in de perslucht slang, de tool of de pneumatische installatie	<ol style="list-style-type: none"> 1) Controleer of de pneumatische installatie volledig is 2) Controleer of de perslucht slang en de tool volledig zijn 3) Controleer of de perslucht slang en accessoires correct aangesloten zijn. 4) Controleer of de condensatie afvoer klep correct gesloten is.
Het springen van de veiligheidsklep	Defecte drukschakelaar	 Contacteer een geautoriseerde dealer
Lek van de luchtklep van de drukschakelaar dat het stoppen van de machine veroorzaakt.	Controleer of de klep vuil of versleten is.	
De machine trilt en/of maakt heel veel lawaai.	Mechanische onderbreking	
Frequente opstart en weinig debiet	De luchtfilters zijn vuil.	Reinig de filters (zie par. 29).

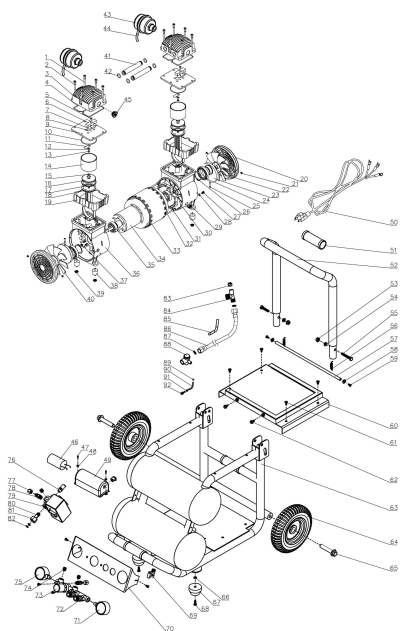
1- BETECKNING PÅ DELARNA

SE



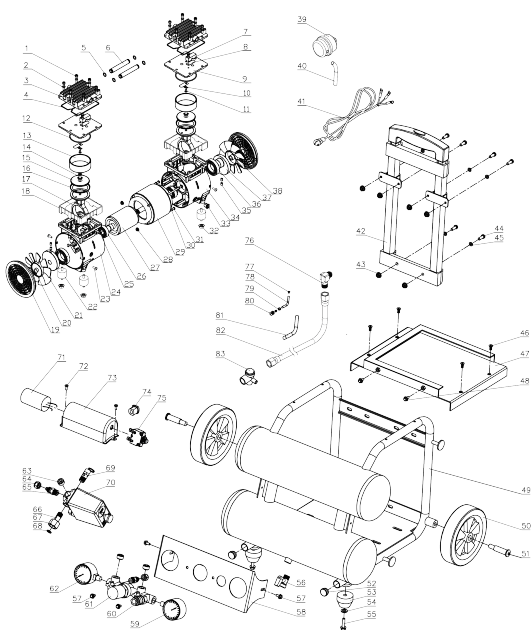
AC4504

- | | | | |
|---------------------------|---------------------|-----------------------|-----------------------|
| 01) Screw | 18) Gas-guide Tube | 35) Air Filter | 52) Power Cord |
| 02) Cushion | 19) O-ring | 36) Hush Pipe | 53) Safty Valve |
| 03) Cylinder Head | 20) Screw | 37) Choke plug | 54) Power Cord Buckle |
| 04) Screw | 21) Cushion | 38) Shock Pad | 55) Pressure Switch |
| 05) Limit Range Implement | 22) Flat washer | 39) Nut | 56) Pressure Gauge |
| 06) Valve Block | 23) Wind Scooper | 40) Horizontal Tank | 57) Gasket |
| 07) Seal | 24) Fan | 41) Handle Sleeve | 58) Double Joint |
| 08) Valve Board | 25) Screw | 42) Capacity | 59) Flexible Joint |
| 09) Valve plate clamp | 26) Crank | 43) Capacity Cover | 60) Regulator Valve |
| 10) Screw | 27) Bearing | 44) Screw | 61) Quick Connect |
| 11) O-Ring | 28) Left Crankcase | 45) Power Cord Buckle | 62) Elbow |
| 12) Screw | 29) Bearing | 46) Protector | 63) Exhaust Pipe(AI) |
| 13) Cylinder | 30) Motor Rator | 47) Scw | 64) Unloading Pipe |
| 14) Valve Board | 31) Motor Staoitr | 48) Foot Pad | 65) Cutting Sleeve |
| 15) Piston Cup | 32) Bolt | 49) Apertural Plug | 66) Lining |
| 16) Connecting Rod | 33) Flat washer | 50) Ball Valve | 67) Nut |
| 17) Screw | 34) Right Crankcase | 51) Check Valve | |



AC24016

- | | | | |
|----------------------------|--|----------------------|------------------------|
| 01) Screw | 24) Bearing | 47) Screw | 70) Instrument panel |
| 02) Cushion | 25) Screw | 48) Flat washer | 71) Pressure Gauge |
| 03) Cylinder Head | 26) circlip for shaft | 49) Capacity Cover | 72) Quick Connect |
| 04) Seal | 27) Screw | 50) Power Cord | 73) Regulator Valve |
| 05) Screw | 28) Serrated Lock Washers Internal Teeth | 51) Handle Sleeve | 74) Screw |
| 06) Limit Range Implement | 29) Power Cord Buckle | 52) Handle | 75) Pressure Gauge |
| 07) Valve Block | 30) Right Crankcase | 53) Nut | 76) Safty Valve |
| 08) Valve Block | 31) Cushion | 54) Flat washer | 77) Nut |
| 09) Valve Board | 32) Bolt | 55) Bolt | 78) straight joint |
| 10) O-Ring | 33) Motor Staoitr | 56) Extension Spring | 79) Pressure Switch |
| 11) Valve Block | 34) Motor Rator | 57) Hand Rod | 80) Flexible Joint |
| 12) Valve plate clamp | 35) Bearing | 58) Flat washer | 81) Flexible Joint Nut |
| 13) Screw | 36) Left Crankcase | 59) Screw | 82) Gasket |
| 14) Cylinder | 37) Nut | 60) Tool Plate | 83) Soft Starter |
| 15) Screw | 38) Shock Pad | 61) Screw | 84) Three-way |
| 16) Valve Board | 39) Nut | 62) Bolt | 85) Nylon Pipe |
| 17) Piston Cup | 40) B Fan | 63) Tank | 86) Exhaust Pipe |
| 18) Connecting Rod | 41) Gas-guide Tube | 64) Foot Wheel | 87) Seal cushion |
| 19) Heightening the lining | 42) O-Ring | 65) Wheel shaft | 88) Check Valve |
| 20) Wind Scooper | 43) Air Filter | 66) Flat washer | 89) Lining |
| 21) Screw | 44) Hush Pipe | 67) Foot Pad | 90) Unloading Pipe |
| 22) A Fan | 45) Plug | 68) Bolt | 91) Cutting Sleeve |
| 23) Crank | 46) Capacity | 69) Ball Valve | 92) Nut |



AC12810

- | | | | |
|-----------------------------|-----------------------|---------------------------|------------------------|
| 01) Screw | 23) Screw | 45) Washer | 67) Flexible Joint Nut |
| 02) Flat washer | 24) Left Crankcase | 46) Screw | 68) Gasket |
| 03) Cylinder Head | 25) Screw | 47) Tool Board | 69) Safty Valve |
| 04) Cylinder sealing gasket | 26) Bearing | 48) Bolt | 70) Pressure Switch |
| 05) O-Ring | 27) Motor Rator | 49) Horizontal Two Tank | 71) Capacity |
| 06) Gas-Guide Tube | 28) Nut | 50) Foot Wheel | 72) Screw |
| 07) Limit Range Implement | 29) Motor Staoitr | 51) Wheel Shaft | 73) Capacity Cover |
| 08) Valve Block | 30) Cushion | 52) Plug (rubber) | 74) Power Cord Buckle |
| 09) Valve Board | 31) Bolt | 53) Foot Pad | 75) Protector |
| 10) Valve plate clamp | 32) Nut | 54) Washer | 76) Elbow |
| 11) Screw | 33) Power Cord Buckle | 55) Bolt | 77) Lining |
| 12) O-Ring | 34) Right Crankcase | 56) Drain Valve | 78) Nylon Pipe |
| 13) Cylinder | 35) Screw | 57) Bolt | 79) Cutting Sleeve |
| 14) Screw | 36) Bearing | 58) Instrument Panel | 80) Nut |
| 15) Valve Board | 37) Crank | 59) Pressure Gauge | 81) Nylon Pipe |
| 16) Piston Cup | 38) A Fan | 60) Quick Connect | 82) Exhaust Pipe |
| 17) Connecting Rod | 39) Air Filter | 61) Regulator Valve Stand | 83) Check Valve |
| 18) Heightening the lining | 40) Nylon Pipe | 62) Pressure Gauge | |
| 19) Wind Scooper | 41) Power Cord | 63) Screw | |
| 20) Circlip for Shaft | 42) Handle Pull Rod | 64) Nut | |
| 21) B Fan | 43) Nut | 65) Straight connection | |
| 22) Shock Pad | 44) Screw | 66) Flexible Joint | |

2- TEKNISKA DATA

AC4504

Spänning/frekvens	V / Hz	230 / 50
Märkeffekt	kW	0.24
Maximalt driftryck	bar	8
Garanterad bullertrycksnivå (direktiv 2000/14/EG)	dB	58
Motoraxelns rotationshastighet	rpm	1420
Behållarens volym	litres	4
Utbyte (insugit/avgivet)	l/min	45 / 28
Omgivningens lufttemperatur/fuktighet	°C / %	5 - 40 / 5 - 95
Total vikt	kg	10.5
Mått (b x l x h)	mm	355x335x300

AC24016

Spänning/frekvens	V / Hz	230 / 50
Märkeffekt	kW	1.5
Maximalt driftryck	bar	9
Garanterad bullertrycksnivå (direktiv 2000/14/EG)	dB	72
Motoraxelns rotationshastighet	rpm	1400
Behållarens volym	litres	16
Utbyte (insugit/avgivet)	l/min	240 / 170
Omgivningens lufttemperatur/fuktighet	°C / %	5 - 40 / 5 - 95
Total vikt	kg	42.5
Mått (b x l x h)	mm	720x510x500

AC12810

Spänning/frekvens	V / Hz	230 / 50
Märkeffekt	kW	0.75
Maximalt driftryck	bar	9
Garanterad bullertrycksnivå (direktiv 2000/14/EG)	dB	65
Motoraxelns rotationshastighet	rpm	1420
Behållarens volym	litres	10
Utbyte (insugit/avgivet)	l/min	128/80
Omgivningens lufttemperatur/fuktighet	°C / %	5 - 40 / 5 - 95
Total vikt	kg	25.8
Mått (b x l x h)	mm	540X465X495

3- CE-MÄRKNING OCH SKYLTVÄR GARANTERAD LJUDTRYCKSNIVÅ

Med CE-märkningen (bild 2, siffror 1) bekräftas att maskinen uppfyller de grundläggande häls- och säkerhetskrav som avses i maskindirektivet 2006/42/EG. Med denna skylt (bild 2, siffror 2) bekräftas att maskinen uppfyller de grundläggande häls- och säkerhetskrav som avses i maskindirektivet 2000/14/EG. De utgörs av självhäftande märken i polyester med svart termotransfertryck och är fastklistrade på motorpanelen.

4- MANUALENS BETYDELSE



INNAN DEN HÄR MASKINEN ANVÄNDS MÅSTE DE AUKTORISERADE MASKINSKÖTARNA (SE PUNKT 2.2.1) HA LÄST OCH FÖRSTÅTT ALLA DELAR AV DEN HÄR MANUALEN.

Denna manual med bruks- och underhållsvisningar har utarbetats enligt de bestämmelser som avses i maskindirektivet 2006/42/EG för att säkerställa att innehållet är korrekt och lätt förståeligt för de auktoriserade maskinskötare som har i uppdrag att använda och underhålla den här maskinen. Skulle det vara så att ovannämnda maskinskötare stöter på någonting oförståeligt under läsningen ska de omedelbart vända sig till tillverkaren för att få korrekta förklaringar och ytterligare information, så att en felaktig personlig tolkning som kan medföra säkerhetsrisker undviks. Denna manual måste alltid finnas tillgänglig för de auktoriserade maskinskötarna. Därför måste den alltid placeras på en väl bevakad och skyddad plats i närheten av maskinen.



DENNA MANUAL ÄR EN VÄSENTLIG DEL AV MASKINEN OCH MÅSTE SPARAS FÖR SENARE BRUK TILLS DENNA BORTSKAFFAS. DENNA MANUAL MÅSTE ALLTID VARA TILLGÄNGLIG FÖR DE ANSVARIGA MASKINSKÖTARNA OCH MÅSTE PLACERAS PÅ EN SÄKER OCH SKYDDAD PLATS I NÄRHETEN AV MASKINEN.



OM MASKINEN ÖVERGÅR I EN ANNAN ANVÄNDARERS ÄGO MÅSTE DENNA MANUAL MEDFÖLJA MASKINEN.

DENNA MANUAL MOTSVARAR DEN TEKNISKA NIVÅ SOM VAR AKTUELL NÄR MASKINEN SÅLDES OCH KAN INTE ANSES FELAKTIG BARA FÖR ATT DEN INTE INNEHÅLLER DE SENASTE RÖNEN. MANUALEN KAN UPPDATERAS VID BEHOV.

I HÄNDELSE AV FÖRLUST ELLER SLITAGE AV MANUALEN BESTÄLLS ETT NYTT EXEMPLAR FRÅN TILLVERKAREN ELLER EN AUKTORISERAD FÖRSÄLJARE. BESTÄLLNINGEN MÅSTE INNEHÅLLA UPPGIFT OM MASKINMODELL OCH DET REVISIONSNUMMERN SOM ANGES PÅ OMSLAGET.

5- ADRESSATER



Den här tekniska manualen är utslutande avsedd för auktoriserade maskinskötare som har i uppdrag att använda och underhålla maskinen enligt de särskilda tekniska och yrkesmässiga krav som måste uppfyllas för respektive åtgärd.

Symbolerna här nedan har placerats i början av ett stycke och anger vilken maskinskötare som har hand om den aktuella uppgiften.



DE AUKTORISERADE MASKINSKÖTARNA FÅR ENDAST UTFÖRA DE ÅTGÄRDER PÅ MASKINEN SOM DE HAR MOTSVARANDE SPECIALKOMPETENS FÖR.

INNAN DE AUKTORISERADE MASKINSKÖTARNA UTFÖR NÅGON ÅTGÄRD PÅ MASKINEN MÅSTE DE VARA SÄKRA PÅ ATT DE ÄR VID SINA SINNENS FULLA BRUK, BÅDE PSYKISKT OCH FYSIKT, FÖR ATT SÄKERSTÄLLA ATT SÄKERHETSVILLKOREN HELA TIDEN BEAKTAS.

ANSVARIG MASKINSKÖTARE: Detta är en maskinskötare som är minst 18 år gammal (privat användare eller arbetare), som i överensstämmelse med bestämmelserna i det aktuella landets gällande lagstiftning om hälsa och säkerhet på arbetsplatsen endast kan slå på, använda och stänga av maskinen enligt de instruktioner som ingår i denna manual, och som är iförd personlig skyddsutrustning.



INGENJÖR FÖR MEKANISKT/PNEUMATISKT UNDERHÅLL: Detta är en utbildad teknisk ingenjör som är särskilt kvalificerad för att utföra åtgärder på mekaniska/pneumatiska delar för justering, underhåll och/eller reparation, även med avaktiverade skyddsanordningar, enligt de instruktioner som ingår i denna manual eller någon annan särskild handling som har tillhandahållits speciellt för det ändamålet av tillverkaren, och som är iförd personlig skyddsutrustning.



INGENJÖR FÖR ELEKTRISKT UNDERHÅLL: Detta är en utbildad teknisk ingenjör som är särskilt kvalificerad för att utföra åtgärder på elektriska anordningar för justering, underhåll och/eller reparation, även under spänning och med avaktiverade skyddsanordningar, enligt de instruktioner som ingår i denna manual eller någon annan särskild handling som har tillhandahållits speciellt för det ändamålet av tillverkaren, och som är iförd personlig skyddsutrustning.



FÖRETAGETS SÄKERHETSCHEF: Detta är en kvalificerad teknisk ingenjör som har utsetts av arbetsgivaren (om maskinen används i ett företag) och som uppfyller de tekniska och yrkesmässiga krav som avses i gällande lagstiftning om arbetares säkerhet och hälsa på arbetsplatsen.



TILLVERKARENS TEKNISKA INGENJÖR: Detta är en kvalificerad teknisk ingenjör som tillhandahålls av tillverkaren och/eller en auktoriserad försäljare för att utföra de arbeten som krävs inom ramen för det tekniska stödet, samt rutinåtgärder och extra underhåll och/eller procedurer som inte beskrivs i den här manualen vilka kräver särskilda kunskaper om maskinen, och som är iförd personlig skyddsutrustning.

6- MASKIN I AVSTÄNGT TILLSTÄND



Innan någon typ av underhålls- och/eller justeringsåtgärd utförs på maskinen är det absolut nödvändigt att tömma behållaren (inget tryck), bryta strömförsörjningen och kontrollera att maskinen verkligen har stannat och inte plötsligt kan slås på (PÅ-/AV-brytaren ska stå i läge "AV (0)" och strömledaren ska ha dragits ut ur uttaget och ligga intill i maskinen).

7- GARANTI

- 1) GARANTIFÖRKLARING: Tillverkaren åtar sig gentemot köparen att ersätta, reparera eller på annat sätt åtgärda fel på maskinen om brister i överensstämmelse äventyrar en korrekt användning och drift av maskinen, endast i de fall sådana brister faller under tillverkarens faktiska ansvar. Tillverkaren förbehåller sig rätten att välja den bästa lösningen för att återställa maskinens överensstämmelse inom en rimlig tid.
- 2) KÖPARE: Köparen kallas "konsument" när köpet görs av en enskild person som handlar för ändamål som ligger utanför hans/hennes närings- eller yrkesverksamhet. Köparen kallas "näringsidkare" eller "företag" när köpet görs av en näringsidkare eller ett företag som handlar för ändamål som har samband med hans/hennes/företagets affärs- eller yrkesverksamhet.
- 3) PERIODER: Tillverkaren är ansvarig om bristen i överensstämmelse uppkommer inom nedanstående perioder från köpdatumet:
24 månader om köpet har gjorts av en "konsument" enligt beskrivningen i punkt 2.
12 månader om köpet har gjorts av en "näringsidkare" eller ett "företag" enligt beskrivningen i punkt 2.
- 4) GILTIGHET: Garantin är giltig om köparen meddelar bristen i överensstämmelse till tillverkaren inom två månader från den dag då bristen uppmärksammades för första gången. Ett sådant meddelande måste lämnas tillsammans med en giltig köpehandling (kassavitto eller faktura).
- 5) UPPHÖRANDE: Garantin slutar gälla om köparen använder maskinen på ett olämpligt sätt och/eller på ett sätt som inte motsvarar de bruks- och underhållsanvisningar som tillhandahålls av tillverkaren, eller om bristen i överensstämmelse har orsakats av köparens brist på kompetens eller av en slump.
- 6) ANSVAR: Tillverkaren kan inte göras ansvarig för någon förpliktelse i samband med något skadestånd som köparen kan komma att krävas på till följd av produktionsbortfall eller minskad produktion på grund av möjliga brister i överensstämmelse.
- 7) KOSTNADER: Kostnaderna i samband med det arbete och material som behövs för att återställa maskinens överensstämmelse står tillverkaren för. Kostnader och leveransvillkor ska avtalas med den auktoriserade försäljaren.

8- EXKLUSIVA RÄTTIGHETER

De exklusiva rättigheterna till denna manual med bruks- och underhållsinstruktioner tillhör tillverkaren. Ingen del av denna manual får med någon som helst reproduktionsmetod reproduceras och spridas (helt eller delvis) utan tillverkarens skriftliga tillstånd. Alla angivna varumärken tillhör respektive ägare.

9- ANVÄNDNINGÄNDAMÅL

ANVÄNDNINGSSOMRÅDE	Inom industri, handverk och den civila sektorn.
ANVÄNDNINGSPLOTS	Platser inomhus och utomhus (under förutsättning att maskinen inte utsätts för atmosfärisk påverkan) som är tillräckligt upplysta och ventilerade, med en lufttemperatur och fuktighetsvärden som motsvarar vad som anges i punkt 2. De ska vara lämpliga enligt de lagliga bestämmelser om säkerhet och hälsa på arbetsplatsen som gäller i det land där maskinen används. Maskinen måste ställas på en yta som säkerställer att den står stadigt med hänsyn till dess totala vikt och mått (se punkt 2). OBSERVERA! MASKINEN MÅSTE HÅLLAS UTOM RÄCKHÅLL FÖR BARN.
AVSEDD ANVÄNDNING	Kompression av luft (utan olja) för drift av lämpliga tryckluftsvärktyg som motsvarar kraven i gällande lagstiftning (t.ex. pistoler för blåsning, uppumpning, tvättning, målning eller sandbläsning; skruvverktyg; punktsvetsar, nihammare eller smörjkoppar).
MASKINSKÖTARE MED ANSVAR FÖR DRIFTEN	En auktoriserad maskinskötare som möter de yrkesmässiga krav som beskrivs i punkt 5.

10- ANVÄNDNINGSGRÄNSER

Den här maskinen har utformats och tillverkats endast för den avsedda användning som beskrivs i punkt 9. För att hela tiden säkerställa de ansvariga maskinskötarnas säkerhet och själva maskinens effektivitet är all annan användning och hantering absolut förbjudna.



DET ÄR STRÄNGT FÖRBJUDET ATT TA MASKINEN I DRIFT I MILJÖER MED POTENTIellt EXPLOSIV ATMOSFÄR OCH/ELLER I NÄRVARO AV BRÄNNBART DAMM (T.EX. TRÄDAMM, MJÖL, SOCKER OCH MELLANPRODUKTER).

BEGRÄNSNINGAR I ANVÄNDNINGEN: DET ÄR STRÄNGT FÖRBJUDET ATT ANVÄNDA MASKINEN FÖR OLÄMPLIGA ÄNDAMÅL SOM AVVIKER FRÅN DEN AVSEDDA ANVÄNDNINGEN (PUNKT 9).

MASKINEN MÅSTE HÅLLAS UTOM RÄCKHÅLL FÖR BARN.

UNDER ANVÄNDNINGEN MÅSTE DET KONTROLLERAS ATT INGA PERSONER SOM INTE ÄR AUKTORISERADE KOMMER I NÄRHETEN AV MASKINEN.

DET ÄR STRÄNGT FÖRBJUDET ATT ANVÄNDA LUFTRÖR (FÖRLÄNGNINGAR), TILLBEHÖR OCH VERKTYG SOM INTE ÄR LÄMPLIGA OCH/ELLER INTE UPPFYLLER KRAVEN I GÄLLANDE LAGSTIFTNING.



DET ÄR STRÄNGT FÖRBJUDET ATT LYFTA MASKINEN MED KRANAR OCH/ELLER GAFFELTRUCKAR.

DET ÄR STRÄNGT FÖRBJUDET ATT RIKTA STRÅLAR AV KOMPRIMERAD LUFT MOT PERSONER, DJUR OCH FÖREMÅL.

DET ÄR STRÄNGT FÖRBJUDET ATT ANVÄNDA MASKINEN FÖR ATT TRANSPORTERA OCH/ELLER LYFTA PERSONER, DJUR OCH FÖREMÅL.

DET ÄR STRÄNGT FÖRBJUDET ATT SÄTTA ELLER STÄLLA SIG PÅ MASKINEN.

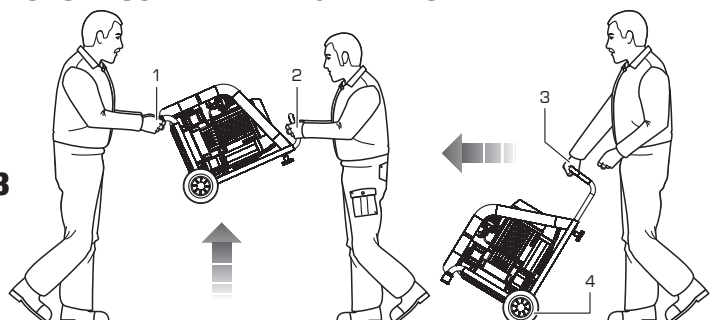
DET ÄR STRÄNGT FÖRBJUDET ATT BOGSERA MASKINEN MED NÅGON ANORDNING OCH/ELLER NÅGOT FORDON AV VILKET SLAG DE ÄN MÅ VARA.

DET ÄR STRÄNGT FÖRBJUDET ATT FLYTTA MASKINEN MANUELLT UPP ELLER NED FÖR SLUTTNINGAR MED FARLIG LUTNING.

RISK FÖR BRÄNNSKADOR VID OAVSIKTIG KONTAKT MED DET TVÅCYLINDRISKA PUMPAGGREGATET OCH ELMOTORN. OBSERVERA! DET FINNS EN RISK KVAR (SE PUNKT 21).

11- TRANSPORT OCH HANTERING AV MASKINEN

Bild. 3





Maskinen kan transporteras manuellt av två ansvariga maskinskötare som griper tag i stödfoten (bild 3, siffror 1) respektive handtaget (bild 3, siffror 2), eller hanteras manuellt av en ansvarig maskinskötare med hjälp av handtaget (bild 3, siffror 3) och hjulen (bild 3, siffror 4) som den är utrustad med.



TRANSPORTEN AV MASKINEN MÅSTE UTFÖRAS AV TVÅ ANSVARIGA MASKINSKÖTARE I ÖVERENSSTÄMMELSE MED FÖRESKRIFTERNA OM MANUELL HANTERING AV LASTER, FÖR ATT UNDVIKA OGYNSAMMA ERGONOMISKA FÖRHÅLLANDEN SOM KAN MEDFÖRA RISK FÖR RYGGSKADOR.

12- FÖRPACKNING

Tillverkaren har förpackat maskinen i en kartong som är försedd med två handtag och som innehåller en torrgående kompressor och en manual med bruks- och underhållsanvisningar.

13- UPPACKNING

När kartongen har placerats på en jämn yta på golvet där den står säkert och stabilt kan maskinen packas upp. Följ instruktionerna som anges i punkt 12 vid uttagning av maskinen ur kartongen.



DET REKOMMENDAS ATT SEPARERA DE OLIKA MATERIALEN SOM FÖRPACKNINGEN BESTÅR AV OCH AVFALLSHANTERA DESSA ENLIGT DEN LAGSTIFTNING SOM GÄLLER I DET LAND DÄR MASKINEN ANVÄNDS.

14- PLACERING



Maskinen ska användas på en arbetsplats med de egenskaper som beskrivs i punkt 2. Den ska placeras på ett jämnt golv där den står stabilt med hänsyn till dess mått och totala vikt (punkt 2).



FÖR ATT GE DE AUKTORISERADE MASKINSKÖTARNA SÄKRA PLATSER ATT ARBETA PÅ, FÖRESLÅS DET ATT HÅLLA ETT AVSTÅND PÅ MINST EN METER FRÅN ANDRA FÖREMÅL OCH/ELLER HINDER.

15- FÖRVARING



Om maskinen inte används under en längre tid måste den förvaras på en säker plats med lämplig temperatur och fuktighet, och den måste skyddas mot damm. Innan maskinen ställs undan rekommenderas det att tappa av condensatet ur luftbehållaren.

16- ELANSLUTNINGAR



Maskinen kan anslutas till elnätet genom att sätta in stickkontakten i ett lämpligt uttag.

ELNÄTET SOM MASKINEN ANSLUTS TILL MÅSTE UPPFYLLA DE KRAV SOM AVSES I DEN LAGSTIFTNING SOM GÄLLER I DET LAND DÄR MASKINEN ANVÄNDS. DET MÅSTE MOTSVARA DE TEKNISKA EGENSKAPER SOM ANGES I PUNKT 2 OCH VARA FÖRSETT MED LÄMPLIG JORDNINGSTRUSTNING.



ALLT ELEKTRISKT MATERIAL SOM ANVÄNDS FÖR ANSLUTNINGEN MÅSTA PASSA FÖR ANVÄNDNINGEN, VARA CE-MÄRKT OM DET OMFATTAS AV LÅGSPÄNNINGSDIREKTIVET 2006/95/EG OCH UPPFYLLA KRAVEN SOM FASTSTÄLLS I DEN LAGSTIFTNING SOM GÄLLER I DET LAND DÄR MASKINEN ANVÄNDS.

OM OVANNÄMMDA VARNINGAR INTE FÖLJS KAN DET LEDA TILL SKADOR PÅ MASKINENS ELEKTRISKA UTRUSTNING SOM INTE KAN REPARERAS, OCH TILL ATT GARANTIN UPPHÖR ATT GÄLLA.



TILLVERKARNA FRÅNSÄGER SIG ALLT ANSVAR FÖR FUNKTIONSSTÖRNINGAR ELLER FEL PÅ MASKINEN SOM BEROR PÅ PLÖTSLIGA SPÄNNINGSÄNDRINGAR SOM ÖVERSKRIDER DE TOLERANSER SOM FÖRDELNINGSENHETEN MEDGER (SPÄNNING $\pm 10\%$ - FREKVENNS $\pm 2\%$).

SKULLE DET VARA NÖDVÄNDIGT MÅSTE MASKINEN ANSLUTAS UTESLUTANDE TILL GENERATORAGGREGAT MED EN STÖRRE EFFEKT ÄN DEN INSTALLERADE ELEN (SE PUNKT 2) FÖR ATT STÖDJA ABSORPTIONSTOPPEN VID START.

17- ANSLUTNING AV LUFTRÖR (FÖRLÄNGNING) OCH VERKTYG



- 1) Anslut verktyget till luftröret (förlängning).
- 2) Anslut luftröret (förlängning) till maskinens snabbkran för luftuttag (bild 1, siffror 14).

DET ÄR STRÄNGT FÖRBJUDET ATT ANVÄNDA LUFTRÖR (FÖRLÄNGNINGAR), TILLBEHÖR OCH VERKTYG SOM INTE ÄR LÄMPLIGA OCH/ELLER INTE UPPFYLLER KRAVEN I GÄLLANDE LAGSTIFTNING.



DET ÄR OBLIGATORISKT ATT ANVÄNDA LUFTRÖR (FÖRLÄNGNINGAR), TILLBEHÖR OCH VERKTYG SOM MOTSVARAR BESTÄMMELSERNA I BRUKS- OCH UNDERHÅLLSANVISNINGARNA FRÅN RESPEKTIVE TILLVERKARE.

TILLVERKAREN FRÅNSÄGER SIG ALLT ANSVAR FÖR SKADOR PÅ PERSONER, DJUR OCH FÖREMÅL SOM BEROR PÅ ATT OVAN BESKRIVNA VARNINGAR INTE HAR FÖLJTS.

18- SÄKERHETSANORDNINGAR

- 1) SÄKERHETSVENTIL (bild 1, siffror 4): Detta är en certifierad säkerhetsventil (kalibrerad till 10,5 bar) som är installerad på tryckluftsanordningen under tryckströmbrytaren. Den används för att släppa ut övertrycket i anläggningen när tryckströmbrytaren inte fungerar på grund av möjliga funktionsstörningar. Om säkerhetsventilen löser ut måste maskinskötaren stänga av maskinen och de underhållsansvariga tekniska ingenjörerna måste åtgärda störningen.
- 2) TRYCKSTRÖMBRYTARE (bild 1, siffror 8): Detta är en elektro-pneumatisk anordning (kalibrerad till minst 7 bar och maximalt 10 bar) som är installerad på tryckluftsanordningen. Den används för att beordra automatisk start av maskinen när drifttrycket sjunker under 7 bar, och automatiskt stopp när drifttrycket når 10 bar.
- 3) FAST SKYDDSGALLER TILL KYLFLÄKTEN (bild 1, siffror 17): Detta är ett påmonterat skydd gjort av ett galler i ett plastmaterial, som är fäst med skruvar på det tvåcylindriga pumpaggregatet. Det är till för att förhindra oavsiktlig kontakt med den rörliga kylfläkten.
- 4) ÅTERSTÄLLBAR TERMISK STRÖMBRYTARE (bild 1, siffror 12): Detta är ett termiskt skydd som är installerat på den elektriska anläggningen och som stoppar motorn i händelse av överbelastning och/eller kortslutning. Återställningen kan göras med hjälp av tillhörande tryckknapp (se bild 7, siffror 1).
- 5) MÅTARE FÖR TRYCKET I BEHÅLLAREN (bild 1, siffror 6): Detta är en mätanordning som är installerad på maskinens behållare. Den visar det aktuella trycket på den komprimerade luften i behållaren.
- 6) TRYCKMÅTARE VID UTGÅNGEN (bild 1, siffror 7): Detta är en mätanordning som är installerad på maskinens tryckluftsanordning vid snabbkranen för luftuttag. Den visar det utgående trycket, vilket kan justeras med tillhörande tryckregulator (0 ÷ 10 bar) (bild 1, siffror 13).



DET ÄR STRÄNGT FÖRBJUDET ATT MANIPULERA, KOPPLA UR OCH/ELLER TA BORT NÅGON AV SÄKERHETSANORDNINGARNA SOM FINNS PÅ MASKINEN.

DET ÄR STRÄNGT FÖRBJUDET ATT ERSÄTTA NÅGON SÄKERHETSANORDNING ELLER NÅGON AV DERAS KOMPONENTER MED RESERVDELAR SOM INTE ÄR ORIGINALTILLVERKADE.

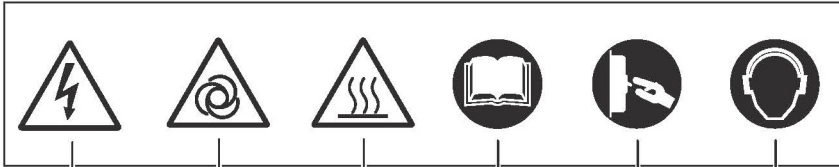
DET ÄR OBLIGATORISKT ATT KONTINUERLIGT KONTROLLERA ATT ALLA SÄKERHETSANORDNINGAR SOM ÄR INSTALLERADE PÅ MASKINEN FUNGERAR ORDENTLIGT.

DET ÄR OBLIGATORISKT ATT OMEDELBART BYTA UT SÄKERHETSANORDNINGAR SOM INTE FUNGERAR ORDENTLIGT OCH/ELLER HAR SKADATS.

19- SÄKERHETSMÄRKNING

Säkerhetsmärkena som används utgörs av självhäftande märken som sitter på utsidan av maskinen (bild 4).

Symbolernas betydelse:



Fara:
strömförsörjning

Fara:
automatisk
start.

Fara:
hög temperatur.

Läs instruk-
tionerna
noggrant

Det är obligatoriskt
att bryta ström-
försörjningen

Det är obliga-
toriskt att
skydda hörseln



DET ÄR OBLIGATORISKT ATT HÅLLA SÄKERHETSSYMBOLERNA RENA FÖR ATT SÄKERSTÄLLA ATT DE ÄR VÄL SYNLIGA.

DET ÄR ABSOLUT FÖRBJUDET ATT TA BORT OCH/ELLER SKADA SÄKERHETSSYMBOLERNA SOM SITTE PÅ MASKINEN.

DET ÄR OBLIGATORISKT ATT ERSÄTTA UTSLITNA SÄKERHETSSYMBOLER MED NYA, SOM KAN BESTÄLLAS FRÅN TILLVERKAREN OCH/ELLER EN AUKTORISERAD FÖRSÄLJARE.

20- PERSONLIG SKYDDSUTRUSTNING



DE AUKTORISERADE MASKINSKÖTARNA FÅR INTE BÄRA KLÄDER OCH ACCESSOARER SOM KAN TRASSLA IN SIG I MASKINEN.

DET ÄR OBLIGATORISKT ATT ANVÄNDA DEN PERSONLIGA SKYDDSUTRUSTNING SOM TILLVERKAREN REKOMMENDERAR.

DE AUKTORISERADE MASKINSKÖTARNA MÅSTE ANVÄNDA DEN PERSONLIGA SKYDDSUTRUSTNING SOM REKOMMENDERAS AV TILLVERKARNA AV DE VERKTYG SOM ANVÄNDS, OCH SOM ÄR AVSEDD FÖR RESPEKTIVE TYP AV BEARBETNING.

SYMBOL	OBLIGATORISK SKYDDSUTRUSTNING	TYP AV ANVÄNDNING
	<ul style="list-style-type: none"> Handskydd (skyddshandskar mot värme) 	Om underhållsåtgärder måste utföras på elmotorn och det tvåcylindriga pumpaggregatet innan dessa har kallnat.
	<ul style="list-style-type: none"> Hörselskydd (hörselskyddskåpa) 	Under alla bearbetningsfaser.
	<ul style="list-style-type: none"> Fotskydd (skor med förstärkt tåhätta) 	Vid transport av maskinen.

21- KVARVARANDE RISKER

De auktoriserade maskinskötarna ska vara medvetna om att det fortfarande finns kvar potentiella risker, trots att tillverkaren har vidtagit alla möjliga tekniska försiktighetsåtgärder vid tillverkningen för att göra maskinen säker.

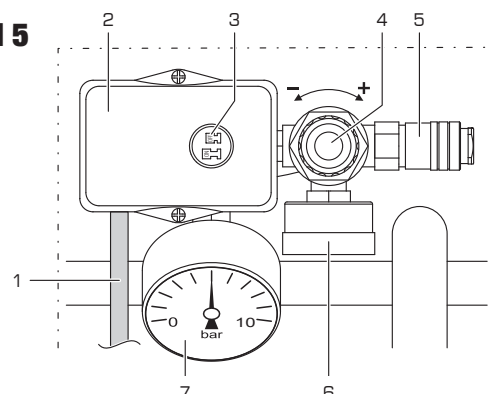
KVARVARANDE RISK	Risk för brännskador vid oavsiktlig kontakt med det tvåcylindriga pumpaggregatet och elmotorn.
UTSATTHET	Låg och tillfällig. Maskinskötaren kan utsättas för risken om han eller hon beslutar att utföra en felaktig handling som är förbjuden och inte rimligen förutsebar.
SKADOR	Lindrigen skador (vanligtvis reversibla).
VIDTAGNA ÅTGÄRDER	Säkerhetsmärken (se punkt 19). / Skyldighet att använda personlig skyddsutrustning (se punkt 20) och/eller vänta tills maskinen har kallnat.

22- MANÖVERANORDNINGAR

De visas i bild 5.

- 1) Strömsladd
- 2) Tryckströmbrytare
- 3) PÅ-/AV-brytare
- 4) Tryckregulator vid utgången
- 5) Snabbkran för luftuttag
- 6) Tryckmätare vid utgången
- 7) Mätare för trycket i behållaren

Bild 5



23- KONTROLLER FÖRE PÅSLAGNING



INNAN MASKINEN SLÅS PÅ MÅSTE DE AUKTORISERADE MASKINSKÖTARNA GENOMFÖRA FÖLJANDE KONTROLLER:

- 1) Kontrollera att det inte finns någon person som inte är auktoriserad i närheten av maskinen.
- 2) Kontrollera att säkerhetsanordningarna är hela, ordentligt installerade och att de fungerar (se punkt 18).
- 3) Kontrollera att maskinen har placerats på rätt sätt (se punkt 14).
- 4) Kontrollera att PÅ-/AV-brytaren eller väljaren står i läge "AV (0)" (se punkt 22).
- 5) Kontrollera att tappventilen för kondensat är stängd (bild 1, siffra 5).
- 6) Använd den obligatoriska personliga skyddsutrustningen (se punkt 20).
- 7) Se till att du har läst och förstått alla delar av bruks- och underhållsanvisningarna.

24- PÅSLAGNING AV MASKINEN



DE AUKTORISERADE MASKINSKÖTARNA FÅR INTE SLÅ PÅ MASKINEN FÖRRÄN DE HAR GENOMFÖRT DE KONTROLLER SOM BESKRIVS I PUNKT 23. INNAN DE AUKTORISERADE MASKINSKÖTARNA ANVÄNDER DEN HÄR MASKINEN MÅSTE DE HA LÄST OCH FÖRSTÅTT ALLA DELAR AV DEN HÄR MANUALEN. UNDER ANVÄNDNINGEN MÅSTE DET KONTROLLERAS ATT INGA PERSONER SOM INTE ÄR AUKTORISERADE KOMMER I NÄRHETEN AV MASKINEN. DE AUKTORISERADE MASKINSKÖTARNA FÅR INTE LÄMNA MASKINEN OBEVAKAD UNDER DRIFT OCH UNDER PÅGÅENDE UNDERHÅLLSÅTGÄRDER. RISK FÖR BRÄNNSKADOR VID OAVSIKTLIG KONTAKT MED DET TVÅCYLINDRISKA PUMPAGGREGATET OCH ELMOTORN. OBSERVERA! DET FINNS EN RISK KVAR (SE PUNKT 21). TILLVERKAREN FRÅNSÄGER SIG ALLT ANSVAR FÖR SKADOR PÅ PERSONER, DJUR OCH FÖREMÅL SOM BEROR PÅ ATT DE NORMER OCH VARNINGAR SOM BESKRIVS I DENNA MANUAL INTE HAR FÖLJTS. TILLVERKAREN FRÅNSÄGER SIG ALLT ANSVAR FÖR DET SLUTLIGA RESULTATET AV BEARBETNINGEN, EFTERSOM DETTA ENDAST ÄR BEROENDE AV TYPEN AV VERKTYG SOM ANVÄNDS OCH DE AUKTORISERADE MASKINSKÖTARNAS YRKESKUNSKAPER.



- 1) Anslut maskinen till elnätet genom att sätta in stickkontakten (bild 5, siffra 1) i ett lämpligt uttag.
- 2) Slå på maskinen genom att ställa PÅ-/AV-brytaren (bild 5, siffra 3) i läge "PÅ (I)". (Maskinen arbetar tills det maximala driftrycket på 10 bar har nåtts och stannar sedan automatiskt.)
- 3) Justera trycket vid utgången med hjälp av tillhörande regulator (bild 5, siffra 4) i enlighet med det verktyg som används och typen av bearbetning. Kontrollera trycket på tillhörande tryckmätare (bild 5, siffra 6).



FÖR ATT UNDVIKA SKADOR PÅ MEMBRANET ÄR DET FÖRBJUDET ATT VRIDA TRYCKREGULATORN VID UTGÅNGEN (BILD 8, SIFFRA 3) UTÖVER SLAGETS SLUT.

- 4) Anslut verktyget till luftröret (förlängning).
- 5) Anslut luftröret (förlängning) till maskinens snabbkran för luftuttag (bild 5, siffra 5).



DET ÄR STRÄNGT FÖRBJUDET ATT ANVÄNDA LUFTRÖR (FÖRLÄNGNINGAR), TILLBEHÖR OCH VERKTYG SOM INTE ÄR LÄMPLIGA OCH/ELLER INTE UPPFYLLER KRAVEN I GÄLLANDE LAGSTIFTNING.

DET ÄR OBLIGATORISKT ATT ANVÄNDA LUFTRÖR (FÖRLÄNGNINGAR), TILLBEHÖR OCH VERKTYG SOM MOTSVARAR BESTÄMMELSERNA I BRUKS- OCH UNDERHÅLLSANVISNINGARNA FRÅN RESPEKTIVE TILLVERKARE.

- 6) Genomför bearbetningen (maskinen startar om automatiskt när driftrycket sjunker under 7 bar).
- 7) Stäng av maskinen enligt beskrivningen i punkt 25 när bearbetningen har slutförts.

25- AVSTÄNGNING AV MASKINEN



Vid slutet av arbetscykeln stängs maskinen av enligt följande beskrivning:

- 1) Stäng av maskinen genom att ställa PÅ-/AV-brytaren (bild 5, siffra 3) i läge "AV (0)".
- 2) Koppla bort maskinen från elnätet genom att dra ut stickkontakten (bild 5, siffra 1) ur uttaget.
- 3) Koppla från verktyget från luftröret (förlängning).
- 4) Koppla från luftröret (förlängning) från maskinens snabbkran för luftuttag (bild 5, siffra 5).
- 5) Tappa av kondensatet ur behållaren endast om arbetscykeln är slut (bild 1, siffra 5).

26- ÅTERSTÄLLNING AV UTLÖST TERMISKT SKYDD



Vid överbelastning av och/eller kortslutning i maskinens elektriska anläggning löser den termiska strömbrytaren ut och stoppar elmotorn. För att återställa den termiska strömbrytaren gör du så här:

- 1) Ställ PÅ-/AV-brytaren (bild 5, siffra 3) i läge "AV (0)".
- 2) Tryck in tryckknappen för återställning av det termiska skyddet (bild 7, siffra 1).
- 3) Vänta några minuter innan du startar om maskinen.



OM MASKINEN INTE STARTAR EFTER DET ATT ÅTERSTÄLLNINGEN HAR GENOMFÖRTS, MÅSTE DEN ANSVARIGA MASKINSKÖTAREN TILLKALLA DE UNDERHÅLLSANSVARIGA TEKNISKA INGENJÖRERNA OCH/ELLER DEN AUKTORISERADE FÖRSÄLJAREN FÖR AVHJÄLPANDE.

27- NÖDSTOPP



Maskinen kan stängas av genom att ställa PÅ-/AV-brytaren (bild 5, siffror 3) i läge "AV (0)". För att undvika akuta eller hotande farosituationer, måste de auktoriserade maskinskötarna genomföra följande handlingar:

- 1) STÄLLA PÅ-/AV-BRYTAREN (BILD 5, SIFFRA 3) I LÄGE "AV (0)" I RÄTT TID.
- 2) OMEDELBART INFORMERA SÄKERHETSCHEFEN OM NÖDSITUATIONEN (OM MASKINEN ANVÄNDS I ETT FÖRETAG).

28- PÅSLAGNING EFTER NÖDSTOPP



Slå på maskinen enligt beskrivningen i punkt 25 endast och uteslutande efter att ha avlägsnat orsakerna till nödsituationen och noggrant ha fastställt att dessa inte har lett till några skador och/eller avvikelser i maskinen, och med säkerhetschefens samtycke (om maskinen används i ett företag).

29- RUTINMÄSSIGT UNDERHÅLL



Detta omfattar alla olika typer av åtgärder som utförs av den auktoriserade underhållsansvariga tekniska ingenjören med fastlagda intervall, för att upprätthålla maskinens riktiga användning och lämpliga driftförhållanden (t.ex. justeringar, visuella kontroller, rengöring av luftfilter osv.).



DE AUKTORISERADE MASKINSKÖTARNA FÅR ENDAST UTFÖRA DE ARBETEN SOM FALLER INOM DERAS SÄRSKILDA KOMPETENSOMRÅDE (SE PUNKT 5) OCH SOM FÖRETAGETS SÄKERHETSCHEF HAR GETT SITT SAMTYCKE TILL (OM MASKINEN ANVÄNDS I ETT FÖRETAG).

DE AUKTORISERADE MASKINSKÖTARNA FÅR INTE LÄMNA MASKINEN OBEVAKAD UNDER DESS DRIFT OCH UNDER PÅGÅENDE UNDERHÅLLSÅTGÄRDER.

TABELL FÖR RUTINMÄSSIGT UNDERHÅLL

HUR OFTA	MASKINDEL	UNDERHÅLLSÅTGÄRD
VARJE DAG 	Säkerhetsanordningar	Kontrollera att de är hela, ordentligt installerade och att de fungerar.
	Strömssladd och stickkontakt	Visuell kontroll med avseende på slitage.
	Behållare	Vid slutet av varje arbetscykel lutas maskinen mot golvet och kondensatet tappas av ur behållaren genom att öppna tappventilen för kondensat (bild 1, siffror 5).
VARJE VECKA 	Hjul	Kontroll av däcktryck. Pumpa upp däcken med komprimerad luft till maximalt 2,5 bar vid behov.
	Nr 2 luftfilter	Lossa skruvarna (bild 6, siffror 1). Ta av skyddet (bild 6, siffror 2). Ta ut filtret (bild 6, siffror 3) och rengör det med luft. Sätt tillbaka skyddet ordentligt. OBS! BYT UT VID TYDLIGT SLITAGE.

30- EXTRA UNDERHÅLL



Detta omfattar alla olika typer av åtgärder (t.ex. justeringar, utbyten osv.) som utförs uteslutande av tillverkarens tekniker med fastlagda intervall eller i händelse av funktionsavbrott eller slitage, för att upprätthålla maskinens riktiga användning och lämpliga driftförhållanden.



ALLA EXTRA UNDERHÅLLSÅTGÄRDER INOM RAMEN FÖR DET TEKNISKA STÖDET MÅSTE BESTÄLLAS FRÅN TILLVERKAREN ELLER DEN AUKTORISERADE FÖRSÄLJAREN.

31- DEMOLERING



Om maskinen är förstörd ska bestämmelserna i gällande lagstiftning följas.
Sortera delarna som maskinen består av efter de olika konstruktionsmaterialerna (plast, koppar, järn osv.).

32- RESERVDELAR



ORIGINALTILLVERKADE RESERVDELAR FÖR EVENTUELLA UTBYTEN SKA UTESLUTANDE BESTÄLLAS FRÅN TILLVERKAREN ELLER DEN AUKTORISERADE FÖRSÄLJAREN.
DET ÄR STRÄNGT FÖRBUDET ATT ERSÄTTA NÅGON DEL AV MASKINEN MED RESERVDELAR SOM INTE ÄR ORIGINALTILLVERKADE.


33- FEL – ORSAKER – FELSÖKNING



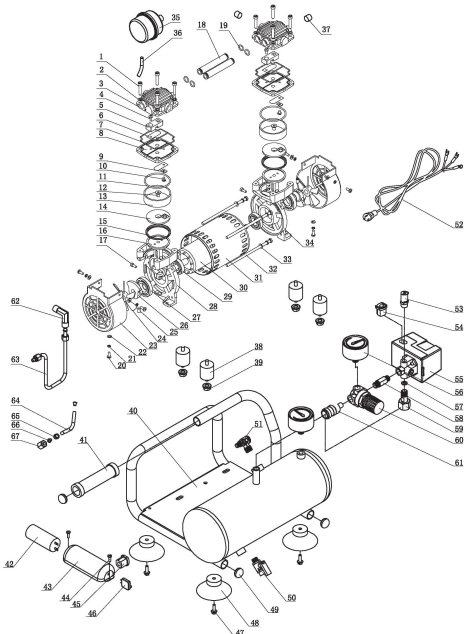
I nedanstående tabell anges en rad situationer som kan inträffa under maskinens användning.



DE AUKTORISERADE MASKINSKÖTARNA FÅR ENDAST UTFÖRA DE ARBETEN SOM FALLER INOM DERAS SÄRSKILDA KOMPETENSOMRÅDE (SE PUNKT 2.2.1) OCH SOM FÖRETAGETS SÄKERHETSCHEF HAR GETT SITT SAMTYCKE TILL (OM MASKINEN ANVÄNDS I ETT FÖRETAG).

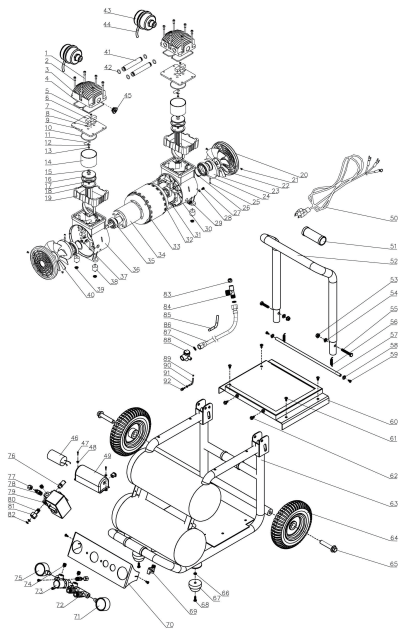
FEL	ORSAKER	FELSÖKNING
Maskinen går inte igång eller stannar och startar inte om.	Strömförsörjning saknas.	<ol style="list-style-type: none"> 1) Se till att PÅ-/AV-brytaren är i läge "PÅ (I)". 2) Kontrollera att strömladdens stickkontakt fungerar och att den sitter ordentligt i ett lämpligt uttag. 3) Kontrollera att eventuella förlängningar och eluttaget fungerar. 4) Kontrollera att huvudströmbrytaren till elnätet fungerar och att den står i läge "PÅ (I)".
	Utlösning av den återställbara termiska strömbrytaren på grund av överbelastning och/eller kortslutning.	Följ proceduren som beskrivs i punkt 26.
Maskinen startar flera gånger utan att verktyget används.	Läckor i luftröret, verktyget eller tryckluftsanordningen.	<ol style="list-style-type: none"> 1) Kontrollera att tryckluftsanordningen inte har skadats. 2) Kontrollera att luftröret och verktyget är hela och riktigt anslutna.
Det kommer inte ut någon luft ur verktyget.	Behållaren står inte under tryck.	Slå på maskinen och vänta tills behållaren har fyllts. Kontrollera trycket på respektive tryckmätare.
	Felaktig inställning av det utgående trycket.	Kontrollera att värdet som visas på tryckmätaren vid utgången är större än 0 (noll) bar.
	Verktyget är skadat.	Kontrollera verktyget med avseende på helhet och effektivitet.
Tryckminskning i luftbehållaren.	Läckor i luftröret, verktyget eller tryckluftsanordningen.	<ol style="list-style-type: none"> 1) Kontrollera att tryckluftsanordningen är hel. 2) Kontrollera att luftröret och verktyget är hela. 3) Kontrollera att luftröret är riktigt anslutet till maskinen och verktyget till luftröret. 4) Se till att tappventilen för kondensat är riktigt stängd.
Utlösning av säkerhetsventilen.	Tryckströmbrytaren är defekt.	 Vänd dig till en auktoriserad försäljare.
Det läcker luft ur ventilen till tryckströmbrytaren. Maskinen stannar.	Kontrollera om ventilen är smutsig eller sliten.	
Maskinen vibrerar och/eller ger ifrån sig mycket ljud.	Mekaniskt brott.	
Ofta förekommande starter och lågt utbyte.	Luffiltren är smutsiga.	Rengör filtren (se punkt 29).

1- KOMPONENTTIEN NIMITYS



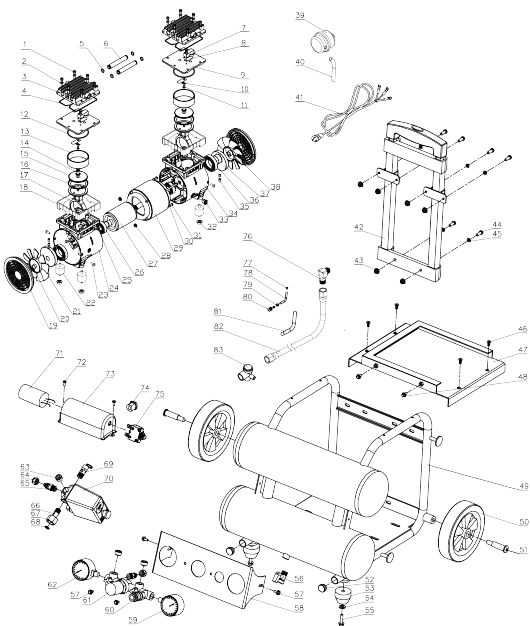
AC4504

- | | | | |
|---------------------------|---------------------|-----------------------|-----------------------|
| 01) Screw | 18) Gas-guide Tube | 35) Air Filter | 52) Power Cord |
| 02) Cushion | 19) O-ring | 36) Hush Pipe | 53) Safty Valve |
| 03) Cylinder Head | 20) Screw | 37) Choke plug | 54) Power Cord Buckle |
| 04) Screw | 21) Cushion | 38) Shock Pad | 55) Pressure Switch |
| 05) Limit Range Implement | 22) Flat washer | 39) Nut | 56) Pressure Gauge |
| 06) Valve Block | 23) Wind Scooper | 40) Horizontal Tank | 57) Gasket |
| 07) Seal | 24) Fan | 41) Handle Sleeve | 58) Double Joint |
| 08) Valve Board | 25) Screw | 42) Capacity | 59) Flexible Joint |
| 09) Valve plate clamp | 26) Crank | 43) Capacity Cover | 60) Regulator Valve |
| 10) Screw | 27) Bearing | 44) Screw | 61) Quick Connect |
| 11) O-Ring | 28) Left Crankcase | 45) Power Cord Buckle | 62) Elbow |
| 12) Screw | 29) Bearing | 46) Protector | 63) Exhaust Pipe(AI) |
| 13) Cylinder | 30) Motor Rator | 47) Scew | 64) Unloading Pipe |
| 14) Valve Board | 31) Motor Staoitr | 48) Foot Pad | 65) Cutting Sleeve |
| 15) Piston Cup | 32) Bolt | 49) Apertural Plug | 66) Lining |
| 16) Connecting Rod | 33) Flat washer | 50) Ball Valve | 67) Nut |
| 17) Screw | 34) Right Crankcase | 51) Check Valve | |



AC24016

- | | | | |
|----------------------------|--|----------------------|------------------------|
| 01) Screw | 24) Bearing | 47) Screw | 70) Instrument panel |
| 02) Cushion | 25) Screw | 48) Flat washer | 71) Pressure Gauge |
| 03) Cylinder Head | 26) circlip for shaft | 49) Capacity Cover | 72) Quick Connect |
| 04) Seal | 27) Screw | 50) Power Cord | 73) Regulator Valve |
| 05) Screw | 28) Serrated Lock Washers Internal Teeth | 51) Handle Sleeve | 74) Screw |
| 06) Limit Range Implement | 29) Power Cord Buckle | 52) Handle | 75) Pressure Gauge |
| 07) Valve Block | 30) Right Crankcase | 53) Nut | 76) Safty Valve |
| 08) Valve Block | 31) Cushion | 54) Flat washer | 77) Nut |
| 09) Valve Board | 32) Bolt | 55) Bolt | 78) straight joint |
| 10) O-Ring | 33) Motor Staoitr | 56) Extension Spring | 79) Pressure Switch |
| 11) Valve Block | 34) Motor Rator | 57) Hand Rod | 80) Flexible Joint |
| 12) Valve plate clamp | 35) Bearing | 58) Flat washer | 81) Flexible Joint Nut |
| 13) Screw | 36) Left Crankcase | 59) Screw | 82) Gasket |
| 14) Cylinder | 37) Nut | 60) Tool Plate | 83) Soft Starter |
| 15) Screw | 38) Shock Pad | 61) Screw | 84) Three-way |
| 16) Valve Board | 39) Nut | 62) Bolt | 85) Nylon Pipe |
| 17) Piston Cup | 40) B Fan | 63) Tank | 86) Exhaust Pipe |
| 18) Connecting Rod | 41) Gas-guide Tube | 64) Foot Wheel | 87) Seal cushion |
| 19) Heightening the lining | 42) O-Ring | 65) Wheel shaft | 88) Check Valve |
| 20) Wind Scooper | 43) Air Filter | 66) Flat washer | 89) Lining |
| 21) Screw | 44) Hush Pipe | 67) Foot Pad | 90) Unloading Pipe |
| 22) A Fan | 45) Plug | 68) Bolt | 91) Cutting Sleeve |
| 23) Crank | 46) Capacity | 69) Ball Valve | 92) Nut |



AC12810

- | | | | |
|-----------------------------|-----------------------|---------------------------|------------------------|
| 01) Screw | 23) Screw | 45) Washer | 67) Flexible Joint Nut |
| 02) Flat washer | 24) Left Crankcase | 46) Screw | 68) Gasket |
| 03) Cylinder Head | 25) Screw | 47) Tool Board | 69) Safty Valve |
| 04) Cylinder sealing gasket | 26) Bearing | 48) Bolt | 70) Pressure Switch |
| 05) O-Ring | 27) Motor Rator | 49) Horizontal Two Tank | 71) Capacity |
| 06) Gas-Guide Tube | 28) Nut | 50) Foot Wheel | 72) Screw |
| 07) Limit Range Implement | 29) Motor Staoitr | 51) Wheel Shaft | 73) Capacity Cover |
| 08) Valve Block | 30) Cushion | 52) Plug (rubber) | 74) Power Cord Buckle |
| 09) Valve Board | 31) Bolt | 53) Foot Pad | 75) Protector |
| 10) Valve plate clamp | 32) Nut | 54) Washer | 76) Elbow |
| 11) Screw | 33) Power Cord Buckle | 55) Bolt | 77) Lining |
| 12) O-Ring | 34) Right Crankcase | 56) Drain Valve | 78) Nylon Pipe |
| 13) Cylinder | 35) Screw | 57) Bolt | 79) Cutting Sleeve |
| 14) Screw | 36) Bearing | 58) Instrument Panel | 80) Nut |
| 15) Valve Board | 37) Crank | 59) Pressure Gauge | 81) Nylon Pipe |
| 16) Piston Cup | 38) A Fan | 60) Quick Connect | 82) Exhaust Pipe |
| 17) Connecting Rod | 39) Air Filter | 61) Regulator Valve Stand | 83) Check Valve |
| 18) Heightening the lining | 40) Nylon Pipe | 62) Pressure Gauge | |
| 19) Wind Scooper | 41) Power Cord | 63) Screw | |
| 20) Circlip for Shaft | 42) Handle Pull Rod | 64) Nut | |
| 21) B Fan | 43) Nut | 65) Straight connection | |
| 22) Shock Pad | 44) Screw | 66) Flexible Joint | |



2- TEKNISET TIEDOT

AC4504

Jännite/taajuus	V / Hz	230 / 50
Nimellisteho	kW	0.24
Maks. käyttöpain	bar	8
Vahvistettu paineen melutaso (Dir. 2000/14/CE)	dB	58
Moottorin akselin pyörimisnopeus	rpm	1420
Säiliön tilavuus	litres	4
Tuotto (imu / tuotettu)	l/min	45 / 28
Ympäristöilmanlämpötila / kosteus	°C / %	5 - 40 / 5 - 95
Kokonaispaino	kg	10.5
Mitat (LxPxK)	mm	355x335x300

AC24016

Jännite/taajuus	V / Hz	230 / 50
Nimellisteho	kW	1.5
Maks. käyttöpain	bar	9
Vahvistettu paineen melutaso (Dir. 2000/14/CE)	dB	72
Moottorin akselin pyörimisnopeus	rpm	1400
Säiliön tilavuus	litres	16
Tuotto (imu / tuotettu)	l/min	240 / 170
Ympäristöilmanlämpötila / kosteus	°C / %	5 - 40 / 5 - 95
Kokonaispaino	kg	42.5
Mitat (LxPxK)	mm	720x510x500

AC12810

Jännite/taajuus	V / Hz	230 / 50
Nimellisteho	kW	0.75
Maks. käyttöpain	bar	9
Vahvistettu paineen melutaso (Dir. 2000/14/CE)	dB	65
Moottorin akselin pyörimisnopeus	rpm	1420
Säiliön tilavuus	litres	10
Tuotto (imu / tuotettu)	l/min	128/80
Ympäristöilmanlämpötila / kosteus	°C / %	5 - 40 / 5 - 95
Kokonaispaino	kg	25.8
Mitat (LxPxK)	mm	540x465x495

3- CE-MERKINTÄ JA VARMISTETUN ÄÄNENPAINETASON KILPI

CE-merkintä (KUVA 2 - Viite. 1) merkitsee, että kone noudattaa olennaisia konedirektiivin 2006/42/CE mukaisia turvallisuus - ja terveysvaatimuksia. Tämä kilpi (KUVA 2 - Viite. 2) merkitsee, että kone noudattaa olennaisia konedirektiivin 2000/14/CE mukaisia turvallisuus - ja terveysvaatimuksia. Ne esitetään tarralla varustettuna polyesterikilvessä lämpösiirretyllä mustalla leimalla ja on kiinnitetty moottoripaneeliin.

4- KÄYTTÖOHJEEN TÄRKEYS



ENNEN KONEEN KÄYTTÖÄ, ON KOULUTETUN KÄYTTÄJÄN (KATSO KOHTA. 2.2.1) LUETTAVA JA YMMÄRRETTÄVÄ KOKO KÄYTTÖOHJE.

Tämä "Käyttö- ja ylläpito-ohje" on luotu "Konedirektiivin" 2006/42/EC mukaisesti helpon ja oikean ymmärtämisen varmentamiseksi käyttäjälle, joka on vastuussa koneen käytöstä ja ylläpidosta. Jos kyseiset käyttäjät havaitsevat kohdan jota he eivät ymmärrä, tulee heidän ottaa yhteyttä valmistajaan välittömästi kyseisen kohdan selvittämiseksi henkilököhtaisten tulkintojen välttämiseksi, jotka voivat johtaa tapaturmaan. Käyttöohjeen on aina oltava käytettävissä. Siksi sitä on aina säilytettävä koneen läheisyydessä.



TÄMÄ KÄYTTÖOHJE ON OSA KONETTA JA SE ON SÄILYTETTÄVÄ TULEVIA TARPEITA VARTEN KONEEN HÄVITTÄMISEEN SAAKKA. TÄMÄ KÄYTTÖOHJE ON PIDETTÄVÄ VASTUUSSA OLEVIEN HENKILÖIDEN KÄYTETTÄVISSÄ KONEEN LÄHISTÖLLÄ.

VALMISTAJA EI OLE VASTUUSSA HENKILÖ-, ELÄIN-, JA OMAISUUSVAHINGOISTA, JOTKA AIHEUTUVAT TÄSSÄ KÄYTTÖOHJEESSA OLEVIEN STANDARDIEN JA OHJEIDEN LAIMINLYÖNNISTÄ.

TÄMÄ KÄYTTÖOHJE ON TOIMITETTAVA YHDESSÄ KONEEN KANSSA, JOS KONE TOIMITETAAN TOISELLE KÄYTTÄJÄLLE.



TÄMÄ KÄYTTÖOHJE SISÄLTÄÄ KAIKKI KONEEN TEKNIKKAA KOSKEVAT TIEDOT MYNNIN YHTEYDESSÄ EIKÄ SITÄ VOIDA PITÄÄ VANHENTUNEENA VAIKKA UUSIA TOIMINTOJA LISÄTTÄISIIN KONEESEEN, Koska se voidaan päivittää jälleennäpäin.

JOS KÄYTTÖOHJE KADOTETAAN TAI SE ON KULUNUT, PYYDÄ UUSI KOPIO VALMISTAJALTA TAI JÄLLEENMYyjÄLTÄ, ilmoittaen koneen malli ja kannessa oleva versio.

5- KOHDEHENKILÖT

Tämä tekninen käyttöohje on tarkoitettu koneen käytöstä ja ylläpidosta vastaaville henkilöille. Alla olevat symbolit on sijoitettu kappaleiden alkuun huomautuksen ja käyttäjälle kyseistä aiheesta.



KÄYTTÄJÄT SAAVAT SUORITTA KONEESEEN VAIN HEIDÄN ERIKOISALAANSA KUULUVAT TOIMENPITEET.

ENNEN MITÄÄN TOIMENPITEITÄ, ON KÄYTTÄJIEN OLTAVA HYVÄSSÄ HENKISESSÄ JA FYSISESSÄ KUNNOSSA VAARATILANTEIDEN VÄLTÄMISEKSI.



VASTUUSSA OLEVA KÄYTTÄJÄ Käyttäjä on vähintään 18-vuotias, joka pystyy, käyttöönsä turvallisuus - ja työterveyslainsäädännön mukaisesti suorittamaan koneen käynnistämisen, käytön ja sammuttamisen tämän käyttöohjeen mukaisesti, ja käyttää suojavarusteita.



MEKANIIKAN / PNEUMATIIKAN HUOLTOHENKILÖ Koulutettu asentaja joka voi suorittaa mekaanisten / pneumaattisten osien säädön, ylläpidon ja/tai korjaukset turvalaitteiden ollessa pois käytöstä tämän käyttöohjeen tai muun valmistajan lähettämän asiakirjan ohjeiden mukaisesti, ja käyttää suojavarusteita.



SÄHKÖMIES: Koulutettu asentaja joka voi suorittaa sähkölaitteiden säädön, ylläpidon ja/tai korjaukset, virran ollessa päällä ja turvalaitteiden ollessa pois käytöstä tämän käyttöohjeen tai muun valmistajan lähettämän asiakirjan ohjeiden mukaisesti, ja käyttää suojavarusteita.



YRITYKSEN TURVALLISUUSVASTAAVA: Työnantaja asettama henkilö (jos yrityksessä), joka valvoo että yrityksessä noudatetaan voimassa olevaa turvallisuus - ja työterveyslainsäädäntöä.



VALMISTAJAN TEKNIKKO: Valmistajan ja/tai jälleennäpäin huoltohenkilö, joka voi auttaa teknisissä asennuksissa, suorittaa rutiini- ja lisähuollon ja toimenpiteet joita ei mainita tässä käyttöohjeessa ja käyttää suojavarusteita.

6- "SAMMUTETUN KONEEN" TILA



Ennen mitään koneen ylläpitoa ja/tai säätöä, on säiliö tyhjennettävä (ei painetta), virtalähde kytkettävä irti ja tarkastettava, että kone on varmasti pysähtynyt ja ettei sitä voida kytkeä päälle vahingossa (ON-OFF kytkin asennossa "OFF (0)" ja virtajohto kytketty irti pistorasiasista).

7- TAKUU

- 1) TAKUUTODISTUS: Valmistaja sitoutuu suorittamaan korjaukset, osien vaihdon ja muut ylläpitotoiminnot jos nämä vaikuttavat koneen oikeaan käyttöön tai toimintaan vain, jos ne kuuluvat valmistajan vastuuseen. Valmistaja pidättää oikeuden käyttää parhaaksi katsomaansa ratkaisua koneen yhdenmukaisuuden ylläpitämiseksi kohtuullisen ajan aikana.
- 2) OSTAJA: ostajaa kutsutaan "kuluttajaksi", kun kone tulee yksityiskäyttöön. Ostajaa kutsutaan "yrittäjäksi", kun kone tulee ammatinharjoittajan tai yrityksen käyttöön.
- 3) EHDOT: Valmistaja on vastuussa yhdenmukaisuusvirioista seuraavien ehtojen mukaisesti ostopäivästä laskien 24 kuukautta, kun ostaja on "kuluttaja", kohdassa 2 kuvatun mukaisesti); 12 kuukautta, kun ostaja on "yrittäjä", kohdassa 2 kuvatun mukaisesti);
- 4) VOIMASSAOLOAIKA: takuu on voimassa kun ostaja ilmoittaa valmistajalle viasta 2 kuukauden aikana vian havaitsemisesta. Ilmoituksen on liitettävä voimassa oleva ostoasiakirja (kas-sakuitti tai lasku).
- 5) PÄÄTTYMINEN: Takuu ei ole voimassa, jos ostaja käyttää konetta väärällä tavalla ja/tai käyttöohjeen ohjeiden vastaisesti, tai jos vika on aiheutunut ostajan ammattitaidon puutteesta tai vahingossa.
- 6) VASTUU: valmistaja ei ole vastuussa, laiteviasta johtuvista, ostajalle koituvista tappioista tai tuotannon laskemisesta.
- 7) KUSTANNUKSET: Valmistaja korvaa koneen yhdenmukaisuuden palauttamisesta koituvat työ- ja materiaalikustannukset. Kustannukset ja toimitusehdot sovitaan jälleenmyyjän kanssa.

8- PIDÄTETYT OIKEUDET



Pidätetyt oikeudet tässä käyttöohjeessa "käyttö. ja ylläpito-ohjeet", pysyvät valmistajan omaisuutena. Mitään tämän käyttöohjeen osaa ei saa kopioida tai julkaista (kokonaan tai osittain) millään tavalla ilman valmistajan kirjallista suostumusta. Kaikki mainitut tavaramerkit ovat kyseisen omistajan omaisuutta.

9- KÄYTTÖKOHDDE

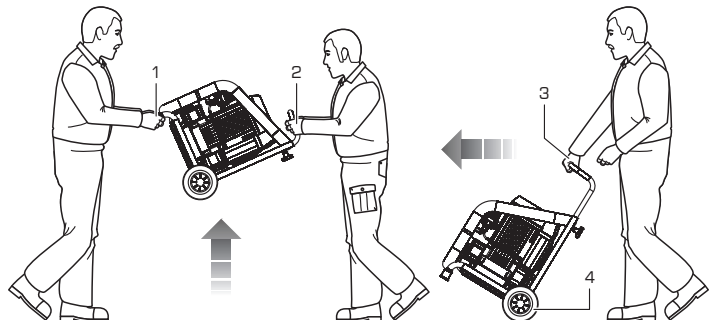
KÄYTTÖALUE	teollisuus, käsityö, yksityiskäyttö.
KÄYTTÖPAIKKA	Sisä- tai ulkotilat (olettaen ettei se altistu ilmakehän aineille) riittävästi valaistu, tuuletettu ympäristölämpötilan ja kosteuden ollessa kappaleessa 2 ilmoitetun mukaisia ja maan turvallisuus- ja työterveyslainasäädännön mukaiset. Koneen on oltava alustalla joka on riittävän kestävälaitteen painon ja mitat huomioiden (katso kappale. 2). VAROITUS! PIDETTÄVÄ LASTEN ULOTTUMATTOMISSA.
KÄYTTÖTARKOITUS	Paineilma (ilman öljyä) paineilmatyökalujen käyttöön. (esim.: ilmapistoolit, ilmantäyttö, pesu, maalaus ja hiekkapuhallus, ruuvitaltat, pistehitsit, nitotat ja rasvaajat)
KÄYTTÖSTÄ VASTAAVAT HENKILÖT	Ammattitaitoinen käyttäjä, joka vastaa kohdan 5 vaatimuksia.

10- KÄYTTÖRAJOITUKSET

Tämä laite on suunniteltu ja valmistettu vain kappaleessa 9 kuvattuun tarkoitukseen. Kaikki muu käyttö on täten kiellettyä käyttäjän turvallisuuden ja koneen tehokkuuden ylläpitämiseksi.

-  KONEEN KÄYTTÖ MAHDOLLISESTI RÄJÄHTÄVÄSSÄ JA/TAI RÄJÄHTÄVÄÄ PÖLYÄ SISÄLTÄVÄSSÄ YMPÄRISTÖSSÄ ON EHDOTTOMASTI KIELLETTY (ESIM.: PUUPÖLY, SOKERIT JA JAUHOT).
KÄYTTÖRAJOITUKSET: KONEEN KÄYTTÖ MUISSA, KUIN KAPPALEESSA 9 MAINITUSSA OLOSUHTEISSA, ON EHDOTTOMASTI KIELLETTY.
PIDETTÄVÄ LASTEN ULOTTUMATTOMISSA.
- KONEEN KÄYTÖN AIKANA ON TARKASTETTAVA, ETTEI KUKAAN VALTUUTTAMATON HENKILÖ OLE KONEEN LÄHELLÄ.
ILMALETKUJEN (JATKOLETKUT), LIITTIMIEN JA TYÖKALUJEN, JOTKA EIVÄT OLE SOPIVIA JA/TAI NOUDATA VOIMASSA OLEVIA SÄÄNTÖJÄ, KÄYTTÖ ON KIELLETTY.
- KONEEN NOSTO NOSTURILLA JA/TAI HAARUKKATRUKILLA ON EHDOTTOMASTI KIELLETTY.
-  PAINELMAA SUUNTAAMINEN SUORAAN HENKILÖITÄ, ELÄIMIÄ TAI ESINEITÄ KOHTAAN ON KIELLETTY.
KONEEN KÄYTTÖ HENKILÖIDEN, ELÄIMIEN JA ESINEIDEN KULJETTAMISEEN JA/TAI NOSTAMISEEN ON KIELLETTY.
KONEEN PÄÄLLE NOUSEMINEN ON KIELLETTY.
KONEEN HINAAMINEN MITENKÄÄN JA MILLÄÄN AJONEUVOLLA ON KIELLETTY.
KONEEN KULJETTAMINEN KÄSIN ERITTÄIN JYRKÄSSÄ YLÄ- TAI ALAMÄESSÄ ON KIELLETTY.
PALOVAMMAN VAARA KOSKETUKSESTA 2-SYLINTERISEEN PUMPPUKOKOONPANOON TAI SÄHKÖMOOTTORIIN. VAROITUS! OLEMASSA ON JÄÄNNÖSRISKI (KATSO KAPPALE.21).

11- KONEEN KULJETUS JA KÄSITTELY



KUVA 3

 Koneita voi kuljettaa kaksi käyttäjää vetämällä konetta tukijaloista (KUVA 3 - viite 1) ja kahvasta (KUVA 3 - viite 2) tai yksi käyttäjä kahvan (KUVA 3 - viite 3) ja pyörien (KUVA 3 - viite 4) avulla.

 KAHDEN KÄYTTÄJÄN ON SUORITETTAVA KONEEN KULJETUS KOHDAN "KUORMIEN MANUAALINEN KÄSITTELY" MUKAISESTI, MAHDOLLISTEN SELKÄVAMMOJEN VÄLTÄMISEKSI, JOTKA JOHTUVAT HUONOSTA NOSTOASENNOSTA.

12- PAKKAUS

Valmistaja on pakannut koneen pahlavaatikkoon kahdella kahvalla ja se sisältää Nro.1 Kuivan kompressorin ja Nro.1 Käyttö- ja ylläpito-ohjeet.

13- PAKKAUKSESTA POISTAMINEN

Kun pakkaus on asetettu lattialle, tasaiselle ja tukevalle alustalle, poista kone pakkauksesta huomioiden kappaleen 11 ohjeet.



HÄVITÄ ERI PAKKAUSMATERIAALIT MAAN LAKIEN MUKAISESTI.

14- SJOITTAMINEN



Kone on sijoitettava kohtaan, joka sisältää kappaleessa. 2 mainitut toiminnot, tasaiselle ja tukevalle alustalle, joka on riittävä laitteen painolle ja koolle (kappale 2).



TURVALLISEN TYÖTILAN VARMISTAMISEKSI, SUOSITTELEMME VÄHIMMÄISETÄISYYDEN (1 M) JÄTTÄMISEN TOISIIN KOHTEISIIN.

15- SÄILYTYS



Jos konetta ei käytetä pitkään aikaan, on se varastoitava turvalliseen paikkaan, jossa on sopiva lämpötila ja kosteus ja on pölyvapaa. Ennen koneen varastointia suosittelemme kondenssiveden tyhjentämisen ilmasäiliöstä.

16- SÄHKÖLIITÄNNÄT



Kone liitetään verkkovirtaan kytkemällä virtapistokkeen pistorasiaan.

PISTORASIAN ON NOUDATETTAVA MAAN VOIMASSA OLEVIA SÄÄNTÖJÄ JA KAPPALEESSA 2 MAINITTUJA TEKNISIÄ OMINAISUUKSIA JA OLTAVA MAADOITETTU.



KAIKKIEN LIITÄNNÄSSÄ KÄYTETTÄVIEN SÄHKÖTARVIKKEIDEN ON OLTAVA SOPIVIA KÄYTTÖÖN, "CE"-MERKITTYJÄ, JOS LIITTYY MATALAJÄNNITEDIREKTIVIIN 2006/95/EC, JA NOUDATTAVA PAIKALLISIA JA KANSALLISIA SÄÄNTÖJÄ..

YLLÄ OLEVIEN OHJEIDEN LAIMINLYÖNTI VOI JOHTAA VAKAVIIN LAITEVAURIOIHIN JA TAKUUN MITÄTÖINTIIN.



VALMISTAJA EI OTA VASTUUTA KONEEN VIOISTA TAI TOIMINTAHÄIRIÖISTÄ, JOTKA JOHTUVA ÄKILLISISTÄ JÄNNITTEENMUUTOKSISTA, JOTKA YLITTÄVÄT JAKELUYKSIKÖN TOLERANSSIT (JÄNNITE $\pm 10\%$ - TAAJUUS $\pm 2\%$).

TARVITTAESSA KONE ON LIITETTÄVÄ VAIN VIRTALÄHTEISIIN, JOIDEN TEHO ON SUUREMPI KUIN ASENNETTU SÄHKÖTEHO (KATSO KAPPALE 2), VIRTAHUIPPUJEN KOMPENSOIMISEKSI KÄYNNISTYKSESSÄ.

17- ILMAPUTKEN (JATKE) JA TYÖKALUJEN LIITÄNTÄ



- 1) Liitä työkalu ilmaputkeen (jatke);
- 2) Liitä ilmaputki (jatke) koneen pikaliittimeen (KUVA 1 - viite 14).



ILMALETKUJEN (JATKOLETKUT), LIITTIMIEN JA TYÖKALUJEN, JOTKA EIVÄT OLE SOPIVIA JA/TAI NOUDATA VOIMASSA OLEVIA SÄÄNTÖJÄ, KÄYTTÖ ON KIELLETTY.

ILMAPUTKIEN (JATKEET), LIITTIMIEN JA TYÖKALUJEN KÄYTÖSSÄ ON NOUDATETTAVA KÄYTTÖ- JA YLLÄPITO-OHJEITA SEKÄ KYSEISEN TYÖKALUN VALMISTAJAN ANTAMIA OHJEITA.

VALMISTAJA EI OLE VASTUUSSA HENKILÖ-, ELÄIN-, JA OMAISUUSVAHINGOISTA, JOTKA AIHEUTUVAT YLLÄ OLEVIEN OHJEIDEN LAIMINLYÖNNISTÄ

18- TURVALAITTEET

- 1) TURVAVENTTIILI (KUVA 1 - viite 4): tämä on sertifioitu turventtiili (kalibroitu 10,5 bariin), ja asennettu paineilmalaitteeseen painekeytkimen alle. Sitä käytetään laitteen ylipaineen poistamiseen kun painekeytkin ei toimi toimintahäiriön vuoksi. Turventtiilin laukeaminen tarkoittaa, että käyttäjän on sammutettava laite ja huollosta vastaavan henkilön on tarkastettava laite.
- 2) PAINEKEYTKIN (KUVA 1 - viite 8): tämä on sähköpneumaattinen laite (kalibroitu min. 7 bariin ja maks. 10 bariin) ja asennettu paineilmaosaan. Sitä käytetään koneen automaattiseen käynnistykseen paineen pudotessa alle 7 bariin ja pysäyttämiseen paineen noustessa 10 bariin.
- 3) JÄÄDYTYSTUULETTIMEN KIINTEÄ SUOJARITILÄ (KUVA 1 - viite 17): tämä on muovinen suojaritilä, joka on kiinnitetty ruuveilla 2-sylinterisen pumppukokoonpanon pohjaan. Sitä käytetään vahingossa tapahtuvan jäädytystuulettimen tapahtuvan koskettamisen estämiseen.
- 4) PALAUTETTAVA LÄMPÖKEYTKIN (KUVA 1 - viite 12): Tämä on sähköosaan asennettu lämpösuoja, joka pysäyttää moottorin ylikuormituksen ja/tai oikosulun sattuessa. Palauttaminen suoritetaan painikkeesta (katso KUVA 7 - viite 1).
- 5) SÄILIÖN PAINEMITTARI (KUVA 1 - viite 6): koneen säiliöön kiinnitetty mittauslaite. Näyttää paineilman paineen säiliössä.
- 6) PAINEMITTARI ULOSTULOSSA (KUVA 1 - viite 7): tämä mittauslaite on kiinnitetty koneen paineilmaosaan, ulostulon pikaliittimeen. Se näyttää ulostulopaineen, jota voidaan säätää paineen säätimestä (0 ÷ 10 bar) (KUVA 1 - viite 13).

KONEEN TURVALAITTEIDEN MUUTTAMINEN TAI POISTAMINEN ON EHDOTTOMASTI KIELLETTY.



TURVALAITTEIDEN TAI NIIDEN KOMPONENTTIEN VAHTAMINEN MUIHIN KUIN ALKUPERÄISOSIIN ON KIELLETTY.

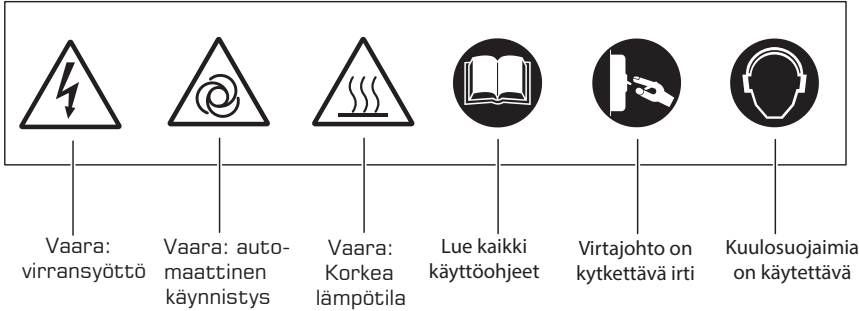
KONEEN TURVALAITTEIDEN TOIMINTA ON TARKASTETTAVA SÄÄNNÖLLISESTI.

VIALLINEN TURVALAITE ON VAHDETTAVA VÄLITTÖMÄSTI.

19- TURVAMERKINNÄT

Käytössä olevat turvamerkinneasetetään koneen ulkopuolelle kiinnitetystä tarrasta (KUVA 4).

Merkkien tarkoitus:



TURVAMERKINNÄT ON PIDETTÄVÄ PUHTAINA, JOTTA NE OLISIVAT AINA NÄKYVISSÄ.

KONEESEEN KIINNITETTYJÄ TURVAMERKINTÖJÄ EI SAA POISTAA JA/TAI VAURIOITAA.

KULUNEET TURVAMERKINNÄT ON VAHDETTAVA, PYYTÄMÄLLÄ NE VALMISTAJALTA JA/TAI JÄLLEENMYyjÄLTÄ.

20- HENKILÖSUOJAT (PPE)



KÄYTTÄJÄT EIVÄT SAA KÄYTTÄÄ VAATTEITA TAI VARUSTEITA JOTKA SAATTAVAT JUUTTUA KONEESEEN.

VALMISTAJAN SUOSITTELEMIA HENKILÖSUOJIA ON KÄYTETTÄVÄ.

KÄYTTÄJÄJEN ON KÄYTETTÄVÄ TYÖKALUJEN VALMISTAJIEN JA KÄYTTÖTARKOITUKSEN MUKAISIA HENKILÖSUOJIA.

MERKKI	PAKOLLINEN HENKILÖSUOJA	KÄYTTÖTYYPPI
	• Käsisuojaat (Lämpökestävät käsineet)	Ennen ylläpitoa on odotettava, että sähkömoottori ja 2-sylinterinen pumppuelementti jäähtyvät.
	• Kuulosuojaimet (Kuulosuoja)	Kaiken käytön aikana.
	• Jalkasuojat (Turvakengät)	Koneen kuljetuksen aikana

21- JÄÄNNÖSRISKIT

Käyttäjien tulee huomioida, että vaikka valmistaja on käyttänyt kaikkia mahdollisia teknisiä valmistusvarotoimia koneen tekemiseksi turvallisiksi, on jäännösriskien mahdollisuus olemassa.

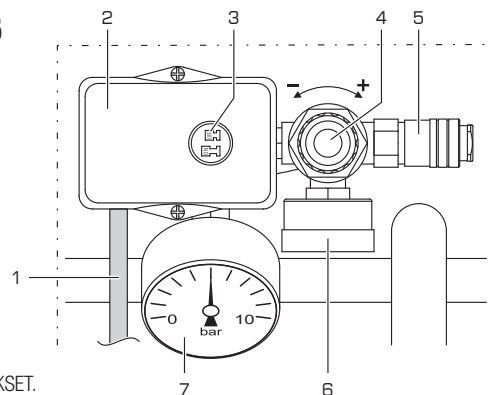
JÄÄNNÖSRISKI	Palovamman vaara kosketuksesta 2-sylinteriseen pumppukokoonpanoon tai sähkömoottoriin.
ALTISTUMISTIHEYD	Alhainen ja vahingossa tapahtuva. Altistuminen voi tapahtua käyttäjän suorittaessa väärän, kielletyn tai ennakkoimattoman toiminnon.
VAMMA	Lievä vaurio (yleensä korjattavissa).
SUORITETTAVAT TOIMENPITEET	Turvamerkinneät (katso kappale 19). / Henkilösuojaajien käyttäminen (PPE) (katso kappale 20) ja/tai koneen jäähtymisen odottaminen.

22- OHJAUSLAITTEET

Näkyvät KUNASSA. 5.

- 1) Virtajohto
- 2) Painekeytkin
- 3) "PÄÄLLÄ-POIS" kytkin
- 4) Paineensäädin ulostulossa
- 5) Ilman pikaulostuloliitin
- 6) Painemittari ulostulossa
- 7) Säiliön paineanturi

KUNASSA 5



23- TARKASTUKSET ENNEN KYTKEMISTÄ PÄALLE



ENNEN KONEEN KÄYNNISTÄMISTÄ KÄYTTÄJÄN ON SUORITETTAVA SEURAAVAT TARKASTUKSET.

- 1) Tarkasta, että kukaan henkilö ei ole koneen lähellä.
- 2) Tarkasta, että turvalaitteet on asennettu ja toiminnassa (Katso kappale 18).
- 3) Tarkasta, että kone on oikein sijoitettu (katso kappale 14).
- 4) Tarkasta, että "PÄÄLLÄ-POIS" kytkin tai valitsin "POIS (0)" asennossa (katso kappale 22).
- 5) Tarkasta, että kondenssin tyhjennysventtiili on suljettu (KUVA 1 - viite 5).
- 6) Käytä pakollisia henkilösuojia (PPE) (katso kappale 20).
- 7) varmista, että olet lukenut ja ymmärtänyt "Käyttö- ja ylläpito-ohjeet" kokonaisuudessa.

24- KONEEN KYTKEMINEN PÄÄLLE

KÄYTTÄJÄ SAA KYTKÄÄ KONEEN PÄÄLLE, VASTA KUN KAPPALEESSA 24 MAINITUT TARKASTUKSET ON SUORITETTU.

ENNEN KONEEN KÄYTTÖÄ, ON KOULUTETUN KÄYTTÄJÄN LUETTAVA JA YMMÄRRETTÄVÄ KOKO KÄYTTÖOHJE.

KONEEN KÄYTÖN AIKANA ON TARKASTETTAVA, ETTEI KUKAAN VALTUUTTAMATON HENKILÖ OLE KONEEN LÄHELLÄ.

KÄYTTÄJÄT EIVÄT SAA JÄTTÄÄ KONETTA ILMAN VALVONTAA KÄYTÖN TAI HUOLLON AIKANA.

PALOVAMMAN VAARA KOSKETUKSESTA 2-SYLINTERISEEN PUMPPUKOKOONPANOON TAI SÄHKÖMOOTTORIIN. VAROITUS! OLEMASSA ON JÄÄNNÖSRISKI (KATSO KAPPALE 21).

VALMISTAJA EI OLE VASTUUSSA HENKILÖ-, ELÄIN-, JA OMAISUUSVAHINGOISTA, JOTKA AIHEUTUVAT TÄSSÄ KÄYTTÖOHJEEN OHJEIDEN LAIMINLYÖNNISTÄ.

VALMISTAJA EI OLE VASTUUSSA TYÖN LOPPUTULOKSESTA, Koska se riippuu täysin työkalutyypistä ja käyttäjän taidoista.



1) Liitä kone verkkovirtaan kytkeväällä virtapistokkeen (KUVA 5 - viite 1) pistorasiaan;

2) Kytke kone päälle vetämällä "PÄÄLLÄ-POIS" kytkintä (KUVA 5 - viite 3) asentoon. "PÄÄLLÄ (I)" (kone käy, kunnes maks. paine 10 baria saavutetaan ja pysähtyy sitten automaattisesti);

3) Säädä ulostulopainetta säätimestä (KUVA 5 - viite 4), työkalun ja käyttötarkoituksen mukaan. Tarkasta paine painemittarista (KUVA 5 - viite 6);

ULOSTULON PAINEEENSÄÄDINTÄ EI SAA KIERTÄÄ LOPPUKOHDAN OHI (KUVA 8 - VIITE 3), KALVON VAURIOITUMISEN ESTÄMISEKSI.

4) Liitä työkalu ilmaputkeen (jatke);

5) Liitä ilmaputki (jatke) koneen pikaliittimeen (KUVA 5 - viite 5).



ILMALETKUJEN (JATKOLETKUT), LIITTIMIEN JA TYÖKALUJEN, JOTKA EIVÄT OLE SOPIVIA JAVAI NOUDATA VOIMASSA OLEVIA SÄÄNTÖJÄ, KÄYTTÖ ON KIELLETTY.

ILMAPUTKIEN (JATKEET), LIITTIMIEN JA TYÖKALUJEN KÄYTÖSSÄ ON NOUDATTETTAVA KÄYTTÖ- JA YLLÄPITO-OHJEITA SEKÄ KYSEISEN TYÖKALUN VALMISTAJAN ANTAMIA OHJEITA.

6) Suorita työt (kone käynnistyy automaattisesti paineen pudotessa alle 7 barin);

7) Kun työ on tehty, sammuta kone kappaleen 25 mukaisesti.

25- KONEEN KYTKEMINEN POIS PÄÄLTÄ



Sammuta kone työn päätyttyä seuraavasti:

1) Kytke kone pois päältä painamalla "PÄÄLLÄ-POIS" kytkintä (KUVA 5 - viite 3) asentoon. "POIS (0)";

2) Irrota kone verkkovirasta irrottamalla virtapistokkeen (KUVA 5 - viite 1) pistorasiasta;

3) Irrota työkalu ilmaputkesta (jatke);

4) Irrota ilmaputki (jatke) koneen pikaliittimestä (KUVA 5 - viite 5).

5) Tyhjennä kondenssi säiliöstä vain jos työ on valmis (KUVA 1 - viite 5).

26- PALAUTETTAVAN LÄMPÖKYTKIMEN LAUKEAMISEN PALAUTUS



Jos koneen sähköosassa tapahtuu ylikuormitus ja/tai oikosulku, laukeaa palautettava lämpökytkin sammuttaen sähkömoottorin. Palauta lämpökytkin seuraavasti:

1) Paina "PÄÄLLÄ-POIS" kytkin (KUVA 5 - viite 3) asentoon. "POIS (0)";

2) Paina lämpökytkimen painiketta (KUVA 7 - viite 1);

3) Odota muutama minuutti ennen koneen käynnistämistä.



JOS KONE EI KÄYNNISTY KYTKIMEN PALAUTTAMISEN JÄLKEEN, KÄYTTÄJÄN ON PYYDETTÄVÄ YLLÄPIDOSTA VASTAAVAA HENKILÖÄ TAI JÄLLEENMYJÄÄ TARKASTAMAAN LAITTEEN.

27- HÄTÄPYSÄYTYS



Kone voidaan kytkeä pois päältä painamalla "PÄÄLLÄ-POIS" kytkintä (KUVA 5 - viite 3) asentoon. "POIS (0)"; Vaara- tai läheltä piti tilanteiden välttämiseksi, käyttäjän on suoritettava seuraavat toiminnot:

1) PAINAA "PÄÄLLÄ-POIS" KYTKINTÄ (KUVA 5 - VIITE 3) ASENTOON. "POIS (0)" OIKEAAN AIKAAN;

2) TIEDOTTAA HÄTÄTILANTEESTA VÄLITTÖMÄSTI "TURVALLISUUSVASTAAVALLE" (JOS KONE ON YRITYKSESSÄ).

28- KYTKEMINEN PÄÄLLE HÄTÄPYSÄYTYKSEN JÄLKEEN



Vasta kun hätäpysäytyksen syy on poistettu ja sen mahdollisesti aiheuttamat vauriot on tarkastettu yhdessä "turvallisuusvastaavan" kanssa (jos konetta käytetään yrityksessä), voidaan kone käynnistää kappaleen 24 mukaan.

29- NORMAALI HUOLTO



Sisältää kaikki ylläpidosta vastaavan käyttäjän toimenpiteet koneen oikeiden käyttö- ja toimintaolosuhteiden ylläpitämiseksi (säädöt, tarkastukset, ilmasuodattimien puhdistus, jne.).



KÄYTTÄJÄT SAAVAT SUORITTA KONEESEEN VAIN HEIDÄN ERIKOISALAANSA KUULUVAT TOIMENPITEET (KATSO KAPPALE 5) YHDESSÄ YRITYKSEN TURVALLISUUSVASTAAVAN KANSSA (JOS KONETTA KÄYTETÄÄN YRITYKSESSÄ).

KÄYTTÄJÄT EIVÄT SAA JÄTTÄÄ KONETTA ILMAN VALVONTAA KÄYTÖN TAI HUOLLON AIKANA.

NORMAALI HUOLLON TAULUKKO

AJANKOHTA	HUOLTKOHTA	HUOLTOTYYPPI
PÄIVITTÄIN	Turvalaitteet	Tarkasta, että turvalaitteet on asennettu ja toiminnassa.
	Virtajohto ja -pistoke.	Kulumisen silmämääräinen tarkastus.
	Säiliö	Jokaisen työjakson päätyttyä, aseta kone lattialle ja tyhjennä kondenssi säiliöstä, avaamalla kondenssiventtiiliin (KUVA - viite 5).
VIIKOTTAIN	Pyörät	Renkaiden ilmanpaine. Täytä tarvittaessa maks.. 2.5 bariin.
	Nro.2 Ilmasuodattimet	Irrota ruuvit (KUVA 6 - viite 1); Irrota kansi (KUVA 6 - viite 2); Poista suodatin (KUVA 6 - viite 3) ja puhdistu se ilmalla; Asenna kansi kunnolla. HUOMI! VAIHDA JOS SELVÄÄ KULUMISTA ILMENEE.

30- LISÄHUOLTO



Sisältää kaikki valmistajan tekniikon toimenpiteet koneen oikeiden käyttö- ja toimintaolosuhteiden ylläpitämiseksi (säädöt, tarkastukset, ilmasuodattimien puhdistus, jne.). määritetyin aikavälein tai vian tai kulumisen yhteydessä.



VALMISTAJAN TAI JÄLLEENMYyjÄN TEKNIKON ON SUORITETTAVA LISÄHUOLTOTOIMENPITEET.

31- ROMUTTAMINEN



Kun kone romutetaan, huomioi sitä koskevat voimassa olevat säännöt. Erottele koneen osat eri materiaalien mukaan (muovi, kupari, rauta, jne.)

32- VARAOSAT



HUOLLOSSA TARVITTAVAT ALKUPERÄISOSAT ON TILATTAVA YKSINOMAAN VALMISTAJALTA TAI JÄLLEENMYyjÄLTÄ. KONEEN KOMPONENTTIEN VAIHTAMINEN MUIHIN KUIN ALKUPERÄISOSIIN ON KIELLETTY.


33- VIKA-SYY-TOIMENPIDE



Seuraavassa taulukossa on muutama tilanne joka voi tapahtua koneen käytön aikana.



KÄYTTÄJÄT SAAVAT SUORITTA A KONEESEEN VAIN HEIDÄN ERIKOISALAANSA KUULUVAT TOIMENPITEET (KATSO KAPPALE 2,2,1) YHDESSÄ YRITYKSEN TURVALLISUUSVASTAAVAN KANSSA (JOS KONETTA KÄYTETÄÄN YRITYKSESSÄ).

VIKA	SYY	TOIMENPIDE
Kone ei käynnisty tai sammuu eikä käynnisty uudestaan.	Ei virtaa.	1) Tarkasta, että "PÄÄLLÄ-POIS" kytkin on asennossa. "PÄÄLLÄ (!)"; 2) Tarkasta, että virtajohto toimii ja että se on liitetty oikein pistorasiaan. 3) Tarkasta, että mahdolliset jatkojohdot ja pistorasia toimivat. 4) Tarkasta, että päävirtakatkaisin toimii ja on asennossa "PÄÄLLÄ (!)".
	Palautettavan lämpökytkimen laukeaminen ylikuormituksen ja/tai oikosulun johdosta.	Noudata kappaleessa 26 kuvattuja toimintoja.
Kone käynnistyy useasti ilman että työkaluja käytetään.	Vuoto ilmaputkesta, työkalusta tai paineilmaosasta.	1) Tarkasta, että paineilmaosa ei ole vaurioitunut. 2) Tarkasta ilmaputken ja työkalun liitännät.
Ilmaa ei tule työkalusta.	Säiliössä ei ole painetta.	Kytke kone päälle ja odota, kunnes säiliö on täyttynyt. Tarkasta painemittarista.
	Väärä ulostulopaineen asetus.	Tarkasta, että painemittarin arvo osoittaa yli 0 (nolla) baria.
	Työkalu on viallinen.	Tarkasta työkalun kunto ja tehokkuus.
Paine laskee ilmasäiliössä.	Vuoto ilmaputkesta, työkalusta tai paineilmaosasta.	1) Tarkasta paineilmaosan kunto. 2) Tarkasta ilmaputken ja työkalun liitännät. 3) Tarkasta, että kone-ilmaputki ja ilmaputki-työkalu -liitännät ovat tiiviit. 4) Tarkasta, että kondenssin tyhjennysventtiili on suljettu.
Turvaventtiilin laukeaminen.	Painekytkimen vika.	 Vie jälleenmyyjälle.
Ilmavuoto painekytkimen venttiilistä koneen ollessa pysäytettyinä.	Takaiskuventtiili likainen tai kulunut.	
Kone pärisee ja/tai pitää kovaa ääntä.	Mekaaninen vika.	
Toistuvat käynnistykset ja alhainen tuotto.	Likaiset ilmasuodattimet.	Puhdista ilmasuodattimet (katso kappale 29).



**DÉCLARATION « CE » DE CONFORMITÉ
NOTIFICATION OF EC CONFORMITY
EG-KONFORMITÄTSERKLÄRUNG**

Le constructeur / l'importateur / le responsable de la mise sur le marché :
Der Verkäufer / der Importeur / der Verantwortliche für die Einführung auf dem Markt
The manufacturer / the importer / the person in charge of marketing

SF

Nous déclarons sous notre propre responsabilité que l'appareil désigné ci-dessous
We declare on our own responsibility, that the undermentioned tool
Wir erklären unter unserer eigenen Verantwortung, daß das nachstehend bezeichnete Gerät

Marque / Trademark / Marke : **AIR COMPRESSOR AERFAST**
Type / Type / Typ : **AC4504 / AC12810 / AC24016 / AC24008 / AC21025**

Matricule / Seriennummer / Number : Voir plaque identification
See identification plate
Siehe Eigenschaftsplatte

Année de construction / Baujahr / Year of construction :

est en conformité avec les normes et documents normalisés suivants :
is in accordance with the following specifications and standardised documents :
mit den folgenden harmonisierten Normen und Unterlagen übereinstimmt :


Directive européenne	Machinery Directive	2006/42 EC
European instruction	EMC Directive	2004/108 EC
Europäische Richtlinie	Low Voltage Directive	2006/95 EC
	Simple Pressure Vessel Directive	2009/105 EC

Le fabricant est en possession du dossier technique correspondant
The manufacturer is in possession of the relative technical file
Der Hersteller ist in Besitz der betreffenden technischen Broschüre


Fait à Saint Amé, le : 07/03/2017
Nom du signataire : Olivier NAULIN
Fonction : QSE Manager

Signature : 


Processus : Sécurité, environnement, réglementation	Page 1/1
Sous processus :	Indice C
Document : Déclaration de conformité "CE"	Approuvé par : E. Thiriet

AERFAST AC4504		CE
CODE:		
SERIAL NO:		
S3	20 min ON / 10 OFF - 66% ON	
MAX PRESSURE:	8 bar	
Volt / Hz / A:	230 V / 50 Hz / 1.5 A	
RPM:	1420 rpm	
POWER:	0.24 kW	 7 331274 016385
WEIGHT:	10.5 kg	



AERFAST AC24016		CE
CODE:		
SERIAL NO:		
S3	20 min ON / 10 OFF - 66% ON	
MAX PRESSURE:	9 bar	
Volt / Hz / A:	230 V / 50 Hz / 6.5 A	
RPM:	1400 rpm	
POWER:	1.5 kW	 7 331274 016293
WEIGHT:	42.5 kg	



AERFAST AC12810		CE
AIR COMPRESSOR		
CODE:	AFN0026	
SERIAL NO:		
NOICE:	65 dBA	
MAX PRESSURE:	9 bar	
Volt / Hz / A:	230 V / 50 Hz / 3.2 A	
RPM:	1420 rpm	
POWER:	0.75 kW	 7 331274 016576
WEIGHT:	25.8 kg	





www.aerfast.com

France

SOFRAGRAF
29 rue de la gare
88127 SAINT AMÉ Cedex – FRANCE
Phone : +33 3 29 26 26 00
email : contact@aerfast.fr

Austria

Heinz Bühnen GmbH & Co KG
Oswald Redlich-Strasse 11
A-1210 Wien
Phone : +43 1 258 21 07
email : office@heinz-buehnen.at

Belgium

Cerclindus NV S.A.
Uilenbaan 120
2160 Wommelgem
Phone : +32 3 355 03 20
email : aerfast@cerclindus.be

Sweden

Aerfast AB
Plogstigen 1
645 21 Strängnäs
Phone : +46 (0)152 170 50
email : info@aerfast.se

Netherlands

Nicomax BV
Televisieweg 131
1322 BE Almere
Phone : +31 36 532 98 34
email : info@nicomax.nl

Hungary

Heinz Bühnen Kft.
Dombóvári út. 2
H-7400 Kaposvár
Phone: +36 82 411-388 , 511-600
email : buhnen@buhnen.hu

Slovakia

Heinz Bühnen s. r.o.
Považské Podhradie 418
P.O. BOX 75
SK-017 01 Považská Bystrica
Phone : +421 42 4320919
email : buhnen@buhnen.sk

Slovenia

Heinz Bühnen d. o.o.
Industrijska cesta 1
SI-2234 Benedikt
Phone : +386 2 70 31 520
email : heinz.buhnen@siol.net

Czech Republic

Heinz Bühnen spol. s r.o.
Přerovská 35
CZ-779 00 Olomouc
Phone : +420 585 319192
email : info@buehnen.cz

Finland

Mechelin Company Ab Oy
Mekaanikonkatu 13
00880 Helsinki
Phone : +358 09 755 151
email : myynti@Mechelin-company.fi