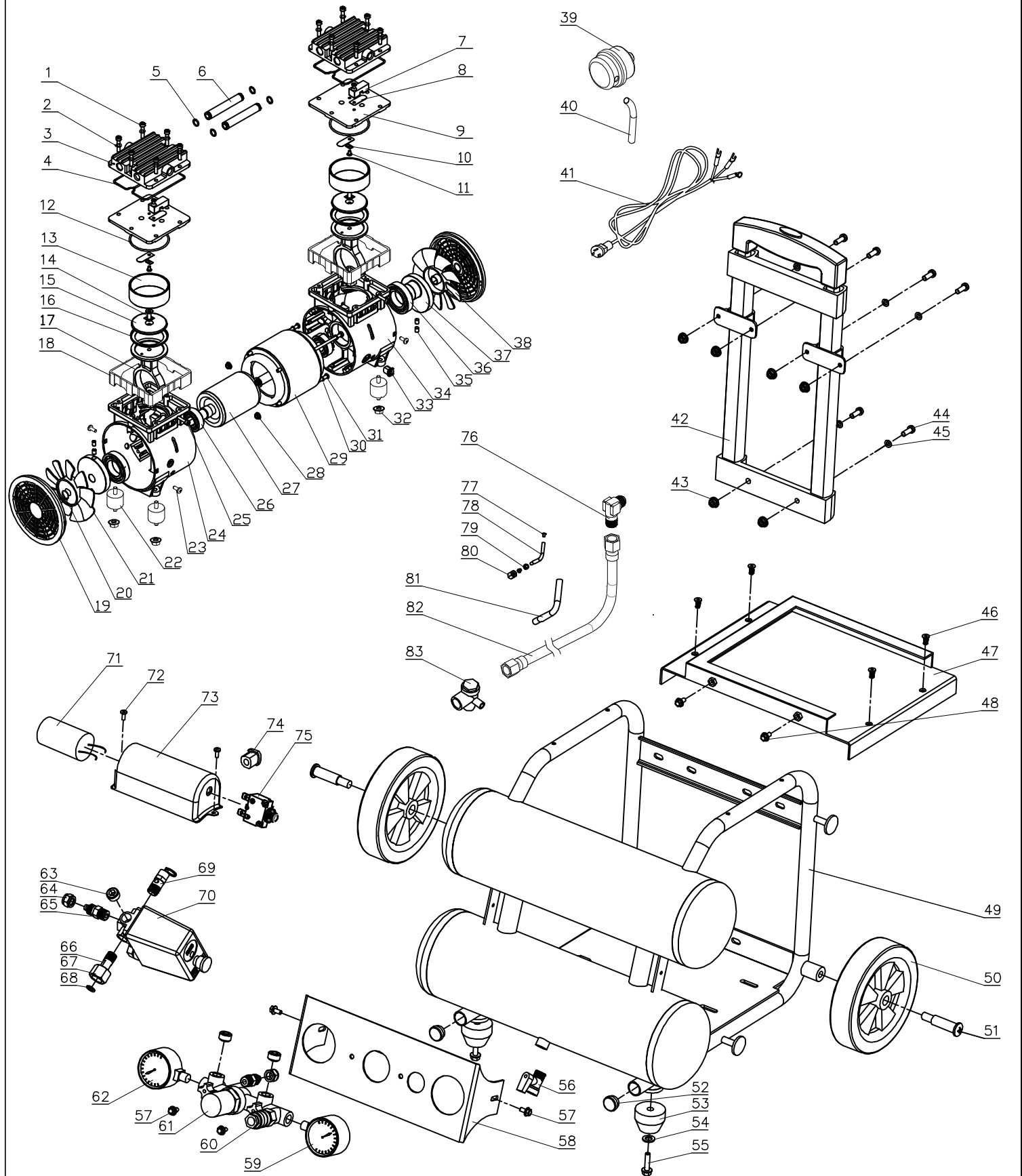


# AC-12810



AC12810 parts list			
NO	PART CODE	QTY	DESCRIPTION
1	F100022001	12	Screw
2	A100022002	12	Flat washer
3	F100022002	2	Cylinder Head
4	F100022003	2	Cylinder sealing gasket
5	F100022004	4	O-Ring
6	A100022018	2	gas-guide tube
7	A100022005	2	Limit Range Implement
8	A100022006	4	Valve Block
9	F100022005	2	Valve Board
10	F100022006	2	Valve plate clamp
11	E100022012	4	Screw
12	F100022007	2	O-Ring
13	F100022008	2	Cylinder
14	F100022009	2	Screw
15	F100022010	2	Valve Board
16	F100022011	2	Piston Cup
17	F100022012	2	Connecting Rod
18	F100022013	2	Heightening the lining
19	F100022014	2	Wind Scooper
20	F100022015	2	circlip for shaft
21	F100022016	1	B Fan
22	A100022038	4	Shock Pad
23	F100022017	4	Screw
24	F100022018	1	Left Crankcase
25	F100022019	2	Screw
26	F100022020	2	Bearing
27	F100022021	1	Motor Rator
28	A100022039	4	Nut
29	F100022022	1	Motor Staotr
30	A100022033	4	Cushion
31	F100022023	4	Bolt
32	F100022024	4	Nut
33	A100022045	2	Power Cord Buckle
34	F100022025	1	Right Crankcase
35	F100022026	4	Screw
36	F100022027	2	Bearing
37	F100022028	2	Crank
38	F100022029	1	A Fan
39	A100022036	1	Air Filter
40	A100022037	1	Nylon Pipe
41	B100022072	1	Power Cord
42	F100022030	1	handle pull rod
43	F100022024	6	Nut
44	F100022031	6	Screw
45	A100022002	6	washer
46	F100022032	4	Screw
47	F100022033	1	tool board
48	E100022061	2	bolt
49	F100022035	1	Horizontal Two Tank
50	F100022036	2	foot wheel
51	B100022045	2	wheel shaft
52	A100022049	2	Plug (rubber)
53	F100022037	2	foot pad
54	F100022038	2	washer
55	F100022039	2	bolt
56	A100022050	1	Drain valve
57	E100022069	4	Bolt
58	F100022040	1	Instrument Panel
59	E100022071	1	Pressure Gauge
60	E100022072	1	Quick Connect
61	F100022041	1	Regulator Valve Stand
62	E100022075	1	Pressure Gauge
63	E100022074	3	Screw
64	E100022077	2	Nut
65	E100022078	2	Straight connection
66	E100022080	1	Flexible Joint
67	E100022081	1	Flexible Joint nut
68	E100022082	2	Gasket
69	E100022076	1	Saftv Valve
70	E100022079	1	Pressure Switch
71	F100022042	1	Capacity
72	E100022046	2	Screw
73	A100022043	1	Capacity Cover
74	A100022045	1	Power Cord Buckle
75	F100022043	1	Protector
76	F100022044	1	Elbow
77	E100022089	2	Lining
78	F100022045	1	Nylon Pipe
79	E100022091	1	Cutting Sleeve
80	E100022092	1	Nut
81	F100022046	1	Nylon Pipe
82	F100022047	1	Exhaust Pipe
83	F100022048	1	Check Valve