



2 1/2" Coil Siding Nailer

Parts Reference Guide

Guía de referencia
de piezas

Pièces Guide
de référence

Schematic Drawings Inside
Plano esquemático en el interior
Schéma intérieur

Repair Kit
YK0771

SENCO®

Senco Brands, Inc.
4270 Ivy Pointe Blvd.
Cincinnati, OH 45245
1-800-543-4596
www.senco.com

NFG05J Nov 15, 2013, Replaces June 3, 2010

Questions? Comments? call SENCO's toll-free Action-Line: 1800-543-4596
(North and South America Only) or email: toolprof@senco.com

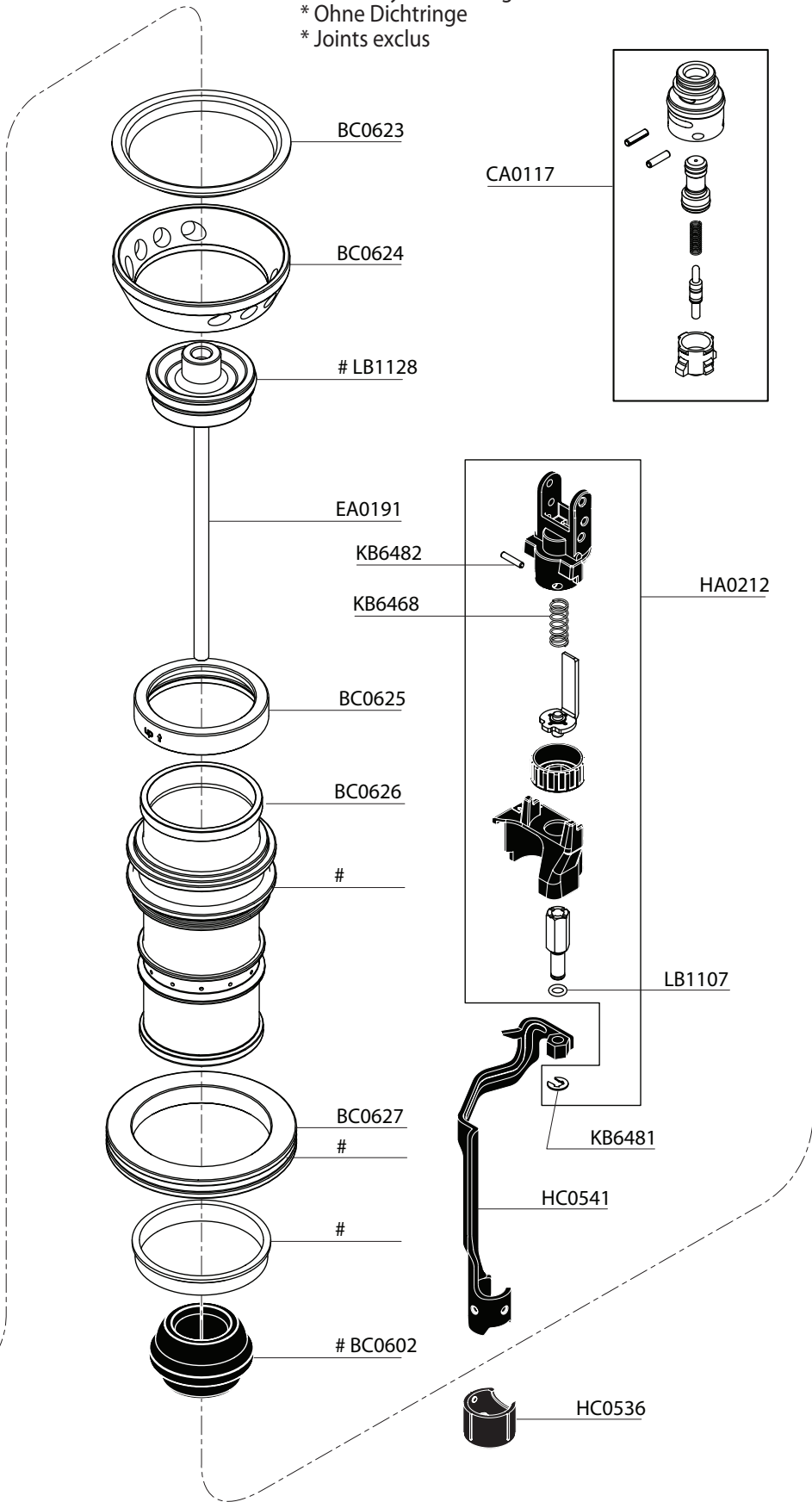
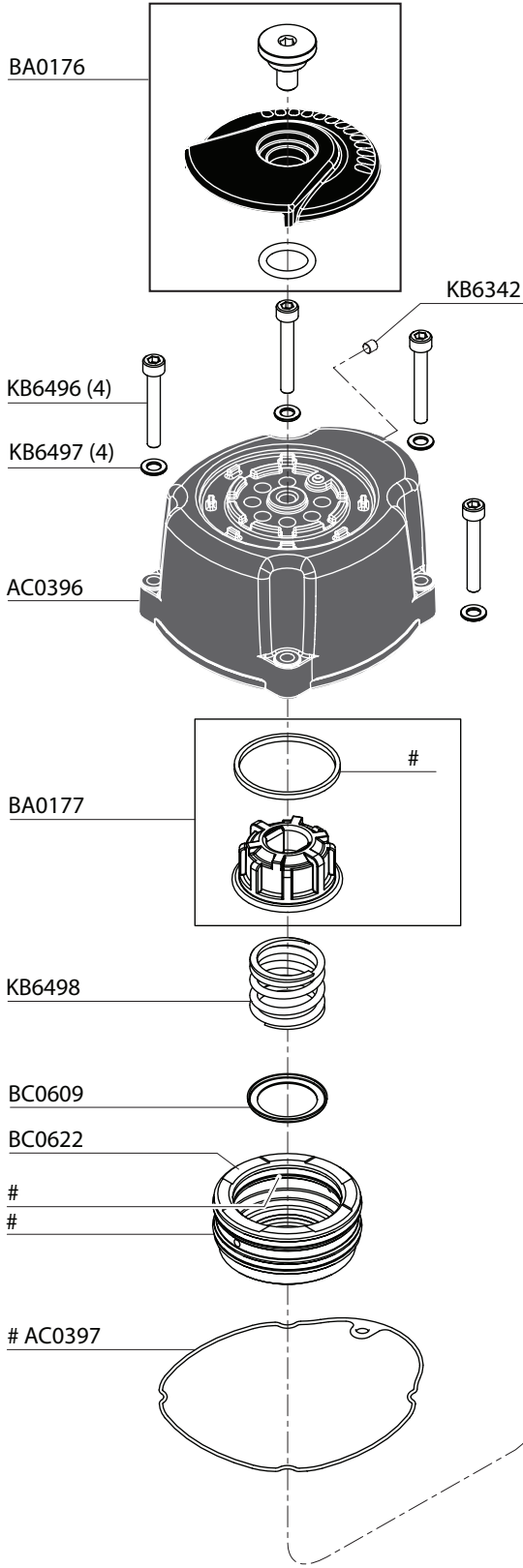
¿Tiene preguntas? ¿Comentarios? Llame a la línea gratuita de acción de Senco: 1800-543-4596
(sólo para América del Norte y del Sur) o envíe un correo electrónico: toolprof@senco.com

Des questions? Des commentaires? Communiquez avec le service d'assistance sans frais de Senco :
1800-543-4596 (Amérique du Nord et Amérique du Sud seulement) ou envoyer un courriel : toolprof@senco.com

| Tool # | Model |
|---------|-------------------|
| 5J0001N | Contact Actuation |
| 5J2001N | Contact Actuation |

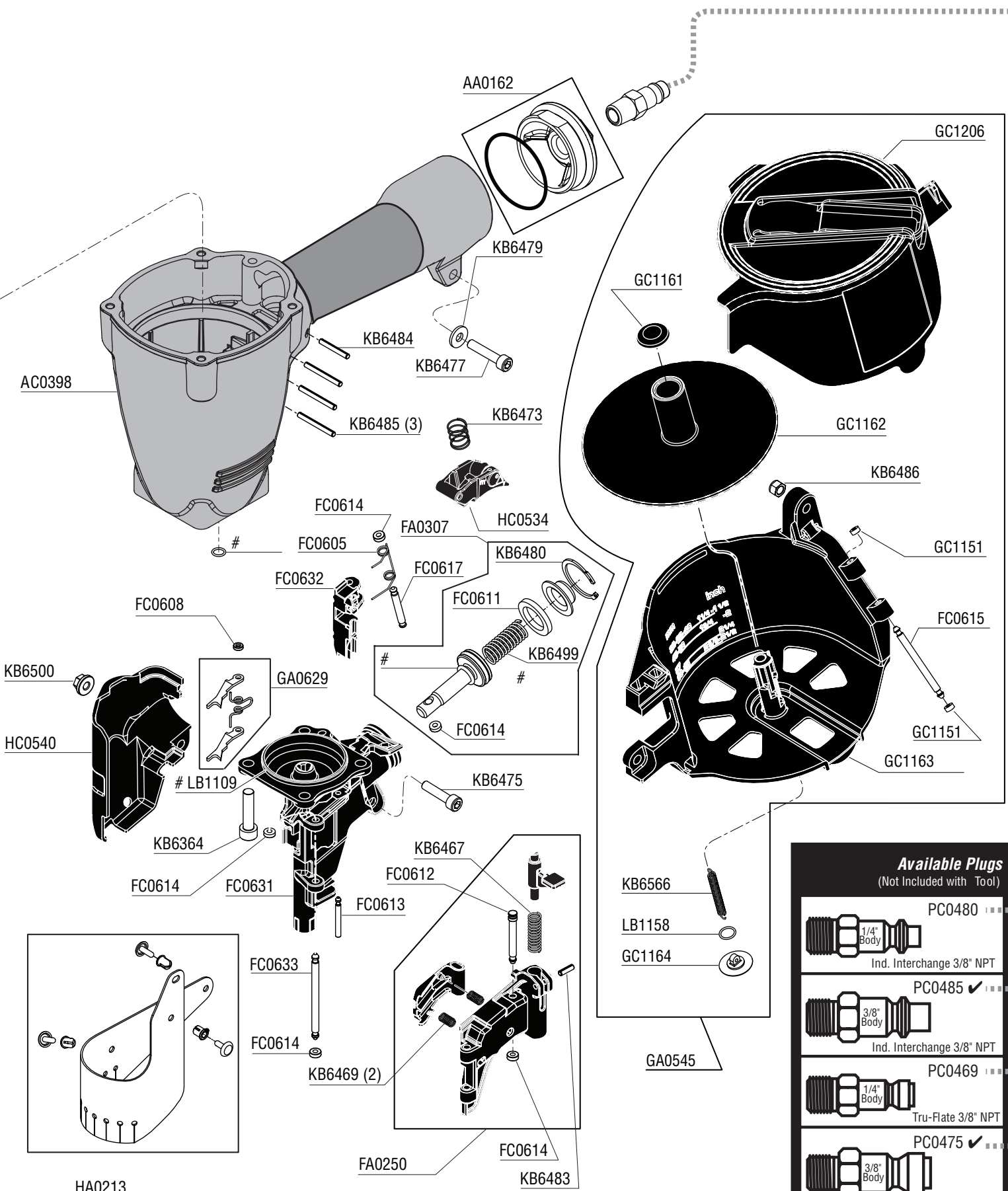
Contents of YK0771 Kit

- * Does Not Include O-rings
- * No incluye sellos de gomas
- * Ohne Dichtringe
- * Joints exclus







2 1/2" Coil Siding Nailer

SCN49XP



Available Plugs
(Not Included with Tool)

| | |
|---|---------------------------|
|  | PC0480 |
| | Ind. Interchange 3/8" NPT |
|  | PC0485 ✓ |
| | Ind. Interchange 3/8" NPT |
|  | PC0469 |
| | Tru-Flate 3/8" NPT |
|  | PC0475 ✓ |
| | Tru-Flate 3/8" NPT |

✓ **Recommended Plugs**
Plugs shown smaller than actual size

MFG05J Revised November X X, 2013 (Replaces 6/3/10) © 2011 by SENCO Brands, Inc. Cincinnati, Ohio 45245 - U.S.A.

REPLACEMENT PARTS LIST • LISTA DE PARTES DE REPUESTO • ERSATSTEILE-LISTE • LISTE DE PIÈCES DE RECHANGE

| PART NO. | DESCRIPTION | DESCRIPCIÓN | BESCHREIBUNG | DÉSIGNATION |
|----------|----------------------------|--------------------------|----------------------------|---------------------------|
| AA0162 | CAP ASY | TAPA | KAPPE | BOUCHON |
| AC0396 | CAP | TAPA | KAPPE | BOUCHON |
| AC0397 | SEAL | SELLO | DICHTUNG | JOINT |
| AC0398 | MAINBODY | CUERPO PRINCIPAL | GEHÄUSE | CORPS |
| BA0176 | DEFLECTOR ASY | DESVIADOR | ABWEISER | DÉFLECTEUR |
| BA0177 | SEAL | SELLO | DICHTUNG | JOINT |
| BC0602 | STOP | TOPE | PUFFER | AMORTISSEUR |
| BC0609 | SEAL | SELLO | DICHTUNG | JOINT |
| BC0622 | FIRING VALVE PISTON | PISTON | KOLBEN | PISTON |
| BC0623 | RING | ANILLO | REIFEN | ANNEAU |
| BC0624 | RING | ANILLO | REIFEN | ANNEAU |
| BC0625 | CYLINDER | CILINDRO | ZYLINDER | CYLINDRE |
| BC0626 | CYLINDER | CILINDRO | ZYLINDER | CYLINDRE |
| BC0627 | SPACER | SEPARADOR | DISTANZSTÜCK | ENTRETOISE |
| CA0117 | VALVE ASSEMBLY | ASAMBLE DE VÁLVULA | VENTIL-ZUSAMMENBAU | VALVE D'ASSEMBLÉE |
| EA0191 | PISTON ASSEMBLY | ASAMBLE DE PISTON | KOLBEN-ZUSAMMENBAU | ENSEMBLE PISTON-COUEAU |
| FA0250 | LATCH ASY | UNETA | VERSCHLUSS | DOIGT DE RETENUE |
| FA0307 | FEED ASY | ALIMENTADOR | VORSCHIEBER | POUSSOIR |
| FC0605 | SPRING | RESORTE | FEDER | RESSORT |
| FC0608 | RETAINER | JUNTA TÓRICA | SICHERUNGSRING | RETENUE |
| FC0611 | STOP | TOPE | PUFFER | ARRÊT |
| FC0612 | PIN | PASADOR | STIFT | GOUPILLE |
| FC0613 | PIN | PASADOR | STIFT | GOUPILLE |
| FC0614 | RETAINER | JUNTA TÓRICA | SICHERUNGSRING | RETENUE |
| FC0615 | PIN | PASADOR | STIFT | GOUPILLE |
| FC0617 | PIN | PASADOR | STIFT | GOUPILLE |
| FC0631 | GUIDEBODY | PLACA DE NARIZ | NAGELFÜHRUNG | FRONT |
| FC0632 | FEEDER | ALIMENTADOR | VORSCHIEBER | POUSSOIR |
| FC0633 | PIN | PASADOR | STIFT | GOUPILLE |
| GA0545 | MAGAZINE ASY | ASAMBLE DE CARGADOR | MAGAZIN-ZUSAMMENBAU | MAGASIN D'ASSEMBLÉE |
| GA0629 | SPRING ASY | RESORTE | FEDER | RESSORT |
| GC1151 | RING | ANILLO | REIFEN | ANNEAU |
| GC1161 | BASE | BASE (EU solamente) | UNTERSEITE (EU nur) | BASE (EU seulement) |
| GC1162 | SPACER | SEPARADOR (EU solamente) | DISTANZSTÜCK (EU nur) | ENTRETOISE (EU seulement) |
| GC1163 | MAGAZINE | CARGADOR (EU solamente) | MAGAZIN (EU nur) | MAGASIN (EU seulement) |
| GC1164 | BASE | BASE (EU solamente) | UNTERSEITE (EU nur) | BASE (EU seulement) |
| GC1206 | COVER | CUBIERTA (EU solamente) | ABDECKUNG (EU nur) | PORTE (EU seulement) |
| HA0212 | SAFETY ELEMENT ASY (UPPER) | SEGUO DE SUPERIOR | OBERSICHERHEITSVORRICHTUNG | SÉCURITÉ EN DESSUS |
| HA0213 | COVER ASY | CUBIERTA | ABDECKUNG | COUVERCLE |
| HC0534 | TRIGGER | GATILLO | AUSLÖSER | GACHETTE |
| HC0536 | COVER | CUBIERTA | ABDECKUNG | PORTE |
| HC0540 | COVER | CUBIERTA | ABDECKUNG | PORTE |
| HC0541 | SAFETY ELEMENT | SEGUO | SICHERHEITSVORRICHTUNG | PALPEUR DE SÉCURITÉ |
| KB6342 | SCREW | TORNILLO | SCHRAUBE | VIS |
| KB6364 | SCREW | TORNILLO | SCHRAUBE | VIS |
| KB6467 | SPRING | RESORTE | FEDER | RESSORT |
| KB6468 | SPRING | RESORTE | FEDER | RESSORT |
| KB6469 | SPRING | RESORTE | FEDER | RESSORT |
| KB6473 | SPRING | RESORTE | FEDER | RESSORT |
| KB6475 | SCREW | TORNILLO | SCHRAUBE | VIS |
| KB6477 | SCREW | TORNILLO | SCHRAUBE | VIS |
| KB6479 | WASHER | RONDANA | SCHEIBE | RONDELLE |
| KB6480 | RING | ANILLO | REIFEN | ANNEAU |
| KB6481 | RING | ANILLO | REIFEN | ANNEAU |
| KB6482 | PIN | PASADOR | STIFT | GOUPILLE |
| KB6483 | PIN | PASADOR | STIFT | GOUPILLE |
| KB6484 | PIN | PASADOR | STIFT | GOUPILLE |
| KB6485 | PIN | PASADOR | STIFT | GOUPILLE |
| KB6486 | NUT | TUERCA | MUTTER | ÉCROU |
| KB6496 | SCREW | TORNILLO | SCHRAUBE | VIS |
| KB6497 | WASHER | RONDANA | SCHEIBE | RONDELLE |
| KB6498 | SPRING | RESORTE | FEDER | RESSORT |
| KB6499 | SPRING | RESORTE | FEDER | RESSORT |
| KB6500 | NUT | TUERCA | MUTTER | ÉCROU |
| KB6566 | SPRING | RESORTE (EU solamente) | FEDER (EU nur) | RESSORT (EU seulement) |
| LB1107 | SEAL | SELLO | DICHTUNG | JOINT |
| LB1109 | SEAL | SELLO | DICHTUNG | JOINT |
| LB1128 | SEAL | SELLO | DICHTUNG | JOINT |
| LB1158 | SEAL | SELLO (EU solamente) | DICHTUNG (EU nur) | JOINT (EU seulement) |