

SFW09

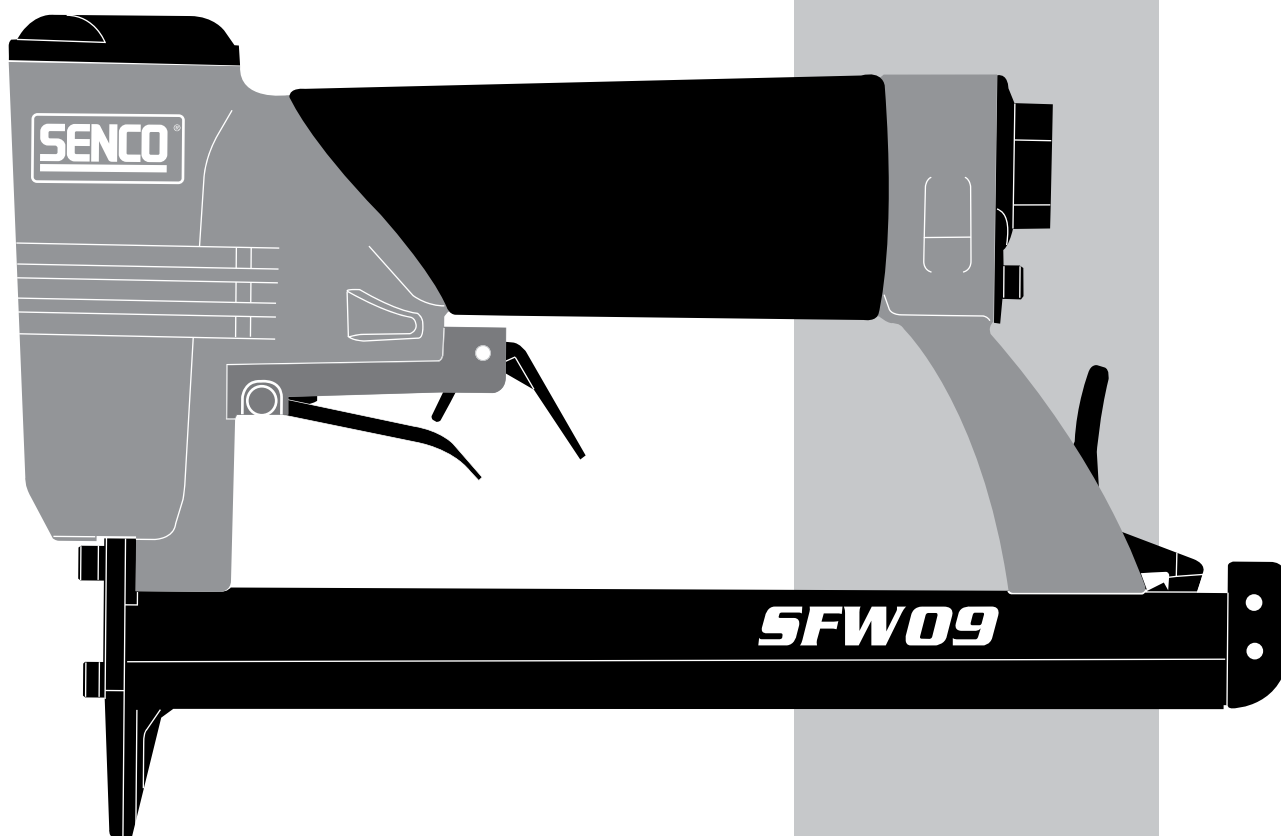
C/AT Wire Staplers



Parts Reference Guide

Repair Kit

YK0775EU



*** Schematic drawings inside**

Senco Brands Inc.
4270 Ivy Pointe Blvd.
Cincinnati, Ohio 45245
Visit Our Website: www.senco.com
EMEA Website: www.senco-emea.com

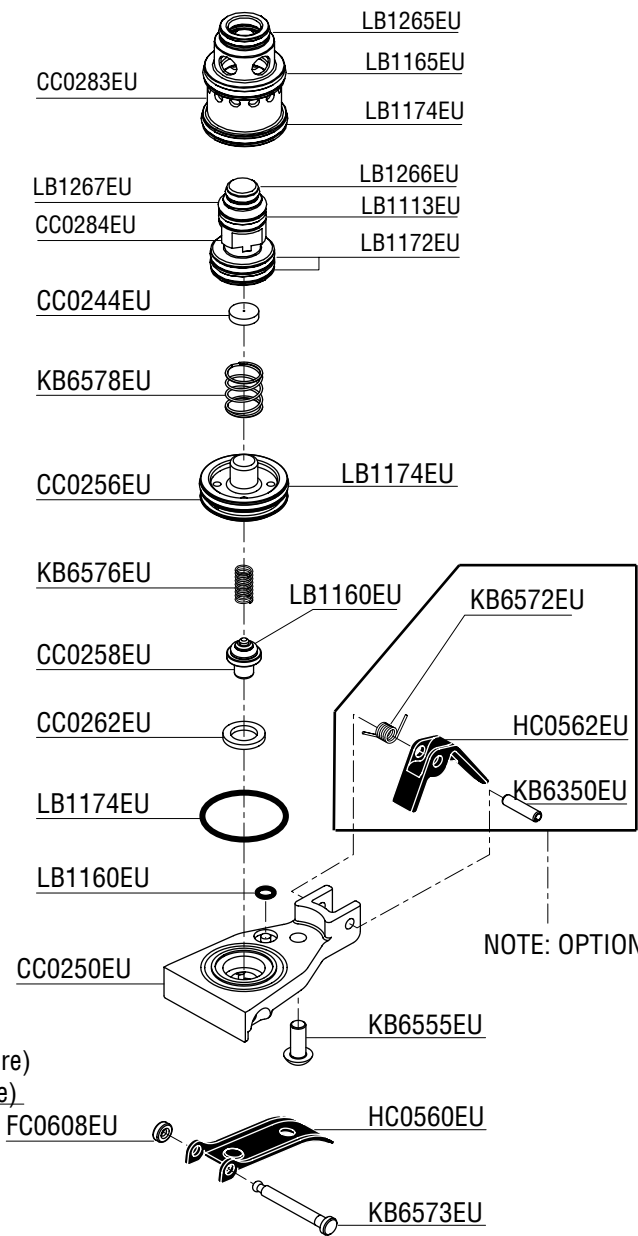
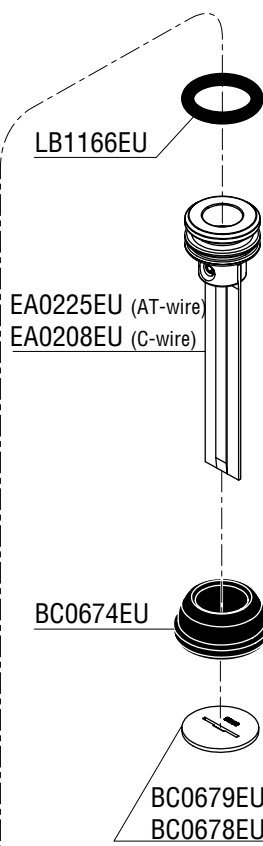
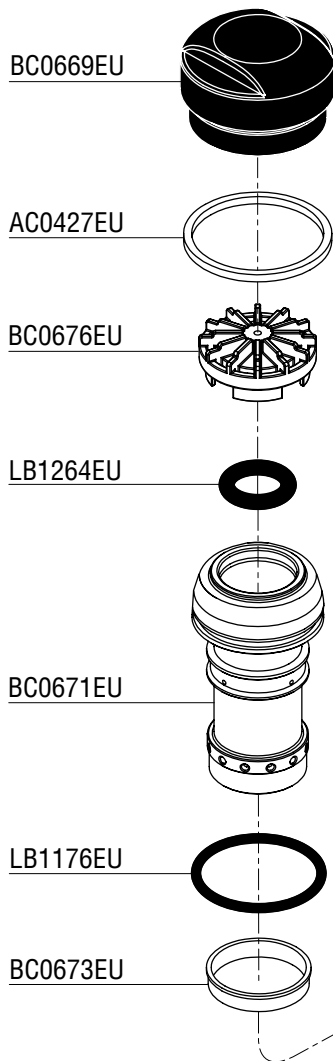
Questions? Comments? call SENCO's toll-free Action-line:
1-800-543-4596 (North & South America only)
or e-mail: toolprof@senco.com

SFW09 C/AT Wire Staplers

SENCO®

Tool #

4C2021N AT (EU)
4C2001N C (EU)

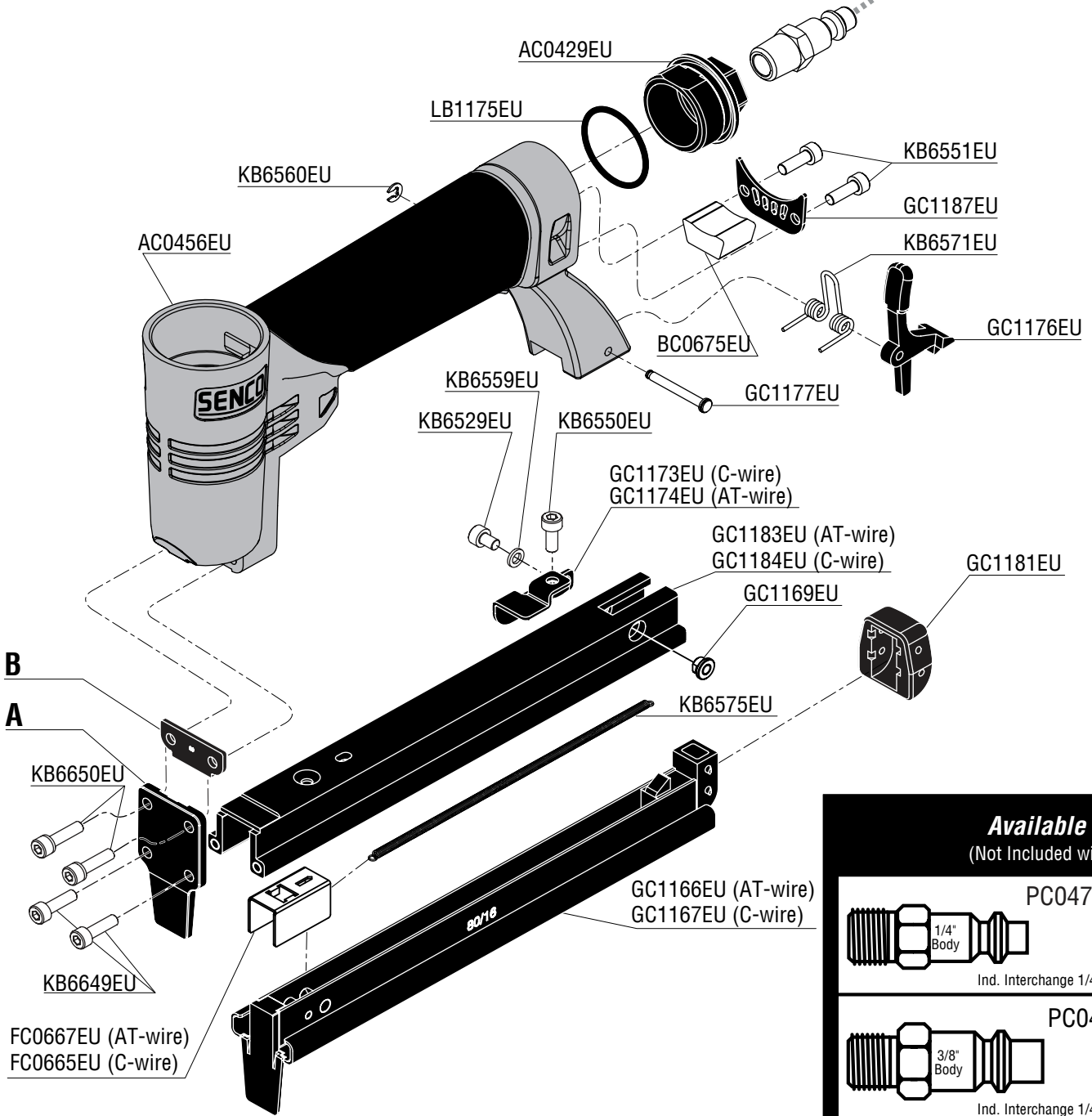


NOTE: OPTION

EU DESIGNED PARTS CAN BE DIFFERENT

SFW09 C/AT Wire Staplers

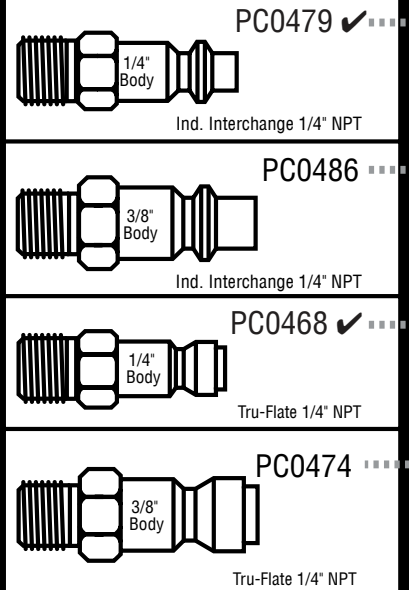
SENCO



EU DESIGNED PARTS CAN BE DIFFERENT

Model	A	B
AT WIRE	FC0675	FC0679
C WIRE	FC0676	FC0680

Available Plugs (Not Included with Tool)



✓ **Recommended Plugs**
Plugs shown smaller than actual size

PART NO.	DESCRIPTION	DESCRIPCIÓN	BESCHREIBUNG	DÉSIGNATION
AC0427EU	SEAL	SELLO	DICHTUNG	JOINT
AC0429EU	CAP	TAPA	KAPPE	BOUCHON
AC0456EU	MAIN BODY	CARCASA	GEHÄUSE	CORPS
BC0669EU	DEFLECTOR	TAPA	KAPPE	BOUCHON
BC0671EU	CYLINDER	CILINDRO	ZYLINDER	CYLINDRE
BC0673EU	RING	ANILLO	REIFEN	ANNEAU
BC0674EU	BUMPER	AMORTIGUADOR	PUFFER	AMORTISSEUR
BC0675EU	MUFFLER	SILENCIADOR	DAMPFER	SILENCIEUX
BC0676EU	SEAL	SELLO	DICHTUNG	JOINT
BC0678EU	GUIDE (C.WIRE)	GUÍA	FÜHRUNG	GUIDE
BC0679EU	GUIDE (AT.WIRE)	GUÍA	FÜHRUNG	GUIDE
CC0244EU	PAD	AMORTIGUADOR	SCHUTZ	COUSSIN
CC0250EU	CAP	TAPA	KAPPE	BOUCHON
CC0252EU	VALVE HEAD	VALVULA	VENTIL	VALVE
CC0256EU	CAP	TAPA	KAPPE	BOUCHON
CC0262EU	COLLAR	CILINDRO	ZYLINDER	CYLINDRE
CC0283EU	PLUNGER (A)	VALVULA	VENTIL	VALVE
CC0284EU	PLUNGER (B)	VALVULA	VENTIL	VALVE
EA0208EU	PISTON ASY.(C WIRE)	ASAMBLE DE PISTON	KOLBEN-ZUSAMMENBAU	ENSEMBLE PISTON -COUTEAU
EA0225EU	PISTON ASY (AT.WIRE)	ASAMBLE DE PISTON	KOLBEN-ZUSAMMENBAU	ENSEMBLE PISTON -COUTEAU
FC0608EU	RETAINER	JUNTA TÓRICA	SICHERUNGSRING	RETENUE
FC0665EU	FEEDER (C.WIRE)	ALIMENTADOR	KLAMMERSCHIEBER	POUSSOIR
FC0667EU	FEEDER (AT.WIRE)	ALIMENTADOR	KLAMMERSCHIEBER	POUSSOIR
FC0675EU	PLATE (AT WIRE)	PLACA	PLATTE	PLAQUE
FC0676EU	PLATE (C WIRE)	PLACA	PLATTE	PLAQUE
FC0679EU	GASKET (AT WIRE)	SELLO	DICHTUNG	JOINT
FC0680EU	GASKET (C WIRE)	SELLO	DICHTUNG	JOINT
GC1166EU	GUIDE (AT WIRE)	CARGADOR	MAGAZIN	MAGASIN
GC1167EU	GUIDE (C WIRE)	CARGADOR	MAGAZIN	MAGASIN
GC1169EU	ANCHOR	ACOPLAMIENTO	EINSATZ	INSERT
GC1173EU	BRACKET (C WIRE)	SOPORTE	HALTERUNG	CAVALIER
GC1174EU	BRACKET (AT WIRE)	SOPORTE	HALTERUNG	CAVALIER
GC1176EU	LATCH	UNETA	VERSCHLUSS	DOIGT DE RETENUE
GC1177EU	PIN	PASADOR	STIFT	GOUPILLE
GC1181EU	COVER	CUBIERTA	ABDECKUNG	COUVERCLE
GC1183EU	MAGAZINE (B) (AT WIRE)	CARGADOR	MAGAZIN	MAGASIN
GC1184EU	MAGAZINE (B) (C WIRE)	CARGADOR	MAGAZIN	MAGASIN
GC1187EU	PLATE	PLACA	PLATTE	PLAQUE
HC0560EU	TRIGGER	GATILLO	AUSLÖSE	GÂCHETTE
HC0562EU	STOP	GATILLO	AUSLÖSE	GÂCHETTE
KB6350EU	PIN	PASADOR	STIFT	GOUPILLE
KB6529EU	SCREW	TORNILLO	SCHRAUBE	VIS
KB6550EU	SCREW	TORNILLO	SCHRAUBE	VIS
KB6551EU	SCREW	TORNILLO	SCHRAUBE	VIS
KB6555EU	SCREW	TORNILLO	SCHRAUBE	VIS
KB6559EU	WASHER	ARANDELA	SCHIBE	RONDELLE
KB6560EU	RING	ANILLO DE RESORTE	SICHERUNGSRING	ANNEAU ÉLASTIQUE
KB6571EU	SPRING	RESORTE	FEDER	RESSORT
KB6572EU	SPRING	RESORTE	FEDER	RESSORT
KB6573EU	PIN	PASADOR	STIFT	GOUPILLE
KB6575EU	SPRING	RESORTE	FEDER	RESSORT
KB6576EU	SPRING	RESORTE	FEDER	RESSORT
KB6578EU	SPRING	RESORTE	FEDER	RESSORT
KB6649EU	SCREW	TORNILLO	SCHRAUBE	VIS
KB6650EU	SCREW	TORNILLO	SCHRAUBE	VIS
LB1113EU	SEAL	SELLO	DICHTUNG	JOINT
LB1160EU	SEAL	SELLO	DICHTUNG	JOINT
LB1165EU	SEAL	SELLO	DICHTUNG	JOINT
LB1166EU	SEAL	SELLO	DICHTUNG	JOINT
LB1172EU	SEAL	SELLO	DICHTUNG	JOINT
LB1174EU	SEAL	SELLO	DICHTUNG	JOINT
LB1175EU	SEAL	SELLO	DICHTUNG	JOINT
LB1264EU	SEAL	SELLO	DICHTUNG	JOINT
LB1265EU	SEAL	SELLO	DICHTUNG	JOINT
LB1266EU	SEAL	SELLO	DICHTUNG	JOINT
LB1267EU	SEAL	SELLO	DICHTUNG	JOINT