

SNS41



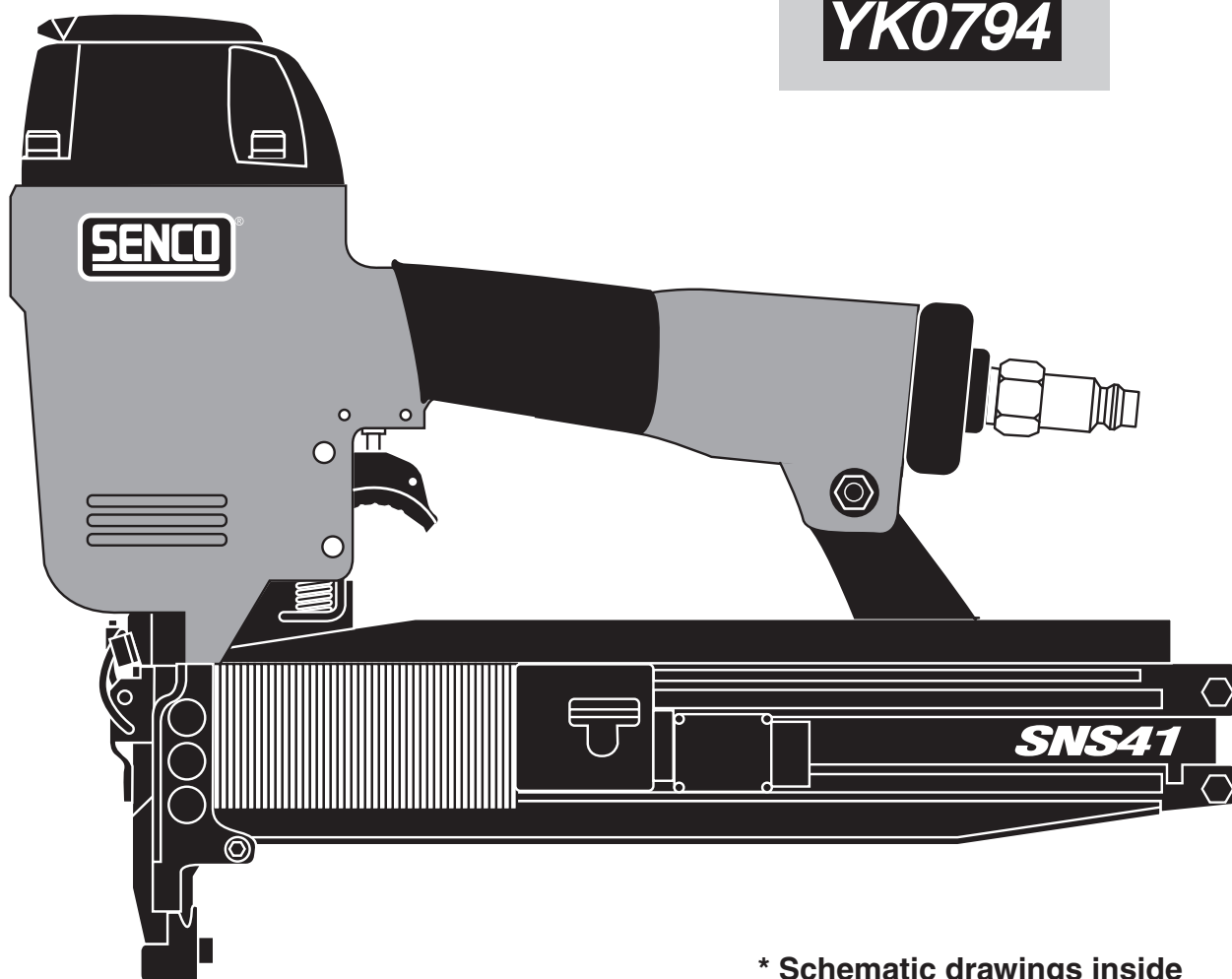
Parts Reference Guide



Repair Kit

YK0423

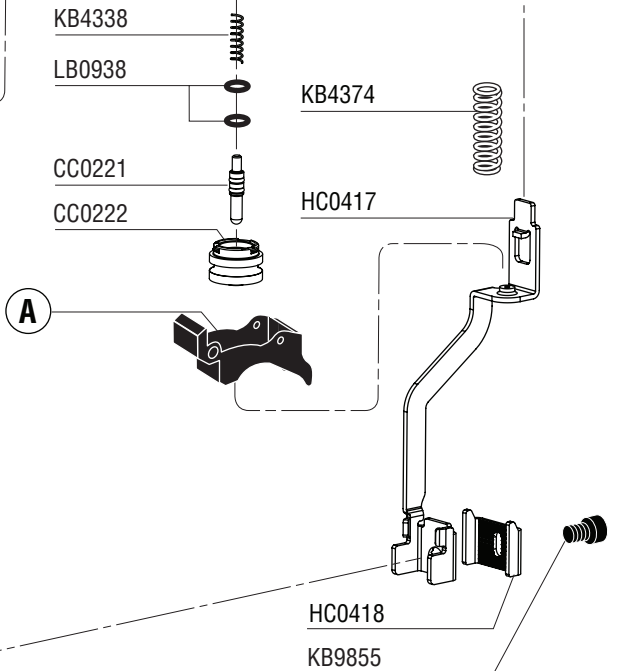
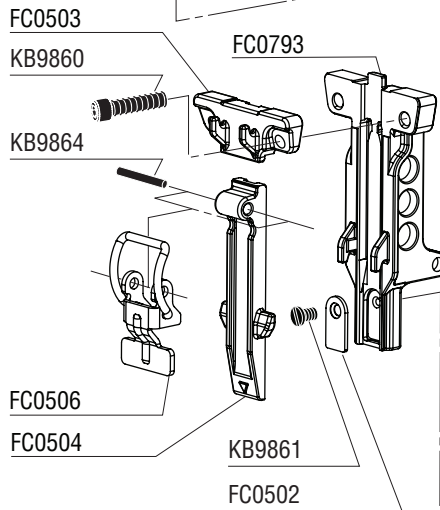
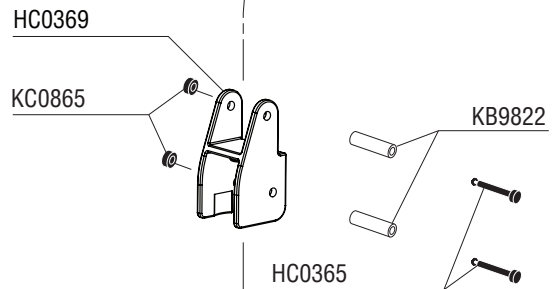
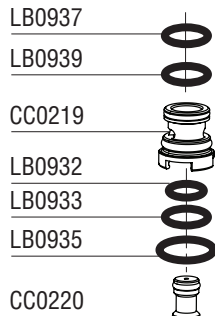
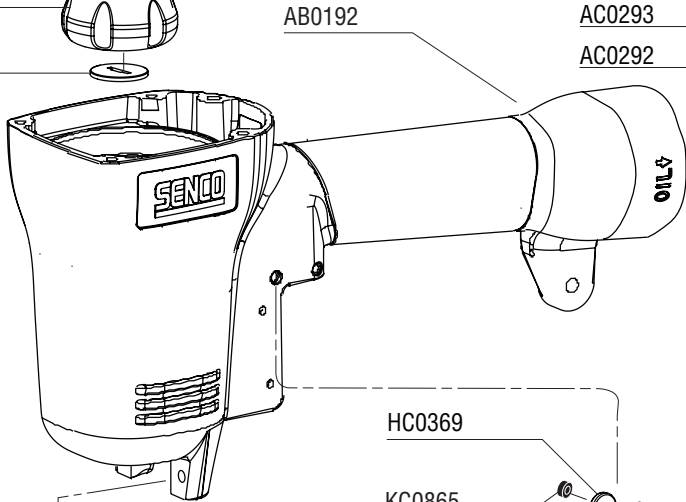
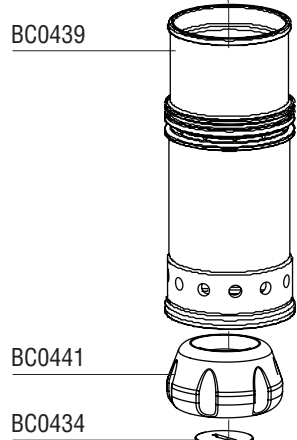
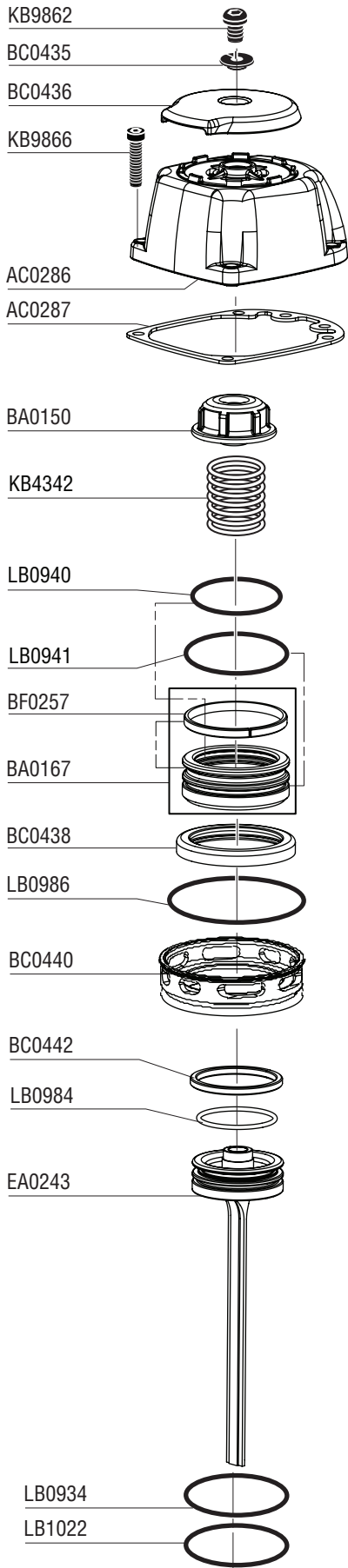
YK0794



* Schematic drawings inside

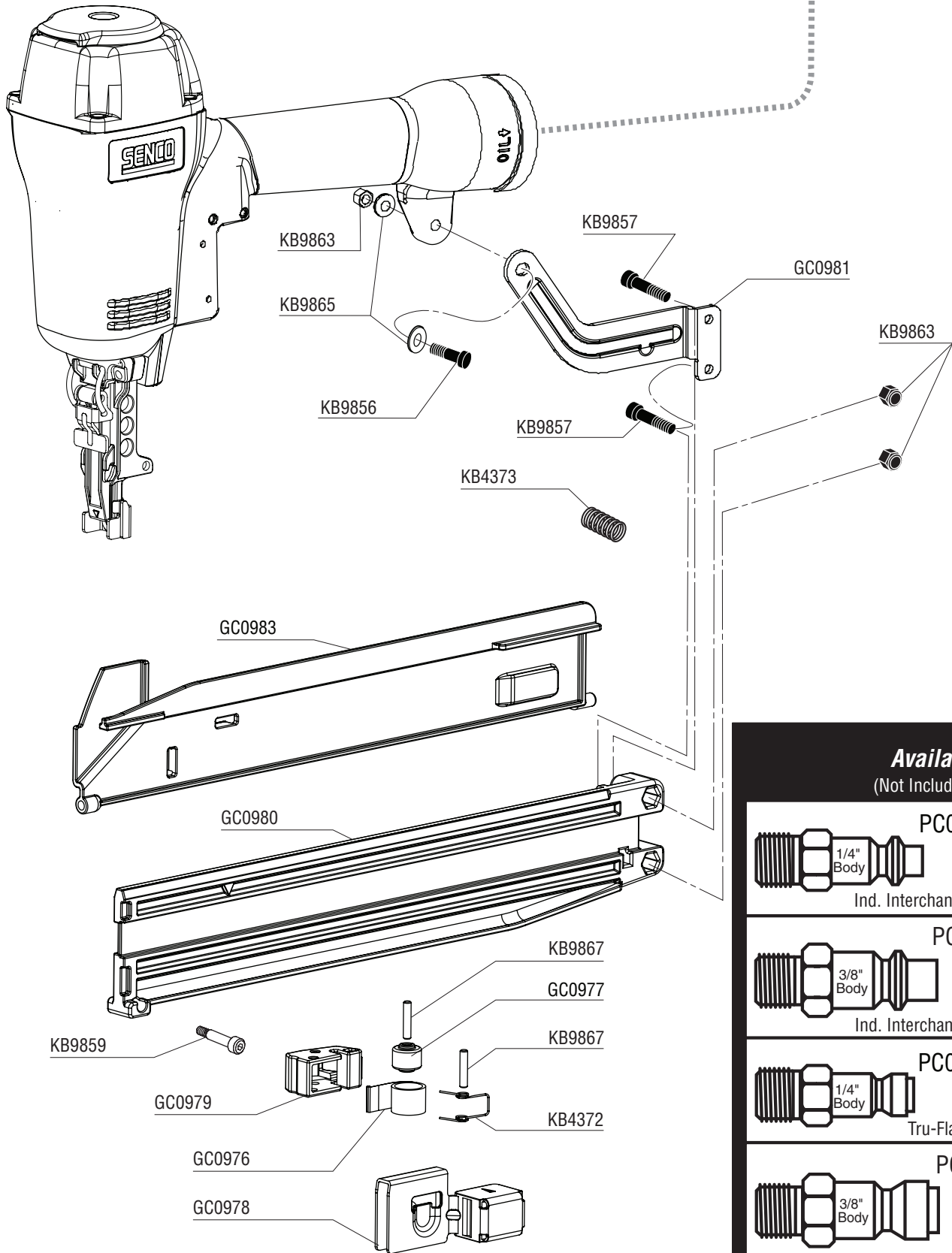
Senco Brands Inc.
4270 Ivy Pointe Blvd.
Cincinnati, Ohio 45245
Visit Our Website: www.senco.com
EU Website: www.verpa-senco.com

Questions? Comments? call SENCO's toll-free Action-line:
1-800-543-4596 (North & South America only)
or e-mail: toolprof@senco.com




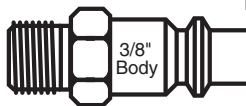

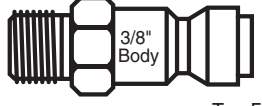
Tool #	Model
3L0003N	Contact Actuation
3L0004N	Single Sequential
3L2003N	Contact Actuation
3L2004N	Single Sequential

A	Trigger
HA0145	Contact Actuation
HA0148	Single Sequential



Available Plugs

(Not Included with Tool)

	PC0480 ✓
	Ind. Interchange 3/8" NPT
	PC0485
	Ind. Interchange 3/8" NPT
	PC0469 ✓
	Tru-Flate 3/8" NPT
	PC0475
	Tru-Flate 3/8" NPT

✓ **Recommended Plugs**
Plugs shown smaller than actual size

PART NO.	DESCRIPTION	DESCRIPCIÓN	BESCHREIBUNG	DÉSIGNATION
AB0192	MAIN BODY	CARCASA	GEHÄUSE	CORPS
AC0286	CAP	TAPA	KAPPE	BOUCHON
AC0287	SEAL	SELLO	DICHTUNG	JOINT
AC0292	SEAL	SELLO	DICHTUNG	JOINT
AC0293	CAP	TAPA	KAPPE	BOUCHON
BA0150	STOP	TOPE	PUFFER	ARRÊT
BA0167	VALVE ASSY	ASAMBLE DE VÁLVULA	VENTIL-ZUSAMMENBAU	VALVE D'ASSEMBLÉE
BC0434	GUIDE	GUÍA	FÜHRUNG	GUIDE
BC0435	INSERT	ACOPLAMIENTO	EINSATZ	INSERT
BC0436	DEFLECTOR	DESVIADOR	ABWEISER	DÉFLECTEUR
BC0438	SEAL	SELLO	DICHTUNG	JOINT
BC0439	CYLINDER	CILINDRO	ZYLINDER	CYLINDRE
BC0440	BUSHING	CASQUILLO	HÜLSE	DOUILLE
BC0441	BUMPER	AMORTIGUADOR	PUFFER	AMORTISSEUR
BC0442	SEAL	SELLO	DICHTUNG	JOINT
BF0257	RING	ANILLO	REIFEN	ANNEAU
CC0219	VALVE	VÁLVULA	VENTIL	VALVE
CC0220	VALVE	VÁLVULA	VENTIL	VALVE
CC0221	VALVE	VÁLVULA	VENTIL	VALVE
CC0222	CAP	TAPA	KAPPE	BOUCHON
EA0243	DRIVER ASSY	PERCUSOR	TREIBER	COUTEAU
FC0502	INSERT	ACOPLAMIENTO	EINSATZ	INSERT
FC0503	UPPER DOOR	PUERTA	ABDECKSCHIEBER	PORTE
FC0504	DOOR	PUERTA	ABDECKSCHIEBER	PORTE
FC0506	LATCH ASSEMBLY	ASAMBLE DE UÑETA	VERSCHLUSS-ZUSAMMENBAU	DOIGT DE RETENUE D'ASSEMBLÉE
FC0793	BACK PLATE	PLACA	PLATTE	PLAQUE
GC0976	SPRING	RESORTE	FEDER	RESSORT
GC0977	ROLLER	RODILLO	ROLLE	GALET
GC0978	FEEDER SHOE	ALIMENTADOR	NAGELSCHIEBER	POUSSOIR
GC0979	LATCH	UÑETA	VERSCHLUSS	DOIGT DE RETENUE
GC0980	MAGAZINE	CARGADOR	MAGAZIN	MAGASIN
GC0981	BRACKET	SOPORTE	HALTERUNG	SUPPORT DE FIXATION
GC0983	MAGAZINE CAP	TAPA	KAPPE	BOUCHON
HA0145	TRIGGER ASSEMBLY	ASAMBLE DE GATILLO	AUSLÖSER-ZUSAMMENBAU	GÂCHETTE D'ASSEMBLÉE
HA0148	TRIGGER ASSEMBLY	ASAMBLE DE GATILLO	AUSLÖSER-ZUSAMMENBAU	GÂCHETTE D'ASSEMBLÉE
HC0365	PIN	PASADOR	STIFT	GOUPILLE
HC0369	GUIDE	GUÍA	FÜHRUNG	GUIDE
HC0417	SAFETY ELEMENT	SEGURO	SICHERHEITSVORRICHTUNG	PALPEUR DE SÉCURITÉ
HC0418	COVER	CUBIERTA	ABDECKUNG	COUVERCLE
KB4338	SPRING	RESORTE	FEDER	RESSORT
KB4342	SPRING	RESORTE	FEDER	RESSORT
KB4372	SPRING	RESORTE	FEDER	RESSORT
KB4373	SPRING	RESORTE	FEDER	RESSORT
KB4374	SPRING	RESORTE	FEDER	RESSORT
KB9822	PIN	PASADOR	STIFT	GOUPILLE
KB9855	SCREW	TORNILLO	SCHRAUBE	VIS
KB9856	SCREW	TORNILLO	SCHRAUBE	VIS
KB9857	SCREW	TORNILLO	SCHRAUBE	VIS
KB9858	SCREW	TORNILLO	SCHRAUBE	VIS
KB9859	SCREW	TORNILLO	SCHRAUBE	VIS
KB9860	SCREW	TORNILLO	SCHRAUBE	VIS
KB9861	SCREW	TORNILLO	SCHRAUBE	VIS
KB9862	SCREW	TORNILLO	SCHRAUBE	VIS
KB9863	NUT	TUERCA	MUTTE	ÉCROU
KB9864	PIN	PASADOR	STIFT	GOUPILLE
KB9865	WASHER	ARANDELA	SCHEIBE	RONDELLE
KB9866	SCREW	TORNILLO	SCHRAUBE	VIS
KB9867	ROLLER PIN	PASADOR	STIFT	GOUPILLE
KC0865	RETAINER	RETÉN	SICHERUNGSRING	RETENUE
LB0932	SEAL	SELLO	DICHTUNG	JOINT
LB0933	SEAL	SELLO	DICHTUNG	JOINT
LB0934	SEAL	SELLO	DICHTUNG	JOINT
LB0935	SEAL	SELLO	DICHTUNG	JOINT
LB0937	SEAL	SELLO	DICHTUNG	JOINT
LB0938	SEAL	SELLO	DICHTUNG	JOINT
LB0939	SEAL	SELLO	DICHTUNG	JOINT
LB0940	SEAL	SELLO	DICHTUNG	JOINT
LB0941	SEAL	SELLO	DICHTUNG	JOINT
LB0984	SEAL	SELLO	DICHTUNG	JOINT
LB0986	SEAL	SELLO	DICHTUNG	JOINT
LB1022	SEAL	SELLO	DICHTUNG	JOINT