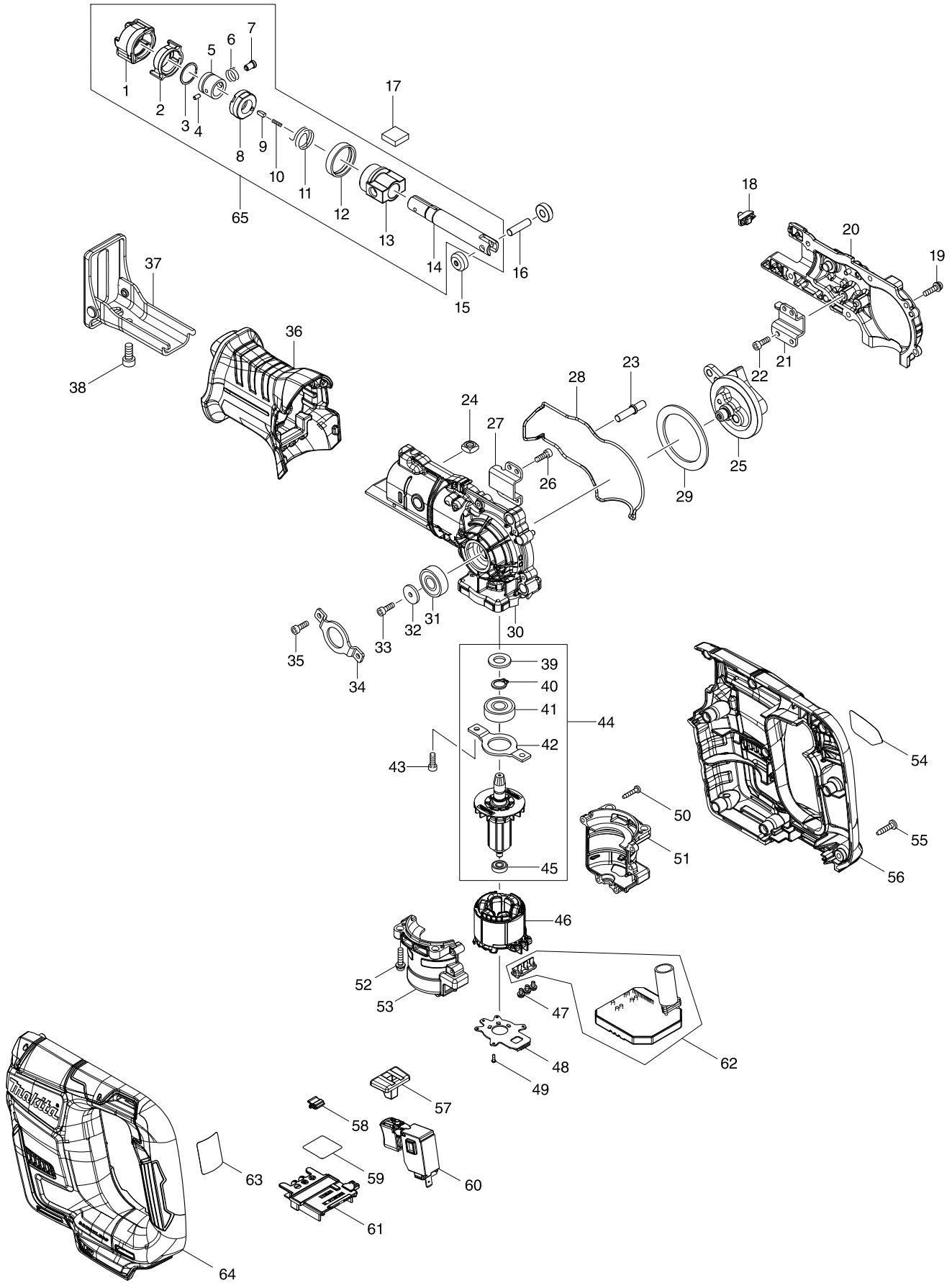


Model No. DJR188 CORDLESS RECIPRO SAW



Model No. DJR188 CORDLESS RECIPRO SAW

Item	Parts No.	Description	I/C	Qty	N/O	Opt. 1	Opt. 2	Note
001	422223-4	PROTECTOR		1				
002	310848-5	DRIVING SLEEVE		1				
003	257952-8	RETAINING RING (EXT) 18		1				
004	268094-3	PIN 3		1				
005	331720-8	GUIDE SLEEVE		1				
006	234381-2	COMPRESSION SPRING 6		1				
007	256569-4	SHOULDER PIN 5		1				
008	458113-5	CONNECTING SLEEVE		1				
009	310859-0	PUSH PIN		1				
010	233025-1	COMPRESSION SPRING 2		1				
011	233594-2	TORSION SPRING 17		1				
012	424762-0	RUBBER RING		1				
013	144012-4	SLIDER GUIDE COMPLETE		1				
C10	213151-2	OIL SEAL 14		1				
C20	213174-0	X RING 14		1				
014	161796-9	SLIDER		1				
015	310663-7	ROLLER		2				
016	268341-2	PIN 6		1				
017	424902-0	FELT 16X16		1				
018	620434-7	LED CIRCUIT		1				
019	911128-8	P.H.SCREW M4X16 WITH WR		6				
020	144809-1	GEAR HOUSING R COMPLETE		1				
021	347303-4	ROD GUIDE R		1				
022	265353-6	HEX. SOCKET HEAD BOLT M4X12		2				
023	256567-8	SHOULDER PIN 6-8		1				
024	252157-5	SQUARE NUT M6		1				
025	144806-7	GEAR COMPLETE		1				
026	265353-6	HEX. SOCKET HEAD BOLT M4X12		2				
027	347302-6	ROD GUIDE L		1				
028	422224-2	SEAL RING		1				
029	267336-2	FLAT WASHER 45		1				
030	144808-3	GEAR HOUSING L COMPLETE		1				
C10	213445-5	O-RING 26		1				
031	210059-1	BALL BEARING 6000DDW		1				
032	253400-5	FLAT WASHER 4		1				
033	265353-6	HEX. SOCKET HEAD BOLT M4X12		2				
034	285031-2	BEARING RETAINER 51		1				
035	265353-6	HEX. SOCKET HEAD BOLT M4X12		1				
036	422221-8	INSULATION COVER		1				
037	161795-1	SHOE		1				
038	265531-8	HEX.SOCKET HEAD BOLT M6X14		1				
039	422225-0	FELT RING 10		1				
040	961006-2	RETAINING RING S-10		1				
041	210059-1	BALL BEARING 6000DDW		1				
042	285032-0	BEARING RETAINER 55		1				
043	265353-6	HEX. SOCKET HEAD BOLT M4X12		2				
044	519457-9	ROTOR ASS'Y		1				
D10		INC. 39-42,45						

