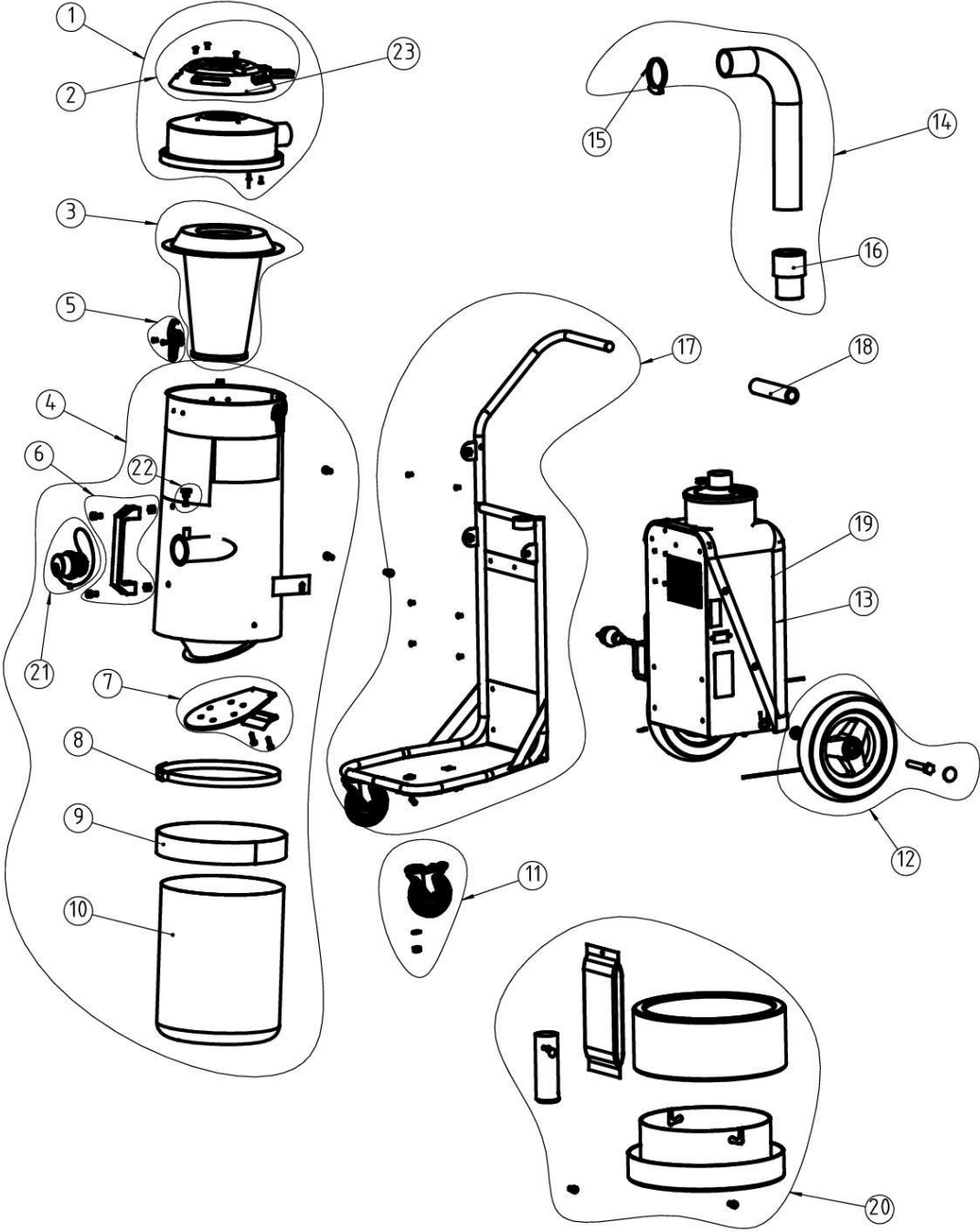


# S13 230 V, S13 120V



NUMBER	200900249	200900249a
MODEL	S13 230V	S13 120V
REV.	01	01

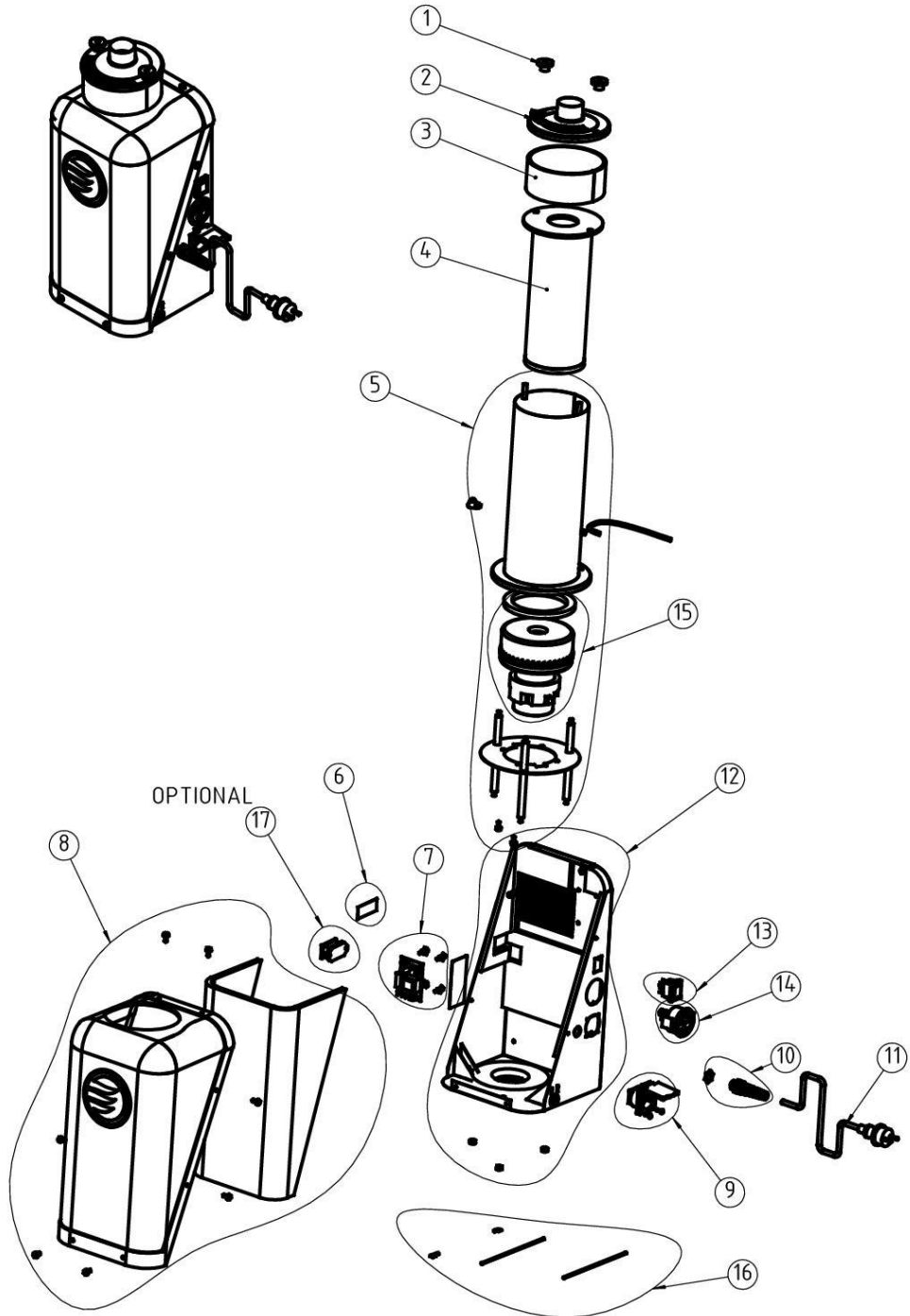
OPTIONAL

# S13 230 V, S13 120V

ITEM NO.	QTY.	PART NUMBER	DESCRIPTION
1	1	201000117	TOP COVER ASSEMBLY PACKING (ex.S13)
2	1	201000118	CLEAN UNIT KIT
3	1	201000016	FILTER
4	1	201000119	TANK COMPLETE (ex.S13)
5	3	200600799	HOLDER KIT
6	1	201000120	HANDLE KIT
7	1	201000116	FLAP ASSEMBLY KIT
8	1	201100140	BELT PACKING
9	1	201100141	ANTI-SKID PACKING
10	1	1276008	PLASTIC BAG 25PACK
11	1	200800152	FRONT WHEEL KIT
12	1	200800151	REAR WHEEL KIT
13	1	201100146	ENGINE PACK 230V PACKING
14	1	201000123	HOSE KET S13 PACKING
15	1	201100137	HOSE CLAMP60-65MM PACKING
16	1	201100125	HOSE END A51B PACKING
17	1	201000124	WAGON COMPLETE PACKING
18	1	201100138	HANDLE WAGON (ex. S13) PACKING
19	1	201100146a	ENGINE PACK 120V PACKING
20	1	201000115	LONGOPAC KIT PACKING
21	1	201000122	INLET SEAL COMPLETE SET PACKING
22	1	201100139	LOCKING DEVICE PACKING
23	1	201000670	TOP COVER KIT ex. CLEAN UNIT

Number	200900249	200900249a
Model	S13 230V	S13 120V
Rev.	01	01

# ENGINE PACKAGE 230 V



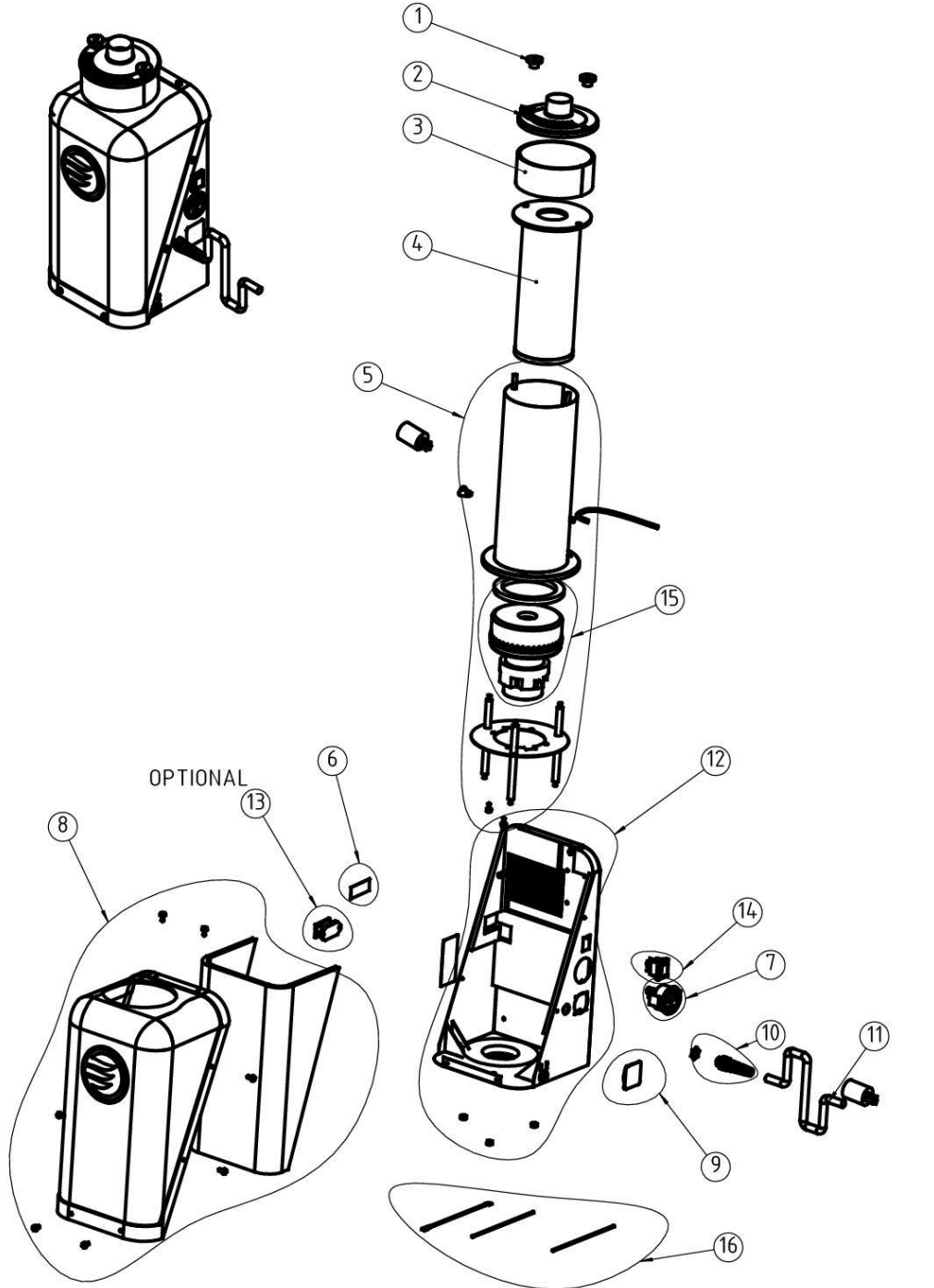
NUMBER	201100146
MODEL	ENGINE PACK 230V
REV.	A-02

# ENGINE PACKAGE 230 V

POS.	QTY	NUMBER	DESCRIPTION
1	2	201100128	KUNRLED THUMB NUT
2	1	201000121	FILTER COVER KIT
3	1	201100127	SEALING PACKING
4	1	200700070a	HEPA-FILTER
5	1	201100144	ENGINE TUBE KIT (WITH NIPPLE ) PACKING
6	1	201100129	COUNTER COVER PACKING
7	1	201000764	CIRCUIT BOARD KIT
8	1	200600482	ENGINE COVER, KIT
9	1	200600408	ELECTRICAL OUTLET KIT
10	1	201000141	CABLE FIX KIT (PG11)
11	1	201100132	CORD SET PACKING
12	1	201000134	CHASSI COMPLETE KIT
13	1	201100236	SWITCH PACKING
14	1	200700413	MANOMETER, KIT
15	1	200800060	MOTOR KIT 230V KIT
16	1	201100147	CABLE KIT (ex.S13)
17	1	201000133	COUNTER KIT (OPTIONAL S13)

Number	201100146
Model	ENGINE PACK 230V
Rev.	02

# ENGINE PACKAGE 120 V



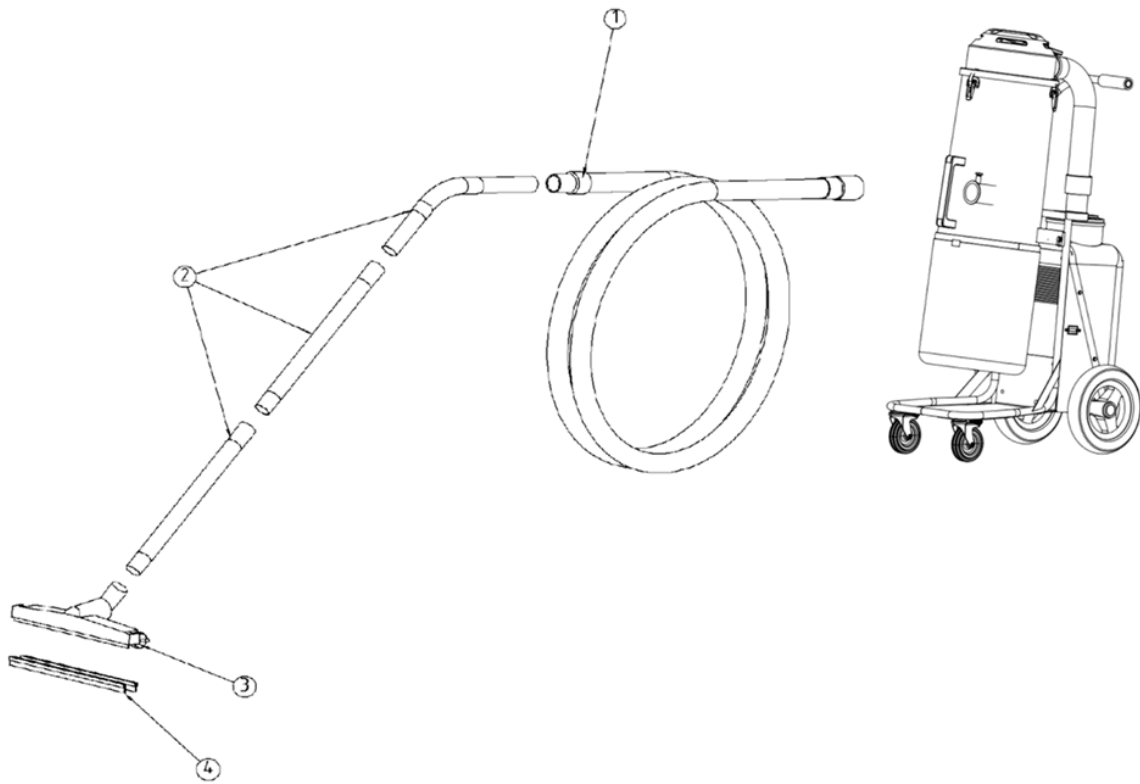
NUMBER	201100146a
MODEL	ENGINE PACK 120V
REV.	A-02

# ENGINE PACKAGE 120 V

POS.	QTY	NUMBER	DESCRIPTION
1	2	201100128	KUNRLED THUMB NUT
2	1	201000121	FILTER COVER KIT
3	1	201100127	SEALING PACKING
4	1	200700070a	HEPA-FILTER
5	1	201100144a	ENGINE TUBE KIT (WITH NIPPLE ) PACKING US
6	1	201100129	COUNTER COVER PACKING
7	1	200700413	MANOMETER, KIT
8	1	200600482	ENGINE COVER, KIT
9	1	201100148	COVER 45MM
10	1	201100150	CABLE FIX KIT (PG13)
11	1	201100149	CORD SET 120V PACKING
12	1	201000134	CHASSI COMPLETE KIT
13	1	201000133	COUNTER KIT (OPTIONAL S13)
14	1	201100151	SWITCH PACKING 120V
15	1	200800227	MOTOR KIT 120V 1200W KIT
16	1	201100147	CABLE KIT (ex.S13)

Number	201100146a
Model	ENGINE PACK 120V
Rev.	02

# ACCESSORIES S13 230 V, S13 120 V



POS.	QTY	NUMBER	DESCRIPTION	
1	1	200900281	HOSE 38mm x 4m	
2	1	6324034	KC004 SUCTION PIPE	
3	1	1326054	GRD370 FLOOR TOOL	
4	1	1340011	D370A RUBBER BLADES	