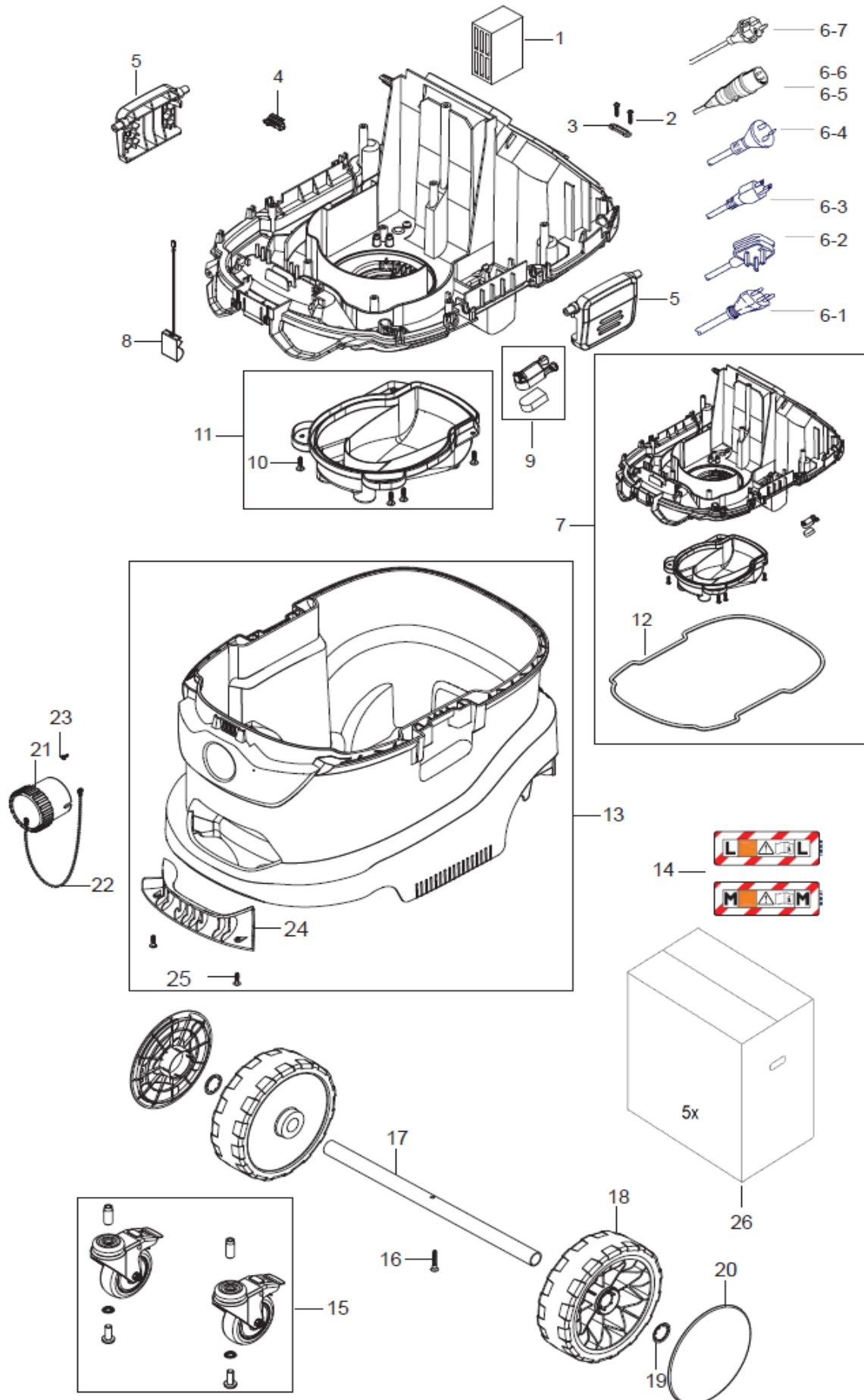


# Model No. VC4210 VACUUM CLEANER

## VC4210 container, base, cable

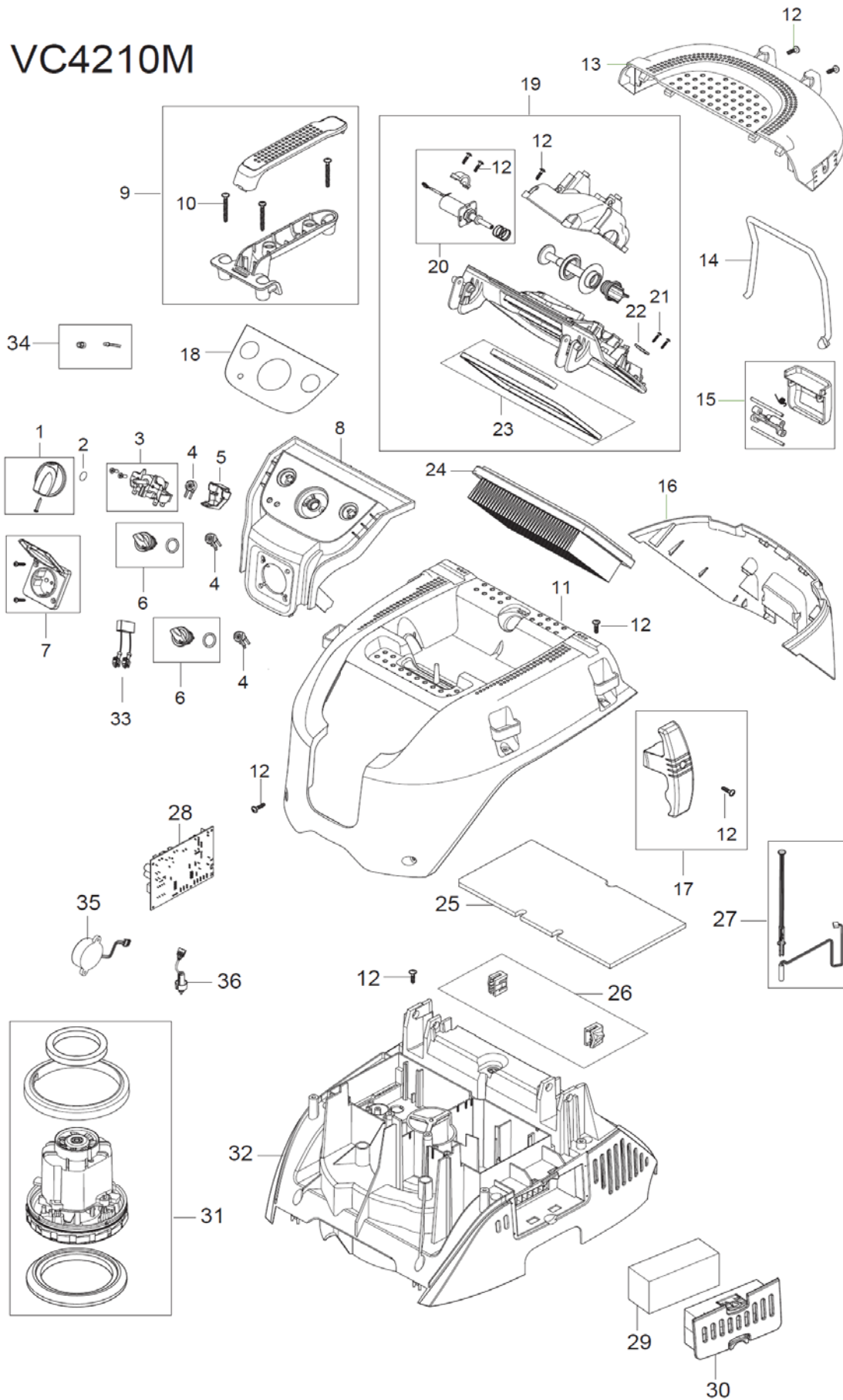


Model No. VC4210 VACUUM CLEANER  
 Container, base, cable

Pos. No.	Makita SP-No.	Description	Qty.
1	W107417112	Sound absorber 83X55X35	1
2	W302004032	Screw 3.5X18	2
3	W302004030	Straü for cable	1
4	W302004031	Distribution strip 6-pol. 16A	1
5	W107415053	Container clamp black	2
6-1	W107400267	Power cord *CH* - SEV-1011	1
6-2	W302001416	Power cord *GB* - BS-1363	1
6-3	W302004332	Power cord *US* - NEMA	1
6-4	W302004333	Power cord *AU* - AS-3112	1
6-5	W302000692	Power cord *GB* - CEE 3 Pol-110V - 16A	1
6-6	W107400271	Power cord *GB* - CEE 3 Pol-110V - 32A	1
6-7	W107400573	Power cord *EU* - CEE7/7	1
7	W107415074	Base plate assembly kit	1
8	W107417113	Contact spring w. wire	1
9	W107415063	Floater with magnet	1
10	W1814614	PT-screw K50X18 T20 WN1451 - A2	4
11	W107415061	Air flow cover kit black	1
12	W107415050	Container sealing	1
13	W107418663	Makita container kit 42L	1
14	W302004200	Label dustclass L 130X44 PVC	1
14	W302004201	Label dustclass M 130X44 PVC	1
15	W107417573	Castor wheel D100 w. brake 2 pcs.	1
16	W107417864	Screw WN1423 K50X35 black T20	1
17	W302004022	Wheel axle	1
18	W107417121	Wheel D175 black	2
19	W47302	Clamping ring 28.6x20	2
20	W107418043	Wheel cap D145 black	2
21	W14775	Hose inlet plug 50mm (VC4210M)	1
22	W30081	Bead chain 150mm w. eyes	1
23	W24738	Screw KA35X 8 WN1411	1
24	W107417124	Handel inner for container 42L black	1
25	W302004029	Screw ,Ø5x18 TX20	2
26	W107418667	Makita VC4210 boxes 5 pcs.	0.2

Model No. VC4210M VACUUM CLEANER

VC4210M



## Model No. VC4210M VACUUM CLEANER

Pos. No.	Makita SP-No.	Description	Qty.
1	W909100222	Switch knob Makita blue	1
2	W9868	O-RING 10.2x2.5 NBR 70	1
3	W107415085	Rortary switch 5 Pos. 16A	1
4	W107415024	Potentiometer kit	3
5	W107415080	Cap for potentiometer	1
6	W107418673	Switch knob small	2
7	W302004034	Socket *EU* - CEE7/4	1
7	W107400057	Socket *GB* - 110V/10A	1
7	W302004336	Socket *GB* - BS-1363	1
7	W302004338	Socket *US,CA,MX* - NEMA	1
7	W107400059	Socket *CH* - SEV-1011	1
7	W302004339	Socket *AU* - AS-3112	1
8	W107418671	Makita Control panel VC4210M	1
9	W107418217	Handle kit black	1
10	W128500203	Screw K50X45 WN1451 SP	3
11	W107418665	Makita top cover VC4210	1
12	W302004029	Screw ,Ø5x18 TX20	17
13	W107418666	Makita hatch back door upper cover VC4210	1
14	W107415035	Cord strap for cable	1
15	W107415032	Hatch door clamp black	1
16	W107415029	Makiat hatch back lower cover VC4210	1
17	W107415083	Hose/cable hook black 1 pc.	2
18	W107418672	Makita control panel label VC4210M	1
19	W107415027	Hatch door frame w. sealing 220-240V	1
19	W107417859	Hatch door frame w. sealing 100-120V	1
20	W107415031	Solenoid kit 220-240V	1
20	W107415079	Solenoid kit 100-120V	1
21	W302004032	Screw Egot PT35X18WN5451	2
22	W5697	Strap 3X8X33	1
23	W107415090	Hatch door filter gasket kit	1
24	W107413540	Makita flat filter PTFE VC4210	1
25	W107417101	Foam sealing 298X148mm <sup>2</sup>	1
26	W107415075	Hatch door hinge snap 2 pcs.	1
27	W107415060	Reed sensor with applicator	1
28	W107417103	PCBA Auto on/off VC4210M 220-240V	1
28	W107417104	PCBA Auto on/off VC4210M 110-120V	1
29	W107415096	Diffusor VC4210 black	1
30	W107418669	Makita Cover for motor cooling filter	1
31	W107415055	Motor kit VC4210 1200W 220-240V 50/60HZ	1
31	W107415099	Motor kit VC4210 1000W 110-120V 50/60HZ	1
32	W107418670	Makita airguide VC4210	1
33	W107404542	Capacitor 0,1 µF	1
34	W107415087	LED air flow control kit 2 pcs.	1
35	W107416958	Buzzer kit VC4210M	1
36	W107416952	Flow sensor kit VC4210	1