

Pairing Procedure



(off)



(on)



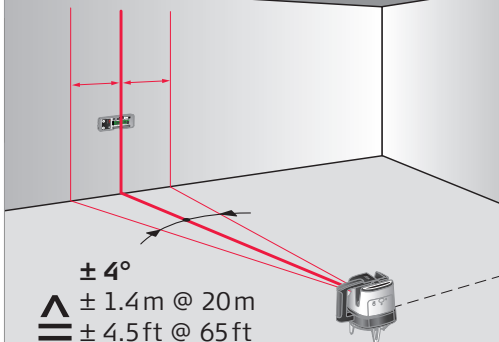
1x (on)

1x

→ LEDs 20 sec.



Smart Targeting/Auto Alignment



Receiver XCR Catch

On / Off

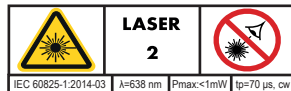
Beep

Sensitivity

Press 2 sec:
Smart Targeting

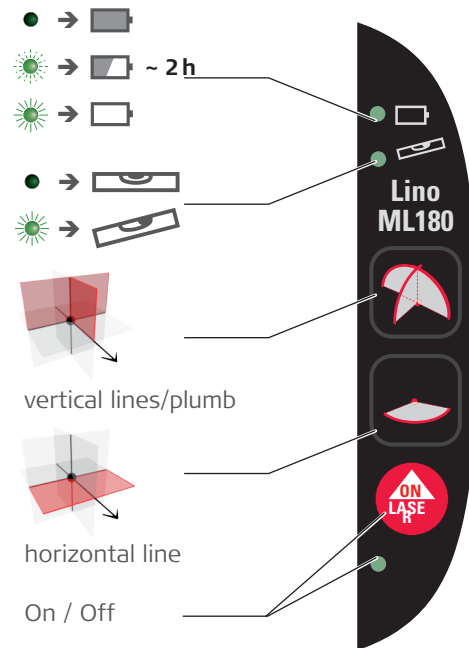
Short Press:
0° start position

Alignment
directions



www.leica-geosystems.com

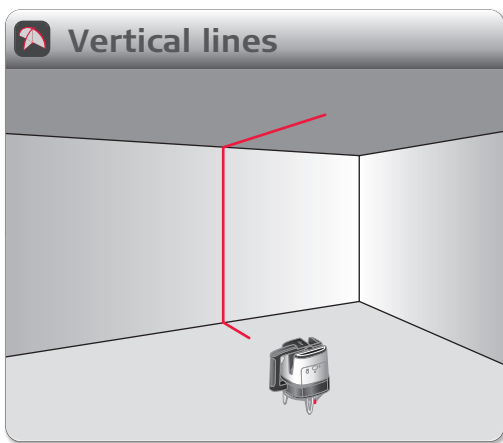
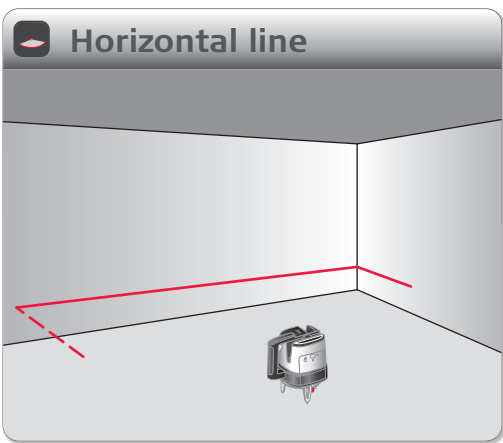
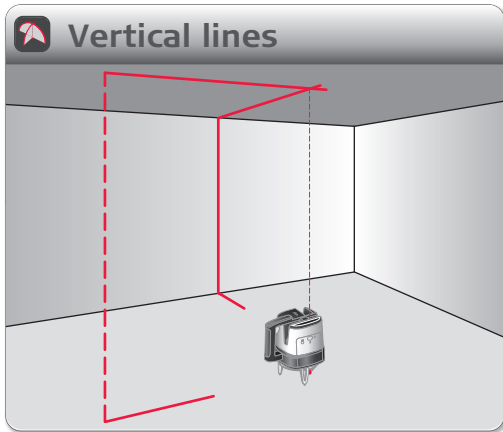
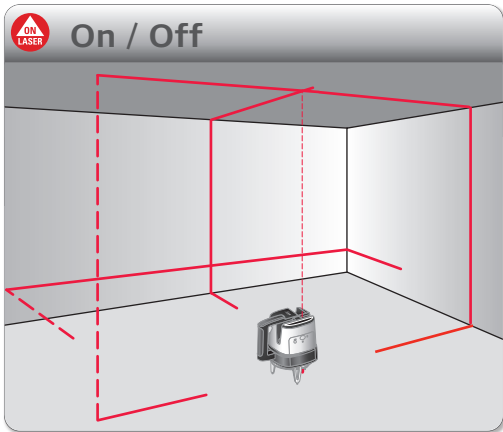
Quick Start Leica Lino ML180



SAP. No. 789146b

- when it has to be right

Leica
Geosystems



Press 1x = Plumb for 180 sec.

