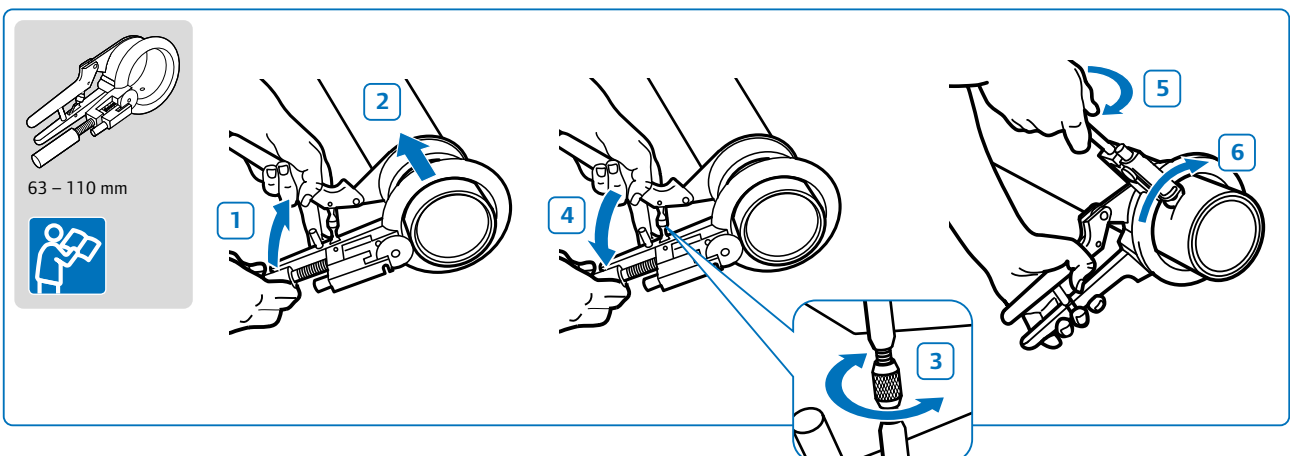
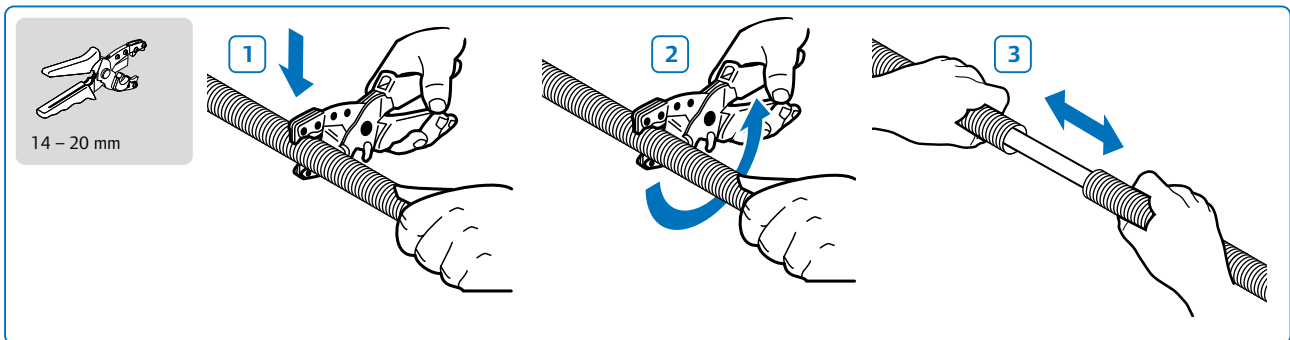
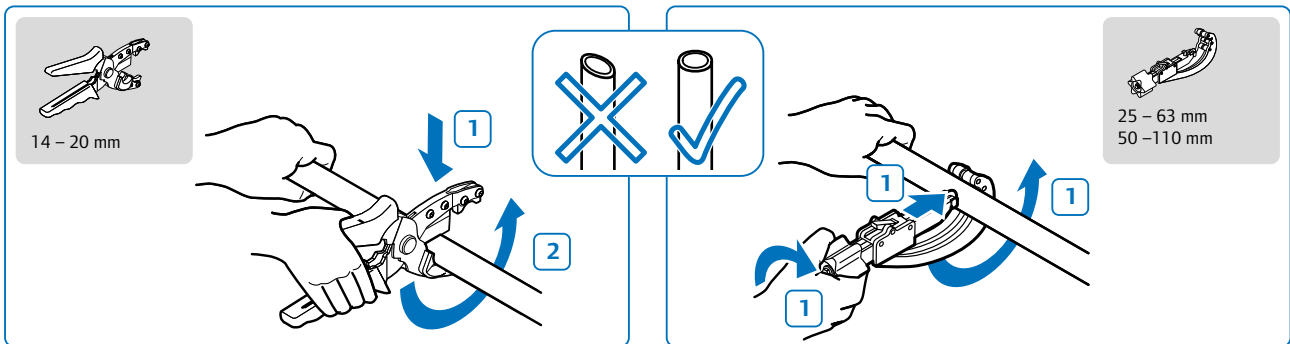


## Mounting instructions

### Uponor MLCP 14 – 110 mm





$d_a$ [mm]	$R_{min}$ [mm]
14	70
16	80
18	90
20	100
25	125
32	160

14 – 32 mm

$d_a$ [mm]	$R_{min}$ [mm]
14	56
16	64
18	72
20	80
25	100
32	128

14 – 25 mm

$d_a$ [mm]	$R_{min}$ [mm]
14	56
16	64
18	72
20	80
25	100

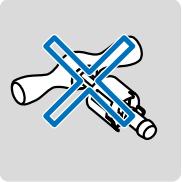
16 – 32 mm

$d_a$ [mm]	$R_{min}$ [mm]
16	46
18	52
20	60
25	75
32	100

$$\Delta l \text{ [mm]} = \Delta\theta \text{ [K]} \times 0,025 \left[ \frac{\text{mm}}{\text{m} \times \text{K}} \right] \times L \text{ [m]}$$

$$BS \text{ [mm]} = 30 \times \sqrt{d_a \text{ [mm]} \times \Delta l \text{ [mm]}}$$

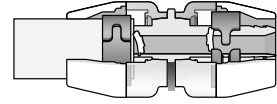
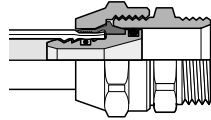




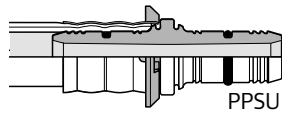
14 - 32 mm



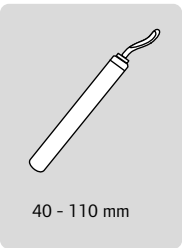
14 - 25mm



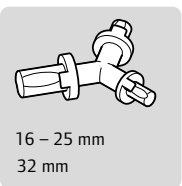
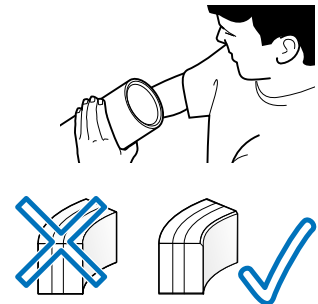
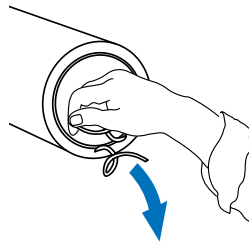
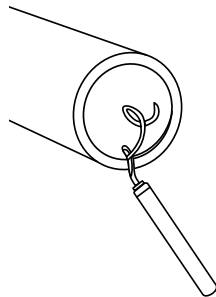
16 - 32 mm



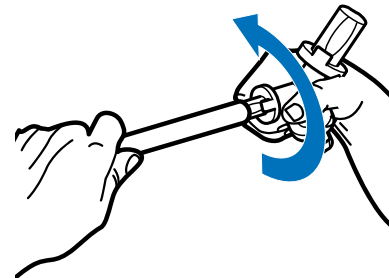
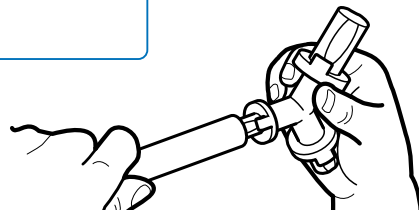
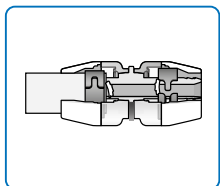
PPSU



40 - 110 mm



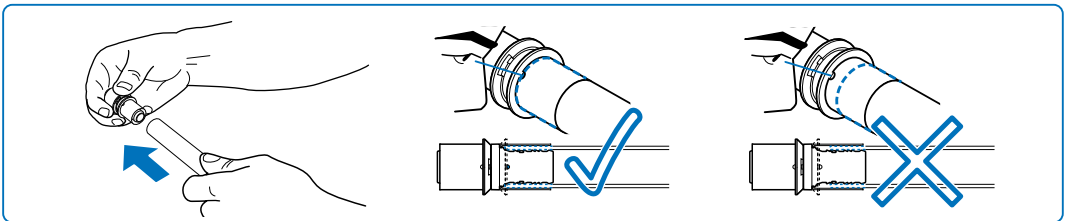
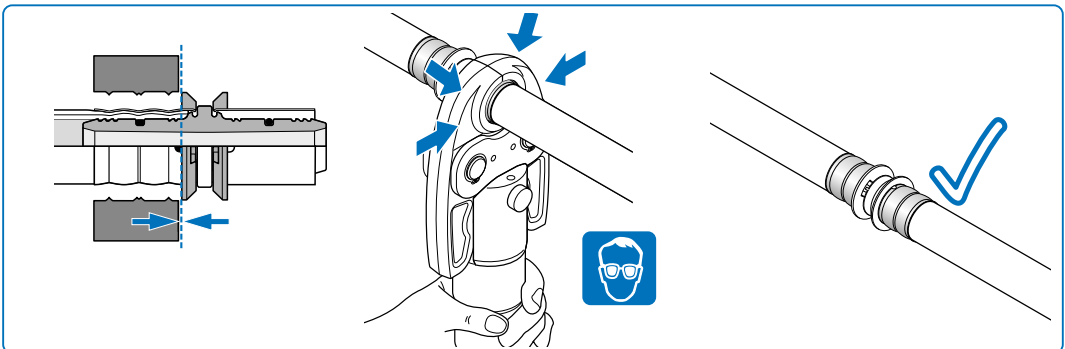
16 - 25 mm  
32 mm



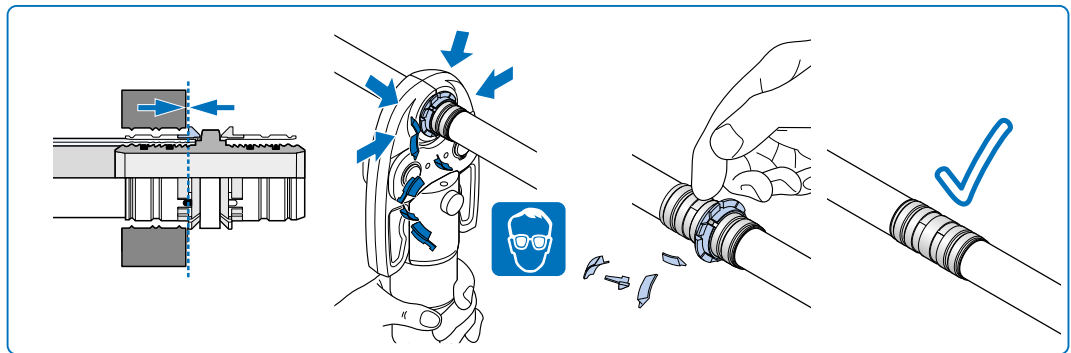
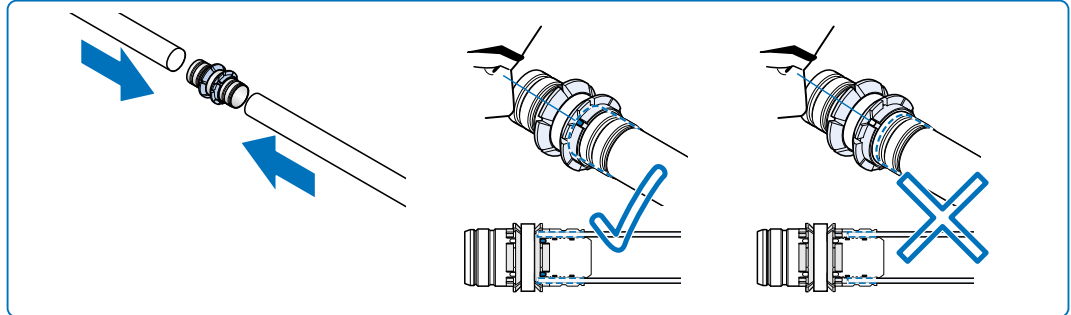


PPSU	14 - 20	16 - 32	40 - 50	-	16 - 32	-	-
	14 - 20	14 - 32	-	-	14 - 32	-	-
	-	-	40 - 50	-	-	-	-
	-					-	-
	-	16 - 32	40 - 50	63 - 110	25 - 32	-	-
	-	-	-	-	-	14 - 25	-
	-	-	-	-	-	-	16 - 32

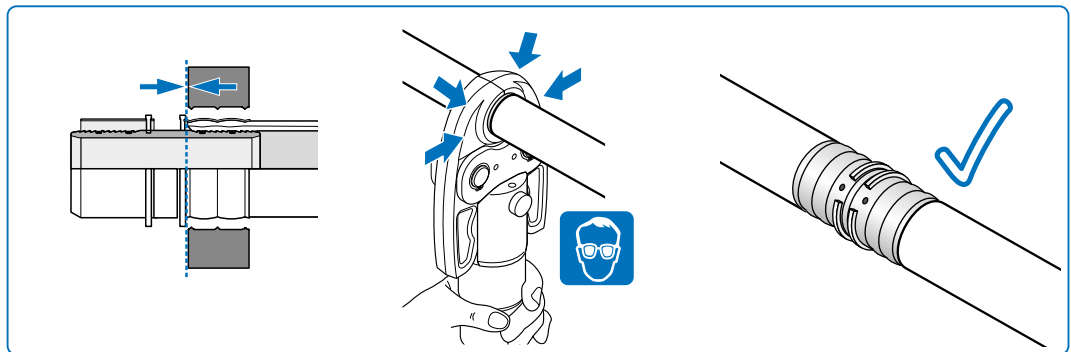
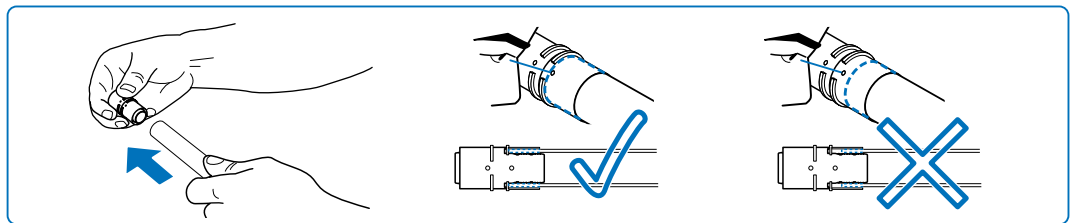
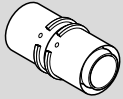
16 - 50 mm  
PPSU

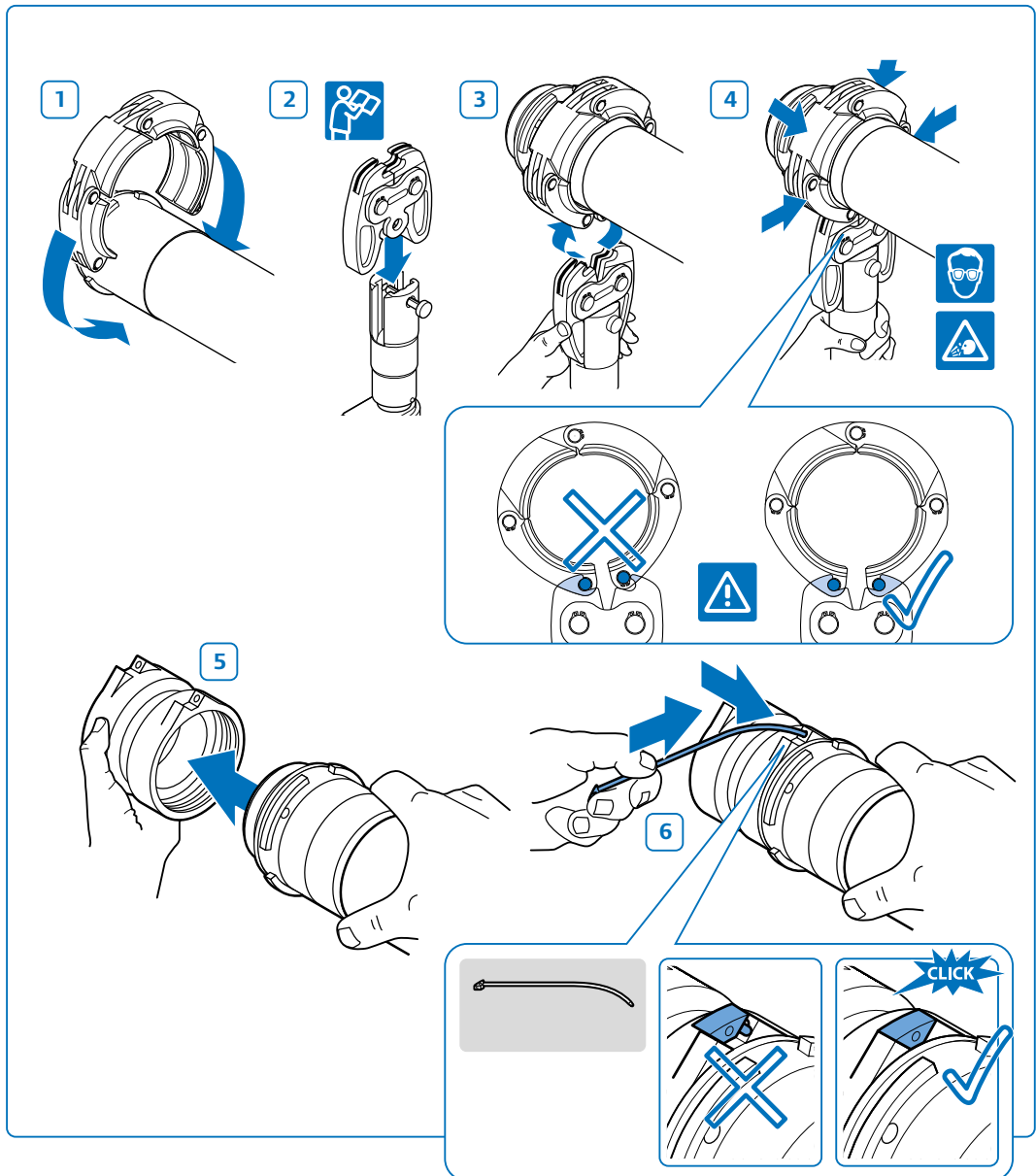
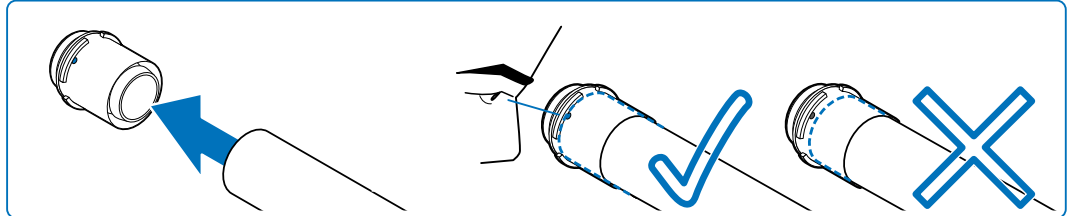
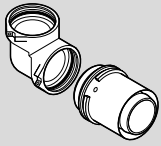
14 – 32 mm

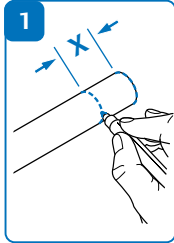


40 – 50 mm



63 – 110 mm



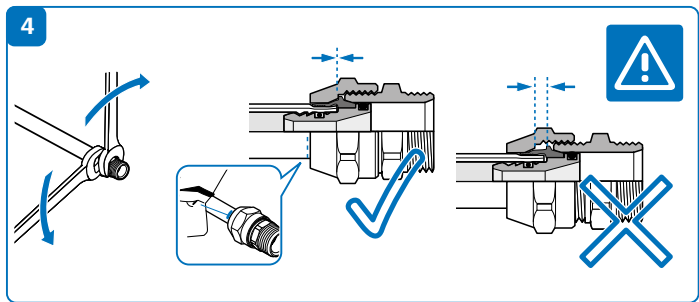
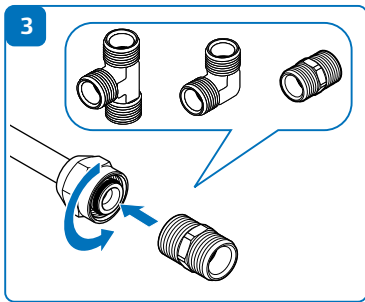
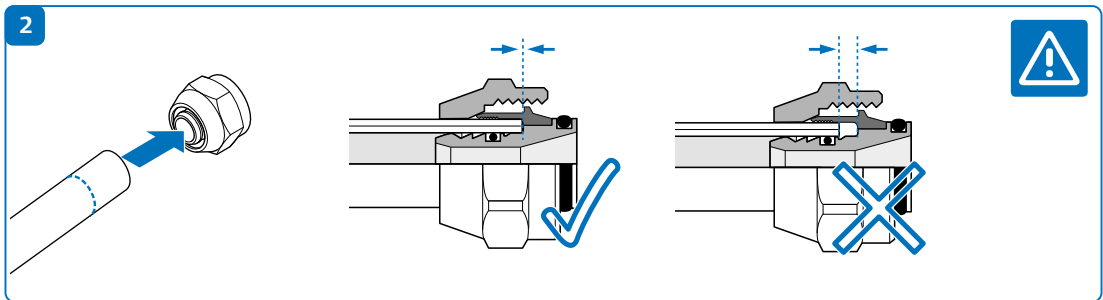


Fitting Dim.	X [mm]
14 – 1/2"	8
16 – 1/2"	8
18 – 1/2"	9
20 – 1/2"	10

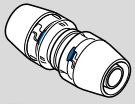
Fitting Dim.	X [mm]
14 – 3/4"	10
16 – 3/4"	10
18 – 3/4"	10
20 – 3/4"	10
25 – 3/4"	11

Fitting Dim.	X [mm]
NL 14 – 15 mm	8
NL 16 – 15 mm	8
NL 18 – 15 mm	10
NL 20 – 22 mm	10
NL 25 – 22 mm	14

Fitting Dim.	X [mm]
16 – M 22	9
16 – M 24	9
16 – 1/2" Geberit	9



16 – 32 mm



RTM

