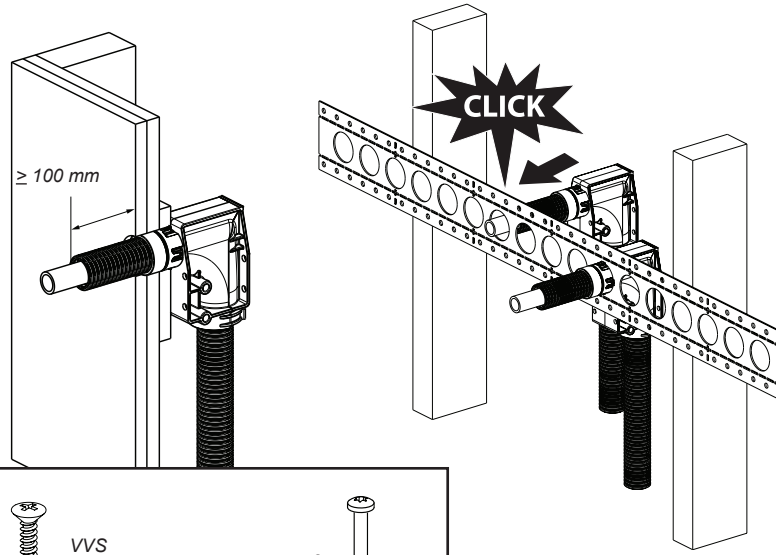
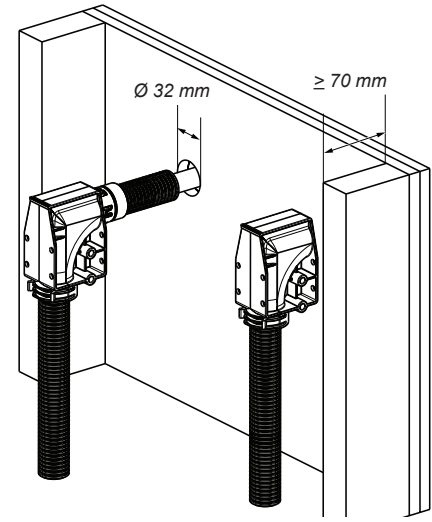
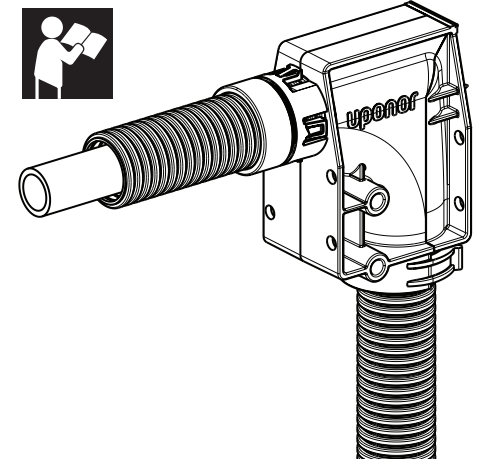
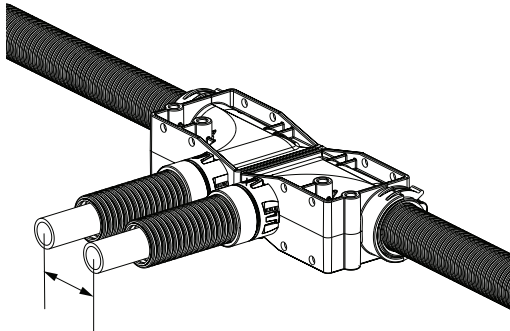
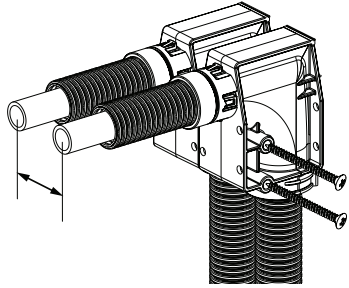
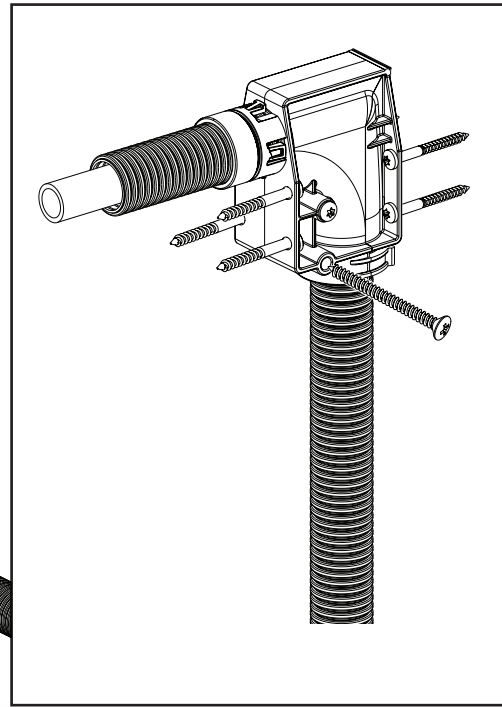
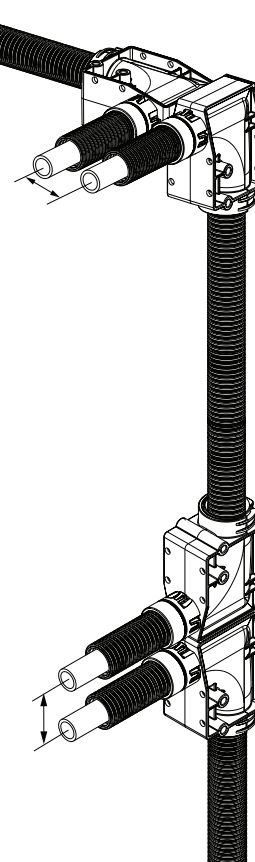
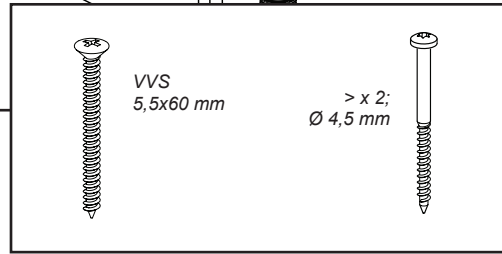


Uponor Smart Aqua PLUS wall bend support WBa 25/20



c/c 40 mm



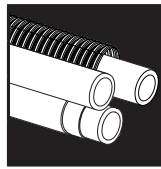
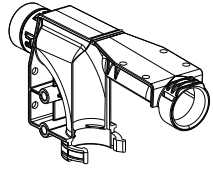
1092207_03/2018_EN

Uponor Corporation

www.uponor.com



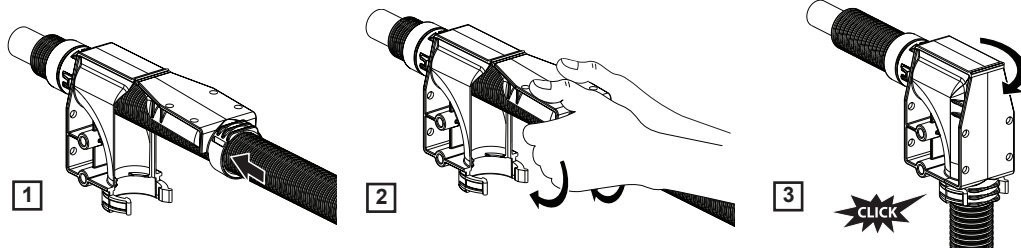
Uponor reserves the right to change specifications without prior notice. In keeping with our policy of continuous improvement and development.



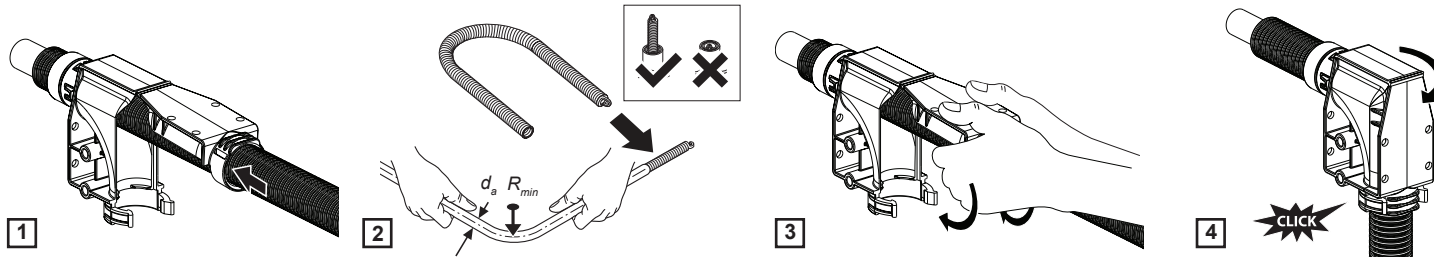
| | | | |
|---|-----------|-------------------------|------------|
| A | PE-Xa | Uponor Aqua Pipe | Ø 15-16 mm |
| | | Uponor Combi Pipe | Ø 15-16 mm |
| B | Composite | Uponor Composite PIP SP | Ø 16 mm |
| C | Conduit | Uponor Teck conduit | Ø 25/20 mm |



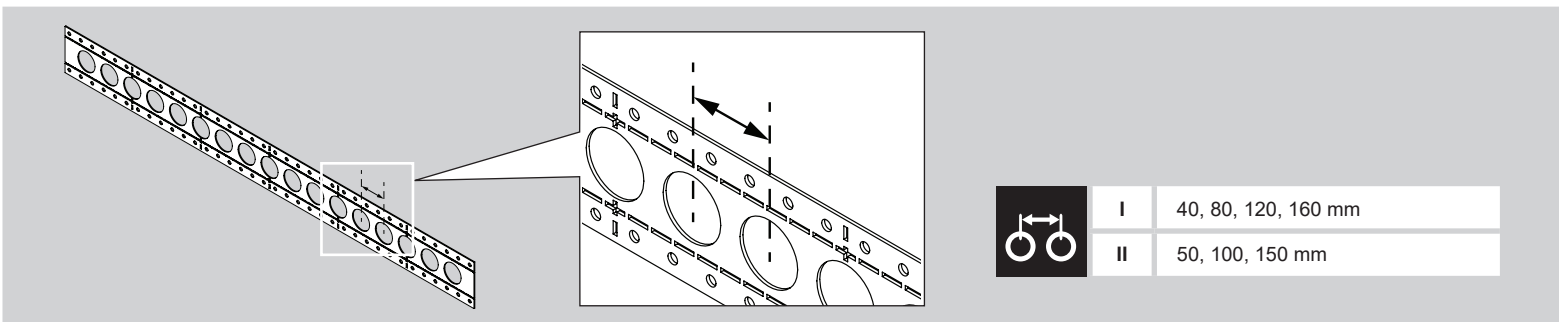
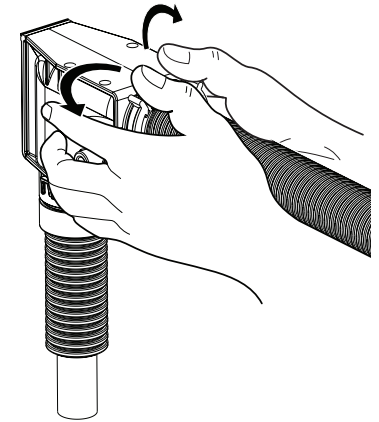
A



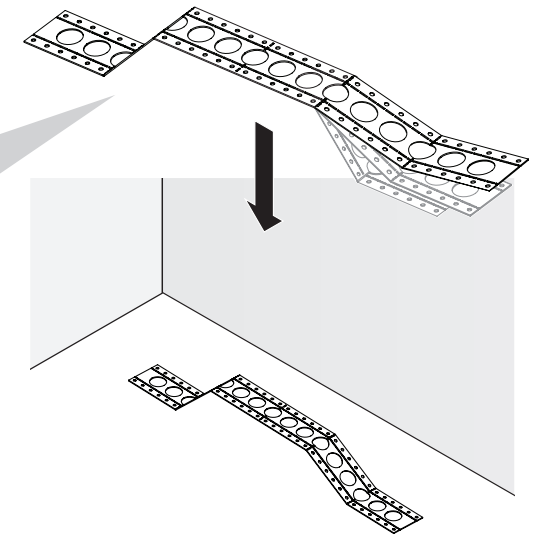
B



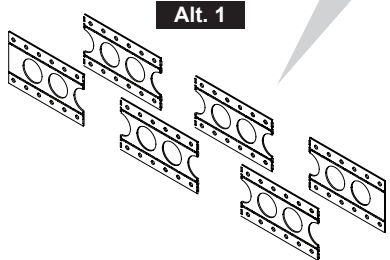
OPEN



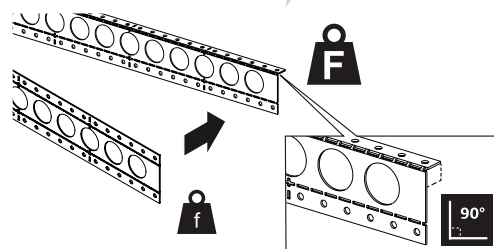
Alt. 4



Alt. 1



Alt. 2



Alt. 3

