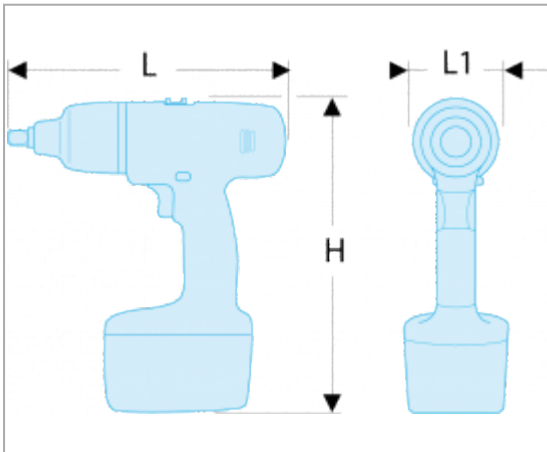


10.8V 1/2" COMPACT IMPACT WRENCH (NAKED) | CL3.C10SD



Description

- High yield mechanism delivers a torque of 270 Nm
- Compact and lightweight design makes this tool easy to use in tight spaces
- Integral LED with automatic timed switch-off
- Variable speed trigger for excellent speed control
- Protection bumpers built into the machine casing
- Composite casing resistant to chemicals and grease
- Compatible with any FACOM or DEWALT® 10.8V battery packs
- Separation torque 200Nm
- Impacts per minute 1900ipm
- Idle speed 1700rpm
- 3/8" male square drive
- Voltage 10.8V
- Battery capacity 2.0 Ah
- Vibration 11,1 m/s²/a
- Vibration 3 m/s²/a
- Acoustic pressure 88 dB(A)
- Noise level 99 dB (A)
- Supplied without batteries and charger
- Also available in 3/8" as CL3.C10J



Information

H [mm]	181
L [mm]	171
L1 [mm]	70
[kg]	1.0